

# REPAIR

# PARTS MANUAL

**Model F3554-300**



**11HP/38" Deck**

## HOW TO ORDER REPAIR PARTS

Only use a factory repair part. Repair parts, except for the engine or the transmission, are available from the store where the unit was purchased, a service shop recommended by the store, or an authorized service shop found in the yellow pages of the telephone directory.

If you cannot get a repair part or service as described above, call or write to the Central Parts Distributor shown on the back page of this manual or write: **Customer Service Department, Outdoor Power Equipment, PO Box 8000, Jackson, TN 38308, 1-800-247-7464.** Collect telephone calls will not be accepted. When you order, include the following information: 1- Complete Model Number (see nameplate), 2- Date of Manufacture, 3- Complete Part Number, 4- Description, and 5- Quantity.

Repair parts for the engine or the transmission are available from the manufacturer's authorized service center found in the yellow pages of the telephone directory. See the individual engine or transmission warranties.

- Read and keep this parts list book for future reference.
- This parts list book contains drawings and part numbers necessary to obtain repair parts.
- Record the following information about your unit. This information is necessary when ordering parts or in case of loss or theft.

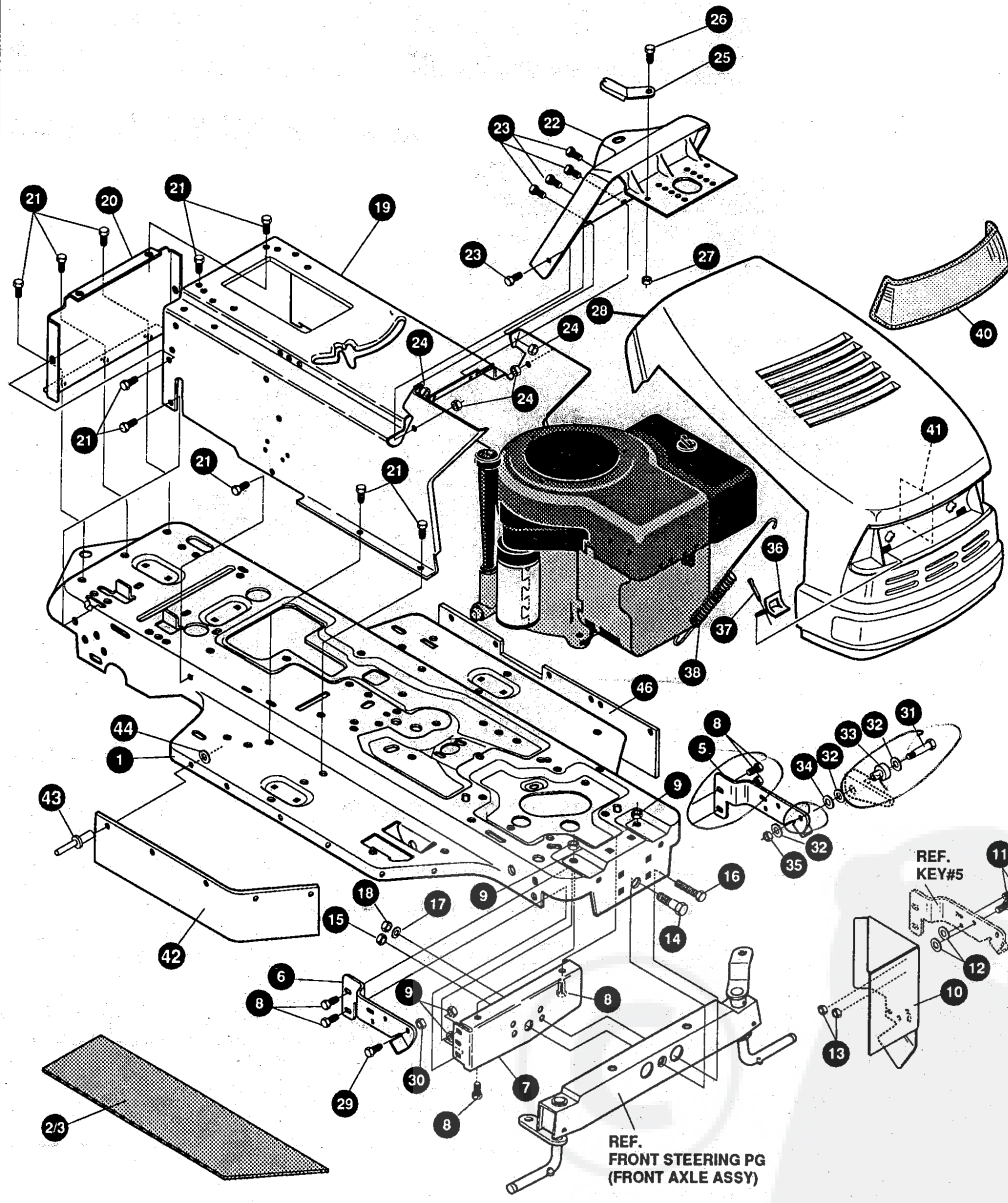
WHERE PURCHASED: \_\_\_\_\_

DATE PURCHASED: Month \_\_\_\_\_ Day \_\_\_\_\_ Year \_\_\_\_\_

MODEL NO.: \_\_\_\_\_ DATE OF MANUFACTURE: \_\_\_\_\_

# F3554-300

# REPAIR PARTS



**NOTE: ALWAYS USE ORIGINAL EQUIPMENT PARTS.**  
Use of service/replacement parts other than original equipment parts may void your warranty.

**ALL UNNUMBERED ITEMS ARE INTERCHANGEABLE WITH OPPOSITE SIDE**

332874 D

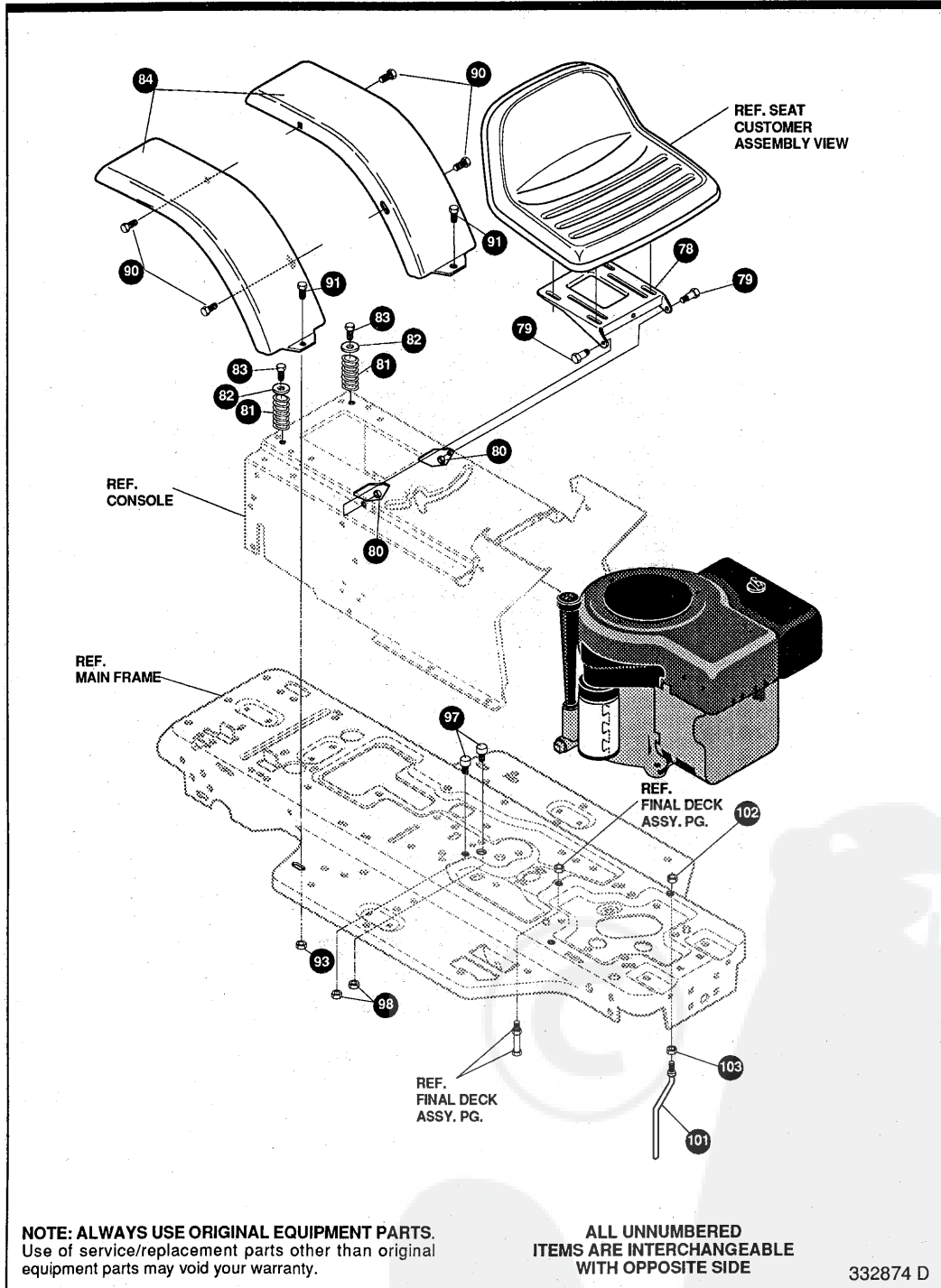
**F3554-300**

**CHASSIS & HOOD ASSEMBLY**

KEY#	PART#	DESCRIPTION	QTY
1	332319-860	MAIN FRAME .....	1
2	302916	FOOT PAD, RH SF WIDE .....	1
3	326732	FOOT PAD, LH SF WIDE .....	1
5	313001-853	BRACKET, GRILLE SUPPORT LH .....	1
6	313002-853	BRACKET, GRILLE RH .....	1
7	56362-853	BRKT, SUPPORT, FRONT AXLE .....	1
8	328154	SCREW, 5/16-18X1.0WDFLLK .....	6
9	55273	NUT, 5/16-18 WDFLLKLRG .....	6
10	312908-853	SHIELD, HEAT .....	1
11	180020	SCREW, 1/4-20X .75 HHC .....	2
12	311245	WASHER, FLAT.250X .75X INSULATE .....	2
14	29616	BOLT, .625X1.890 HSSH 1/2-20 .....	1
15	274654	NUT, 1/2-20 REGHXCTRLK .....	1
16	122201	SCREW, 3/8-16X2.75 HHC .....	2
17	2483	WASHER, .391DX1.25DX.07 BELLVIL .....	2
18	1499	NUT, 3/8-16 REGHXCTRLK .....	2
19	331796-860	CONSOLE .....	1
20	56235-860	CONSOLE, REAR COVER .....	1
21	995346	SCREW, 1/4-20X .50 WAHHTAP .....	15
22	320466-860	DASH .....	1
23	44811	SCREW, 1/4-20X .75 WAHHTAP .....	6
24	50352	NUT, 1/4-20 WDFLLK TOPLOCK .....	4
25	313021-853	GUIDE, HOOD .....	2
26	180020	SCREW, 1/4-20X .75 HHC .....	2
27	51335	NUT, 1/4-20 WDFLWHIZ-LK .....	2
28	12506	HOOD .....	1
29	56676	BOLT, .375X .580 HSSH 5/16-18 .....	1
30	1498	NUT, 5/16-18 REGHEXCTRLK .....	1
31	180042	SCREW, 1/4-20X1.75 HHC .....	1
32	120392	WASHER, FLAT .281X .63X.065 .....	3
33	309532	BEARING FLANGED PLASTIC HOOD .....	1
34	311245	WASHER, FLAT.250X .75X INSULATE .....	1
35	1502	NUT, 1/4-20 REGHEXCTRLK .....	1
36	310801	ANCHOR, HOODLANYARD .....	1
37	121222	PIN, COTTER .090 DIA X .75LG .....	1
38	304784	SPRING, HOOD LATCH .....	1
40	302670	LENS, HEADLAMP .....	1
41	301452	FOIL, HEAT REFLECTOR .....	1
42	305395	BELT GUARD SF RUBBER 7 X 25.46 .....	1
43	329238	RIVET, POP 3/16DIA X .75 LG FLG .....	12
44	1501	WASHER, FLAT .203X .56X.040 .....	12
46	333360	TUV BELTGUARD, PEDAL LIFT .....	1
	336752	OPERATOR'S MANUAL (GERMAN)	
	336708	PARTS MANUAL	

# F3554-300

# REPAIR PARTS

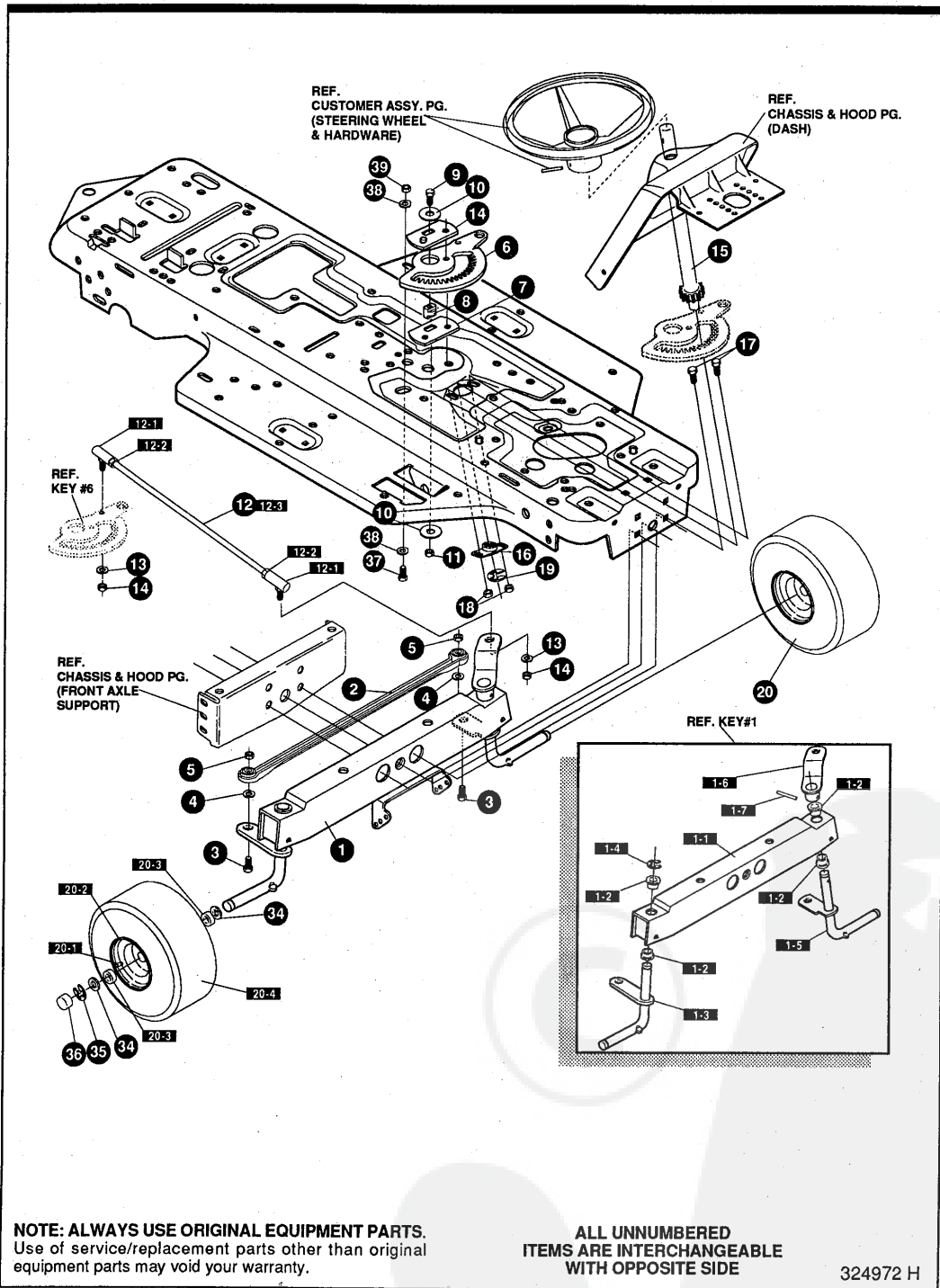


**F3554-300****CHASSIS & HOOD ASSEMBLY**

KEY#	PART#	DESCRIPTION	QTY
78	58367-860	PLATE,SEAT .....	1
79	20507	BOLT, 437X .156 HSH 5/16-18 .....	2
80	1498	NUT, 5/16-18 REGHEXCTRLK .....	2
81	330463	SPRING, SEAT 1.500X2.25LG .....	2
82	120392	WASHER, FLAT .281X .63X.065 .....	2
83	995346	SCREW, 1/4-20X .50 WAHTAP .....	2
84	43970-860	FENDER .....	2
90	995346	SCREW, 1/4-20X .50 WAHTAP .....	4
91	126216	BOLT, 5/16-18X .75 CARRLN .....	2
93	55273	NUT, 5/16-18 WDFLLKLRG WHIZ .....	2
97	53446	PIN, 5/16-18 HOOD LATCH .....	2
98	271184	NUT, 5/16-18 HEXKEPS .....	2
101	50653	GUIDE, BELT .....	1
102	41529	NUT, 3/8-16 HXCTRLKJAM .....	1
103	271190	NUT, 3/8-16 HEXKEPS .....	1

# F3554-300

# REPAIR PARTS



**F3554-300**

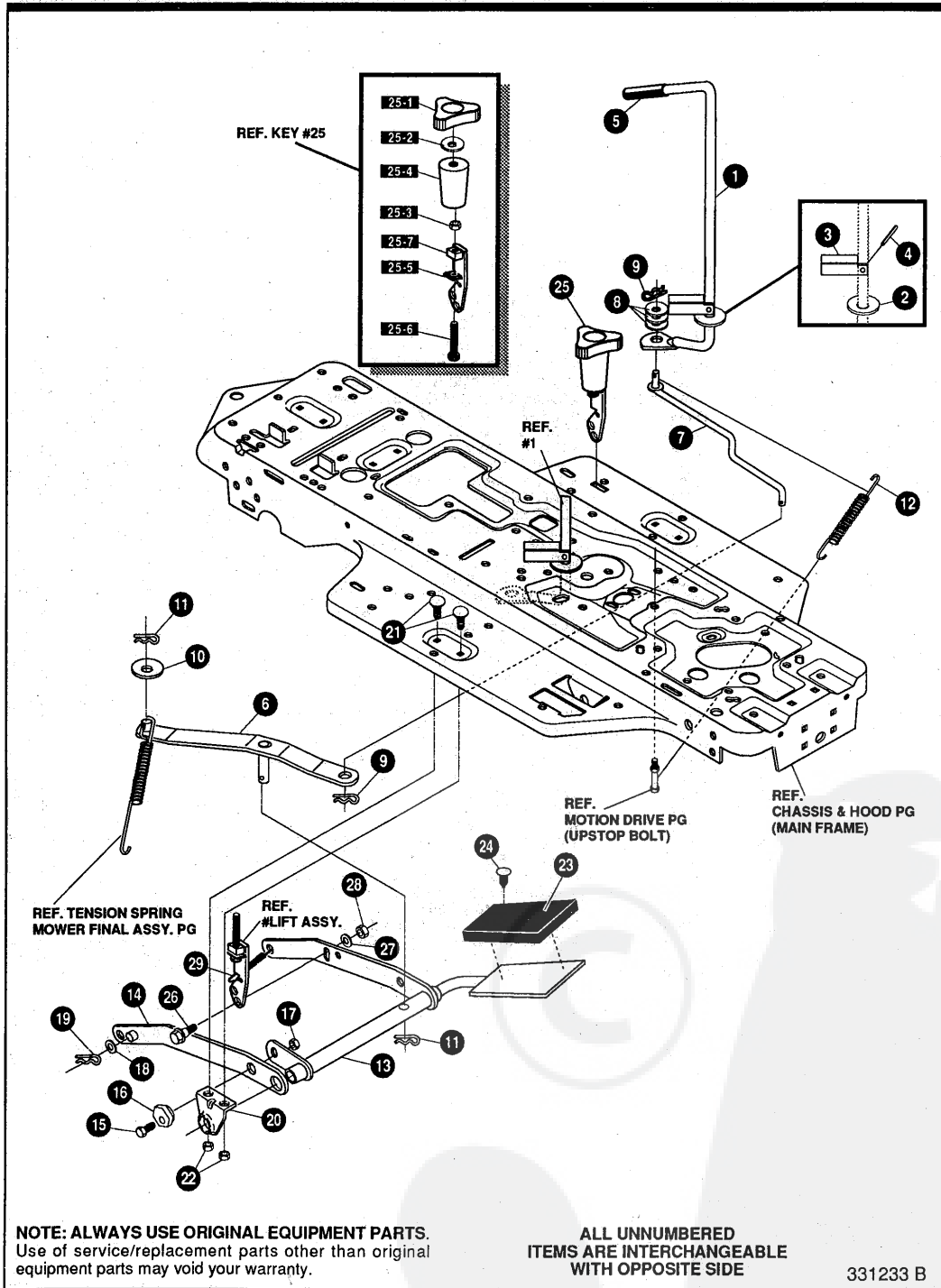
**STEERING ASSEMBLY**

KEY#	PART#	DESCRIPTION	QTY
1	*	AXLE, FRONT ASSEMBLY .....	1
1-1	324915-853	ASSEMBLY, FRONT AXLE .....	1
1-2	50546	BEARING, FLANGE .759 ID X 1.002 OD X .75 .....	4
1-3	310368	SPINDLE, ASSEMBLY, RH, LONG .....	1
1-4	36625	RING, RETEX .57 X .05 TRU 5133-75 .....	1
1-5	310367	SPINDLE, ASSEMBLY, LH, LONG .....	1
1-6	327619-853	ARM ASSEMBLY, FRONT STEERING .....	1
1-7	454565	PIN, SPRING .250 DIA X 1.25 LONG .....	1
2	302688	ASSEMBLY, TIE ROD, 19.31 LONG .....	1
3	180124	SCREW, 3/8-16 X 1.25 HHC .....	2
4	120382	WASHER, REGSPTLK .393 X .68 X .10 .....	2
5	1499	NUT, 3/8-16 REGHXCTRLK .....	2
6	327399	GEAR, SECTOR .....	1
7	333289	PLATE SECTOR .....	2
8	330021	BUSHING, SECTOR, GEAR .....	1
9	181643	SCREW, 3/8-24 X 1.50 HHC .....	1
10	845	WASHER, FLAT .390 X 1.25 X .119 .....	2
11	412349	NUT, 3/8-24 HXCTRLK .....	1
12	328808	DRAG LINK ASSEMBLY, 17.69 LONG .....	1
12-1	57158	BALL JOINT, 3/8 THD, SHORT STUD .....	2
12-2	124925	NUT, 3/8-24 REGHEXJAM .....	2
12-3	56190	DRAG LINK .....	1
13	120382	WASHER, REGSPTLK .393 X .68 X .10 .....	2
14	120369	NUT, 3/8-24 REGHEX .....	2
15	327834	SHAFT, PIN-STEER, BLACK .....	1
16	325692	BEARING, FLANGE .50 ID X 1.370 OD .....	1
17	326505	SCREW, 1/4-20 X .75 (TQ 30-35 FT#) .....	2
18	46931	NUT, 1/4-20 WDFL MAC-LOCK .....	2
19	20864	RING, RET E .39 X .04 TRU 5133-50 .....	1
20	302828	TIRE & RIM, PU 15 X 6.0 X 6 .....	2
20-1	24167	VALVE STEM	
20-2	39829	RIM, WHEEL	
20-3	314416	BEARING, FLANGE	
20-4	316702	TIRE, 15X6.0X6	
34	642	WASHER, FLAT .755 X 1.31 X .075 .....	4
35	36625	RING, RETEX .57 X .05 TRU 5133-75 .....	2
36	40394	HUB CAP, 1.500 ID X 7/8 LONG .....	2
37	180124	SCREW, 3/8-16 X 1.25 HHC .....	1
38	120394	WASHER, FLAT .406 X .81 X .065 .....	2
39	45171	NUT, 3/8-16 HWDFL WHIZ-LOCK .....	1

\* ORDER INDIVIDUAL PARTS - ASSEMBLY NOT AVAILABLE

# F3554-300

# REPAIR PARTS



**NOTE: ALWAYS USE ORIGINAL EQUIPMENT PARTS.**  
Use of service/replacement parts other than original equipment parts may void your warranty.

**ALL UNNUMBERED  
ITEMS ARE INTERCHANGEABLE  
WITH OPPOSITE SIDE**

331233 B



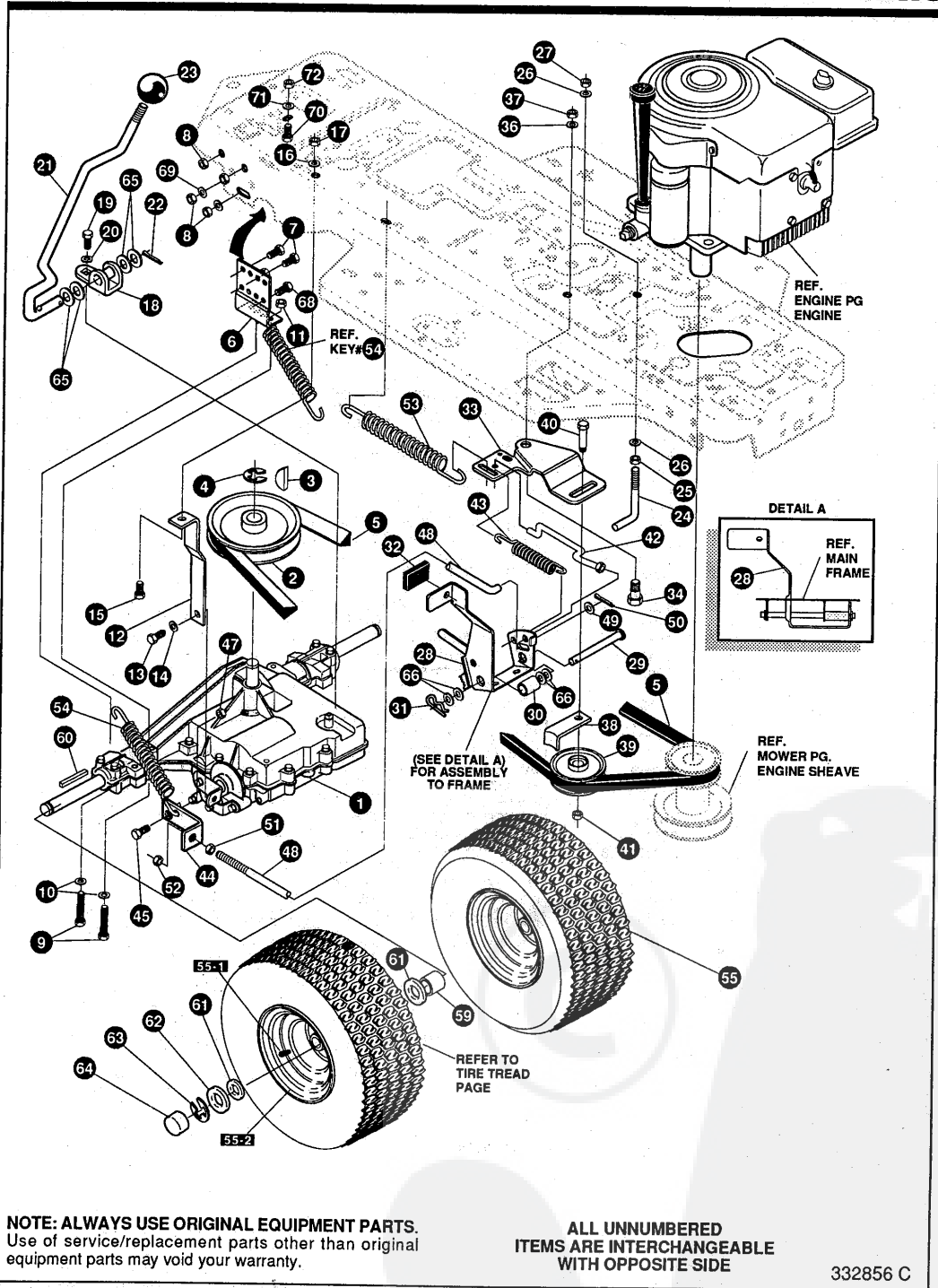
# F3554-300

# MOWER SUSPENSION ASSEMBLY

KEY#	PART#	DESCRIPTION	QTY
1	325591	LEVER, CLUTCH RH PTO .....	1
2	22265	WASHER, FLAT .515X1.38X.119PL .....	1
3	305225	STOP, PTO ENGAGE .....	1
4	326386	PIN, SPRING.187DIA X1.13LG HD .....	1
5	331624	KNOB, ROUND 1.50DIA OR GRIP .....	1
6	325587	STRAP ASSY, PTO BELCRANK .....	1
7	325590	ROD, BELCRANK LINK .....	1
8	274517	WASHER, FLAT .406X .73X.063 .....	3
9	8260	PIN, HAIR .091 DIA X1.66LG .....	2
10	25210	WASHER, FLAT .386X1.25X.09HT .....	1
11	8260	PIN, HAIR .091 DIA X1.66LG .....	2
12	325802	SPRING, .69X7.75X.0897TENSION .....	1
13	326533-853	LIFT ASSY, LH PEDAL-LIFT .....	1
14	325130-853	LIFT ASSY, RH .....	1
15	180079	SCREW, 5/16-18X1.00 HHC .....	1
16	58247	NUT, ADJUST .....	1
17	1498	NUT, 5/16-18 REGHEXCTRLK .....	1
18	417098	WASHER, FLAT .531X1.06X.063 .....	2
19	8260	PIN, HAIR .091 DIA X1.66LG .....	2
20	325495-853	BRACKET, REAR HANG SUSP .....	1
21	330967	BOLT, 5/16-18X1.00 CARR .....	4
22	1498	NUT, 5/16-18 REGHEXCTRLK .....	4
23	328596	PAD, LIFT PEDAL .....	1
24	309235	FASTENER, RATCHET BLACK .....	1
25	327934	ASSY LATCH SUS MOWER .....	1
25-1	325860	KNOB, FLUTED TORQUE .....	1
25-2	446363	WASHER, FLAT .375X .88X.082 .....	1
25-3	45905	NUT, 3/8-16 HWDFLK MACK .....	1
25-4	326113	COVER, TOP SLEEVE PEDAL-LIFT .....	1
25-5	324983	WASHER, RUBBER 3/8X.75SQ .....	1
25-6	325832	BOLT, SUS MOWER LATCH .....	1
25-7	325831-853	LATCH, SUS MOWER .....	1
26	25086	BOLT, .500X .375 HSSH 5/16-18 .....	1
27	4230	WASHER, FLAT .328X .68X.104 .....	1
28	1498	NUT, 5/16-18 REGHEXCTRLK .....	1
29	35410	SPRING .071 X .62 X 4.37 .....	1

# F3554-300

# REPAIR PARTS



**NOTE: ALWAYS USE ORIGINAL EQUIPMENT PARTS.**  
 Use of service/replacement parts other than original equipment parts may void your warranty.

**ALL UNNUMBERED ITEMS ARE INTERCHANGEABLE WITH OPPOSITE SIDE**

332856 C

**F3554-300**

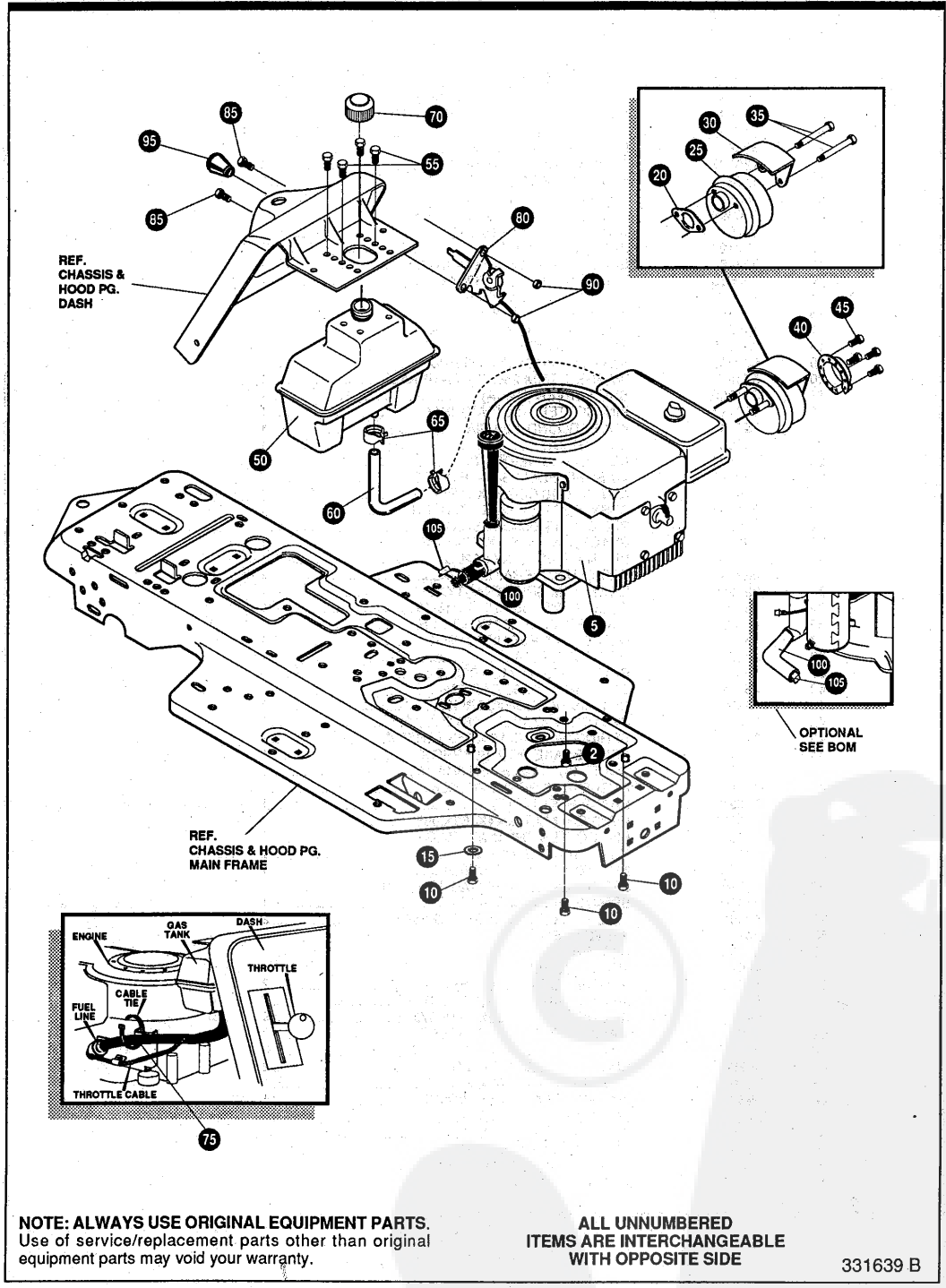
**MOTION DRIVE ASSEMBLY**

KEY#	PART#	DESCRIPTION	QTY
1	*	TRANSAXLE FOOTE 4360-5 .....	1
2	303109	PULLEY, 6.6 OD V4L T/A .....	1
3	50795	KEY, HI-PRO 606 .75DIAx.187WD .....	1
4	22053	RING, RETEX .58X.035TRU5100-62 .....	1
5	54758	BELT, V 4L 82.00 SF DRIVE .....	1
6	326615-853	BRACKET, TRANSAXLE .....	2
7	180077	SCREW, 5/16-18X .75 HHC .....	4
8	1498	NUT, 5/16-18 REGHEXCTRLK .....	8
9	180091	SCREW, 5/16-18X2.50 HHC .....	4
10	120393	WASHER, FLAT .344X .69X.065 .....	4
11	1498	NUT, 5/16-18 REGHEXCTRLK .....	4
12	323126	BRKT, STABILIZER .....	1
13	35498	SCREW, 5/16-18X .75 WAHHTAP .....	1
14	120638	WASHER, HVSPTLK 328X.60X.09 .....	1
15	180079	SCREW, 5/16-18X1.00 HHC .....	1
16	138485	WASHER, EXLK 320X.61X.03 .....	1
17	1498	NUT, 5/16-18 REGHEXCTRLK .....	1
18	335218	SHIFT BRACKET .....	1
19	56255	SCREW, 1/4-28X .75 NYLHHC .....	1
20	57157	WASHER, 750X.250 SP-TRANSAXLE .....	1
21	331800	SHIFT LEVER (DANA) .....	1
22	137185	PIN, COTTER .125 DIAx1.00LG .....	1
23	55514	KNOB, ROUND 1.50 DIA .....	1
24	49896	BELT GUIDE .....	1
25	271184	NUT, 5/16-18 HEXKEPS .....	1
26	120393	WASHER, FLAT .344X .69X.065 .....	2
27	1498	NUT, 5/16-18 REGHEXCTRLK .....	1
28	331836	ASSY, PEDAL, BRAKE, CLUTCH .....	1
29	319676	PIN, CLEVIS .500Dx4.87LG .....	1
30	331972	SPACER, SLEV .53 X .62X1.240 .....	1
31	56180	PIN, HAIR .091 DIAx1.62LG .....	1
32	48761	PAD, CLUTCH/BRAKE PEDAL .....	1
33	321969	IDLER ARM BRKT TRACTION .....	1
34	329989	BOLT, .625X .135 HSH 5/16-18 .....	1
36	45602	WASHER, FLAT .333X .87X.119 .....	1
37	1498	NUT, 5/16-18 REGHEXCTRLK .....	1
38	39659	RETAINER, BELT .....	1
39	35374	PULLEY, IDLER V4L 3.06X .62 .....	1
40	45892	BOLT, 3/8-16X1.50 CARRSN .....	1
41	1499	NUT, 3/8-16 REGHXCTRLK .....	1
42	333175	CLUTCH ROD ASSY, 268 DIA 3.92 .....	1
43	326780	SPRING, 3/8ODx2.18 X.055 TENSION .....	1
44	323127	BRKT, BRAKE ROD BLKPHOS .....	1
45	20507	BOLT, .437X .156 HSH 5/16-18 .....	1
47	1498	NUT, 5/16-18 REGHEXCTRLK .....	1
48	323222	BRAKE ROD, RIDER .....	1
49	120393	WASHER, FLAT .344X .69X.065 .....	1
50	121222	PIN, COTTER .090 DIAx .75LG .....	1
51	271184	NUT, 5/16-18 HEXKEPS .....	1
52	44108	NUT, 5/16-18 HWDFLCTRLK .....	1
53	327867	SPRING, 3/4 ODX7.75X.091 TENSION .....	1
54	35410	SPRING .071 X .62 X 4.37 .....	1
55	42090	TIRE & RIM, PU 18X6.5X8TURFWHI .....	2
55-1	24167	VALVE STEM .....	
55-2	36182	RIM, WHEEL .....	
	42091	TIRE, 18X6.5X8 .....	
59	57479	SPACER, SLEV .75 X1.25X1.32 .....	2
60	52928	KEY, SQUARE .187SQx2.25LG .....	2
61	642	WASHER, FLAT .755X1.31X.075 .....	4
62	42815	WASHER, FLAT .755X1.53X.07 .....	2
63	36625	RING, RETEX .57X.05TRU5133-75 .....	2
64	40394	HUB CAP, 1.500ID X 7/8LG .....	2
65	5950	WASHER, FLAT .505X .88X.13 .....	4
66	2968	WASHER, FLAT .504X .75X.059 .....	4
68	327917	SCREW, 5/16-18X1.50HHCFT .....	4
69	73787	WASHER, FLAT .330X .75X.1793 .....	4
70	180022	SCREW, 1/4-20X1.00 HHC .....	1
71	120380	WASHER, REGSPTLK 263X.49X.07 .....	1
72	120375	NUT, 1/4-20 REGHEX .....	1

\* SEE YOUR TRANSAXLE DEALER FOR PARTS AND SERVICE.

# F3554-300

# REPAIR PARTS



**NOTE: ALWAYS USE ORIGINAL EQUIPMENT PARTS.**  
 Use of service/replacement parts other than original  
 equipment parts may void your warranty.

**ALL UNNUMBERED  
 ITEMS ARE INTERCHANGEABLE  
 WITH OPPOSITE SIDE**

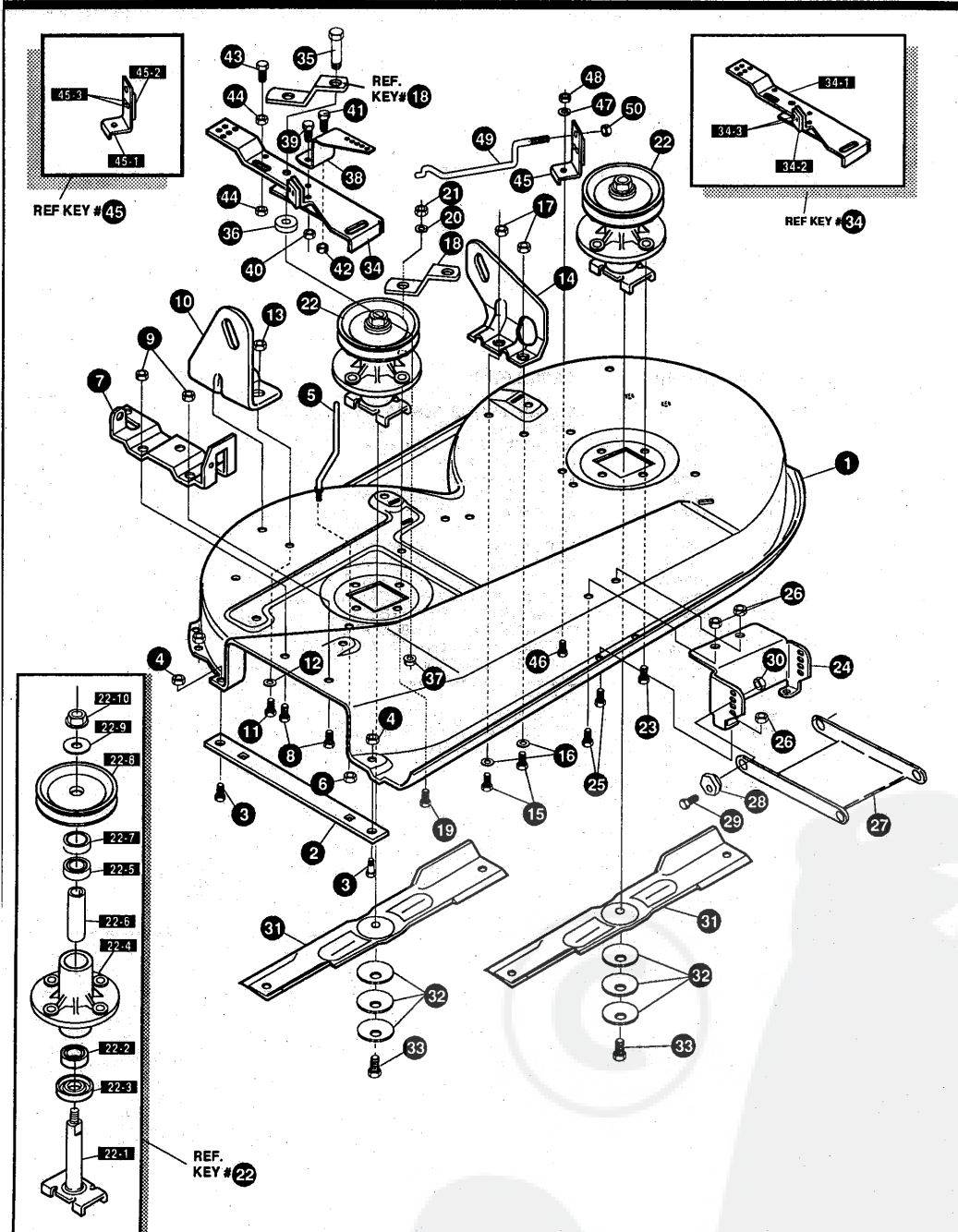
331639 B

KEY#	PART#	DESCRIPTION	QTY
5	*	ENGINE, 10-12HP, B&S, 3A .....	1
10	50947	SCREW, 3/8-16 X 1.25 WAHTAP, BLACK .....	4
15	138489	WASHER, EXLK .384 X .69 X .04 .....	1
20	46708	GASKET, MUFFLER .....	1
25	57908	MUFFLER, ROUND .....	1
30	54767	SHIELD, HEAT, FOR ROUND MUFFLER .....	1
35	54980	SCREW, 5/16-18 X 3.50 HHC .....	2
40	56472	DEFLECTOR SIDE OUT (BS222573) .....	1
45	35287	SCREW, #8-32 X .38 HHWATAP .....	4
50	314989	TANK, FUEL, 1 GALLON, CLEAR .....	1
55	300303	SCREW, .25 X .75 X .51 HHWA, PLASTITE .....	4
60	42258	TUBING, .25 X .50 X BULK GAS LINE .....	12.0*
65	47345	CLAMP, HOSE SCREW TYPE .....	2
70	46704	CAP, GAS 1-1/2-7 THD, BLACK .....	1
75	57444	TIE, CABLE BLACK NYLON, 5.62 LONG .....	1
80	320031	THROTTLE CONTROL .....	1
85	274707	SCREW, 10-24 X .50 WAHMA .....	2
90	308459	NUT, #10-24 HXHDNYLK .....	2
95	50607	KNOB, ROUND THROTTLE, BLACK .....	1
100	325547	OIL DRAIN VALVE OR TUBE .....	1
105	327422	CAP OR PLUG FOR OIL DRAIN .....	1

\* SEE ENGINE MANUAL

# F3554-300

# REPAIR PARTS



**NOTE: ALWAYS USE ORIGINAL EQUIPMENT PARTS.**  
Use of service/replacement parts other than original equipment parts may void your warranty.

**ALL UNNUMBERED ITEMS ARE INTERCHANGEABLE WITH OPPOSITE SIDE**

336156 A

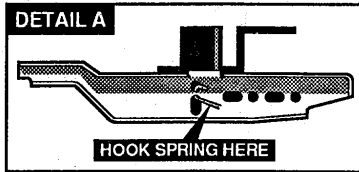
**F3554-300**

**PRE-PAINTED DECK ASSEMBLY**

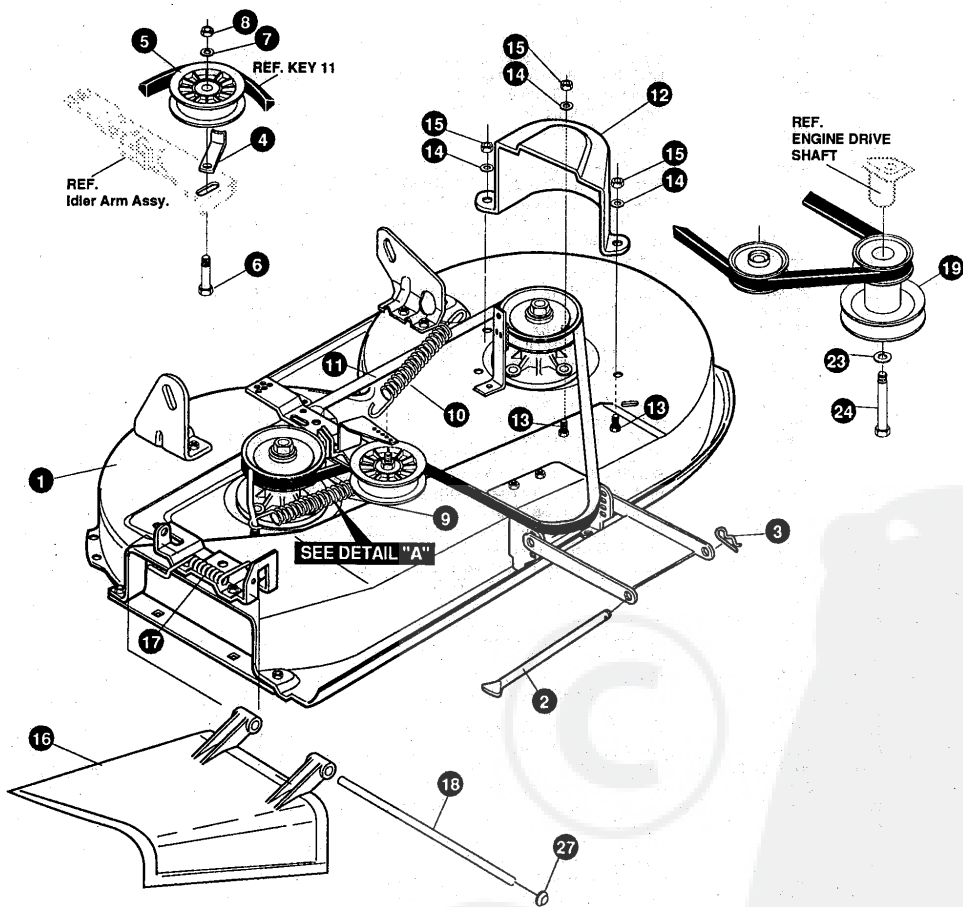
KEY#	PART#	DESCRIPTION	QTY
1	325106	39" DECK KIT .....	1
2	326295-853	BAR, SKID .....	1
3	126216	BOLT, 5/16-18X .75 CARRLN .....	2
4	271184	NUT, 5/16-18 HEXKEPS .....	2
5	57318	GUIDE, BELT 5/16-18 THD .....	1
6	1498	NUT, 5/16-18 REGHEXCTRLK .....	1
7	313928	BRACKET, CHUTE .....	1
8	180073	SCREW, 5/16-18X .50 HHC .....	2
9	1498	NUT, 5/16-18 REGHEXCTRLK .....	2
10	313929	BRACKET,RH LIFT REAR .....	1
11	180077	SCREW, 5/16-18X .75 HHC .....	2
12	120393	WASHER, FLAT .344X .69X.065 .....	2
13	1498	NUT, 5/16-18 REGHEXCTRLK .....	2
14	310667	BRACKET,LH LIFT REAR .....	1
15	180077	SCREW, 5/16-18X .75 HHC .....	2
16	120393	WASHER, FLAT .344X .69X.065 .....	2
17	1498	NUT, 5/16-18 REGHEXCTRLK .....	2
18	315302-853	BRACKET, IDLER SUPPORT .....	1
19	300345	SCREW, 5/16-18X1.38 WAHTAP .....	1
20	120393	WASHER, FLAT .344X .69X.065 .....	1
21	1498	NUT, 5/16-18 REGHEXCTRLK .....	1
22	56424-853	QUILL ASSY, 36/39/40/43 .....	1
22-1	56425	SHAFT/SADDLE 36" .....	1
22-2	49562	BRNG, BALL 6203-2AA-C3 ARMORED .....	1
22-3	50616	DUST SHIELD .....	1
22-4	55547	QUILL CASTING (1046) .....	1
22-5	49562	BRNG, BALL 6203-2AA-C3 ARMORED .....	1
22-6	50818	SPACER, SLEV .669X .88X3.797 .....	1
22-7	51449	SPACER, SLEV .672X .93X 438PM .....	1
22-8	313898	PULLEY,26/36" QUILL V5L .....	1
22-9	56365	WASHER, SPECIAL QUILL .....	1
22-10	1282	NUT, 7/16-20 WDFLLK .....	1
23	35498	SCREW, 5/16-18X .75 WAHTAP .....	7
24	312526	SUPPORT, LIFT DECK FRONT .....	1
25	180077	SCREW, 5/16-18X .75 HHC .....	4
26	1498	NUT, 5/16-18 REGHEXCTRLK .....	4
27	58305-853	BRACKET, LINK DECK FRONT .....	1
28	58247	NUT, ADJUST .....	2
29	180079	SCREW, 5/16-18X1.00 HHC .....	2
30	1498	NUT, 5/16-18 REGHEXCTRLK .....	2
31	309069	BLADE, 19.69 LOW-LIFT .....	2
32	2483	WASHER, 39IDX1.25DX.07 BELLVIL .....	6
33	39573	SCREW, 3/8-24X1.00 NYLHHC .....	2
34	300491-853	BRACKET, IDLER ARM/BRAKE .....	1
34-1	300490-853	IDLER ARM 36,38,39,845SD .....	1
34-2	306973	BRAKE PAD - HARD-NF343 (X-31) .....	1
34-3	41601	RIVET, OVSET .187DIA X .50LG ST .....	2
35	300180	BOLT, .50 X1.88 HSH 3/8-16 .....	1
36	996416	WASHER, FLAT .391X1.00X.125 .....	1
37	45171	NUT, 3/8-16 HWDFL WHIZ-LOCK .....	1
38	326249-853	BRACKET, EXTENSION IDLER .....	1
39	180077	SCREW, 5/16-18X .75 HHC .....	1
40	1498	NUT, 5/16-18 REGHEXCTRLK .....	1
41	180020	SCREW, 1/4-20X .75 HHC .....	1
42	1502	NUT, 1/4-20 REGHEXCTRLK .....	1
43	121954	SCREW, 1/4-20X2.00 HHC .....	1
44	271172	NUT, 1/4-20 REGHEXKEPS .....	2
45	303247	ASSY.BLADE BRAKE .....	1
45-1	303246-853	BRAKE ARM .....	1
45-2	306973	BRAKE PAD - HARD-NF343 (X-31) .....	1
45-3	135624	RIVET, TRSET .185DIA X .41LG ST .....	2
46	180077	SCREW, 5/16-18X .75 HHC .....	1
47	120393	WASHER, FLAT .344X .69X.065 .....	1
48	1498	NUT, 5/16-18 REGHEXCTRLK .....	1
49	300316	ROD, BRAKE RELEASE 14.7 39 DECK .....	1
50	1502	NUT, 1/4-20 REGHEXCTRLK .....	1

# F3554-300

# REPAIR PARTS



SEE DWG. 336156 FOR PART ASSY OF PAINTED DECK



**NOTE: ALWAYS USE ORIGINAL EQUIPMENT PARTS.**  
Use of service/replacement parts other than original equipment parts may void your warranty.

**ALL UNNUMBERED ITEMS ARE INTERCHANGEABLE WITH OPPOSITE SIDE**

336158 A



**F3554-300**

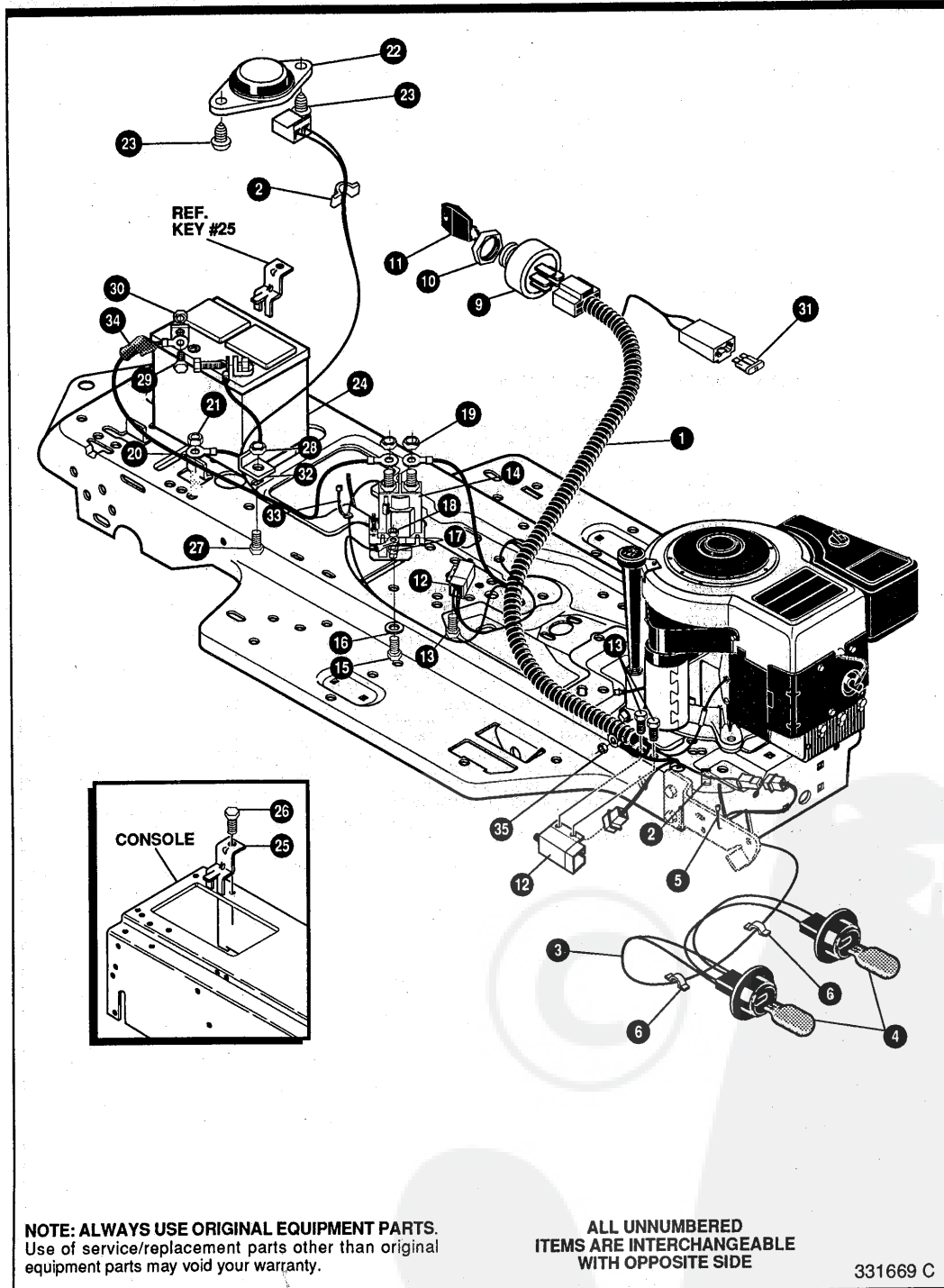
**FINAL DECK ASSEMBLY**

KEY#	PART#	DESCRIPTION	QTY
1	*	DECK, MOWER 39"SD .....	1
2	58306	ROD, DECK HITCH Z-PL .....	1
3	8260	PIN, HAIR .091 DIA X 1.66LG .....	1
4	1346	RETAINER, BELT .....	1
5	310326	PULLEY, IDLER BFF 4.00 WIDE FL .....	1
6	57325	BOLT, 3/8-16X2.00 CARRSN .....	1
7	120382	WASHER, REGSPTLK.393X.68X.10 .....	1
8	120377	NUT, 3/8-16 REGHX .....	1
9	322064	SPRING, .75X8.4X.105 TENSION .....	1
10	326256	SPRING, .75X10.0X.105 TENSION .....	1
11	300680	BELT, V 5L 77.75 KEVLAR .....	1
12	328257	GUARD, BELT LH PLASTIC .....	1
13	180077	SCREW, 5/16-18X .75 HHC .....	3
14	120393	WASHER, FLAT .344X .69X.065 .....	3
15	1498	NUT, 5/16-18 REGHEXCTRLK .....	3
16	57818	CHUTE DEFLECTOR 36", 39", 45" .....	1
17	314975	SPRING, TORSION CHUTE DEFLECTOR .....	1
18	334908	KIT PIVOT ROD, CHUTE .....	1
19	328034	PULLEY, ENG V3L 4.00 OFFSET .....	1
23	120383	WASHER, REGSPTLK.459X.78X.12 .....	1
24	433146	SCREW, 7/16-20X4.25 HHC .....	1
25	180128	SCREW, 3/8-16X1.75 HHC .....	1
26	1499	NUT, 3/8-16 REGHXCTRLK .....	2
27	332179	CAP, PUSH ON, FOR DIA .250 ROD .....	1

\* ORDER INDIVIDUAL PARTS.

# F3554-300

# REPAIR PARTS

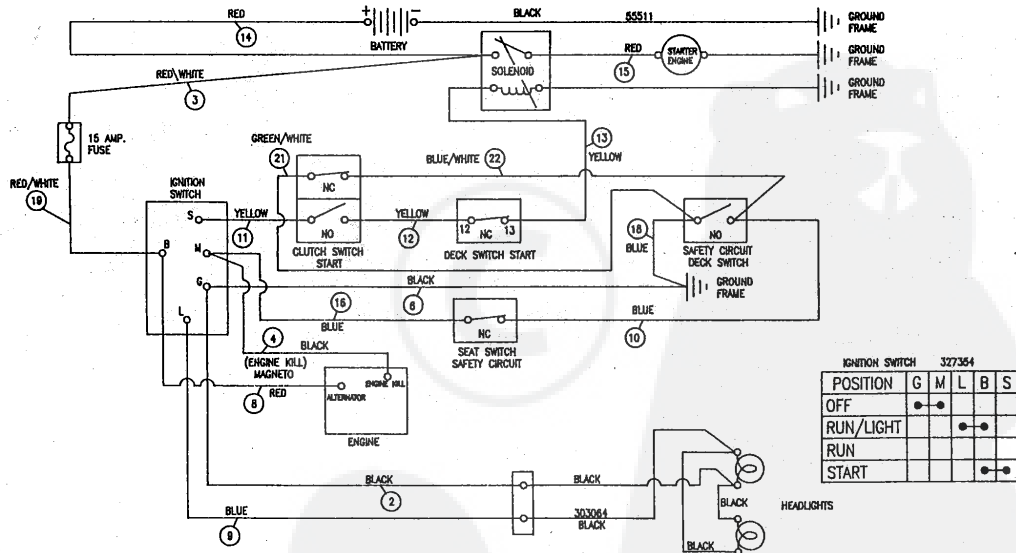


# F3554-300

# ELECTRICAL ASSEMBLY

KEY#	PART#	DESCRIPTION	QTY
1	331739	WIRE HARNESS, SF, 8-12HP, B&S	1
2	41482	PRESS CLIP, 1.380 LONG .255 ID	2
3	303064	ASSEMBLY, LIGHT WIRE-1/4 TURN	1
4	52572	BULB, HEADLAMP	2
5	57444	TIE, CABLE BLACK NYLON, 5.62 LONG	1
6	41482	PRESS CLIP, 1.380 LONG .255 ID	2
9	327354	SWITCH,IGNITION & LIGHTS DELTA	1
10	327352	NUT, 5/8-8ACME DELTA FOR BOOT	1
11	327350	KEY, IGNITION	1
12	57476	SWITCH, SCREW MOUNT, DP, NC, NO BLACK	2
13	300302	SCREW, #10 X .50 HHTAPPST, BLACK	4
14	53716	SOLENOID	1
15	187745	SCREW, 1/4-20 X .75 HXSEMMA	2
16	1084	WASHER, FLAT .281 X 1.00 X .063	1
17	1502	NUT, 1/4-20 REGHEXCTRLK	2
18	271172	NUT, 1/4-20 REGHEXKEPS	1
19	271187	NUT, 5/16-24 HKEPS	2
20	55511	WIRE, GROUND, 12.5"	1
21	271184	NUT, 5/16-18 HEXKEPS	1
22	57547	SWITCH, SEAT	1
23	160505	SCREW, 1/4-20 X .38 PHPNHMA	2
24	92693	BATTERY, 12V, MAINTENANCE FREE	1
25	329175	BATTERY BRACKET	1
26	995346	SCREW, 1/4-20 X .50 WAHTAP	1
27	187745	SCREW, 1/4-20 X .75 HXSEMMA	1
28	1502	NUT, 1/4-20 REGHEXCTRLK	2
29	180020	SCREW, 1/4-20 X .75 HHC	2
30	271172	NUT, 1/4-20 REGHEXKEPS	2
31	302031	FUSE, SPADE TYPE, 32V, 15A	1
32	9149	BRACKET, CABLE RETAINER	1
33	57444	TIE, CABLE BLACK NYLON, 5.62 LONG	1
34	308201	INSULATOR, BATTERY BOOT	1
35	124818	NUT, 1/4-20 REGHXJAM	1

## SCHEMATIC DRAWING



331739

**F3554-300**

**REPAIR PARTS**

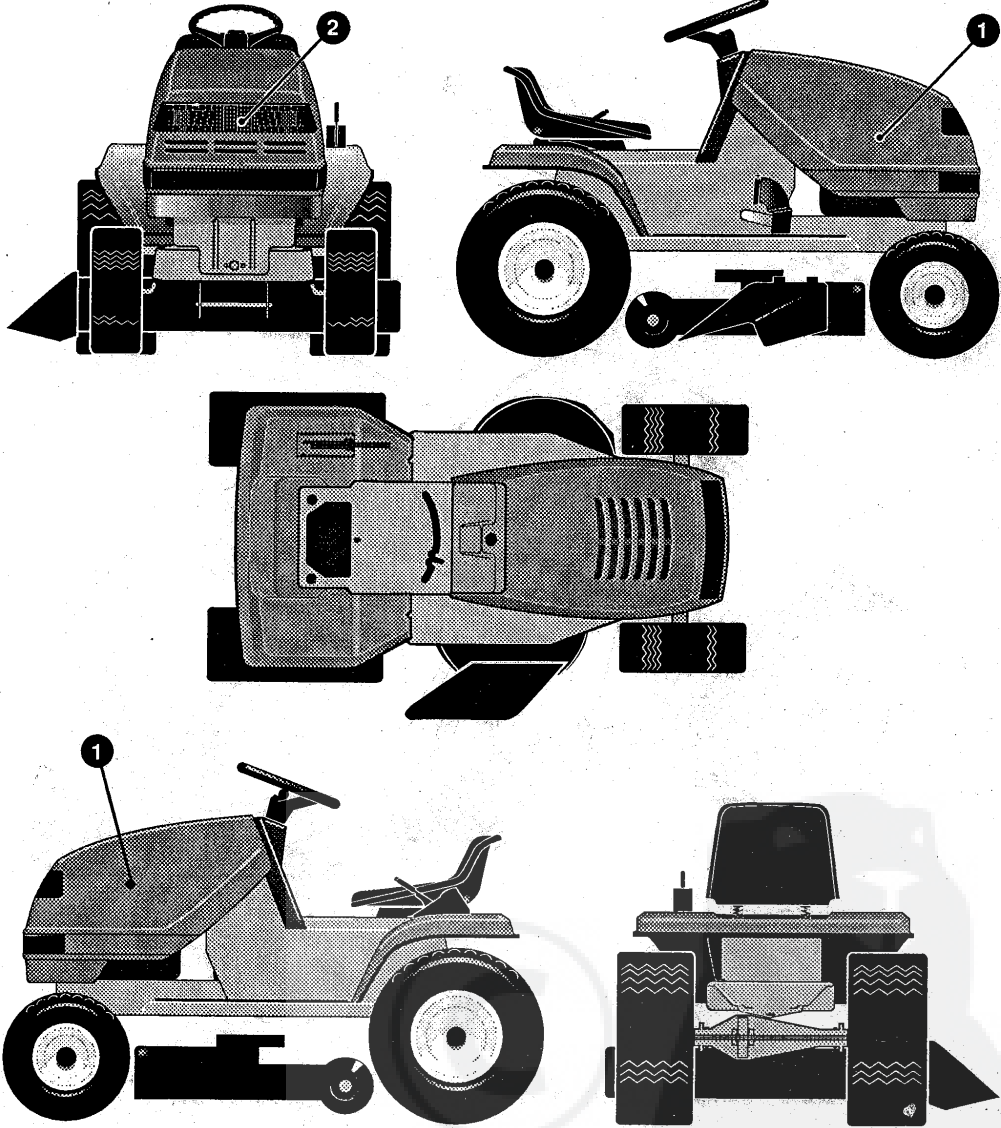
**CONSOLE DETAIL**

KEY#	PART#	DESCRIPTION	QTY
1	402700	DECAL, CAUTION DECK LH .....	1
2	402701	DECAL, CAUTION DECK RH CUT HND .....	1
3	305603	PAD, 18 X 6 FOAM HOOD .....	2
4	307276	PAD, 15 X 7 FOAM HOOD .....	1
5	307277	PAD, 12 X 4 FOAM HOOD .....	1
6	326587	DECAL DASH .....	1
7	402747	DECAL, CONSOLE SYMBOLIC .....	1
8	301104	DECAL, CONSOLE TOP SHIFT 5-SP .....	1
9	318010	DECAL, TUV GS .....	1
10	320892	DECAL, INSTR PEDAL LIFT .....	1
11	327146	DECAL, PEDAL-LIFT INDICATOR .....	1
12	402702	DECAL, BRAKE/CLUTCH .....	1

335503 A

**F3554-300**

**DECAL ASSEMBLY**

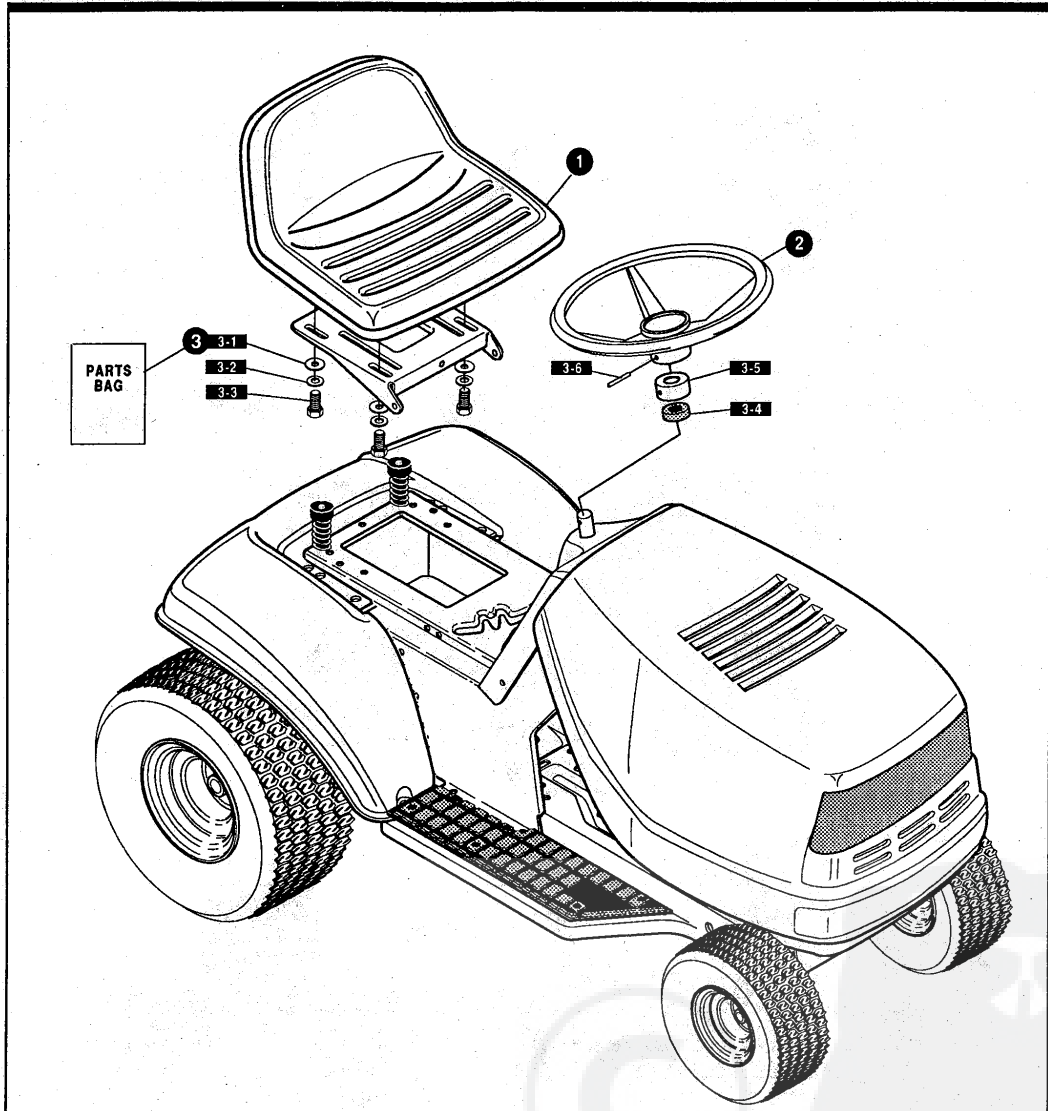


KEY#	PART#	DESCRIPTION	QTY
1	402775	DECAL, HOOD GARDENSTAR .....	2
2	308492	FOIL, LENS REFLECTOR .....	1

335509 A

**F3554-300**

**CUSTOMER ASSEMBLY**



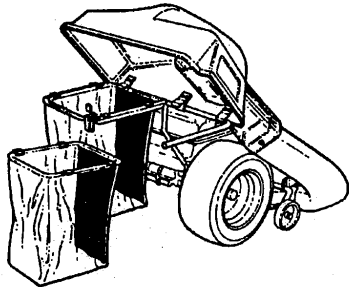
KEY#	PART#	DESCRIPTION	QTY
1	304314	SEAT, MICHIGAN W/SWITCH HOLE .....	1
2	330510	STEERING WHEEL .....	1
3		PARTS BAG, ASSEMBLY SEAT/STEER .....	1
3-1	120393	WASHER, FLAT .344 X .69 X .065 .....	4
3-2	120638	WASHER, HVSPTLK .328 X .60 X .09 .....	4
3-3	180077	SCREW, 5/16-18 X .75 HHC .....	4
3-4	331322	COVER, STEERING SHAFT .....	1
3-5	301413	SPACER, STEERING SHAFT .....	1
3-6	456378	PIN, SPRING .250 DIA X 2.00 LONG .....	1

327405 D

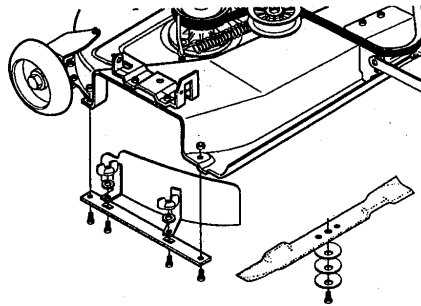
## ACCESSORIES

Contact the dealer where your tractor was purchased for the available accessories. If you are unable to contact the dealer, write to the address on the warranty page of this manual.

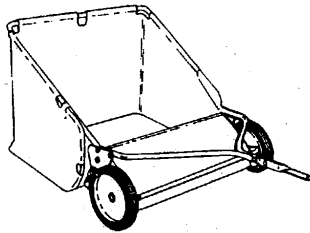
### Standard Lawn Tractor



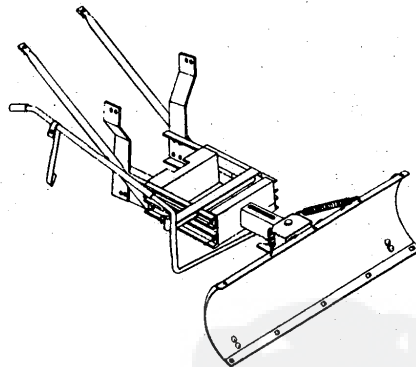
**Model # 5708-13**  
**Grass Collector for 39" decks**  
 For heavy duty grass collection  
 order Model # 5709-10 Air Assist



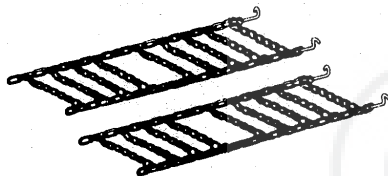
**Model #5715-00**  
**Mulching Kit (39" Deck)**



**Model # 5648-16**  
**Tow behind Lawn Sweeper for**  
**Grass and leaves**



**Model #5661-09**  
**42" Snowblade - Fits 36", 38", 39", & 45"**



**Model # 5579-00**  
**Tire Chains - 18" x 8.50" tires**

### OTHER ACCESSORIES

Model	Description
5672-01	Wheel Weights - Front - 1 pr. w/mtg. hdw. - Fits 15" tires
5673-02	Wheel Weights - Rear - 1 pr. w/mtg. hdw. - Fits 18" & 20" tires
306932	39" High lift blade for bagging or side discharge (requires 2)
326160	39" Mulching blade (requires 2)