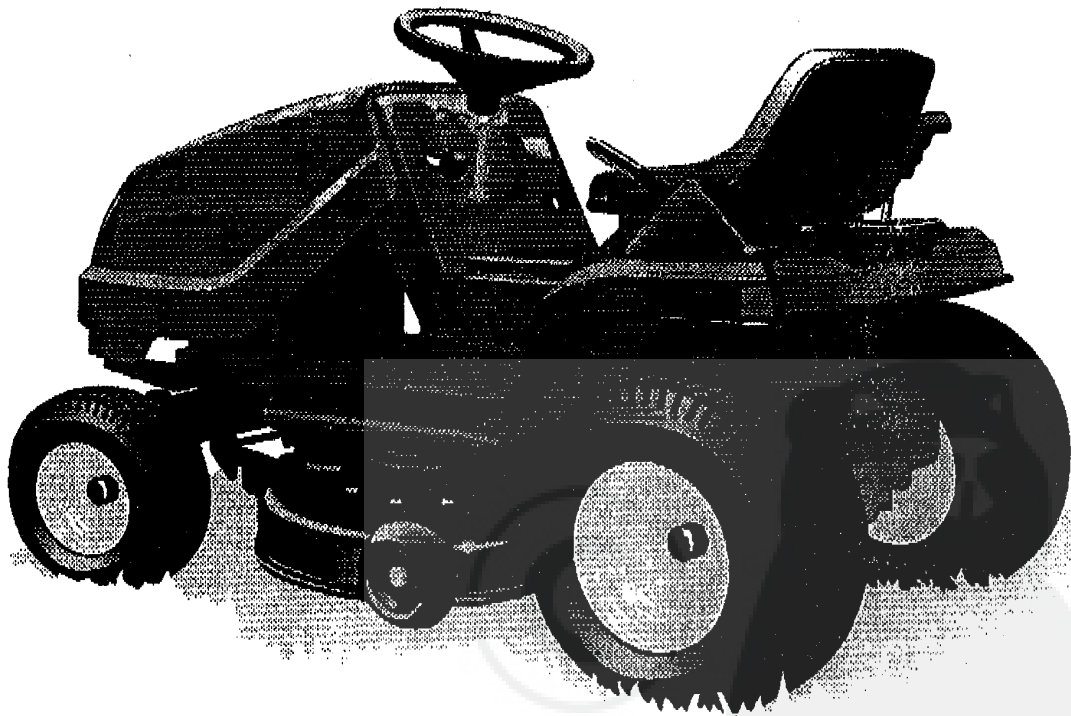


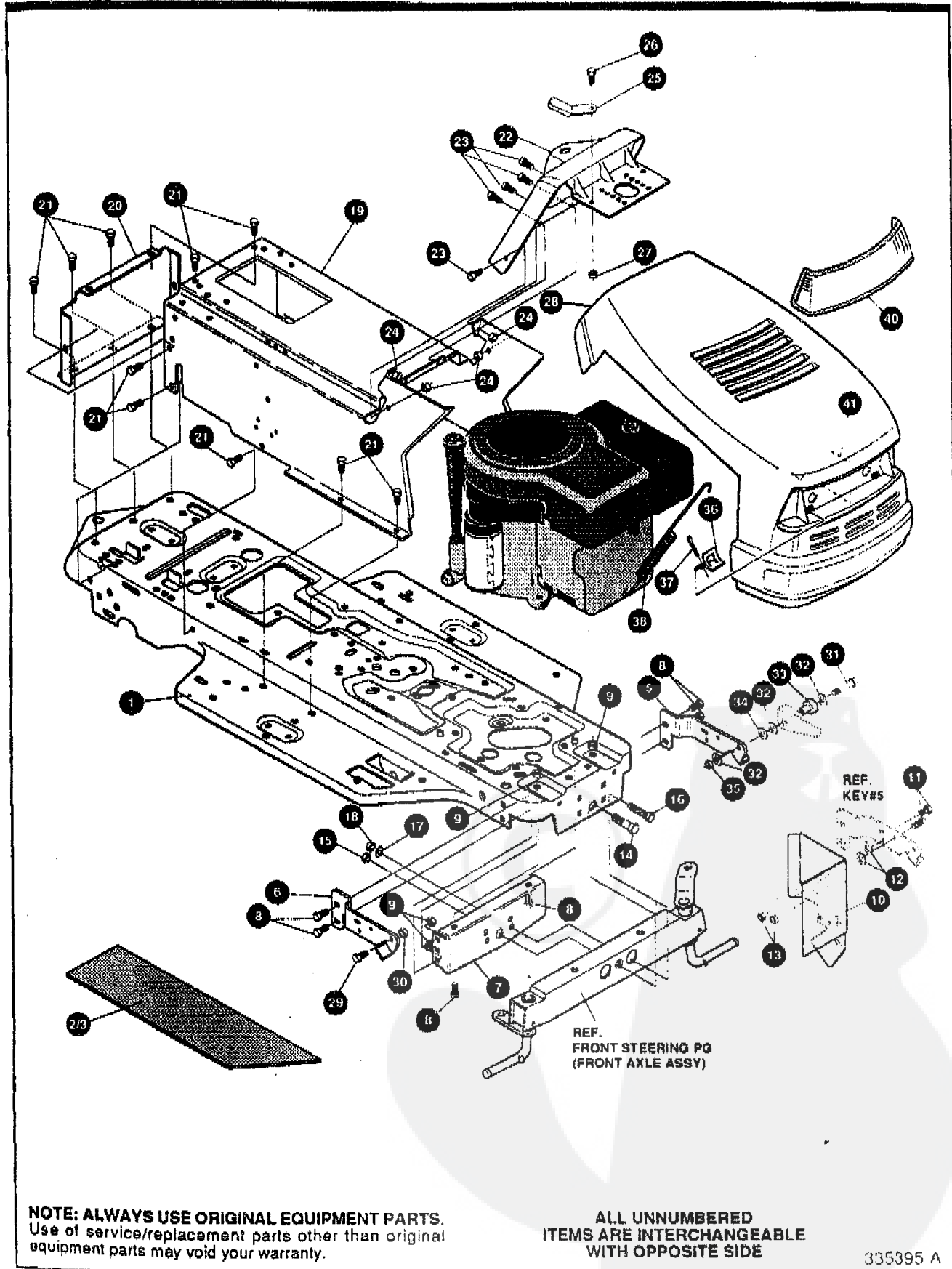
Granja

REPAIR PARTS MANUAL

Riding Mower



Model F3554-470

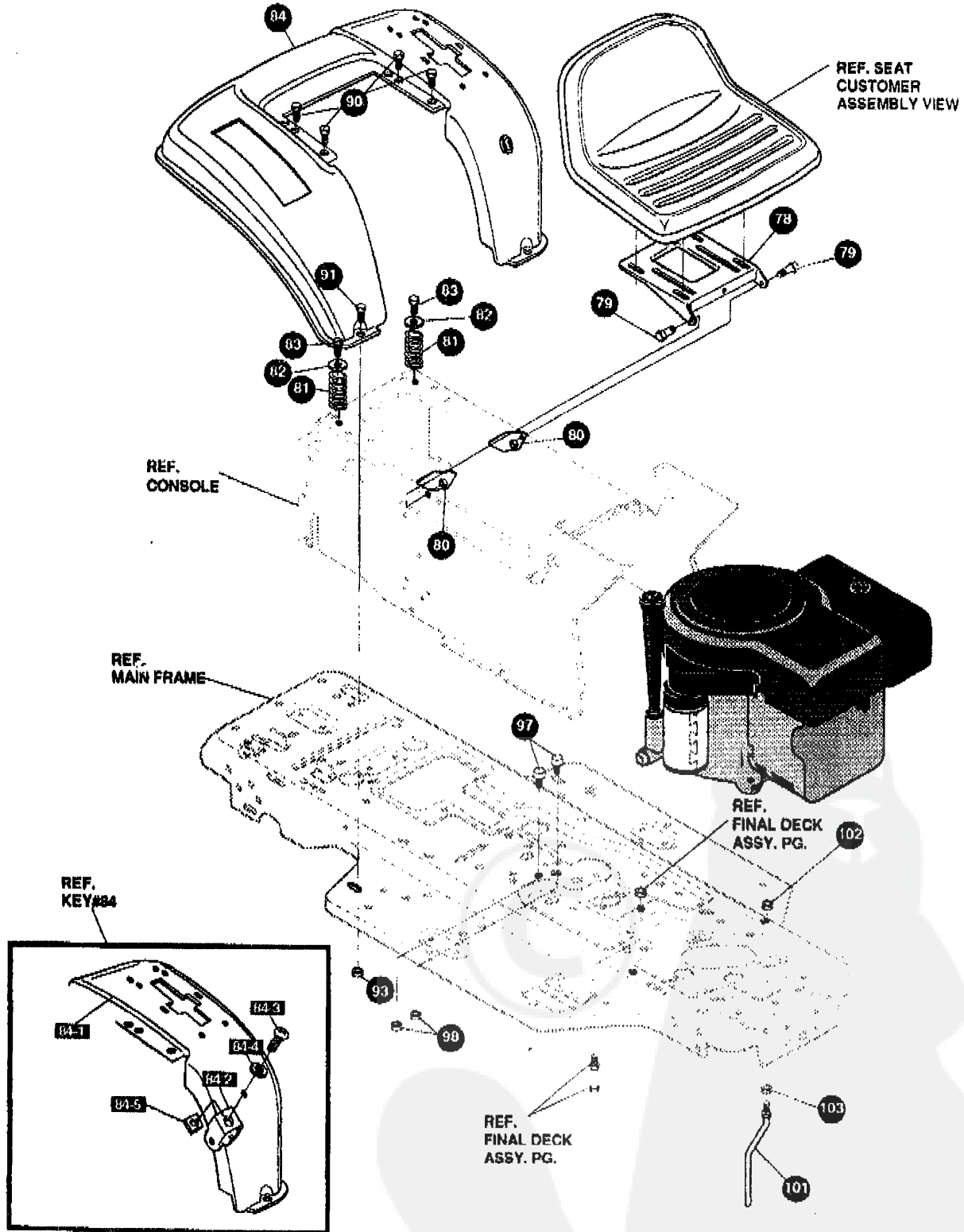
F3554-470**REPAIR PARTS**

F3554-470**CHASSIS & HOOD ASSEMBLY**

KEY#	PART#	DESCRIPTION	QTY
1	331173-860	FRAME, MAIN, SF, RIDER	1
2	331834	FOOT PAD, RH, SF, FULL WIDTH	1
3	331835	FOOT PAD, LH, SF, FULL WIDTH	1
5	313001-853	BRACKET, GRILLE SUPPORT, LH	1
6	313002-853	BRACKET, GRILLE, RH	1
7	56362-853	BRACKET, SUPPORT, FRONT AXLE-SF	1
8	328154	SCREW, 5/16-18 X 1.0 WDFLLK	6
9	55273	NUT, 5/16-18 WDFLLKLRG WHIZ	6
10	312908-853	SHIELD, HEAT, 11&12HP, B&S & TEC, SF	1
11	180020	SCREW, 1/4-20 X .75 HHC	2
12	311245	WASHER, FLAT 250 X .75 X INSULATE	2
13	1502	NUT, 1/4-20 REGHEXCTRLK	2
14	29616	BOLT, .625 X 1.890 HSH, 1/2-20	1
15	274654	NUT, 1/2-20 REGHXCTRLK	1
16	180138	SCREW, 3/8-18 X 3.00 HHC	2
17	2483	WASHER, .39 ID X 1.25 D X .07 BELLVIL	2
18	1499	NUT, 3/8-16 REGHXCTRLK	2
19	324748-860	CONSOLE, SF, FENDER SHIFT	1
20	56235-860	CONSOLE, REAR COVER	1
21	995346	SCREW, 1/4-20 X .50 WAHTAP	15
22	320466-860	DASH, SF	1
23	44811	SCREW, 1/4-20 X .75 WAHTAP	6
24	50352	NUT, 1/4-20 WDFLLK TOPLOCK	4
25	313021-853	GUIDE, HOOD SF & LF, H13, H14, H15	2
26	180020	SCREW, 1/4-20 X .75 HHC	2
27	51335	NUT, 1/4-20 WDFLWHIZ-LK	2
28	12506	HOOD, SMALL, H-13	1
29	56676	BOLT, .375 X .580 HSH, 5/16-18	1
30	1498	NUT, 5/16-18 REGHEXCTRLK	1
31	180042	SCREW, 1/4-20 X 1.75 HHC	1
32	120392	WASHER, FLAT 281 X .63 X .065	3
33	309532	BEARING, FLANGED, PLASTIC HOOD	1
34	311245	WASHER, FLAT 250 X .75 X INSULATE	1
35	1502	NUT, 1/4-20 REGHEXCTRLK	1
36	310801	ANCHOR, HOODLANYARD	1
37	121222	PIN, COTTER .090 DIA X .75 LONG	1
38	304784	SPRING, HOOD LATCH	1
40	302670	LENS, HEADLAMP, HOODS	1
41	301452	FOIL, HEAT REFLECTOR	1
	336400	PARTS MANUAL	1
	336416	OPERATOR'S MANUAL (FRENCH)	1

F3554-470

REPAIR PARTS



NOTE: ALWAYS USE ORIGINAL EQUIPMENT PARTS.
 Use of service/replacement parts other than original equipment parts may void your warranty.

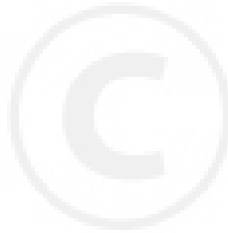
ALL UNNUMBERED ITEMS ARE INTERCHANGEABLE WITH OPPOSITE SIDE

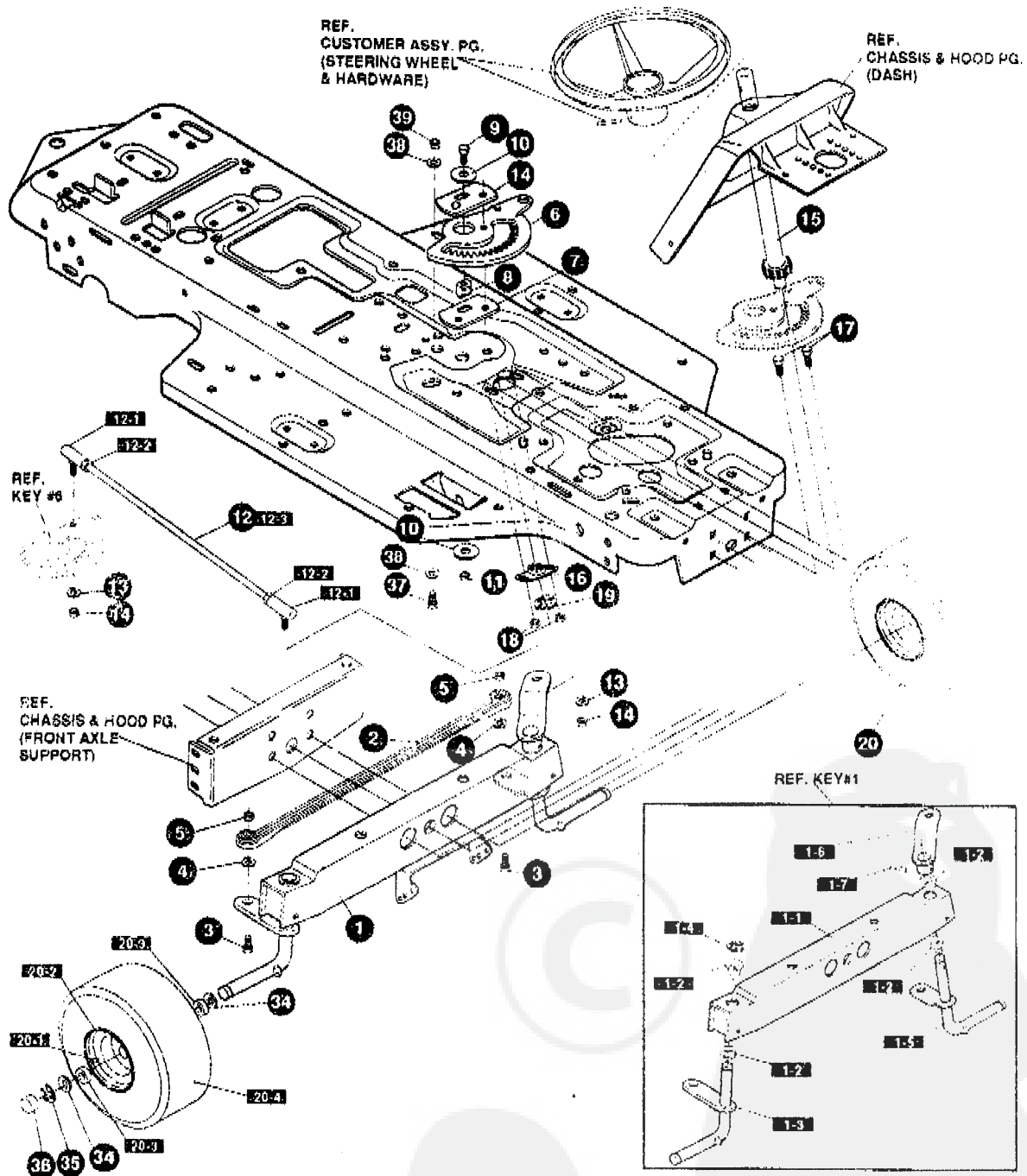
335395 A

F3554-470**CHASSIS & HOOD ASSEMBLY**

KEY#	PART#	DESCRIPTION	QTY
78	58367-860	PLATE, SEAT, F5, SF, LF	1
79	20507	BOLT, .437 X .156 HHSH, 5/16-18	2
80	1498	NUT, 5/16-18 REGHEXCTRLK	2
81	330463	SPRING, SEAT 1.50 OD X 2.25 LONG	2
82	120392	WASHER, FLAT .281 X .63 X .065	2
83	995346	SCREW, 1/4-20 X .50 WAHTAP	2
84	*	ASSEMBLY, FENDER, F-5, SF, S.O.F./L.O.F.	1
84-1	332423-860	FENDER, F-5, SF, S.O.F./L.O.F.	1
84-2	9239	CLEVIS	1
84-3	439455	SCREW, 5/16-18 X .56 PHPNMA	1
84-4	301551	WASHER, .344 ID X 1.50 D X .09	1
84-5	120373	NUT, 5/16-18 SQUARE	1
90	995346	SCREW, 1/4-20 X .50 WAHTAP	4
91	126358	BOLT, 5/16-18 X 1.00 CARRLN	2
93	55273	NUT, 5/16-18 WDFLLKLRG, WHIZ	2
97	53446	PIN, 5/16-18, HOOD LATCH	2
98	271184	NUT, 5/16-18 HEXKEPS	2
101	50853	GUIDE, BELT	1
102	41529	NUT, 3/8-16 HXCTRLKJAM	1
103	271190	NUT, 3/8-16 HEXKEPS	1

* ORDER INDIVIDUAL PARTS - ASSEMBLY NOT AVAILABLE



F3554-470**REPAIR PARTS**

NOTE: ALWAYS USE ORIGINAL EQUIPMENT PARTS.
Use of service/replacement parts other than original equipment parts may void your warranty.

**ALL UNNUMBERED
ITEMS ARE INTERCHANGEABLE
WITH OPPOSITE SIDE**

324972 11

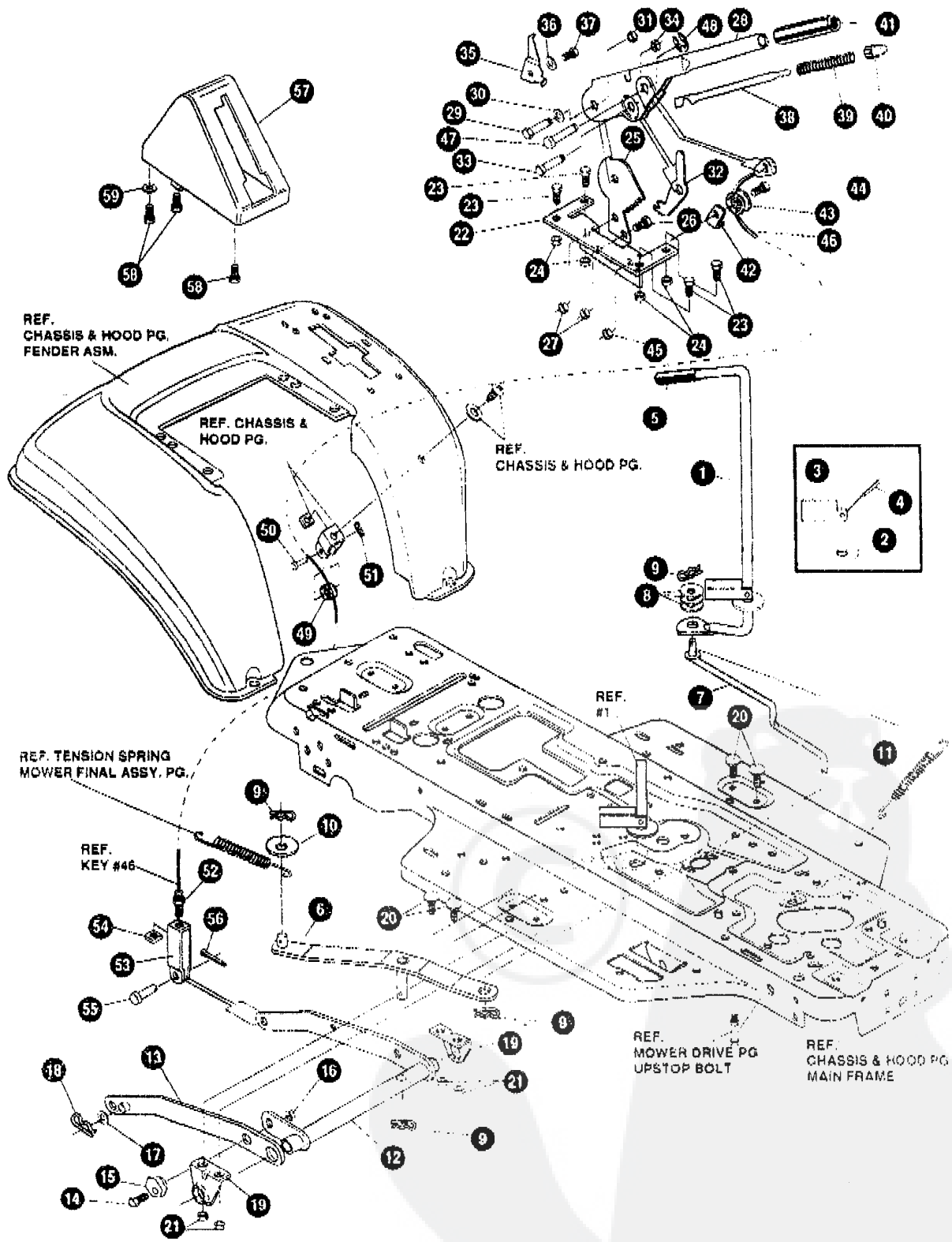
F3554-470**STEERING ASSEMBLY**

KEY#	PART#	DESCRIPTION	QTY
1	*	AXLE, FRONT ASSEMBLY, SF, LONG	1
1-1	324915	ASSEMBLY, FRONT AXLE, SF, GS	1
1-2	50546	BEARING, FLANGE .759 ID X 1.002 OD X .75	4
1-3	310369	SPINDLE, ASSEMBLY, RH, LONG, SF	1
1-4	36625	RING, RETEX .57 X .05 TRU 5133-75	1
1-5	310367	SPINDLE, ASSEMBLY, LH, LONG, SF	1
1-6	327619	ARM ASSEMBLY, SF, 4WS, FRONT STEERING	1
1 7	454665	PIN, SPRING .250 DIA X 1.25 LONG	1
2	302688	ASSEMBLY, TIE ROD, 19.31 LONG	1
3	180124	SCREW, 3/8-16 X 1.25 HHC	2
4	120382	WASHER, REGSPTLK .393 X .68 X .10	2
5	1499	NUT, 3/8-16 REGHXCTRLK	2
6	327399	GEAR, SECTOR, SF, 2WS	1
7	393289	PLATE SECTOR, SF, 4WS, BLACK	2
8	330021	BUSHING, SECTOR, GEAR, SF, 4WS	1
9	181643	SCREW, 3/8-24 X 1.50 HHC	1
10	845	WASHER, FLAT .390 X 1.25 X .119	2
11	412349	NUT, 3/8-24 HXCTRLK	1
12	328808	DRAG LINK ASSEMBLY, 17.69 LONG	1
12-1	57158	BALL JOINT, 3/8 THD, SHORT STUD	2
12-2	124925	NUT, 3/8-24 REGHEXJAM	2
12-3	56190	DRAG LINK	1
13	120382	WASHER, REGSPTLK .393 X .68 X .10	2
14	120369	NUT, 3/8-24 REGHEX	2
15	327834	SHAFT, PIN-STEER, BLACK	1
16	325692	BEARING, FLANGE .50 ID X 1.370 OD	1
17	326505	SCREW, 1/4-20 X .75 (TO 30-35 FT#)	2
18	46931	NUT, 1/4-20 WDFL MAC-LOCK	2
19	20864	RING, RET E .39 X .04 TRU 5133-50	1
20	*	TIRE & RIM, PU 15 X 6.0 X 6	2
20-1	24167	VALVE STEM	
20-2	39829	RIM, WHEEL	
20-3	314416	BEARING, FLANGE	
20-4	TIRE	REFER TO TIRE TREAD PAGE	
34	642	WASHER, FLAT .755 X 1.31 X .075	4
35	36625	RING, RETEX .57 X .05 TRU 5133-75	2
36	40394	HUB CAP, 1.500 ID X 7/8 LONG	2
37	180124	SCREW, 3/8-16 X 1.25 HHC	1
38	120394	WASHER, FLAT .406 X .81 X .065	2
39	45171	NUT, 3/8-16 HWDFL WHIZ-LOCK	1

* ORDER INDIVIDUAL PARTS - ASSEMBLY NOT AVAILABLE

F3554-470

REPAIR PARTS



NOTE: ALWAYS USE ORIGINAL EQUIPMENT PARTS
 Use of service/replacement parts other than original equipment parts may void your warranty.

ALL UNNUMBERED ITEMS ARE INTERCHANGEABLE WITH OPPOSITE SIDE

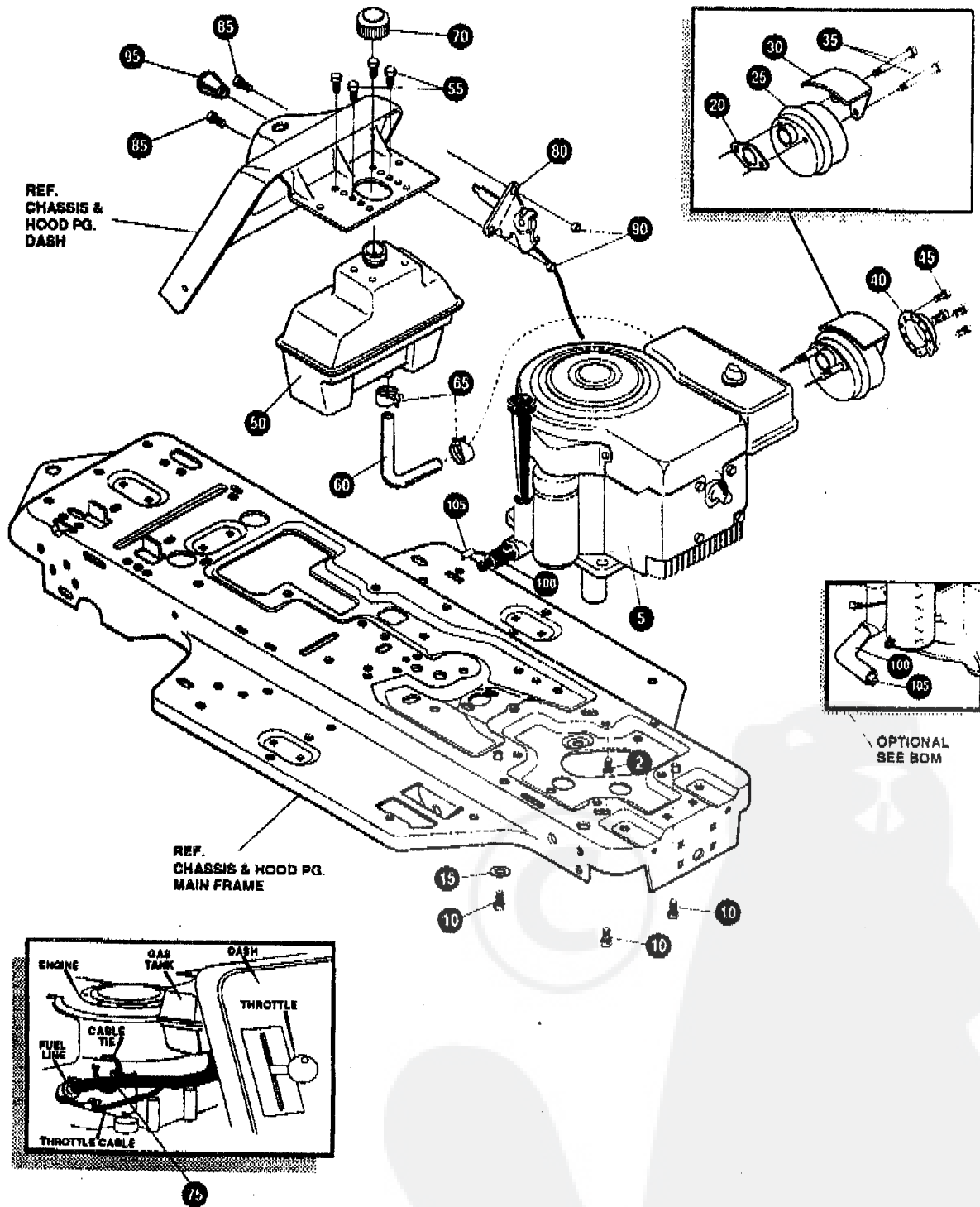
F3554-470**MOTION DRIVE ASSEMBLY**

KEY#	PART#	DESCRIPTION	QTY
50	49896	BELT GUIDE	1
51	271184	NUT, 5/16-18 HEXKEPS	1
52	120393	WASHER, FLAT .344 X .69 X .065	2
53	1498	NUT, 5/16-18 REGHEXCTRLK	1
54	331836	ASSEMBLY, PEDAL, BRAKE, CLUTCH, SF	1
55	319676	PIN, CLEVIS .500 D X 4.87 LONG	1
56	2968	WASHER, FLAT .504 X .76 X .059	4
57	331972	SPACER, SLEEVE .53 X .62 X 1.240	1
58	56180	PIN, HAIR .091 DIA X 1.62 LONG	1
59	48761	PAD, CLUTCH/BRAKE PEDAL	1
60	321969	IDLER ARM BRACKET, TRACTION, SF	1
61	329989	BOLT, .625 X .135 HSSH, 5/16-18	1
62	45602	WASHER, FLAT .333 X .87 X .119	1
63	1498	NUT, 5/16-18 REGHEXCTRLK	1
64	327867	SPRING, 3/4 OD X 7.75 X .091 TENSION	1
65	39659	RETAINER, BELT	1
66	35374	PULLEY, IDLER V4L, 3.06 X .62	1
67	45892	BOLT, 3/8-16 X 1.50 CARRSN	1
68	1499	NUT, 3/8-16 REGHXCTRLK	1
69	333175	CLUTCH ROD ASSEMBLY, .268 DIA 3.92	1
71	326780	SPRING, 3/8 OD X 2.18 X .055 TENSION	1
72	323127	BRACKET, BRAKE ROD, BLACK	1
73	20507	BOLT, .437 X .156 HSSH, 5/16-18	1
74	4230	WASHER, FLAT .328 X .68 X .104	1
75	1498	NUT, 5/16-18 REGHEXCTRLK	1
76	323222	BRAKE ROD, RIDER, BLACK	1
77	120393	WASHER, FLAT .344 X .69 X .065	1
78	121222	PIN, COTTER .090 DIA X .75 LONG	1
79	271184	NUT, 5/16-18 HEXKEPS	1
80	44108	NUT, 5/16-18 HWDFLCTRLK	1
81	35410	SPRING, .071 X .62 X 4.37	1
82	*	TIRE & RIM, PU 18 X 8.5 X 8	2
82-1	24167	VALVE STEM	
82-2	326362	RIM, WHEEL	
82-3	TIRE	REFER TO TIRE TREAD PAGE	
83	52928	KEY, SQUARE .187 SQUARE X 2.25 LONG	2
84	642	WASHER, FLAT .755 X 1.31 X .075	4
85	42815	WASHER, FLAT .755 X 1.53 X .07	2
86	36625	RING, RETEX 57 X .05 TRU 5133-75	2
87	40394	HUB CAP, 1.500 ID X 7/8 LONG	2

* ORDER INDIVIDUAL PARTS - ASSEMBLY NOT AVAILABLE

F3554-470

REPAIR PARTS



OPTIONAL
SEE BOM

NOTE: ALWAYS USE ORIGINAL EQUIPMENT PARTS.
Use of service/replacement parts other than original equipment parts may void your warranty.

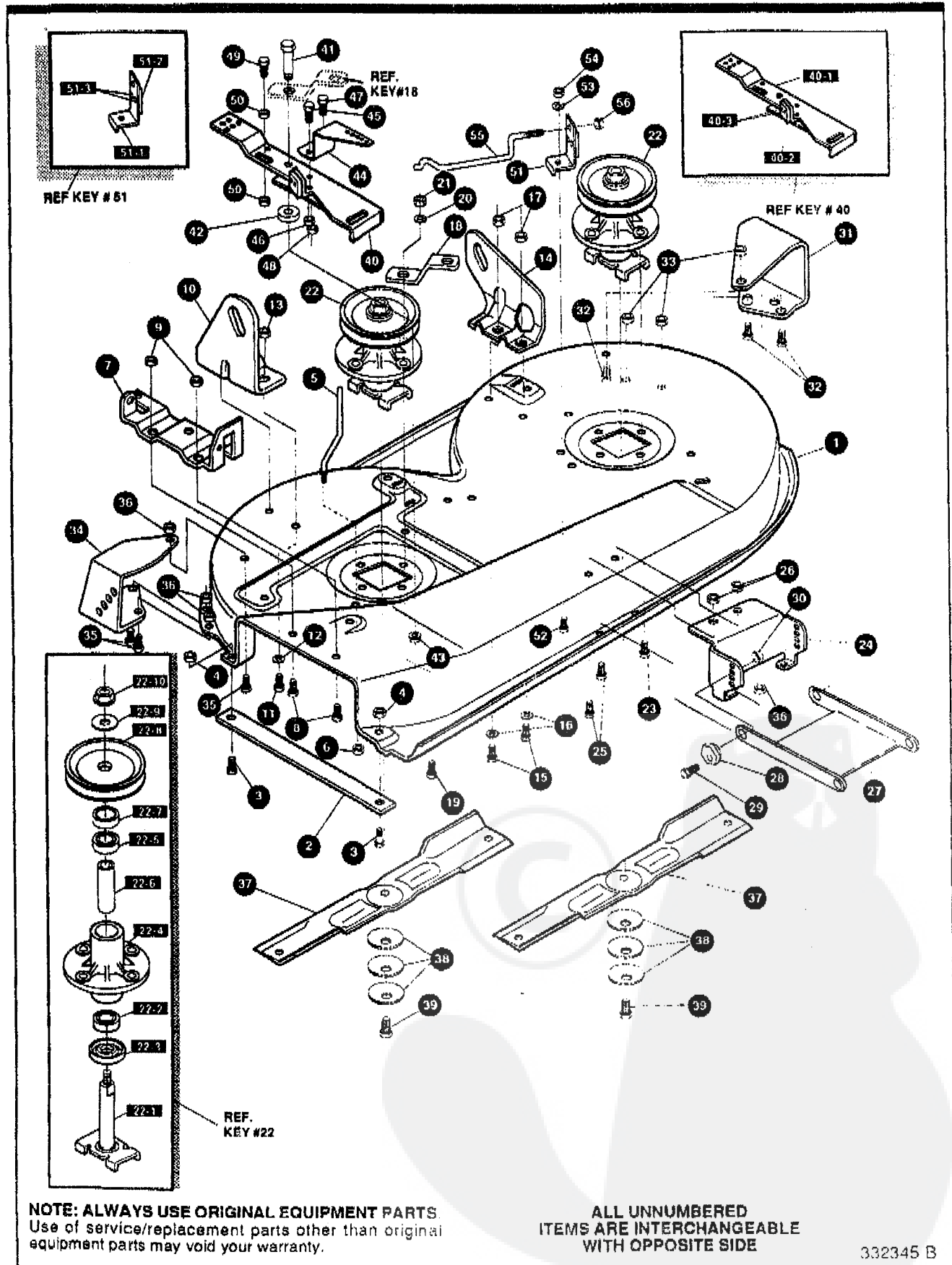
**ALL UNNUMBERED
ITEMS ARE INTERCHANGEABLE
WITH OPPOSITE SIDE**

331639 B

F3554-470**ENGINE & CONTROL ASSEMBLY**

KEY#	PART#	DESCRIPTION	QTY
5	*	ENGINE, 10-12HP, B&S, 3A	1
10	50847	SCREW, 3/8-16 X 1.25 WAHHTAP, BLACK	4
15	198489	WASHER, EXLK .384 X .69 X .04	1
20	46708	GASKET, MUFFLER	1
25	57908	MUFFLER-DOMESTIC/EXPORT ROUND	1
30	54767	SHIELD, HEAT, FOR ROUND MUFFLER	1
35	54980	SCREW, 5/16-18 X 3.50 HHC	2
40	56472	DEFLECTOR SIDE OUT (BS222573)	1
45	35287	SCREW, #8-32 X .38 HHWATAP	4
50	314989	TANK, FUEL, 1 GALLON, CLEAR	1
55	300303	SCREW, .25 X .75 X .51 HHWA, PLASTITE	4
60	42258	TUBING, .25 X .50 X BULK GAS LINE	12.0"
65	47345	CLAMP, HOSE SCREW TYPE	2
70	46704	CAP, GAS 1-1/2-7 THD, BLACK	1
75	57444	TIE, CABLE BLACK NYLON, 5.62 LONG	1
80	320031	THROTTLE CONTROL	1
85	274707	SCREW, 10-24 X .50 WAHMA	2
90	308459	NUT, #10-24 HXHDNYLK	2
95	50607	KNOB, ROUND THROTTLE, BLACK	1
100	325547	OIL DRAIN VALVE OR TUBE	1
105	327422	CAP OR PLUG FOR OIL DRAIN	1

* SEE ENGINE MANUAL

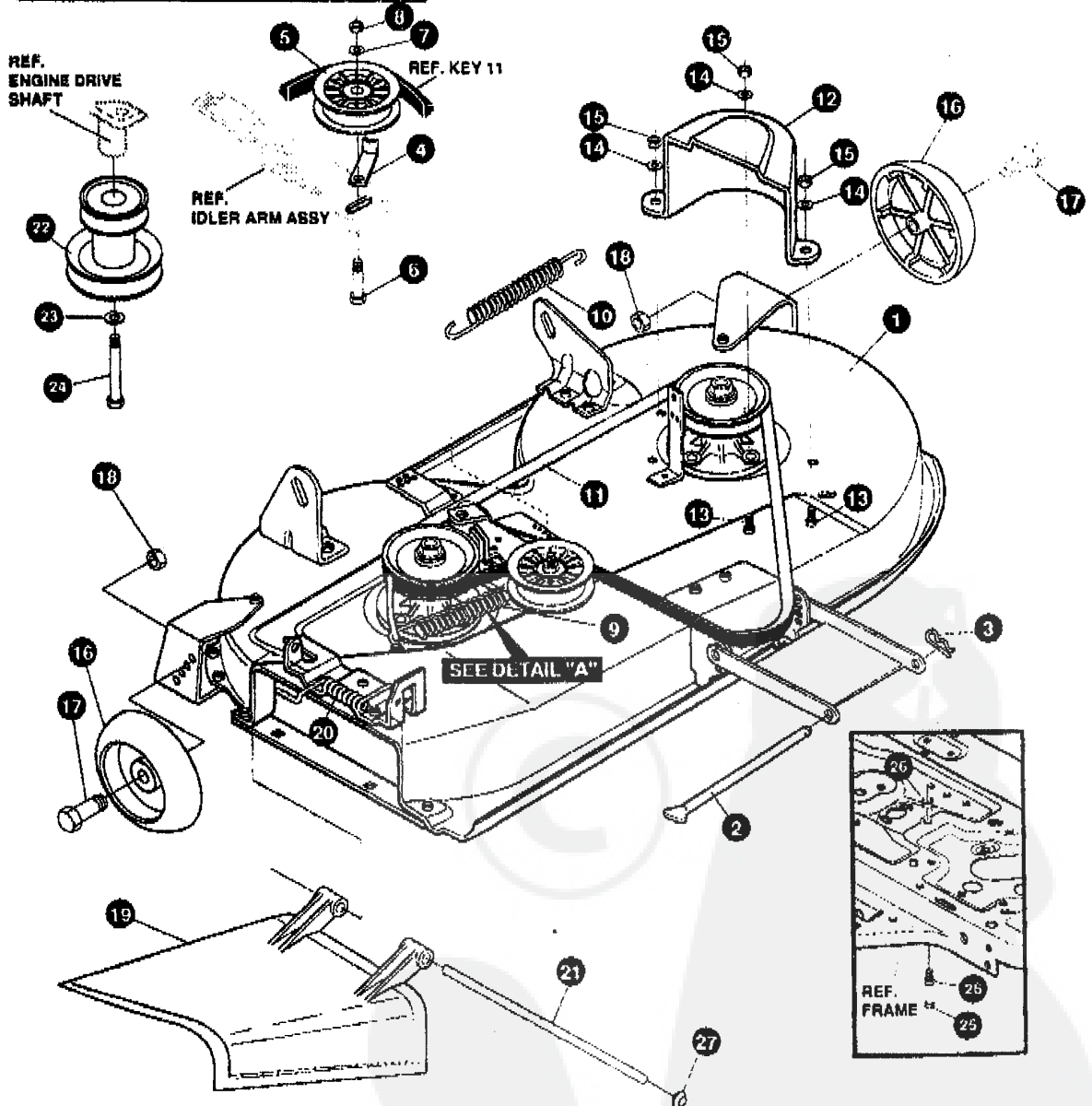
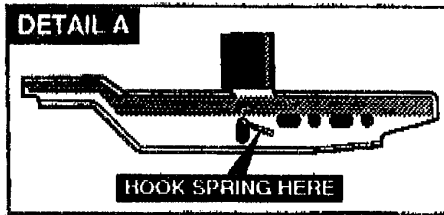
F3554-470**REPAIR PARTS**

F3554-470**PRE-PAINTED DECK ASSEMBLY**

KEY#	PART#	DESCRIPTION	QTY
1	325106	99° DECK KIT	1
2	326295	BAR, SKID	1
3	126216	BOLT, 5/16-18 X .75 CARRLN	2
4	271184	NUT, 5/16-18 HEXKEPS	2
5	57318	GUIDE, BELT 5/16-18 THD	1
6	1498	NUT, 5/16-18 REGHEXCTRLK	1
7	313928	BRACKET, CHUTE BLACK, 853	1
8	180073	SCREW, 5/16-18 X .50 HHC	2
9	1498	NUT, 5/16-18 REGHEXCTRLK	2
10	313929	LIFT BRACKET, REAR, RH, BLACK, 853	1
11	180077	SCREW, 5/16-18 X .75 HHC	2
12	120393	WASHER, FLAT .344 X .69 X .065	2
13	1498	NUT, 5/16-18 REGHEXCTRLK	2
14	310667	BRACKET, DECK, LIFT REAR, LH, BLACK	1
15	180077	SCREW, 5/16-18 X .75 HHC	2
16	120393	WASHER, FLAT .344 X .69 X .065	2
17	1498	NUT, 5/16-18 REGHEXCTRLK	2
18	315302	BRACKET, IDLER SUPPORT	1
19	300345	SCREW, 5/16-18 X 1.38 WAHHTAP	1
20	120393	WASHER, FLAT .344 X .69 X .065	1
21	1498	NUT, 5/16-18 REGHEXCTRLK	1
22	56424	QUILL ASSEMBLY, 36/39/40/43	2
22-1	56425	SHAFT/SADDLE 36"	1
22-2	49562	BEARING, BALL 6203-2AA-C3 ARMORED	1
22-3	50616	DUST SHIELD	1
22-4	55547	QUILL CASTING (1046)	1
22-5	49562	BEARING, BALL 6203-2AA-C3 ARMORED	1
22-6	50818	SPACER, SLEEVE, .669 X .88 X 3.797	1
22-7	51449	SPACER, SLEEVE, .672 X .93 X .438	1
22-8	313898	PULLEY ASSEMBLY	1
22-9	56365	WASHER, SPECIAL QUILL	1
22-10		1282 NUT, 7/16-20 WDFLLK	1
23	35498	SCREW, 5/16-18 X .75 WAHHTAP	7
24	312526	LIFT, SUPPORT, FRONT DECK	1
25	180077	SCREW, 5/16-18 X .75 HHC	4
26	1498	NUT, 5/16-18 REGHEXCTRLK	4
27	58305	BRACKET, LINK DECK FRONT	1
28	58247	NUT, ADJUST	2
29	180079	SCREW, 5/16-18 X 1.00 HHC	2
30	1498	NUT, 5/16-18 REGHEXCTRLK	2
31	312477	WHEEL BRACKET, LH, BLACK	1
32	180077	SCREW, 5/16-18 X .75 HHC	3
33	1498	NUT, 5/16-18 REGHEXCTRLK	3
34	300102	WHEEL BRACKET, RH	1
35	180077	SCREW, 5/16-18 X .75 HHC	3
36	1498	NUT, 5/16-18 REGHEXCTRLK	3
37	309069	BLADE, 19.5, STD-LIFT, BLACK, 853	2
38	2483	WASHER, .39 ID X 1.25 D X .07 BELLVIL	6
39	39573	SCREW, 3/8-24 X 1.00 NYLHHC	2
40	300491	BRACKET, IDLER ARM/BRAKE	1
40-1	300490	IDLER ARM 36, 38, 39, & 45 SD	1
40-2	306973	BRAKE PAD - HARD-NF343 (X-31)	1
40-3	41601	RIVET, OVSET, .187 DIA X .50 LONG	2
41	300180	BOLT, .50 X 1.88 HSH, 3/8-16	1
42	996416	WASHER, FLAT .391 X 1.00 X .125	1
43	45171	NUT, 3/8-16 HWDFL WHIZ-LOCK	1
44	326248	BRACKET, EXTENSION IDLER	1
45	180077	SCREW, 5/16-18 X .75 HHC	1
46	1498	NUT, 5/16-18 REGHEXCTRLK	1
47	180020	SCREW, 1/4-20 X .75 HHC	1
48	1502	NUT, 1/4-20 REGHEXCTRLK	1
49	121954	SCREW, 1/4-20 X 2.00 HHC	1
50	271172	NUT, 1/4-20 REGHEXKEPS	2
51	303247	ASSEMBLY, BLADE BRAKE, 36, 39, 45	1
51-1	303246	BRAKE ARM	1
51-2	306973	BRAKE PAD - HARD-NF343 (X-31)	1
51-3	135624	RIVET, TRSET 185 DIA X .41 LONG	2
52	180077	SCREW, 5/16-18 X .75 HHC	1
53	120393	WASHER, FLAT .344 X .69 X .065	1
54	1498	NUT, 5/16-18 REGHEXCTRLK	1
55	300316	ROD, BRAKE RELEASE, 14 7, 39° DECK	1
56	1502	NUT, 1/4-20 REGHEXCTRLK	1

F3554-470

REPAIR PARTS



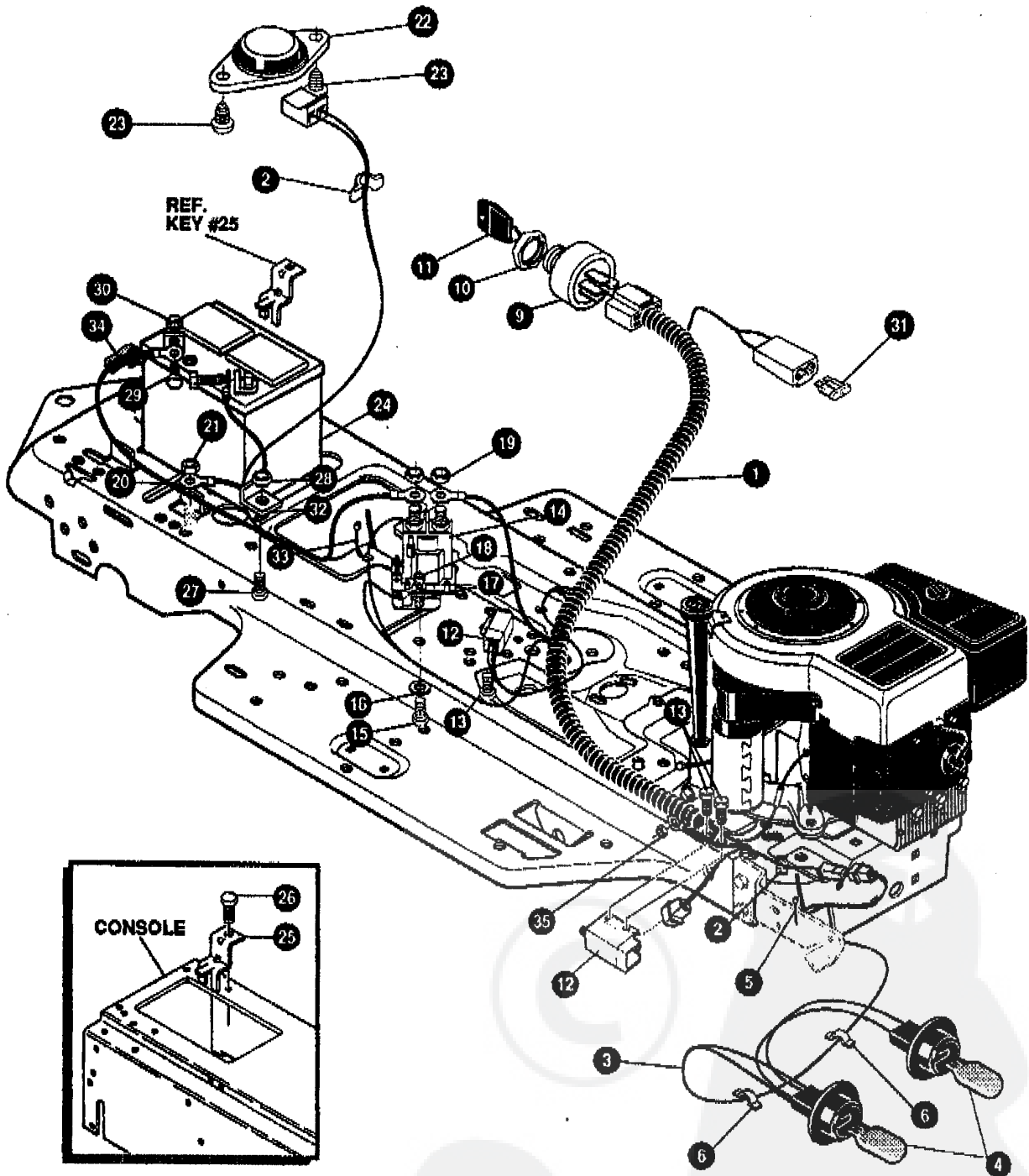
NOTE: ALWAYS USE ORIGINAL EQUIPMENT PARTS.
 Use of service/replacement parts other than original
 equipment parts may void your warranty.

**ALL UNNUMBERED
 ITEMS ARE INTERCHANGEABLE
 WITH OPPOSITE SIDE**

332346 B

F3554-470**FINAL DECK ASSEMBLY**

KEY#	PART#	DESCRIPTION	QTY
1	329456	SUB ASSEMBLY DECK, SF, 39" SD	1
2	58306	ROD, DECK HITCH	1
3	8260	PIN, HAIR .091 DIA X 1.66 LONG	1
4	1246	RETAINER, BELT	1
5	310326	PULLEY, IDLER BFF 4.00 WIDE FLANGE	1
6	57325	BOLT, 3/8-16 X 2.00 CARRSN	1
7	120382	WASHER, REGSPTLK .393 X .68 X .10	1
8	120377	NUT, 3/8-16 REGHX	1
9	322064	SPRING, .75 X 8.4 X .105 TENSION	1
10	326256	SPRING, .75 X 10.0 X .105 TENSION	1
11	300680	BELT, V 5L, 77.75, KEVLAR	1
12	328257	GUARD, BELT LH, PLASTIC	1
13	180077	SCREW, 5/16-18 X .75 HHC	3
14	120393	WASHER, FLAT .344 X .69 X .065	3
15	1498	NUT, 5/16-18 REGHEXCTRLK	3
16	302611	GAUGE WHEEL, EURO, 6.00 OD X 1.38 WD	2
17	23763	BOLT, .500 X 1.390 HSSH, 3/8-16	2
18	1499	NUT, 3/8-16 REGHXCTRLK	2
19	57818	CHUTE DEFLECTOR, 36", 39", 45"	1
20	314975	SPRING, TORSION CHUTE DEFLECTOR	1
21	334908	KIT FOR 57317 PIVOT ROD	1
22	328034	PULLEY, ENGINE, V3L, 4.00 OFFSET	1
23	120383	WASHER, REGSPTLK .459 X .78 X .12	1
24	433146	SCREW, 7/16-20 X 4.25 HHC, BLACK	1
25	180128	SCREW, 3/8-18 X 1.75 HHC	1
26	1499	NUT, 3/8-16 REGHXCTRLK	2
27	332179	CAP, PUSH ON, FOR DIA .250 ROD	1

F3554-470**REPAIR PARTS**

NOTE: ALWAYS USE ORIGINAL EQUIPMENT PARTS.
Use of service/replacement parts other than original equipment parts may void your warranty.

**ALL UNNUMBERED
ITEMS ARE INTERCHANGEABLE
WITH OPPOSITE SIDE**

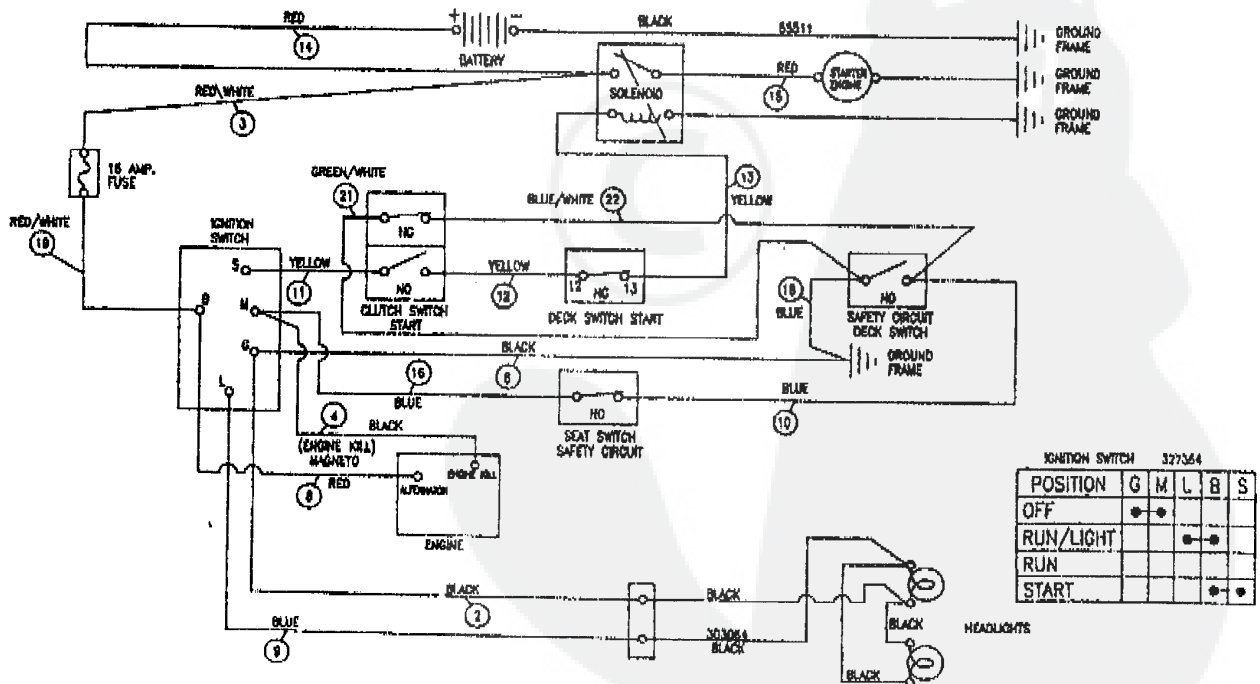
331669 C

F3554-470

ELECTRICAL ASSEMBLY

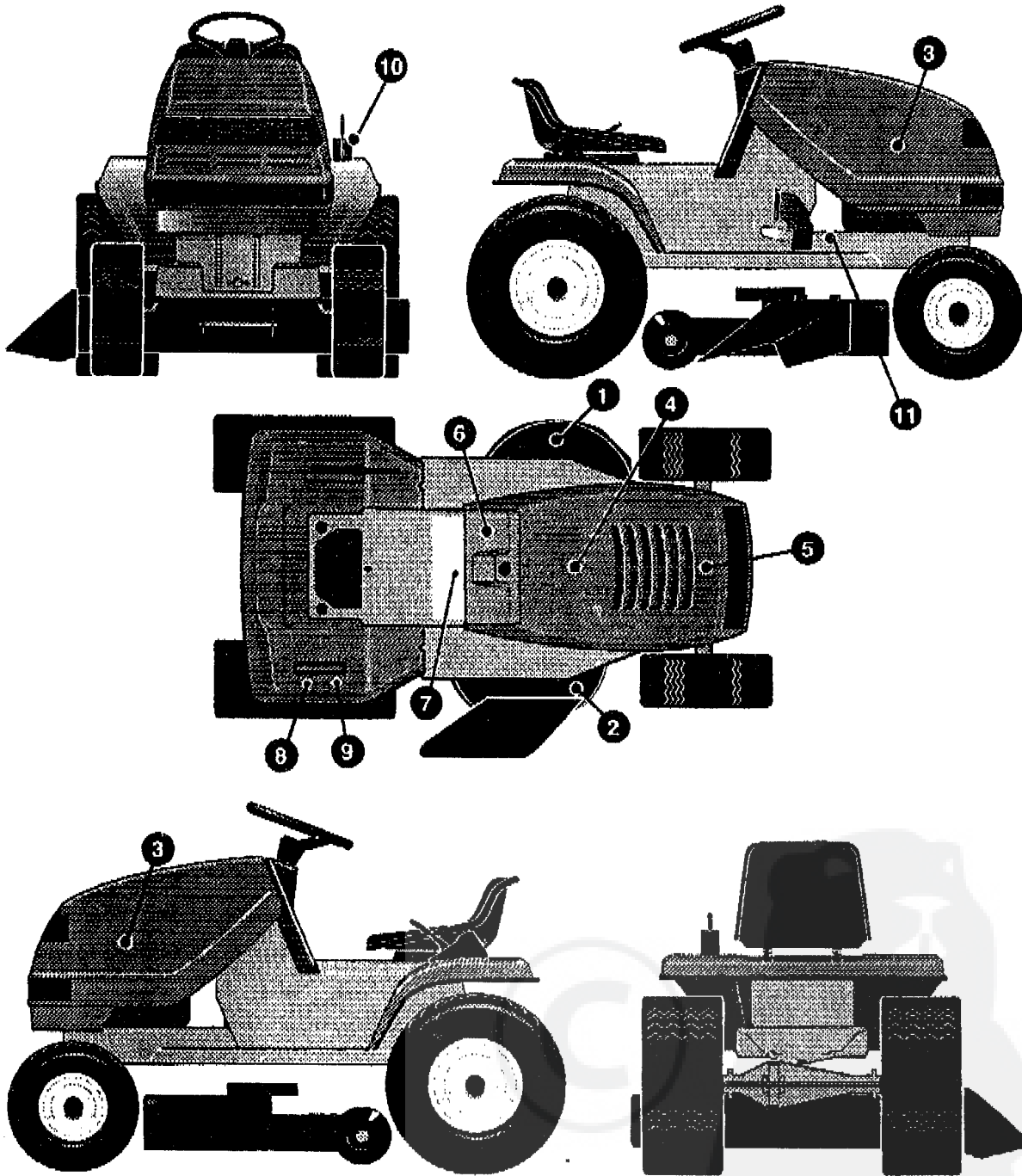
KEY#	PART#	DESCRIPTION	QTY
1	331739	WIRE HARNESS, SF, 8-12HP, 8&S	1
2	41482	PRESS CLIP, 1.380 LONG .255 ID	2
3	303064	ASSEMBLY, LIGHT WIRE-1/4 TURN	1
4	52572	BULB, HEADLAMP	2
5	57444	TIE, CABLE BLACK NYLON, 5.62 LONG	1
6	41482	PRESS CLIP, 1.380 LONG .255 ID	2
9	327354	SWITCH,IGNITION & LIGHTS DELTA	1
10	327352	NUT, 5/8-8ACME DELTA FOR BOOT	1
11	327350	KEY, IGNITION	1
12	57476	SWITCH, SCREW MOUNT, DP, NC, NO BLACK	2
13	300302	SCREW, #10 X .50 HMTAPPST, BLACK	4
14	53716	SOLENOID	1
15	187745	SCREW, 1/4-20 X .75 HXSEMMA	2
16	1084	WASHER, FLAT .281 X 1.00 X .063	1
17	1502	NUT, 1/4-20 REGHEXCTRCLK	2
18	271172	NUT, 1/4-20 REGHEXKEPS	1
19	271187	NUT, 5/16-24 HKEPS	2
20	55511	WIRE, GROUND, 12.5"	1
21	271184	NUT, 5/16-18 HEXKEPS	1
22	57547	SWITCH, SEAT	1
23	160505	SCREW, 1/4-20 X .38 PHPNHMA	2
24	92893	BATTERY, 12V, MAINTENANCE FREE	1
25	329175	BATTERY BRACKET	1
26	995346	SCREW, 1/4-20 X .50 WAHTTAP	1
27	187745	SCREW, 1/4-20 X .75 HXSEMMA	1
28	1502	NUT, 1/4-20 REGHEXCTRCLK	1
29	180020	SCREW, 1/4-20 X .75 HHC	2
30	271172	NUT, 1/4-20 REGHEXKEPS	2
31	302031	FUSE, SPADE TYPE, 32V, 15A	1
32	9149	BRACKET, CABLE RETAINER	1
33	57444	TIE, CABLE BLACK NYLON, 5.62 LONG	1
34	308201	INSULATOR, BATTERY BOOT	1
35	124818	NUT, 1/4-20 REGHXJAM	1

SCHEMATIC DRAWING



F3554-470

REPAIR PARTS

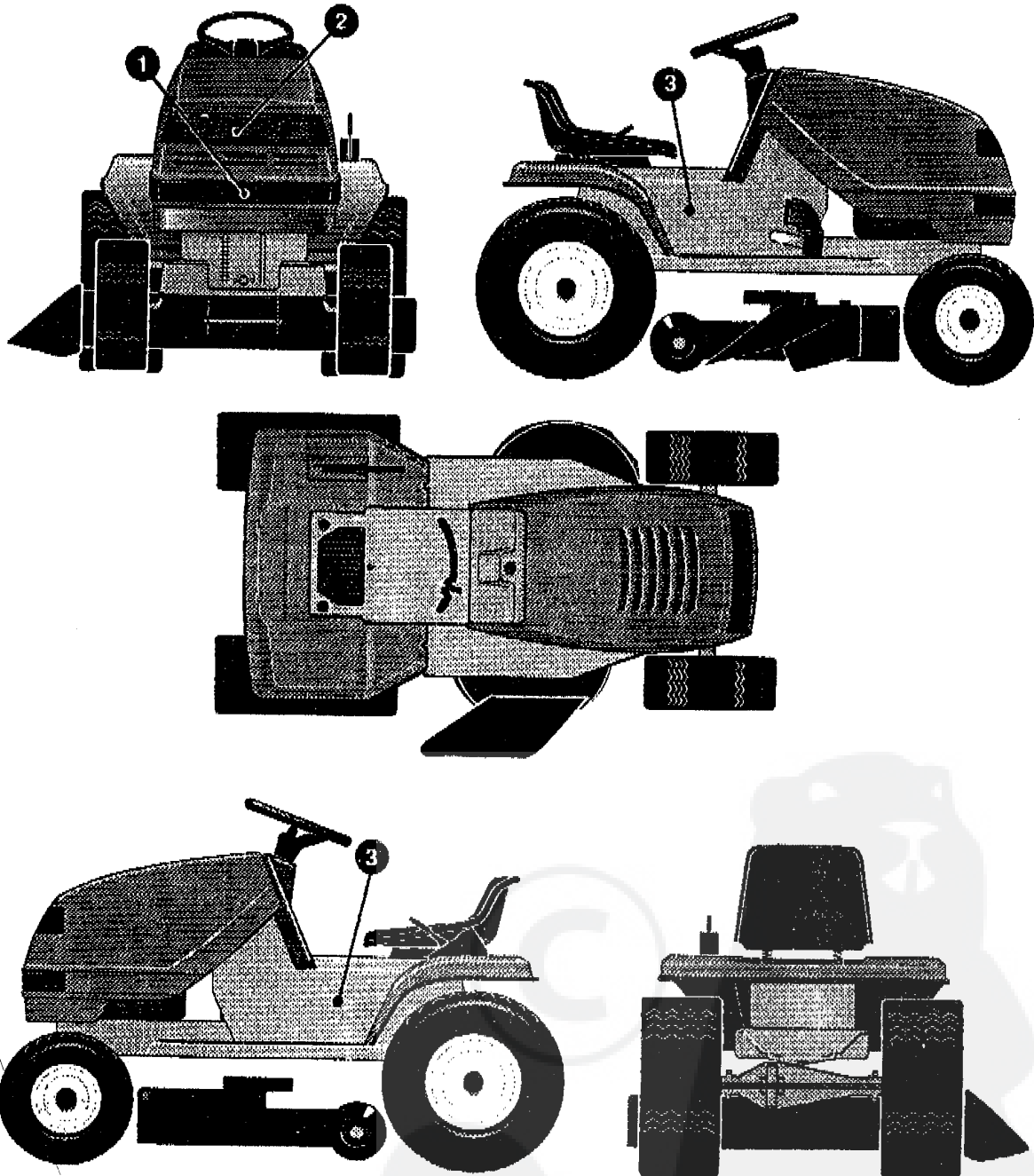


KEY#	PART#	DESCRIPTION	QTY
1	402700	DECAL, CAUTION, DECK, LH	1
2	402701	DECAL, CAUTION, DECK, RH	1
3	305603	PAD, 18 X 6 FOAM HOOD	2
4	307276	PAD, 15 X 7 FOAM HOOD	1
5	307277	PAD, 12 X 4 FOAM HOOD	1
6	326687	DECAL, DASH, EXPORT	1
7	402689	DECAL, CONSOLE, SYMBOLIC, CAUTION	1
8	311394	DECAL, SHIFT REVERSE/NEUTRAL	1
9	331013	DECAL, SHIFTER POSITION	1
10	402214	DECAL, HEIGHT ADJUST	1
11	402702	DECAL, BRAKE/CLUTCH	1

335400 A.

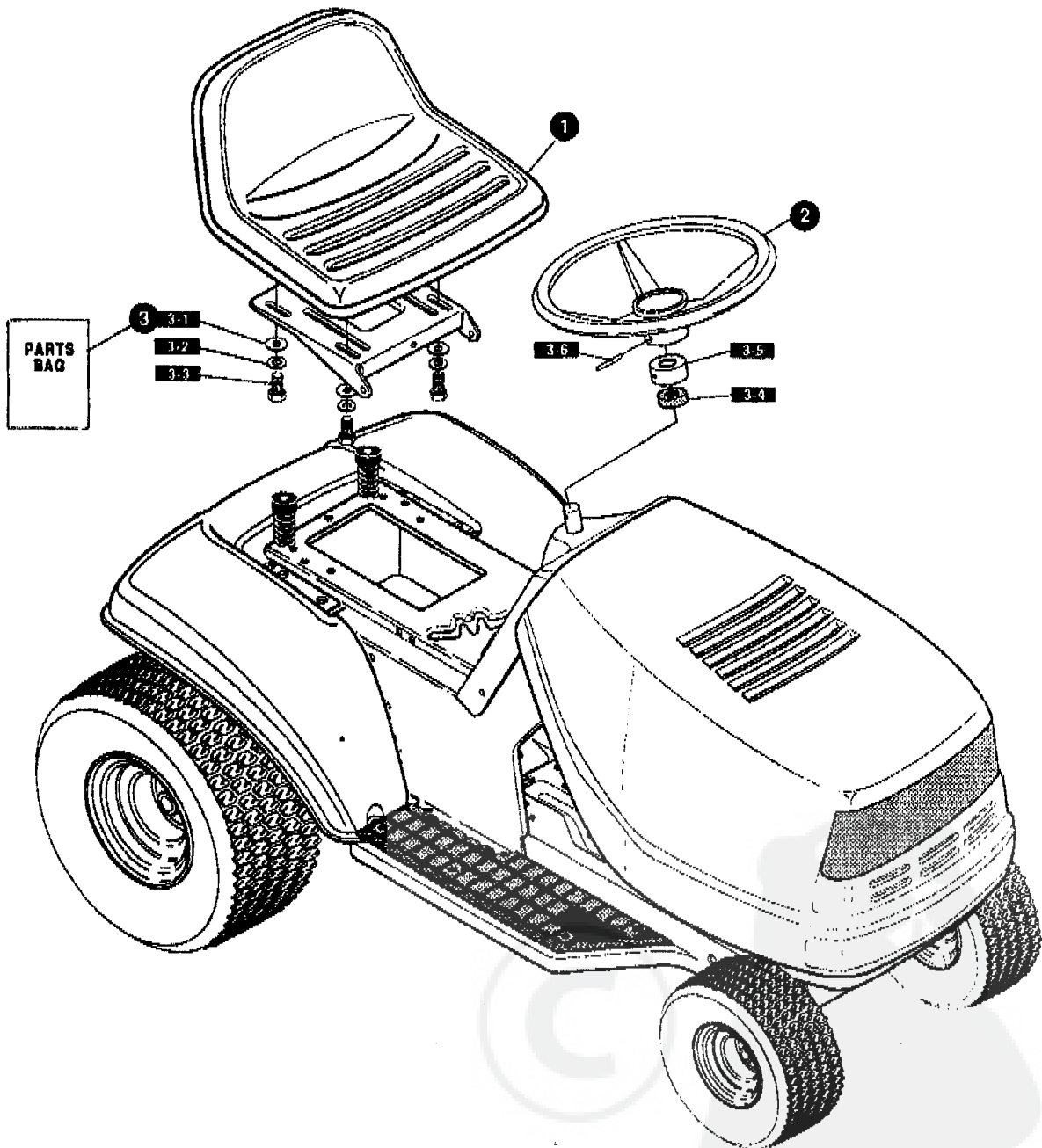
F3554-470

DECAL ASSEMBLY



KEY#	PART#	DESCRIPTION	QTY
1	322699	DECAL, TAPE, H13, 8MIL, VINYL.....	1
2	308402	FOIL, LENS, HOOD REFLECTOR.....	1
3	314208	NAMEPLATE, 12/38, WHITE.....	2

335068 A

F3554-470**CUSTOMER ASSEMBLY**

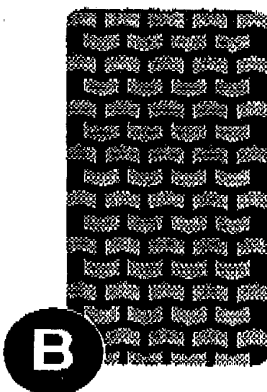
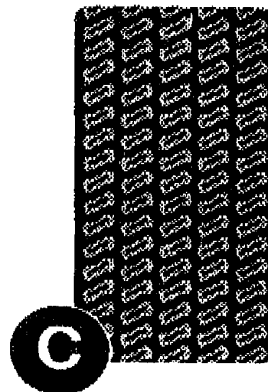
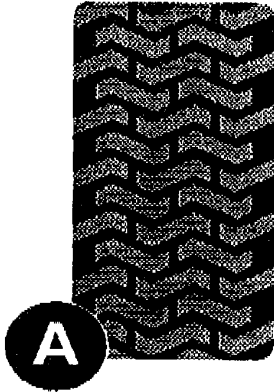
KEY#	PART#	DESCRIPTION	QTY
1	304314	SEAT, MICHIGAN GEN. W/SWITCH HOLE	1
2	330510	STEERING WHEEL	1
3	331424	PARTS BAG, ASSEMBLY SEAT/STEER	1
3-1	120393	WASHER, FLAT 344 X .69 X .065	4
3-2	120638	WASHER, HVSPTLK .328 X .60 X .09	4
3-3	180077	SCREW, 5/16-18 X .75 HHC	4
3-4	331322	COVER, STEERING SHAFT	1
3-5	301419	SPACER, STEERING SHAFT	1
3-6	456378	PIN, SPRING .250 DIA X 2.00 LONG	1

327405 D

F3554-470

TIRE TREAD PAGE

TREAD PATTERNS

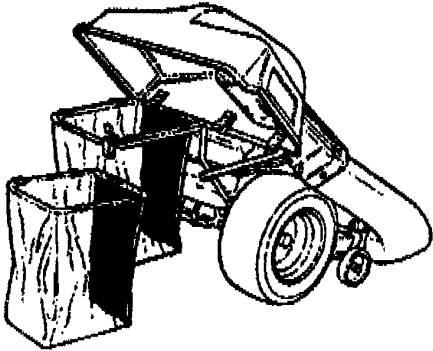


TIRE SIZE	"A"	"B"	"C"	"D"	"E"
11 X 4.00 - 5	42295	319679			
13 X 5.00 - 6	41060	319680			
15 X 6.00 - 6	39830	316702	301140	313952	
16 X 4.80 - 8		305035			
16 X 6.50 - 8	41081	319682		314539	
18 X 6.50 - 8		42091			
18 X 8.50 - 8	319683	317400			
18 X 9.50 - 8	41106	316701		313950	
20 X 8.00 - 8	319685	319684	57164	314584	331606
20 X 10.00 - 8	58276	319686		313654	
20 X 10.00 - 10	55893	319687			
23 X 9.50 - 12	53655	319690	319689	314370	

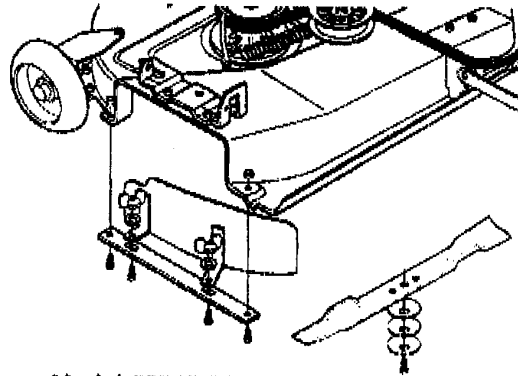
316711 D

F3554-470**ACCESSORIES**

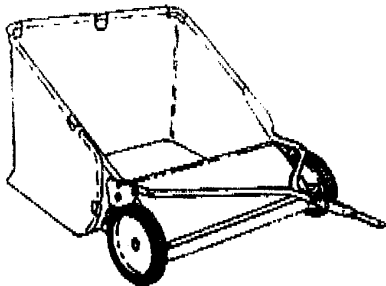
Contact the dealer where your tractor was purchased for the available accessories. If you are unable to contact the dealer, write to the address on the warranty page of your Operator's Manual..

STANDARD LAWN TRACTOR

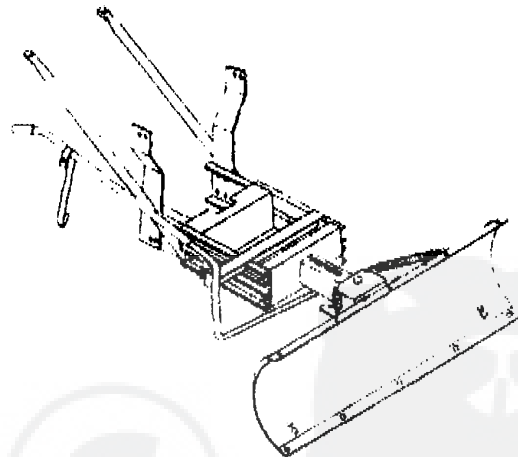
Model # 5708-13
Grass Collector for 39" decks
For heavy duty grass collection
order Model # 5709-10 Air Assist



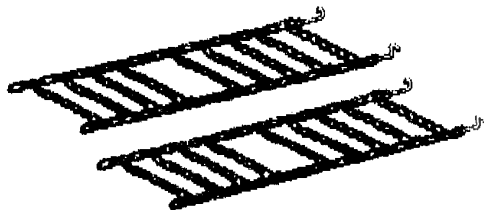
Model #5715-00
Mulching Kit (39" Deck)



Model # 5648-16
Tow behind Lawn Sweeper for
Grass and leaves



Model #5661-09
42" Snowblade - Fits 36", 38", 39", & 45"



Model # 5579-00
Tire Chains - 18" x 8.50" tires

OTHER ACCESSORIES

Model	Description
5872-01	Wheel Weights - Front - 1 pr. w/mtg. hdw. - Fits 15" tires
5873-02	Wheel Weights - Rear - 1 pr. w/mtg. hdw. - Fits 18" & 20" tires
306932	39" High lift blade for bagging or side discharge (requires 2)
326160	39" Mulching blade (requires 2)