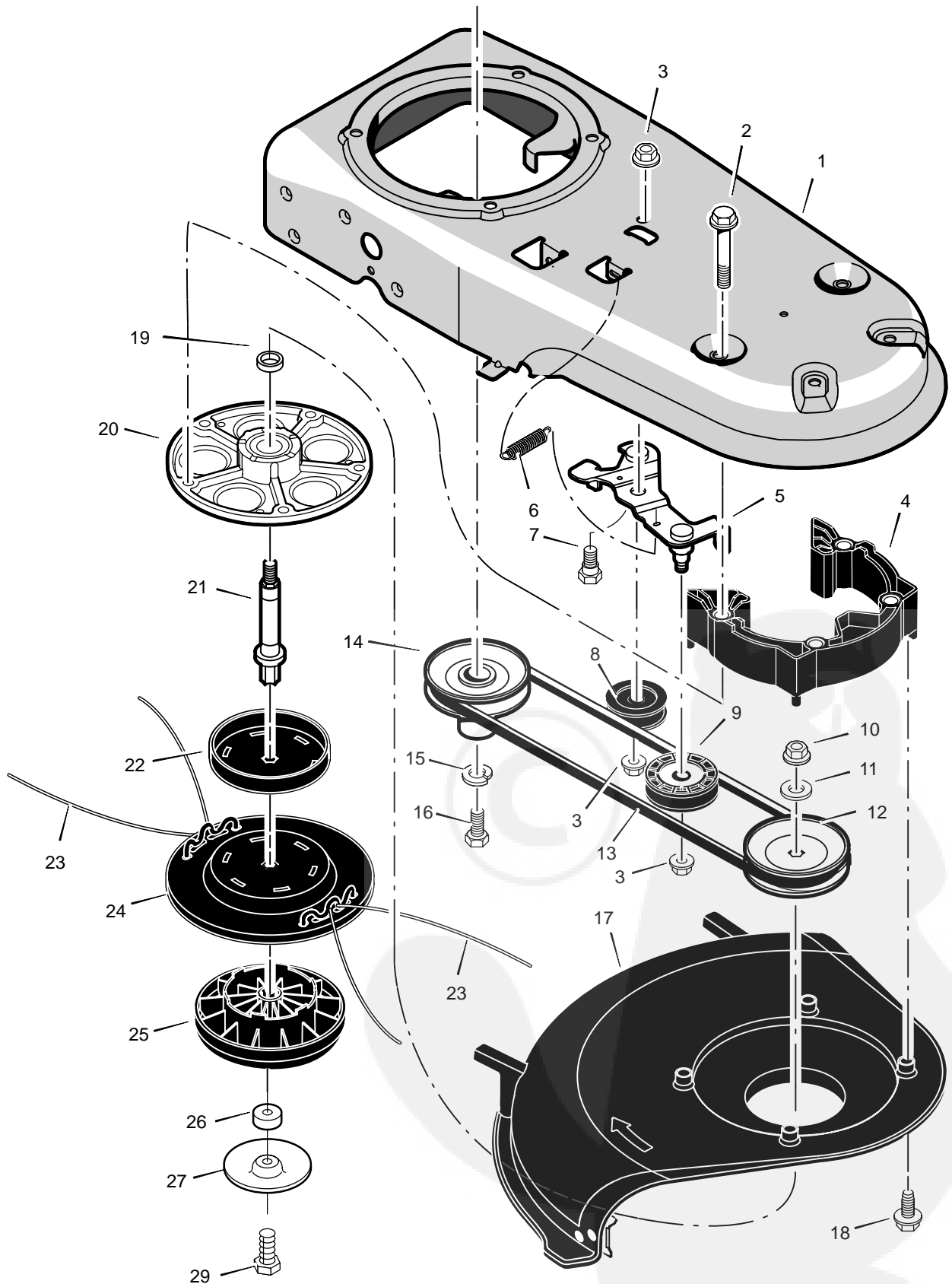


Key No.	Description	Part No.
1	Engine	—
2	Shroud, Engine	1601001
3	Lever, Control	740198-860
4	Bolt	323035
5	Handle, Upper	740196
6	Bracket, Stop	1601013
7	Screw	710269
8	Nut	15x116
9	Guide, Rope	672510
10	Cable, Drive	740193
11	Control, Throttle	740194
12	Knob	740202
13	Washer	783000
14	Bolt, Carriage	711937
15	Handle, Lower	740285
16	Bolt	26x274
17	Nut	15x85
18	Wheel & Tire	740278
19	Bolt, Axle	713018
20	Bracket, Wheel	740280
21	Rod, Rear Guard Bolt	711935
22	Nut	15X116
23	Frame, Trimmer	740260-860
24	Bolt	710265
25	Guard, Rear	740282
29	Glasses, Safety	711890
30	Spacer, Sleeve	712491
—	Book, Instruction	F-010200M



Key No.	Description	Part No.
1	Frame, Trimmer	740260-860
2	Bolt	711978
3	Nut	15x84
4	Spacer Assembly, Jackshaft	740292
5	Bracket, Idler Assembly	740232
6	Spring	712403
7	Bolt, Shoulder	710200
8	Pulley, Idler	740183
9	Pulley, "V"	740244
10	Nut	15x119
11	Washer	710083
12	Pulley, Cutting Head	740266
13	Belt	740259
14	Pulley, Drive	740179
15	Washer	712147
16	Bolt	712146
17	Shield, Trimmer	740262
18	Bolt	710269
19	Spacer	740173
20	Housing, Jackshaft	1001049
21	Jackshaft	740264
22	Shield, Weed	740267
23	Line, 0.130" x 16.75 (24 pack)	7701012
24	Head, Cutting	740268-860
25	Guide, Height	740268
26	Spacer	1601027
27	Washer	710256
29	Bolt	1x179