

# MODEL 20407A, 20407x4A, 20407x199A, 20408x4A

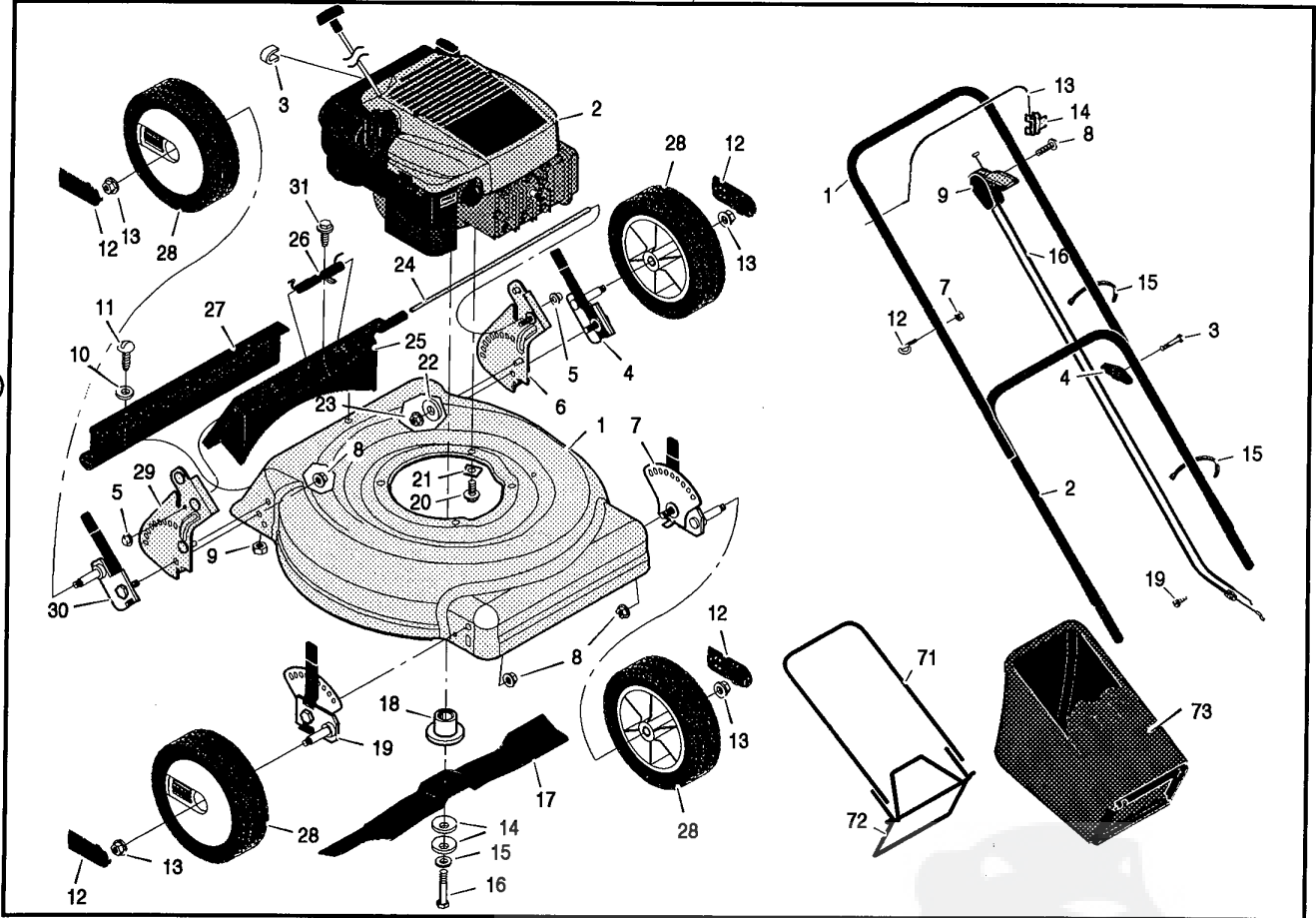
UNIT FULLY ASSEMBLED; 9 POSITION HEIGHT ADJUSTERS  
 FOLDING HANDLES; MULCH & BAG; MULCHER INSTALLED  
 ACCESSORIES: 24200 - REPLACEMENT BAGGER

DESCRIPTION  
 COLOR

20" 2-N-1 REAR DISCHARGE  
 BRITE RED

INSTRUCTION BOOK & PARTS LIST:

20407A, 20407xa4A, 20407x199A F-97420 ; 20408x4A F-97460



## MOWER HOUSING PARTS LIST

Key No.	Description	Part No.
1	Housing	776002
2	Engine TVS90-46085D	20407A
--	Book, Engine	F-88434
--	Engine TVS115-57052E	20407x4A
--	Book, Engine	F-88434
--	Engine LEV115-350001B	20407x199A
--	Book, Engine	F-96441
--	Engine TVS115-57037C	20408x4A
--	Book, Engine	F-88434
3	Stop, Rope (Recoil-Start)	42189
4	Adjuster, Left Height	671975
5	Push On Cap	28x42
6	Bracket, Left Handle	671943
7	Adjuster, Left Front	671973
8	Nut, Flange	15x68
9	Nut, Hex	15x102
10	Washer	17x38
11	Screw	4x21
12	Hub Cap - Optional	43615

Key No.	Description	Part No.
13	Nut, Flange	15x84
14	Washer, Belleville	17x137
15	Washer	17x124
16	Bolt	17x142
17	Blade	671921E701
18	Adapter, Blade	71056
19	Adjuster, Right Front	671972
20	Bolt, Engine	25x6
21	Support, Engine	671989
22	Washer	17x146
23	Nut, Flange	15x79
24	Rod, Pivot	215x17 Z
25	Door, Rear	671915
26	Spring	166x44
27	Guard, Rear	671970
28	Wheel (Light Gray)	672080
29	Bracket, Right Handle	671944
30	Adjuster, Right Height	671974
31	Screw	26x259

Key No.	Description	Part No.
71	Frame, Top	71592
72	Frame Assembly	672068
73	Bag, Cloth	672069

## HANDLE PARTS LIST

Key No.	Description	Part No.
1	Handle, Upper (Black)	671918E701
2	Handle, Lower (Black)	671917E701
3	Bolt	2x77
4	Knob, Plastic	71495
7	Locknut	15x116
8	Screw	3x144
9	Throttle Control	672146
12	Guide, Rope	43956
13	Engine Stop Lever	671924E700
14	Bracket, Stop Lever	43628 BC
15	Fastener, Cable	71372
16	Engine Stop Cable	672128
19	Screw	672218