

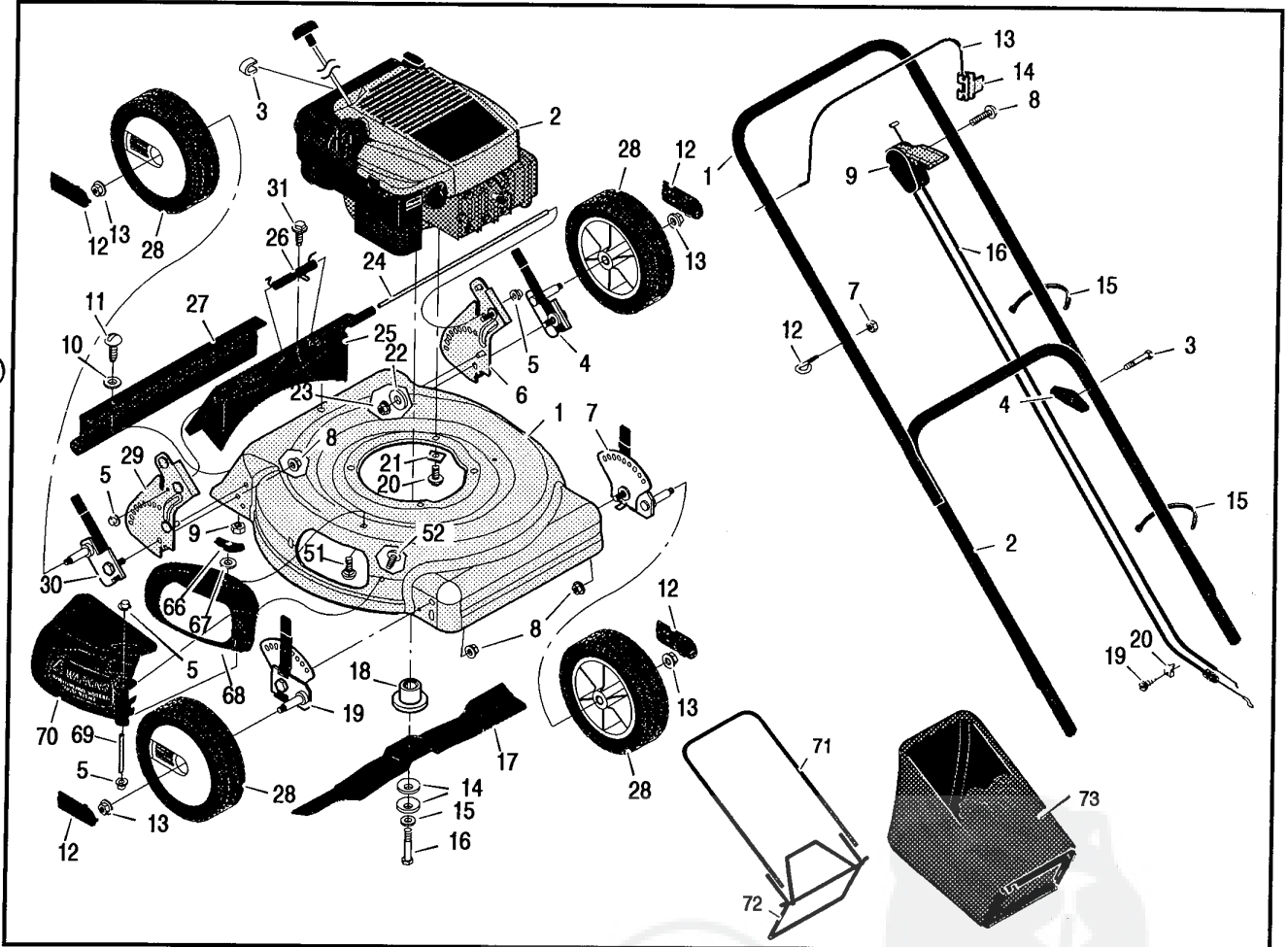
MODEL 20455X7A, 20455x8A

UNIT FULLY ASSEMBLED; 9 POSITION HEIGHT ADJUSTERS
 FOLDING HANDLES; MULCH & EZ DEFLECTOR SIDE DISCHARGE
 ACCESSORIES: 24200 - REPLACEMENT BAGGER

DESCRIPTION
 ENGINE
 COLOR

20" 3N1 REAR BAGGER PUSH
 5 HP B&S QUANTUM XTE CAL
 BRITE RED

INSTRUCTION BOOK AND PARTS LIST: 20455X7A F-97426 ; 20455X8A F-97442



MOWER HOUSING PARTS LIST

Key No.	Description	Part No.	Key No.	Description	Part No.	Key No.	Description	Part No.
1	Housing	776004	19	Adjuster, Right Front Hgt	671972	72	Frame Assembly	672068
2	Engine 12H802-1761-A1	-----	20	Bolt, Engine	25x6	73	Bag, Cloth	672069
	Book, Engine	F-97405	21	Support, Engine	671989	HANDLE PARTS LIST		
2	Engine 12H802-0661-01	-----	22	Washer	17x146			
	Book, Engine	F-97410	23	Nut, Flange	15x79	Key No.	Description	Part No.
3	Stop, Rope (Recoil-Start)	42189	24	Rod, Pivot	215x17 Z	1	Handle, Upper (Grey)	671918E701
4	Adjuster, Left Rear Height	671975	25	Door, Rear	671915	2	Handle, Lower (Grey)	671917E701
5	Push On Cap	28x42	26	Spring	166x44	3	Bolt	2x77
6	Bracket, Left Handle	671943	27	Guard, Rear	671970	4	Knob, Plastic	71495
7	Adjuster, Left Front Height	671973	28	Wheel	672060	7	Locknut	15x116
8	Nut, Flange	15x68	29	Bracket, Right Handle	671944	8	Screw	3x144
9	Nut, Hex	15x102	30	Adjuster, Right Rear Hgt	671974	9	Throttle Control	672141
10	Washer	17x38	31	Screw	26x259	12	Guide, Rope	43956
11	Screw	4x21	51	Bolt, Carriage	2x72	13	Engine Stop Lever	671924E700
12	Hub Cap - Optional	43615	52	Screw	26x221	14	Bracket, Stop Lever	43628 BC
13	Nut, Flange	15x84	66	Wingnut	71495	15	Fastener, Cable	71372
14	Washer, Belleville	17x137	67	Retainer, Push	28x64	16	Engine Stop Cable	672127
15	Washer	17x124	68	Bezel	671926	19	Screw	26x268
16	Bolt	17x142	69	Pin, Pivot	215x18Z	20	Clamp	42294
17	Blade	671921E701	70	Deflector, Chute	671927			
18	Adapter, Blade	71056	71	Frame, Top	71592			