

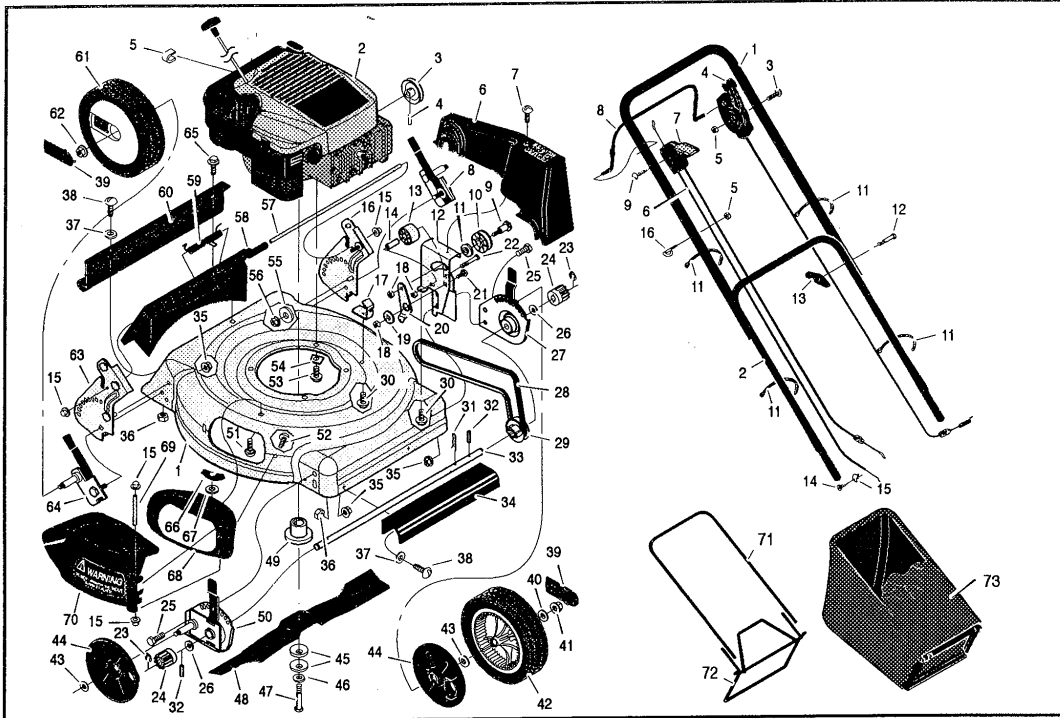
MODEL 20607X4A, 20607x199A

UNIT FULLY ASSEMBLED; 9 POSITION HEIGHT ADJUSTERS
FOLDING HANDLES; MULCHER INSTALLED; 3-N-1

DESCRIPTION
ENGINE
COLOR
ACCESSORIES:

20" 3-N-1 FRONT DRIVE
6 HP TECUMSEH CENTURA LX PRO
ULTRA GREEN
24200 - REPLACEMENT BAGGER

INSTRUCTION BOOK & PARTS LIST: 20607x4A & 20607x199A F-97445



MOWER HOUSING PARTS LIST

Key No.	Description	Part No.	Key No.	Description	Part No.	Key No.	Description	Part No.
1	Housing	776002	28	Belt	37x91	60	Guard, Rear	671970
2	Engine TVS120-66005A	20607x4A	29	Pulley, Axle	71791	61	Wheel, Rear (Light Gray)	672082
--	Book, Engine F-88434		30	Screw	26x263	62	Nut, Flange	15x81
2	Engine LEV115-360004A	20607x199A	31	Pin, Hair	31x9	63	Bracket, Right Handle	671944
--	Book, Engine F-96441		32	Pin, Spring	43629	64	Adjuster, Right Rear HT	671974
3	Pulley, Engine	71434	33	Axle	671931	65	Screw	26x259
4	Pin, Spring	32x64	34	Cover, Axle	671948	66	Wingnut	71294
5	Stop, Rope (Recoil-Start)	42189	35	Nut, Flange	15x68	67	Retainer, Push	28x64
6	Cover, Belt	672001	36	Nut, Hex	15x102	68	Bezel	671926
7	Screw	26x279	37	Washer	17x38	69	Pin, Pivot	215x18Z
8	Adjuster, Left Rear HT	671975	38	Screw	4x21	70	Deflector, Chute	671927
9	Bolt, Shoulder	9x50	39	Hub Cap - Optional	43615	71	Frame, Top	71592
10	Pulley	71779	40	Washer	17x169	72	Frame Assembly	672068
11	Spacer	71788	41	Nut, Flange	15x84	73	Bag, Cloth	672069
12	Bracket, Idler Support	671935 Z	42	Wheel, Drive (Light Gray)	672083			
13	Pulley, Idler	71778	43	Washer	17x120			
14	Bearing	71793	44	Cover, Dust	71780			
15	Push On Cap	28x42	45	Washer, Belleville	17x137			
16	Bracket, Left Handle	671943	46	Washer	17x124			
17	Bracket, Cable	671934	47	Bolt	17x142			
18	Nut, Hex	15x43	48	Blade	671921E701			
19	Spacer	71789	49	Adapter, Blade	71056			
20	Arm, Idler	671936	50	Adjuster, Right Front HT	671939			
21	Bolt, Carriage	2x53	51	Bolt, Carriage	2x81			
22	Bolt, Shoulder	1x81	52	Screw	26x221			
23	E-Ring	11x16	53	Bolt, Engine	25x6			
24	Gear, Pinion	71792	54	Support, Engine	671989			
25	Bolt	1x85	55	Washer	17x146			
26	Washer	17x186	56	Nut, Flange	15x79			
27	Adjuster, Left Front HT	671938	57	Rod, Pivot	215x17 Z			
			58	Door, Rear	671915			
			59	Spring	166x44			

HANDLE PARTS LIST

Key No.	Description	Part No.
1	Handle, Upper (Black)	671918E701
2	Handle, Lower (Black)	671917E701
3	Bolt	3x144
4	Control, Drive	672067
5	Locknut	15x116
6	Cable, Stop	672169
7	Throttle Control	672138
8	Lever, Stop	671922E701
9	Screw	3x144
11	Fastener, Cable	71372
12	Bolt	2x77
13	Knob	71495
14	Screw	26x268
15	Clamp	42294
16	Guide, Rope	43956

Walking Mowers