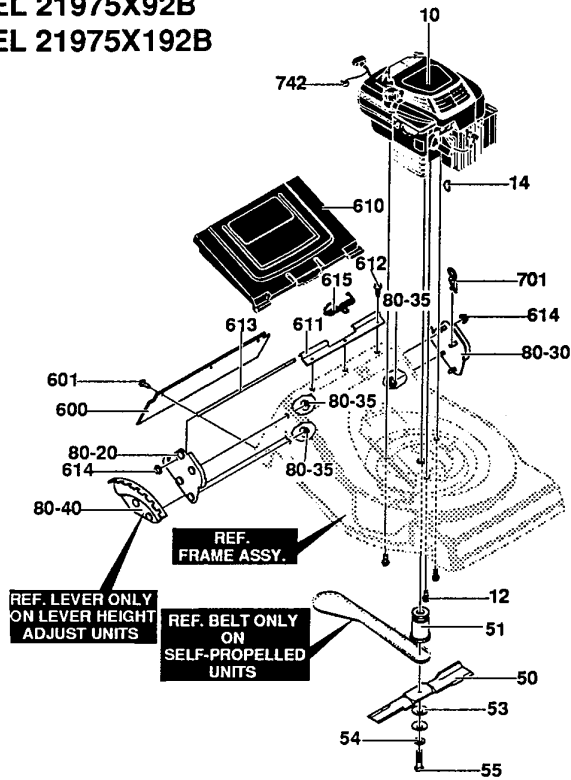


**MODEL 21975X92B
MODEL 21975X192B**

REPAIR PARTS



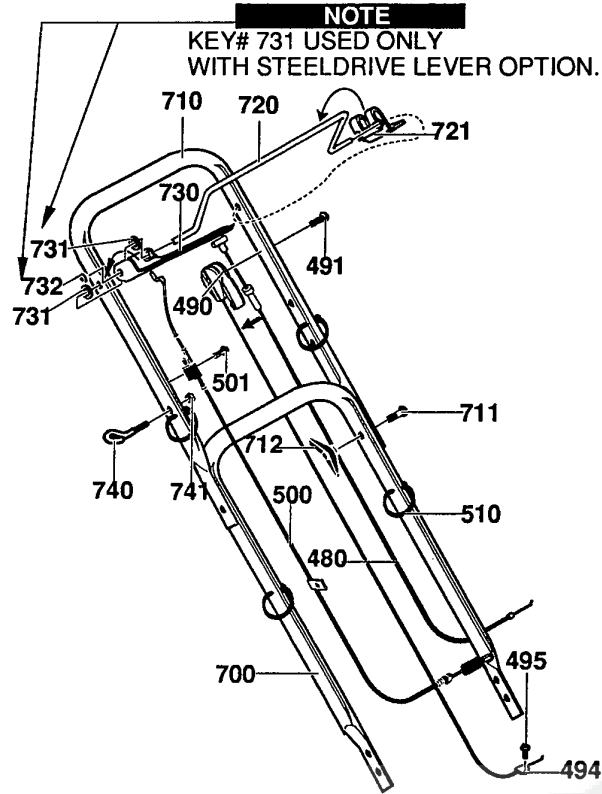
KEY#	PART#	DESCRIPTION
10	-	SEE ENGINE MANUAL
12	710265	SCREW, 3/8-16X1.00
14	2125	KEY, WDRF 505 .625X.156X.250
50	71584-848	BLADE, 21"X2.25" MULCH
51	671058	ADAPTER, BLADE
53	710210	WASHER.39IDX2.25ODX.12 BELLVIL
54	710207	WASHER, FLAT.406X.812X.06
55	710163	SCREW,3/8-24X1.50 HH
80	71762-848	ASSY,FRAME
80-20	71096	BRKT, RH HANDLE
80-30	671097	BRKT, LH HANDLE
80-35	710204	NUT,5/16-18 HEWDFLLK WHIZ
80-40	71575	ASS'Y, QUADRANT
600	43640	DEFLECTOR,REAR 21
601	710271	SCREW,10-16X.50HWASEMTAP
610	71409	DOOR, REAR
611	71410	SPACER,RR DOOR
612	710273	SCREW, 10-16X.50 WAHHSEMSAB
613	340822	ROD,PIVOT REAR DOOR
614	710285	CAP, PUSH ON .250
615	340823	SPRING, TORSION
701	710291	PIN, HAIR.062DIA
742	642189	STOP, ROPE

710641

341207A

**MODEL 21975X92B
MODEL 21975X192B**

REPAIR PARTS



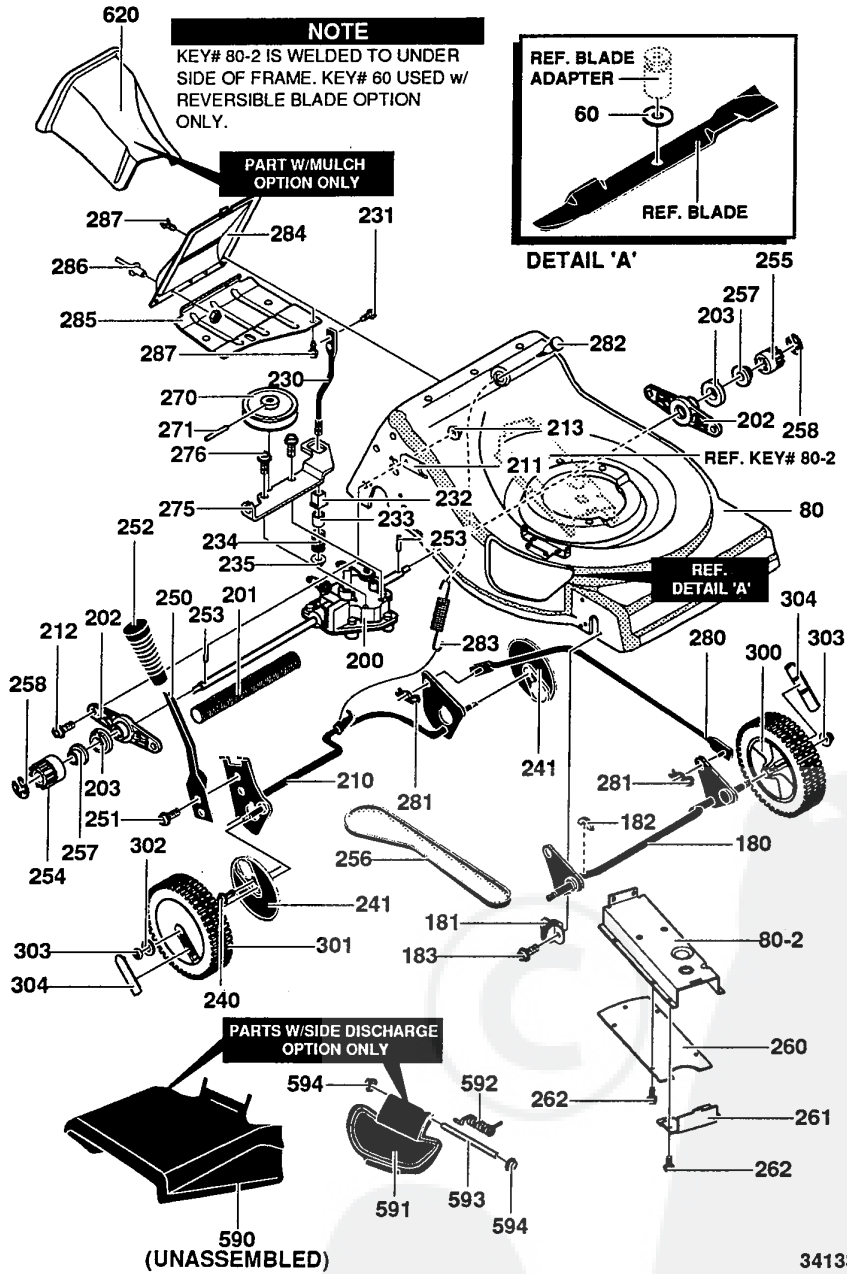
KEY#	PART#	DESCRIPTION
480	672126	CABLE, STOP
490	672133	CABLE, THROTTLE
491	710178	SCREW, 1/4-20X2.00 RDHDM
494	12425	CLAMP, THROTTLE QUANTUM
495	710275	SCREW, 10-32X.62 SLWAHTAP
500	672043	CABLE, DRIVE
501	710272	SCREW, #10X1.25 TAP.
510	671372	CABLE TIE
700	71137-846	HANDLE, LOWER
710	671581-846	HANDLE, UPPER
711	710175	BOLT, 5/16-18X2.00
712	671294	KNOB, WING 5/16-18
720	672117-860	LEVER, ENGINE STOP
721	643628	BRKT, STOP LEVER
730	671566	LEVER, DRIVE CONTROL
731	710491	WASHER, NYLON .281X1.0X.151
732	710286	CAP, RETAINER W/COVER
740	643956	GUIDE, ROPE 1/4-20 .50
741	710203	NUT, 1/4-20 HEXNYL 15X116

710641

341511 A

**MODEL 21975X92B
MODEL 21975X192B**

REPAIR PARTS



710641

341333A

**MODEL 21975X92B
MODEL 21975X192B**

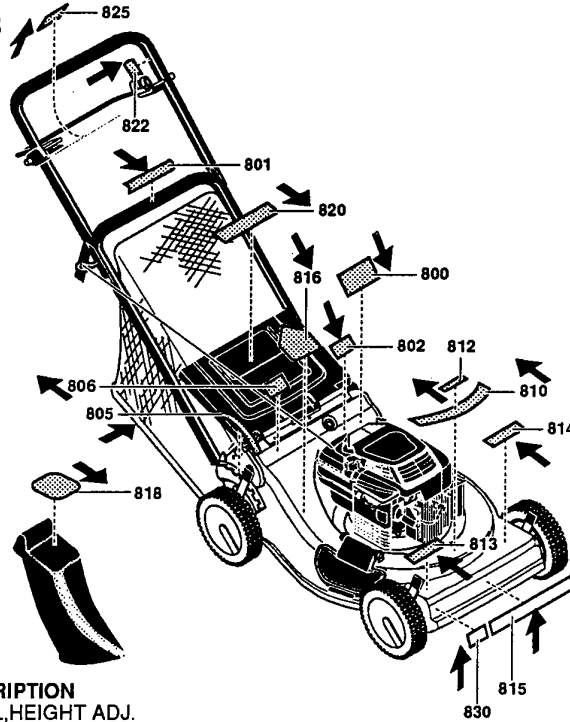
REPAIR PARTS

KEY#	PART#	DESCRIPTION
80	71762-848	ASSY,FRAME
80-2	71238	GUARD BELT
180	71152-848	ASS'Y,CROSSBAR FRONT
181	71167	CLIP, RETAINER FRT AXLE
182	43731	BUSHING, FRT HSG
183	710270	SCREW, 1/4-14X.50 HWATAP
200	672042	TRANSMISSION
201	643649	SHIELD, AXLE
202	671411	SUPPORT, AXLE W/BRNG
203	643788	BEARING, LIFTER
210	672172-848	ASS'Y,CROSSBAR
211	71482	RETAINER,BEARING
212	710174	SCREW,5/16-18X.75 HHCFLTH
213	710205	NUT, 5/16-18 WDFLLK
230	71481	SUPPORT, SPRING
231	710274	SCREW, 1/4-20X .63HHWATAPSERBZ
232	71480	BUSHING, SPRING SUPT
233	43844	SPACER,.508X.712X.563
234	710327	SPRING, COMPRESSION .37X1.00
235	710205	NUT, 5/16-18 WDFLLK (15X88)
240	710270	SCREW,1/4-14X.50 HWATAP Z,B&W
241	643616	DUSTCOVER, 8" WHEEL
250	671293	SPRING, LEVER HGT/ADJ REAR
251	710274	SCREW, 1/4-20X .63HHWATAPSERBZ
252	671297	KNOB, HGT/ADJ
253	643629	PIN, DRIVE .177X.750
254	671904	GEAR, PINION RH
255	671903	GEAR, PINION LH
256	710190	BELT,2L
257	710254	WASHER, FLAT .502 X .99 .031
258	20864	RING, RET E
260	43770-848	COVER, LOWER BELT GUARD
261	71239-848	COVER, FRONT BELT
262	710273	SCREW, 10-16X.50 WAHHEMSAB
270	671923	PULLEY, 2L
271	13424	PIN, SPRING
275	671925	BRACKET, TRANS CABLE
276	710264	SCREW, 1/4-20 X .50
280	43721-848	ASS'Y, LIFTER LINK
281	710292	PIN, HAIR .080 DIA X 1.63LG
282	71576	CLEVIS,PIN LIFT SPRING SUPT
283	710337	SPRING, EXTENSION
284	71246-848	COVER, REAR
285	71245-848	COVER, LOWER
286	710259	RIVET, POP .187DIA.X.44
287	710133	SCREW,HHWATAP 1/4X.50
300	672082	TIRE & RIM, 8X2.0
301	672083	WHEEL, DRIVE 8"X2.00
302	710252	WASHER, FLAT .382 X 1.0 X.03HT
303	710140	NUT,3/8-16HWDFLLK MACK 15X84
304	643615	HUBCAP, 8" WHEEL
590	71770	DEFLECTOR, CHUTE
591	71769	COVER, MULCH
592	340826	SPRING,TORSION .34X2.2 166X38
593	340827	ROD,PIVOT .25 X 4.68 215X16
594	710285	CAP, PUSH ON .250 DIA ROD
620	71250	PLUG, MULCHER-SMALL

710641

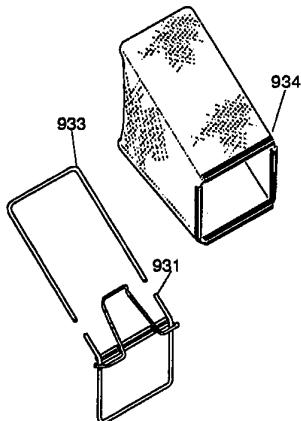
**MODEL 21975X92B
MODEL 21975X192B**

REPAIR PARTS



KEY#	PART#	DESCRIPTION
805	340820	DECAL, HEIGHT ADJ.
806	710298	DECAL, ALL WHEEL EZ ADJ.
810	710295	DECAL, "POWER TRAC 21"
813	710296	DECAL, 3N1 MULCH/BAG/MOW
814	710297	DECAL, 21" 3 WAY CUTTING
816	710443	DECAL, CUT FINGER-CHUTE
818	335631	DECAL, WARNING MUL. KIT PLUG
820	710299	DECAL, CAUTION

341330 A



710641

KEY#	PART#	DESCRIPTION
931	43666	ASS'Y, BAG FRAME
933	71592	FRAME, CATCHER BAG TOP
934	672040	CATCHER, BAG

326165A