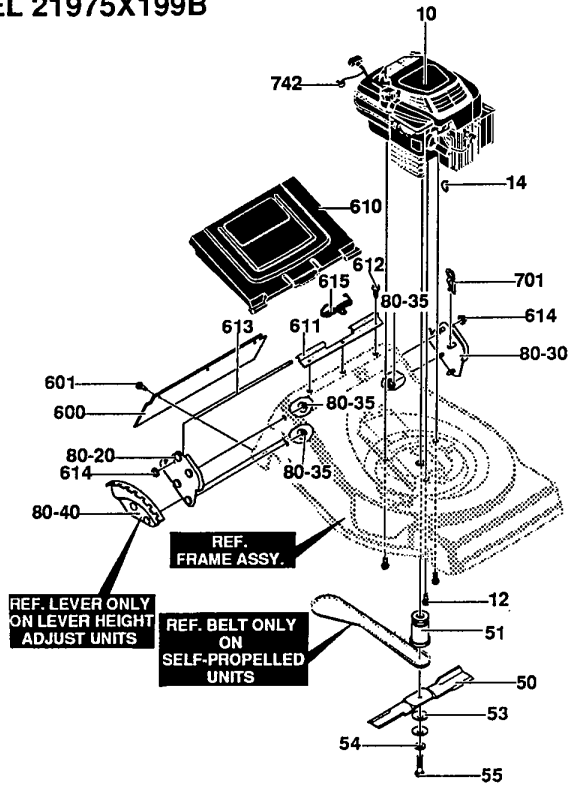


MODEL 21975X199B

REPAIR PARTS



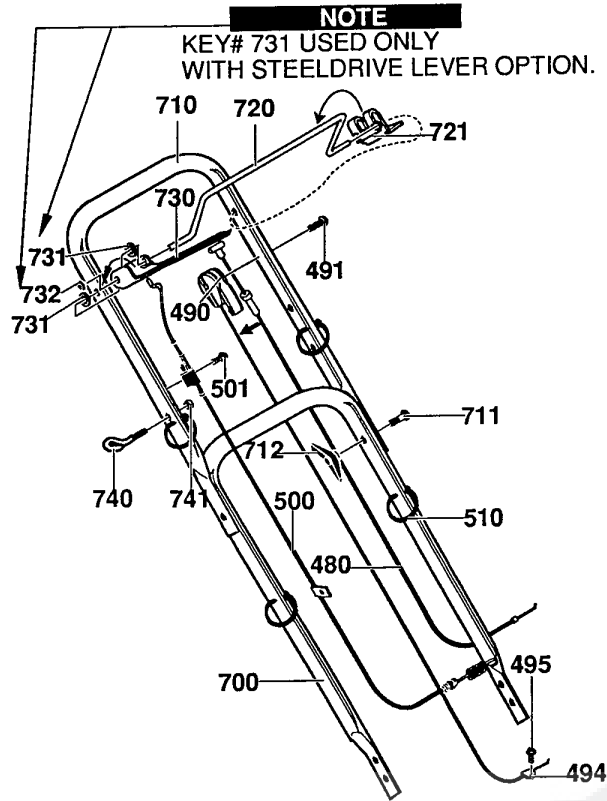
| KEY# | PART# | DESCRIPTION |
|-------|-----------|----------------------------------|
| 10 | - | SEE ENGINE MANUAL |
| 12 | 710265 | SCREW, 3/8-16X1.00 |
| 14 | 2125 | KEY, WDRF 505 .625X.156X.250 |
| 50 | 71584 | BLADE, 21"X2.25" MULCH |
| 51 | 671058 | ADAPTER, BLADE |
| 53 | 710210 | WASHER, .391DX2.25ODX.12 BELLVIL |
| 54 | 710207 | WASHER, FLAT.406X.812X.06 |
| 55 | 710163 | SCREW, 3/8-24X1.50 HH |
| 80 | 71762-850 | ASSY,FRAME |
| 80-20 | 71096 | BRKT, RH HANDLE |
| 80-30 | 671097 | BRKT, LH HANDLE |
| 80-35 | 710204 | NUT, 5/16-18 HEWDFLLK WHIZ |
| 80-40 | 71575 | ASS'Y, QUADRANT |
| 600 | 43640 | DEFLECTOR, REAR 21 |
| 601 | 710271 | SCREW, 10-16X.50HWASEMTAP |
| 610 | 71409 | DOOR, REAR |
| 611 | 71410 | SPACER, RR DOOR |
| 612 | 710273 | SCREW, 10-16X.50 WAHHSEMSAB |
| 613 | 340822 | ROD, PIVOT REAR DOOR |
| 614 | 710285 | CAP, PUSH ON .250 |
| 615 | 340823 | SPRING, TORSION |
| 701 | 710291 | PIN, HAIR.062DIA |
| 742 | 642189 | STOP, ROPE |

341207A

710622

MODEL 21975X199B

REPAIR PARTS



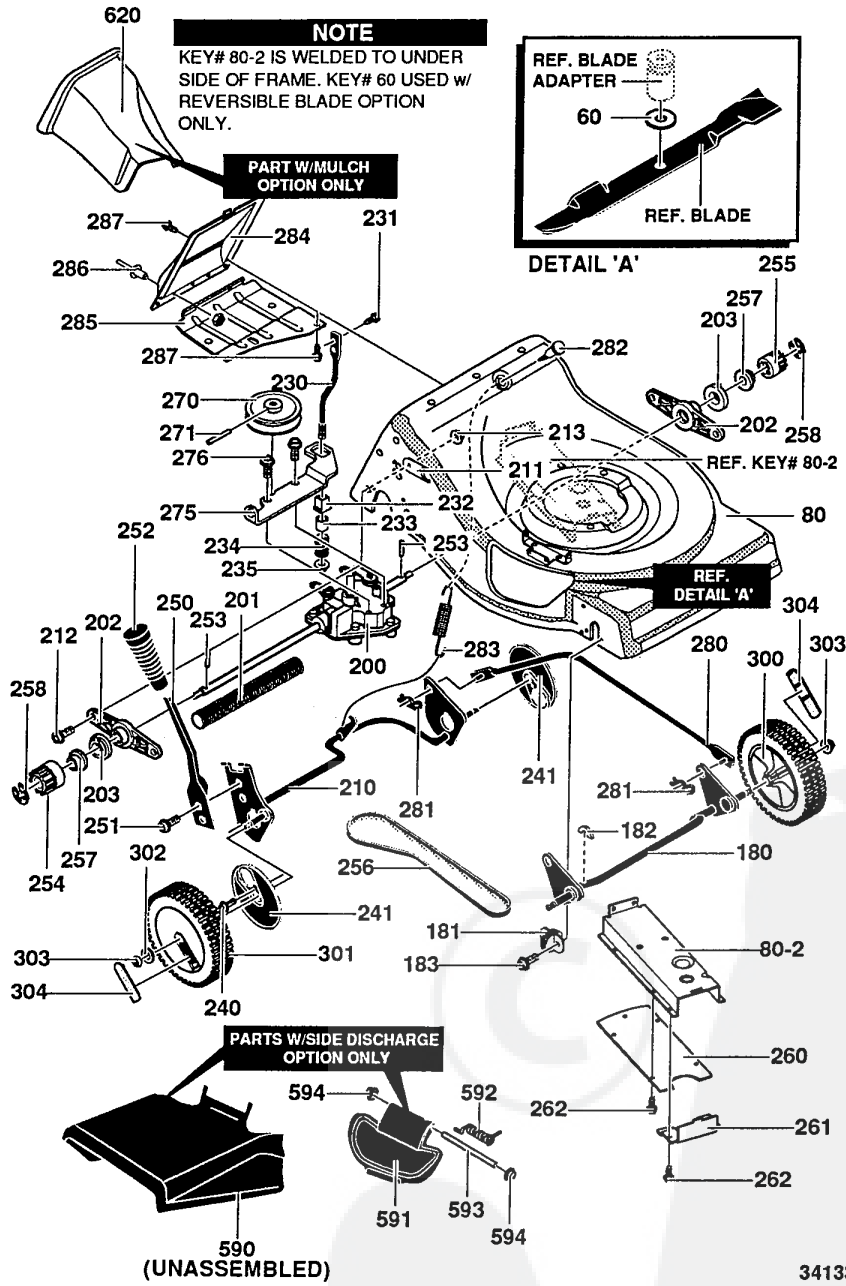
| KEY# | PART# | DESCRIPTION |
|------|------------|-----------------------------|
| 480 | 672126 | CABLE, STOP |
| 490 | 672143 | CABLE, THROTTLE |
| 491 | 710178 | SCREW, 1/4-20X2.00 RDHDM |
| 494 | 12425 | CLAMP, THROTTLE QUANTUM |
| 495 | 710275 | SCREW, 10-32X.62 SLWAHTAP |
| 500 | 672043 | CABLE, DRIVE |
| 501 | 710272 | SCREW, #10X1.25 TAP. |
| 510 | 671372 | CABLE TIE |
| 700 | 71137-846 | HANDLE, LOWER |
| 710 | 671581-846 | HANDLE, UPPER |
| 711 | 710175 | BOLT, 5/16-18X2.00 |
| 712 | 671294 | KNOB, WING 5/16-18 |
| 720 | 672117-850 | LEVER, ENGINE STOP |
| 721 | 643628 | BRKT, STOP LEVER |
| 730 | 671566 | LEVER, DRIVE CONTROL |
| 731 | 710491 | WASHER, NYLON .281X1.0X.151 |
| 732 | 710286 | CAP, RETAINER W/COVER |
| 740 | 643956 | GUIDE, ROPE 1/4-20 .50 |
| 741 | 710203 | NUT, 1/4-20 HEXNYL 15X116 |

341511 A

710622

MODEL 21975X199B

REPAIR PARTS



710622

341333A

MODEL 21975X199B

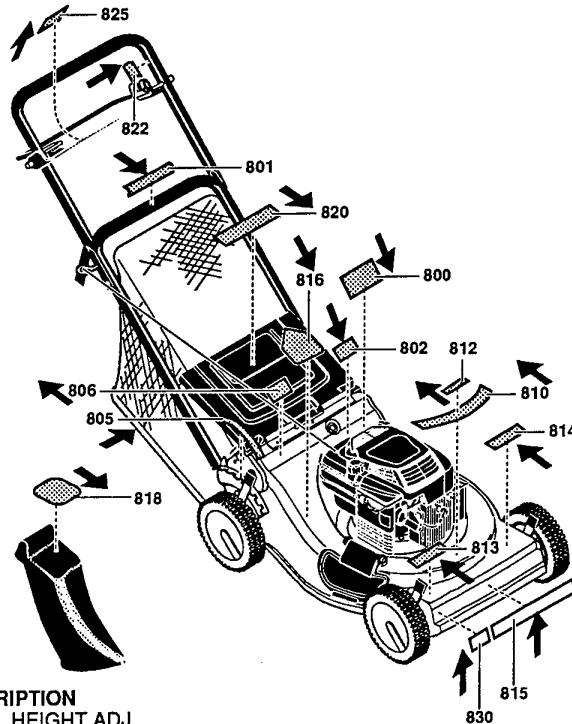
REPAIR PARTS

| KEY# | PART# | DESCRIPTION |
|------|------------|--------------------------------|
| 80 | 71762-850 | ASSY,FRAME |
| 80-2 | 71238 | GUARD BELT |
| 180 | 71152-850 | ASS'Y,CROSSBAR FRONT |
| 181 | 71167 | CLIP, RETAINER FRT AXLE |
| 182 | 43731 | BUSHING, FRT HSG |
| 183 | 710270 | SCREW, 1/4-14X.50 HWATAP |
| 200 | 672042 | TRANSMISSION |
| 201 | 643649 | SHIELD, AXLE |
| 202 | 671411 | SUPPORT, AXLE W/BRNG |
| 203 | 643788 | BEARING, LIFTER |
| 210 | 672172-850 | ASS'Y,CROSSBAR |
| 211 | 71482 | RETAINER, BEARING |
| 212 | 710174 | SCREW, 5/16-18X.75 HHCFLTH |
| 213 | 710205 | NUT, 5/16-18 WDFLLK |
| 230 | 71481 | SUPPORT, SPRING |
| 231 | 710274 | SCREW, 1/4-20X .63HHWATAPSERBZ |
| 232 | 71480 | BUSHING, SPRING SUPT |
| 233 | 43844 | SPACER, .508X.712X.563 |
| 234 | 710327 | SPRING, COMPRESSION .37X1.00 |
| 235 | 710205 | NUT, 5/16-18 WDFLLK (15X88) |
| 240 | 710270 | SCREW, 1/4-14X.50 HWATAP Z,B&W |
| 241 | 643616 | DUSTCOVER, 8" WHEEL |
| 250 | 671293 | SPRING, LEVER HGT/ADJ REAR |
| 251 | 710274 | SCREW, 1/4-20X .63HHWATAPSERBZ |
| 252 | 671297 | KNOB, HGT/ADJ |
| 253 | 643629 | PIN, DRIVE .177X.750 |
| 254 | 671904 | GEAR, PINION RH |
| 255 | 671903 | GEAR, PINION LH |
| 256 | 710190 | BELT, 2L |
| 257 | 710254 | WASHER, FLAT .502 X .99 .031 |
| 258 | 20864 | RING, RET E |
| 260 | 43770-850 | COVER, LOWER BELT GUARD |
| 261 | 71239-850 | COVER, FRONT BELT |
| 262 | 710273 | SCREW, 10-16X.50 WAHHSEMSAB |
| 270 | 671923 | PULLEY, 2L |
| 271 | 13424 | PIN, SPRING |
| 275 | 671925 | BRACKET, TRANS CABLE |
| 276 | 710264 | SCREW, 1/4-20 X .50 |
| 280 | 43721-850 | ASS'Y, LIFTER LINK |
| 281 | 710292 | PIN, HAIR .080 DIA X 1.63LG |
| 282 | 71576 | CLEVIS, PIN LIFT SPRING SUPT |
| 283 | 710337 | SPRING, EXTENSION |
| 284 | 71246-850 | COVER, REAR |
| 285 | 71245-850 | COVER, LOWER |
| 286 | 710259 | RIVET, POP .187DIA.X.44 |
| 287 | 710133 | SCREW, HHWATAP 1/4X.50 |
| 300 | 672082 | TIRE & RIM, 8X2.0 |
| 301 | 672083 | WHEEL, DRIVE 8"X2.00 |
| 302 | 710252 | WASHER, FLAT .382 X 1.0 X.03HT |
| 303 | 710140 | NUT, 3/8-16HWDFLLK MACK 15X84 |
| 304 | 643615 | HUBCAP, 8" WHEEL |
| 590 | 71770 | DEFLECTOR, CHUTE |
| 591 | 71769 | COVER, MULCH |
| 592 | 340826 | SPRING, TORSION .34X2.2 166X38 |
| 593 | 340827 | ROD, PIVOT .25 X 4.68 215X16 |
| 594 | 710285 | CAP, PUSH ON .250 DIA ROD |
| 620 | 71250 | PLUG, MULCHER-SMALL |

710622

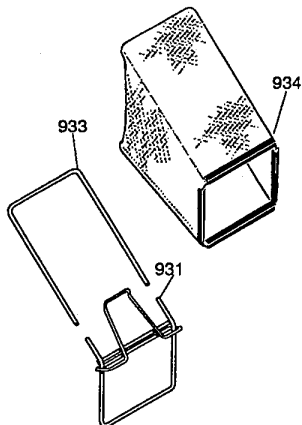
MODEL 21975X199B

REPAIR PARTS



| KEY# | PART# | DESCRIPTION |
|------|--------|------------------------------|
| 805 | 340820 | DECAL, HEIGHT ADJ. |
| 806 | - | NOT USED ON THIS UNIT |
| 810 | 710441 | DECAL, MURRAY ULTRA |
| 813 | 710442 | DECAL, MULCH/BAG/MOW |
| 814 | - | NOT USED ON THIS UNIT |
| 816 | 710443 | DECAL, CUT FINGER-CHUTE |
| 818 | 335631 | DECAL, WARNING MUL. KIT PLUG |
| 820 | 710299 | DECAL, CAUTION |

341330 A



| KEY# | PART# | DESCRIPTION |
|------|-------|------------------------|
| 931 | 43666 | ASS'Y, BAG FRAME |
| 933 | 71592 | FRAME, CATCHER BAG TOP |
| 934 | 71873 | CATCHER, BAG |

326165A

710622