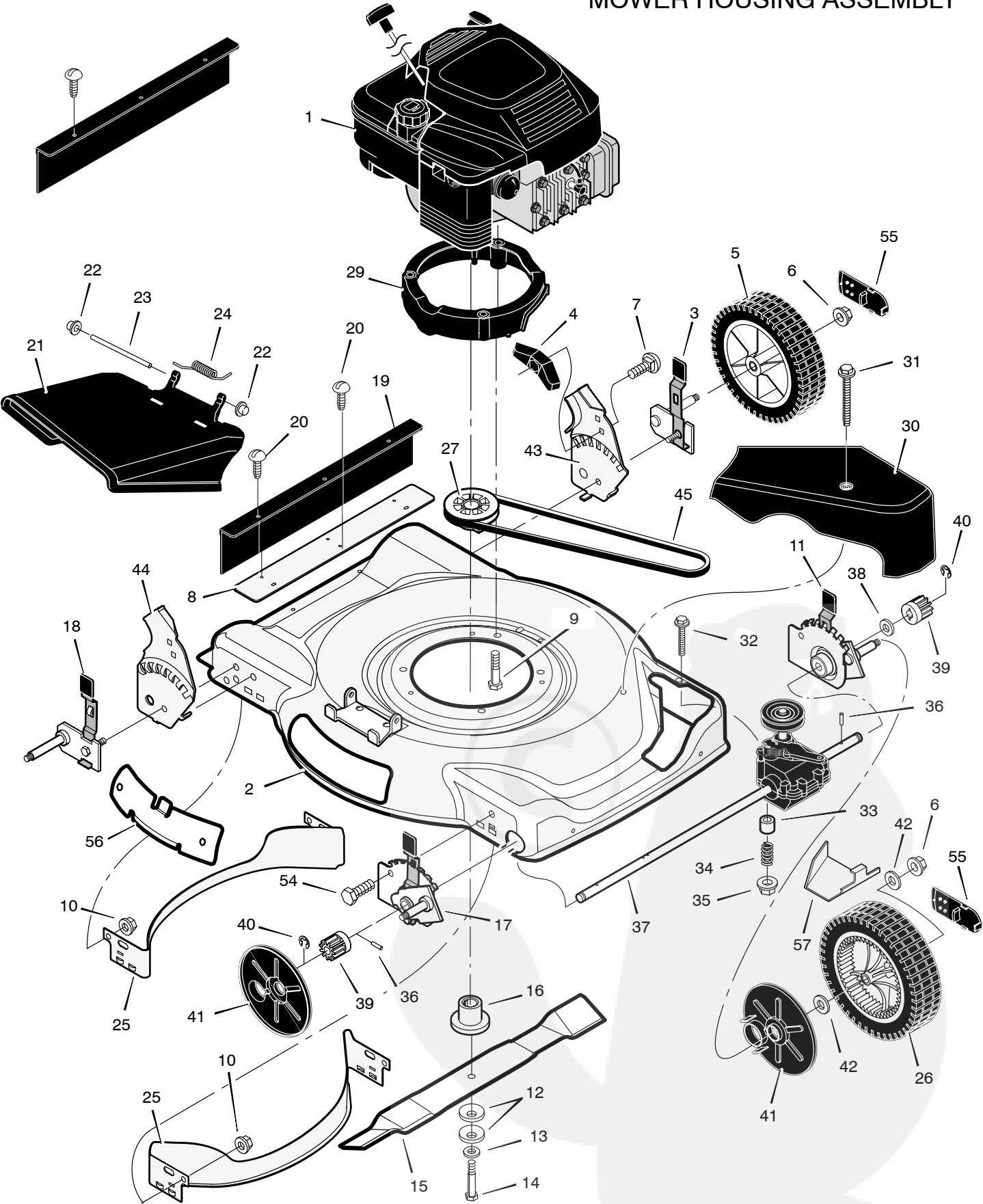


# 226110x52A

## MOWER HOUSING ASSEMBLY



# 226110x52A

## MOWER HOUSING ASSEMBLY

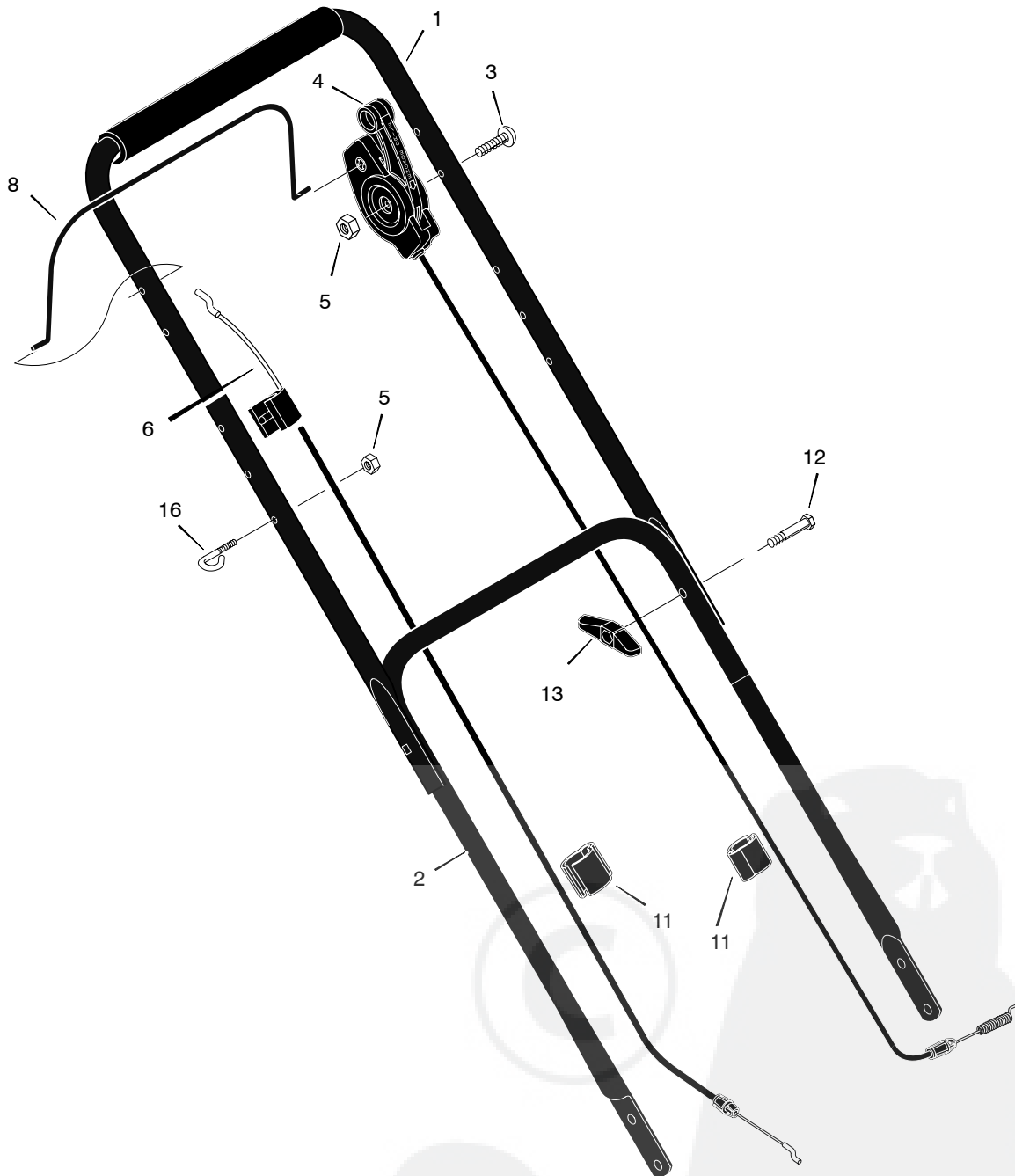
1	———	Engine *	27	1101653	Pulley
2	776023	Housing	29	1101786 1101787	Base, Engine (Black) Base, Engine (Gray)
3	672641	Height Adjuster, Left Rear	30	1101830 1101831	Cover, Belt (Black) Cover, Belt (Gray)
4	071495	Knob	31	26x313	Screw
5	071132	Wheel and Tire, Rear	32	01x118	Bolt
6	015x84	Locknut, Flange	33	043844	Spacer
7	002x81	Bolt, Carriage	34	164x27	Spring
8	672711E701	Extension, Rear	35	015x88	Nut
9	025x11	Bolt, Engine	36	043629	Pin, Drive
10	015x68	Nut	37	1101571	Transmission – <b>Note: There are no internal serviceable parts for the transmission.</b>
11	672643	Height Adjuster, Left Front	38	17x186	Washer
12	17x137	Washer, Belleville	39	071792	Gear, Pinion
13	17x124	Washer	40	011x16	E-Ring
14	01x148	Bolt, Hex	41	071780	Cover, Dust
15	1101120E701	Blade	42	17x169	Washer
16	672094	Adapter, Blade	43	1101303E700	Bracket, Left Handle
17	672642	Height, Adjuster, Right Frt.	44	1101302E700	Bracket, Right Handle
18	672640	Height, Adjuster, Right Rr.	45	37x123	Belt, Briggs & Stratton
19	672738	Guard, Rear	54	001x85	Bolt
20	26x245	Screw	55	043615	Hub Cap
21	672421	Deflector, Chute	56	672422 Z	Plate, Mulch – <i>Optional</i>
22	028x42	Push-On Cap	57	1101961	Cover, Transmission
23	215x11 Z	Pin, Pivot	–	F-040435L	Book, Instruction
24	0166x5	Spring			
25	672744E701	Baffle +			
26	071133	Wheel and Tire, Drive			

\* For information on Replacement Parts for this engine contact the manufacturer.

+ Included with Housing, Key No. 1.

# 226110x52A

## HANDLE ASSEMBLY



1	1101557E701 1101557E724	Handle, Upper (Black) Handle, Upper (Gray)	6	1101365	Cable, Stop
2	672906E701 672906E724	Handle, Lower (Black) Handle, Lower (Gray)	8	1101076E701	Lever, Stop
3	025x14	Bolt	11	1101353	Fastener, Cable
4	1101670	Control, Drive	12	002x77	Bolt
5	15x116	Locknut	13	071294	Knob
			16	071530	Guide, Rope