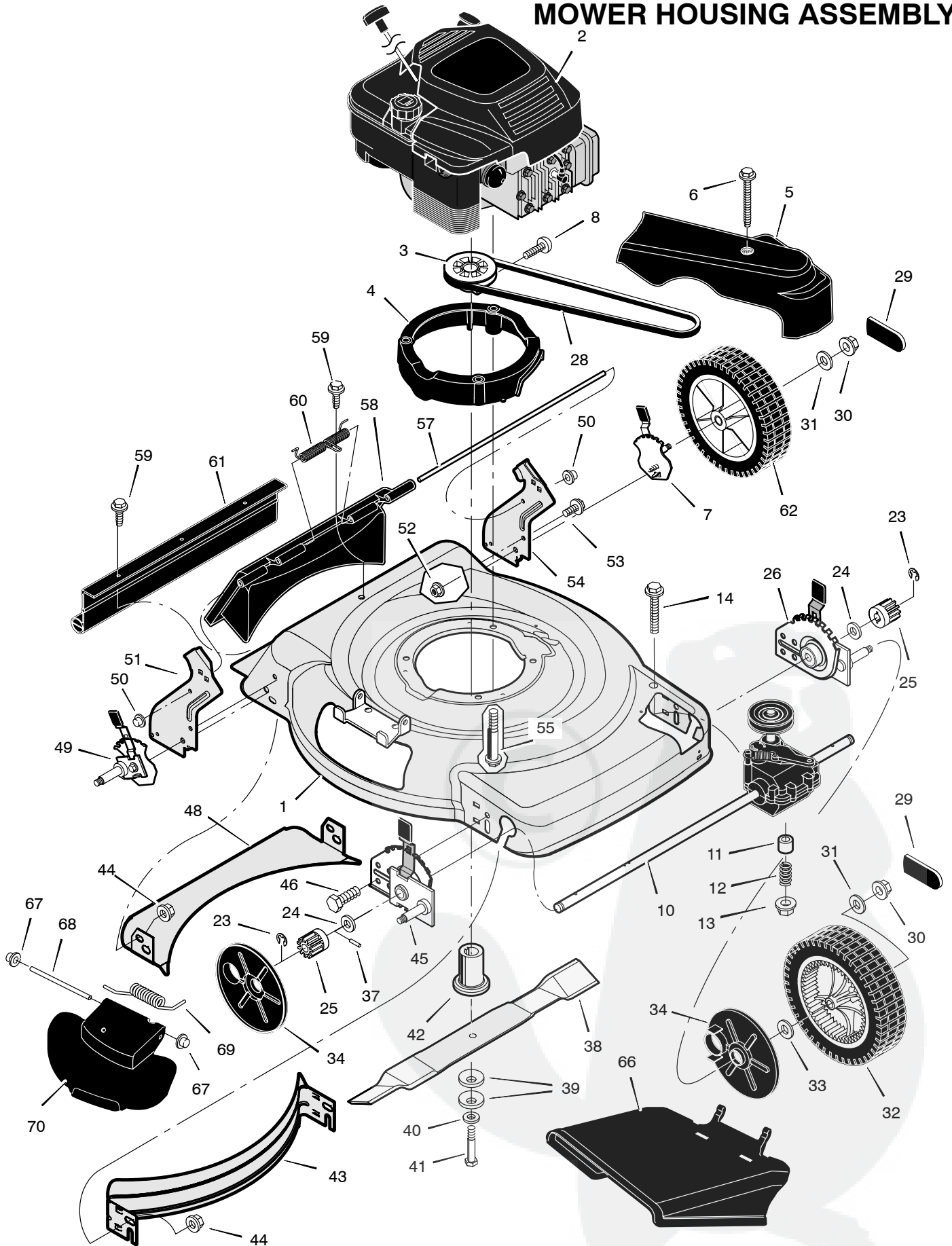


22865x50B

MOWER HOUSING ASSEMBLY



22865x50B

MOWER HOUSING ASSEMBLY

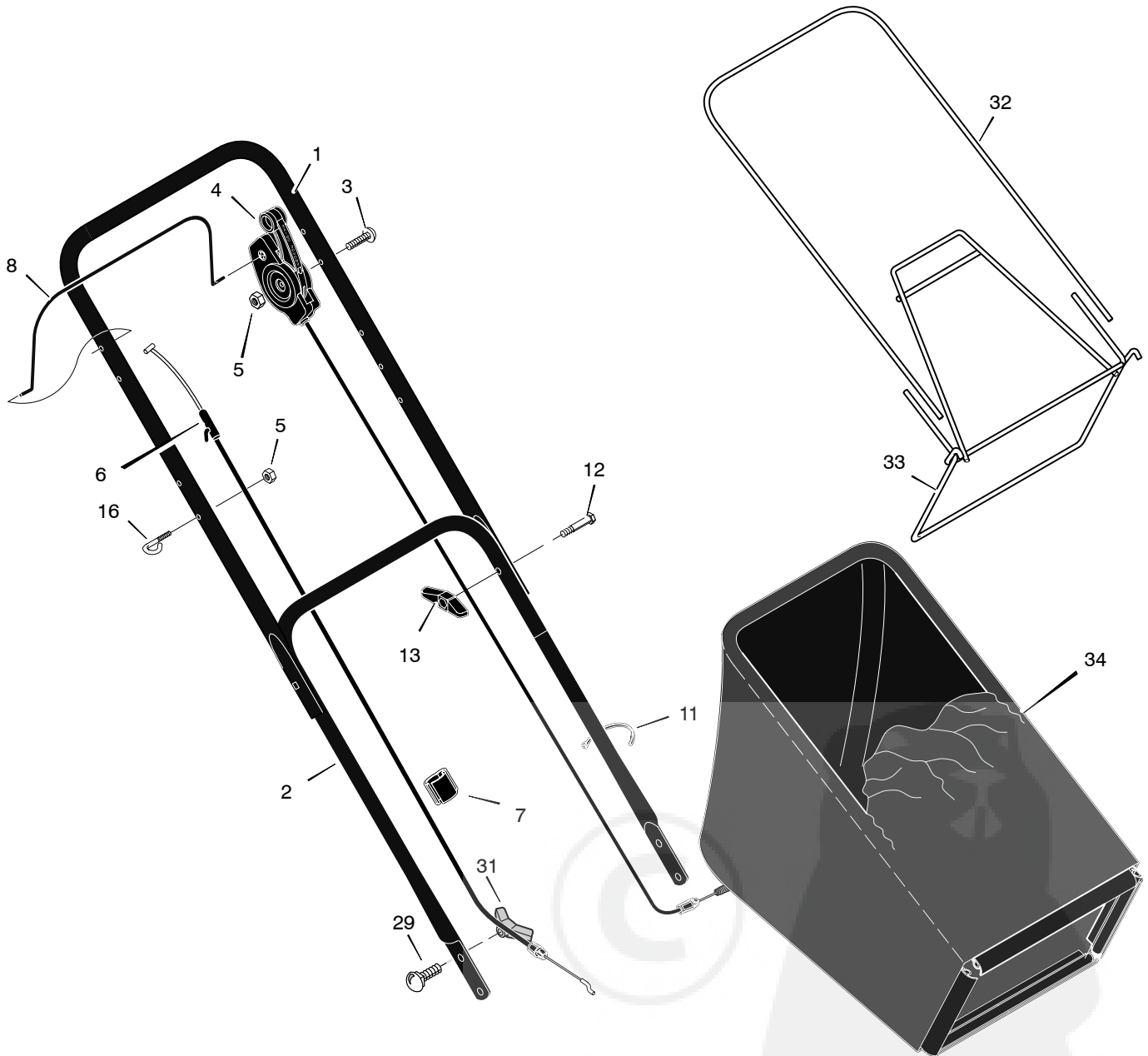
| Key No. | Part No. | Description | Key No. | Part No. | Description |
|---------|-------------|---|---------|-------------|------------------------------|
| 1 | 1101616e245 | Housing | 40 | 17x124 | Washer |
| 2 | ----- | Engine * | 41 | 01x144 | Bolt |
| 3 | 1101653 | Pulley, Drive | 42 | 1101336 | Adapter, Blade |
| 4 | 1101332 | Spacer, Engine (Black) | 43 | 672915E701 | Baffle, Front ** |
| 5 | 1101568 | Cover, Belt (Black) | 44 | 015x68 | Nut, Flange |
| 6 | 26x303 | Screw | 45 | 1101028 | Adjuster, Right Front Height |
| 7 | 672605 | Adjuster, Left Rear Height | 46 | 001x85 | Bolt |
| 8 | 26x303 | Screw | 48 | 672916E701 | Baffle, Rear ** |
| 10 | 1101571 | Transmission – Note: There are no internal serviceable parts for the transmission. | 49 | 672604 | Adjuster, Right Rear Height |
| 11 | 043844 | Spacer | 50 | 028x49 | Push On Cap |
| 12 | 164x27 | Spring, Compression | 51 | 1101238E701 | Bracket, Right Handle |
| 13 | 015x88 | Nut | 52 | 015x79 | Nut, Flange |
| 14 | 01x156 | Bolt | 53 | 001x45 | Bolt |
| 23 | 011x16 | E-Ring | 54 | 1101239E701 | Bracket, Left Handle |
| 24 | 17x186 | Washer | 55 | 025x11 | Bolt, Engine |
| 25 | 071792 | Gear, Pinion | 57 | 215x21 | Rod, Pivot |
| 26 | 1101029 | Adjuster, Left Front Height | 58 | 1101071 | Door, Rear (Gray) |
| 28 | 37x123 | Belt | 59 | 26x245 | Screw |
| 29 | 672122 | Cap, Hub | 60 | 166x44 | Spring |
| 30 | 015x84 | Nut, Flange | 61 | 1101105 | Guard, Rear |
| 31 | 17x169 | Washer | 62 | 071132 | Wheel & Tire, Rear |
| 32 | 071133 | Wheel & Tire, Drive | 66 | 672917 | Deflector, Chute |
| 33 | 017x75 | Washer | 67 | 028x42 | Push On Cap |
| 34 | 071780 | Cover, Dust | 68 | 215x19 Z | Rod, Pivot |
| 37 | 043629 | Pin, Drive | 69 | 166x38 | Spring, Torsion |
| 38 | 1101120E701 | Blade | 70 | 672920 | Cover, Mulch (Gray) |
| 39 | 17x137 | Washer, Belleville | -- | F-030423L | Book, Instruction |

* Parts are available from an Authorized Engine Service Center. See “Engines, Gasoline” or “Gasoline Engines” in the yellow pages of the telephone directory.

** Included with Housing, Key No. 1.

22865x50B

HANDLE & BAG ASSEMBLY



| Key No. | Part No. | Description |
|---------|-------------|-----------------|
| 1 | 1101557E724 | Handle, Upper |
| 2 | 672906E724 | Handle, Lower |
| 3 | 025x14 | Bolt |
| 4 | 1101670 | Control, Drive |
| 5 | 15x116 | Locknut |
| 6 | 1101365 | Cable, Stop |
| 7 | 1101353 | Fastener, Cable |
| 8 | 1101076E701 | Lever, Stop |
| 11 | 071372 | Fastener, Cable |

| Key No. | Part No. | Description |
|---------|----------|----------------|
| 12 | 002x77 | Bolt |
| 13 | 071294 | Knob |
| 16 | 071530 | Guide, Rope |
| 29 | 002x81 | Bolt, Carriage |
| 31 | 071495 | Knob, Plastic |
| 32 | 1101075 | Tube, Bag |
| 33 | 1101074 | Frame Assembly |
| 34 | 1101036 | Bag, Cloth |