

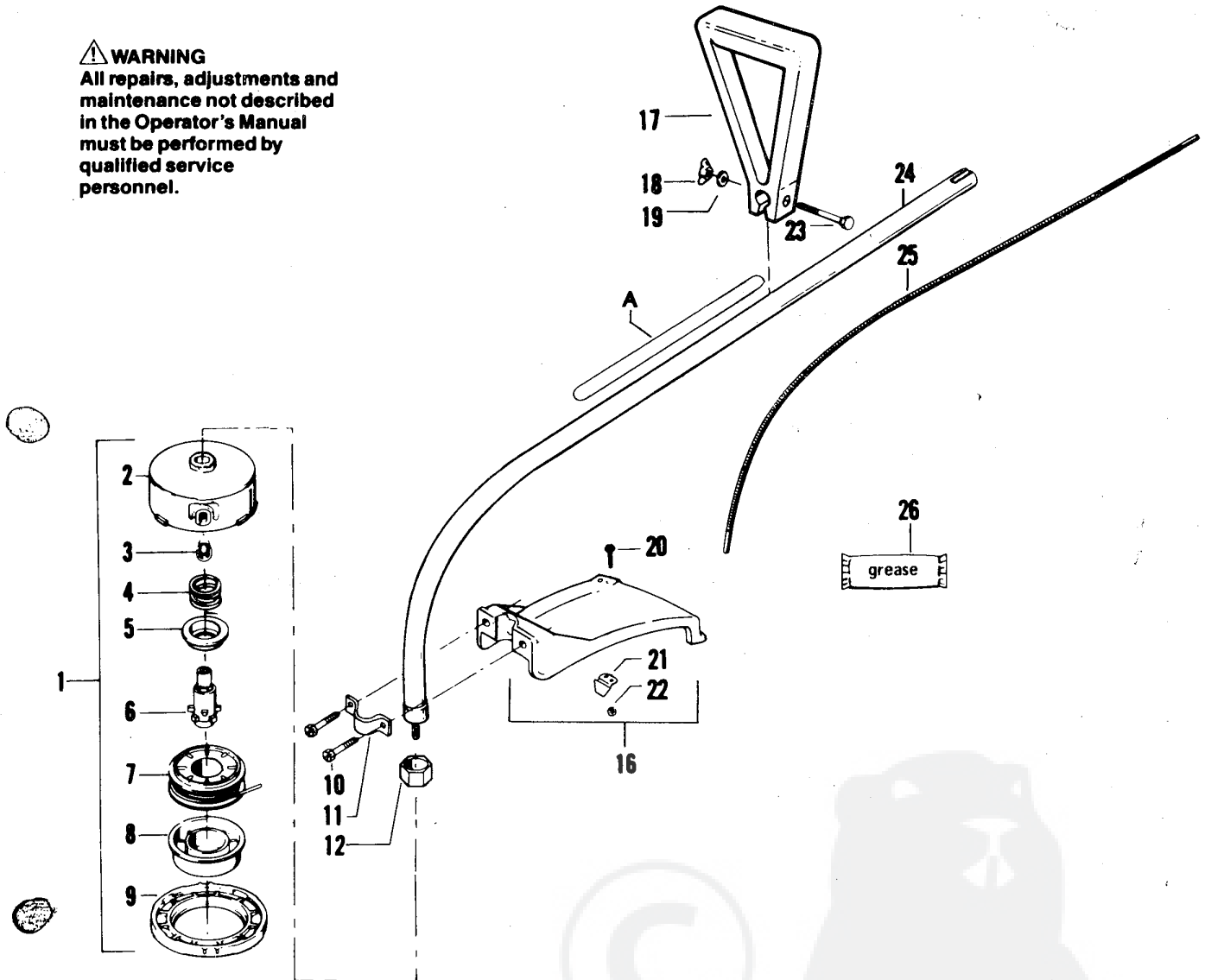
PARTS LIST NO. 107-23-97-98-1/15/88	
PAGE 1 of 4	REPLACES NONE

PARTNER® PARTS LIST

**LINE TRIMMER
MODEL T-225**

NOTE: Illustrations may differ from actual models due to design changes.

⚠ WARNING
All repairs, adjustments and maintenance not described in the Operator's Manual must be performed by qualified service personnel.



KEY NO.	PART NO.	DESCRIPTION	KEY NO.	PART NO.	DESCRIPTION
1	530 09 38-94	Cutting Head Ass'y. (Incl. #2-9)	17	530 09 39-00	Assist Handle
2	530 09 38-96	Hub w/Line Saver	18	530 09 13-73	Wing Nut - #1/4 - 20"
3	530 09 38-98	Line Saver	19	530 01 51-49	Washer - #1/4 Flat
4	530 09 20-67	Spring	20	530 01 50-37	Screw - Line Limiter (#10 - 24 - 1")
5	530 09 20-68	Adaptor-Spring	21	530 09 45-70	Limiter-Line
6	530 09 38-97	Drive Gear	22	530 01 52-17	Nut-Line Limiter
7	952 70 15-23	Spool w/Line	23	530 01 57-37	Screw
8	530 09 33-87	Release Button	24	530 09 39-43	Drive Shaft Ass'y. (Incl. #12)
9	530 09 21-33	Cover	25	530 09 39-35	Flexible Shaft Assembly
10	530 09 22-43	Screw - Shield	26	530 03 01-02	Flex Shaft Lube-Optional
11	530 09 36-53	Bracket-Shield			
12	530 09 37-16	Dust Cup	Decals		
16	530 06 92-49	Kit-Shield Assembly (Incl. #10, 20, 21 & 22)	A	530 02 74-30	Decal - Safety Label
			Not Shown		
			—	530 06 71-38	Operator's Manual
			—	530 06 10-13	Carton

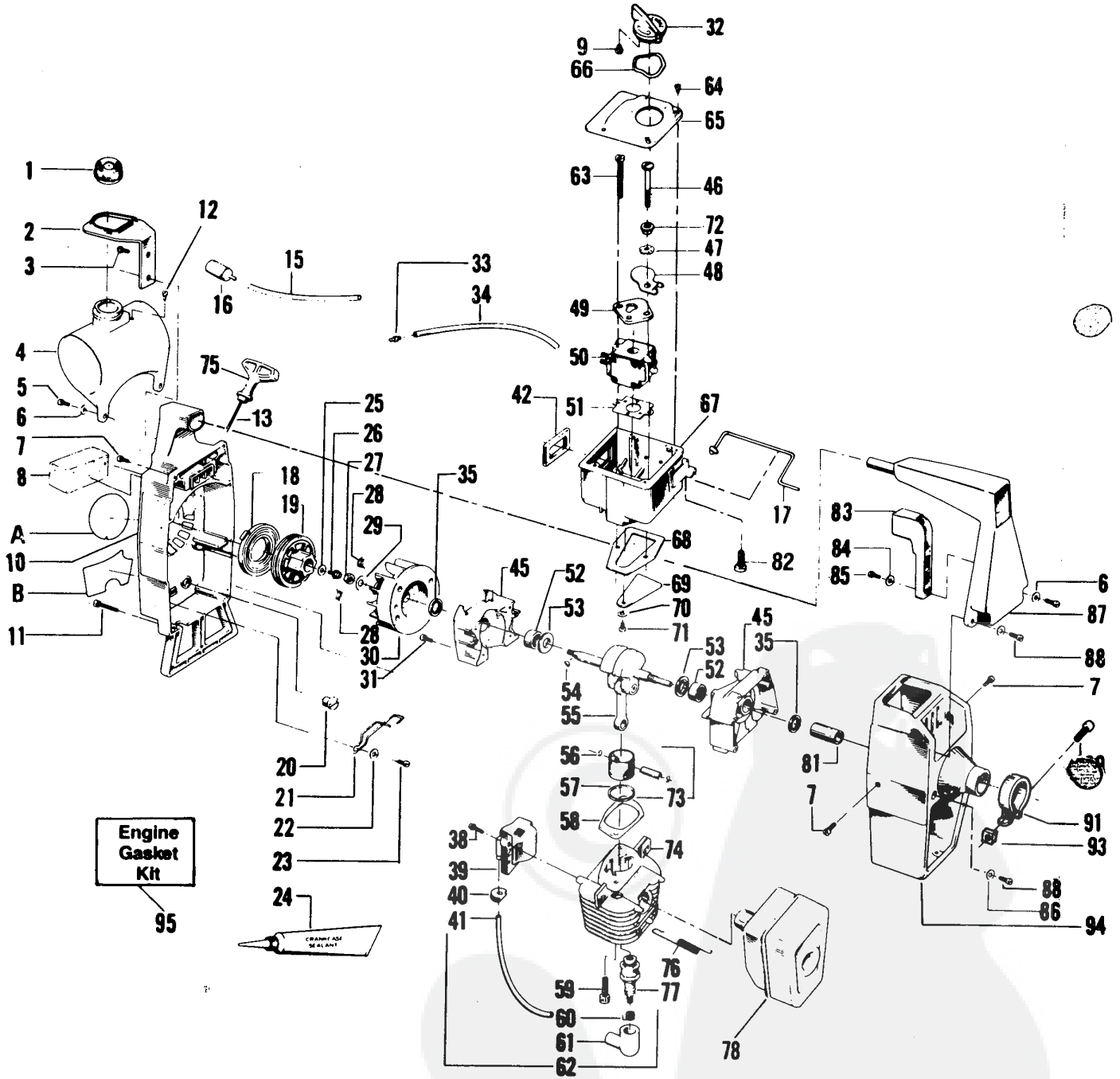
✓ = Part Change
◇ = New Part No.

PARTS LIST NO. 107 23 97-98 -1/15/88	
PAGE 2 of 4	REPLACES NONE

PARTNER® PARTS LIST

LINE TRIMMER
MODEL: T-225

NOTE: Illustrations may differ from actual models due to design changes.



PARTS LIST NO. 107 23 97-98 - 1/15/88		PARTNER® PARTS LIST	LINE TRIMMER MODEL: T-225
PAGE 3 of 4	REPLACES NONE		

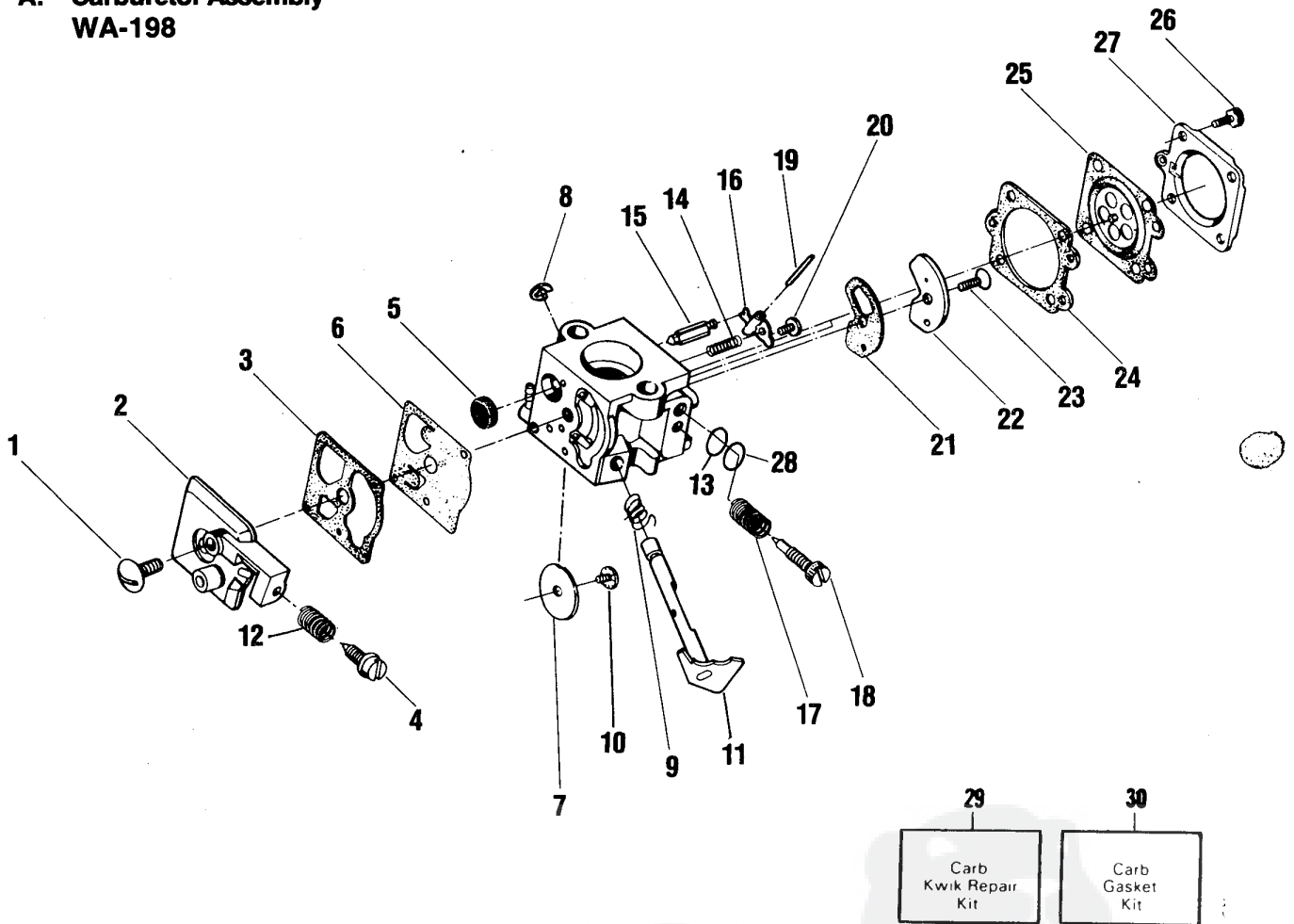
NOTE: Illustrations may differ from actual models due to design changes.

KEY NO.	PART NO.	DESCRIPTION	KEY NO.	PART NO.	DESCRIPTION
1	530 01 07-29	Fuel Cap Assembly (Incl. "O" Ring)	49	530 02 67-97	Guide Plate, Choke Wire
2	530 02 53-77	Bracket - Fuel Tank	50	530 03 52-57	Carburetor WA-198
3	530 09 22-43	Bracket/Handle Screw (#1/4-10x1-1/8")	51	* 530 01 91-15	Carburetor Gasket
4	530 01 08-87	Fuel Tank Assembly (Incl. #1, 12, 15 & 16)	52	530 03 20-29	Crankshaft Bearing
5	530 01 55-09	Fuel Tank/Fan Housing Screw (#10x1")	53	530 01 53-51	Crankshaft Thrust Washer
6	530 01 51-23	Washer	54	530 01 51-26	Flywheel Key
7	530 01 55-90	Screw (#10-24x5/8" Bind Hd.)	55	530 02 64-18	Crankshaft & Rod Assembly
8	530 02 43-71	Air Filter	56	530 01 51-62	Wrist Pin Retainer
9	530 01 57-40	Screw	57	530 02 64-13	Piston Ring
10	530 01 08-91	Fan Housing Ass'y	58	* 530 01 91-11	Cylinder Gasket
11	530 01 55-94	Fan Housing Screw - Bottom (#10-24x1-1/8" Bind Hd.)	59	530 01 52-39	Cylinder Screw (#1/4-20x3/4" Socket Head)
12	530 02 61-19	Duck Bill Check Valve	60	530 00 39-33	Spark Plug Connector
13	530 06 92-32	Rope Kit	61	530 00 39-34	Spark Plug Boot
15	530 06 92-47	Line Kit (Bulk 8148)	62	530 03 91-03	High Tension Lead Ass'y. Incl. #41, 60, 61)
16	530 01 08-97	Fuel Pick-Up Ass'y	63	530 01 56-74	Carburetor Screw
17	530 02 71-90	Throttle Wire	64	530 01 52-35	Carburetor Cover Screw (#8-18x9/16")
18	530 04 20-67	Recoil Spring Starter	65	530 02 71-00	Carburetor Case Cover
19	530 02 60-48	Starter - Pulley	66	530 01 57-41	Wave Washer
20	530 02 66-79	Kill Switch Button	67	530 02 71-89	Carburetor Case Assembly
21	530 02 65-59	Kill Switch Spring	68	* 530 01 91-08	Carburetor Case/Crankcase Gasket
22	530 01 53-82	Kill Switch Washer	69	530 02 44-38	Reed Valve
23	530 01 54-07	Kill Switch Screw (#8x3/8")	70	530 02 33-67	Reed Valve Washer
24	530 03 00-54	Crankcase Sealant - 3 oz. tube (Optional)	71	530 01 52-41	Reed Valve Screw (#6-19x5/16")
25	530 01 51-23	Starter Pulley Washer	72	530 01 56-73	Spacer
26	530 01 54-79	Starter Pulley Screw (#10-24x1/2" Hex Head)	73	530 01 07-53	Piston Kit (Incl. #56, 57 & Pin)
27	530 62 66-05	Flywheel Nut	74	530 01 21-68	Cylinder
28	530 04 20-59	Starter Dog Spring	75	530 02 67-35	Starter Handle
29	530 01 51-27	Flywheel Washer	76	530 02 49-03	Muffler Attachment Spring
30	530 03 91-14	Flywheel Ass'y. (Incl. #28)	77	530 03 00-58	Spark Plug (RCJ-8)
31	530 01 53-69	Crankcase Screw	78	530 06 92-43	Muffler Ass'y.
32	530 02 71-01	Choke Knob	81	530 09 39-25	Drive Adaptor
33	530 02 69-81	Fuel Line Fitting	82	530 01 57-23	Screw
34	530 02 10-73	Carburetor Fuel Line	83	530 02 53-42	Throttle Trigger
35	* 530 01 90-59	Crankshaft Seal	84	530 01 53-82	Throttle Washer
38	530 01 51-28	Ignition Module Screw (#8-32x3/4" Sems)	85	530 01 54-07	Throttle Screw (#8-16x3/8")
39	530 06 91-81	Ignition Module Kit (Incl. #21, 40 & 62)	87	530 02 74-01	Handle
40	530 02 44-35	Plug Wire Grommet	88	530 01 51-63	Shroud Screw (#10-24x7/8")
41	530 03 90-82	High Tension Lead Wire	89	530 01 56-09	Clamp Screw #1/4-20x9/16")
42	* 530 01 91-05	Carburetor Case Seal	91	530 02 65-60	Shroud Clamp
45	530 01 07-57	Crankcase Ass'y. (Incl. #35, 52 and Qty 1 of #31)	93	530 01 56-10	Nut #12-24" - Square
46	530 01 56-30	Carburetor Screw	94	530 02 65-49	Shroud
47	530 01 52-54	Wave Washer	95	530 06 92-19	Engine Gasket Kit (*Indicates Contents)
48	530 02 67-72	Choke Shutter			
			Decals		
			A	530 02 76-74	Decal - Starting Instructions
			B	530 02 76-61	Decal - Choke/OFF
			Not Shown		
			—	530 02 76-59	Decal - Shroud (Right)
			—	530 02 76-60	Decal - Shroud (Left)

✓ = Part Change
◁ = New Part No.

PARTS LIST NO. 107-23 97-98-1/15/88		PARTNER® PARTS LIST	LINE TRIMMER MODEL: T-225
PAGE 4 of 4	REPLACES NONE		
NOTE: Illustrations may differ from actual models due to design changes.			

**A. Carburetor Assembly
WA-198**



KEY NO.	PART NO.	DESCRIPTION	KEY NO.	PART NO.	DESCRIPTION
1	501 46 99-01	+ Screw - Pump Cover	19	505 52 01-25	+ Pin - Metering Lever
2	530 03 51-93	Pump Cover Ass'y (Incl. #4)	20	505 31 67-17	Screw - Metering Lever Pin
3	504 13 09-06	*+ Gasket - Pump	21	530 03 52-11	*+ Gasket - Circuit Plate
4	530 03 52-03	Screw - Idle Adjustment	22	530 03 52-61	Plate - Circuit
5	530 03 51-78	+ Screen - Inlet	23	505 31 67-58	+ Screw - Circuit Plate
6	504 13 08-01	*+ Diaphragm - Pump	24	530 03 51-51	*+ Gasket - Metering Diaphragm
7	530 03 52-54	Valve - Throttle	25	504 13 08-08	*+ Diaphragm Assembly - Metering
8	505 31 67-36	Clip - Throttle Shaft	26	503 10 87-01	Screw Ass'y. - Metering Cover & Throttle Shaft Clip
9	530 03 51-38	Spring - Throttle Return	27	530 03 50-03	Cover - Metering Diaphragm
10	530 03 50-15	+ Screw - Throttle Valve	28	530 03 52-17	Mixture Washer
11	530 03 51-32	Shaft Assembly - Throttle	29	530 03 52-20	Kit - Carb. Kwik Repair (+ Indicates contents)
12	530 03 52-08	Spring - Idle Speed	30	530 03 57-19	Kit - Carb. Gasket/Diaphragm (+ Indicates contents in Carb. Gasket/Diaphragm Kit)
13	530 03 52-18	"O" Ring Mixture			
14	530 03 51-39	+ Spring - Metering Lever			
15	503 11 70-01	+ Valve - Inlet Needle			
16	505 52 01-27	Lever - Metering			
17	530 03 52-14	Spring - Mixture Needle			
18	530 03 52-12	Needle Mixture			

+ Indicates contents in Carb Kwik Repair Kit
 * Indicates contents in Carb Gasket/Diaphragm Kit
 ✓ = Part Change
 ◇ = New Part No.