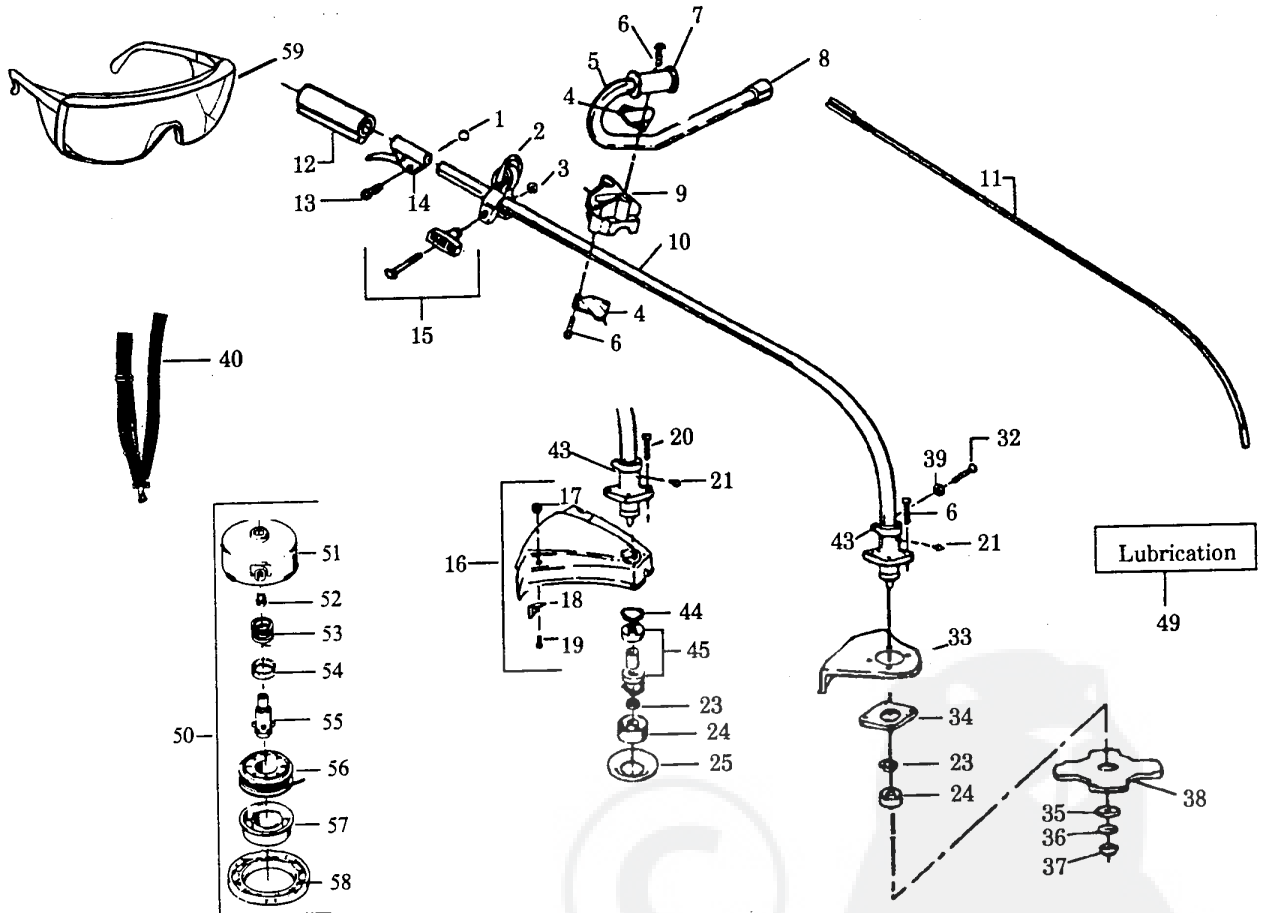


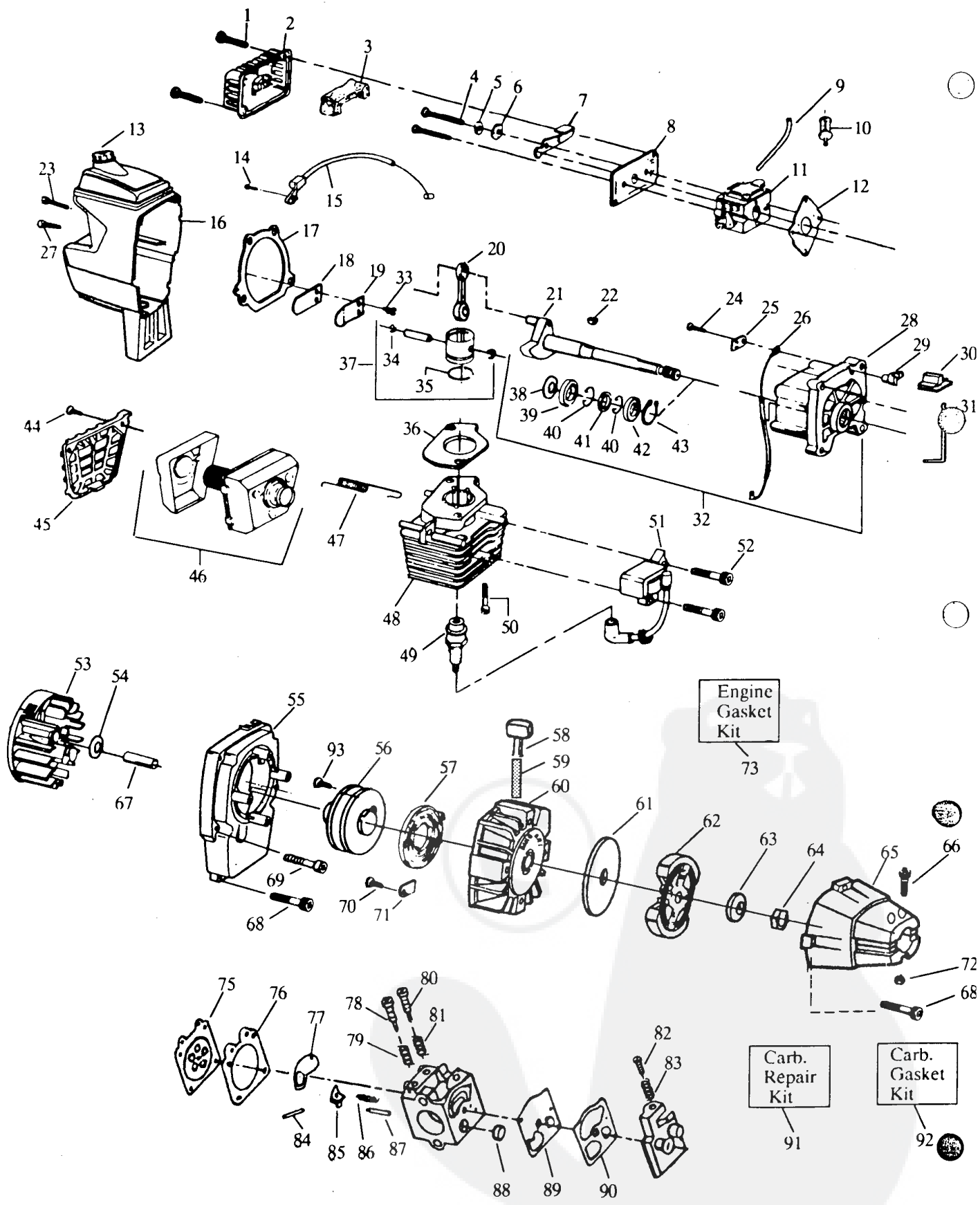
Prod. nr. Eur 952 71 52-53

**SPAREPARTS**  
107 26 06-62



No.	Part no.	Description	No.	Part no.	Description
1	530 01 57-68	Nut	32	530 09 38-02	Screw
2	530 09 46-86	Clamp, Harness Ass'y.	33	530 01 48-90	Shield w/Decal
3	530 01 51-97	Nut	34	530 02 76-15	Shield Retention Plate
4	530 09 45-72	Handlebar Bracket	35	530 01 57-92	Washer
5	530 01 07-23	Handlebar	36	530 01 54-92	Washer
6	530 01 57-91	Screw	37	530 09 37-48	Nut
7	530 09 20-86	Handlebar Grip	38	952 71 52-60	Weed Blade
8	530 09 21-92	Handlebar Cap	39	530 09 22-27	Washer
9	530 01 22-07	Handlebar Clamp	40	952 71 55-17	Shoulder Strap
10	530 01 46-73	Drive Shaft Housing	43	530 09 45-81	Bearing Housing Ass'y. (Incl. 23 & 24)
11	530 09 45-55	Drive Shaft	44	530 09 17-83	Retaining Ring
12	530 02 75-95	Drive Shaft Grip	45	530 06 90-86	Bearing & Spacer Kit
13	530 01 57-74	Screw	49	530 03 01-02	Shaft Lubrication
14	530 01 09-59	Throttle Lever	50	952 70 35-25	Cutting Head Ass'y. (Incl. 51-58)
15	530 06 92-52	"T" Handle Kit	51	530 09 38-96	Hub Ass'y.
16	530 06 92-56	Shield Kit Ass'y. (Incl. 17-19)	52	530 09 38-98	Line Saver
17	530 01 56-53	Locknut	53	530 09 20-67	Spring
18	530 09 45-70	Line Limiter	54	530 09 20-68	Spring Adaptor
19	530 01 50-37	Screw	55	530 09 38-97	Drive Gear
20	530 09 22-43	Screw	56	952 70 35-26	Spool w/Line
21	530 01 55-18	Screw	57	530 09 33-87	Release Button
23	530 09 22-16	Washer	58	530 09 21-33	Cover
24	530 09 23-59	Dust Cup	59	952 71 55-56	Safety glasses
25	530 09 45-71	Grass Washer			

N = NEW PART



No.	Part no.	Description	No.	Part no.	Description
1	530 01 57-73	Screw	48	530 01 22-35	Cylinder
2	530 02 75-29	Air Filter Cover	49	530 03 00-77	Spark Plug
3	530 02 75-30	Air Filter	50	530 01 52-39	Screw
4	530 01 58-49	Screw	51	530 03 91-34	Ignition Module Kit
5	530 02 75-28	Spacer	52	530 01 51-28	Screw
6	530 01 52-54	Wave Washer	53	530 03 91-36	Flywheel Ass'y.
7	530 02 75-26	Choke Shutter	54	530 01 60-30	Washer
8	530 02 75-27	Air Filter Plate	55	530 02 93-89	Fan Housing
9	530 06 92-47	Fuel Line Kit	56	530 06 92-91	Starter Pulley
10	530 01 43-62	Fuel Pick-up Ass'y.	57	530 02 93-95	Starter Spring
11	530 03 52-59	Carburetor	58	530 02 75-69	Starter Handle
12	530 01 91-56	+ Carburetor Gasket	59	530 06 92-32	Rope Kit
13	530 01 43-47	Fuel Cap Ass'y.	60	530 01 41-80	Pulley Housing Ass'y.
14	530 01 57-75	Screw	61	530 09 41-89	Clutch Washer
15	530 02 75-49	Throttle Cable Ass'y.	62	530 06 92-54	Clutch Ass'y. Kit
16	530 02 95-51	Shroud & Tank Ass'y.	63	530 01 57-96	Washer
17	530 01 91-54	+ Gasket	64	530 00 17-33	Nut
18	530 02 75-93	Reed	65	530 01 42-11	Clutch Housing
19	530 02 75-94	Reed Stop	66	530 01 57-67	Screw
20	530 01 09-60	Connecting Rod Ass'y. (Incl. Bearings)	67	530 02 75-11	Spacer
21	530 01 09-34	Crankshaft Ass'y.	68	530 01 57-70	Screw
22	530 01 51-26	Flywheel Key	69	530 01 57-69	Screw
23	530 01 58-10	Screw	70	530 01 54-96	Screw
24	530 01 57-80	Screw	71	530 02 75-23	Pulley Retainer
25	530 02 75-46	Switch Insulator	72	530 01 57-68	Locknut
26	530 02 75-47	Lead Wire	73	530 06 92-76	Engine Gasket Kit († Indicates Contents)
27	530 01 57-71	Screw	75	504 13 08-08	* + Metering Diaphragm
28	530 01 40-16	Crankcase Ass'y. (Incl. 39-42)	76	530 03 51-51	* + Metering Diaphragm Gasket
29	530 02 75-45	Switch Ramp	77	501 78 13-01	* + Circuit Plate Gasket
30	530 02 79-58	Switch Button	78	501 78 22-01	Hi Speed Needle
31	530 02 79-59	Switch Spring	79	505 31 67-21	Hi Speed Needle Spring
32	530 01 40-15	Crankcase & Crankshaft Ass'y. (Incl. 21, 28, 38 & 43)	80	530 03 51-41	Idle Needle
33	530 01 52-41	Screw	81	501 46 73-01	Idle Needle Spring
34	530 01 51-62	Piston Pin Retainer	82	530 03 52-03	Idle Speed Screw
35	530 02 58-75	Piston Ring	83	501 66 78-01	Idle Speed Spring
36	530 01 91-78	+ Cylinder Gasket	84	505 52 01-25	+ Metering Pin
37	530 06 92-75	+ Piston Kit (Incl. 34, 35 & pin)	85	505 52 01-27	+ Metering Lever
38	530 01 57-88	Spacer	86	530 03 51-88	+ Metering Lever Spring
39	530 03 21-03	Inner Bearing	87	503 11 70-01	+ Inlet Needle Valve
40	530 01 57-87	Retaining Ring	88	530 03 51-78	+ Inlet Screen
41	530 01 91-58	Crankshaft Seal	89	504 13 08-07	* + Pump Diaphragm
42	530 03 21-02	Outer Bearing	90	504 13 09-06	* + Pump Gasket
43	530 01 57-89	Crankshaft Retaining Ring	91	505 52 01-30	Carb. Kwik Repair Kit (+ Indicates Contents)
44	530 01 57-17	Screw	92	530 03 51-85	Carb. Gasket/Diaphragm Kit (* Indicates Contents)
45	530 02 77-81	Muffler Guard	93	530 01 58-23	Screw
46	530 06 92-57	Muffler Kit			
47	530 03 64-09	Muffler Spring			

N = NEW PART

