

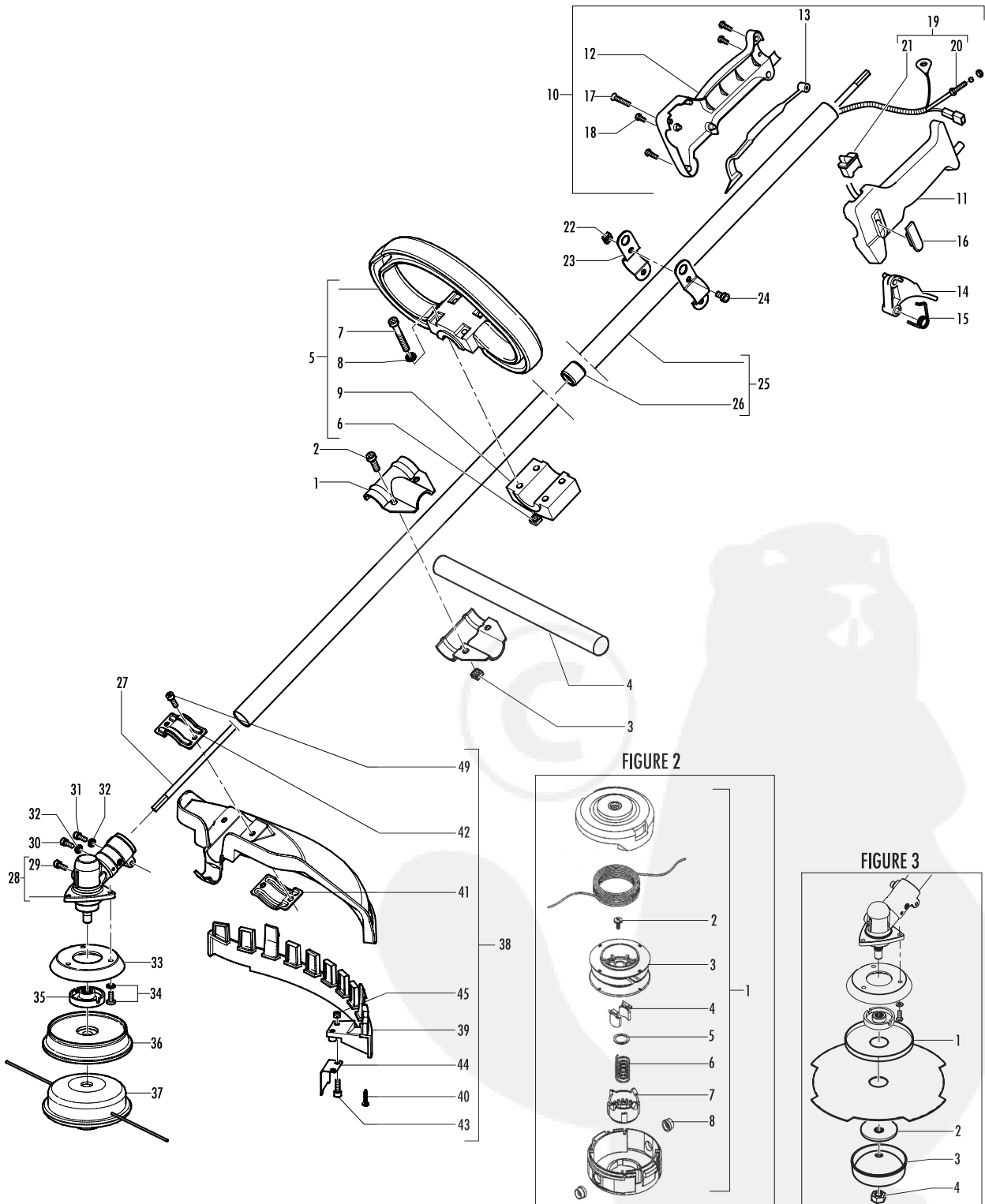
|       |                |
|-------|----------------|
| brand | <b>PARTNER</b> |
|-------|----------------|

|      |        |           |
|------|--------|-----------|
| date | FEB/04 | SHEET 1/4 |
|------|--------|-----------|

|               |        |
|---------------|--------|
| Model         | Prefix |
| <b>B 300L</b> | 01     |
|               |        |
|               |        |

|                  |
|------------------|
| Product number   |
| <b>953900511</b> |
|                  |
|                  |

**FIGURE 1**



|       |                |
|-------|----------------|
| brand | <b>PARTNER</b> |
|-------|----------------|

|      |        |           |
|------|--------|-----------|
| date | FEB/04 | SHEET 2/4 |
|------|--------|-----------|

|               |        |
|---------------|--------|
| Model         | Prefix |
| <b>B 300L</b> | 01     |
|               |        |
|               |        |

|                  |
|------------------|
| Product number   |
| <b>953900511</b> |
|                  |
|                  |

**FIGURE 1**

| pos  | P/N McC         | P/N ELX   | Qty | DESCRIPTION         |
|------|-----------------|-----------|-----|---------------------|
| 1    | 228146          | 538228146 | 2   | clamp 1/2           |
| 2    | 235911          | 538235911 | 2   | screw               |
| 3    | 236642          | 538236642 | 2   | nut                 |
| 4    | 246864          | 538246864 | 1   | protection          |
| 5    | 227068          | 538227068 | 1   | delta handle ass'y  |
| 6    | ● 236642        | 538236642 | 4   | nut                 |
| 7    | ● 228320        | 538228320 | 4   | screw 6x45          |
| 8    | ● 236936        | 538236936 | 4   | washer              |
| 9    | ● 227046        | 538227046 | 1   | handle clamp        |
| 10   | 242922          | 538242922 | 1   | trigger box ass'y   |
| 11   | ● 229837        | 538229837 | 1   | left handle (1/2)   |
| 12   | ● 229836        | 538229836 | 1   | right handle (1/2)  |
| 13   | ● 229819        | 538229819 | 1   | trigger safety      |
| 14   | ● 241296        | 538241296 | 1   | throttle trigger    |
| 15   | ● 240091        | 538240091 | 1   | trigger spring      |
| 16   | ● 241292        | 538241292 | 1   | handle cap          |
| 17   | ● 240833        | 538240833 | 4   | screw 3x20          |
| 18   | ● 240618        | 538240618 | 2   | screw 3x16          |
| C 19 | ● 242923        | 538242923 | 1   | wires ass'y         |
| C 20 | ●● 242947       | 538242947 | 1   | wire                |
| C 21 | ●● 236394       | 538236394 | 1   | switch              |
| 22   | 236642          | 538236642 | 2   | nut M6              |
| 23   | 228152          | 538228152 | 2   | harness ring        |
| 24   | 235911          | 538235911 | 2   | screw m6x12         |
| C 25 | 242442          | 538242442 | 1   | shaft ass'y         |
| C 26 | ● 228192        | 538228192 | 5   | bushing ass'y       |
| C 27 | 240486          | 538240486 | 1   | drive shaft         |
| 28   | 242728          | 538242728 | 1   | gear box            |
| 29   | ● 240151        | 538240151 | 1   | screw M8x10         |
| 30   | 235802          | 538235802 | 1   | screw 5x14          |
| 31   | 235803          | 538235803 | 1   | screw 5x25          |
| 32   | 236529          | 538236529 | 2   | split washer        |
| 33   | 242729          | 538242729 | 1   | flange adapter      |
| 34   | 240688          | 538240688 | 3   | screw M5 and washer |
| A 35 | 242815          | 538242815 | 1   | flange              |
| B 36 | 242823          | 538242823 | 1   | spacer              |
| A 37 | <b>FIGURE 2</b> |           | 1   | string head         |
| B 38 | 249155          | 538249155 | 1   | guard ass'y         |
| B 39 | ● 242644        | 538242644 | 1   | guard extension     |

| pos | P/N McC  | P/N ELX   | Qty | DESCRIPTION |
|-----|----------|-----------|-----|-------------|
| 40  | ● 240862 | 538240862 | 1   | screw M4x18 |
| 41  | ● 242752 | 538242752 | 1   | lower clamp |
| 42  | ● 242629 | 538242629 | 1   | upper clamp |
| 43  | ● 227563 | 538227563 | 4   | screw M5x16 |
| 44  | ● 241973 | 538241973 | 1   | line cutter |
| 45  | ● 229208 | 538229208 | 2   | nut         |

**FIGURE 2**

|     |           |           |   |               |
|-----|-----------|-----------|---|---------------|
| A 1 | 538249346 | 538249346 | 1 | string head   |
| 2   | ● 249374  | 538249374 | 1 | set screw     |
| C 3 | ● 249375  | 538249375 | 1 | reel          |
| C 4 | ● 249376  | 538498754 | 2 | ratchet       |
| C 5 | ● 249377  | 538249377 | 1 | washer        |
| C 6 | ● 249378  | 538249378 | 1 | return spring |
| C 7 | ● 249379  | 538249379 | 1 | button        |
| C 8 | ● 249380  | 538249380 | 2 | eyelet        |

**FIGURE 3**

|     |        |           |   |             |
|-----|--------|-----------|---|-------------|
| B 1 | 241155 | 538241155 | 1 | flange      |
| A 2 | 241006 | 538241006 | 1 | plate blade |
| A 3 | 236596 | 538236596 | 1 | cup         |
| A 4 | 240481 | 538240481 | 1 | nut         |

|                   |                 |                   |                    |
|-------------------|-----------------|-------------------|--------------------|
| A= ALTA ROTAZIONE | A=HIGH MOVING   | A=HAUTE DEMANDE   | A=GROBE NACHFRAGE  |
| B=MEDIA ROTAZIONE | B=MEDIUM MOVING | B=MOYENNE DEMANDE | B=MITTELMAEßIGE    |
| C=BASSA ROTAZIONE | C=SLOW MOVING   | C=BASSE DEMANDE   | C=WENIGE NACHFRAGE |
| NUOVI CODICI      | NEW CODE        | NOUVEAU CODE      | NEU KODEX          |

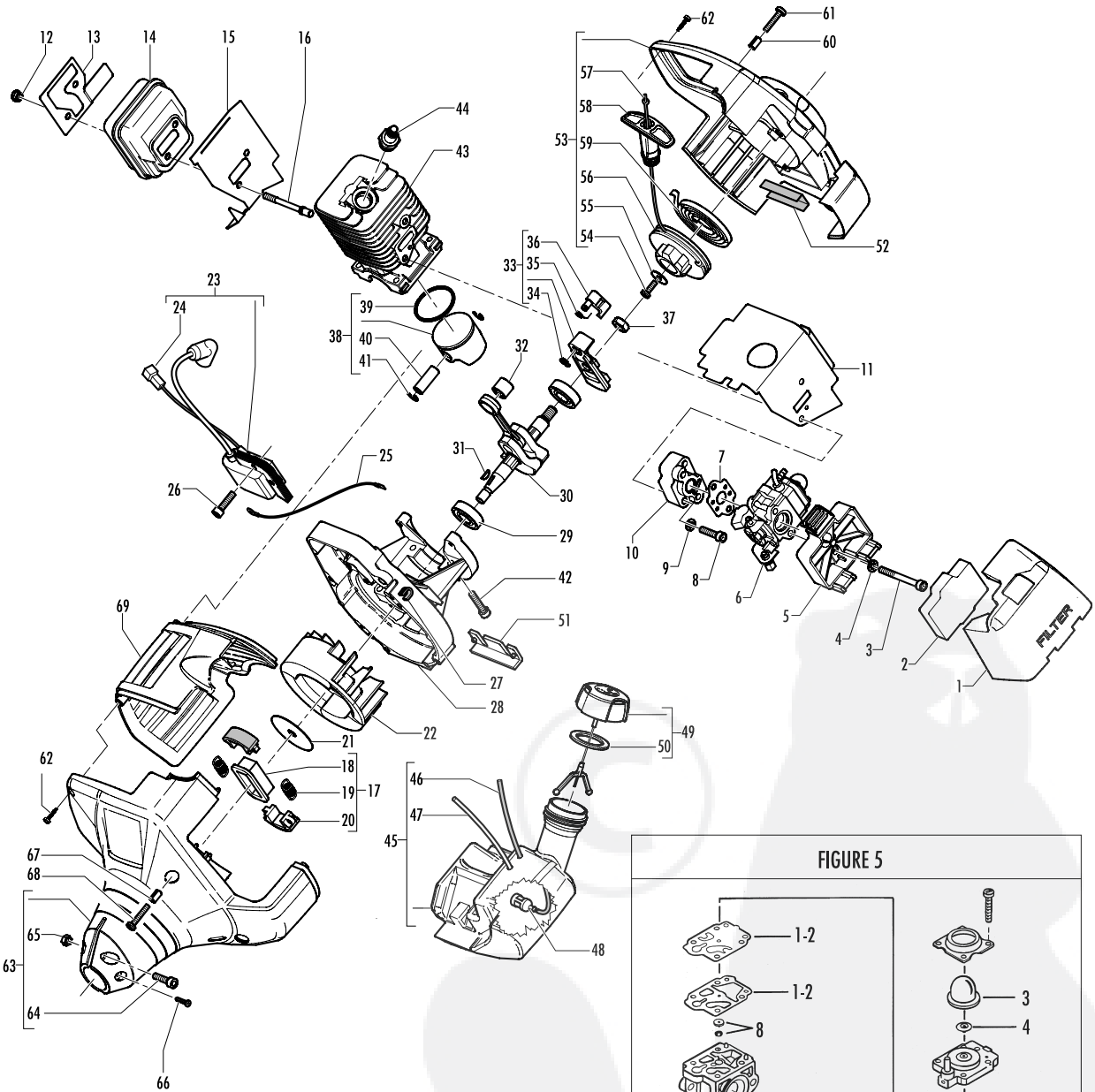
|       |                |
|-------|----------------|
| brand | <b>PARTNER</b> |
|-------|----------------|

|      |        |           |
|------|--------|-----------|
| date | FEB/04 | SHEET 3/4 |
|------|--------|-----------|

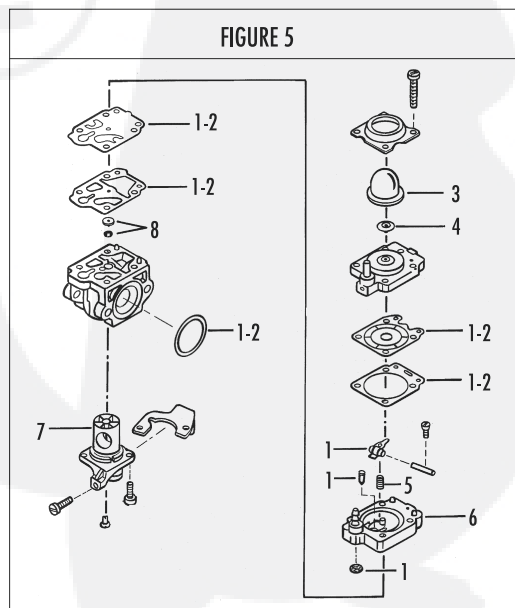
|               |        |
|---------------|--------|
| Model         | Prefix |
| <b>B 300L</b> | 01     |
|               |        |
|               |        |

|                  |
|------------------|
| Product number   |
| <b>953900511</b> |
|                  |
|                  |

**FIGURE 4**



**FIGURE 5**



|       |                |
|-------|----------------|
| brand | <b>PARTNER</b> |
|-------|----------------|

|      |        |           |
|------|--------|-----------|
| date | FEB/04 | SHEET 4/4 |
|------|--------|-----------|

|               |        |
|---------------|--------|
| Model         | Prefix |
| <b>B 300L</b> | 01     |
|               |        |
|               |        |

|                  |
|------------------|
| Product number   |
| <b>953900511</b> |
|                  |
|                  |

**FIGURE 4**

| pos  | P/N McC  | P/N ELX   | Qty | DESCRIPTION           |
|------|----------|-----------|-----|-----------------------|
| C 1  | 242848   | 538242848 | 1   | filter cover          |
| A 2  | 242888   | 538242888 | 1   | air filter            |
| 3    | 235808   | 538235808 | 2   | screw M5x50           |
| 4    | 235248   | 538235248 | 2   | washer M5             |
| C 5  | 242847   | 538242847 | 1   | filter housing        |
| C 6  | FIGURE 5 |           |     | carburettor           |
| A 7  | 242851   | 538242851 | 1   | spacer gasket         |
| 8    | 242173   | 538242173 | 2   | screw M5x30           |
| 9    | 235248   | 538235248 | 2   | washer M5             |
| C 10 | 242849   | 538242849 | 1   | spacer                |
| B 11 | 242860   | 538242860 | 1   | cylinder gasket       |
| 12   | 235642   | 538235642 | 2   | nut M5                |
| 13   | 242962   | 538242962 | 1   | muffler shield        |
| C 14 | 242131   | 538242131 | 1   | muffler               |
| B 15 | 242859   | 538242859 | 1   | muffler gasket        |
| 16   | 242037   | 538242037 | 2   | muffler stud bolt     |
| B 17 | 241793   | 538241793 | 1   | clutch ass'y          |
| 18   | • 241789 | 538241789 | 1   | clutch hub            |
| A 19 | • 241794 | 538241794 | 2   | spring                |
| 20   | • 241743 | 538241743 | 2   | clutch shoe           |
| 21   | 241604   | 538241604 | 1   | clutch dust shield    |
| 22   | 241796   | 538241796 | 1   | flywheel              |
| C 23 | 249387   | 538249387 | 1   | ignition coil ass'y   |
| 24   | • 242959 | 538242959 | 1   | switch wire           |
| 25   | 242891   | 538242891 | 1   | ground wire           |
| 26   | 235806   | 538235806 | 2   | screw M5x20           |
| 27   | 242895   | 538242895 | 1   | wires protection      |
| 28   | 242029   | 538242029 | 1   | Engine crankcase      |
| C 29 | 242030   | 538242030 | 2   | grommet/bearing ass'y |
| 30   | 242003   | 538242003 | 1   | crank shaft ass'y     |
| C 31 | 227631   | 538227631 | 1   | key                   |
| C 32 | 235742   | 538235742 | 1   | needle bearing        |
| C 33 | 241784   | 538241784 | 1   | starter pawl ass'y    |
| 34   | • 111088 | 538111088 | 1   | snap ring             |
| 35   | • 241782 | 538241782 | 1   | spring                |
| 36   | • 241781 | 538241781 | 1   | pawl                  |
| 37   | 241624   | 538241624 | 1   | nut M8                |
| C 38 | 249179   | 538249179 | 1   | piston kit            |
| B 39 | • 242602 | 538242602 | 1   | piston ring           |

| pos  | P/N McC  | P/N ELX   | Qty | DESCRIPTION      |
|------|----------|-----------|-----|------------------|
| 40   | • 241735 | 538241735 | 1   | piston pin       |
| 41   | • 235008 | 538235008 | 2   | snap ring        |
| 42   | 235803   | 538235803 | 4   | screw M5x25      |
| C 43 | 242543   | 538242543 | 1   | cylinder         |
| A 44 | 322208   | 538322208 | 1   | RDJ6J Spark plug |
| C 45 | 242889   | 538242889 | 1   | fuel tank ass'y  |
| B 46 | • 229789 | 538229789 | 1   | hose             |
| B 47 | • 242527 | 538242527 | 1   | primer bulb hose |
| A 48 | 93720    | 538093720 | 1   | fuel pickup      |
| B 49 | 242484   | 538242484 | 1   | fuel cap ass'y   |
| B 50 | • 236564 | 538236564 | 1   | cap seal         |
| 51   | 242038   | 538242038 | 1   | tank grommet     |
| 52   | 242039   | 538242039 | 1   | tank grommet     |
| C 53 | 242886   | 538242886 | 1   | starter ass'y    |
| 54   | • 241077 | 538241077 | 1   | screw 4x14       |
| 55   | • 241703 | 538241703 | 1   | washer           |
| B 56 | • 241620 | 538241620 | 1   | starter pulley   |
| A 57 | • 241746 | 538241746 | 1   | starter rope     |
| 58   | • 242852 | 538242852 | 1   | starter handle   |
| B 59 | • 241619 | 538241619 | 1   | starter spring   |
| 60   | 228260   | 538228260 | 3   | bushing          |
| 61   | 241963   | 538241963 | 3   | screw M4x22      |
| 62   | 240862   | 538240862 | 3   | screw 4x18       |
| C 63 | 242887   | 538242887 | 1   | joint ass'y      |
| 64   | • 235806 | 538235806 | 1   | screw 5x20       |
| 65   | • 235216 | 538235216 | 1   | nut              |
| 66   | 229632   | 538229632 | 1   | screw 3.5x13     |
| 67   | 241617   | 538241617 | 4   | bushing          |
| 68   | 241963   | 538241963 | 4   | screw 4x22       |
| 69   | 242845   | 538242845 | 1   | engine cover     |

**FIGURE 5 WALBRO WYJ 358**

| pos | P/N McC   | P/N ELX   | Qty | DESCRIPTION        |
|-----|-----------|-----------|-----|--------------------|
| B   | 242885    | 538242885 | 1   | carburetor WYJ538  |
| A 1 | • 247955  | 538247955 | 1   | repair kit K20 WYJ |
| C 2 | •• 247956 | 538247956 | 1   | repair kit D20 WYJ |
| C 3 | • 225834  | 538225834 | 1   | primer             |
| C 4 | • 247957  | 538247957 | 1   | valve              |
| C 5 | • 247958  | 538247958 | 1   | spring             |
| C 6 | • 249419  | 538249419 | 1   | pumping body       |
| C 7 | • 249418  | 538249418 | 1   | valve              |
| C 8 | • 249417  | 538249417 | 1   | jet                |

A= ALTA ROTAZIONE

A=HIGH MOVING

A=HAUTE DEMANDE

A=GROBE NACHFRAGE

B=MEDIA ROTAZIONE

B=MEDIUM MOVING

B=MOYENNE DEMANDE

B=MITTELMÄßIGE

C=BASSA ROTAZIONE

C=SLOW MOVING

C=BASSE DEMANDE

C=WENIGE NACHFRAGE

NUOVI CODICI

NEW CODE

NOUVEAU CODE

NEU KODEX