

# McCULLOCH<sup>®</sup>

## ***PARTNER***

### ILLUSTRATED PARTS LIST

**CABRIO 320 - 321 - 340 - 341**

**EUROMAC D321 - D340**

**PARTNER B340 - B341**

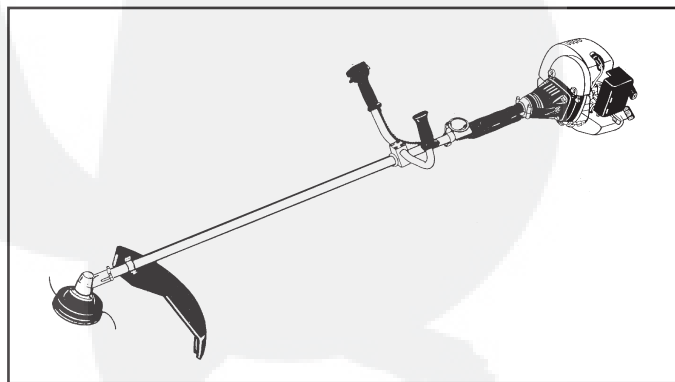
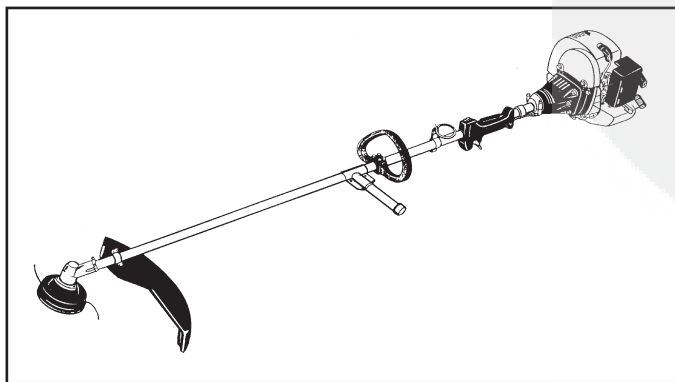
**CABRIO 380 - 390**

**EUROMAC D380 - D390**

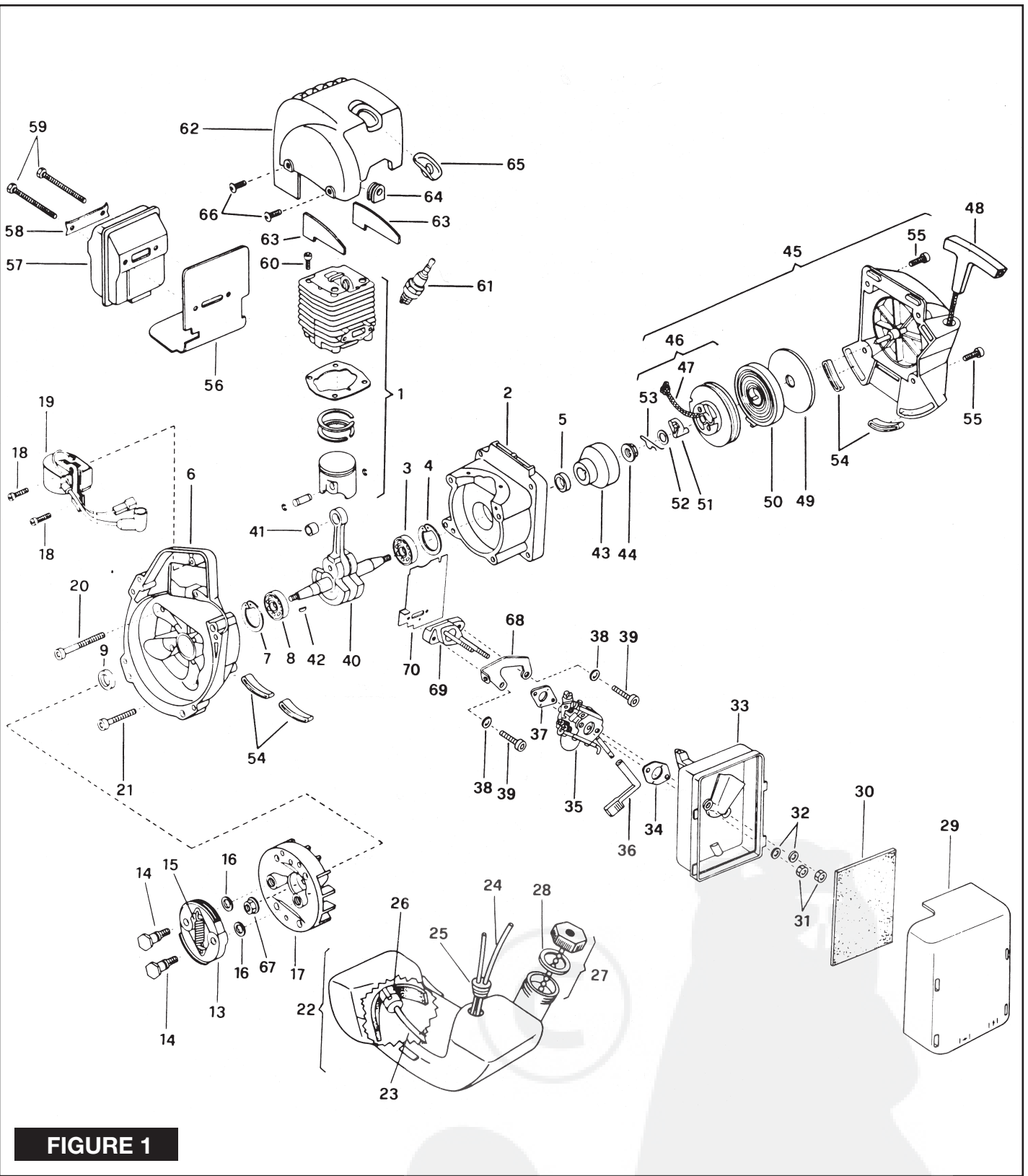
**PARTNER B380**

SERIAL NUMBER PREFIX 01- 02

CE



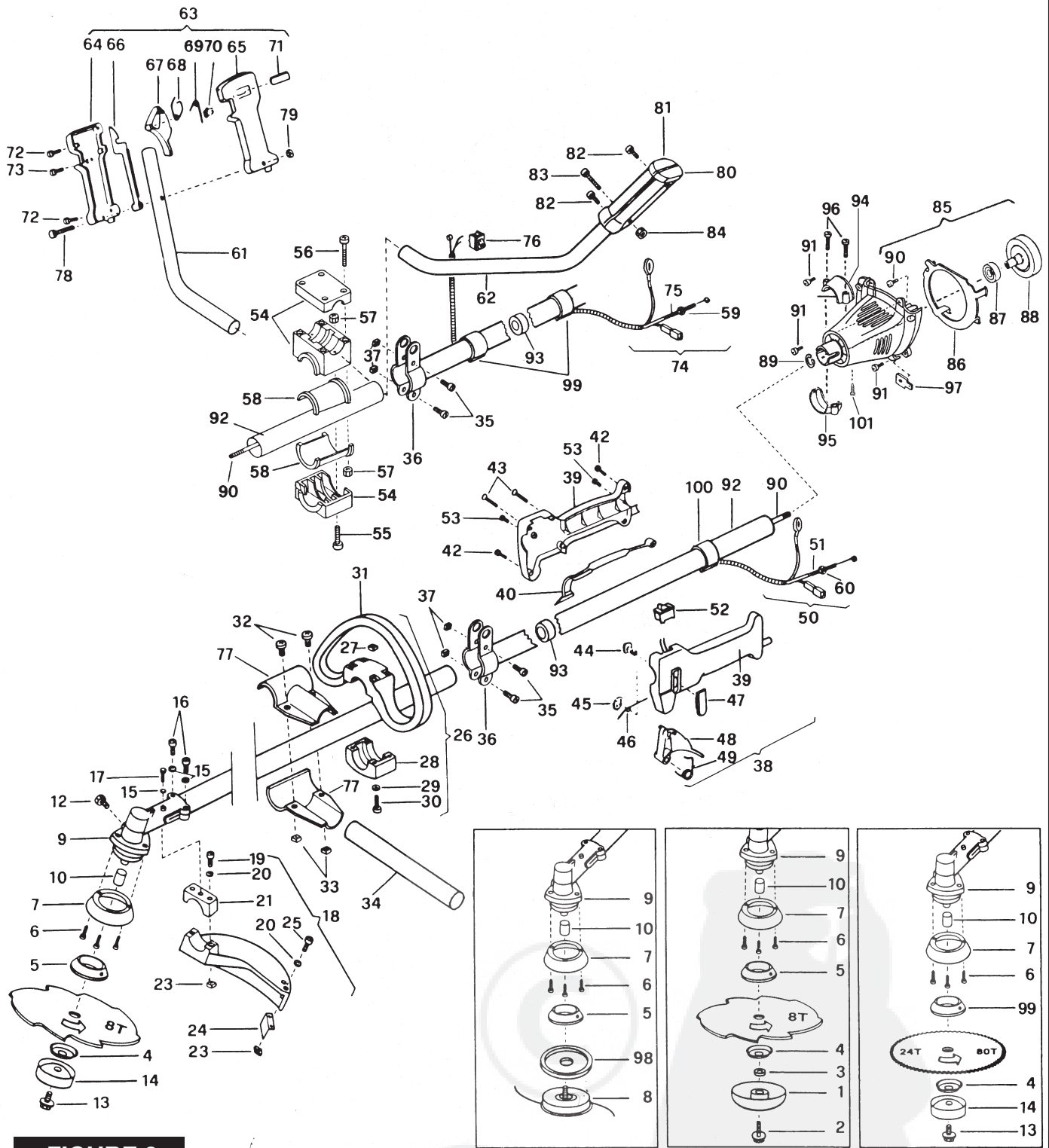
March 2002



**FIGURE 1**

PN McC		PN ELX		PN McC		PN ELX		PN McC		PN ELX		PN McC		PN ELX			
C 1	FIGURE 3			20	235808	538235808	M5x20	2	32	235248	538235248		B 46	• 227194	538227194	1	
2	247936	538247936	1	21	235804	538235804		2	33	237452	538237452	1	A 47	• 227703	538227703	1	
3	• 235900	538235900	1	C 22	241541	538241541	1	1	A 34	227417	538227417	1	48	240884	538240884	1	
4	• 235899	538235899	1	B 23	• 229809	538229809	1	1	C 35	FIGURE 5		1	49	• 227467	538227467	1	
C 5	• 228872	538228872	1	B 24	• 229743	538229743	1	1	36	227255	538227255	1	B 50	• 227300	538227300	1	
6	247935	538247935	1	C 25	• 235675	538235675	1	1	A 37	227692	538227692	1	B 51	• 240492	538240492	1	
7	• 235899	538235899	1	A 26	240452	538240452	1	1	38	235248	538235248	2	52	• 227470	538227470	1	
8	• 235900	538235900	1	B 27	236563	538236563	1	1	39	235803	538235803	M5x25	2	B 53	• 240485	538240485	1
C 9	• 228872	538228872	1	A 28	• 236564	538236564	1	1	40	241266	538241266	1	54	241248	538241248	4	
B 13	247937	538247937	1	29	241521	538241521	YELLOW/GIALLO/ JAUNE/GELB	1	C 41	• 235742	538235742	1	55	236527	538236527	M6x16	4
14	• 241269	538241269	2		241688	538241688	GREY/GRIGIO/ GRIS/GRAU	1	C 42	227631	538227631	1	C 56	241280	538241280	1	
C 15	• 241270	538241270	1		241830	538241830	GOLD/ORO/ ORIGOLD	1	43	241223	538241223	1	C 57	241432	538241432	1	
16	• 236956	538236956	2					1	44	235218	538235218	1	58	• 227236	538227236	1	
17	241240	538241240	1					1	C 45	241283	538241283	1	59	• 227274	538227274	M5x60	2
18	235806	538235806	M5x20	B 30	241523	538241523	1	1					60	227565	538227565	M5x25	4
C 19	241298	538241298	2	31	235642	538235642	1	2		241834	538241834	GOLD/ORO/ ORIGOLD	1	A 61	92879	538092879	1

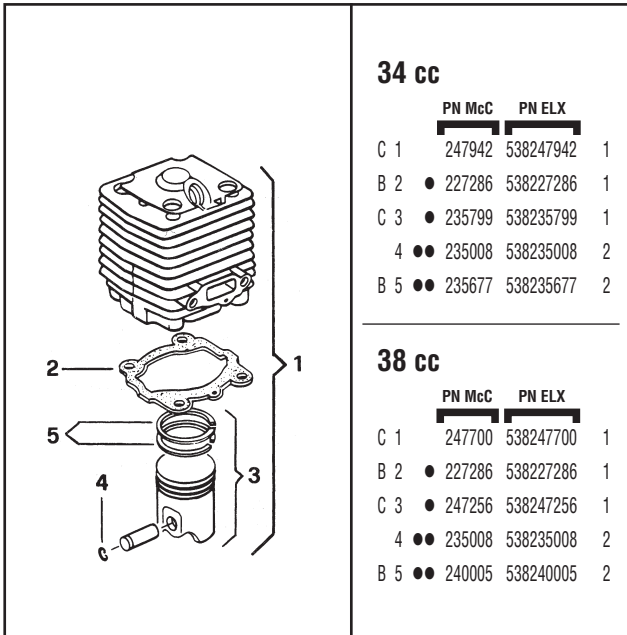
A = high moving - alta rotazione - haute demande - große Nachfrage B = medium moving - media rotazione - moyenne demande - mittelmäßige Nachfrage C = slow moving - bassa rotazione - basse demande - wenige Nachfrage



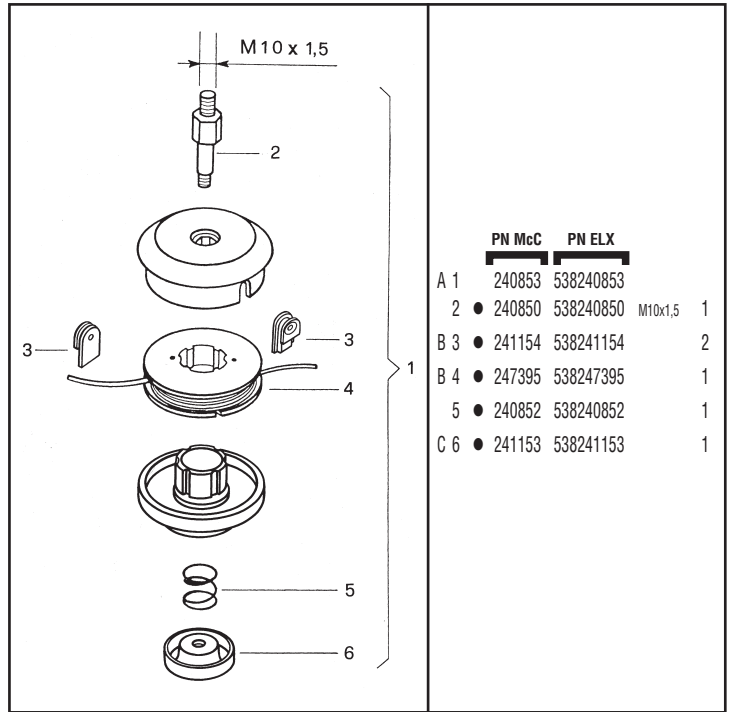
**FIGURE 2**

	PN McC	PN ELX		PN McC	PN ELX		PN McC	PN ELX		PN McC	PN ELX		PN McC	PN ELX					
A 1	240809B	538240809	1	23	236732	538236732	4	44	229823	538229823	1	64	241293	538241293	1	84	235216	538235216	1
A 2	240806	538240806	1	24	241973	538241973	1	45	227065	538227065	1	65	241294	538241294	1	85	242233	538242233	1
A 3	240807	538240807	1	25	235802	538235802	M5x14 2	46	229973	538229973	1	66	229820	538229820	1	86	242398	538242398	1
A 4	229834	538229834	1	26	227068	538227068	1	47	229824	538229824	1	67	241295	538241295	1	87	235918	538235918	1
A 5	229833	538229833	1	27	236642	538236642	4	48	241296	538241296	1	68	240091	538240091	1	88	227284	538227284	1
A 6	240688	538240688	M5x14 3	28	227046	538227046	1	49	240091	538240091	1	69	229973	538229973	1	89	236378	538236378	1
B 7	240767	538240767	1	29	236936	538236936	4	C 50	241526	538241526	1	70	229823	538229823	1	90	228109	538228109	1
A 8	FIGURE 4			30	228320	538228320	M6x45 4	C 51	241527	538241527	1	71	229824	538229824	1	91	235806	538235806	4
9	241426	538241426	1	31	227045	538227045	1	C 52	236394	538236394	1	72	240618	538240618	2	92	241534	538241534	1
10	247272	538247272	1	32	235911	538235911	M6x12 2	53	236981	538236981	2	73	240833	538240833	3	93	241536	538241536	4
12	240151	538240151	M6x10 1	33	236642	538236642	2	54	241685	538241685	1	C 74	241528	538241528	1	94	225472	538225472	1
A 13	229842	538229842	M10x16 1	34	246864	538246864	4	55	235921	538235921	M6x30 2	C 75	241529	538241529	1	95	237779	538237779	1
A 14	236596	538236596	1	35	235911	538235911	M6x12 2	56	236558	538236558	M6x40 4	C 76	236394	538236394	1	96	235804	538235804	2
15	236529	538236529	3	36	228152	538228152	2	57	235912	538235912	6	77	228146	538228146	2	97	228139	538228139	1
16	235804	538235804	M5x30 2	37	236642	538236642	2	58	241684	538241684	2	78	235804	538235804	M5x30 1	98	241155	538241155	1
17	236381	538236381	M5x10 1	38	241538	538241538	1	59	235912	538235912	1	79	235216	538235216	1	99	240936	538240936	1
B 18	247208	538247208	1	39	246955	538246955	1	60	235912	538235912	1	80	229984	538229984	1	100	229850	538229850	2
19	235806	538235806	M5x20 2	40	229819	538229819	1	61	229831	538229831	1	81	229985	538229985	1	101	235802	538235802	1
20	235248	538235248	4	42	240618	538240618	2	62	229832	538229832	1	82	240833	538240833	2				
21	240931	538240931	1	43	240833	538240833	4	63	241542	538241542	1	83	235212	538235212	M5x35 1				

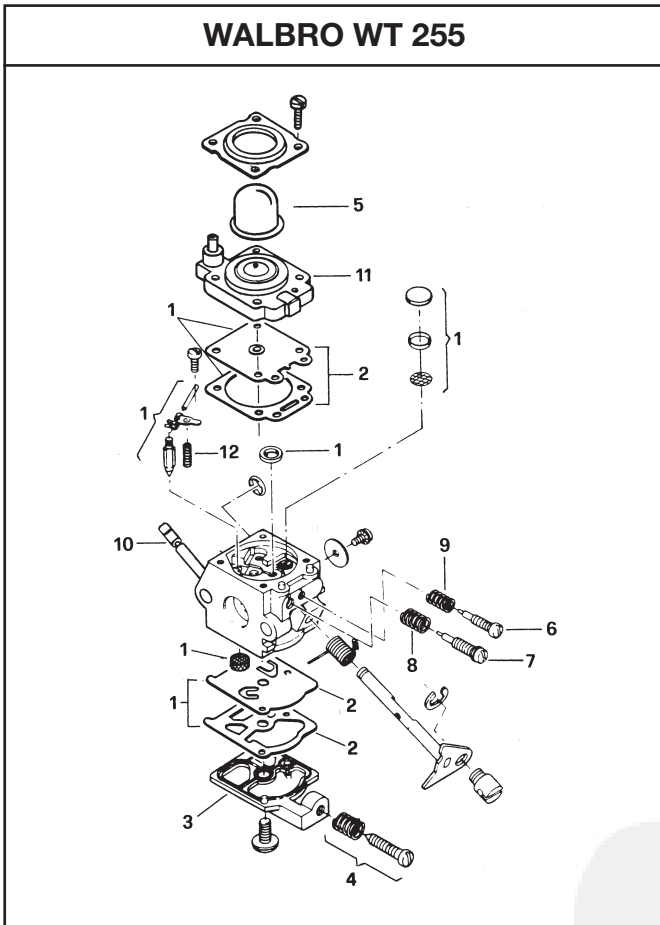
A = high moving - alta rotazione - haute demande - große Nachfrage B = medium moving - media rotazione - moyenne demande - mittelmäßige Nachfrage C = slow moving - bassa rotazione - basse demande - wenige Nachfrage



**FIGURE 3**



**FIGURE 4**



	PN McC	PN ELX	
C -	240048	538240048	1
B 1	● 229198	538229198	1
A 2	●● 229191	538229191	1
3	●● 237480	538237480	1
4	●● 237481	538237481	1
C 5	●● 237481	538237481	1
6	●● 237481	538237481	H 1
7	●● 246541	538246541	L 1
8	●● 229927	538229927	1
9	●● 229601	538229601	1
10	●● 225962	538225962	1
C 11	●● 246949	538246949	1
C 12	●● 246950	538246950	1

**FIGURE 5**

A = high moving - alta rotazione - haute demande - große Nachfrage  
 B = medium moving - media rotazione - moyenne demande - mittelmäßige Nachfrage  
 C = slow moving - bassa rotazione - basse demande - wenige Nachfrage