

ELECTROLUX OUTDOOR PRODUCTS

PNC	Type/Prefix/nd	Model	Brand
953900395	03	B 412X	PARTNER
953900398	03	B 462X	PARTNER
953900389	03	ELITE 4230X	McCulloch
953900391	03	ELITE 4630X	McCulloch

Number of Pages 1 of 5

Factory: IIQ - Valmadrera	Product Group: OP 93
Publication Number: EIPL2004_VP0405008	Petrol Portable
Publication Date: 20/05/04	Sub Group 9433

Service

FIGURE 1

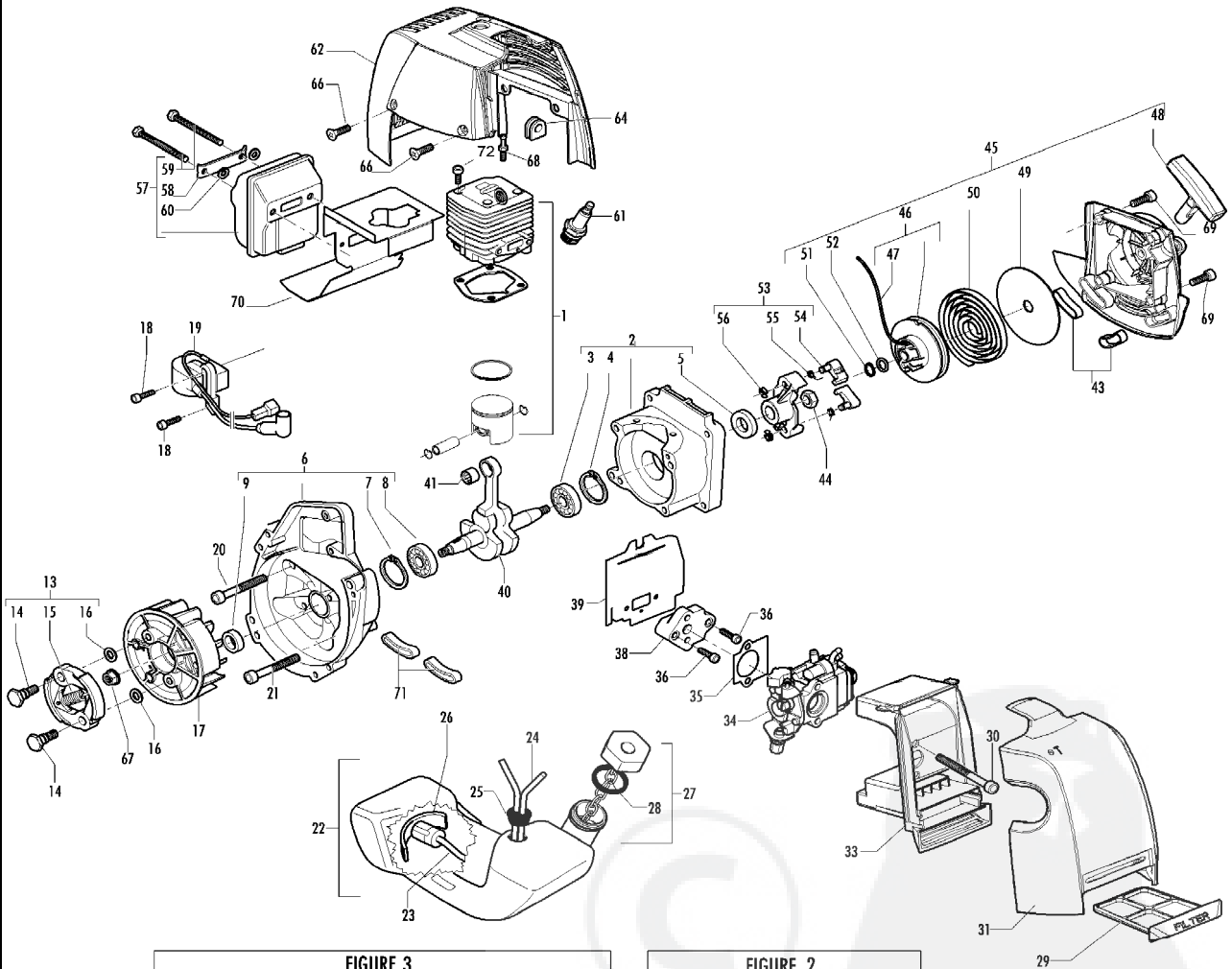


FIGURE 3

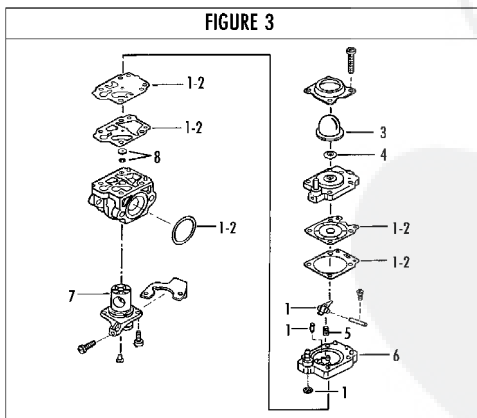
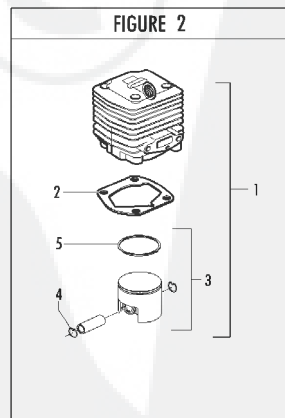


FIGURE 2



Item	P/N McC	P/N ELX	Qty	DESCRIPTION
FIGURE 1				
C	1	FIGURE 2		
	2	247936	1	Carter kit (starter)
	3	• 235900	1	ball bearing 6002 15/32/9
	4	• 235899	1	seeger ring
C	5	• 228872	1	seal 13-32-5 (S7)
	6	247935	1	Carter kit (flyweel)
	7	• 235899	1	seeger ring
	8	• 235900	1	ball bearing 6002 15/32/9
C	9	• 228872	1	seal 13-32-5 (S7)
B	13	248808	1	clutch assy
	14	• 242369	2	clutch rod
C	15	• 241270	1	clutch spring elite
	16	• 236956	2	washer
	17	242673	1	flywheel
	18	235806	2	screw M5 X 20 TCE
C	19	242783	1	ignition coil
	20	235808	2	screw M5 X 50 TCE
	21	235804	2	screw M5x30
C	22	241541	1	tank mix ass.
B	23	• 229809	1	hose-fuel mm245
B	24	• 229743	1	hose fuel mm150
C	25	• 235675	1	fueltank grommet
A	26	240452	1	pick up fuel
B	27	242484	1	fuel cap assy
A	28	• 236564	1	cap gasket
B	29	242581	1	air filter
	30	235808	2	screw M5 X 50 TCE
	31	242580	1	air filter cover
	33	249136	1	box air filter
C	34	FIGURE 3		
A	35	241281	1	gasket
	36	235806	2	screw M5 X 20 TCE
C	38	241481	1	carb. Spacer
C	39	242855	1	gasket
	40	241267	1	crankshaft ass'y
C	41	227329	1	bearing-needle
	43	242632	2	grommet fuel tank elite
	44	235218	1	nut M8
C	45	242806	1	starter assy
B	46	• 249163	1	pulley/rope
A	47	• 227703	1	rope
	48	• 240884	1	starter-handle
	49	• 227467	1	shield spring
B	50	• 227300	1	spring rewind
	51	• 242786	1	seeger
	52	• 227470	1	washer
	53	242800	1	starter pawl ass'y
B	54	• 241781	2	pawl
B	55	• 241782	2	spring
	56	• 111088	2	snap ring
C	57	241432	1	muffler assy elite
	58	• 227236	1	clamp
	59	• 227274	2	screw M5X60
	60	• 227259	2	washer
A	61	92878	1	spark plug RDJ6J
	62	249420	1	engine cover

Item	P/N McC	P/N ELX	Qty	DESCRIPTION
	64	236322	1	grommet
	66	240688	2	screw m5x14 + washer
	67	235218	1	nut M8
	68	94273	1	valve-comp release
	69	235214	4	screw M6x20
C	70	242854	1	gasket
	71	241248	2	fuel tank grommet (flywheel)
	72	227565	4	screw M5X25

FIGURE 2	42cc
-----------------	-------------

C	1	249164	1	cylind/pist Kit 42 cc
B	2	• 242366	1	cil. gasket
B	3	• 248807	1	piston kit 42 cc
	4	• 229544	2	retaining ring
B	5	• 240085	1	piston ring 42cc.

FIGURE 2	46cc
-----------------	-------------

C	1	247934	1	cylind/pist Kit 46 cc
B	2	• 241431	1	cil. gasket
B	3	• 247258	1	piston kit 46 cc
	4	• 229544	2	retaining ring
B	5	• 240353	1	piston ring 46cc.

FIGURE 3	WALBRO WYJ 183A
-----------------	------------------------

C	-	241268	1	carburettor WYJ 183A
B	1	• 247955	1	repair kit K20 WYJ
A	2	• 247956	1	gasket kit D20 WYJ
C	3	• 225834	1	primer
C	4	• 247957	1	valve
C	5	• 247958	1	spring
C	6	• 247962	1	pumping body
C	7	• 247961	1	valve
C	8	• 247959	1	jet

A=ALTA ROTAZIONE
B=MEDIA ROTAZIONE
C=ALTA ROTAZIONE

A=HIGH MOVING
B=MEDIUM MOVING
C=SLOW MOVING

A=HAUTE DEMANDE
B=MOYENNE DEMANDE
C=BASSE DEMANDE

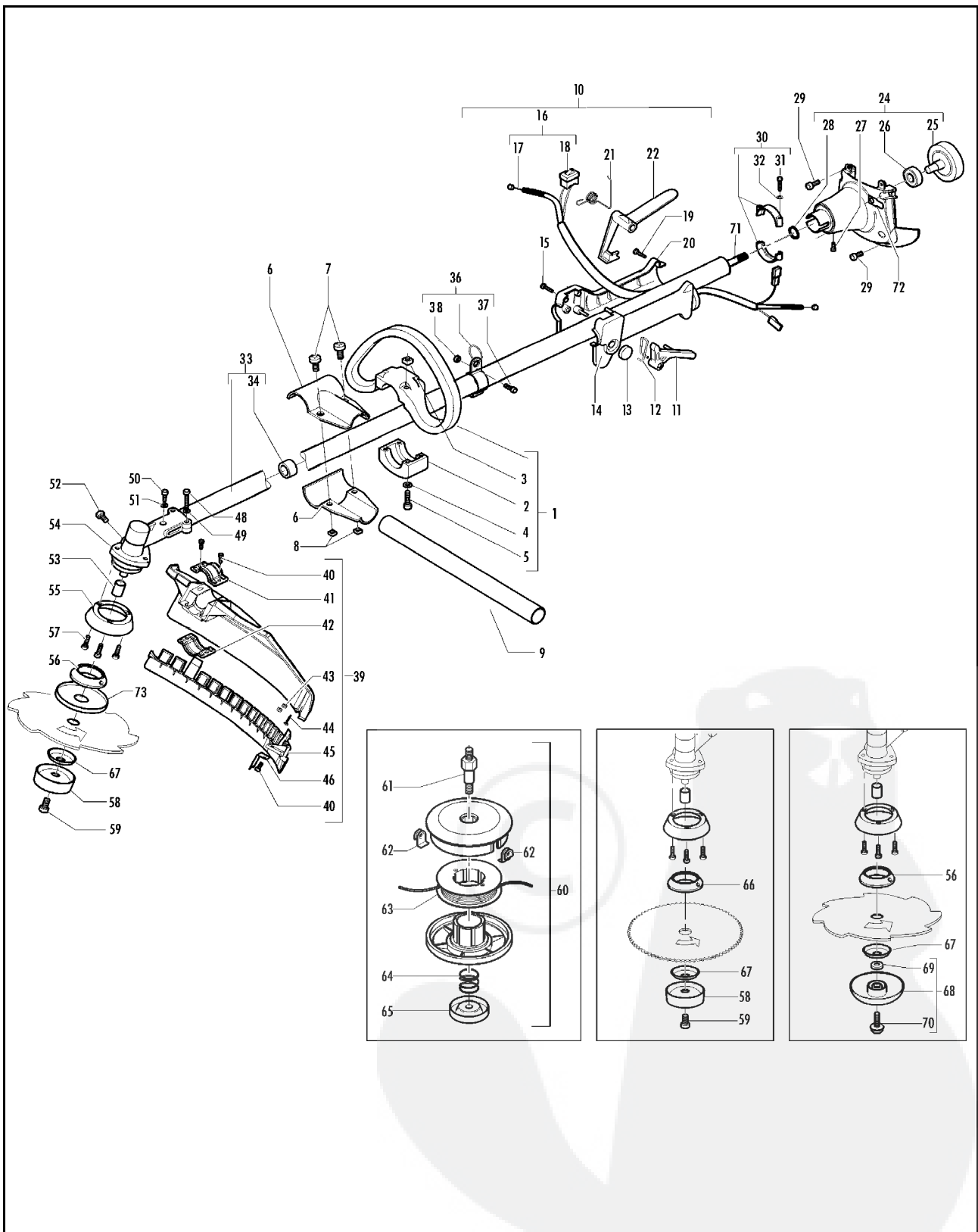
A=GROBE NACHFRAGE
B=MITTELMAESSIGE
C=WENIGE NACHFRAGE

NUOVI CODICI

NEW P. NUMBERS

NOUVELLES REFERENCES

NEU CODEX



Item	P/N McC	P/N ELX	Qty	DESCRIPTION
------	---------	---------	-----	-------------

FIGURE 4				
-----------------	--	--	--	--

1	236999	538236999	1	loop handle ass'y
2	• 236809	538236809	1	clamp
3	• 236642	538236642	4	nut M6
4	• 236936	538236936	4	washer
5	• 228320	538228320	4	screw M6x45
6	240682	538240682	2	barrier clamp
7	235911	538235911	2	screw M6x12
8	236642	538236642	2	nut M6
9	246864	538246864	1	barrier
10	243138	538243138	1	handle ass'y
11	• 240042	538240042	1	throttle trigger
12	• 235932	538235932	1	throttle trigger spring
13	• 241297	538241297	1	cap
14	• 243141	538243141	1	handle (left half)
15	• 240617	538240617	2	screw 3x25
C 16	• 243139	538243139	1	wires ass'y
C 17	•• 242723	538242723	1	throttle cable
C 18	•• 242439	538242439	1	switch
19	• 240618	538240618	4	screw 3x16
20	• 243140	538243140	1	handle (right half)
21	• 240043	538240043	1	safety trigger spring
22	• 240041	538240041	1	safety trigger
24	242625	538242625	1	a/v mount ass'y
25	• 227284	538227284	1	clutch drum
26	• 235918	538235918	1	bearing
27	• 235802	538235802	1	screw M5x14
28	• 236378	538236378	1	seeger ring
29	242784	538242784	4	screw M5x25
30	248805	538248805	1	clamp ass'y
31	• 248804	538248804	2	screw M5x30
32	• 236529	538236529	2	grower d.5
33	240830	538240830	1	30x1455 shaft
34	• 236383	538236383	5	bushing ass'y
36	237783	538237783	1	harness ring ass'y
37	• 235214	538235214	1	screw M6x20
38	• 236642	538236642	1	nut M6
A 39	248960	538248960	1	d.30 safety guard ass'y
40	• 227563	538227563	4	M5x16 screw
41	• 242636	538242636	1	upper clamp
42	• 242752	538242752	1	lower clamp
43	• 229208	538229208	2	nut M5
44	• 240862	538240862	1	screw 4x18
45	• 242630	538242630	1	string head guard
46	• 241973	538241973	1	line cutter
48	235804	538235804	2	M5x30 screw
49	236529	538236529	2	grower d.5
50	236381	538236381	1	M5x10 screw

Item	P/N McC	P/N ELX	Qty	DESCRIPTION
------	---------	---------	-----	-------------

51	236529	538236529	1	grower d.5
52	240151	538240151	1	screw M8x10
53	247272	538247272	1	spacer
54	240824	538240824	1	gear box ass'y
B 55	240767	538240767	1	flange guard
B 56	242410	538242410	1	flange guard
57	240688	538240688	3	screw/washer
B 58	236596	538236596	1	hub
B 59	229842	538229842	1	screw M10x16
B 60	240853B	538040853	1	string head ass'y
61	• 240850	538240850	1	M10 rod
62	• 241154	538241154	2	eyelet
63	• 247395B	538047395	1	D2.4 spool+line
64	• 240852	538240852	1	spring
B 65	• 241153	538241153	1	String head nut
B 66	242475	538242475	1	flange
B 67	229834	538229834	1	flange
B 68	240809	538240809	1	hub ass'y
B 69	• 240807	538240807	1	spacer
B 70	• 240806	538240806	1	rod
71	229829	538229829	1	drive shaft
72	228139	538228139	1	faston
B 73	241155	538241155	1	string head shield

A=ALTA ROTAZIONE
B=MEDIA ROTAZIONE
C=ALTA ROTAZIONE
NUOVI CODICI

A=HIGH MOVING
B=MEDIUM MOVING
C=SLOW MOVING
NEW P. NUMBERS

A=HAUTE DEMANDE
B=MOYENNE DEMANDE
C=BASSE DEMANDE
NOUVELLES REFERENCES

A=GROBE NACHFRAGE
B=MITTELMAESSIGE
C=WENIGE NACHFRAGE
NEU CODEX



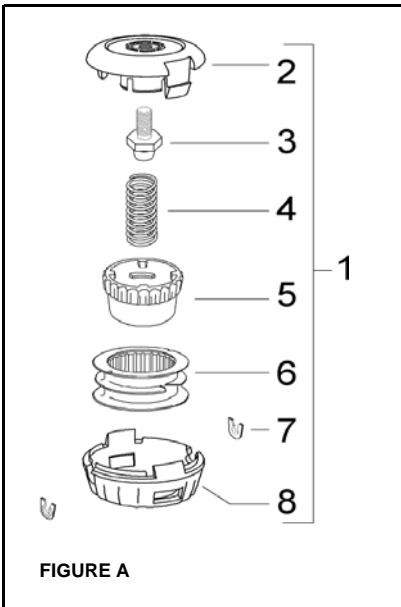
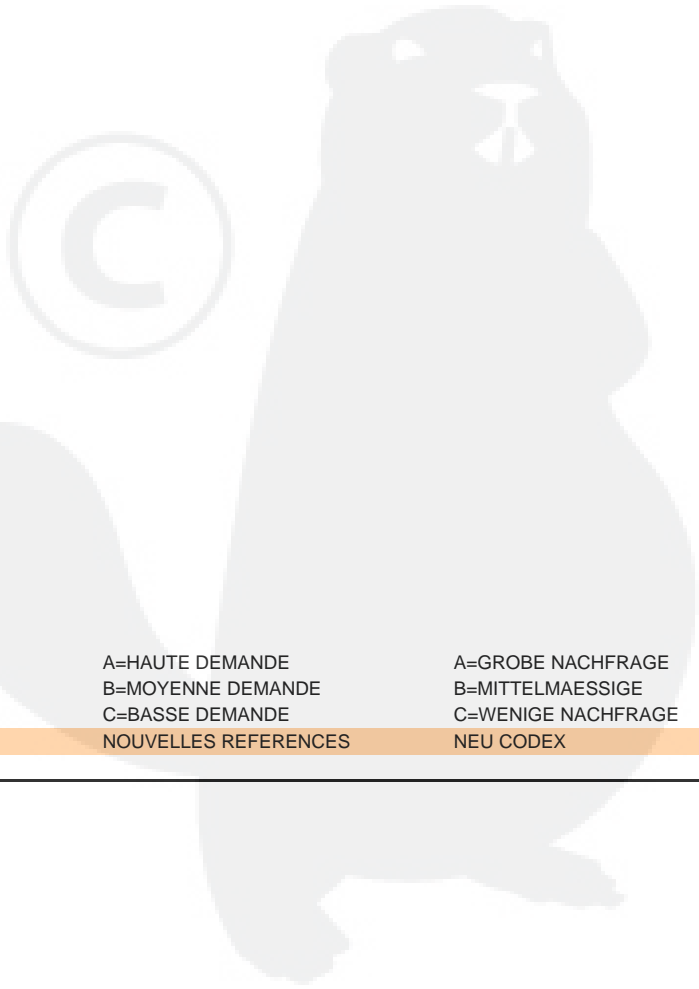


FIGURE A

A	1	531025002	531025002	1	P 35 trimmer head
	2	• 537421501	537421501	1	body
	3	• 537427901	537427901	1	adapter P35
C	4	• 537186001	537186001	1	spring T35
C	5	• 537421801	537421801	1	knob
C	6	• 537421701	537421701	1	spool
C	7	• 537419701	537419701	2	bushing
	8	• 537421601	537421601	1	cover



A=ALTA ROTAZIONE
 B=MEDIA ROTAZIONE
 C=ALTA ROTAZIONE
 NUOVI CODICI

A=HIGH MOVING
 B=MEDIUM MOVING
 C=SLOW MOVING
 NEW P. NUMBERS

A=HAUTE DEMANDE
 B=MOYENNE DEMANDE
 C=BASSE DEMANDE
 NOUVELLES REFERENCES

A=GROBE NACHFRAGE
 B=MITTELMAESSIGE
 C=WENIGE NACHFRAGE
 NEU CODEX