

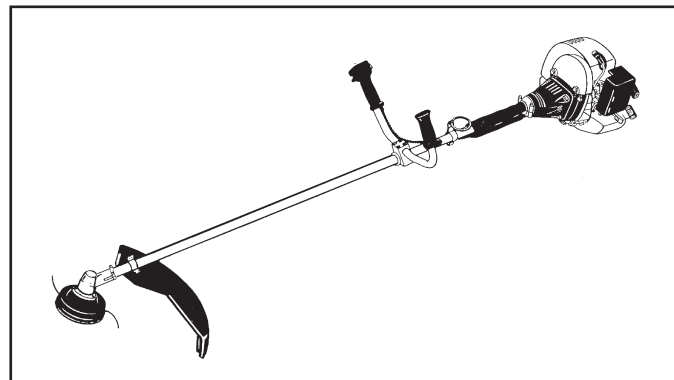
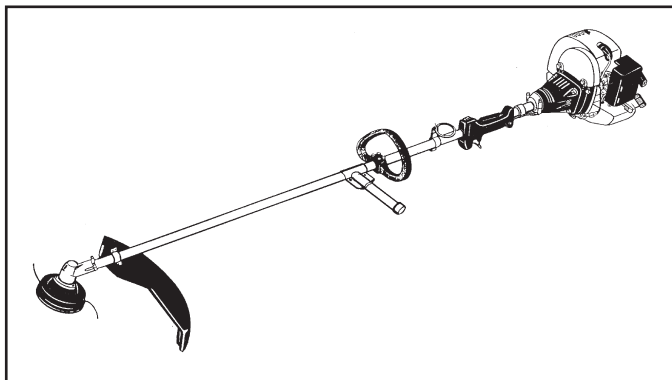
McCULLOCH®

PARTNER

ILLUSTRATED PARTS LIST

ELITE 4200 - 4300 - 4300 PRO
ELITE 4600X - 4700X - 4700X PRO
PARTNER B410 - B420 - B460 - B470

SERIAL NUMBER PREFIX 01



March 2002

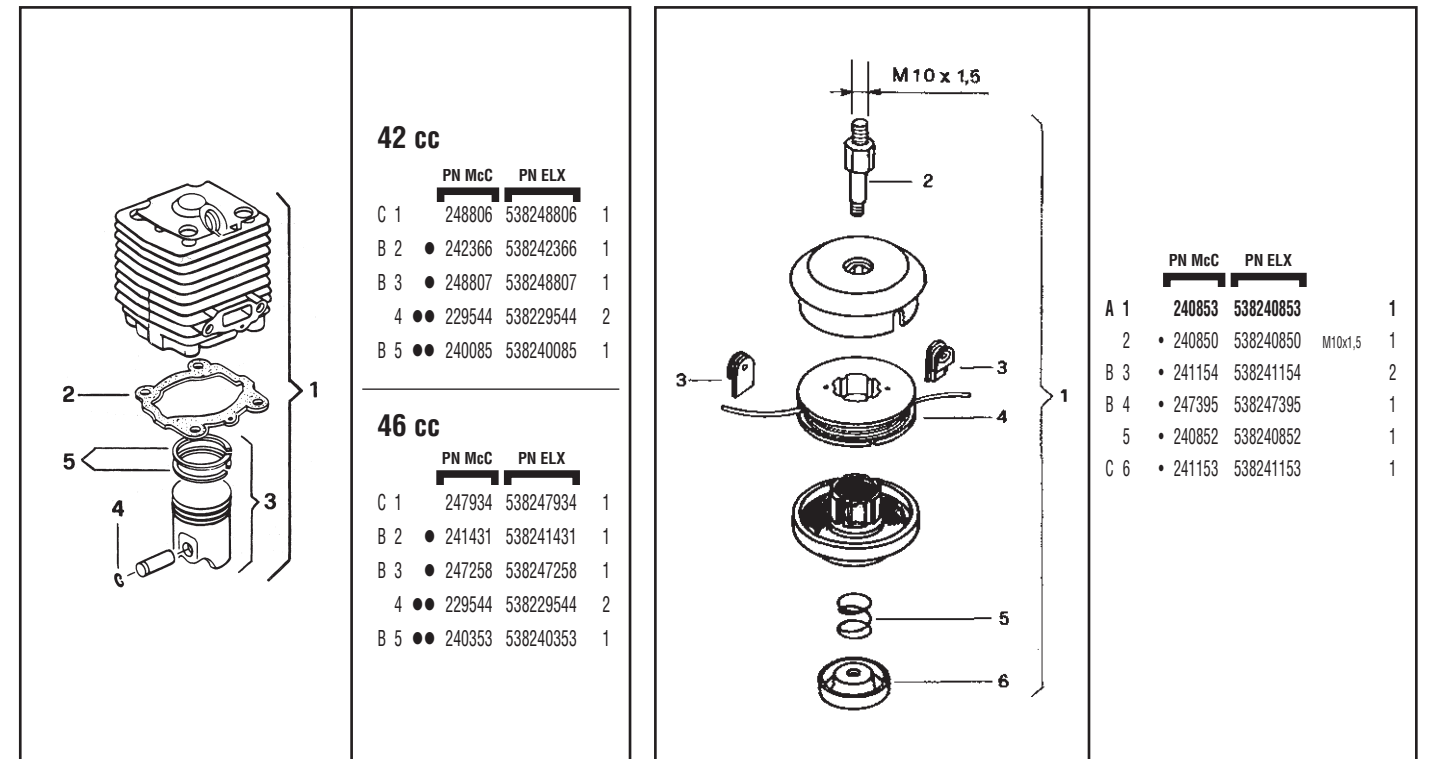
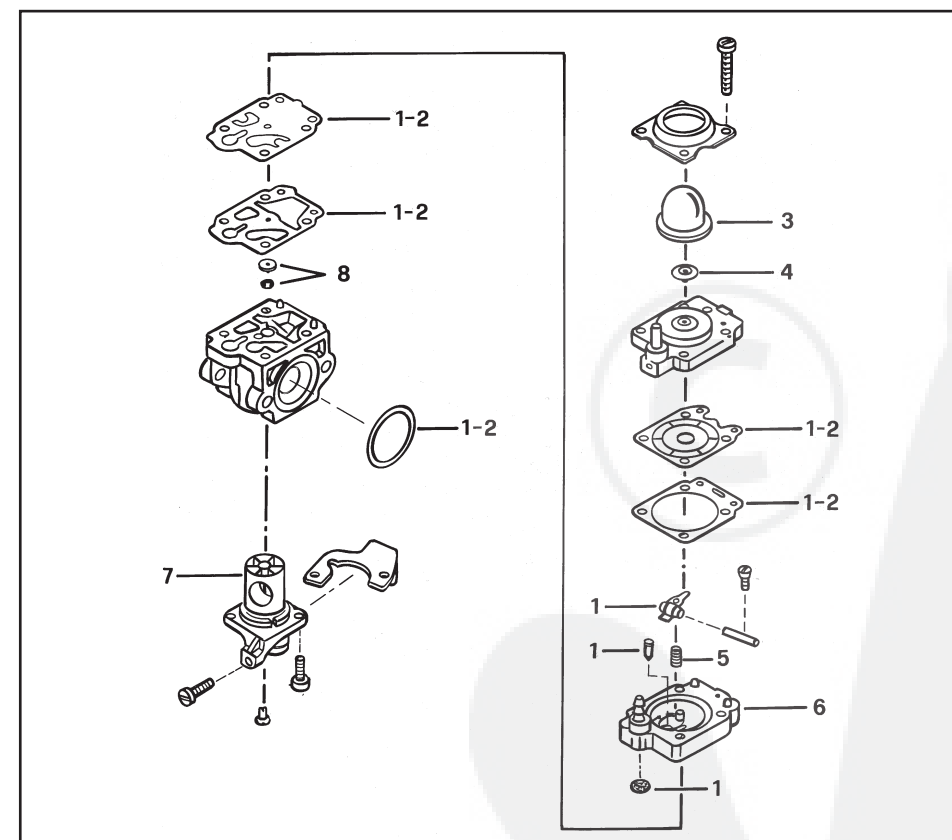


FIGURE 3

FIGURE 4



WALBRO WYJ 183A (46 cc)

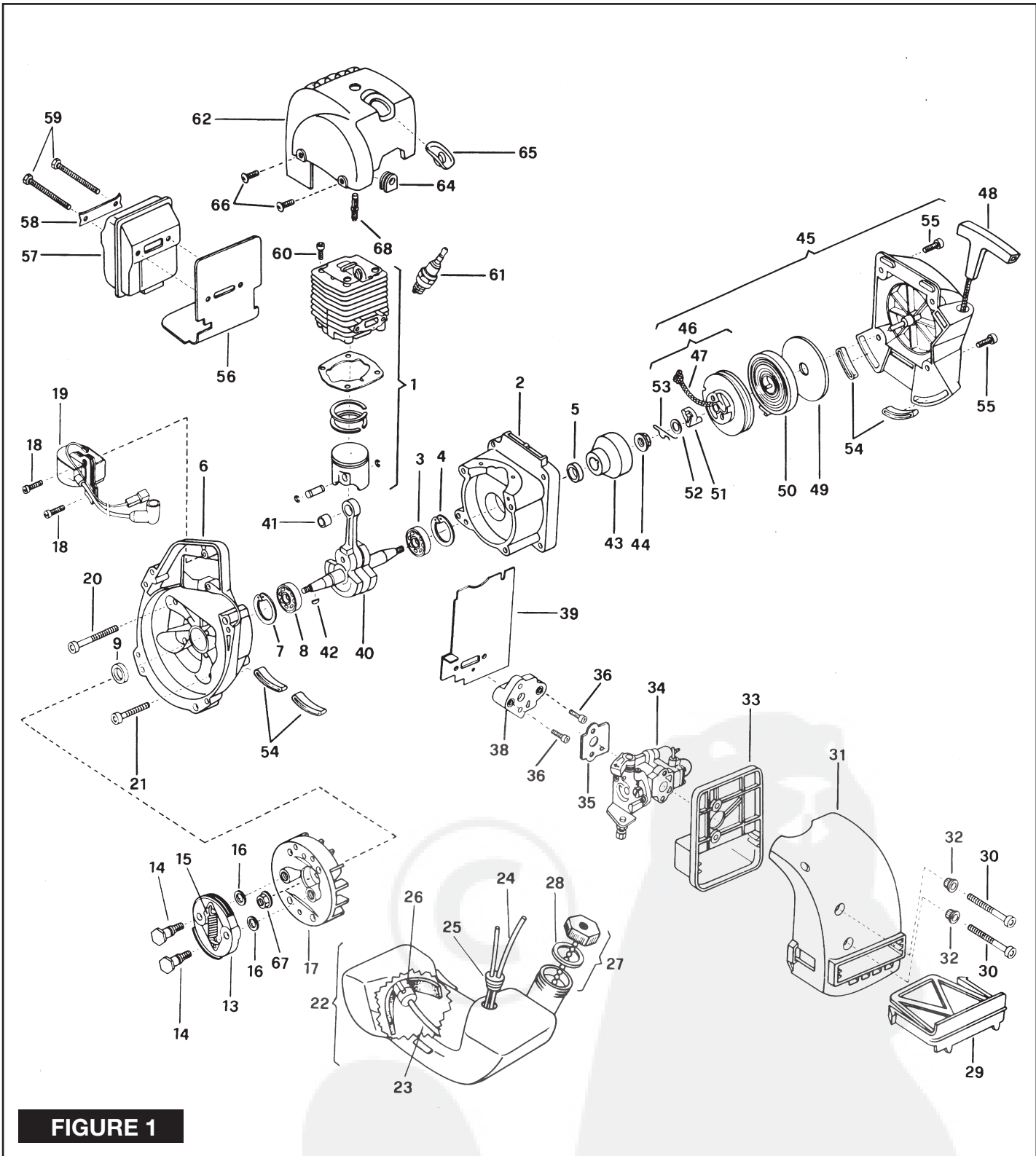
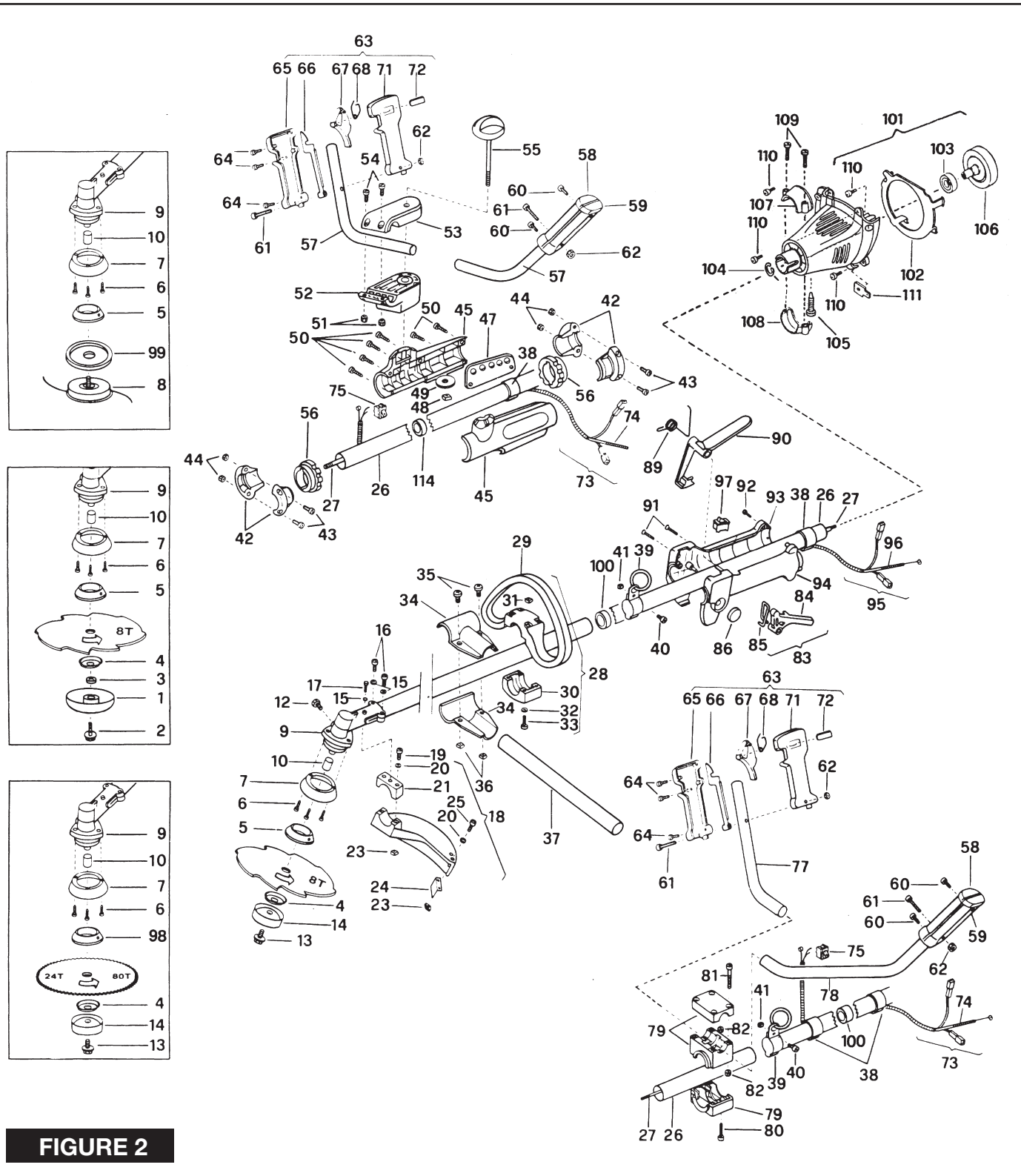
WALBRO WYJ 208 (42 cc)

	PN McC	PN ELX	
C -	241268	538241268	1
B 1	• 247955	538247955	1
A 2	•• 247956	538247956	1
C 3	• 225834	538225834	1
C 4	• 247957	538247957	1
C 5	• 247958	538247958	1
C 6	• 247962	538247962	1
C 7	• 247961	538247961	1
C 8	• 247959	538247959	1

	PN McC	PN ELX	
C -	241476	538241476	1
B 1	• 247955	538247955	1
A 2	•• 247956	538247956	1
C 3	• 225834	538225834	1
C 4	• 247957	538247957	1
C 5	• 247958	538247958	1
C 6	• 247962	538247962	1
C 7	• 247961	538247961	1
C 8	• 247960	538247960	1

FIGURE 5

A = high moving - alta rotazione - haute demande - große Nachfrage
 B = medium moving - media rotazione - moyenne demande - mittelmäßige Nachfrage
 C = slow moving - bassa rotazione - basse demande - wenige Nachfrage



PN McC		PN ELX		PN McC		PN ELX		PN McC		PN ELX		PN McC		PN ELX					
A 1	240809B	538240809	1	25	235802	538235802	2	47	240966	538240966	1	71	241294	538241294	1	C 96	241441	538241441	1
A 2	240806	538240806	1	26	240830	538240830	1	48	241003	538241003	1	72	241292	538241292	1	C 97	236394	538236394	1
A 3	240807	538240807	1	27	229829	538229829	1	49	241004	538241004	1	C 73	241410	538241410	1	A 98	240936	538240936	1
A 4	229834	538229834	1	28	236999	538236999	1	50	241002	538241002	6	C 74	241424	538241424	1	A 99	241155	538241155	1
A 5	242410	538242410	1	29	236808	538236808	1	51	235216	538235216	2	C 75	236394	538236394	1	100	236383	538236383	5
A 6	240688	538240688	3	30	236809	538236809	1	52	240967	538240967	1	101	242236	538242236	1	101	242236	538242236	1
B 7	240767	538240767	1	31	236642	538236642	4	53	240968	538240968	1	78	229832	538229832	1	C 102	242398	538242398	1
A 8	FIGURE 4			32	236936	538236936	4	54	227563	538227563	2	79	240017	538240017	1	C 103	235918	538235918	1
9	240824	538240824	1	33	228320	538228320	4	55	240971	538240971	1	80	235921	538235921	2	C 104	236378	538236378	1
10	247272	538247272	1	34	240682	538240682	2	56	240970	538240970	2	81	236558	538236558	4	105	235802	538235802	1
12	240151	538240151	1	35	235911	538235911	2	57	241010	538241010	1	82	235912	538235912	6	106	227284	538227284	1
A 13	229842	538229842	1	36	236642	538236642	1	58	229885	538229885	1	83	241439	538241439	1	107	225472	5382225472	1
A 14	236596	538236596	1	37	246864	538246864	1	59	229984	538229984	1	84	240042	538240042	1	108	237779	538237779	1
15	236529	538236529	3	38	229849	538229849	2	60	240833	538240833	2	85	235932	538235932	1	109	235804	538235804	2
16	235804	538235804	2	39	237783	538237783	1	61	235804	538235804	2	86	241297	538241297	1	110	235806	538235806	4
17	236381	538236381	1	40	235911	538235911	1	62	235216	538235216	2	89	240043	538240043	1	111	228139	5382228139	1
B 18	247209	538247209	1	41	236642	538236642	1	63	241406	538241406	1	90	240041	538240041	1				
19	235806	538235806	2	42	240969	538240969	4	64	240833	538240833	6	91	240617	538240617	2				
20	235248	538235248	4	43	227563	538227563	4	65	241293	538241293	1	92	240618	538240618	4				
21	240870	538240870	1	44	235216	538235216	4	66	229820	538229820	1	93	240039	538240039	1				
23	236732	538236732	4	45	241001	538241001	1	67	241295	538241295	1	94	240040	538240040	1				
24	241973	538241973	1		241742	538241742	1	68	240091	538240091	1	C 95	241440	538241440	1				

A = high moving - alta rotazione - haute demande - große Nachfrage B = medium moving - media rotazione - moyenne demande - mittelmäßige Nachfrage C = slow moving - bassa rotazione - basse demande - wenige Nachfrage

PN McC		PN ELX		PN McC		PN ELX		PN McC		PN ELX		PN McC		PN ELX		
C 1	FIGURE 3			C 19	241298	538241298	42 cc	1	32	227924	538227924	2	A 47	227703	538227703	1
2	247936	538247936	1		242164	538242164	46 cc	1	33	241211	538241211	1	48	240884	538240884	1
3	235900	538235900	1	20	235808	538235808		2	C 34	FIGURE 5			49	227467	538227467	1
4	235899	538235899	1	21	235804	538235804		2	A 35	241281	538241281	1	B 50	227300	538227300	1
C 5	228872	538228872	1	C 22	241282	538241282		1	36	235806	538235806	2	B 51	240492	538240492	1
6	247935	538247935	1	B 23	229809	538229809		1	C 38	241481	538241481	1	B 52	227470	538227470	1
7	235899	538235899	1	B 24	229743	538229743		1	C 39	241428	538241428	1	53	240485	538240485	1
8	235900	538235900	1	C 25	235675	538235675		1	40	241267	538241267	1	54	241248	538241248	1
C 9	228872	538228872	1	A 26	240452	538240452		1	C 41	227329	538227329	1	55	236527	538236527	4
B 13	248808	538248808	4	B 27	236563	538236563		1	C 42	227631	538227631	1	C 56	241414	538241414	1
14	242369	538242369	1	A 28	236564	538236564		1	43	241223	538241223	1	C 57	241432	538241432	1
C 15	241270	538241270	1	B 29	241213	538241213		1	44	235218	538235218	1	58	227236	538227236	1
16	235218	538235218	1	30	235808	538235808		2	C 45	241283	538241283	Black/Or	59	227274	538227274	2
17	241240	538241240	1	31	241477	538241477	Yellow/Gallo	1	241834	538241834	Gold/Or	1	60	227565	538227565	4
18	235806	538235806	2	241589	538241589	Gold/Or	1	B 46	227194	538227194	1	A 61	92879	538092879	1	

A = high moving - alta rotazione - haute demande - große Nachfrage B = medium moving - media rotazione - moyenne demande - mittelmäßige Nachfrage C = slow moving - bassa rotazione - basse demande - wenige Nachfrage