

# ***PARTNER***



***IPL, K950 Active, 2006-07, 544 08 64-02***

***K950 Active***

***Reservdelar***

***Spare parts***

***Ersatzteile***

***Pieces de rechange***

***Piezas de repuesto***

***Ricambi***

***Peças  
sobresselente***

***544 08 64-02***

---

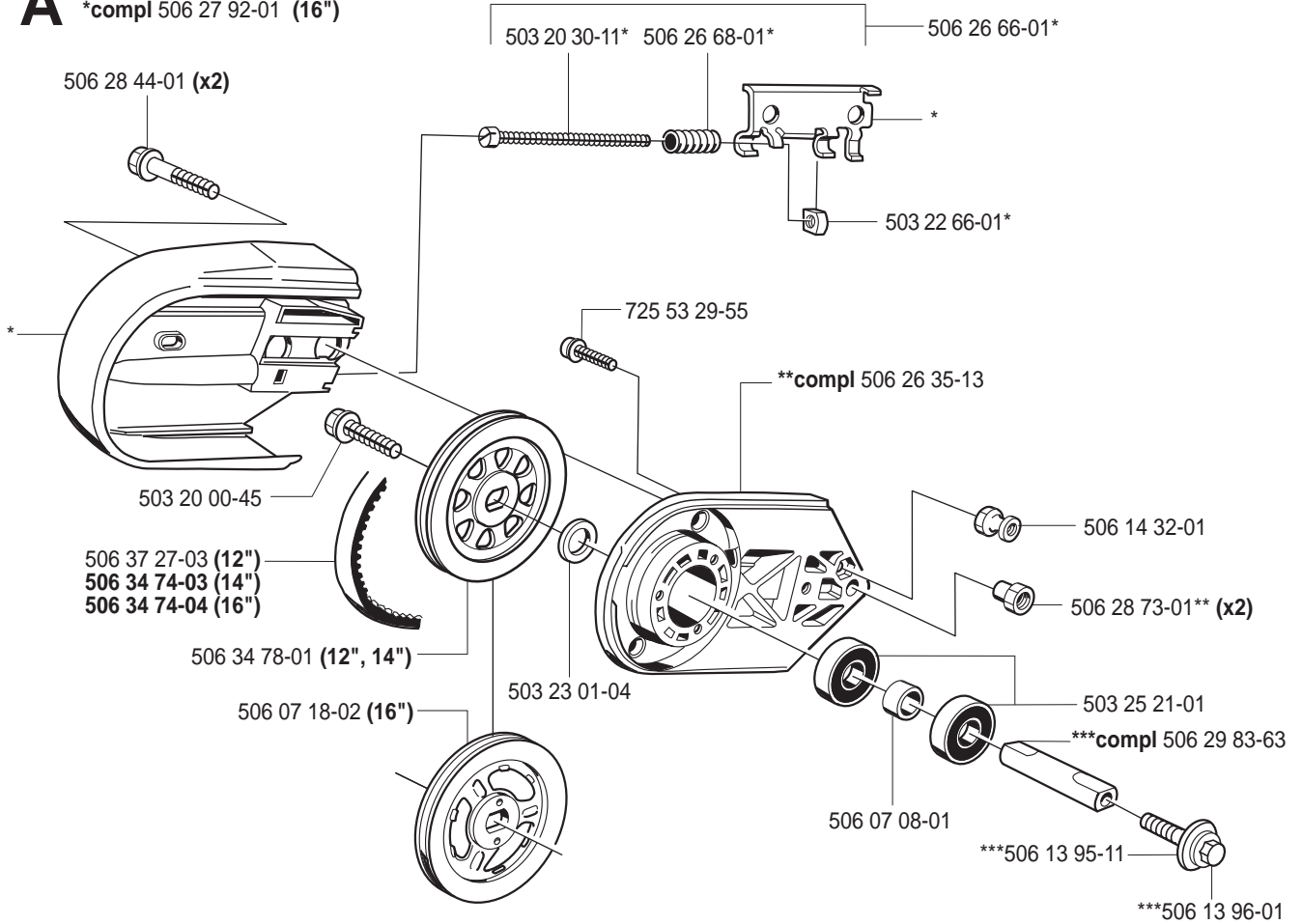
# ***PARTNER***<sup>®</sup>

No.	Pos.	Description	No.	Pos.	Description
501 22 03-01	M	PLUG	505 31 65-50	M	INLET NEEDLE
501 22 04-01	M	BALL	505 39 75-13	B	INFORMATION LABEL
501 22 05-01	M	SPRING	506 02 87-01	B	WASHER
501 22 12-01	M	FUEL PUMP DIAPHRAGM	506 02 88-30	B	BUSHING
501 22 13-01	M	GASKET, PUMP SIDE	506 07 08-01	A	SPACER
501 22 15-01	M	SCREW	506 07 09-01	B	WASHER
501 22 20-01	M	LEVER	506 07 18-02	A	PULLEY
501 22 21-01	M	SHAFT	506 09 56-02	P	CLAMP
501 22 25-01	M	SPRING	506 09 58-24	P	HOSE 800 MM
501 48 52-01	M	SCREW	506 09 75-02	P	HOSE
501 48 54-02	J	SPARK PLUG CONN. KIT	506 13 35-01	L	BRACKET
501 63 48-01	J	SPRING	506 13 95-11	AB	WASHER
501 67 32-03	J	PAWL	506 13 96-01	AB	SCREW
501 69 17-02	N	COMB.TOOL	506 14 32-01	A	CATCH
501 76 83-05	G	HOSE	506 15 55-06	E	CYLINDER CPL.
501 76 83-31	G	HOSE	506 15 56-02	E	PISTON
501 81 99-01	J	SCREW	506 15 82-01	E	GASKET
501 82 18-01	M	RETAINING RING	506 16 91-01	E	CONDUCTOR
501 83 98-01	J	SHORTING LEAD	506 21 68-12	G	TANK UNIT
502 21 58-01	N	ALLEN KEY	506 22 16-13	K	CYLINDER COVER
503 12 79-02	H	STARTER HANDLE	506 22 17-01	K	COVER
503 14 29-02	Q	WASHER	506 22 18-12	K	BASE
503 14 51-01	C	CLUTCH SPRING	506 22 19-01	L	PIPE
503 20 00-45	A	SCREW	506 22 22-02	H	AIR CONDUCTOR
503 20 02-12	B	SCREW	506 22 27-01	G	THROTTLE TRIGGER
503 20 02-16	EGKLQ	SCREW	506 22 28-01	G	THROTTLE LOCK
503 20 02-30	K	SCREW	506 22 29-01	G	SPRING
503 20 02-55	L	SCREW	506 22 31-01	L	ROD
503 20 25-20	J	SCREW	506 22 39-01	L	FLANGE
503 20 30-11	A	SCREW	506 22 94-01	K	JET
503 20 34-42	K	SCREW	506 23 12-01	L	GUIDE
503 20 59-20	CH	SCREW	506 23 13-01	G	HANDLE
503 21 05-22	G	SCREW	506 23 14-01	C	WHEEL
503 21 05-45	G	SCREW	506 23 14-02	C	WHEEL
503 21 06-19	P	SCREW	506 23 19-01	K	FILTER
503 21 28-06	J	SCREW	506 23 20-11	L	CHOKE CONTROL
503 21 28-10	H	SCREW	506 23 24-01	D	GASKET
503 21 67-22	H	SCREW	506 23 30-01	G	SUPPORT
503 22 10-11	J	NUT	506 23 33-05	D	CRANKCASE
503 22 65-04	Q	NUT	506 23 59-07	H	STARTER DEVICE
503 22 66-01	A	NUT	506 23 61-01	G	TANK VENT.
503 23 00-42	J	WASHER	506 23 75-01	G	SPRING
503 23 01-01	J	WASHER	506 24 39-01	K	DECAL
503 23 01-04	A	WASHER	506 25 14-01	H	WASHER
503 23 04-02	E	WASHER	506 25 30-01	H	SPRING
503 23 51-08	J	SPARK PLUG	506 25 59-32	G	TANK CAP
503 25 00-02	DF	BALL BEARING	506 25 64-02	M	INSERT
503 25 21-01	A	BALL BEARING	506 25 81-02	H	STARTER PULLEY
503 25 38-01	C	NEEDLE BEARING	506 25 84-01	M	GASKET
503 25 61-01	EF	TANK UNIT	506 25 85-01	M	DIAPHRAGM
503 26 02-05	D	SEALING RING	506 25 88-01	M	GASKET SET
503 26 30-21	P	O-RING	506 25 89-01	H	RETURN SPRING
503 26 60-01	P	FEMALE QUICK COUPLER	506 26 31-01	H	SLEEVE
503 28 04-02	LM	CARBURETOR	506 26 35-13	A	HOUSING
503 28 90-24	E	PISTON RING	506 26 41-01	G	FILTER
503 28 90-24	E	PISTON RING	506 26 41-11	G	FILTER
503 40 06-07	L	HOSE	506 26 54-01	C	CLUTH COVER
503 45 46-01	G	CONNECTION	506 26 63-02	BQ	LINING
503 46 85-01	G	ANTIVIBE ELEMENT	506 26 64-01	B	FLANGE
503 53 36-01	M	COVER	506 26 65-01	B	FLANGE
503 53 39-01	M	NIPPLE	506 26 66-01	A	TENSIONER
503 56 00-02	L	CLAMP	506 26 68-01	A	SPRING
503 57 76-02	G	HOSE	506 27 11-01	G	PENDULUM
503 57 86-01	M	BALL	506 27 14-01	M	SCREW
503 57 87-01	M	SCREW	506 27 23-01	H	DECAL
503 57 89-01	G	HOLDER	506 27 24-01	K	DECAL
503 66 56-01	E	VALVE	506 27 25-01	L	PROTECTOR
503 67 80-01	L	SLEEVE	506 27 27-01	J	FLYWHEEL
503 70 15-01	C	CLUTCH KPL.	506 27 31-01	D	BUFFER
503 78 26-74	F	CRANKSHAFT	506 27 63-01	M	REPAIR KIT
503 98 82-01	M	SCREEN	506 27 84-42	K	DECAL
505 27 75-16	J	INSULATING CAP	506 27 84-61	K	DECAL

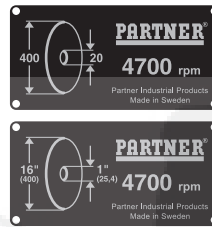
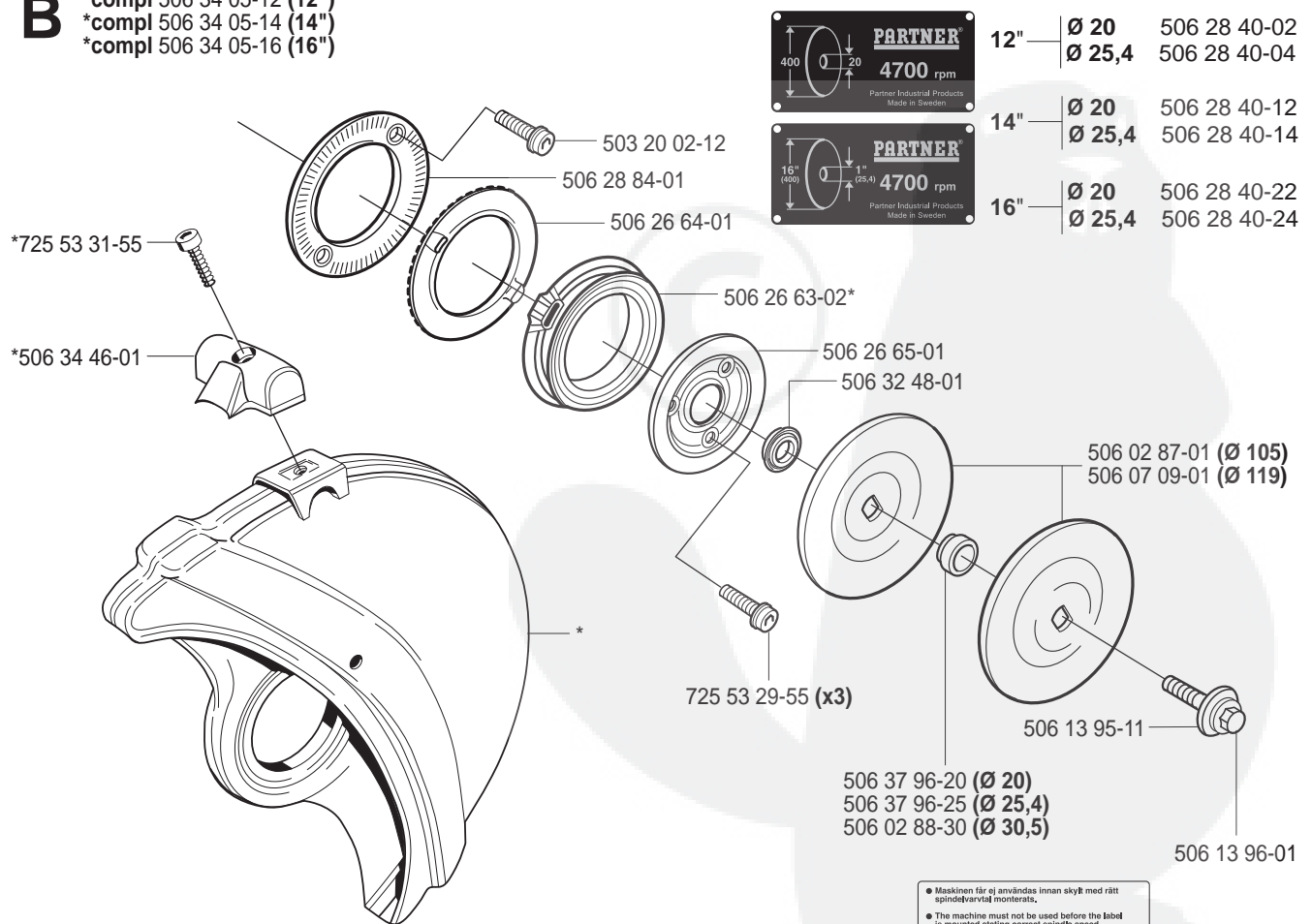
No.	Pos.	Description	No.	Pos.	Description
506 27 84-63	K	DECAL	725 53 31-55	BQ	SCREW
506 27 92-01	A	COVER	725 53 40-55	D	SCREW
506 27 93-01	A	COVER	725 53 72-55	E	SCREW
506 28 39-30	K	SEALING	737 44 13-00	E	CLIP
506 28 39-30	K	SEALING	740 43 13-00	H	O-RING
506 28 40-02	B	LABEL	740 48 20-03	K	O-RING
506 28 40-04	B	LABEL			
506 28 40-12	B	LABEL			
506 28 40-14	B	LABEL			
506 28 40-22	B	LABEL			
506 28 40-24	B	LABEL			
506 28 44-01	A	BOLT			
506 28 53-01	G	SPRING			
506 28 59-01	C	SPACER SLEEVE			
506 28 63-01	M	SPRING			
506 28 68-01	M	COVER			
506 28 73-01	A	NUT			
506 28 84-01	B	FLANGE			
506 28 95-01	G	NIPPLE			
506 29 05-04	N	SET OF GASKETS			
506 29 09-01	M	THROTTLE SHAFT(KIT)			
506 29 10-01	M	SEALING, KIT			
506 29 11-01	M	CHOKE SHAFT (KIT)			
506 29 13-01	M	JET (KIT)			
506 29 21-01	G	GASKET			
506 29 56-01	P	NIPPLE			
506 29 57-02	P	NIPPLE			
506 29 75-01	Q	HANDLE			
506 29 76-01	Q	HARNESS			
506 29 79-01	G	PLATE			
506 29 83-63	A	SHAFT			
506 29 88-01	P	SCREEN			
506 30 23-01	Q	DECAL			
506 30 24-01	Q	DECAL			
506 30 25-01	Q	BRACKET CPL			
506 30 40-22	Q	DECAL			
506 30 40-31	Q	DECAL			
506 30 40-33	Q	DECAL			
506 31 07-01	C	DECAL			
506 31 77-11	P	VALVE CPL			
506 31 86-01	J	STOP SWITCH			
506 32 20-01	Q	DECAL			
506 32 21-01	K	DECAL			
506 32 22-01	Q	DECAL			
506 32 48-01	B	FLANGE			
506 32 87-01	P	Y TUBE			
506 32 89-03	P	WET CUTTING KIT			
506 33 56-15	H	STARTER ROPE			
506 33 72-02	H	STARTER DEVICE			
506 34 05-12	B	GUARD			
506 34 05-14	B	GUARD			
506 34 05-16	B	GUARD			
506 34 05-24	Q	GUARD			
506 34 46-01	BQ	HANDLE			
506 34 70-01	K	AIR FILTER			
506 34 74-03	A	BELT			
506 34 74-04	A	BELT			
506 34 78-01	A	PULLEY			
506 35 27-01	P	SPRING			
506 36 52-01	L	KNUCKLE			
506 37 27-03	A	V-BELT			
506 37 28-02	E	MUFFLER			
506 37 81-01	E	GASKET MUFFLER			
506 37 96-20	B	BUSHING			
506 37 96-25	B	BUSHING			
506 38 59-02	P	HOSE & VALVE CPL			
506 38 78-34	J	HOSE			
544 01 88-01	J	IGNITION MODULE			
544 38 31-01	G	SPRING			
720 12 40-20	G	PIN			
720 13 07-10	D	PIN			
725 53 29-55	AB	SCREW			

**A**

\*compl 506 27 93-01 (12", 14")  
 \*compl 506 27 92-01 (16")

**B**

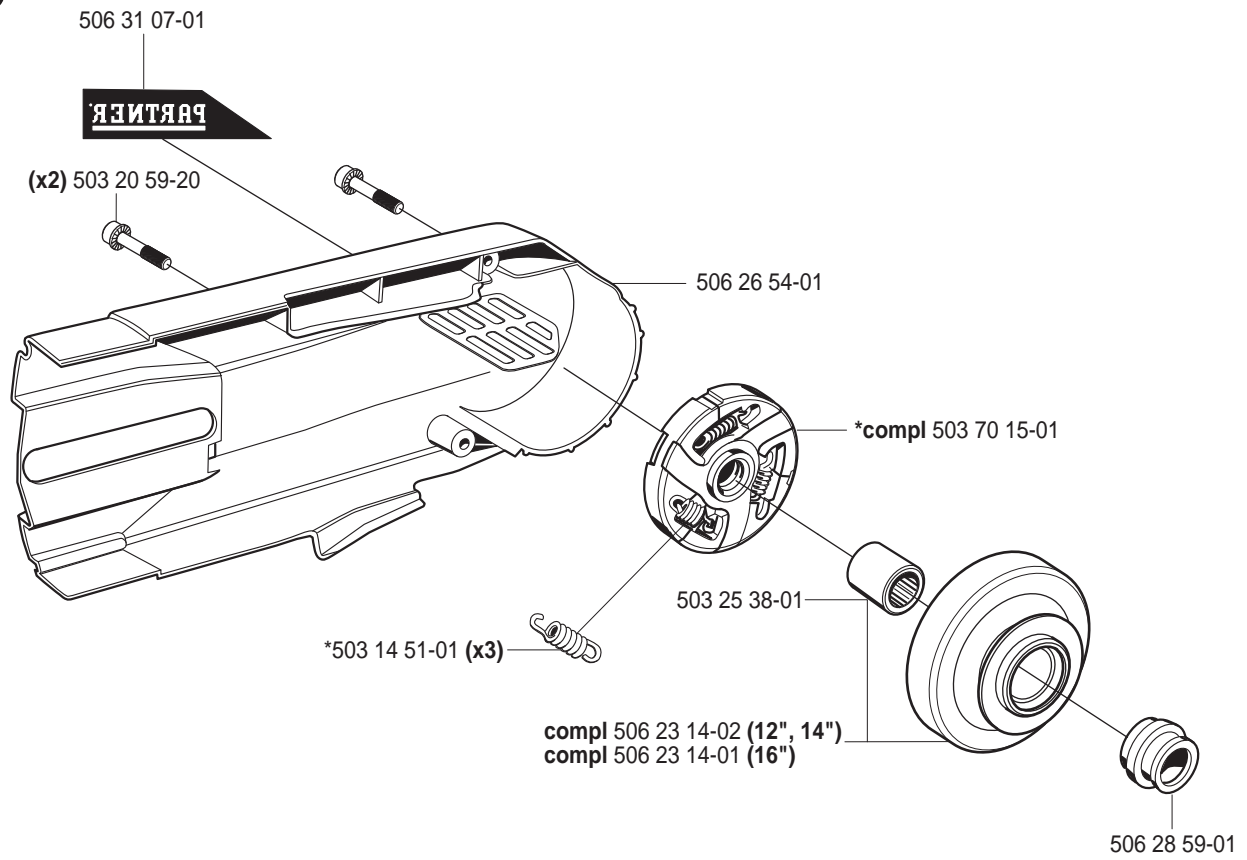
\*compl 506 34 05-12 (12")  
 \*compl 506 34 05-14 (14")  
 \*compl 506 34 05-16 (16")



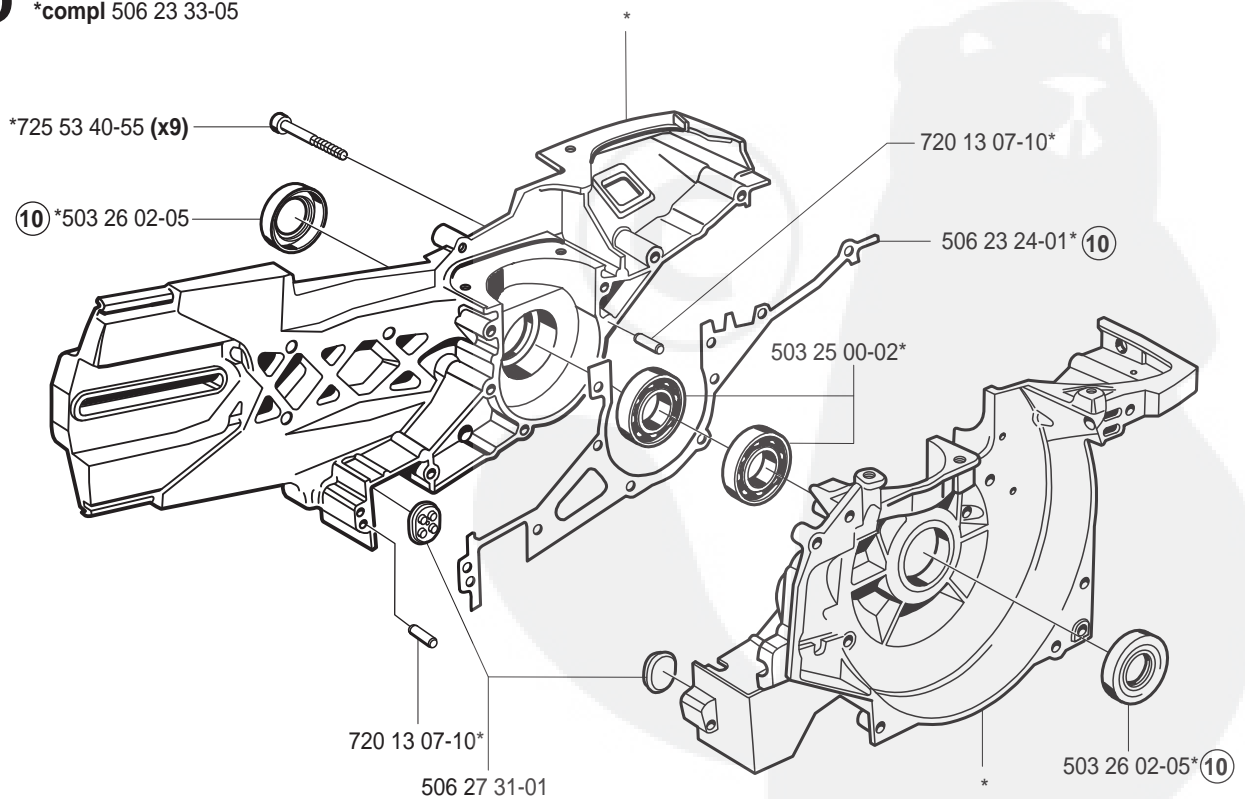
12"	Ø 20	506 28 40-02
	Ø 25,4	506 28 40-04
14"	Ø 20	506 28 40-12
	Ø 25,4	506 28 40-14
16"	Ø 20	506 28 40-22
	Ø 25,4	506 28 40-24

\*505 39 75-13

- Maskinen får ej användas innan skylt med rätt spindelvarvital monterats.
- The machine must not be used before the label is mounted stating correct spindle speed.
- Dieses Gerät darf erst nach montage des Typschil- des mit Spindel-drehzahl-Angabe benutzt werden.
- La machine ne devra être mise en service qu'après installation préalable d'une plaque indiquant de la broche.

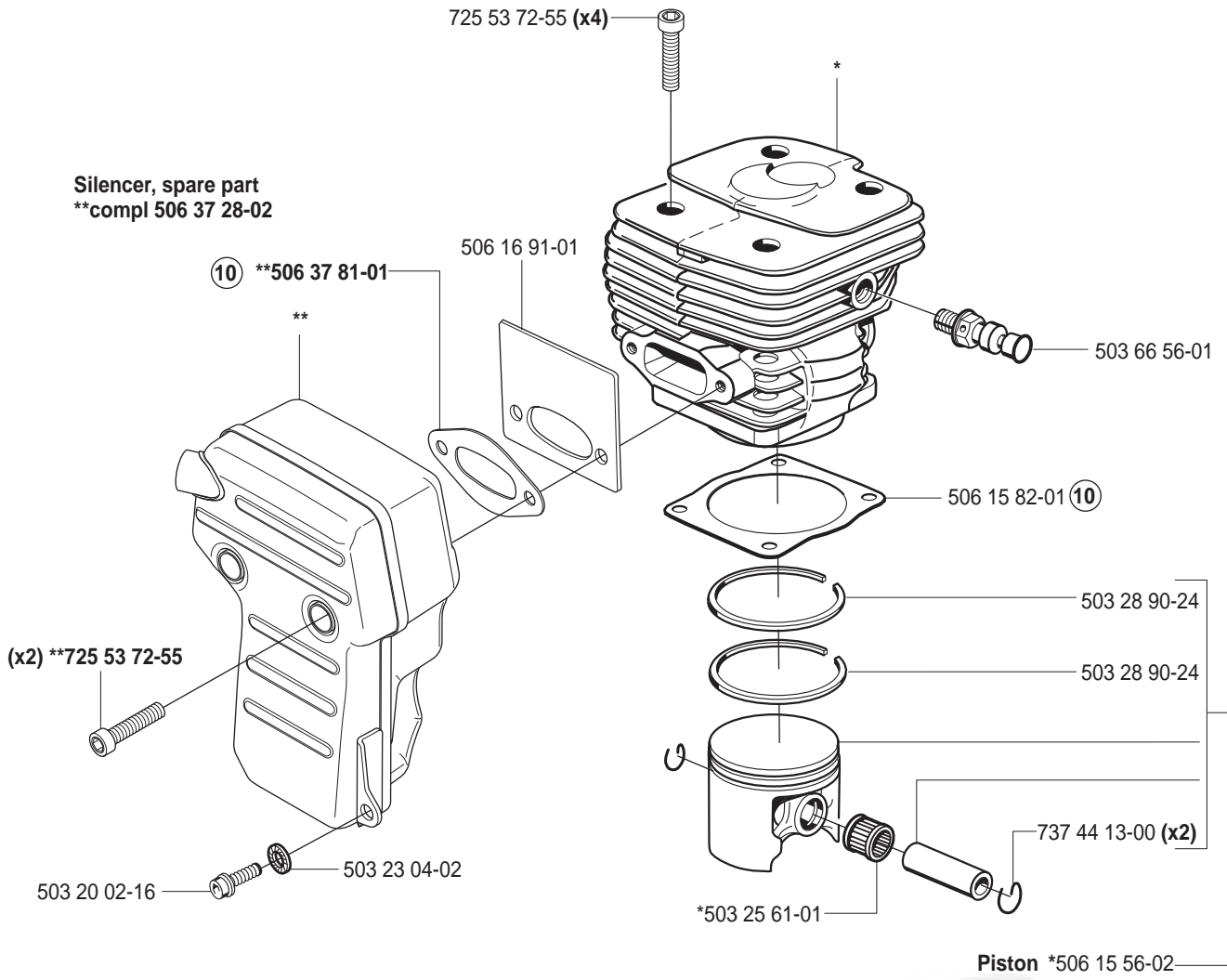
**C****D**

**Crankcase**  
\*compl 506 23 33-05

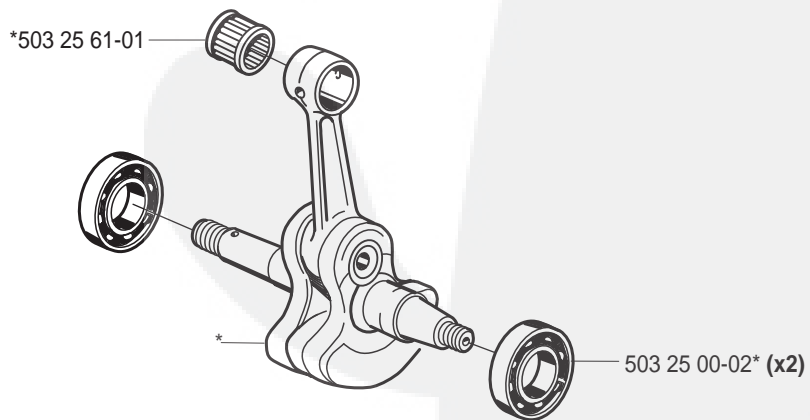


**E** Cylinder and piston  
 \*compl 506 15 55-06

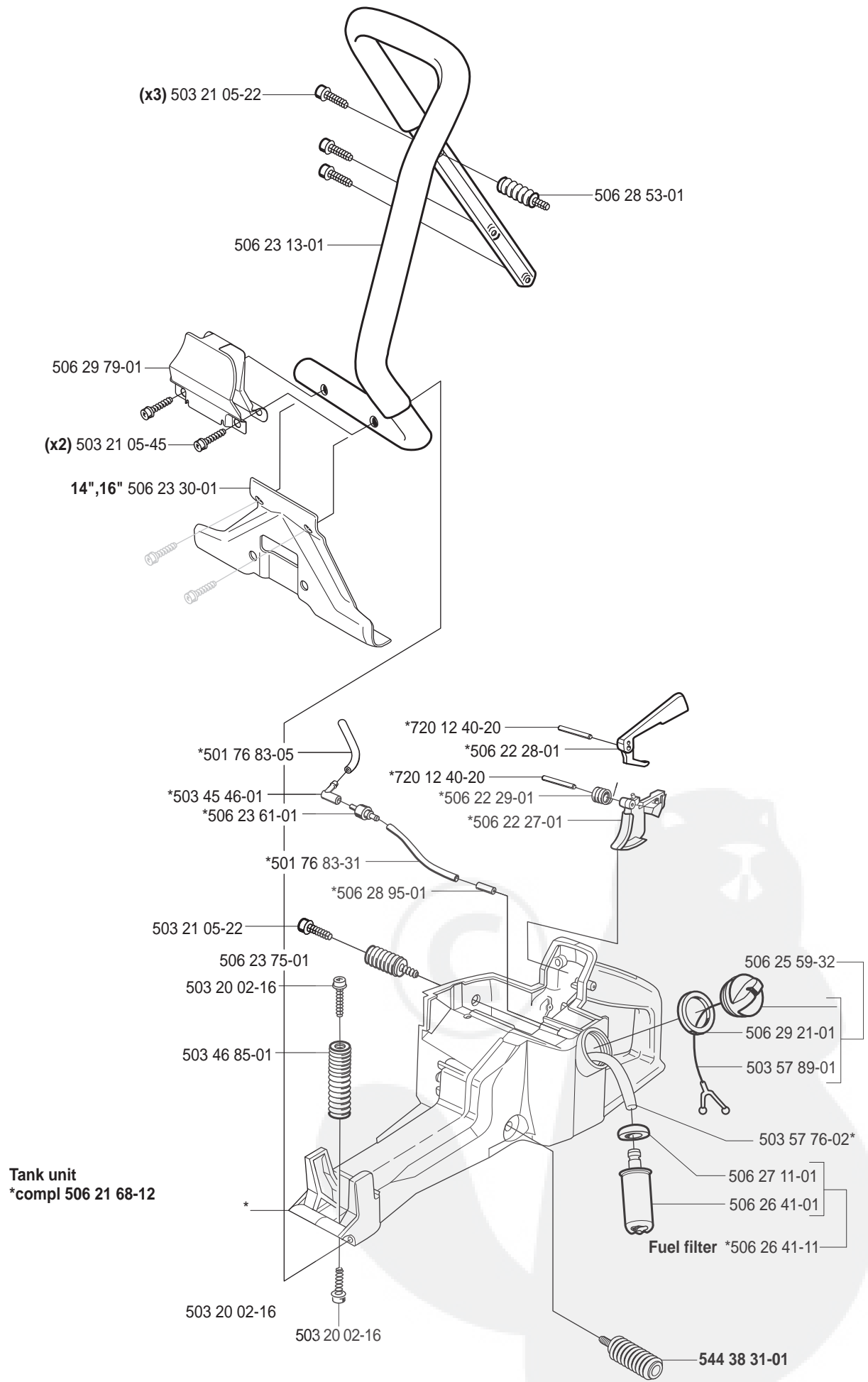
Silencer, spare part  
 \*\*compl 506 37 28-02



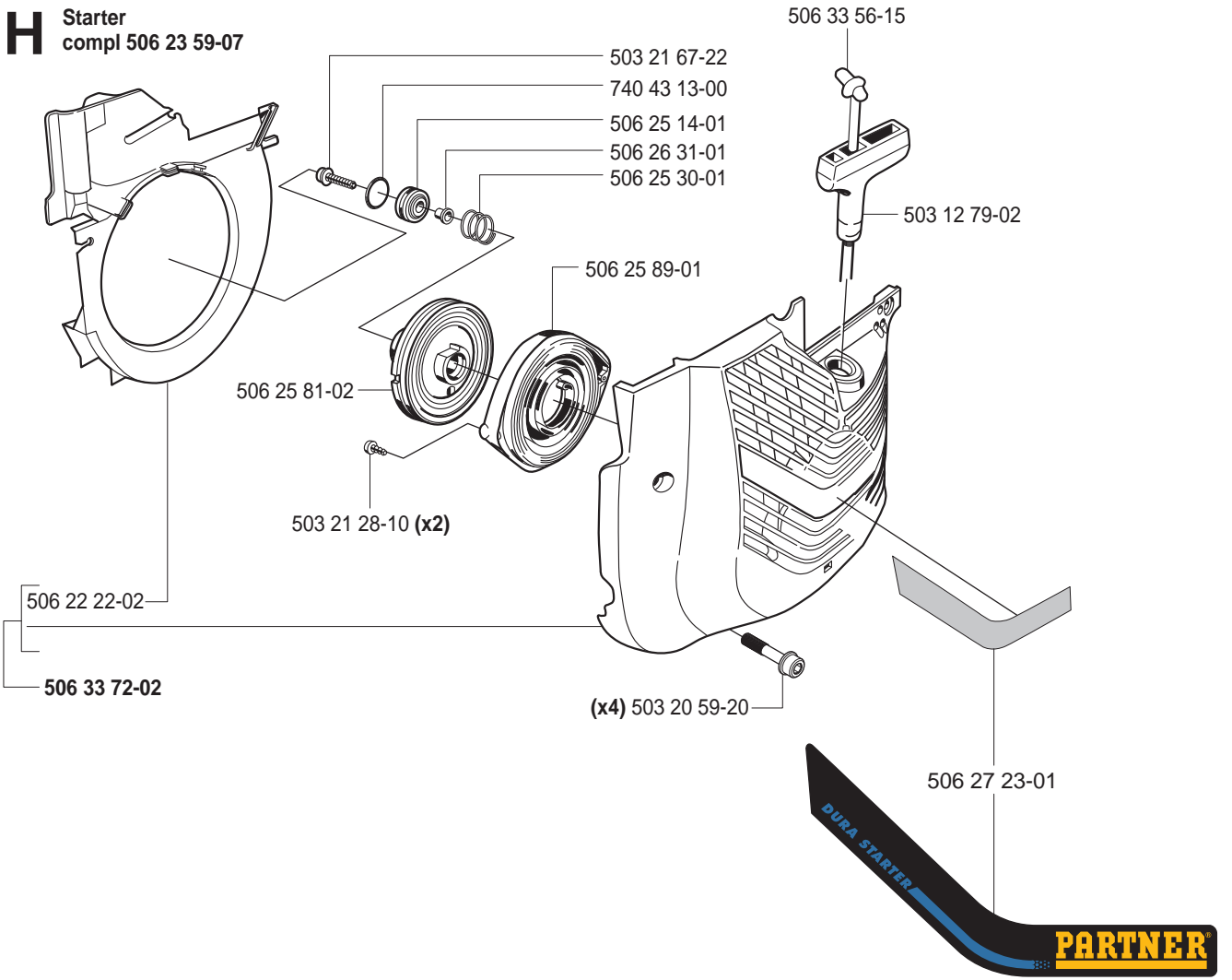
**F** \*compl 503 78 26-74



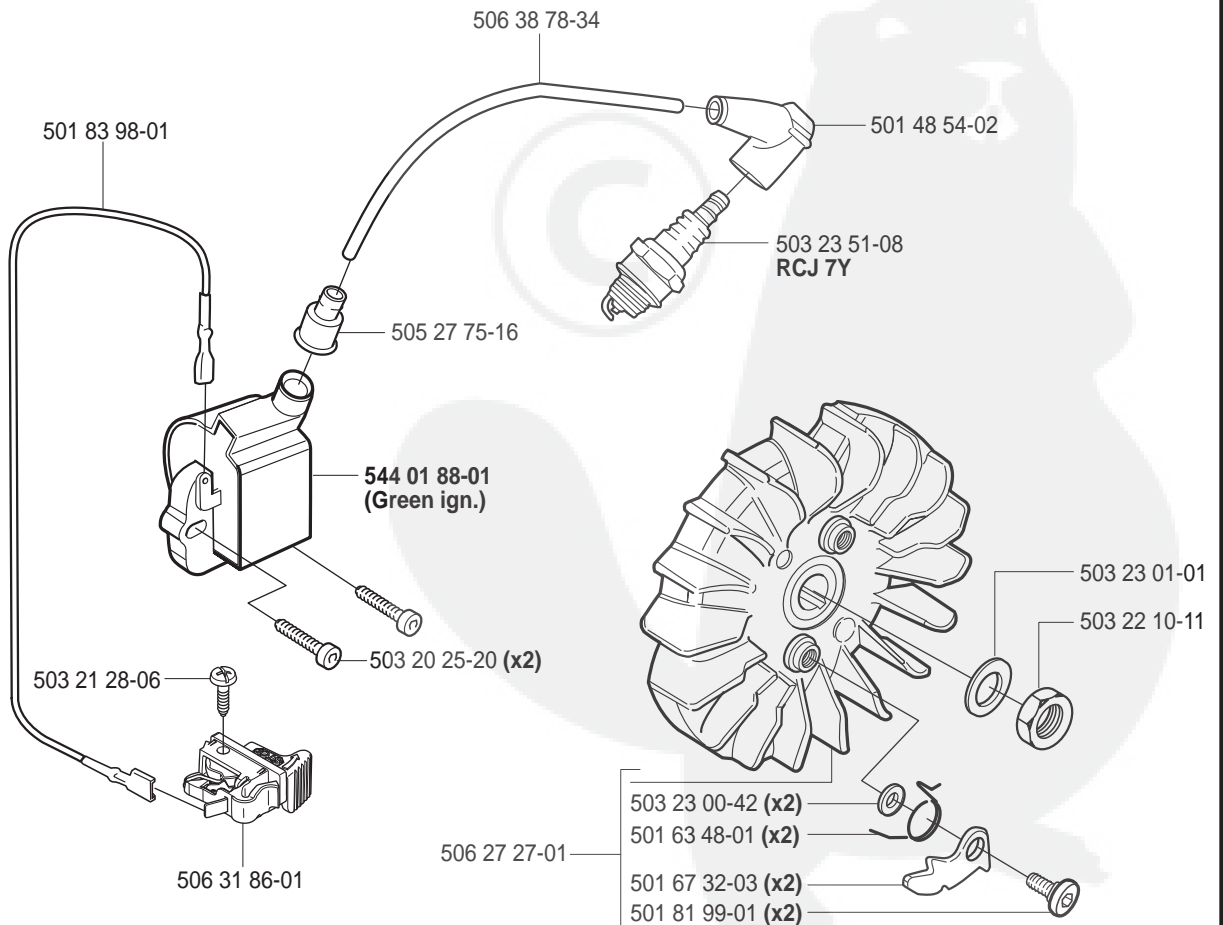
**G**



**H** Starter  
compl 506 23 59-07

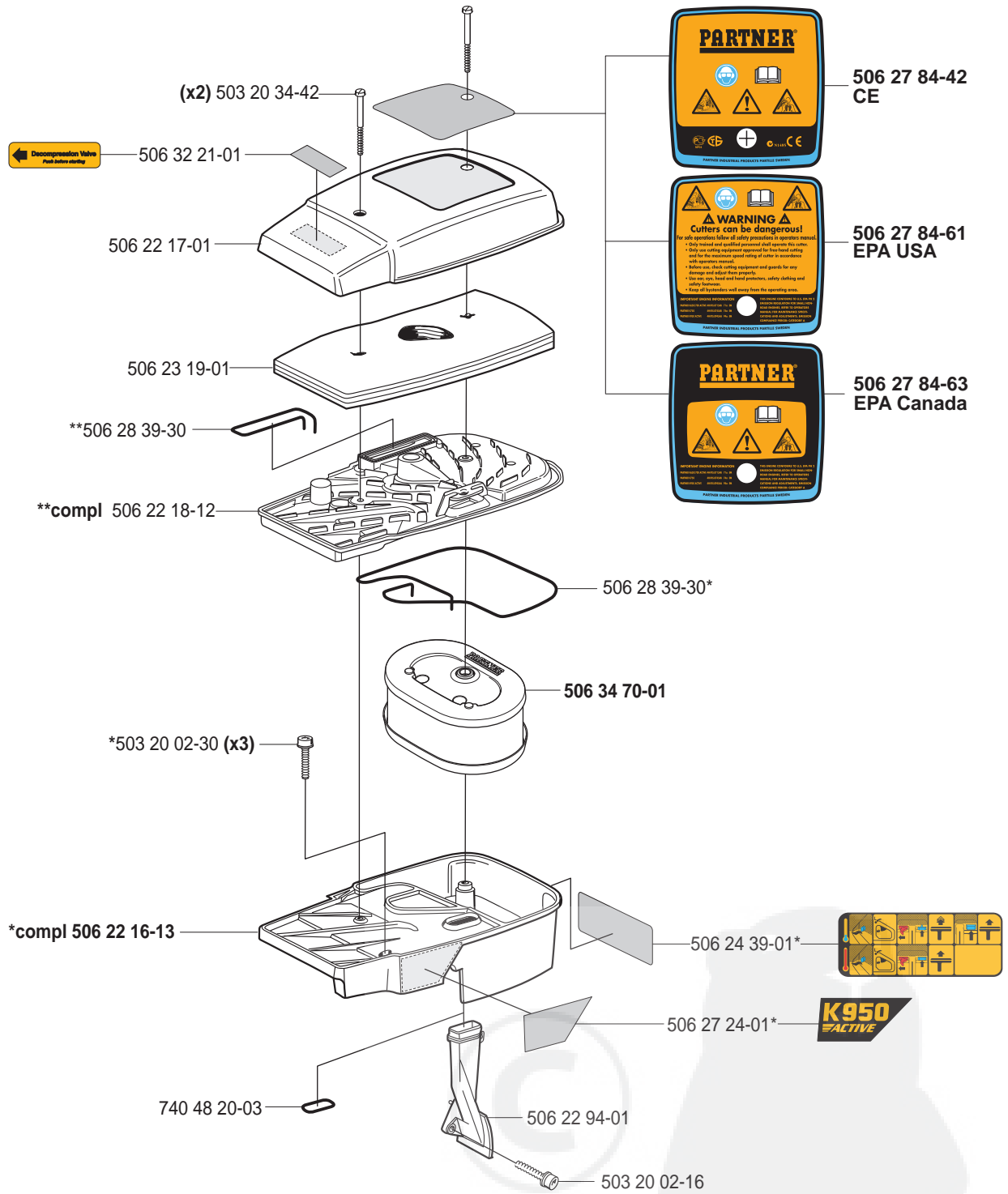


**J**

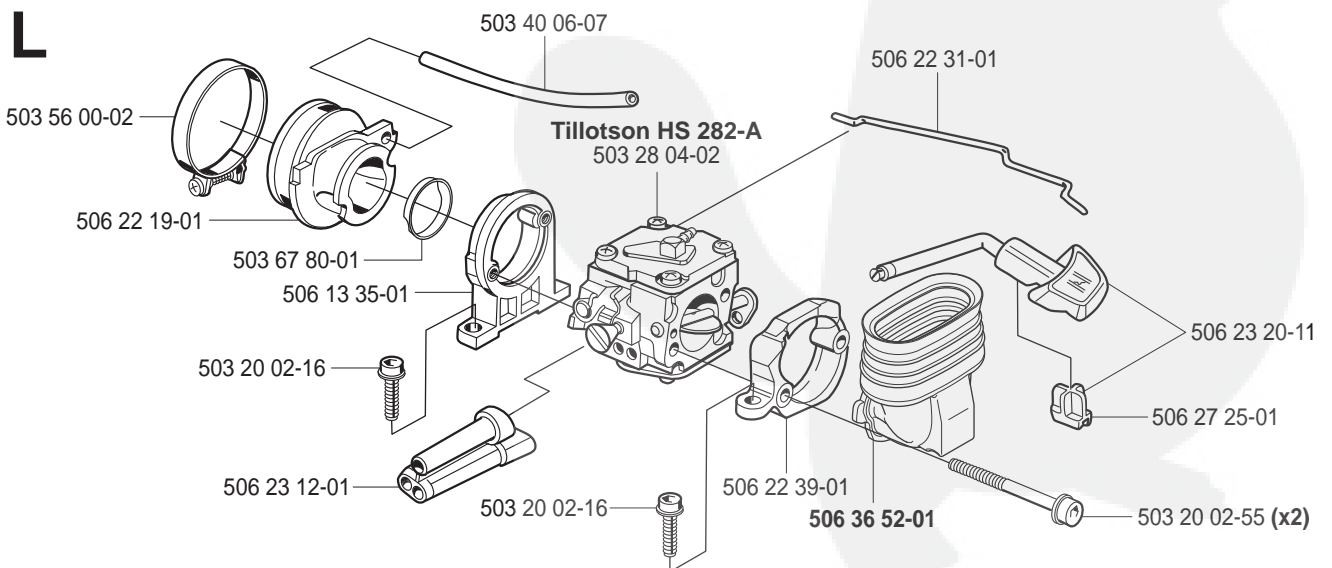




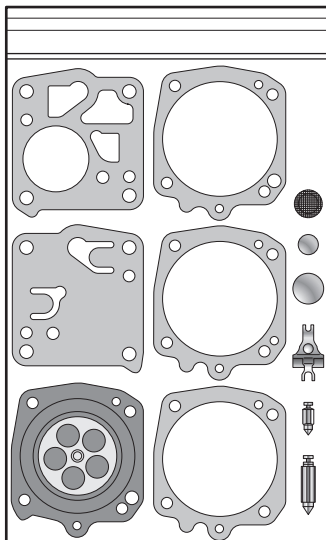
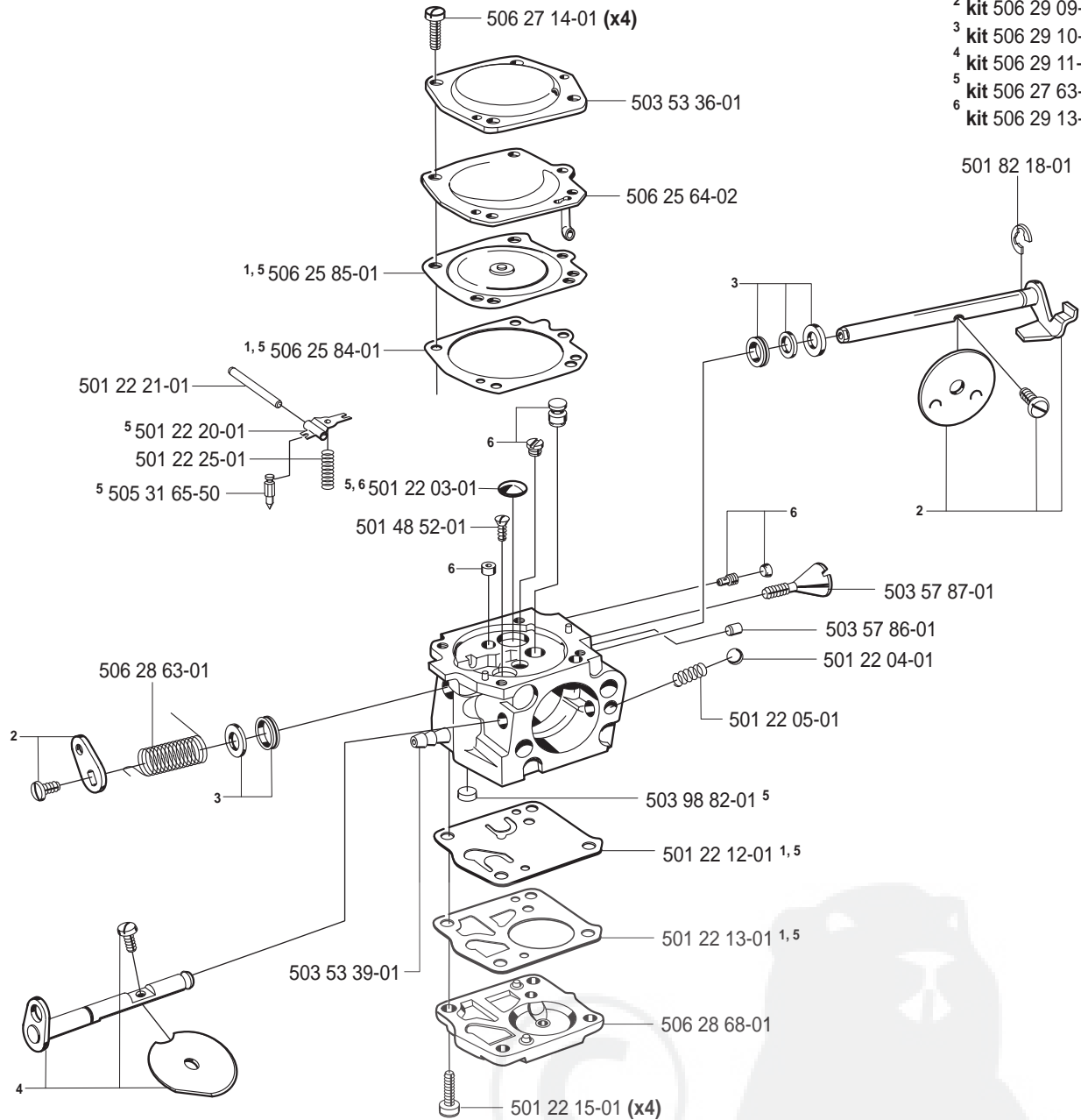
# K



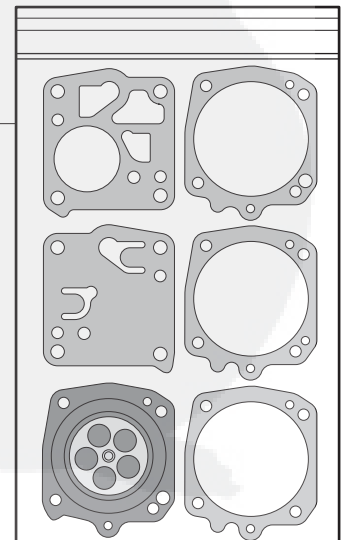
# L



- <sup>1</sup> kit 506 25 88-01
- <sup>2</sup> kit 506 29 09-01
- <sup>3</sup> kit 506 29 10-01
- <sup>4</sup> kit 506 29 11-01
- <sup>5</sup> kit 506 27 63-01
- <sup>6</sup> kit 506 29 13-01

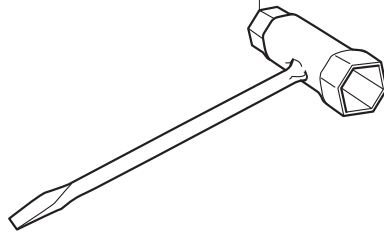


<sup>1</sup> 506 25 88-01  
**Diaphragm and gasket set DG-10-HS**

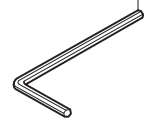


**N** Accessories  
Zubehöre  
Accessoires  
Acessorios  
Tillbehör

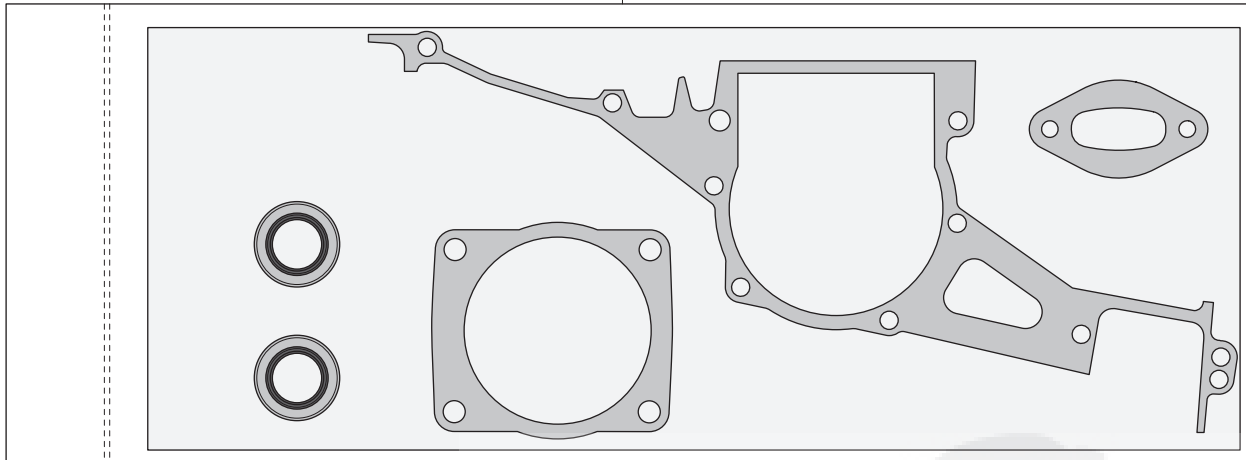
501 69 17-02 (13-19mm)



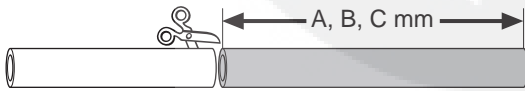
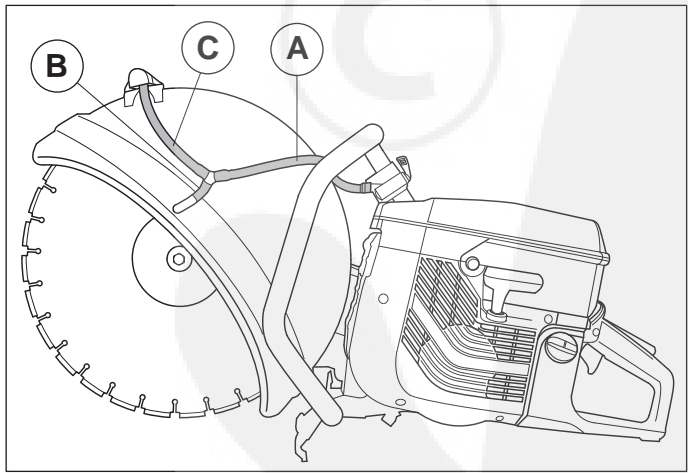
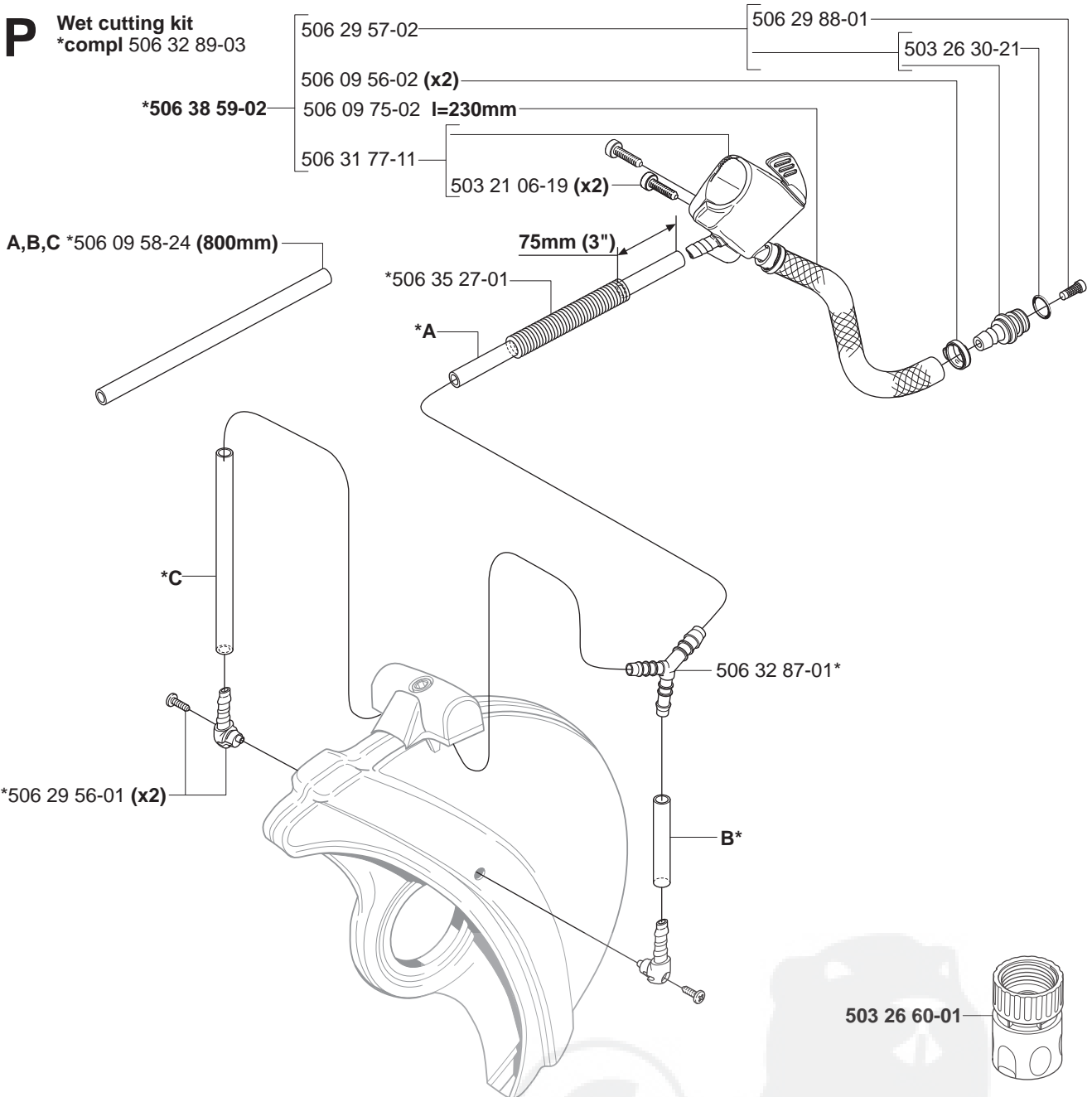
502 21 58-01 (4mm)



506 29 05-04 (10)  
Set of gaskets  
Dichtungssatz  
Jeu de joints  
Juego de juntas  
Packningssats



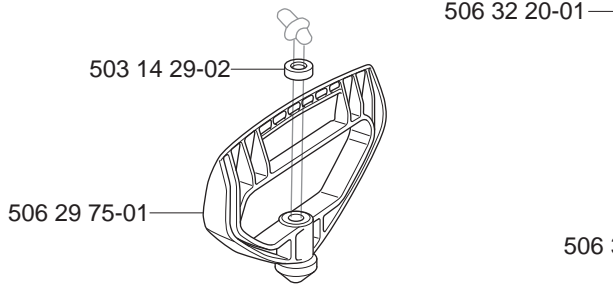
**P** Wet cutting kit  
 \*compl 506 32 89-03



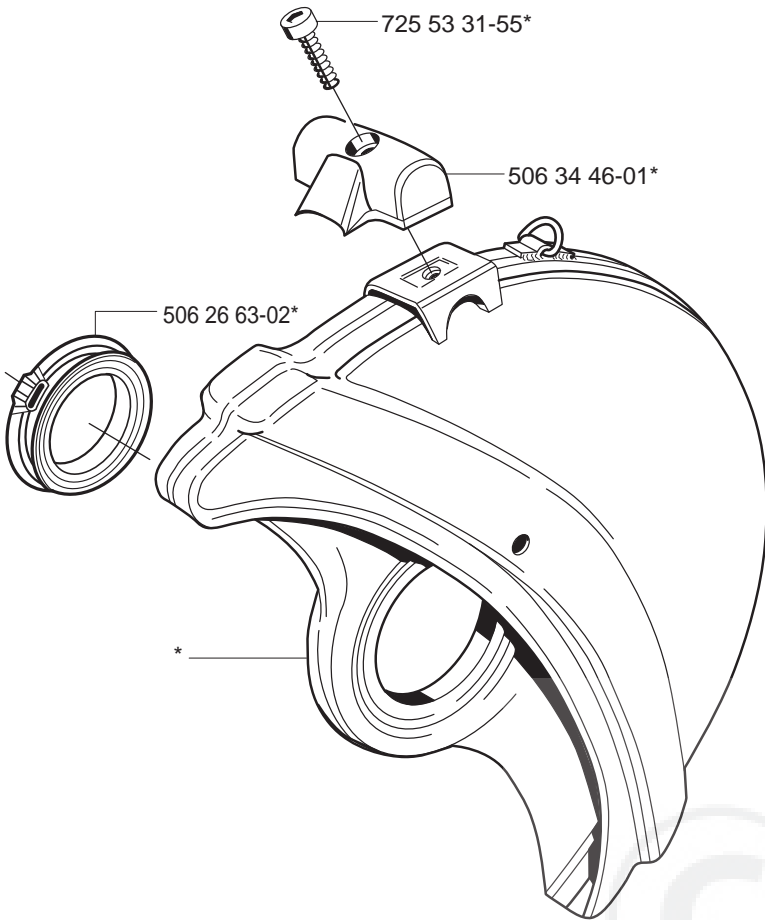
Product		A (mm)	B (mm)	C (mm)
K950A	12"	240	45	240
	14"	240	45	280
	16"	270	45	360

**Q Rescue**  
\*compl 506 34 05-24 (14")

# K12 FD FIRE-RESCUE

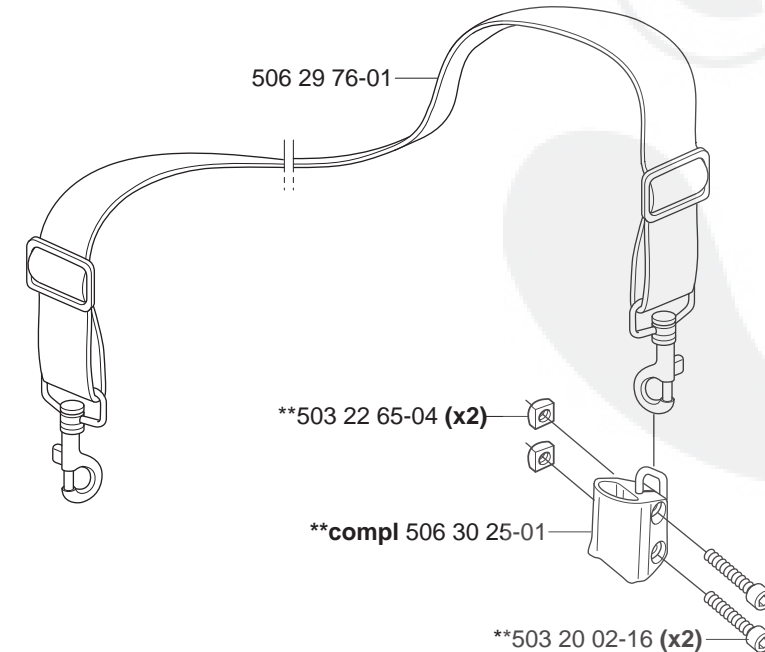


# Rescue



506 30 24-01 — PARTNER K950 Rescue  
Max 5400 rpm  
Ø 25,4(Ø1") - Ø350(Ø14")

506 32 22-01 — **ATTENTION**  
This product has been modified for use by trained fire rescue personnel only.



506 30 40-22 (CE)



506 30 40-31 (EPA USA)



506 30 40-33 (EPA Canada)

