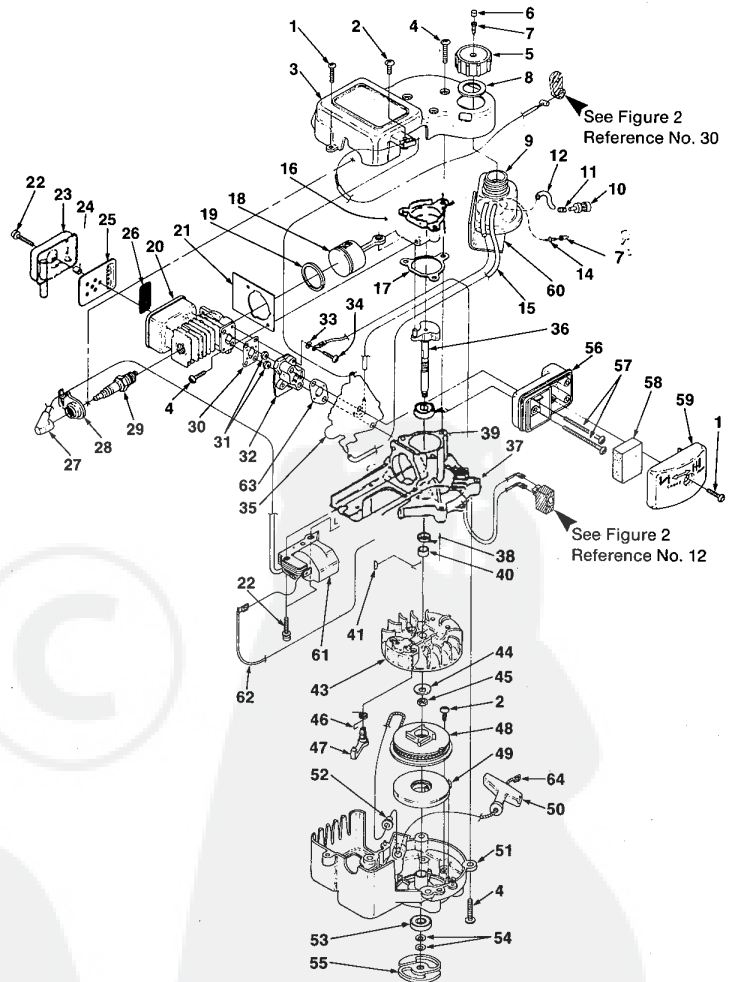




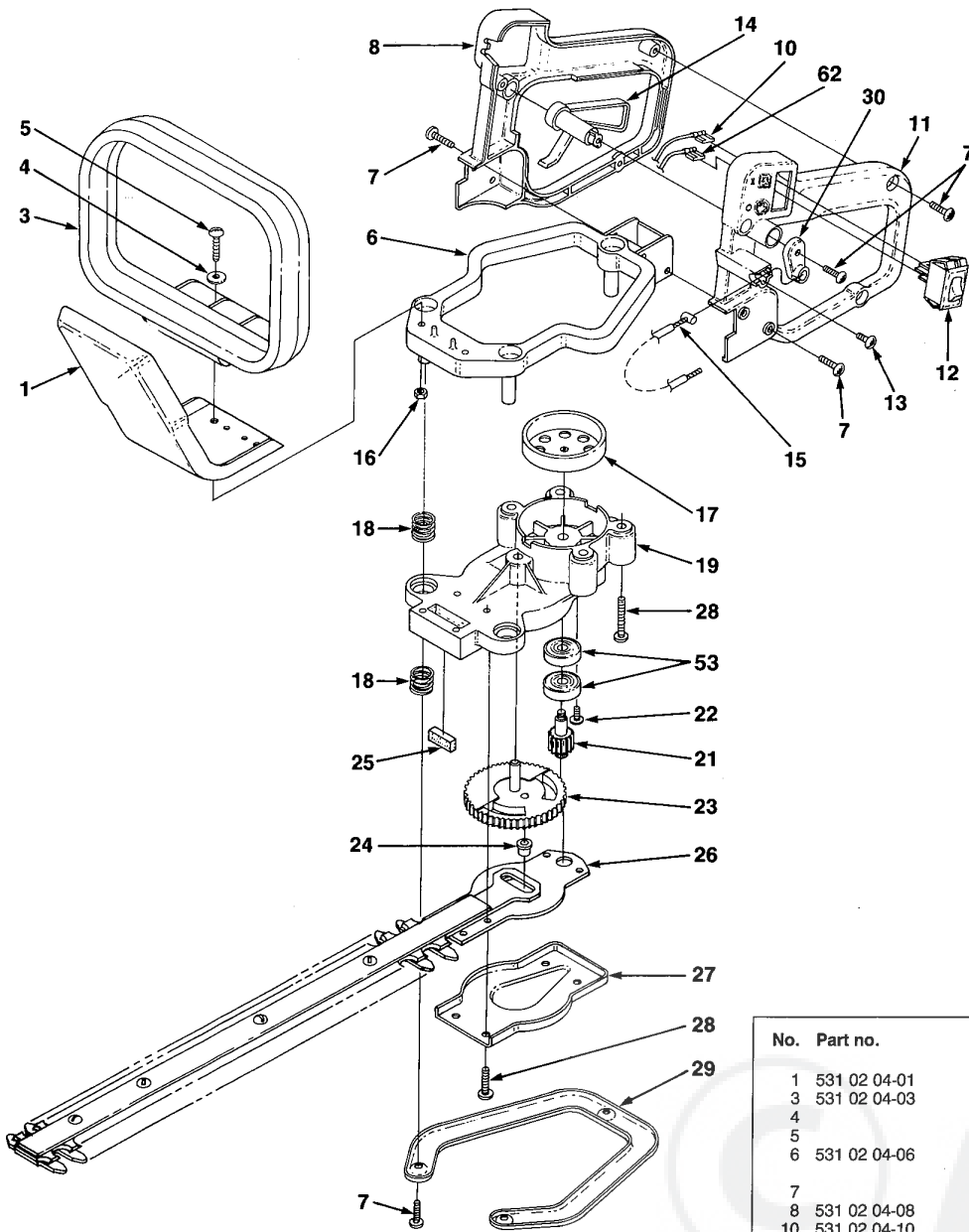
## SPAREPARTS 107 25 74-61

### FIGURE 1

No.	Part no.	Description
1		
2		
3	531 02 03-03	COVER—Crankcase
4		
5	531 02 03-05	CAP—Fuel
		Includes:
6	531 02 03-06	FILTER—Cap
7	531 02 03-07	VALVE—Filter
8	531 02 03-08	GASKET—Fuel Cap
9	531 02 03-09	FUEL TANK ASSEMBLY
		Includes:
10	503 44 32-01	FILTER—Fuel
11	531 02 03-11	CLAMP—Wire
12	531 02 03-12	TUBING—Rubber (3 1/2")
14	531 02 03-14	FITTING
15	531 02 03-15	TUBING—Rubber (5 1/2)
16	531 02 03-16	CRANKCASE Cover
17	531 02 03-17	GASKET—Crankcase
18	531 02 03-18	PISTON & ROD ASSEMBLY
		Includes:
19	531 02 03-19	RING—Piston
20	531 02 03-20	CYLINDER
		Includes:
21	531 02 03-21	GASKET—Cylinder
22		
23	531 02 03-23	COVER—Muffler
24	531 02 03-24	SPACER—Muffler
25	531 02 03-25	BAFFLE—Muffler
26	531 02 03-26	SCREEN—Spark arrestor
27	506 08 25-01	TERMINAL—Hi-Tension
28	531 02 03-28	SHIELD—Spark plug
29	530 03 00-58	SPARK PLUG (DJ7Y)
30	531 02 03-30	GASKET—Heat dam
31		
32	531 02 03-32	HEAT DAM
33		
34		
35	531 02 03-35	CARBURETOR—(Walbro) WT-117
	531 02 03-66	CARBURETOR—(Zama)
36	531 02 03-36	CRANKSHAFT
37	531 02 03-37	BLACK PLATE ASSEMBLY
		Includes:
38	531 02 03-38	SEAL—Crankshaft
39	531 02 03-39	BEARING—Ball
40	531 02 03-40	SPACER
41	531 02 03-41	KEY—Woodruff
43	531 02 03-43	ROTOR
44	531 02 03-44	WASHER—Conical
45		
46	531 02 03-46	SPRING—Torsion
47	531 02 03-47	PAWL—Starter
48	531 02 03-48	PULLEY—Starter
49	531 02 03-49	SPRING & CONTAINER
50	531 02 03-50	GRIP—Starter
51	531 02 03-51	HOUSING—Engine
		Includes:
52	531 02 03-52	BUSHING—Starter
53	531 02 03-53	BEARING—Ball
54	531 02 03-54	WASHER—Belleville
55	531 02 03-55	CLUTCH—(S)
56	531 02 03-56	BOX—Air filter
57		
58	531 02 03-58	FILTER—Air
59	531 02 03-59	COVER—Air filter
60	531 02 03-60	SPACER—Fuel tank
61	531 02 03-61	MODULE
62	531 02 03-62	LEAD—Electrical
63	531 02 03-63	GASKET—Carburetor
64	531 02 03-64	ROPE—Starter
65	531 02 03-65	CYLINDER & MUFFLER
		Includes: 20-26



# FIGURE 2

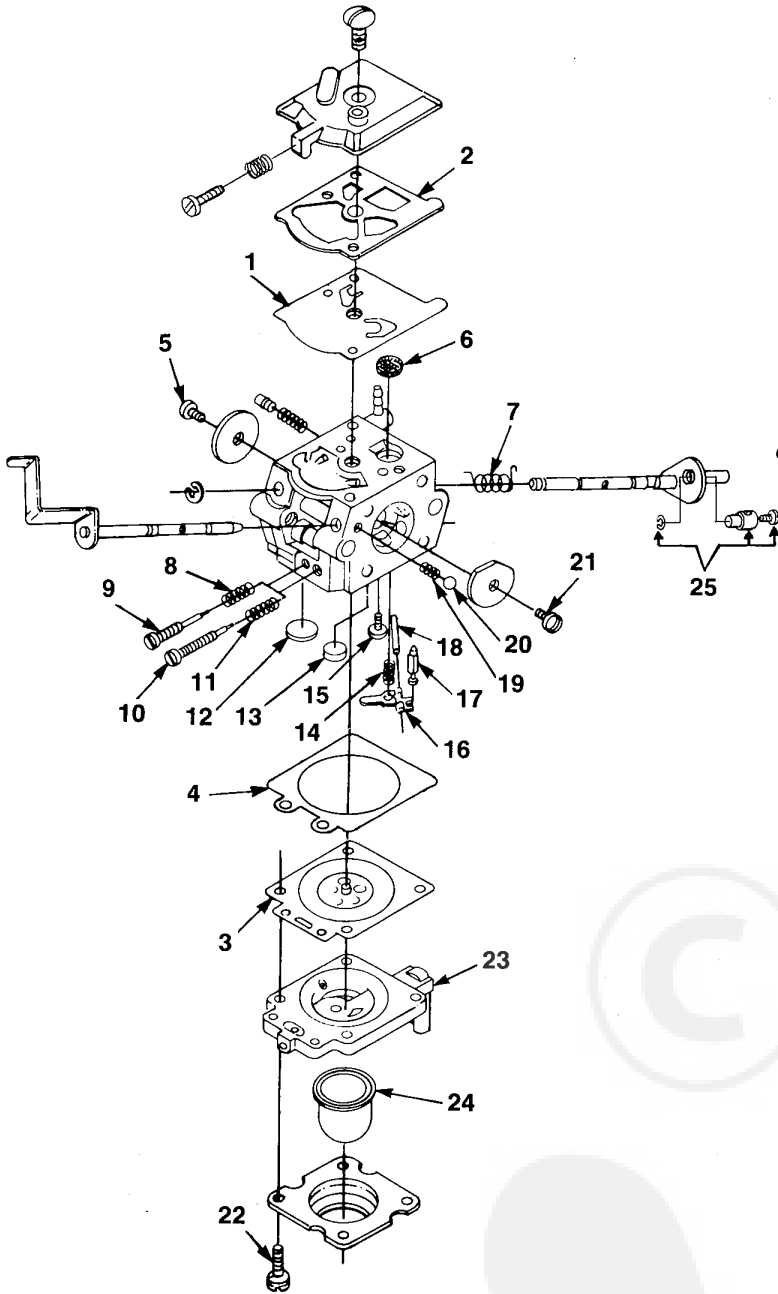


No.	Part no.	Description
1	531 02 04-01	GUARD — Hand
3	531 02 04-03	HANDLE — Front
4		
5		
6	531 02 04-06	BASE — Vibration Isolator
7		
8	531 02 04-08	HANDLE — Rear (right)
10	531 02 04-10	LEAD — Ground
11	531 02 04-11	HANDLE — Rear (left)
12	531 02 04-12	SWITCH
13		
14	531 02 04-14	TRIGGER
15	531 02 04-15	CABLE — Throttle
16		
17	531 02 04-17	DRUM — Clutch
18	531 02 04-18	SPRING — Compression
19	531 02 04-19	GEAR BOX ASSEMBLY Includes: PINION & SCREW ASSEMBLY
21	531 02 04-21	
22		
23	531 02 04-23	GEAR & PIN ASSEMBLY
24	531 02 04-24	BUSHING
25	531 02 04-25	BLADE SEAL
26	531 02 04-26	BLADE ASSEMBLY
27	531 02 04-27	COVER — Gear box
28		
29	531 02 04-29	BRACE
30	531 02 04-30	LEVER — Trigger
62	531 01 03-62	LEAD — Electrical
53	531 02 03-53	BEARING — Ball

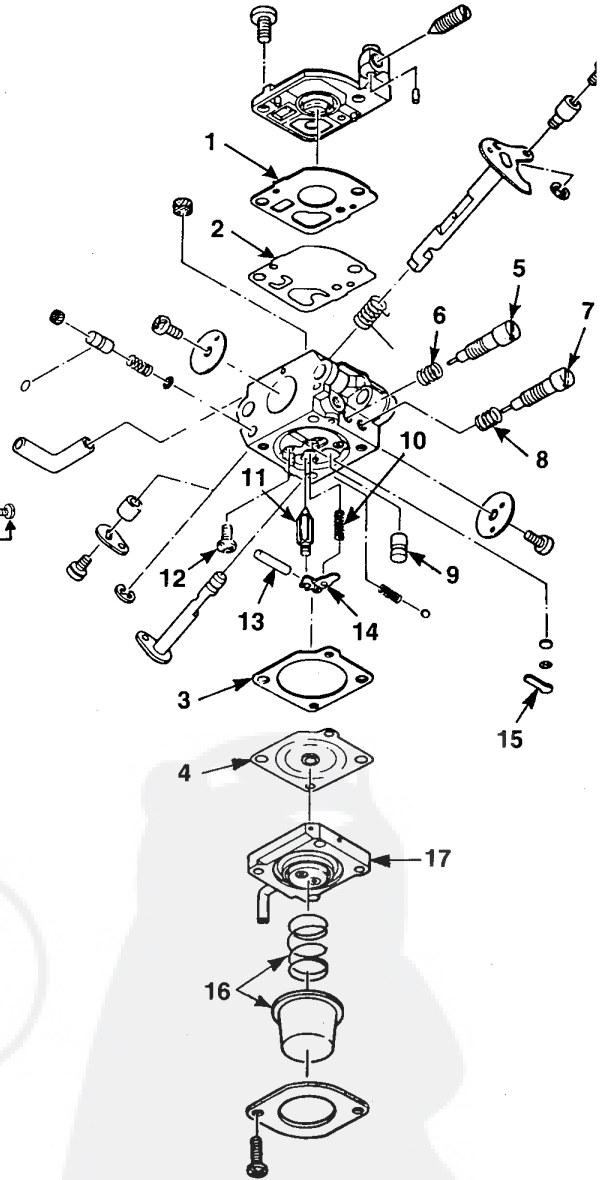
# FIGURE 3

# CARBURETORS

## WALBRO WT-117



## ZAMA CIU-H12



**GASKET KIT** 505 52 01-31 (1-4)  
**REPAIR KIT** 505 52 01-30 (1-22)  
**PRIMER BASE KIT** 531 02 03-69 (23)  
**PRIMER BULB** 531 02 03-70 (24)  
**SWIVEL KIT** 531 02 03-76 (25)

**GASKET/DIAPHRAGM KIT** 531 02 03-72 (1-4)  
**REPAIR KIT** 531 02 03-73 (1-15)  
**PRIMER BULB KIT** 531 02 03-74 (16)  
**PRIMER BASE KIT** 531 02 03-75 (17)