

# **McCULLOCH**®

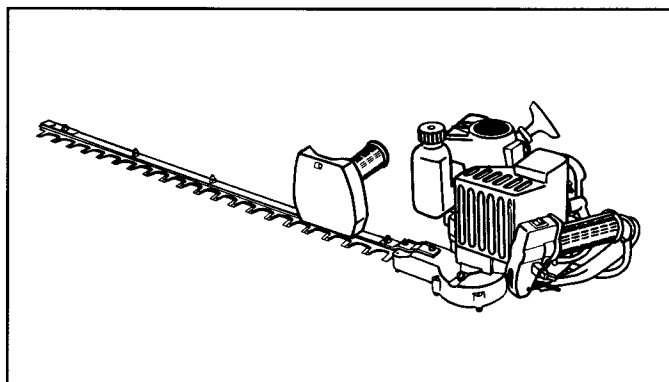
## ***PARTNER***

### ILLUSTRATED PARTS LIST

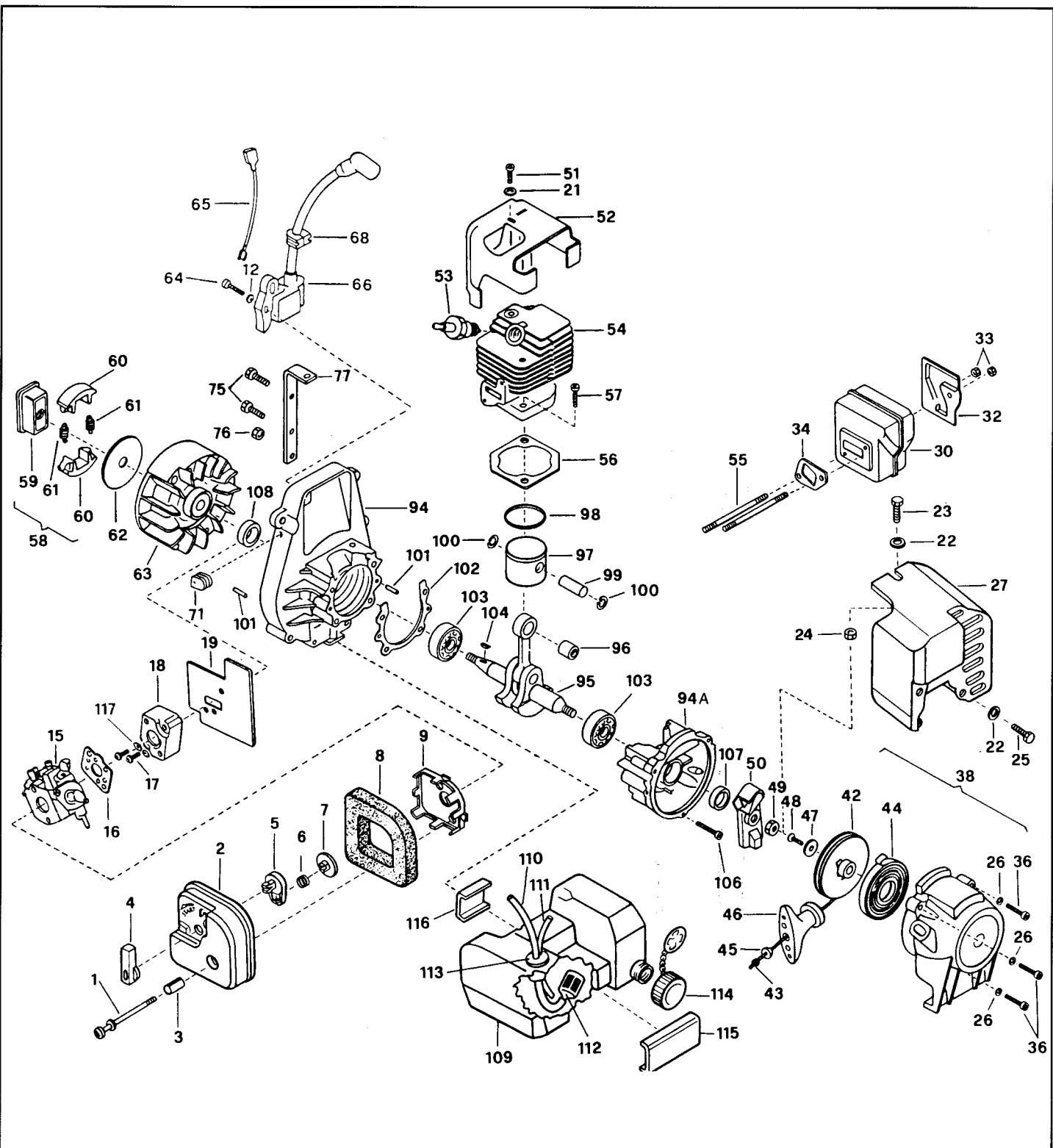
# **HC 60-70 PARTNER PH60**

SERIAL NUMBER PREFIX 04 - 05

**CE**



March 2000



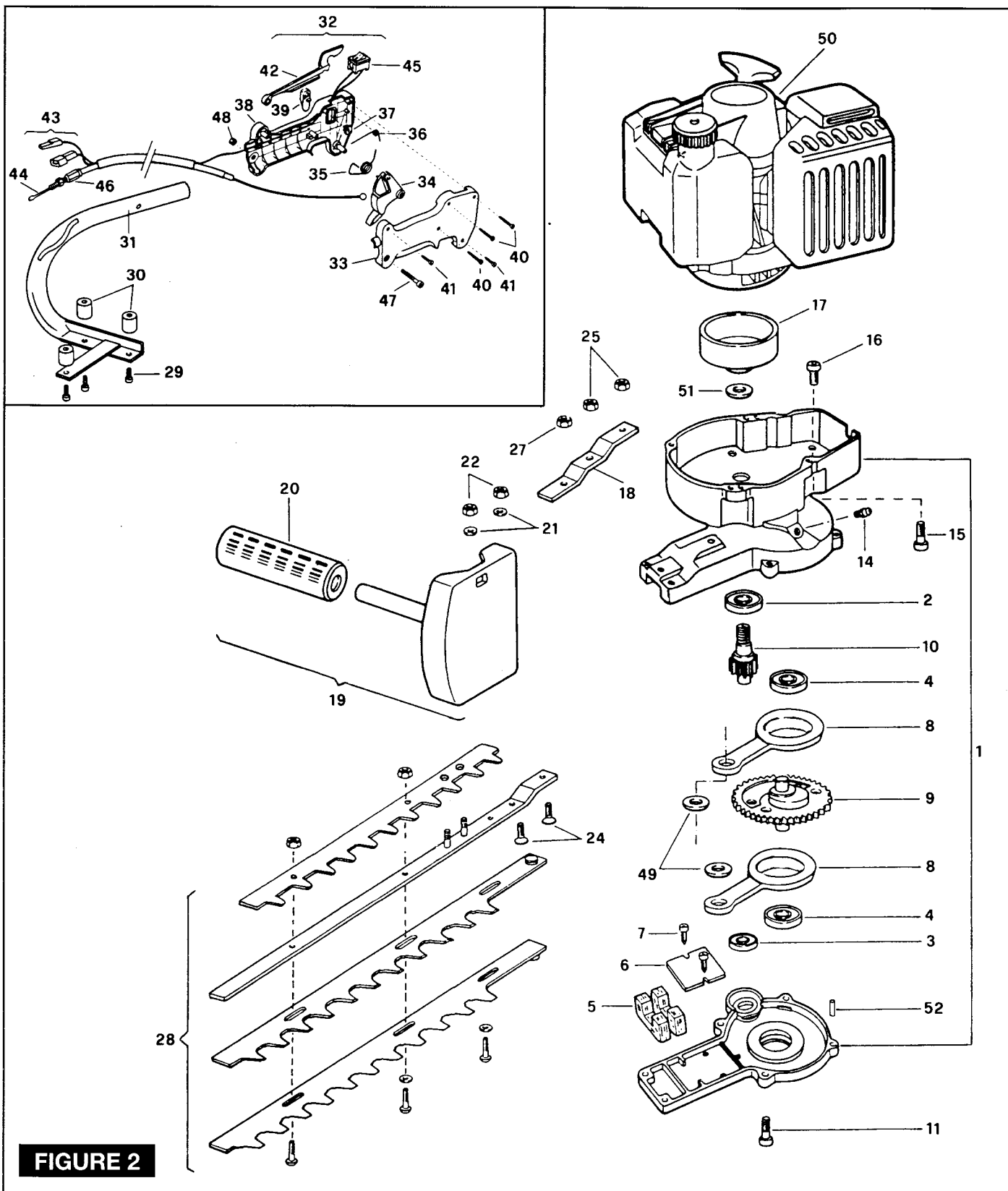
**FIGURE 1**

|   |    |          |       |   |      |           |       |   |        |           |           |        |           |           |       |         |          |           |
|---|----|----------|-------|---|------|-----------|-------|---|--------|-----------|-----------|--------|-----------|-----------|-------|---------|----------|-----------|
| C | 1  | 227274   | M5x60 | 2 | 23   | 228957    | M4x25 | 1 | 48     | ● 300294  | 1         | 64     | 235806    | M5x20     | 2     | 101     | 241597   | 4         |
|   | 2  | 241677   |       | 1 | 24   | 235431    |       | 1 | 49     | 241624    | 1         | 65     | 241606    |           | 1     | 102     | 241595   | 1         |
|   | 3  | 241705   |       | 2 | 25   | 228908    | M4x14 | 1 | 50     | 241784    | 1         | C 66   | 241749    |           | 1     | 103     | 241594   | 2         |
|   | 4  | 235819   |       | 1 | 26   | 235612    |       | 3 | 51     | 236381    | M5x10     | 68     | 236322    |           | 1     | C 104   | 102164   | Prefix 04 |
|   | 5  | 235820   |       | 1 | 27   | 229103    |       | 1 | 52     | 224165    |           | 71     | 241607    |           | 1     | C       | 227631   | Prefix 05 |
|   | 6  | 235822   |       | 1 | C 30 | 301833-01 |       | 1 | A 53   | 92879     |           | 75     | 228957    | M4x25     | 2     | 106     | 235804   | M5x30     |
|   | 7  | 241602   |       | 1 | 32   | 322231    |       | 1 | C 54   | 302000    |           | 76     | 235431    |           | 1     | C 107   | 241596   | 1         |
| B | 8  | 241640   |       | 1 | 33   | 235642    |       | 2 | B 55   | 241804    | 2         | 77     | 228884    |           | 1     | C 108   | 241596   | 1         |
|   | 9  | 241704   |       | 1 | C 34 | 323829    |       | 1 | B 56   | 241598    | 2         | 94     | 241720    |           | 1     | C 109   | 241105   | 1         |
|   | 12 | 235248   |       | 2 | 36   | 228957    | M4x25 | 3 | 57     | 236933    | M6x18     | 94A    | 241748    |           | 1     | B 110   | ● 229132 | 1         |
| C | 15 | FIGURE 4 |       |   | C 38 | 241614    |       | 1 | B 58   | 241792    | 1         | 95     | 241584    | Prefix 04 | 1     | B 111   | ● 227139 | 1         |
| A | 16 | 241600   |       | 1 | B 42 | ● 241620  |       | 1 | 59     | ● 241789  | 1         | 241805 | Prefix 05 | 1         | A 112 | ● 93720 | 1        |           |
|   | 17 | 235806   | M5x20 | 2 | A 43 | ● 241746  |       | 1 | 60     | ● 241790  | 2         | C 96   | ● 235742  |           | 1     | C 113   | ● 235675 | 1         |
| C | 18 | 241750   |       | 1 | B 44 | ● 241619  |       | 1 | A 61   | ● 241794  | 2         | C 97   | 248177    |           | 1     | B 114   | 223508   | 1         |
| B | 19 | 241643   |       | 1 | 45   | ● 235612  |       | 1 | 62     | 241604    |           | B 98   | ● 240002  |           | 1     | 115     | 241611   | 1         |
|   | 21 | 235248   |       | 1 | 46   | ● 216792  |       | 1 | 63     | 222372    | Prefix 04 | 99     | ● 241735  |           | 1     | 116     | 241612   | 1         |
|   | 22 | 235612   |       | 2 | 47   | ● 241703  |       | 1 | 241796 | Prefix 05 | 1         | 100    | ● 235008  |           | 2     | 117     | 235248   | 2         |

A = high moving - alta rotazione - haute demande - große Nachfrage

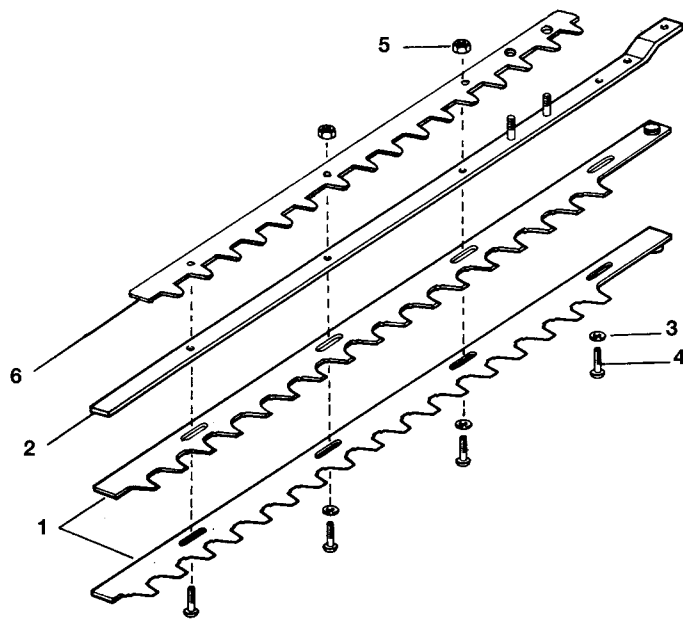
B = medium moving - media rotazione - moyenne demande - mittelmäßige Nachfrage

C = slow moving - bassa rotazione - basse demande - wenige Nachfrage



**FIGURE 2**

|     |          |       |      |           |       |    |          |           |    |          |       |   |
|-----|----------|-------|------|-----------|-------|----|----------|-----------|----|----------|-------|---|
| 1   | 248114   | 1     | C 17 | 301115-03 | 1     | 33 | ● 241293 | 1         | 47 | 235804   | M5x30 | 1 |
| 2   | ● 235897 | 1     | 18   | 241023    | 1     | 34 | ● 241295 | 1         | 48 | 235216   |       | 1 |
| 3   | ● 235914 | 1     | 19   | 229080    | 1     | 35 | ● 240091 | 1         | 49 | 228728   |       | 2 |
| 4   | ● 228958 | 2     | 20   | ● 235895  | 1     | 36 | ● 229973 | 1         | 50 | FIGURE 1 |       |   |
| C 5 | 228921   | 1     | 21   | 236936    | 2     | 37 | ● 229823 | 1         | 51 | 235164   |       | 1 |
| 6   | 228891   | 1     | 22   | 228926    | 2     | 38 | ● 241294 | 1         | 52 | 236365   |       | 2 |
| 7   | 228945   | M3x5  | 24   | 228924    | M5x20 | 39 | ● 229824 | 1         |    |          |       |   |
| C 8 | 241123   | 2     | 25   | 229208    | 2     | 40 | ● 240833 | 3         |    |          |       |   |
| 9   | 228804   | 1     | 27   | 228926    | 1     | 41 | ● 240618 | 2         |    |          |       |   |
| 10  | 228806   | 1     | 28   | FIGURE 3  |       | 42 | ● 229820 | 1         |    |          |       |   |
| 11  | 229077   | M5x18 | 29   | 236512    | M6x8  | 3  | C 43     | ● 240903  | 1  |          |       |   |
| 14  | 228861   | 1     | C 30 | 235987    | M6x8  | 3  | C 44     | ●● 240900 | 1  |          |       |   |
| 15  | 235801   | M4x16 | 31   | 228897    | 1     | 1  | C 45     | ●● 236394 | 1  |          |       |   |
| 16  | 236389   | M6x10 | 32   | 240904    | 1     | 1  | 46       | ●● 229207 | 1  |          |       |   |



### HC 60 - PH60

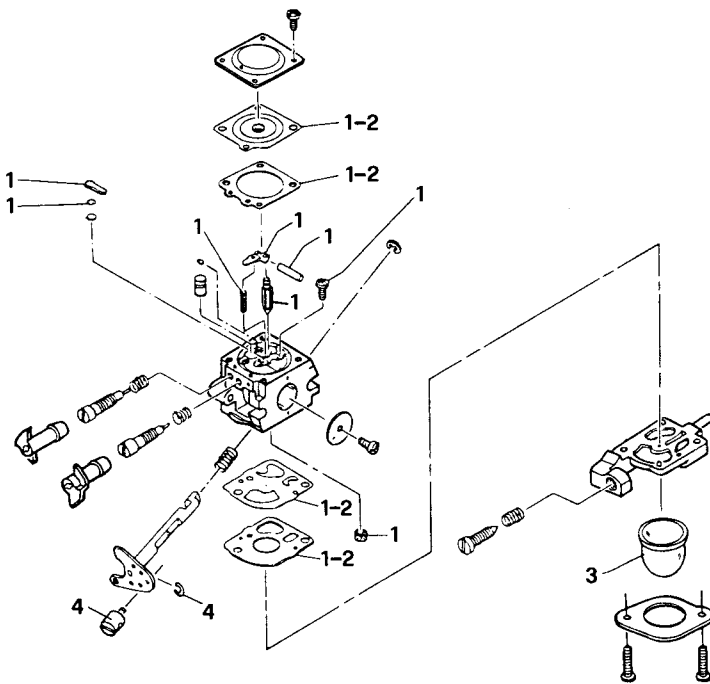
|   |   |              |   |
|---|---|--------------|---|
| C | 1 | 228917       | 1 |
|   | 2 | 228875       | 1 |
| B | 3 | 236934       | 3 |
| B | 4 | 228925 M6x23 | 4 |
| B | 5 | 228926       | 2 |
|   | 6 | 241013       | 1 |

### HC 70

|   |   |              |   |
|---|---|--------------|---|
| C | 1 | 228918       | 1 |
|   | 2 | 228874       | 1 |
| B | 3 | 236934       | 4 |
| B | 4 | 228925 M6x23 | 5 |
| B | 5 | 228926       | 3 |
|   | 6 | 241013       | 1 |

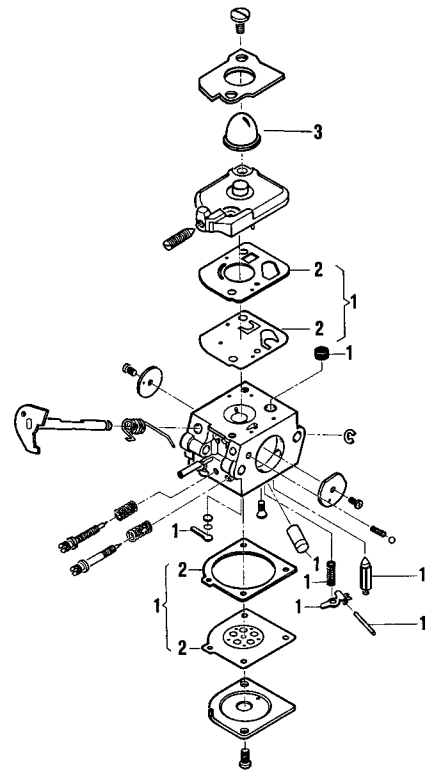
**FIGURE 3**

### WALBRO WT 547



|   |   |           |         |
|---|---|-----------|---------|
| C | - | 241601    | carbur. |
| B | 1 | • 324013  | 1       |
| A | 2 | •• 324009 | 1       |
| C | 3 | • 225834  | 1       |
|   | 4 | • 224466  | 1       |

### ZAMA C1Q M38



|   |   |           |         |
|---|---|-----------|---------|
| C | - | 241824    | carbur. |
| B | 1 | • 300465  | 1       |
| A | 2 | •• 300473 | 1       |
| C | 3 | • 246946  | 1       |

**FIGURE 4**

A = high moving - alta rotazione - haute demande - große Nachfrage  
 B = medium moving - media rotazione - moyenne demande - mittelmäßige Nachfrage  
 C = slow moving - bassa rotazione - basse demande - wenige Nachfrage