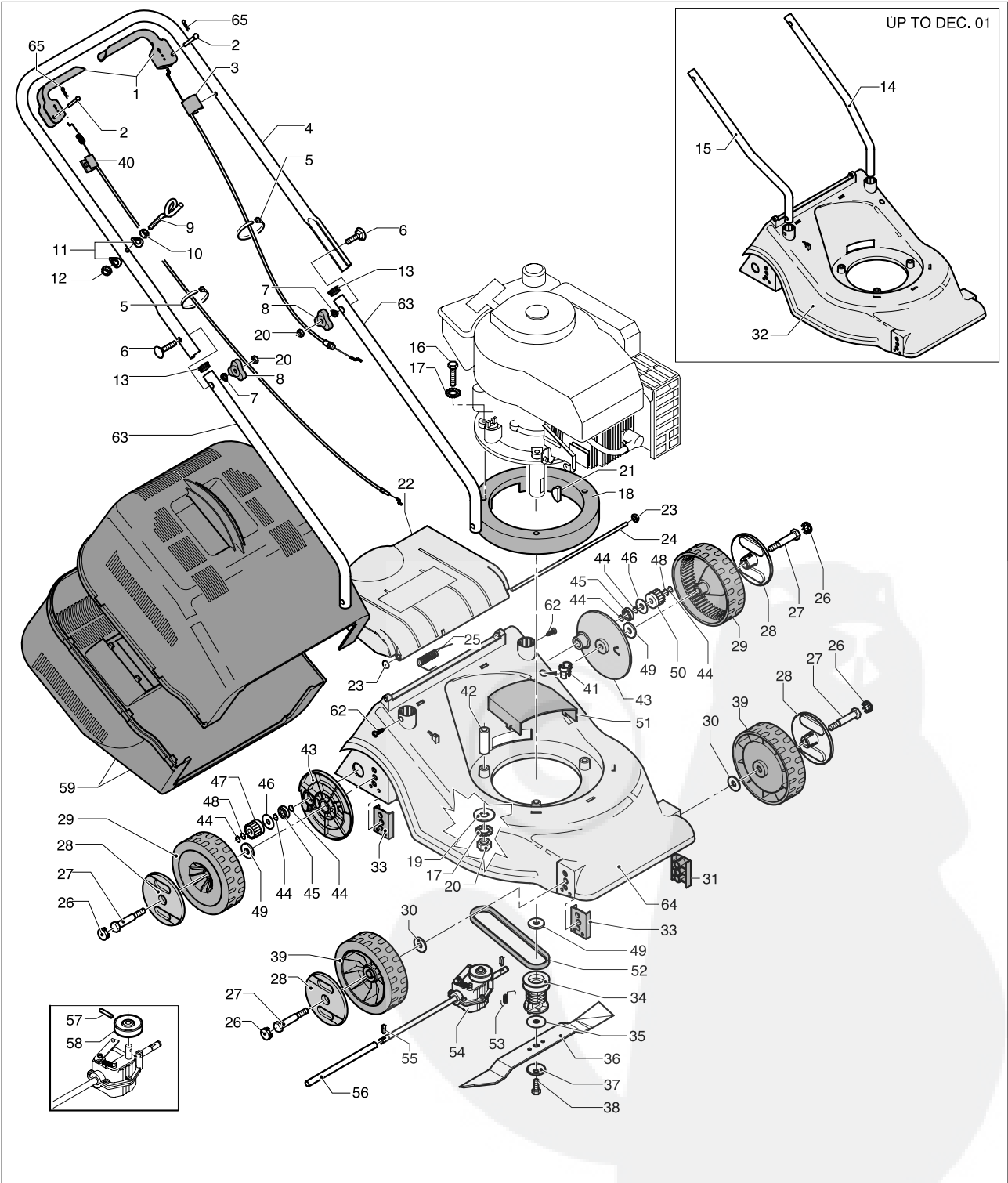


| | |
|-------|----------------------------------|
| brand | McCULLOCH; PARTNER; FLYMO |
|-------|----------------------------------|

| | | |
|------|---------|-----------|
| date | 2002-01 | SHEET 1/2 |
|------|---------|-----------|

| | |
|-------|-----------------|
| Model | LM3540PD |
| | 3540PD |
| | LC400PD |

| | |
|----------------|-------------------------------------|
| Product number | 9538780-03 McCulloch |
| | 9538781-02 Partner |
| | 9538780-04; 9538780-14 Flymo |



| | |
|-------|----------------------------------|
| brand | McCULLOCH; PARTNER; FLYMO |
|-------|----------------------------------|

| | |
|------|---------|
| date | 2002-01 |
|------|---------|

| |
|-----------|
| SHEET 2/2 |
|-----------|

| |
|----------------------------------|
| LM3540PD; 3540PD; LC400PD |
|----------------------------------|

| Pos | PN ELX | PN MEP | Q.ty | Note | Pos | PN ELX | PN MEP | Q.ty | Note |
|-----|--------------|------------|------|---------------------------|-----|--------------|------------|------|-------------------------|
| 1 | 531 20 60-27 | 10 1466 33 | 2 | | 38 | 531 20 66-49 | 10 2809 01 | 1 | TEØ3/8" UNFx65 |
| 2 | 531 20 60-32 | 10 1467 13 | 2 | | 39 | 531 20 64-01 | 10 1650 73 | 2 | Ø 160 |
| 3 | 531 20 64-29 | 10 1652 50 | 1 | TECNAMOTOR mm 1290/135 | 40 | 531 20 64-28 | 10 1652 40 | 1 | mm 1515 |
| 3 | 531 20 64-38 | 10 1653 30 | 1 | B&S mm 985/144,5 | 41 | 531 20 55-57 | 10 1354 13 | 1 | |
| 4 | 531 20 60-69 | 10 1501 23 | 1 | | 42 | 531 20 64-45 | 10 1654 00 | 3 | H.52,5 |
| 5 | 531 20 55-81 | 10 1356 00 | 2 | | 43 | 531 20 64-02 | 10 1650 83 | 2 | |
| 6 | 531 20 70-89 | 10 4024 01 | 2 | TTSQ M8x50 | 44 | 531 20 87-72 | 20 6558 00 | 6 | Ø 12E |
| 7 | 531 20 70-90 | 10 4024 02 | 2 | Ø 8,5 | 45 | 531 20 87-78 | 20 6576 00 | 2 | Ø 12/28/8 6001-2RS |
| 8 | 531 20 49-23 | 10 1143 03 | 2 | | 46 | 531 20 78-47 | 10 8312 00 | 2 | Ø 12/34/0,7 |
| 9 | 531 20 51-69 | 10 1214 70 | 1 | | 47 | 531 20 50-45 | 10 1201 60 | 1 | R/H |
| 10 | 531 20 71-65 | 10 5012 00 | 1 | M6 | 48 | 531 20 88-59 | 20 7613 00 | 2 | Ø 12/17/0,3 |
| 11 | 531 20 49-61 | 10 1159 00 | 2 | Ø 6 | 49 | 531 20 71-22 | 10 4289 00 | 3 | Ø 10/21/2 |
| 12 | 531 20 84-91 | 20 2818 00 | 1 | M6 NYLON | 50 | 531 20 50-46 | 10 1201 70 | 1 | L/H |
| 13 | 531 20 89-50 | 20 8333 03 | 2 | | 51 | 531 20 64-08 | 10 1651 03 | 1 | |
| 14 | 531 20 64-13 | 10 1651 43 | 1 | L/H | 52 | 531 20 63-03 | 10 1602 20 | 1 | Z.29-10xLi730(- 726) |
| 15 | 531 20 64-12 | 10 1651 33 | 1 | R/H | 53 | 531 20 64-27 | 10 1652 30 | 1 | |
| 16 | 531 20 57-68 | 10 1404 20 | 3 | TE M8x90 | 54 | 531 20 64-14 | 10 1651 50 | 1 | |
| 17 | 531 20 79-81 | 20 1062 00 | 6 | Ø 8E | 55 | 531 20 51-08 | 10 1211 60 | 2 | A"S" 5x5x19 |
| 18 | 531 20 73-69 | 10 6005 03 | 1 | | 56 | 531 20 64-39 | 10 1653 43 | 1 | mm.210 |
| 19 | 531 20 49-04 | 10 0663 00 | 3 | Ø 8/24 | 57 | 531 20 64-53 | 10 1654 80 | 1 | Ø 5x35 |
| 20 | 531 20 79-82 | 20 1063 00 | 5 | M8 | 58 | 531 20 64-52 | 10 1654 70 | 1 | |
| 21 | 531 20 49-07 | 10 1009 00 | 1 | 4x6,5 DIN 6888 | 59 | 531 20 63-95 | 10 1650 33 | 2 | |
| 22 | 531 20 63-90 | 10 1650 21 | 1 | YELLOW | 62 | 531 20 79-37 | 10 8780 00 | 2 | TCTC Ø 3,9x16 |
| 22 | 531 21 05-77 | 10 1650 2V | 1 | ORANGE | 63 | 531 21 07-04 | 10 1656 03 | 2 | |
| 23 | 531 20 66-90 | 10 2928 00 | 2 | Ø 6 | 64 | 531 21 11-04 | 10 1656 31 | 1 | YELLOW |
| 24 | 531 20 64-16 | 10 1651 70 | 1 | Ø 6x340 | 64 | 531 21 11-35 | 10 1656 3V | 1 | ORANGE |
| 25 | 531 20 63-99 | 10 1650 50 | 1 | | 65 | 531 20 74-08 | 10 6513 00 | 2 | |
| 26 | 531 20 64-22 | 10 1652 01 | 4 | | | | | | |
| 26 | 531 21 06-98 | 10 1652 0V | 4 | | | | | | |
| 27 | 531 20 79-77 | 20 1016 00 | 4 | | | | | | |
| 28 | 531 20 64-05 | 10 1650 91 | 4 | YELLOW | | | | | |
| 28 | 531 21 06-97 | 10 1650 9V | 4 | ORANGE | | | | | |
| 29 | 531 20 64-00 | 10 1650 63 | 2 | Ø 160 | | | | | |
| 30 | 531 20 79-89 | 20 1130 00 | 2 | Ø 10/30/2,5 | | | | | |
| 31 | 531 20 64-15 | 10 1651 63 | 2 | L/H | | | | | |
| 32 | 531 20 63-83 | 10 1650 11 | 1 | YELLOW | | | | | |
| 32 | 531 21 05-76 | 10 1650 1V | 1 | ORANGE | | | | | |
| 33 | 531 20 64-19 | 10 1651 93 | 2 | R/H | | | | | |
| 34 | 531 20 72-76 | 10 5483 00 | 1 | | | | | | |
| 35 | 531 20 72-43 | 10 5317 00 | 1 | | | | | | |
| 36 | 531 20 62-16 | 10 1580 13 | 1 | cm.40 | | | | | |
| 37 | 531 20 72-37 | 10 5309 00 | 1 | | | | | | |