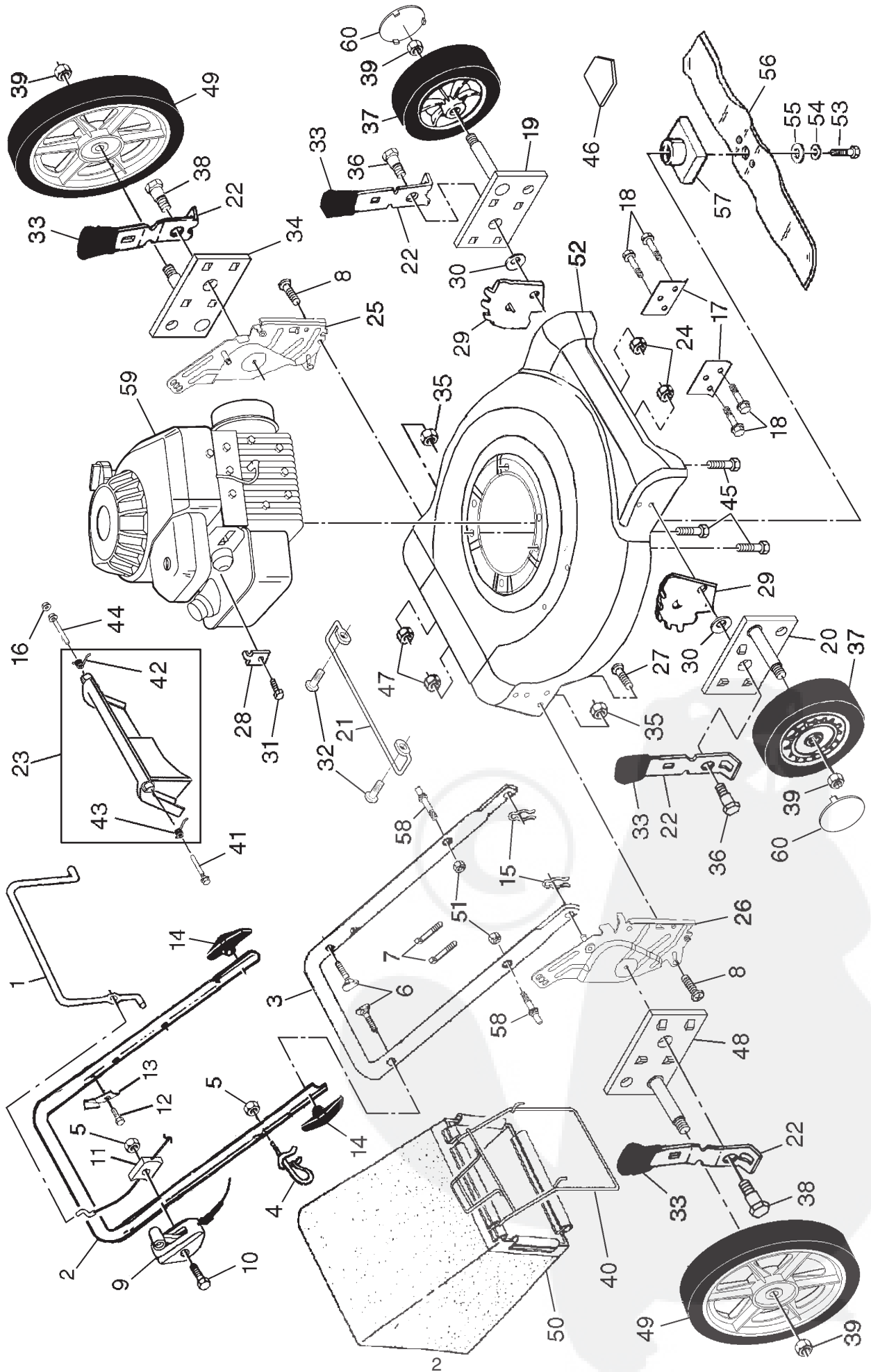


ILLUSTRATED PARTS BREAKDOWN

**PARTNER
4.0 HORSEPOWER
21" REAR-DISCHARGE LAWN MOWER
MODEL NUMBER P4053SB (P4053SBA)
964 77 54-01**



ROTARY LAWN MOWER -- MODEL NUMBER P4053SB (P4053SBA) PRODUCT NUMBER 964 77 54-01



ROTARY LAWN MOWER - - MODEL NUMBER P4053SB (P4053SBA) PRODUCT NUMBER 964 77 54-01

KEY NO.	PART NO.	DESCRIPTION
1	532 18 04-26	Control Bar
2	532 17 76-98	Upper Handle
3	532 16 45-56	Lower Handle
4	532 17 95-85	Rope Guide
5	532 13 20-04	Locknut 1/4-20
6	532 13 19-59	Handle Bolt
7	532 06 64-26	Wire Tie
8	874 78 05-12	Hex Bolt 5/16-18 x 3/4
9	532 17 02-97	Throttle Control
10	532 18 33-65	Screw
11	532 14 92-93	Engine Zone Control Cable
12	532 75 06-34	Hex Washer Head Screw #10-24 x 1/2
13	532 12 51-62	Up-Stop Bracket
14	532 19 13-90	Handle Knob
15	532 05 17-93	Hairpin Cotter
16	532 75 11-52	Nut, Hex, Flangelock 1/4-20
17	532 17 41-12	Support Bracket
18	817 60 04-06	Screw
19	532 18 92-77	Axle Arm Assembly, LF
20	532 18 92-78	Axle Arm Assembly, RF
21	532 16 94-23	Footguard
22	532 16 85-99	Selector Spring
23	532 18 66-12	Kit, Rear Door (Includes Springs)
24	873 93 05-00	Locknut 5/16-18
25	532 18 71-15	Handle Bracket Assembly, LH
26	532 18 71-16	Handle Bracket Assembly, RH
27	532 85 18-56	Screw 1/4-20 x 3/8
28	532 11 11-90	Clamp
29	532 16 57-04	Wheel Adjusting Bracket, Front
30	532 18 39-01	Spacer
31	532 08 38-16	Screw
32	532 05 45-83	Screw
33	532 17 01-43	Selector Knob
34	532 18 36-61	Axle Arm Assembly, LR

KEY NO.	PART NO.	DESCRIPTION
35	532 16 67-85	Locknut 5/16-18
36	532 16 08-28	Shoulder Bolt 5/16-18
37	532 17 02-62	Wheel Assembly
38	532 16 43-62	Shoulder Bolt
39	532 08 39-23	Flanged Locknut
40	532 18 88-13	Frame, Grassbag
41	532 08 86-52	Hinge Screw
42	532 16 57-66	Spring, LH
43	532 16 57-67	Spring, RH
44	532 18 58-19	Rod, Rear Door
45	532 15 04-06	Hex Head Thread Rolling Screw 3/8-16 x 1
46	532 10 73-39	Danger Decal
47	873 80 05-00	Nut, Hex
48	532 18 36-62	Axle Arm Assembly, RR
49	532 18 13-83	Wheel
50	532 19 04-21	Grassbag
51	873 99 05-00	Nut, Hex
52	532 19 03-77	Kit, Lawn Housing Assembly (Includes Key Numbers 17, 18 and 46)
53	532 85 10-84	Hex Head Screw 3/8-24 x 1-3/8 Grade 8
54	532 85 02-63	Helical Lockwasher
55	532 85 10-74	Hardened Washer
56	532 16 58-33	21" Blade
57	532 85 15-14	Blade Adapter
58	532 16 15-51	Adjustment Bolt
59	- - -	Engine, Briggs & Stratton, Model Number 10K902 (Order parts from engine manufacturer)
60	532 07 74-00	Hubcap
--	532 16 23-00	Warning Decal (not shown)
--	532 19 03-74	Operator's Manual, European
--	532 19 03-75	Operator's Manual, Scandinavian

NOTE: All component dimensions given in U.S. inches.
1 inch = 25.4 mm