

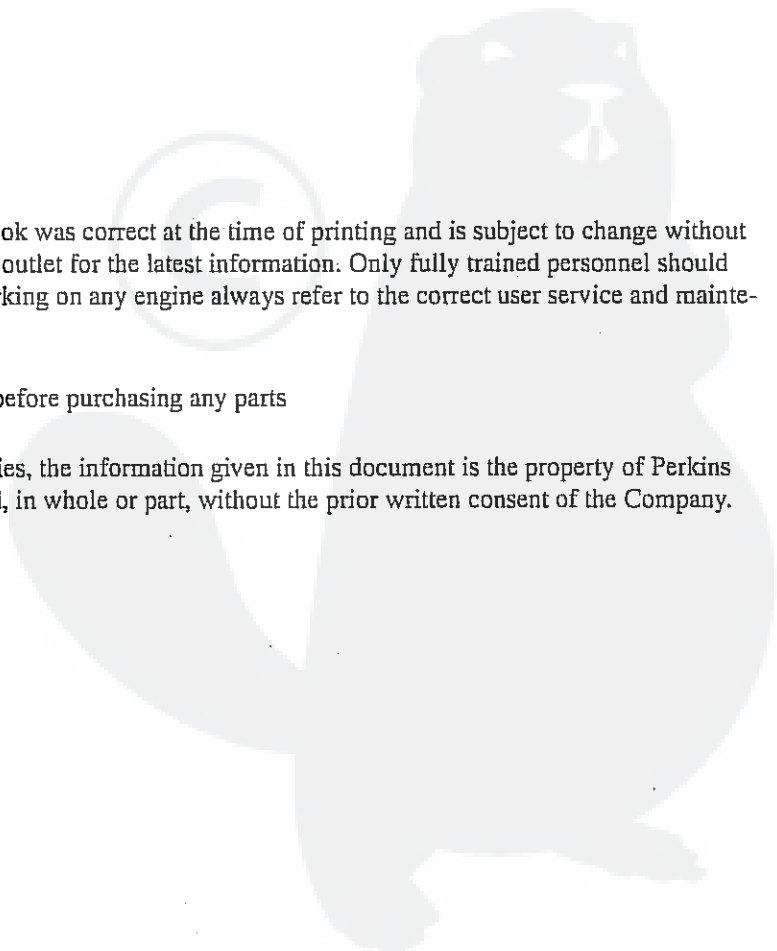
**KE80414**  
**103.15 (A)**

20-09-01-17  
2001/09/21

The information given within this parts book was correct at the time of printing and is subject to change without notice. Always refer to your local Perkins outlet for the latest information. Only fully trained personnel should carry out servicing of engines. Before working on any engine always refer to the correct user service and maintenance manual.

Always refer to your local Perkins outlet before purchasing any parts

Subject to any existing rights of third parties, the information given in this document is the property of Perkins Engines Limited and should not be copied, in whole or part, without the prior written consent of the Company.



Section	Page
Short Engine ACEK6380	9
Cylinder Block ACHK0019	11
Cylinder Head ACHK0019	15
Crankshaft, Pistons & Connecting Rods ACHK0019	17
Timing Gear & Camshaft ACHK0019	21
Lubricating Oil Pump & Delivery Housing ACHK0019	23
Rocker Shaft ACHK0019	25
Timing Gear & Camshaft ACHK0019	27
Fuel Injection Equipment (Diesel) AFHK2083	29
Fuel Injection Equipment (Diesel) AFHK2083	31
Fuel Injection Equipment (Diesel) AFHK2084	33
Fuel Injection Equipment (Diesel) AFHK2084	35
Flywheel Housing CDHK0754	37
Flywheel & Starter Ring DDHK0817	39
Starter Motor EDHK0611	41

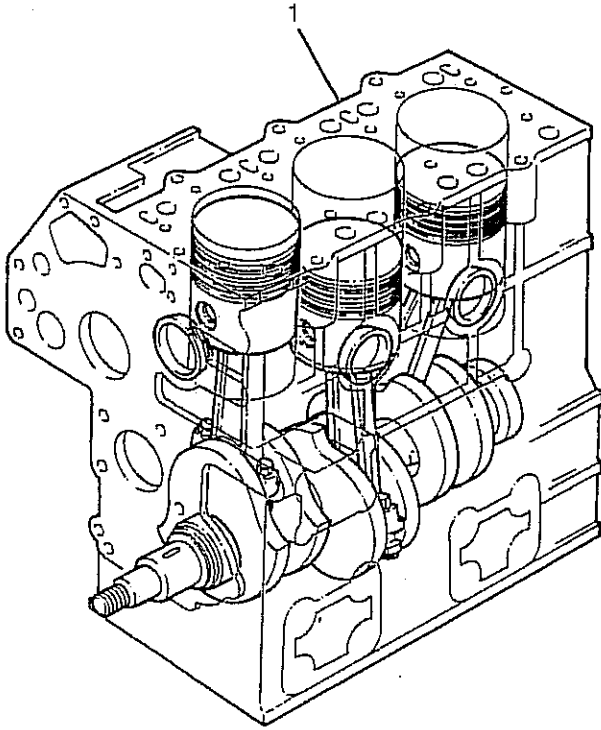
Section	Page
Starter Motor EDHK0611	43
Starter Motor EDHK0611	45
Lubricating Oil Sump GBHK1379	47
Lubricating Oil Sump GBHK1500	49
Lubricating Oil Filler & Breather HBHK1389	51
Lubricating Oil Filter & Integral Oil Cooler JBHK1071	53
Front End Drive Input KBHK0577	55
Water Pump, Thermostat & Heat Exchanger LBHK1439	57
Fan & Extension MDHK0821	59
Fan & Extension MDHK0817	61
Alternator & Generator NDHK1760	63
Alternator & Generator NDHK1760	65
Alternator & Generator NDHK1760	67
Gear Drive Auxiliary Drive Option QDHK0903	69
Gear Drive Auxiliary Drive Option QDHK0897	71

**Engine Breakdown**

<b>Section</b>	<b>Page</b>
Induction Manifold TBHK0555	73
Exhaust Manifold UBHK0347	75
Exhaust Outlet Flange UDHK0404	77
Low Pressure Fuel System VBHK1393	79
Low Pressure Fuel System VBHK1393	81
Low Pressure Fuel System VBHK1408	83
Low Pressure Fuel System VBHK1408	85
Cold Start System WDHK0195	87
Engine Lifting XBHK0308	89
Throttle & Stop Controls ZAHK0519	91
Lub. Oil Pressure Switch & Gauge ZJHK0404	93
Temperature Gauge & Sender ZLHK0180	95
Radiator & Cowling ZMHK0249	97
Tachometer & Hour Recorder ZQHK0529	99
Application Miscellaneous & Auxiliaries ZZHK0386	101

<b>Section</b>	<b>Page</b>
Joints & Gaskets - Complete Service Kit SGBK0013	105

ACEK6380



ACEK6380

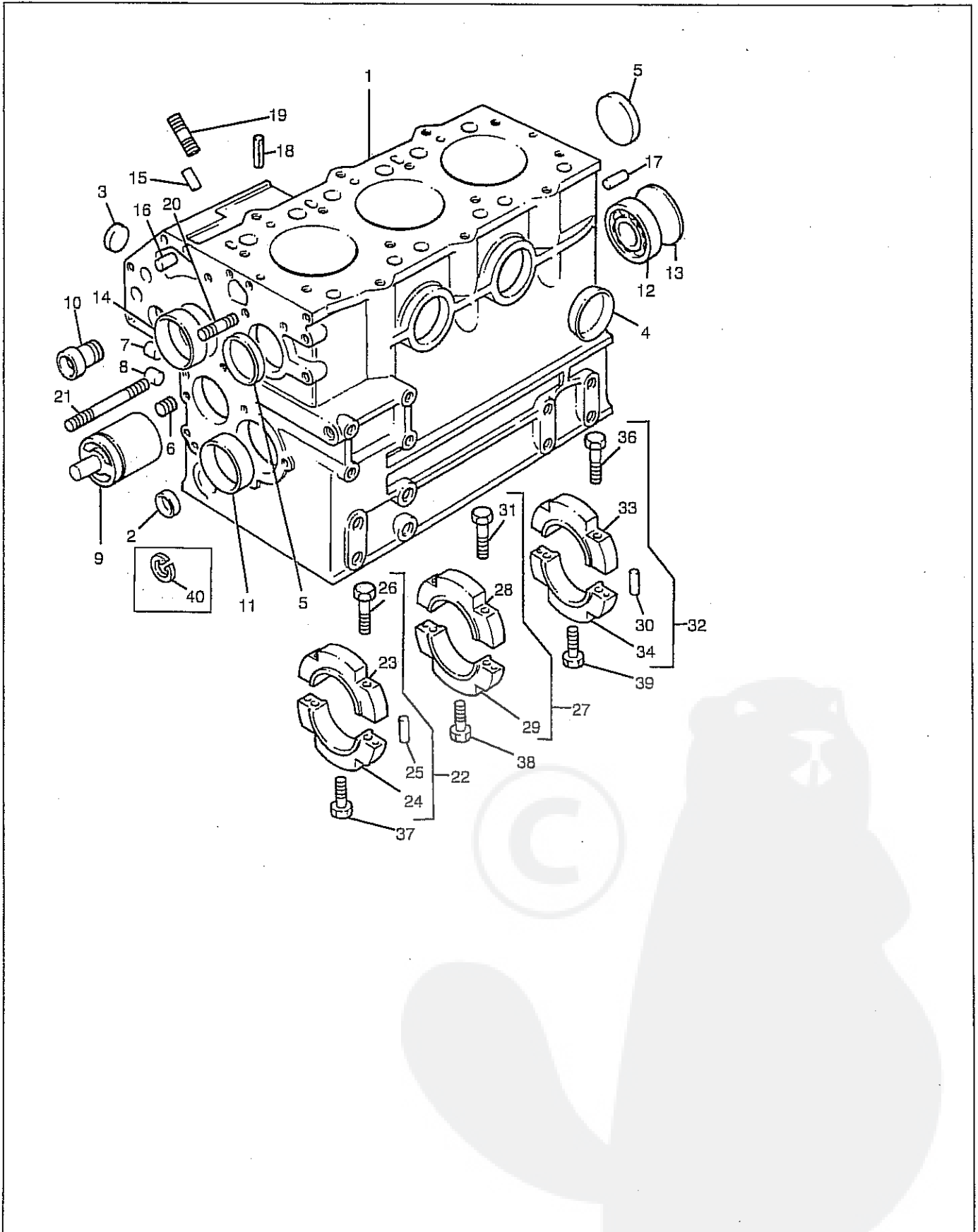
Item	Part No.	References	Qty.	Description	Notes
1	110006380		1	SHORT ENGINE	
2	┌ ├ ├ ├ ├ ├ ├ ├ ├ ├		1	CYLINDER BLOCK	(A)
2			1	CRANKSHAFT	
2			3	PISTON	
2			3	PISTON RING	
2			3	CONROD	
2			6	MAIN BEARING	
2			6	BIG END BEARING	
2			2	THRUST WASHER	

## Footnotes.

(A) COMPLETE WITH PLUGS



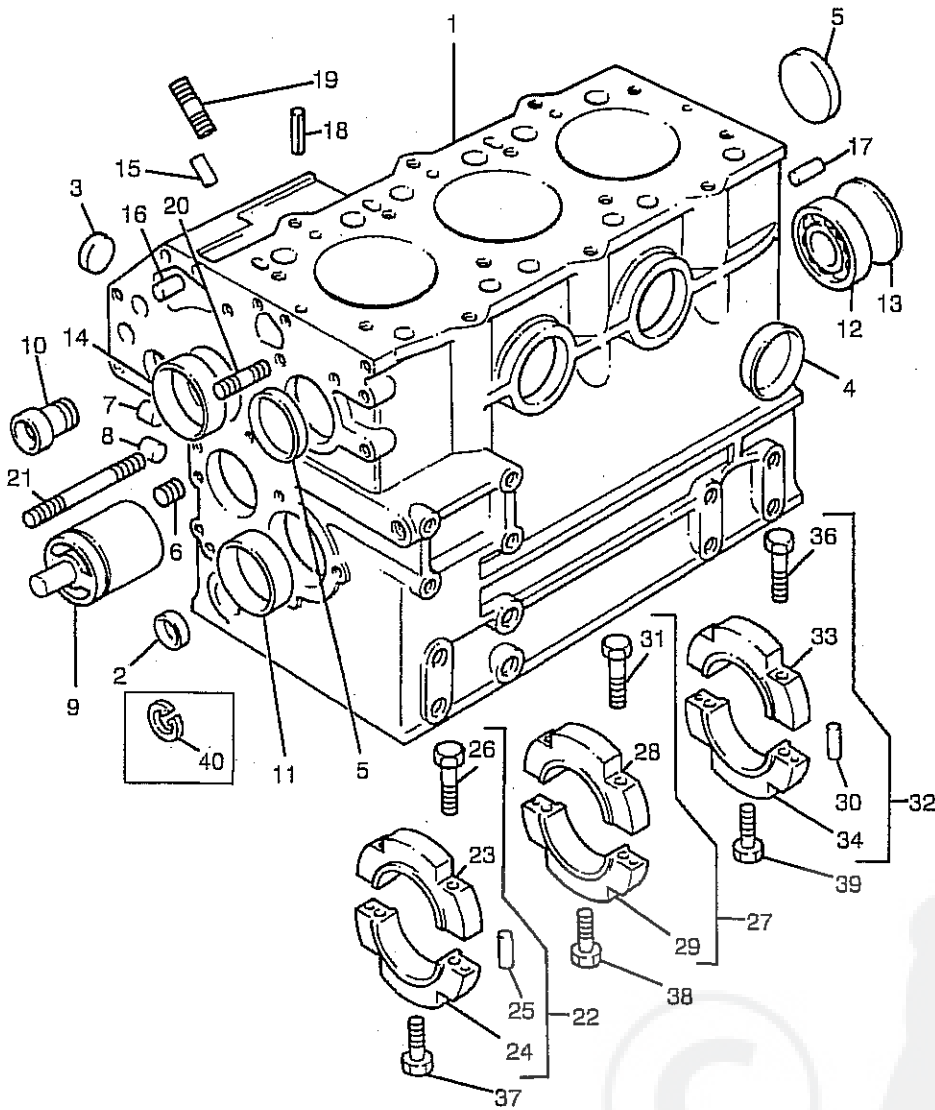
ACHK0019



ACHK0019

Item	Part No.	References	Qty.	Description	Notes
1	110186060	● 110107290	1	CYLINDER BLOCK KIT	
2	—064200015		1	PLUG	
3	—064200025		1	PLUG	
4	—064200040		2	PLUG	
5	—064200040		2	PLUG	
6	—198466020		3	PLUG	
7	—198466030		4	PLUG	
8	—198466010		2	PLUG	
9	—165296130		1	SHAFT	
10	—198517090		1	BUSH	
11	—198517220		1	BUSH	
11	—198517224	$\frac{\nabla}{\triangle} (+)0.25\text{MM}$ $\frac{\nabla}{\triangle} (-)0.25\text{MM}$	X	BUSH	
11	—198517227	$\frac{\nabla}{\triangle} (+)0.50\text{MM}$ $\frac{\nabla}{\triangle} (-)0.50\text{MM}$	X	BUSH	
12	—040106203		1	BALL BEARING	
13	—064100045		1	PLUG	
14	—042309013		1	BEARING	
15	—030500612		2	DOWEL	
16	—030500616		2	DOWEL	
17	—030501025		2	DOWEL	
18	—030309005		2	PIN	
19	—012100820		2	STUD	
20	—012100635		1	STUD	
21	—012100660		1	STUD	
22	—110156171		1	HOLDER	
23	—	⇒ REF.22	1	CAP	
24	—	⇒ REF.22	1	CAP	
25	—030500612		2	DOWEL	
26	—010111055		2	SCREW	
27	—110156181		1	HOLDER	
28	—	⇒ REF.27	1	CAP	
29	—	⇒ REF.27	1	CAP	
30	—030500612		2	DOWEL	
31	—010111055		2	SCREW	
32	—110156191		1	HOLDER	
33	—	⇒ REF.32	1	CAP	
34	—	⇒ REF.32	1	CAP	

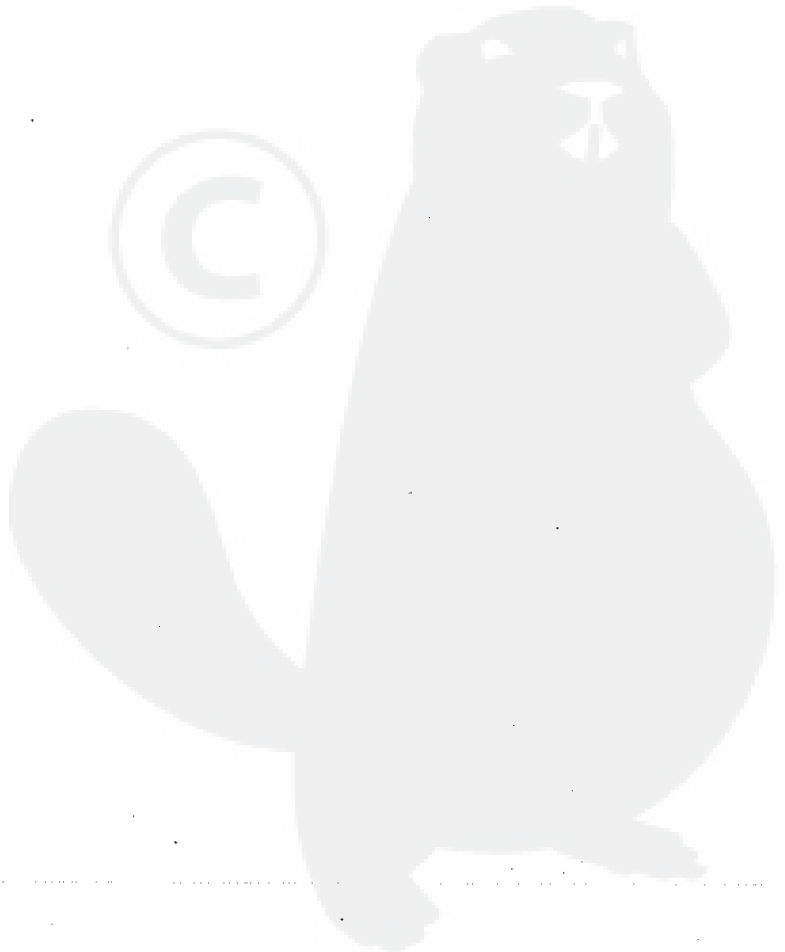
ACHK0019



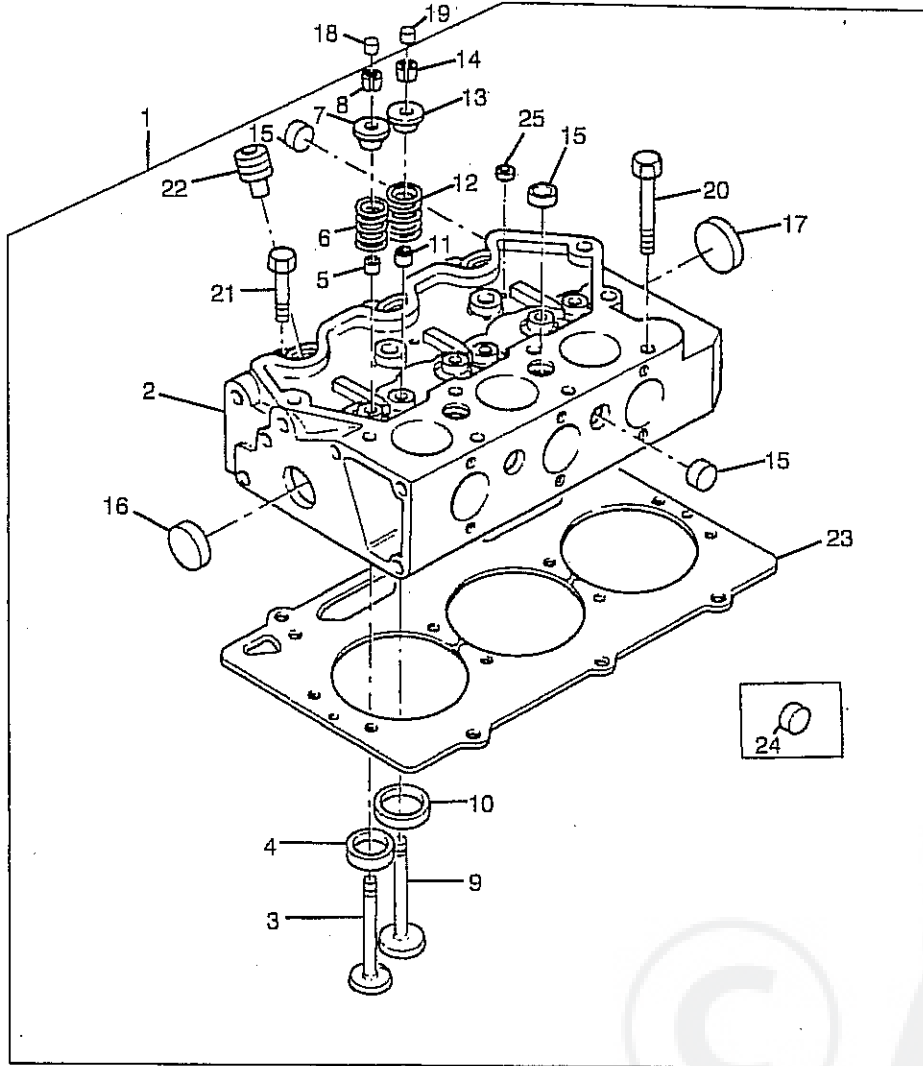


ACHK0019

Item	Part No.	References	Qty.	Description	Notes
35	030500612		2	DOWEL	
36	010111055		2	SCREW	
37	011311070		1	SCREW	
38	011311070		1	SCREW	
39	010700865		2	SCREW	



ACHK0019



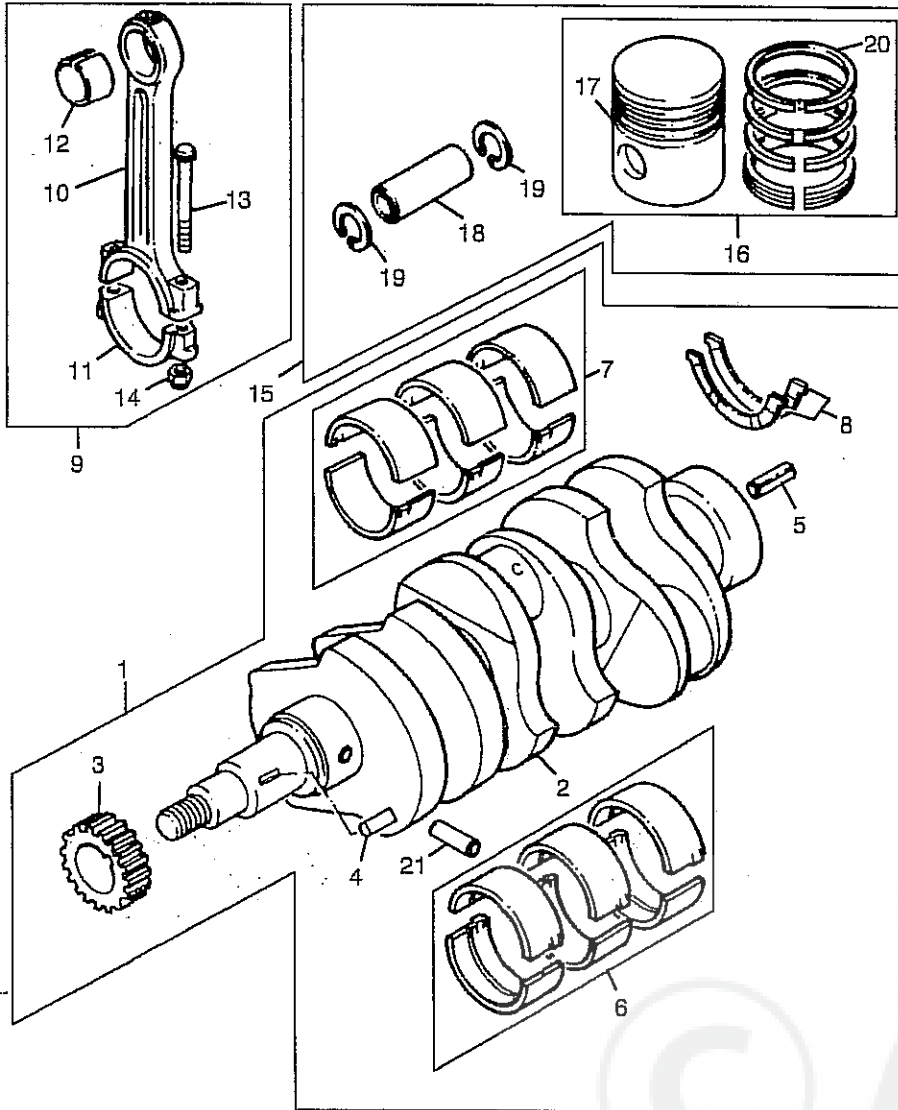
ACHK0019

Item	Part No.	References	Qty.	Description	Notes
1	111017050	☉ 111017070	1	CYLINDER HEAD KIT	(A)
2	— 111017582		1	CYLINDER HEAD KIT	(B)
15	— 064200025		4	PLUG	
16	— 064200030		1	PLUG	
17	— 064200030		1	PLUG	
18	— 120216040		3	CAP	
19	— 120216040		3	CAP	
24	— 064200010		2	PLUG	
25	— 064200020		5	PLUG	
3	— 120166270		3	INLET VALVE	
4	— 110136251	☉ 110136256	3	INSERT	
5	— 120406070		3	VALVE STEM SEAL	(C)
6	— 198216700		3	VALVE SPRING	
7	— 120186080		3	VALVE CAP	
8	— 120226070		6	COTTER	
9	— 120176280		3	EXHAUST VALVE	
11	— 120406050		3	VALVE STEM SEAL	(D)
12	— 198216700		3	VALVE SPRING	
13	— 120186080		3	VALVE CAP	
14	— 120226070		6	COTTER	
20	111136480	☉ 111136360	11	SCREW	(E)
21	111136490	☉ 111136370	3	SCREW	(E)
23	111147500	☉ 111146991 ☉ (+)1.4MM ☉ 111147001	1	CYLINDER HEAD GASKET	(E)

## Footnotes

(A)	MAJOR ASSEMBLY-SEE ITEM 2 FOR MINOR ASSEMBLY
(B)	MINOR ASSEMBLY
(C)	INLET
(D)	EXHAUST
(E)	NOT INCLUDED IN REF.1

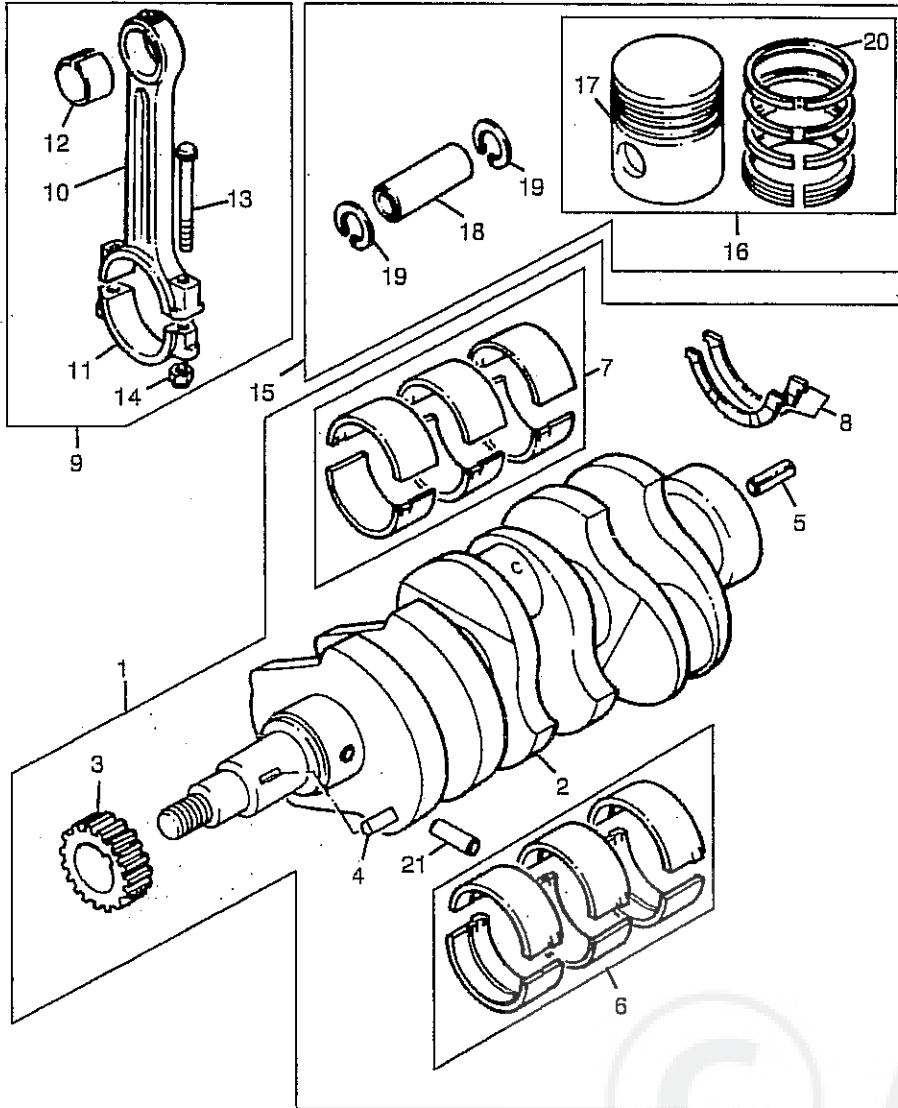
ACHK0019



ACHK0019

Item	Part No.	References	Qty.	Description	Notes
1	115236040		1	CRANKSHAFT KIT	
2		⇒ REF.1	1	CRANKSHAFT	
3	115276200		1	CRANKSHAFT GEAR	
4	030509020		1	KEY	
5	030300816		1	PIN	
6	198586050		1	BEARING KIT	(A) STD.
6	198586054	▽ (-)0.25MM	X	BEARING KIT	(A)
6	198586057	▽ (-)0.50MM	X	BEARING KIT	(A)
7	198586080		1	BEARING KIT	(A) STD.
7	198586084	▽ (-)0.25MM	X	BEARING KIT	(A)
7	198586087	▽ (-)0.50MM	X	BEARING KIT	(A)
8	199266200		2	THRUST WASHER	
9	115026251	● 115026250	3	CONROD KIT	
10		⇒ REF.9	1	ROD	
11		⇒ REF.9	1	CAP	
12	198517265	● 198517260	1	BUSH	
13	115176140		2	CON ROD BOLT	
14	020109120	● 020109087	2	CON ROD NUT	
15	115016800		3	PISTON KIT	STD.
15	115016804	▽ (+)0.5MM ● 115016724	X	PISTON KIT	
15	115016807	▽ (+)1.0MM	X	PISTON KIT	
16	115016810	● 115016720	3	PISTON AND RING KIT	STD.
16	115016814	● S ▽ (+)0.5MM ● 115016724	1	PISTON AND RING KIT	
16	115016817	● S ▽ (+)1.0MM ● 115016727	1	PISTON AND RING KIT	
17		⇒ REF.16	1	PISTON	
20	115107290	● 115107230	1	PISTON RING KIT	STD.
20	115107293	● S ▽ (+)0.50MM ● 115107233	1	PISTON RING KIT	
20	115107295	● S ▽ (+)0.5MM ▽ (+)1.0MM ● 115107235	1	PISTON RING KIT	
18	115326220		1	GUDGEON PIN	
19	036500028		2	CIRCLIP	

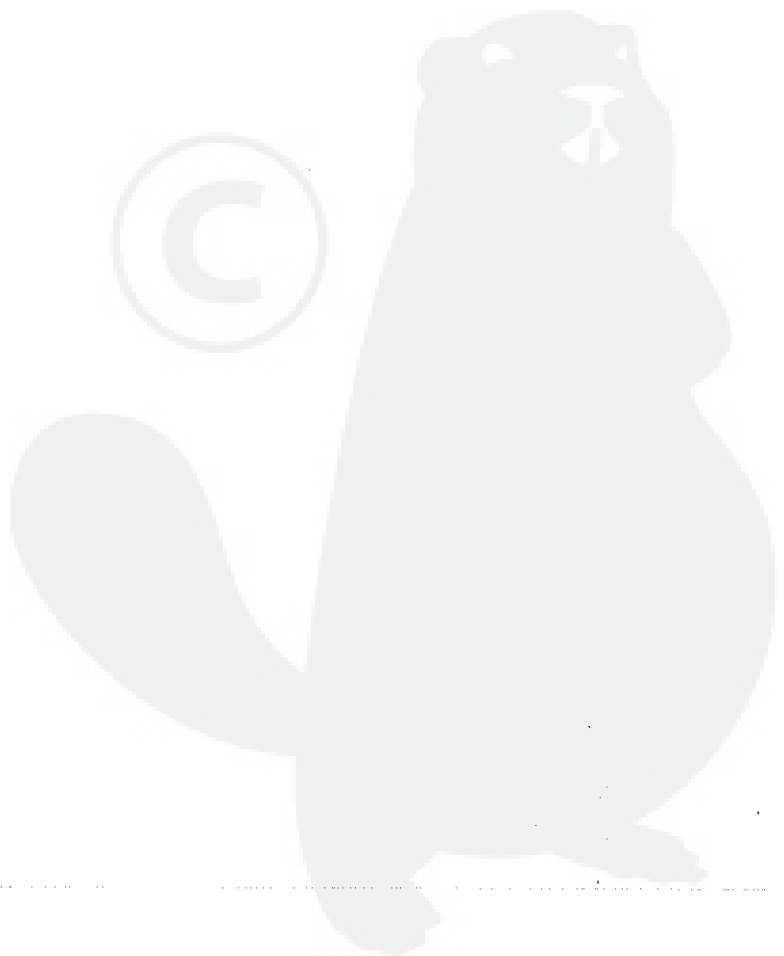
ACHK0019



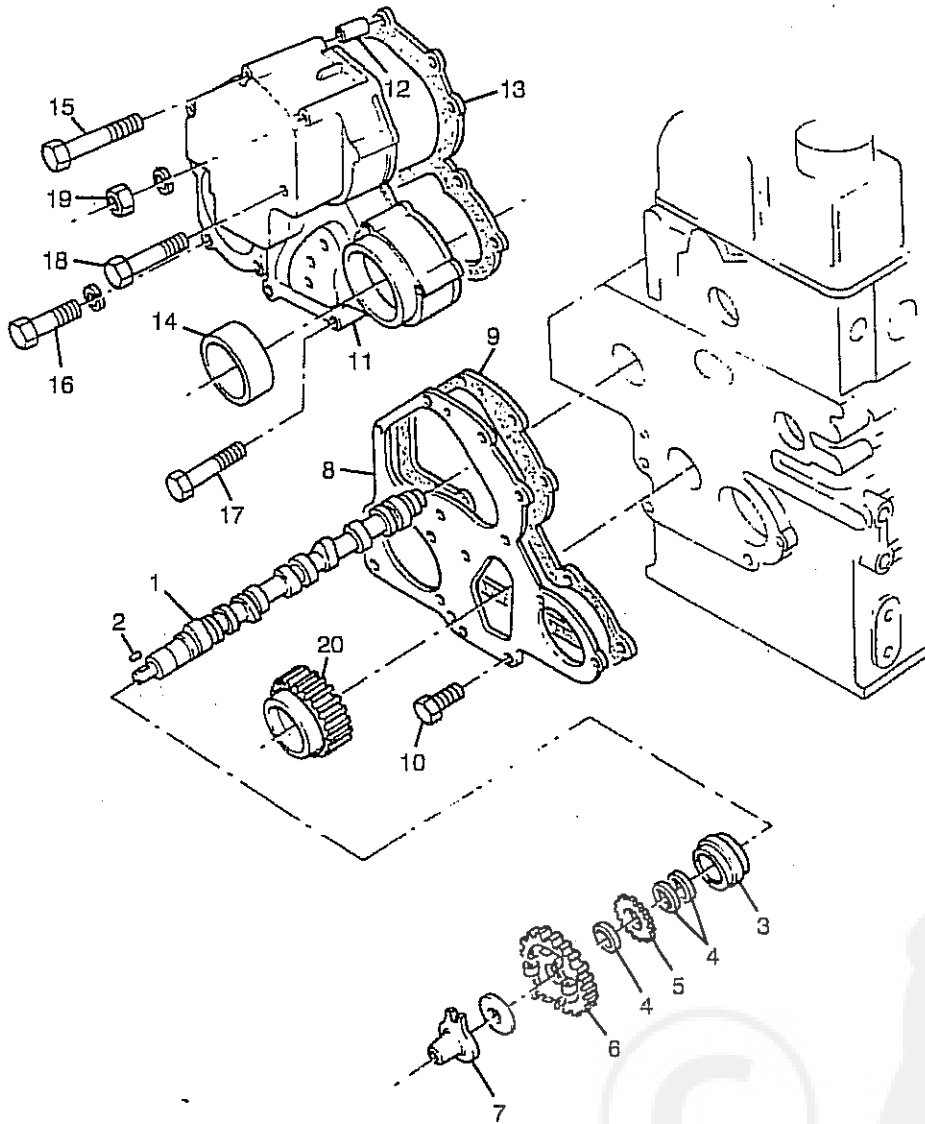
ACHK0019

Footnotes

(A) BEARINGS ARE PRE-FINISHED





ACHK0019





ACHK0019

Item	Part No.	References	Qty.	Description	Notes
1	120026190		1	CAMSHAFT	
2	—034100508		1	WOODRUFF KEY	
3	—040156304		1	BEARING	
4	—199216230		3	SPACER	
5	—120736081		1	CAMSHAFT GEAR	
6	—120016050		1	CAMSHAFT GEAR	
7	125256120		1	TAPPET	
8	165166221		1	PLATE	
9	165996540	 b.	1	JOINT	
10	011300612		2	BOLT	
11	165106092	●○ 165106091 ●○ 165106220	1	TIMING CASE	
12	└030300414		1	PIN	
13	165996550	 a.	1	TIMING CASE COVER JOINT	
14	198636160		1	SEAL	
15	011300645		6	SCREW	
16	011300860		4	SCREW	(A)
17	011300680		2	SCREW	
18	011300660		5	SCREW	
19	023100006		1	NUT	
20			1	IDLER GEAR	(B)

## History

## a.

13	165996351	1	GASKET
----	-----------	---	--------

## b.

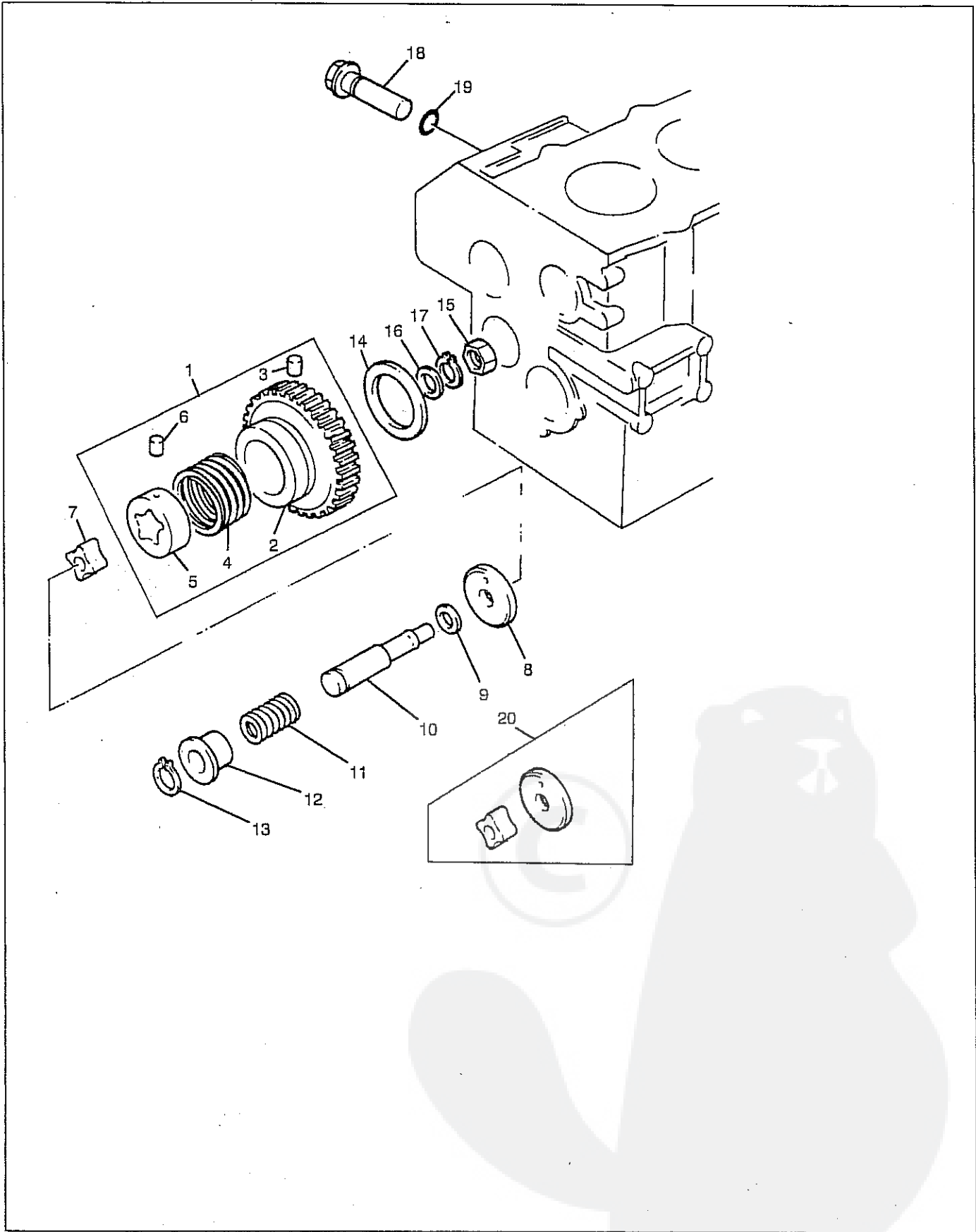
9	165996361	1	JOINT
---	-----------	---	-------

## Footnotes

(A)	USED ONLY WITH 165106220.
-----	---------------------------

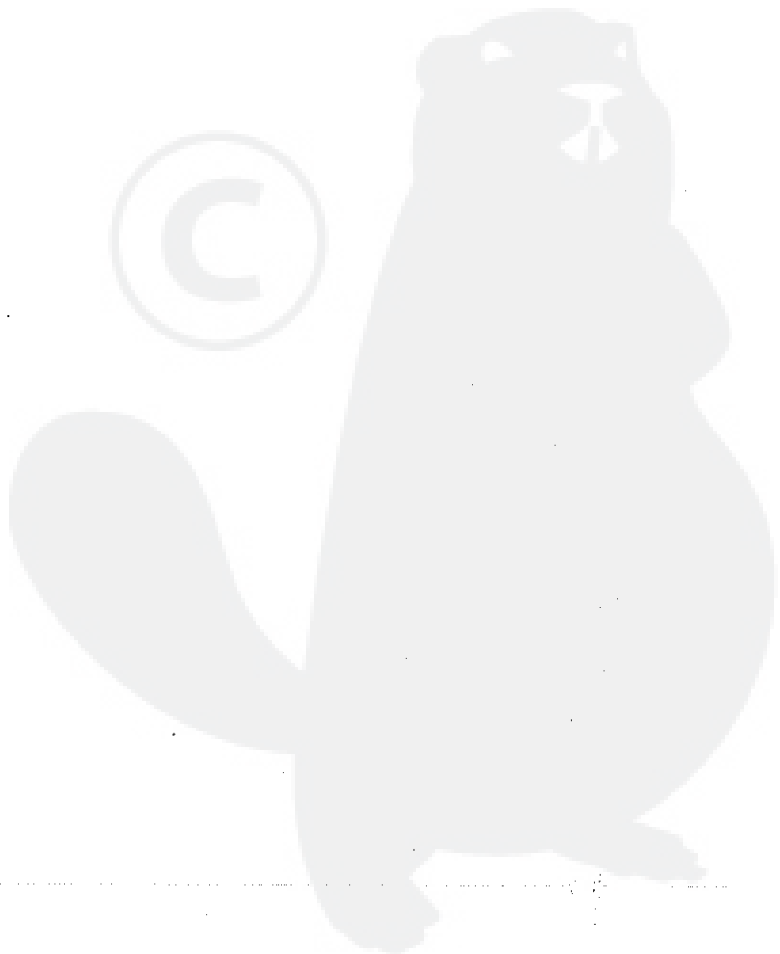
(B)	SEE LUB OIL PUMP SECTION
-----	--------------------------

ACHK0019

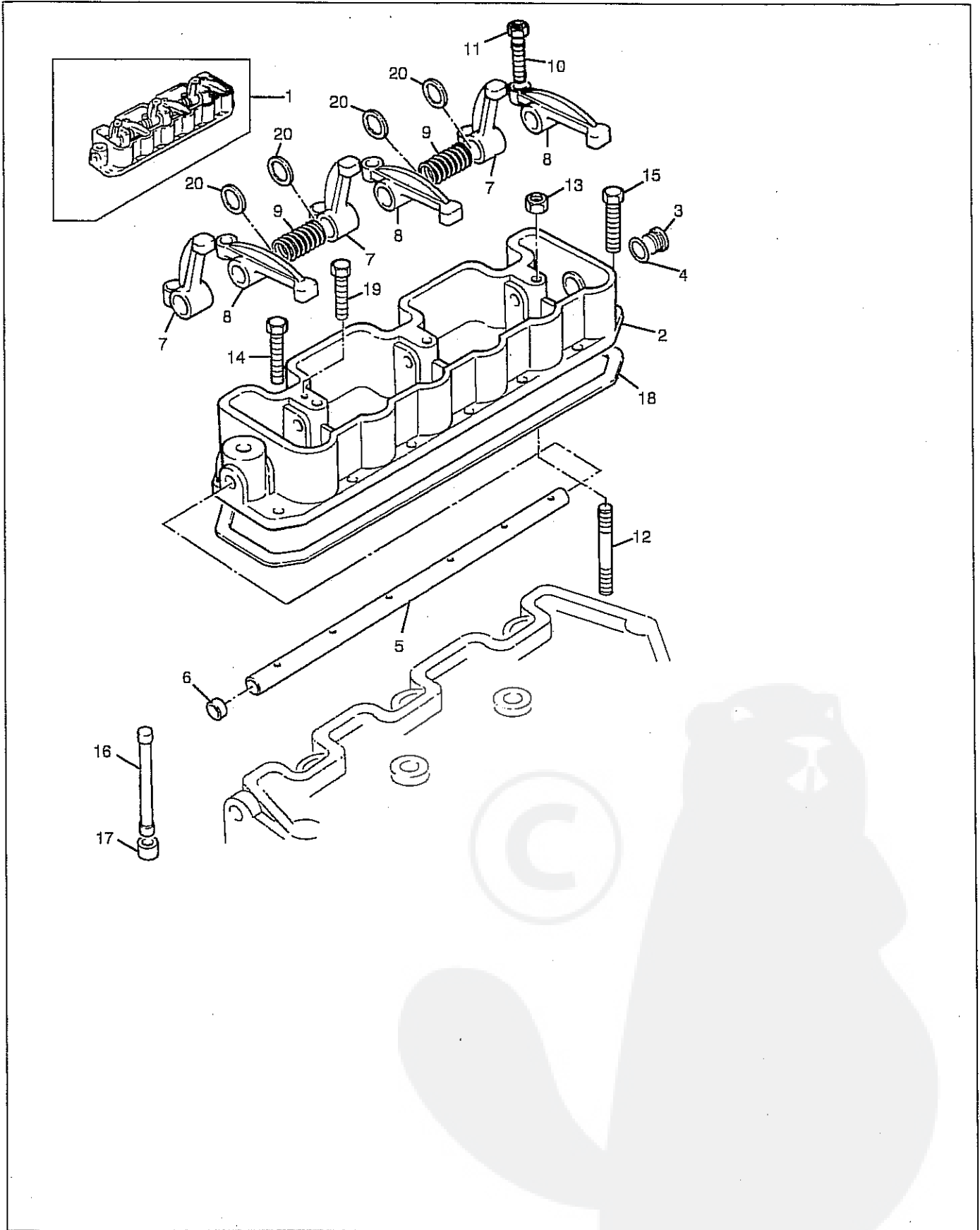


ACHK0019

Item	Part No.	References	Qty.	Description	Notes
1	165026120		1	GEAR - IDLER/OIL PUMP	
4	└ 198216821		1	SPRING	
7	140166140		1	ROTOR	
8	140116140		1	COVER	
9	199286150	$\frac{\text{H}}{\text{A}}$ (+)0.10MM	X	SHIM	
		$\text{S}$			
9	199286160	$\frac{\text{H}}{\text{A}}$ (+)0.15MM	X	SHIM	
9	199286170	$\frac{\text{H}}{\text{A}}$ (+)0.20MM	X	SHIM	
9	199286180	$\frac{\text{H}}{\text{A}}$ (+)0.50MM	X	SHIM	
11	198216720		1	SPRING	
12	199236540		1	COLLAR	
13	036800010		1	CIRCLIP	
14	199266180		1	WASHER	
18	140036120		1	RELIEF VALVE	
19	052100150		1	O RING	
20	140186020		X	REPAIR KIT	



ACHK0019



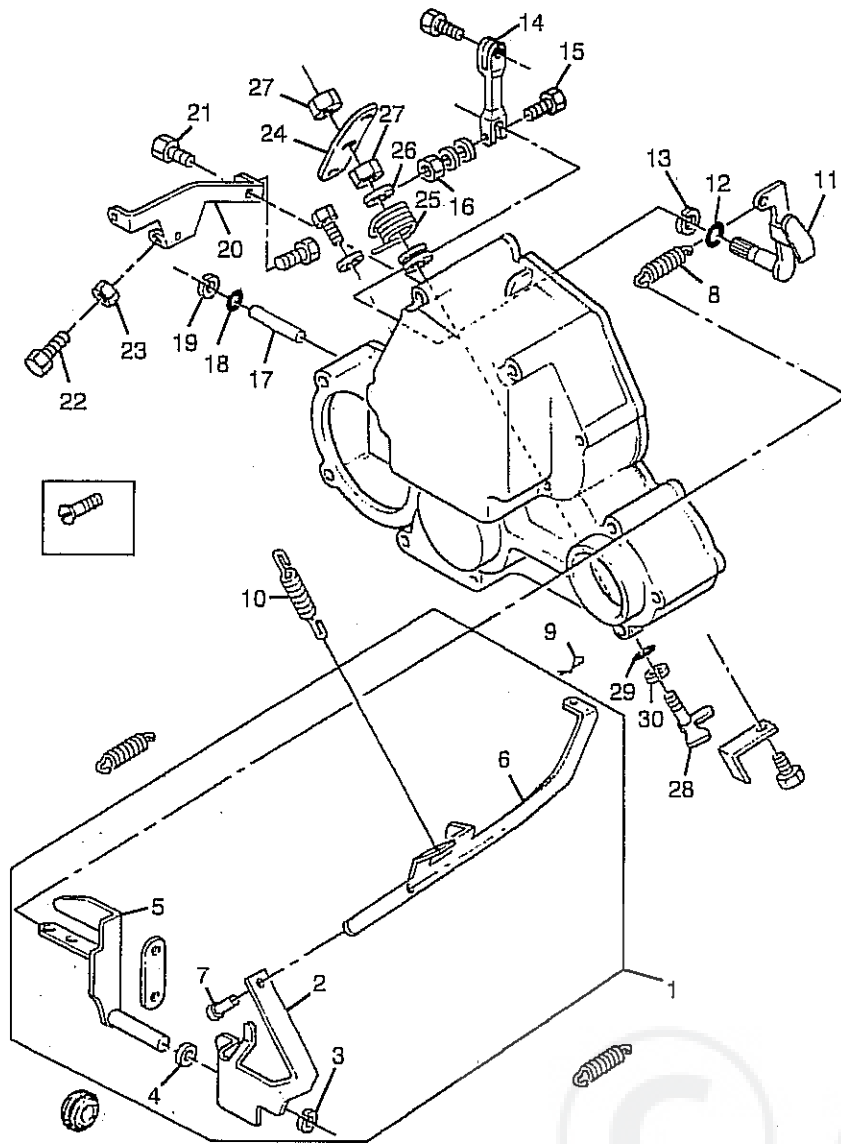
ACHK0019

Item	Part No.	References	Qty.	Description	Notes
1	120036532	●○ 120036531 ●○ 120036530 ●○ 120336030	1	ROCKER SHAFT ASSEMBLY	
2	120346241		1	BRACKET	
3	198436150		1	PLUG	
4	052100120		1	O RING	
5	120316211	●○ 120316210	1	SHAFT	
6	064200012		1	PLUG	(A)
7	120366152	↗	3	LEVER	(B)
7	120356200	↗	3	LEVER	(C)
8	120366162	↘	3	LEVER	(B)
8	120356210	↘	3	LEVER	(C)
9	198216780		2	SPRING	
10	199486220		6	ADJUSTING SCREW	
11	020109076		6	NUT	
20	199280280		4	WASHER	(C)
12	012109177		3	STUD	
13	023100008		3	NUT	
14	011300625		1	SCREW	
15	011300635		1	SCREW	
16	120456231		6	PUSHROD	
17	120116160	●○ 120116100	6	TAPPET	
18	052109065		1	ROCKER COVER JOINT	





## Footnotes

(A)	USED ONLY WITH 120036531/120036530/120336030
(B)	USED ONLY WITH 120336030
(C)	USED ONLY WITH 120036532/120036531/120036530

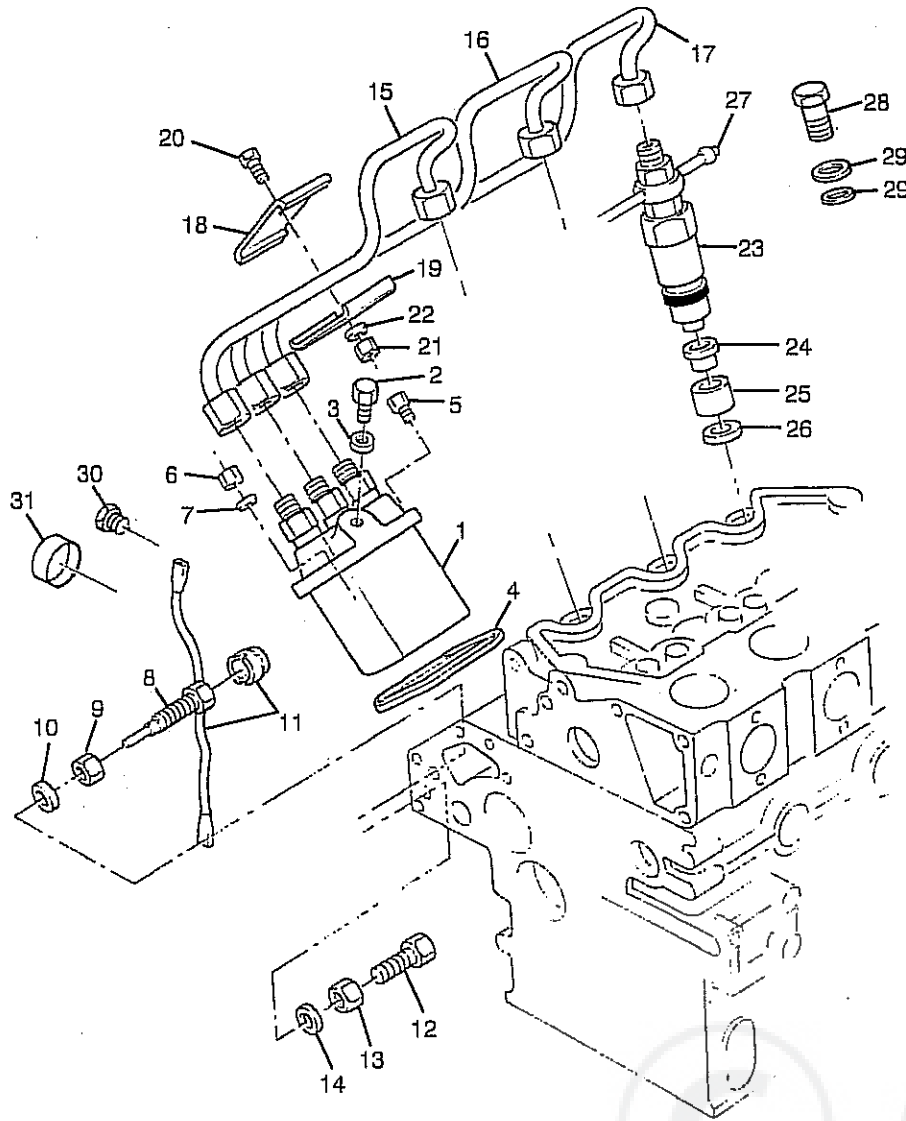
ACHK0019



ACHK0019




Item	Part No.	References	Qty.	Description	Notes
1	125046150		1	LEVER	
2			1	LEVER	
3	—036800008		1	SNAPRING	
4	—026100010	 b.	1	WASHER	
5	—125406080	● 125406081	1	LEVER	
6			1	LINK	
7			1	PIN	
8	198217110	● 198217140	1	SPRING	
9	031100004		1	PIN	
10	198216731		1	SPRING	
11	125156170		1	ARM	
12	052100070		1	O RING	
13	036800008		1	SNAPRING	
14	125416020		1	LEVER	
15	010100630		1	SCREW	
16	023100006		1	NUT	
17	125116141	 a.	1	SHAFT	
		 a.			
18	052100030	 a.	2	O RING	
19	036800005		1	CIRCLIP.	
20	125976120		1	STAY	
21	011300616		2	SCREW	
22	010109264		2	SCREW	
23	023100006		2	NUT	
24	125176080		1	LEVER	
25	198216760		1	SPRING	
26	026200008		1	WASHER	
27	020700008	● 020300008	2	NUT	
28	125156180		1	ARM	
29	052100050		1	O RING	
30	036800006		1	CIRCLIP	
<b>History</b>					
<b>a.</b>					
17	125116140		1	SHAFT	
17, 18	052100030		1	O RING	
<b>b. General History Section</b>					
4	—026200010		1	WASHER	

AFHK2083





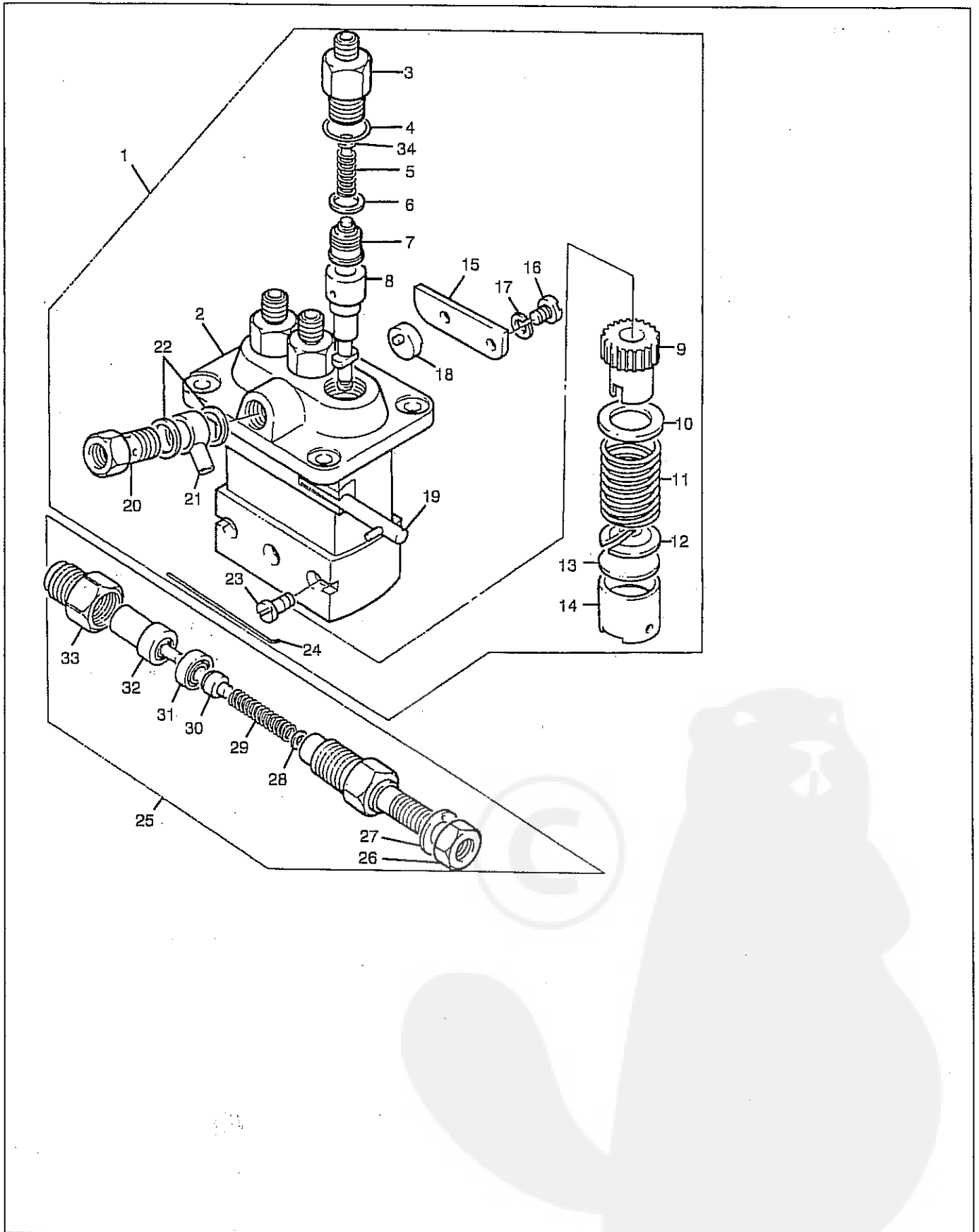
AFHK2083

Item	Part No.	References	Qty.	Description	Notes
1	131017530	●○ 131017360	1	FUEL INJECTION PUMP	(A)
2	131136420	●○ 131136350	1	SCREW	
3	025100008		1	WASHER	
4	131426310	$\frac{\nabla}{\Delta}$ (+)0.2MM ●○ 131437300	X	SHIM KIT	
4	131426310	●○ 131437300	X	SHIM KIT	
4	131426310	$\frac{\nabla}{\Delta}$ (+)0.5MM ●○ 131437302	X	SHIM KIT	
4	131426310	$\frac{\nabla}{\Delta}$ (+)1.0MM ●○ 131437303	X	SHIM KIT	
5	011300820		2	SCREW	
6	023100008		2	NUT	
7	027109010		2	WASHER	
8	131046120		1	SCREW	
9	023109002		1	NUT	
10	025100010		1	WASHER	
11	198236030		1	WIRE	
12	010109271	●○ 010109270	1	SCREW	
13	023109002		1	NUT	
14	025100010		1	WASHER	
15	131507160	 1	1	FUEL INJECTION PIPE	NO.1 CYL.
16	131507170	 2	1	FUEL INJECTION PIPE	NO.2 CYL.
17	131507180	 3	1	FUEL INJECTION PIPE	NO.3 CYL.
18	199106020		2	DAMPER	
19	199106020		2	DAMPER	
20	010100625		2	SCREW	
21	023100006		2	NUT	
23	131406360		3	ATOMISER	(A)
26	131426200		3	GASKET	
27	131606290		1	ATOMISER LEAK-OFF PIPE	

## Footnotes

(A) SEE FOLLOWING PARTS LIST FOR SERVICE COMPONENTS

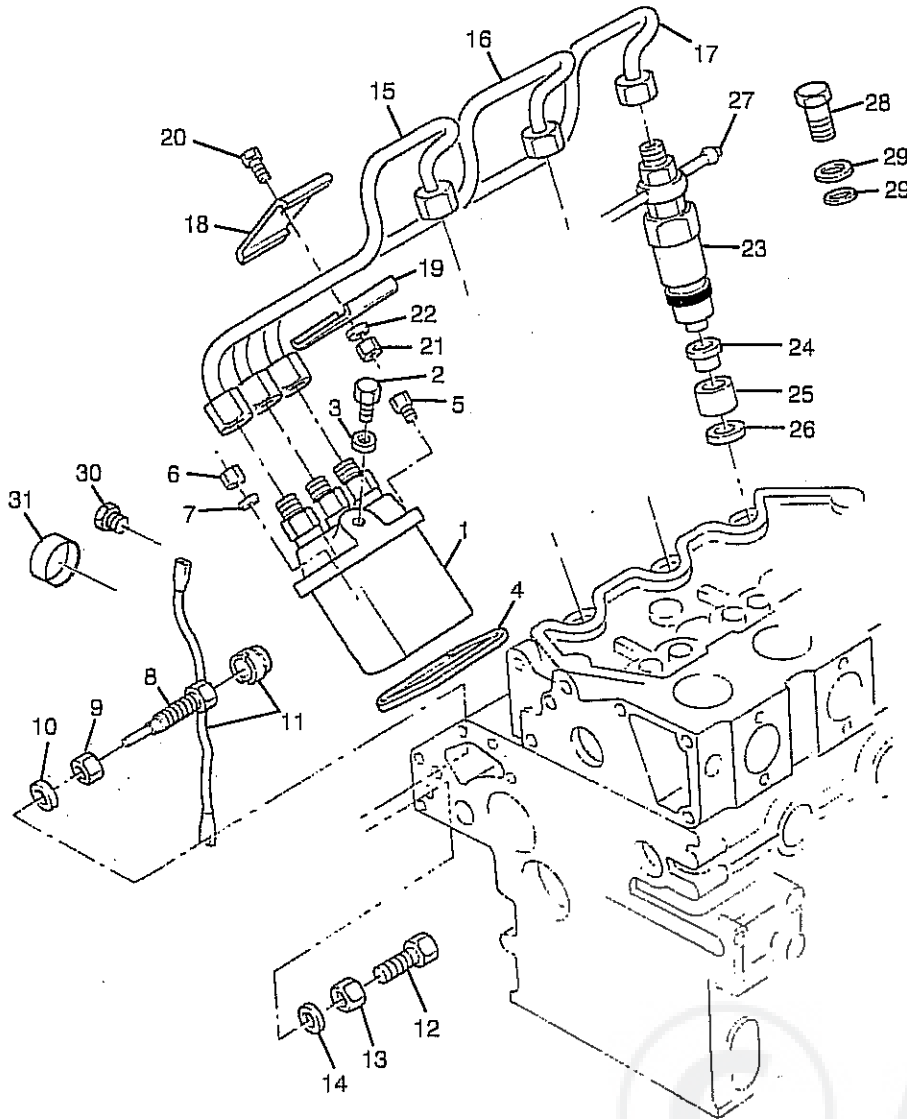
AFHK2083






AFHK2083

Item	Part No.	References	Qty.	Description	Notes
1	131017530	●○ 131017360	1	FUEL INJECTION PUMP	
2	—	⇒ REF.1	1	BODY	
3	—131196060	●○ 131916060	3	HOLDER	
4	—131226130		3	O RING	
5	—131176450		3	SPRING	
6	—131186110		3	GASKET	
7	—131156150		3	VALVE	
8	—131116380		3	PLUNGER	
9	—131296647		3	SLEEVE	
10	—131296532		3	WASHER	
11	—131176320		3	SPRING	
12	—131296531		3	WASHER	
13	—131296530		X	PLATE	
14	—131256110		3	TAPPET	
15	—131296649		1	COVER	
16	—131296408		2	SCREW	
17	—131146070		2	WASHER	
18	—131296648		1	PIN	
19	—131296678		1	RACK	
20	—131246170		1	BOLT	
21	—131246010		1	CONNECTION	
22	—131296255		2	GASKET	
23	—131296645		1	PIN	
25	131406360		1	ATOMISER	
26	—131446006		1	NUT	
27	—131426230		1	GASKET	
28	—131437360		3	SHIM	
29	—131446074		1	SPRING	
30	—131446075		1	WASHER	
31	—131446076		1	SPACER	
32	—131416170		1	NOZZLE	
33	—131446077		1	NUT	
44	33856109		1	HOSE	
55	21825200	●○ 0180070	8	CLIP	
67	33855125		2	HOSE	

AFHK2084



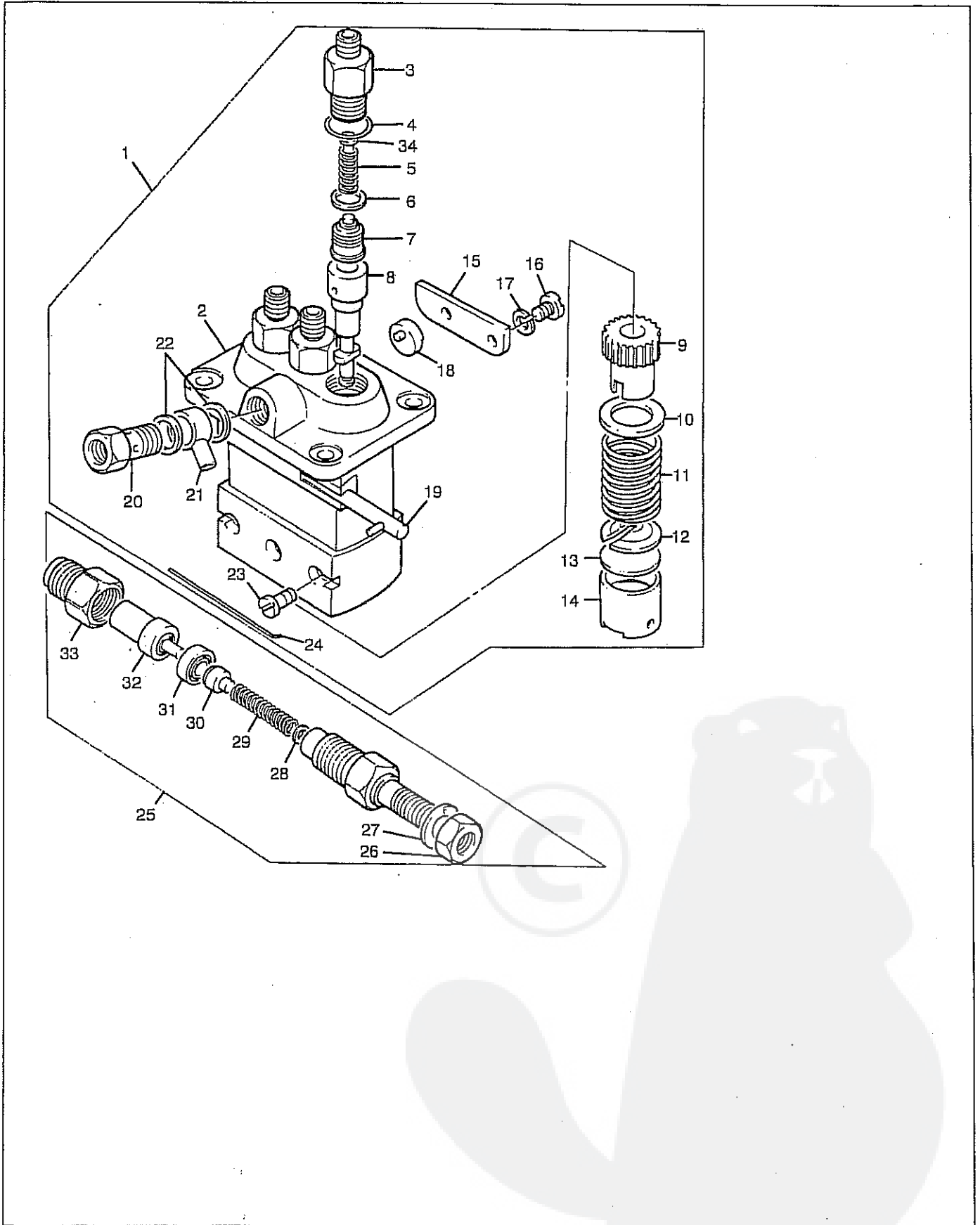
AFHK2084

Item	Part No.	References	Qty.	Description	Notes
1	131017530	●○ 131017360	1	FUEL INJECTION PUMP	(A)
2	131136420	●○ 131136350	1	SCREW	
3	025100008		1	WASHER	
4	131426310	$\frac{\nabla}{\blacktriangle}$ (+)0.2MM ●○ 131437300	X	SHIM KIT	
4	131426310	●○ 131437300	X	SHIM KIT	
4	131426310	$\frac{\nabla}{\blacktriangle}$ (+)0.5MM ●○ 131437302	X	SHIM KIT	
4	131426310	$\frac{\nabla}{\blacktriangle}$ (+)1.0MM ●○ 131437303	X	SHIM KIT	
5	011300820		2	SCREW	
6	023100008		2	NUT	
7	027109010		2	WASHER	
8	131046160		1	SCREW	
9	023109002		1	NUT	
10	025100010		1	WASHER	
11	198236030		1	WIRE	
12	010109271	●○ 010109270	1	SCREW	
13	023109002		1	NUT	
14	025100010		1	WASHER	
15	131507160	 1	1	FUEL INJECTION PIPE	NO.1 CYL.
16	131507170	 2	1	FUEL INJECTION PIPE	NO.2 CYL.
17	131507180	 3	1	FUEL INJECTION PIPE	NO.3 CYL.
18	199106020		2	DAMPER	
19	199106020		2	DAMPER	
20	010100625		2	SCREW	
21	023100006		2	NUT	
23	131406360		3	ATOMISER	(A)
26	131426200		3	GASKET	
27	131606290		1	ATOMISER LEAK-OFF PIPE	

## Footnotes

(A) SEE FOLLOWING PARTS LIST FOR SERVICE COMPONENTS

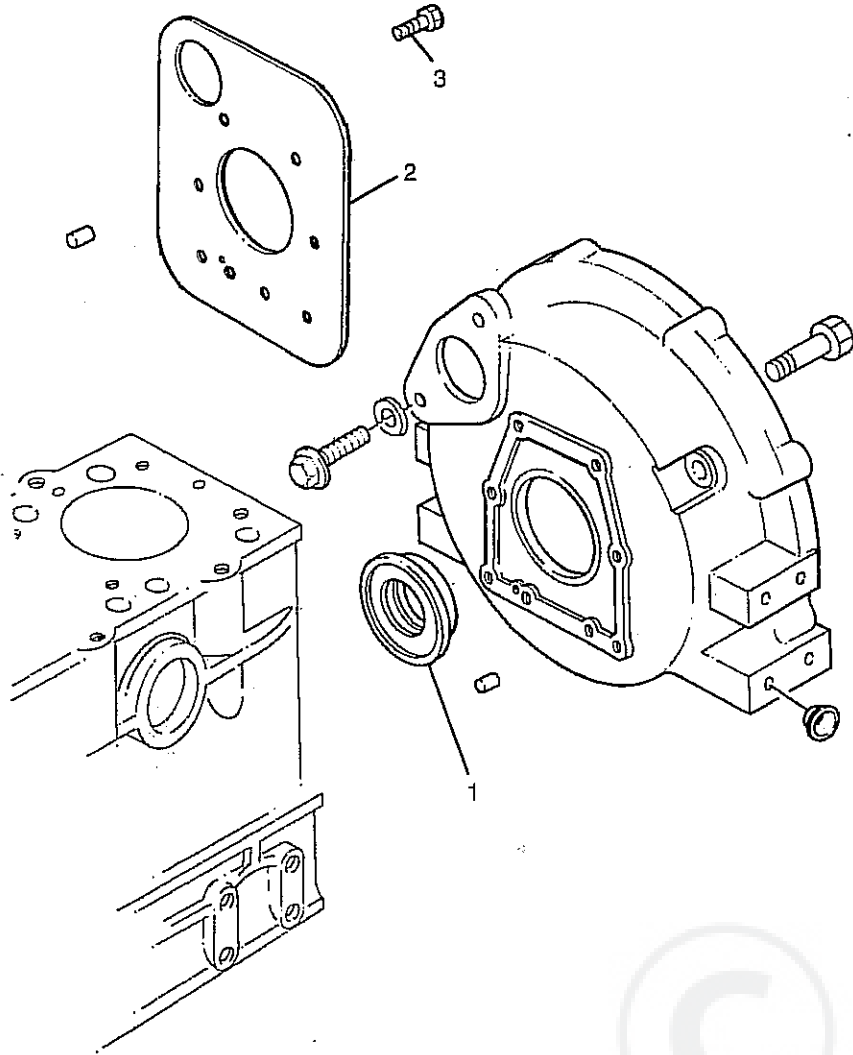
AFHK2084



AFHK2084


Item	Part No.	References	Qty.	Description	Notes
1	131017530	●○ 131017360	1	FUEL INJECTION PUMP	
2	—	⇒ REF.1	1	BODY	
3	— 131196060	●○ 131916060	3	HOLDER	
4	— 131226130		3	O RING	
5	— 131176450		3	SPRING	
6	— 131186110		3	GASKET	
7	— 131156150		3	VALVE	
8	— 131116380		3	PLUNGER	
9	— 131296647		3	SLEEVE	
10	— 131296532		3	WASHER	
11	— 131176320		3	SPRING	
12	— 131296531		3	WASHER	
13	— 131296530		X	PLATE	
14	— 131256110		3	TAPPET	
15	— 131296649		1	COVER	
16	— 131296408		2	SCREW	
17	— 131146070		2	WASHER	
18	— 131296648		1	PIN	
19	— 131296678		1	RACK	
20	— 131246170		1	BOLT	
21	— 131246010		1	CONNECTION	
22	— 131296255		2	GASKET	
23	— 131296645		1	PIN	
25	131406360		1	ATOMISER	
26	— 131446006		1	NUT	
27	— 131426230		1	GASKET	
28	— 131437360		3	SHIM	
29	— 131446074		1	SPRING	
30	— 131446075		1	WASHER	
31	— 131446076		1	SPACER	
32	— 131416170		1	NOZZLE	
33	— 131446077		1	NUT	
44	33856109		1	HOSE	
55	21825200	●○ 0180070	8	CLIP	
67	33855125		2	HOSE	

CDHK0754



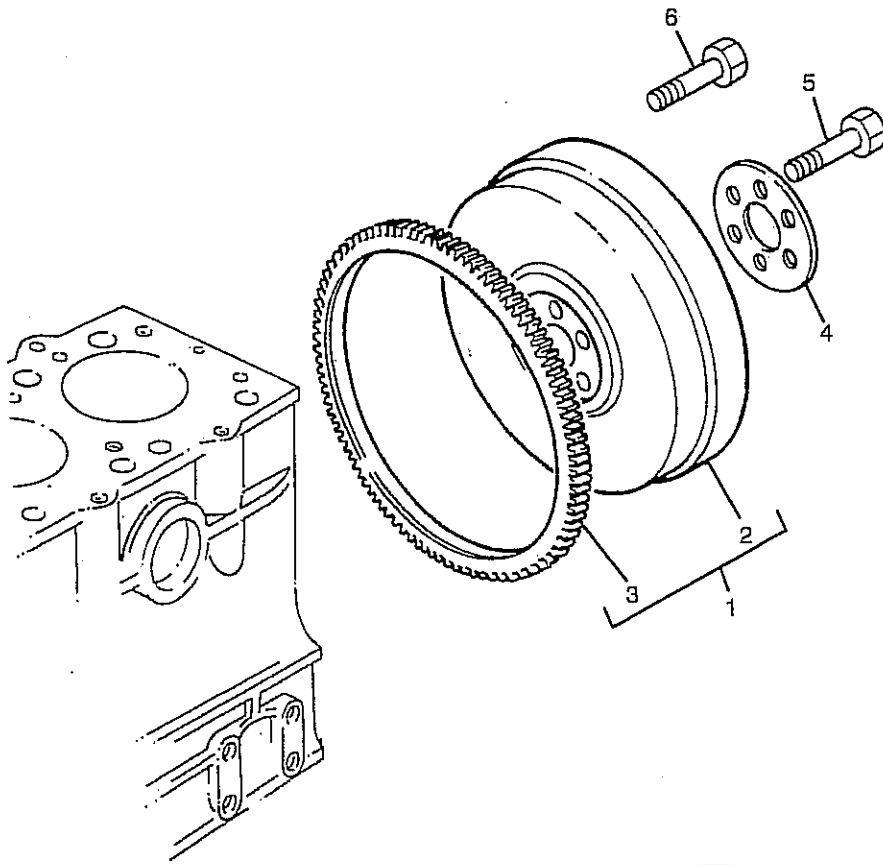


CDHK0754

Item	Part No.	References	Qty.	Description	Notes
1	198636170		1	SEAL	
2	110366490	 a.	1	BACKPLATE	
3	011300816		10	SCREW	
<b>History</b>					
a.					
2	110366350		1	PLATE	

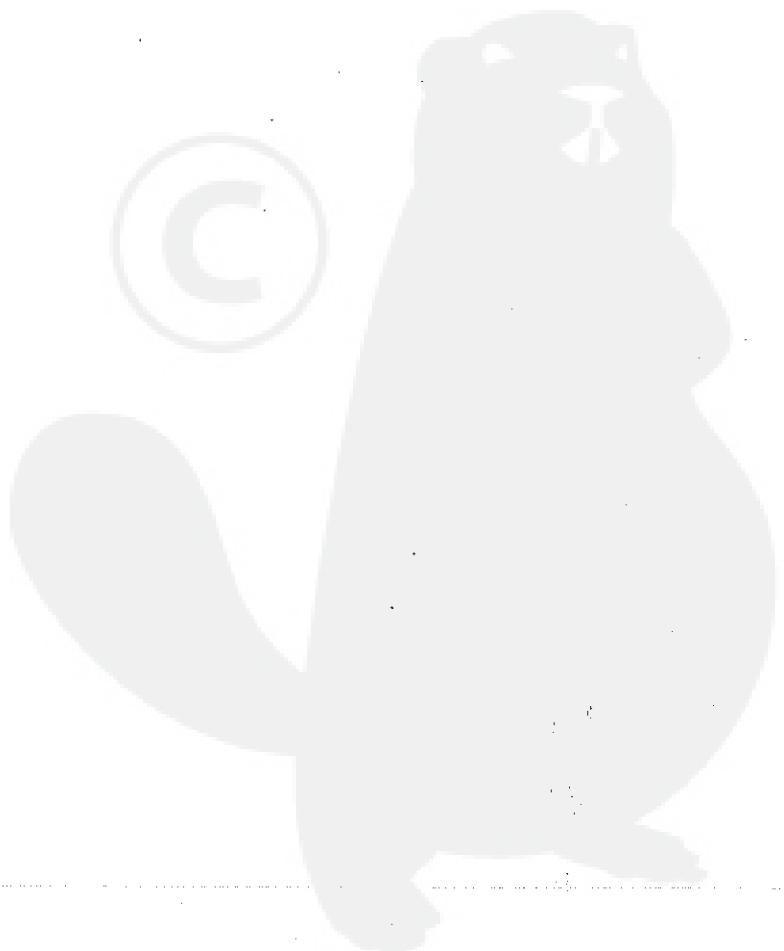


DDHK0817

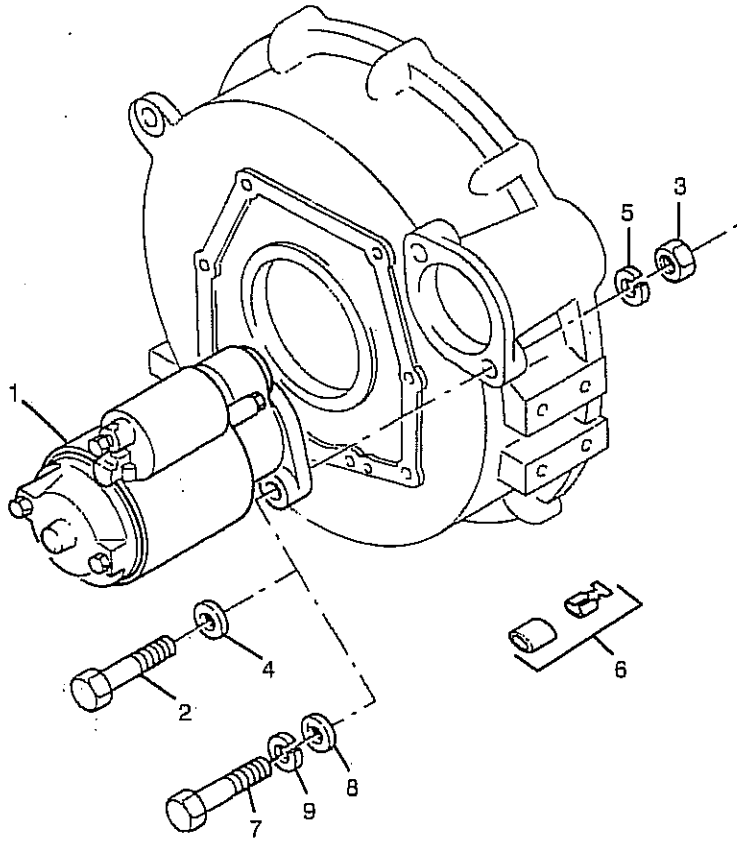


DDHK0817

Item	Part No.	References	Qty.	Description	Notes
3	115376040		1	STARTER RING	
5	010109341		6	BOLT	



EDHK0611



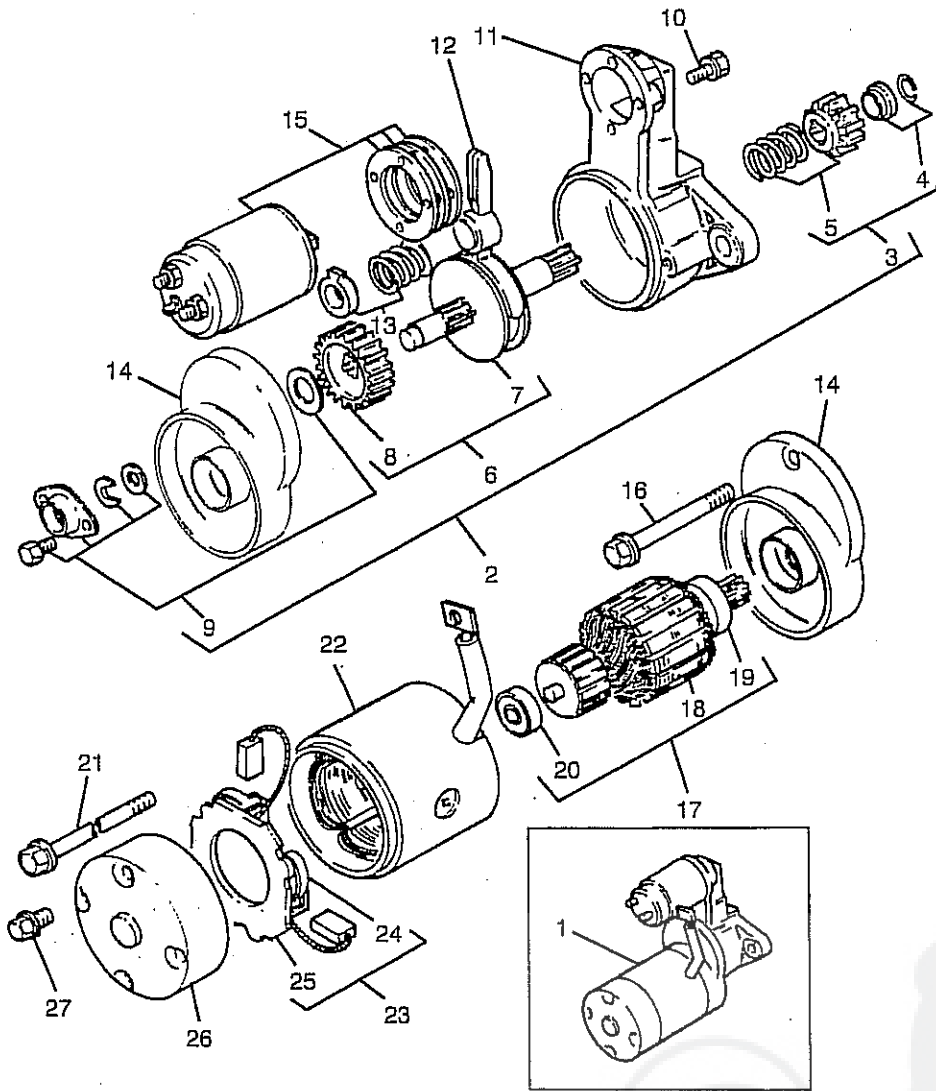
EDHK0611

Item	Part No.	References	Qty.	Description	Notes
1	185086560	●○ 185086291	1	STARTERMOTOR	(A,B,C)
1	185086600		1	STARTERMOTOR	(D,C,E)
2	010101030		2	SCREW	
3	020100010		2	NUT	
4	026100010		2	WASHER	
5	027100010		2	WASHER	

## Footnotes

(A)	FOR BREAKDOWN DETAILS SEE FOLLOWING PAGES
(B)	FITTED UP TO ENGINE NUMBER KR.....905379C OR KE.....909387D OR KF.....909448D.
(C)	REFER TO SERVICE BULLETIN NO.50 (100 SERIES,FEBRUARY 1998).
(D)	FITTED FROM ENGINE NUMBER KR.....905379C OR KE.....909387D OR KF.....909448D.
(E)	BREAKDOWN HAS YET TO BE ADVISED.

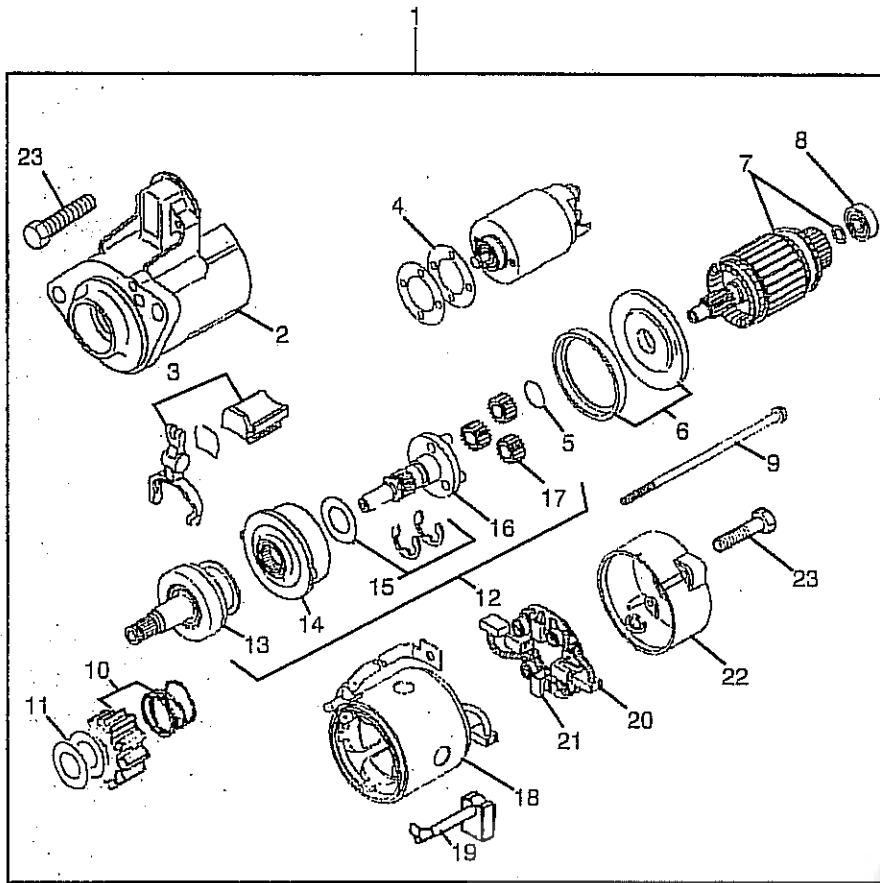
EDHK0611



EDHK0611

Item	Part No.	References	Qty.	Description	Notes
1	185086560		1	STARTERMOTOR	
2	—185866180		1	SHAFT	
3	—185846406		1	PINION	
4	—185846327		1	CIRCLIP	
5		⇒ REF.3	1	GEAR	
6	—185846328		1	GEAR	
7	—185866130		1	SHAFT	
8	—185846329		1	GEAR	
9	—185846330		1	COVER	
10	—185846317		2	SCREW	
11	—185846467		1	COVER	
12	—185846319		1	LEVER	
13	—185846320		1	SPRING	
14	—185846321		1	BRACKET	
15	—185816120		1	SWITCH	
16	—185846322		1	BOLT	
17	—185846357		1	ARMATURE	
18		⇒ REF.17	1	ARMATURE	
19	—040116002	● 185846324	1	BALL BEARING	
20	—185846325		1	BEARING	
21	—185846363		2	BOLT	
22	—185846364		1	HOUSING	
23	—185846360		1	BRUSH	
24	—185846361		4	SPRING	
25		⇒ REF.23	1	HOLDER	
26	—185846362		1	COVER	
27	—185846317		3	SCREW	

EDHK0611

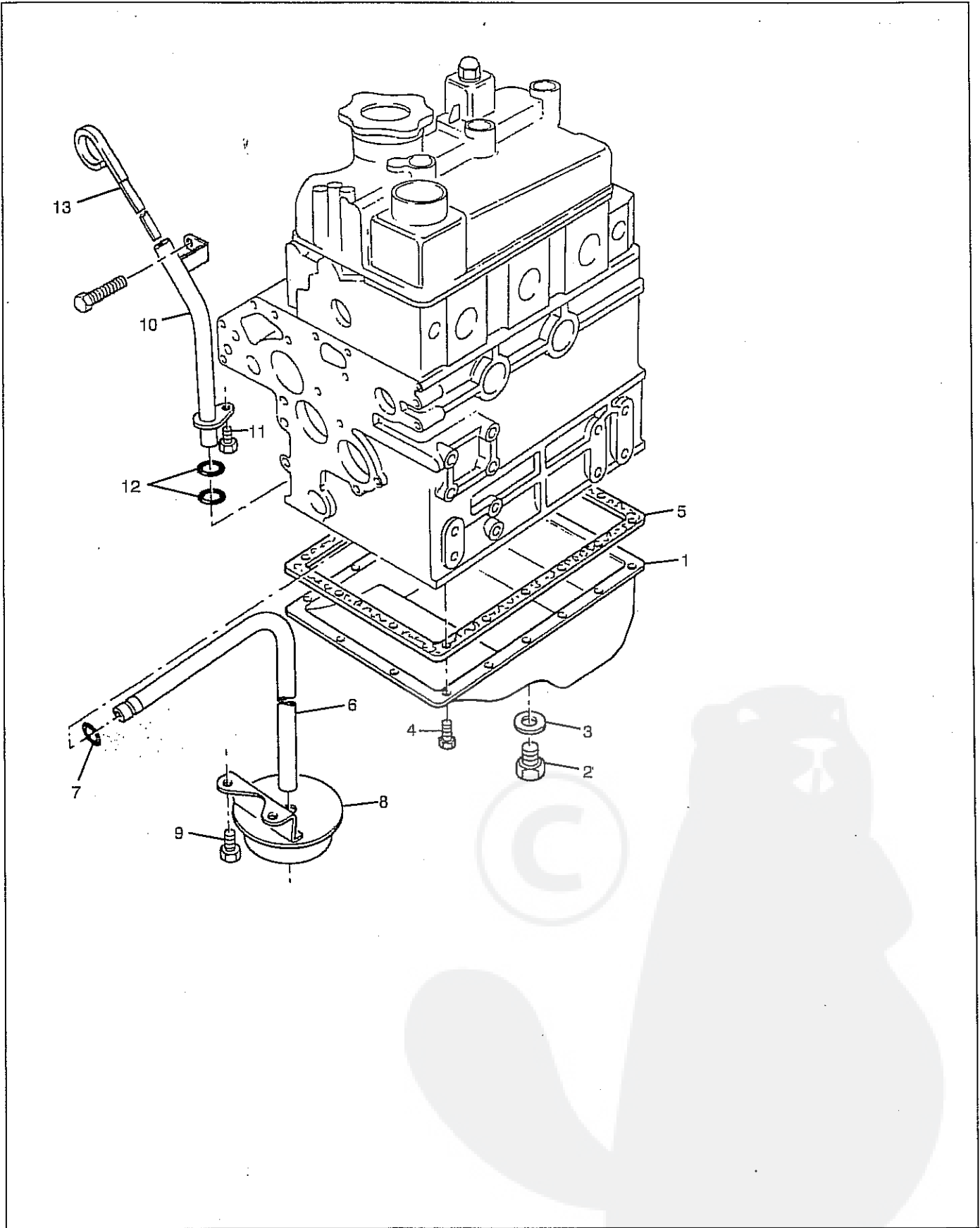








EDHK0611

Item	Part No.	References	Qty.	Description	Notes
1	185086560		1	STARTERMOTOR	
2	—185846622		1	BRACKET	
3	—185846625		1	LEVER	
4	—185816340		1	SWITCH	
5	—185846616		1	BALL	
6	—185996010		1	PACKING	
7	—185846628		1	ARMATURE ASSEMBLY	
8	└185446283		1	BEARING	
9	—185846536		1	BOLT	
10	—185846626		1	PINION	
11	└185846391		1	STOP	
12	—185866420		1	SHAFT	
13	└185866440		1	CLUTCH	
14	└185846624		1	GEAR	
15	└185846623		1	WASHER	
16	└185866430		1	SHAFT	
17	└185846613		1	GEAR	
18	—185846629		1	YOKE	
19	└185846630		1	BRUSH	
20	—185846631		1	HOLDER	
21	└185846632		1	SPRING	
22	—185846633		1	BRACKET	
23	—185846627		1	SCREW KIT	

GBHK1379



GBHK1379

Item	Part No.	References	Qty.	Description	Notes
1	110706880		1	SUMP	
2	010401212		1	PLUG	
3	025100012		1	WASHER	
4	010109235		26	SCREW	
5	110996820	 c.	1	SUMP JOINT	
6	140986530		1	OIL PIPE	
7	052109076	 052100110	1	O RING	
8	140406310		1	STRAINER	
9	011310612		2	SCREW	
10	110756560	 b.	1	DIPSTICK TUBE	
11	011300612		1	BOLT	
12	052100100		2	O RING	
13	198416730	 a.	1	OIL DIPSTICK	

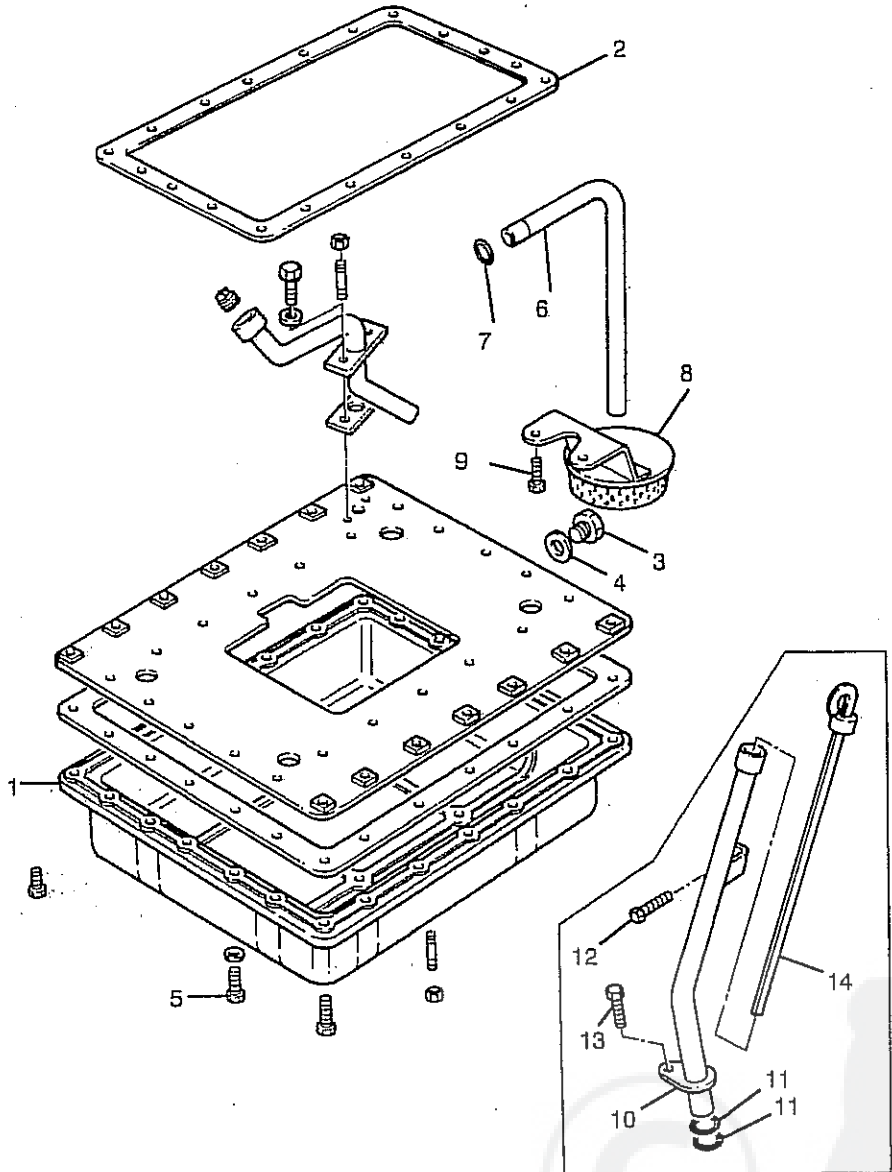
## History

<b>a.</b>					
13	198416320		1	DIPSTICK	(A) 275MM LONG
<b>b.</b>					
10	110756140		1	TUBE	
<b>c.</b>					
5	110996560		1	GASKET	





## Footnotes

(A) ALTERNATIVES

GBHK1500



GBHK1500

Item	Part No.	References	Qty.	Description	Notes
1	110706880		1	SUMP	
2	110996820	 c.	1	SUMP JOINT	
3	010401212		1	PLUG	
4	025100012		1	WASHER	
5	010109235		26	SCREW	
6	140986530		1	OIL PIPE	
7	052109076	● 052100110	1	O RING	
8	140406310		1	STRAINER	
9	011310612		2	SCREW	
10	110756580	 b.  d.	1	DIPSTICK TUBE	
11	052100100		2	O RING	
12	011300812		1	SCREW	
13	011300612		1	BOLT	
14	198416740	 a.	1	OIL DIPSTICK	

## History

a.

14	198416371		1	DIPSTICK	(A) 445MM LONG
----	-----------	--	---	----------	----------------

b.

10	110756360	→ 01/10/92	1	TUBE	
----	-----------	------------	---	------	--

c.

2	110996560		1	GASKET	
---	-----------	--	---	--------	--

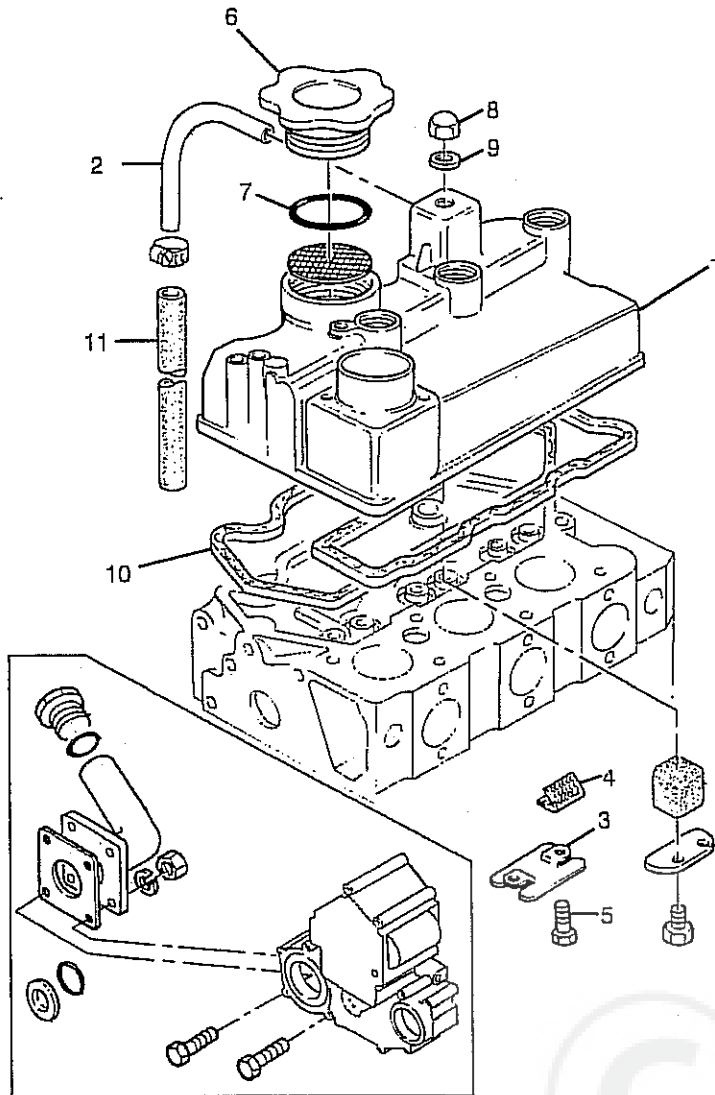
d. General History Section

10	110756201	→ 30/09/92	1	TUBE	
----	-----------	------------	---	------	--

## Footnotes

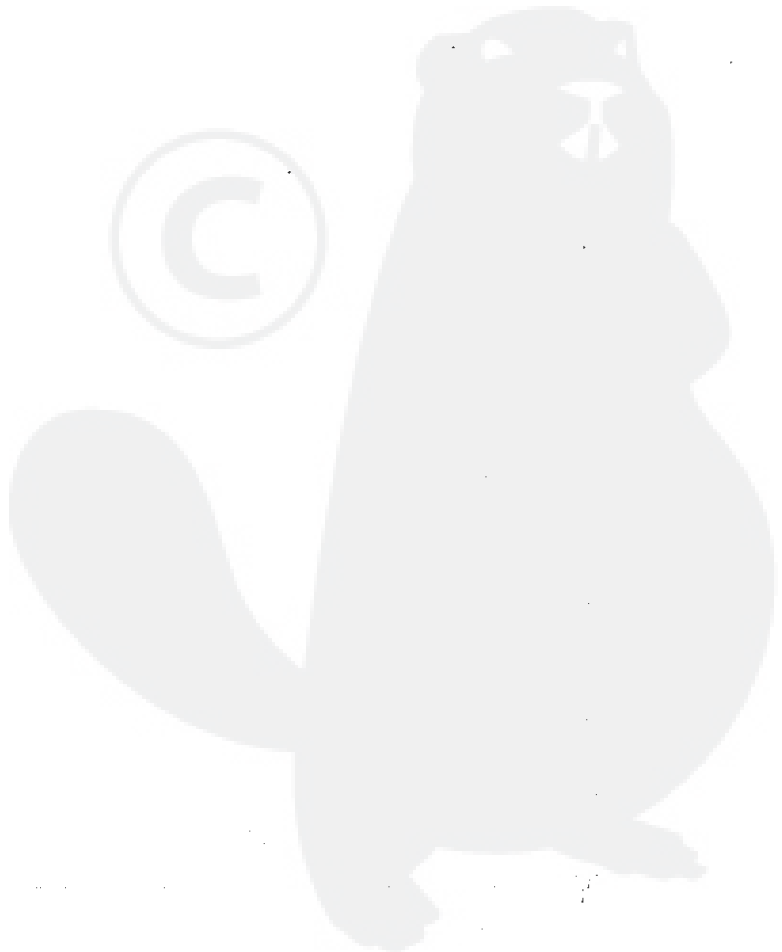
(A)	ALTERNATIVES
-----	--------------

HBHK1389

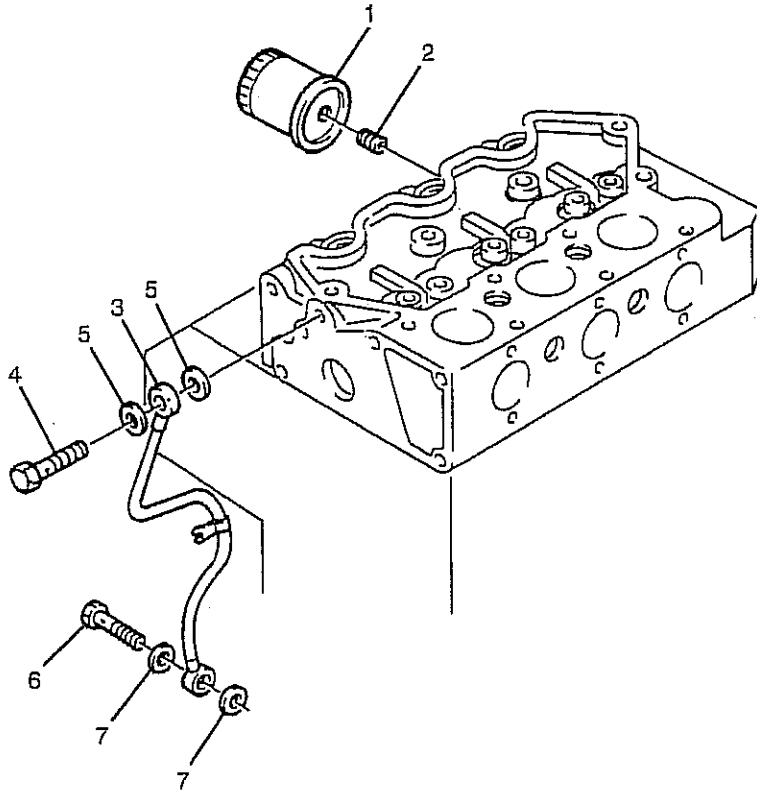


HBHK1389

Item	Part No.	References	Qty.	Description	Notes
1	111026491	●○ 111026490	1	CYLINDER HEAD COVER	
2	—140986581		1	AIR PIPE	
3	—110666050		1	PLATE	
4	—110666090		1	GAUZE	
5	—011300612		2	BOLT	
6	198436010		1	CAP	
7	052100400		1	SEAL	
8	024600008	●○ 024500008	3	NUT	
9	140996260	□ a.	3	WASHER	
10	052109064		1	INLET MANIFOLD JOINT	
11	068109036		1	HOSE	
<b>History</b>					
a.					
9	198996060		3	WASHER	





JBHK1071





JBHK1071

Item	Part No.	References	Qty.	Description	Notes
1	140516130		1	OIL FILTER	
2	140546020		1	CONNECTION	
3	140606691		1	OIL PIPE	
4	198486780		1	BOLT	
5	140996260	 a.	2	WASHER	
6	198486780		1	BOLT	
7	140996260	 a.	2	WASHER	

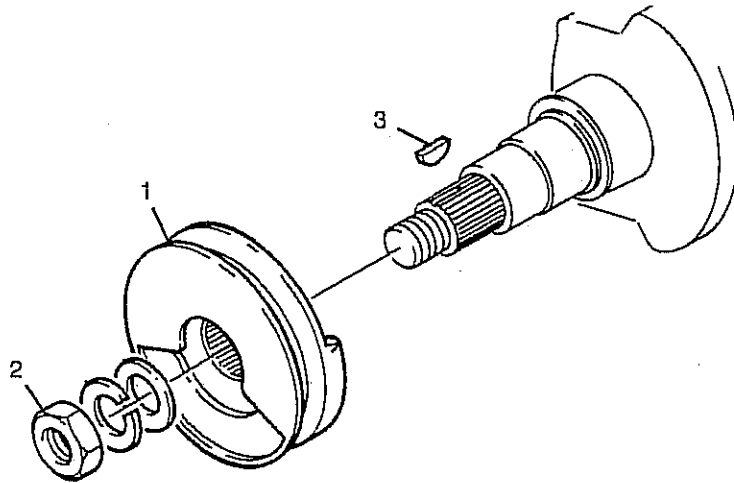
**History**

a.

5	198996060		2	WASHER	
7	198996060		2	WASHER	

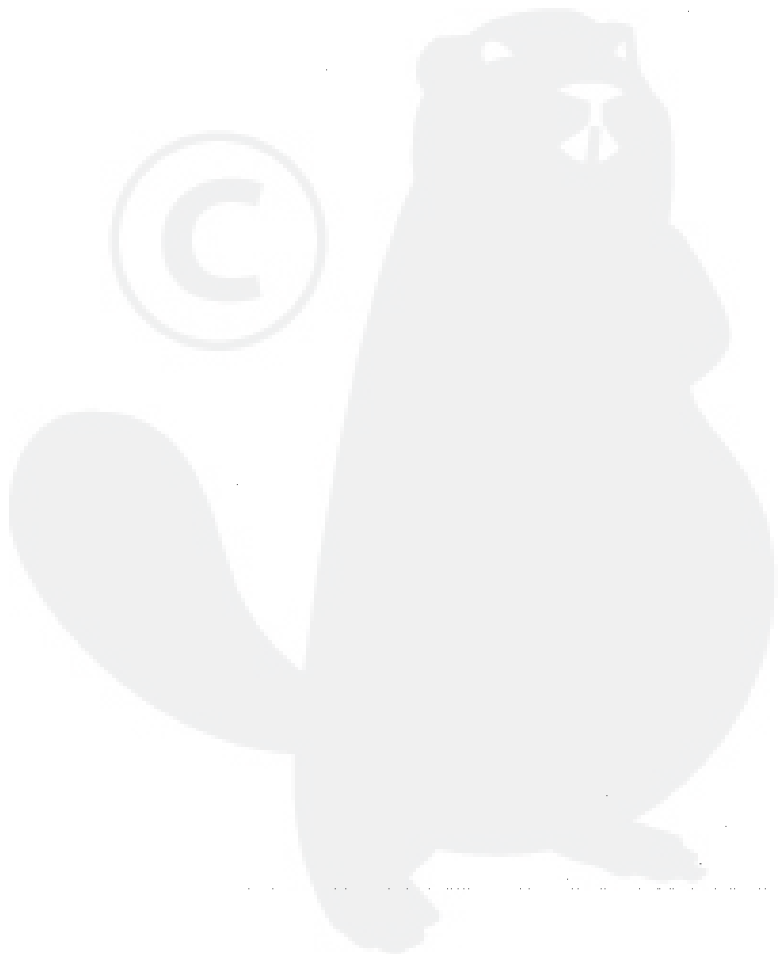


KBHK0577

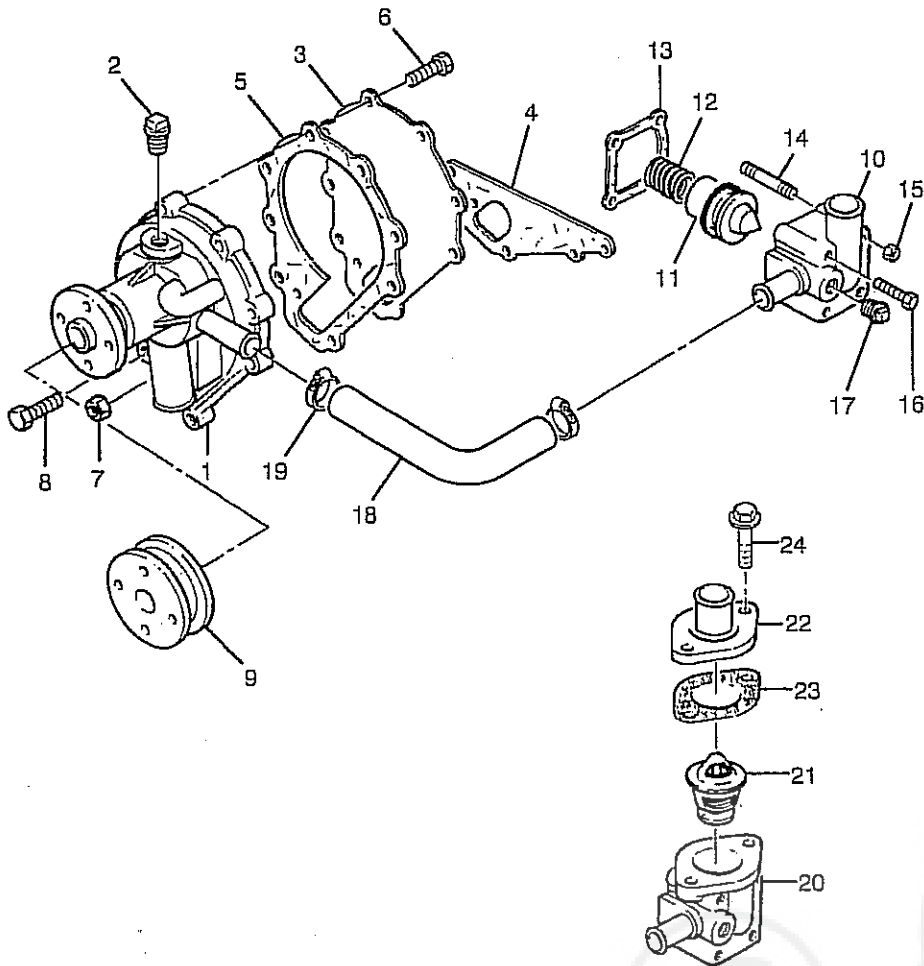


KBHK0577





Item	Part No.	References	Qty.	Description	Notes
1	115396820		1	CRANKSHAFT PULLEY	
2	020109086		1	NUT	
3	034100508		1	WOODRUFF KEY	
<b>History</b>					
a.	026100024		1	WASHER	



LBHK1439



LBHK1439

Item	Part No.	References	Qty.	Description	Notes
1	145016900		1	WATER PUMP	
2	064500030		1	PLUG	
3	145146320		1	PLATE	
4	145996670	 c.	1	JOINT	
5	145996460		1	GASKET	
6	015300614		5	SCREW	
7	023100006		1	NUT	
8	011300635		4	SCREW	
9	145336620		1	WATERPUMP PULLEY	
10			1	THERMOSTAT HOUSING	(A)
11	145206210	●○ 145206022 ●○ 145206021	1	THERMOSTAT	(B)
12	198217400	●○ 198216790	1	SPRING	(B)
13	145996710	 b.	1	GASKET	
14	012100645		2	STUD	
15	023100006		2	NUT	
16	011300645		2	SCREW	
17	064500030		1	PLUG	
18	145536050		1	HOSE	
19	067100022		2	CLIP	
20	145216380	 a.	1	THERMOSTAT HOUSING	
21	145206180		1	THERMOSTAT	(C)
22	145226340	 a.	1	CONNECTION	
23	145996051		1	JOINT	(C)
24	011500820		2	SCREW	(C)

## History

## a.

20	145216370	●○ 145216180	1	THERMOSTAT HOUSING	
22	145226310		1	COVER	(C)

## b.

13	145996360		1	GASKET	
----	-----------	--	---	--------	--

## c.

4	145996370		1	JOINT	
---	-----------	--	---	-------	--

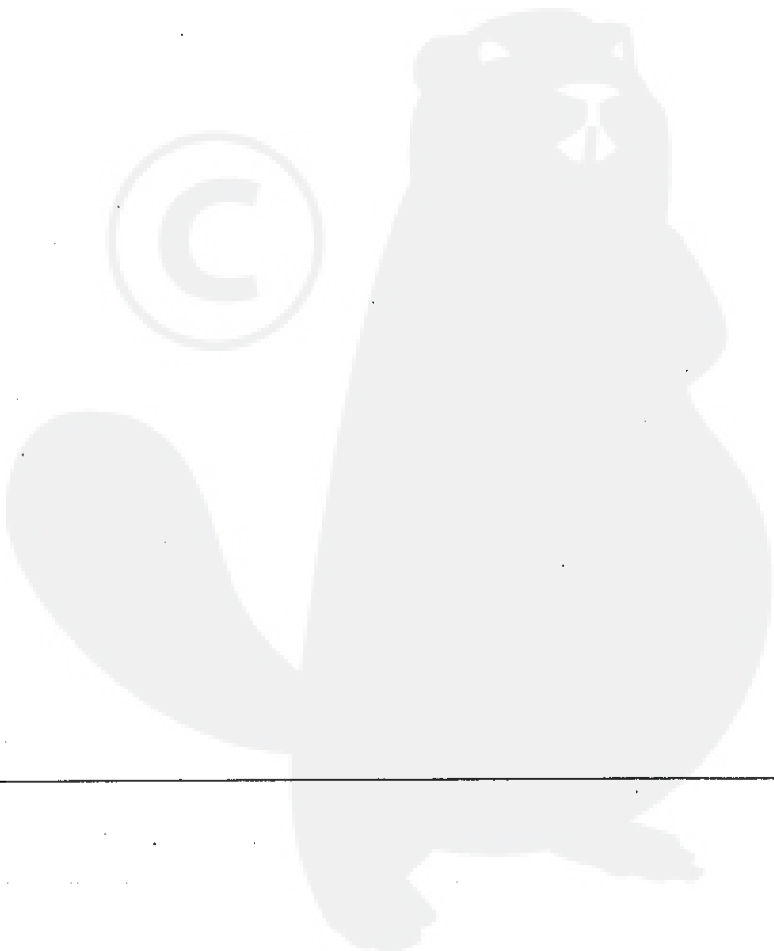
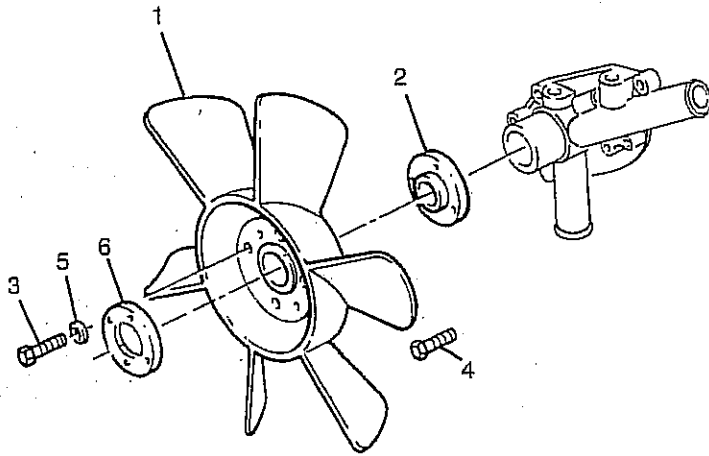
## Footnotes

(A) WAS 145216151 USE 145216370 WITH ITEMS 22 TO 25.

(B) USED ONLY WITH 145216151

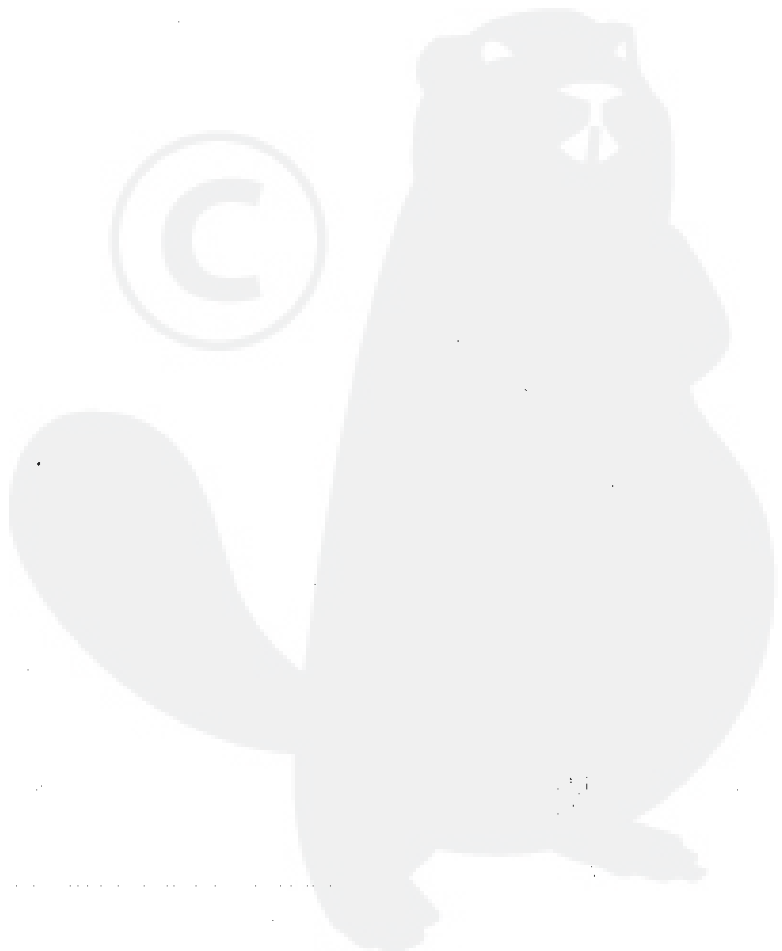
(C) USED ONLY WITH 145216370

MDHK0821

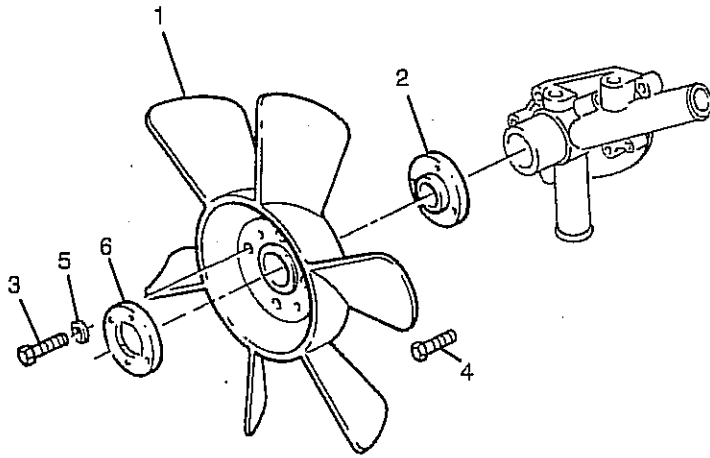


MDHK0821

Item	Part No.	References	Qty.	Description	Notes
1	145306520		1	FAN	
2	145386910	● 145386501	1	EXTENSION	
3	011310625		4	SCREW	



MDHK0817



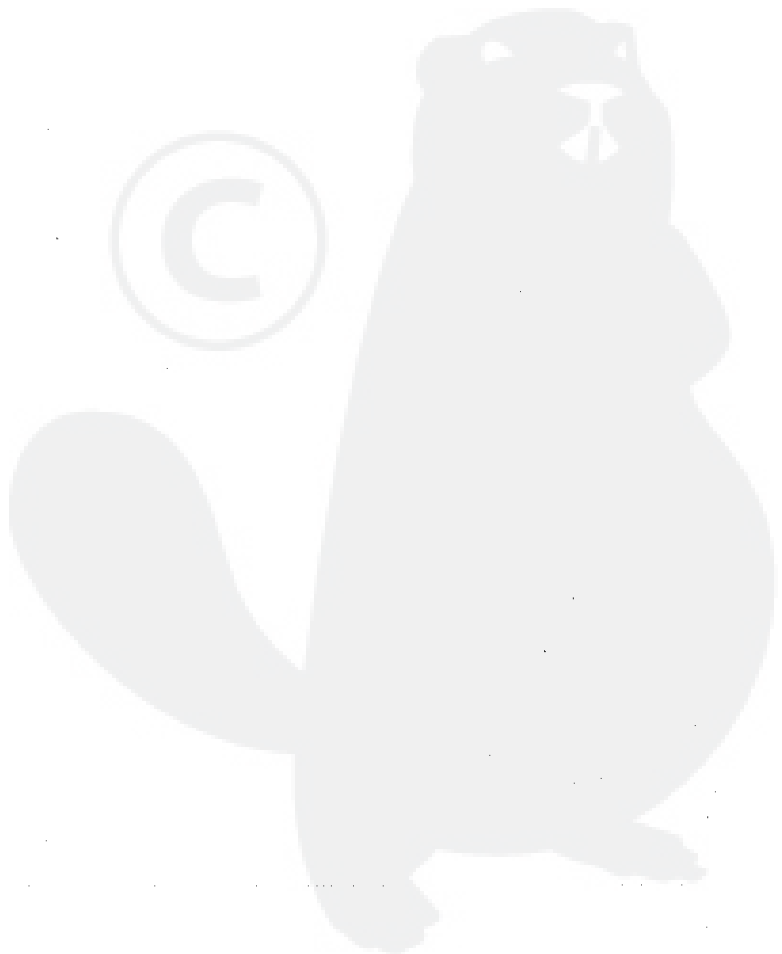


MDHK0817

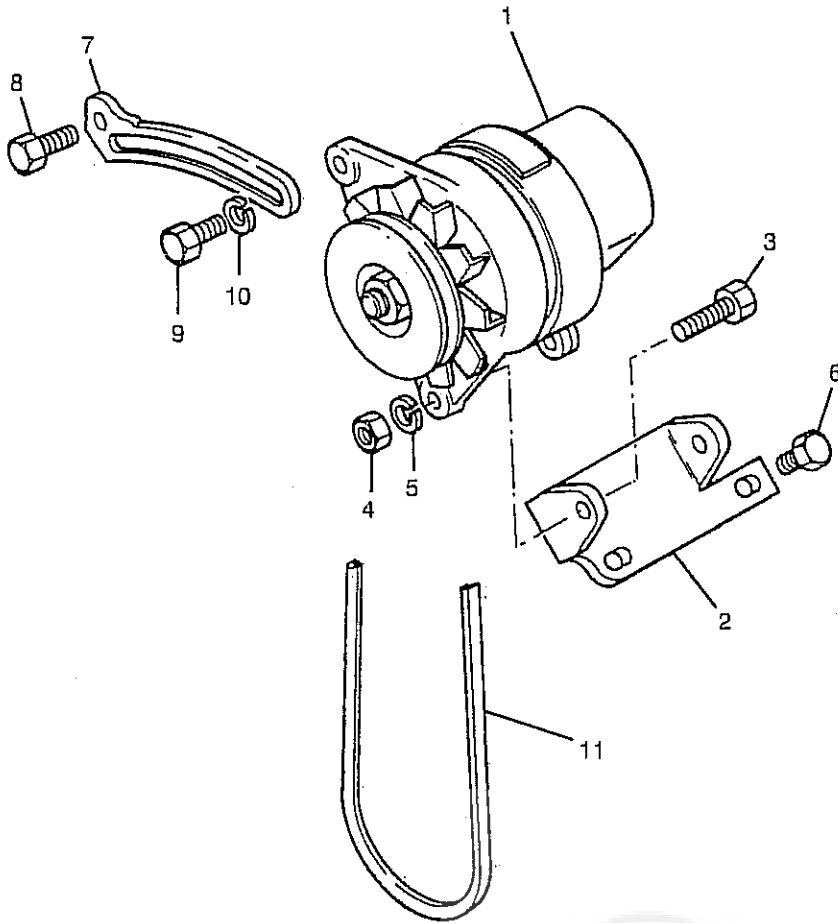
Item	Part No.	References	Qty.	Description	Notes
1	145306491		1	FAN	
3	011310614		4	SCREW	(A)
3	011310616		4	SCREW	
6	145386390		1	PLATE	(B)

## Footnotes

- (A) USED ONLY WITH 145386520.
- (B) WAS 145386520- USE 145386390/011310616(4).



NDHK1760

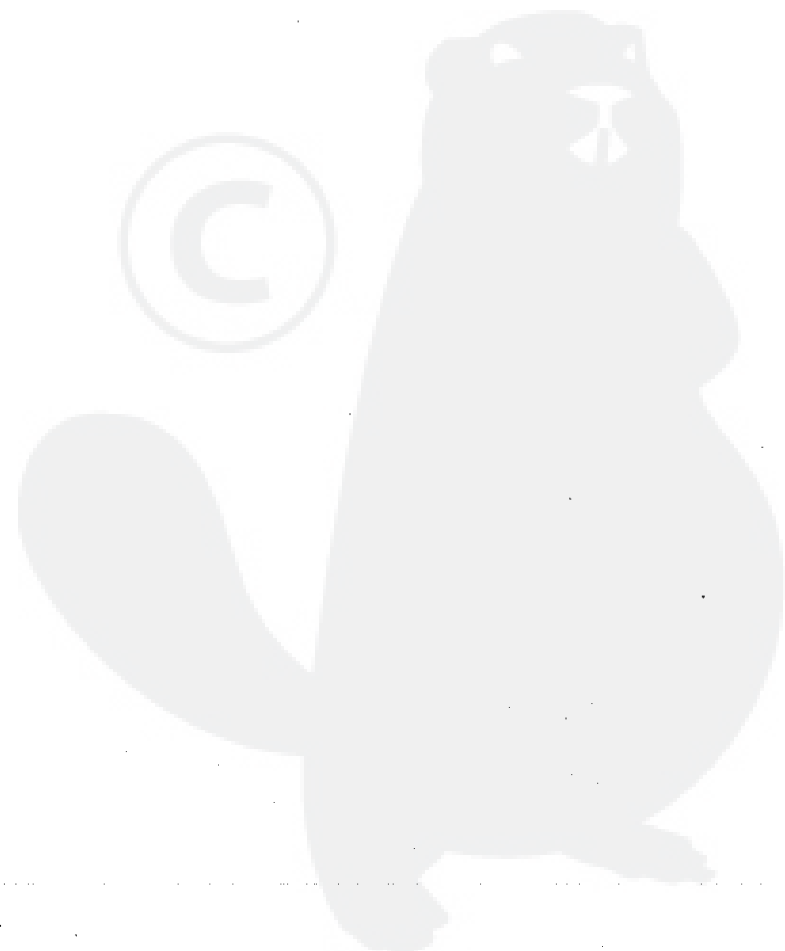


NDHK1760

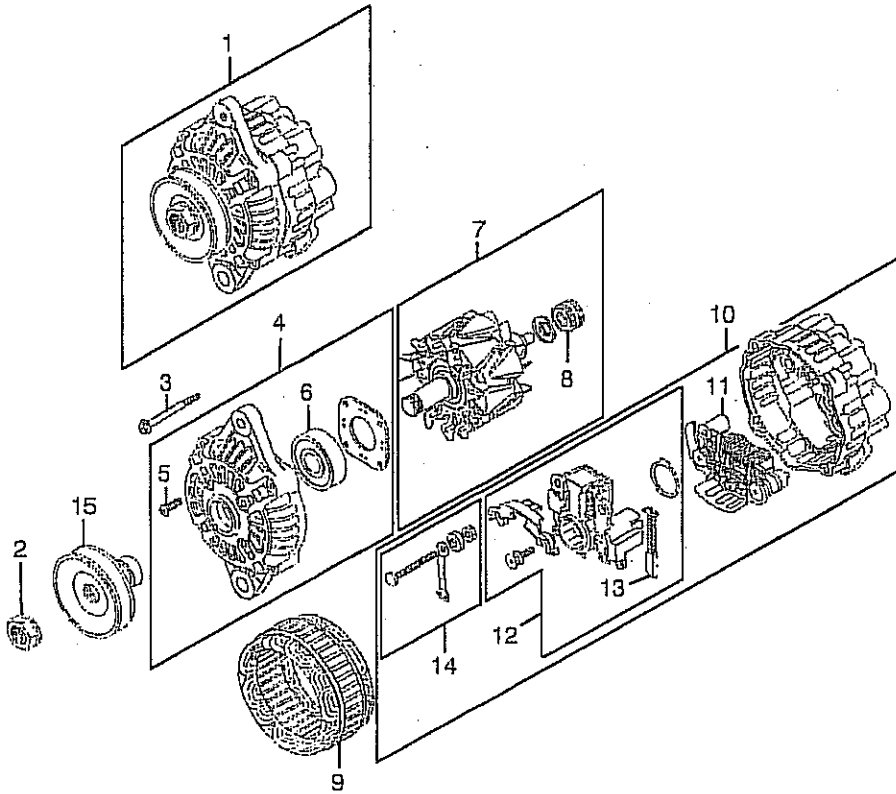
Item	Part No.	References	Qty.	Description	Notes
1	185046320	●○ 185046201 ●○ 185046200	1	ALTERNATOR	(A)
2	185976200		1	BRACKET	
3	010101035		2	SCREW	
4	020100010		2	NUT	
5	027100010		2	WASHER	
6	011300816		3	SCREW	
7	185727000	●○ 185726340	1	PLATE	
8	011300820		1	SCREW	
9	011300830		1	SCREW	(B)
10	026200008		1	WASHER	(C)
10	026109017		1	WASHER	(D)
11	080109061	●○ 080109024	1	FANBELT	

Footnotes

(A)	SEE FOLLOWING PARTS LIST FOR SERVICE COMPONENTS
(B)	WAS 011300820 USE 011300830/026109017
(C)	USED ONLY WITH 011300820
(D)	USED ONLY WITH 011300830

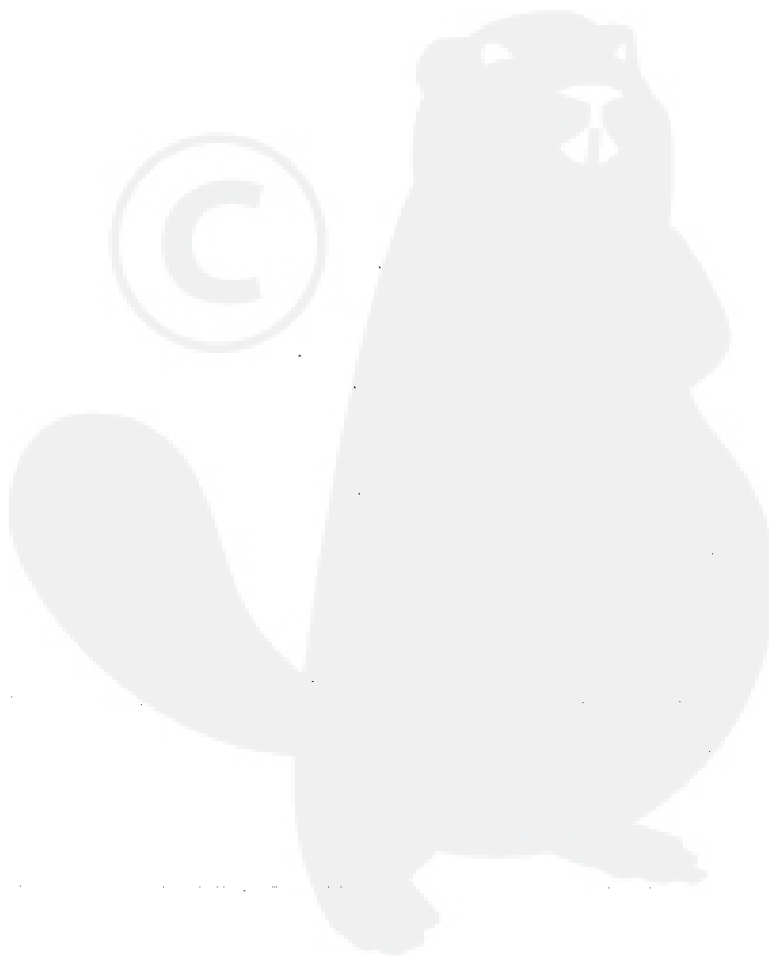


NDHK1760

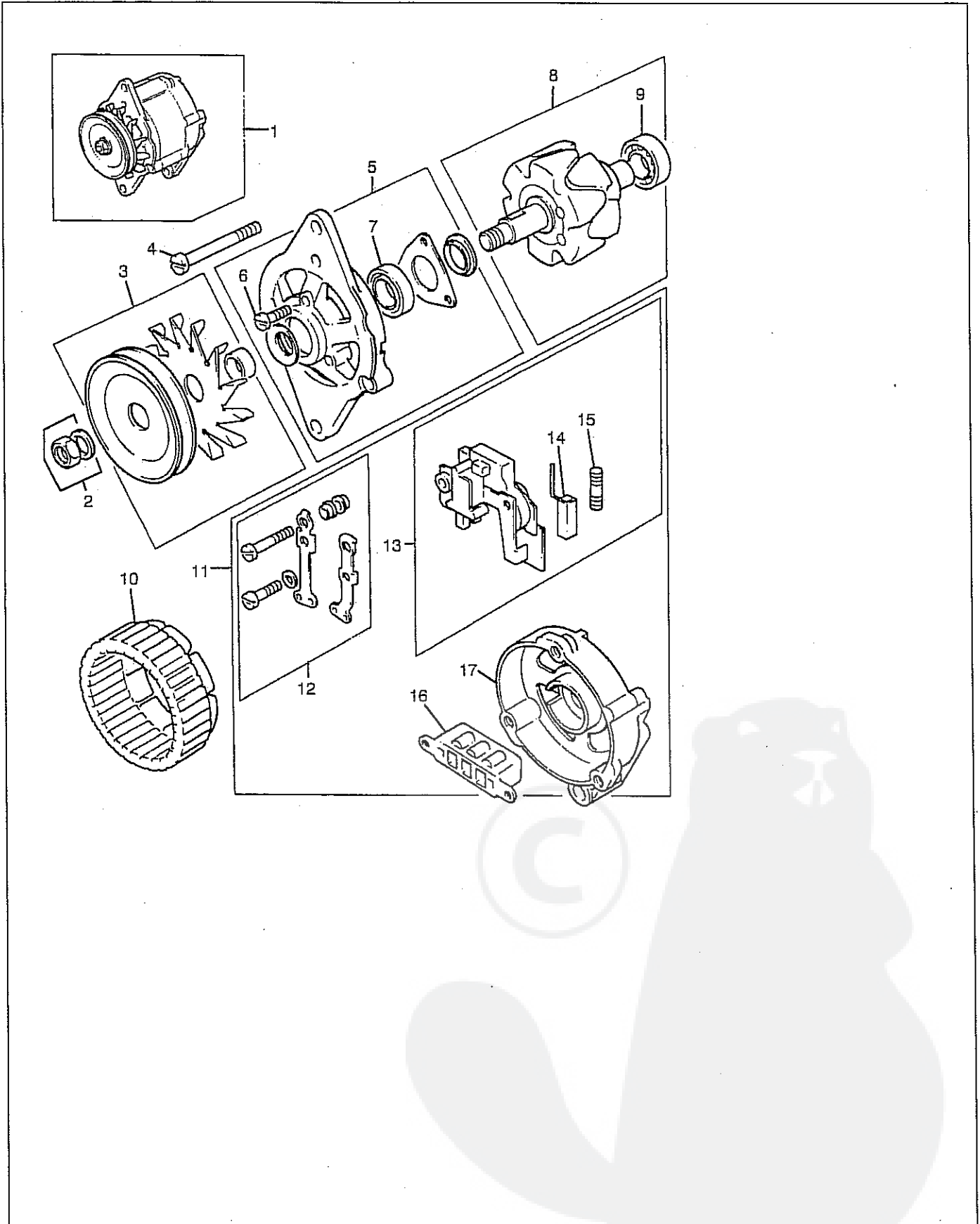


NDHK1760

Item	Part No.	References	Qty.	Description	Notes
1	185046320		1	ALTERNATOR	
2	—185446269		1	NUT	
3	—185446270		1	SCREW	
4	—185426210		1	BRACKET	
5	—185446271		1	SCREW	
6	—185446272		1	BEARING	
7	—185446273		1	ROTOR	
8	—185446274		1	BEARING	
9	—185446275		1	STATOR	
10	—185426220		1	BRACKET	
11	—185446276		1	RECTIFIER	
12	—185446277		1	REGULATOR	
13	—185416480		2	BRUSH	
14	—185446278		1	TERMINAL	
15	—185436180		1	FAN	

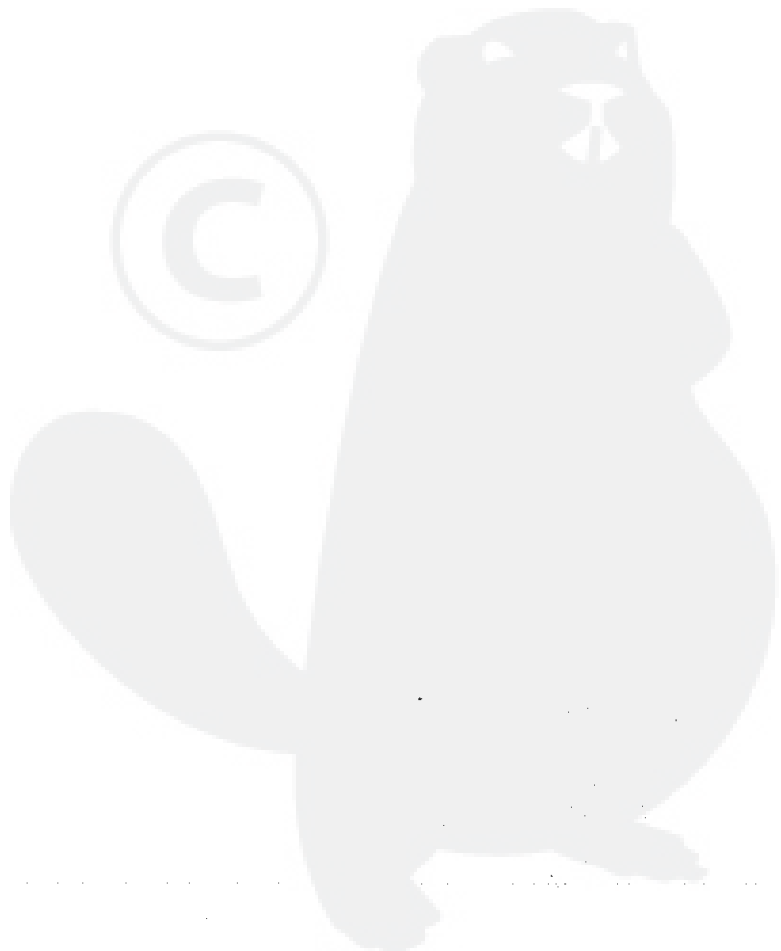


NDHK1760

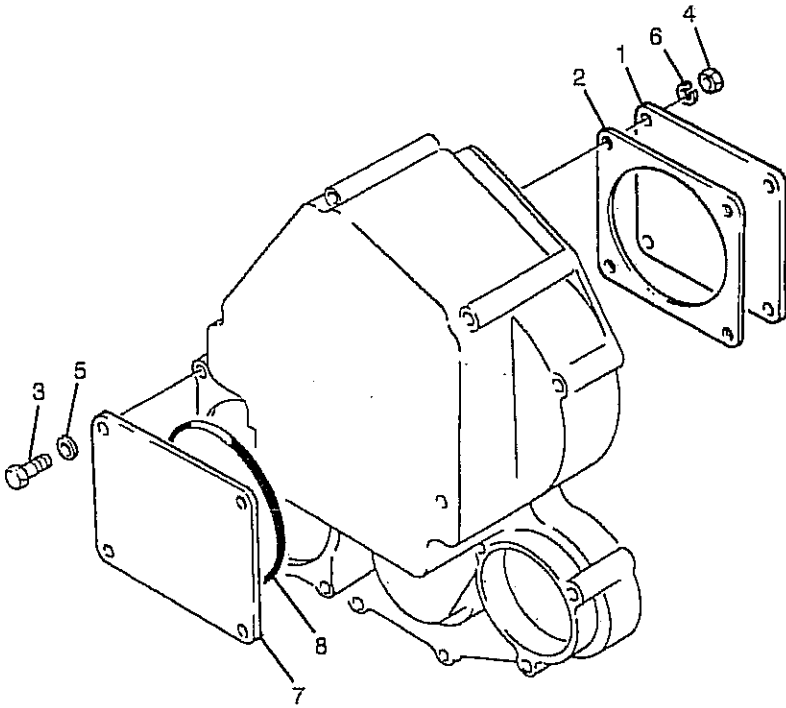


NDHK1760

Item	Part No.	References	Qty.	Description	Notes
1	185046201	●○ 185046200	1	ALTERNATOR	
2	└ 185446157		1	NUT	
3	└ 185436120		1	ALTERNATOR PULLEY	
4	└ 185446158		3	SCREW	
5	└ 185426130		1	COVER	
6	└ 185446182		3	SCREW	
7	└ 185446246	●○ 185446214	1	BEARING	
8	└ 185336252	●○ 185446183	1	ROTOR	
9	└ 185446251	●○ 185446215	1	BEARING	
10	└ 185446162		1	STATOR	
11	└ 185446140		1	STATOR	
12	└ 185446188		1	TERMINAL	
13	└ 185446187		1	REGULATOR	
14	└└ 185416300		1	BRUSH	
15	└└ 185446165		1	SPRING	
16	└ 185446216		1	RECTIFIER	
17		⇒ REF.11	1	COVER	



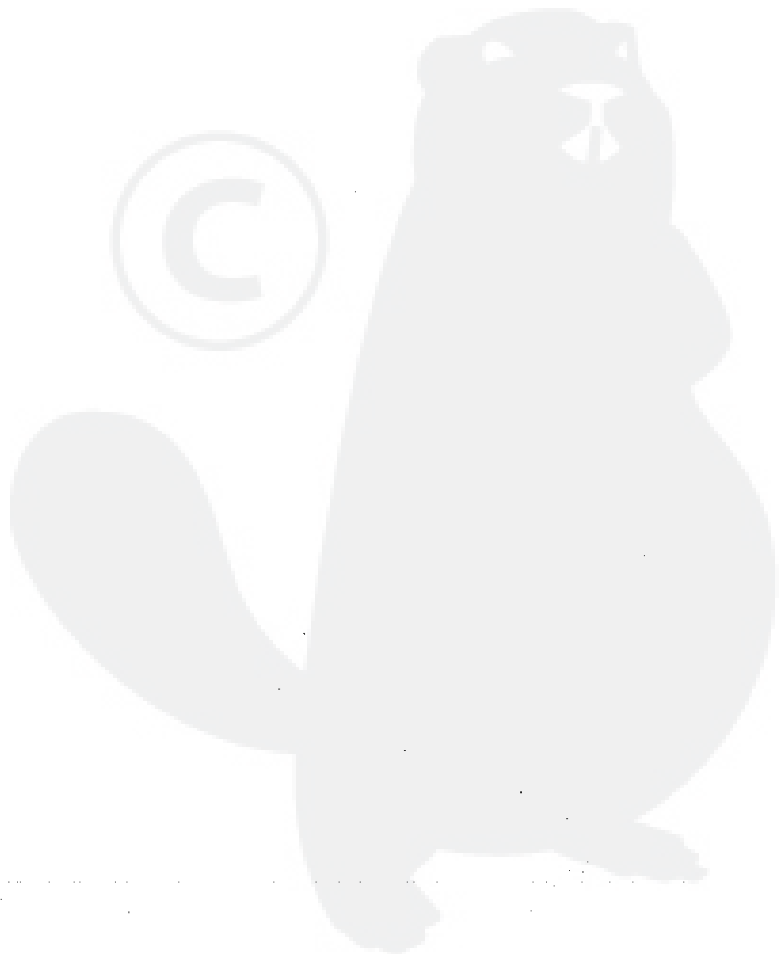
QDHK0903



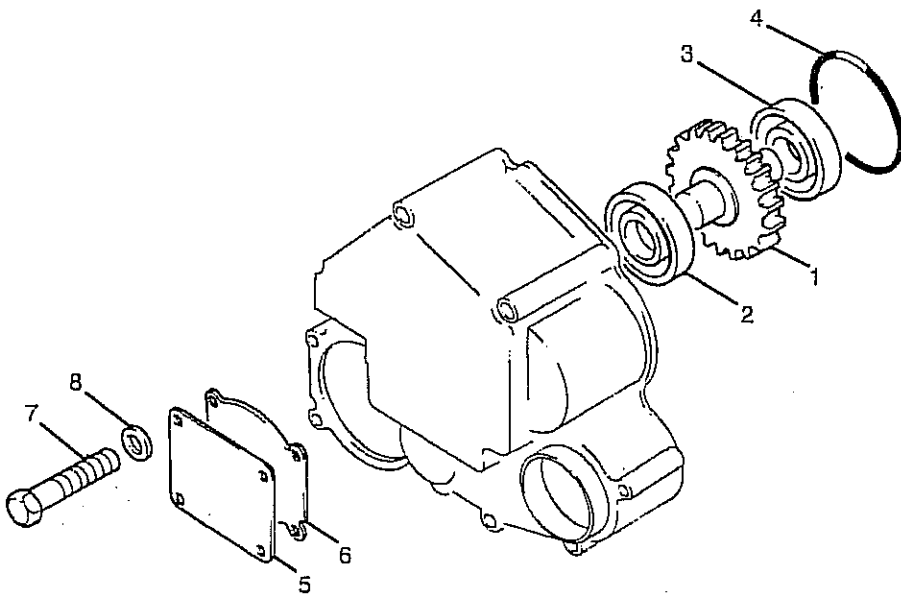


QDHK0903

Item	Part No.	References	Qty.	Description	Notes
1	165206010		1	PLATE	
2	165996110		1	JOINT	
3	011300860		4	SCREW	
4	023100008		4	NUT	
7	165206010		1	PLATE	
8	052300600		1	O RING	

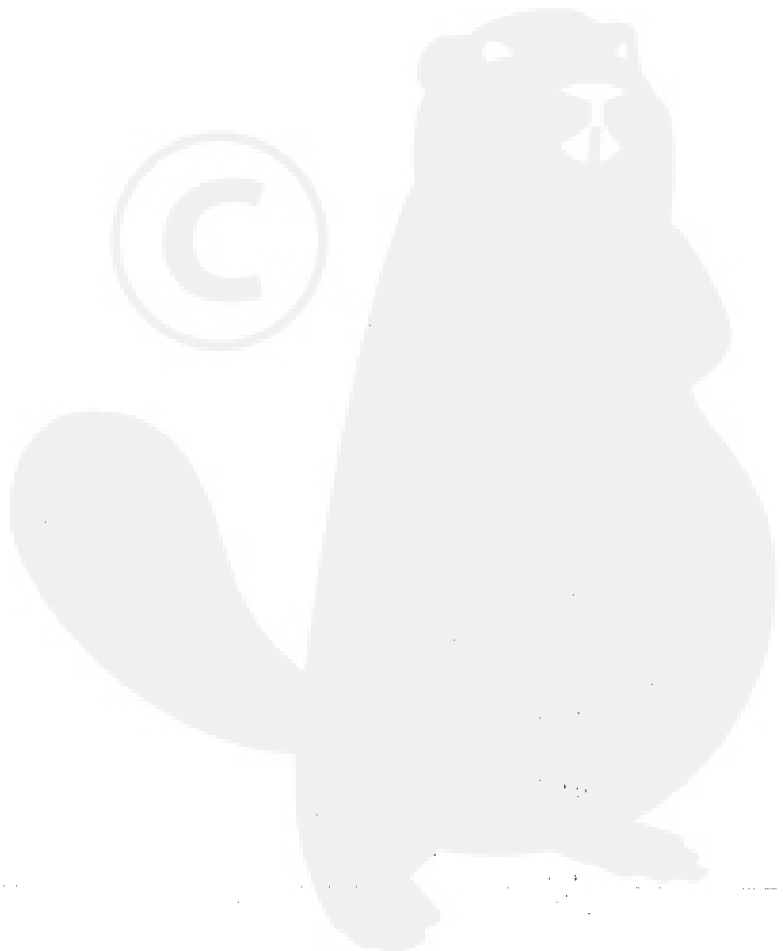
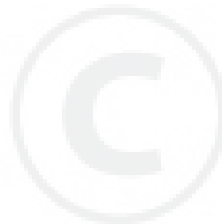


QDHK0897

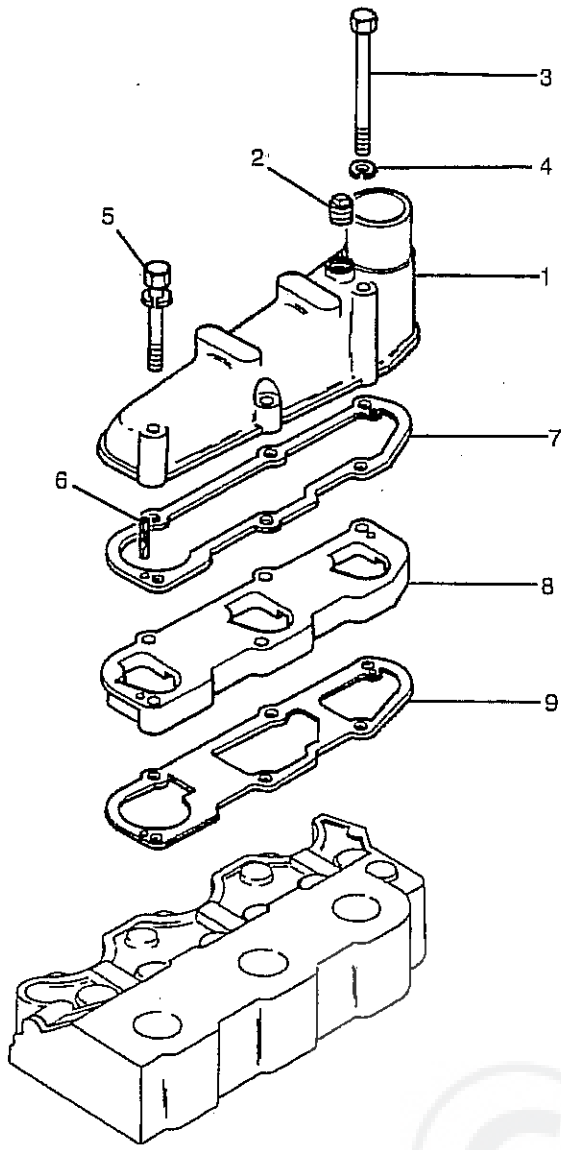


QDHK0897



Item	Part No.	References	Qty.	Description	Notes
1	340460130		1	HYDRAULIC PUMP GEAR	
2	040106004		1	BALL BEARING	
3	040136004		1	BALL BEARING	
4	052300700		1	O RING	
5	165206010		1	PLATE	
6	165996110		1	JOINT	
7	011300860		4	SCREW	
8	023100008		4	NUT	
9	052300600		1	O RING	
10	165206010		1	PLATE	



TBHK0555

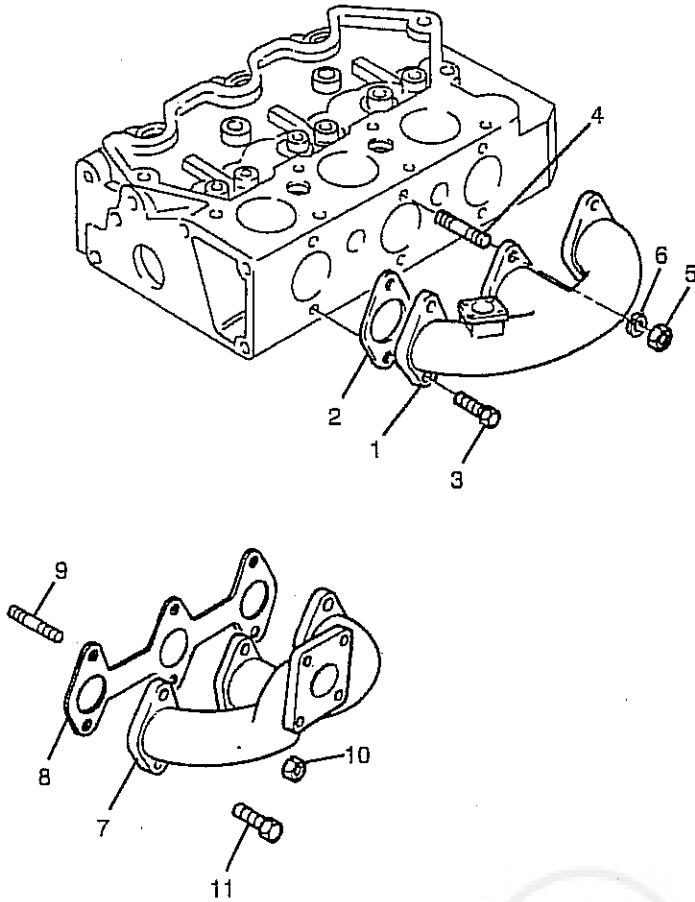


TBHK0555

Item	Part No.	References	Qty.	Description	Notes
1	135596650		1	INDUCTION MANIFOLD	
2	064500010		1	PLUG	
3	010109119		2	BOLT	
4	027100006		2	WASHER	
5	011300660		4	SCREW	
6	030300414		2	PIN	
7	135996860	 b.	1	INLET MANIFOLD JOINT	
8	135597040	●○ 135596501	1	SPACER	
		●○ 135996501			
9	135996810	 a.	1	INLET MANIFOLD JOINT	
<b>History</b>					
<b>a.</b>					
9	135996680	●○ 135996471	1	JOINT	
<b>b.</b>					
7	135996451		1	GASKET	



UBHK0347

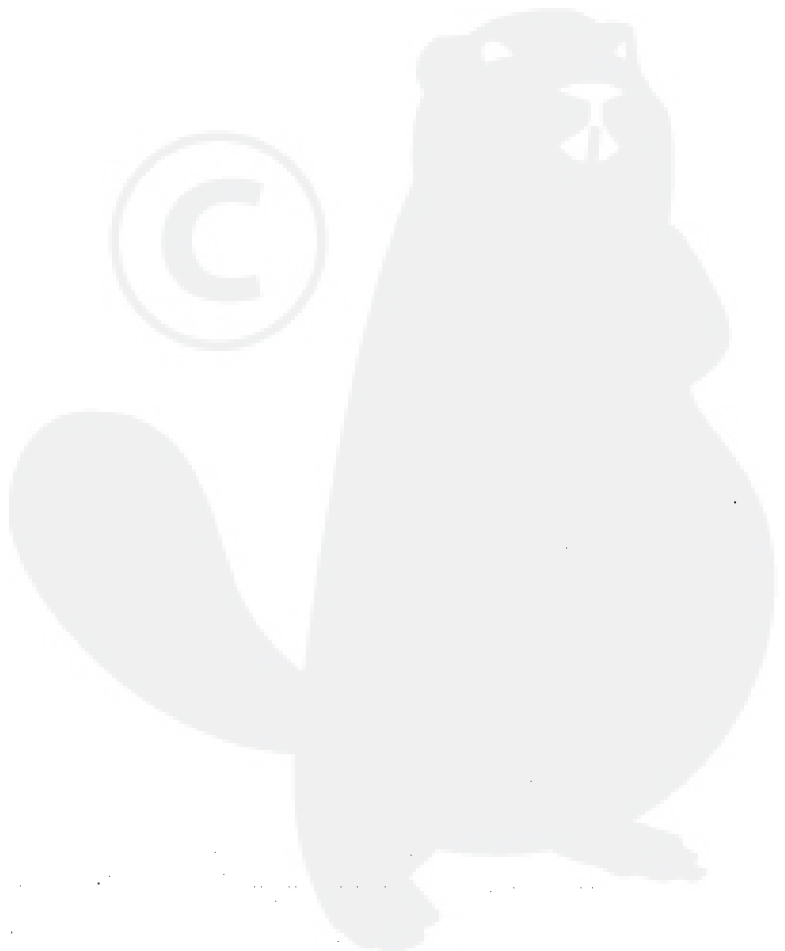


UBHK0347

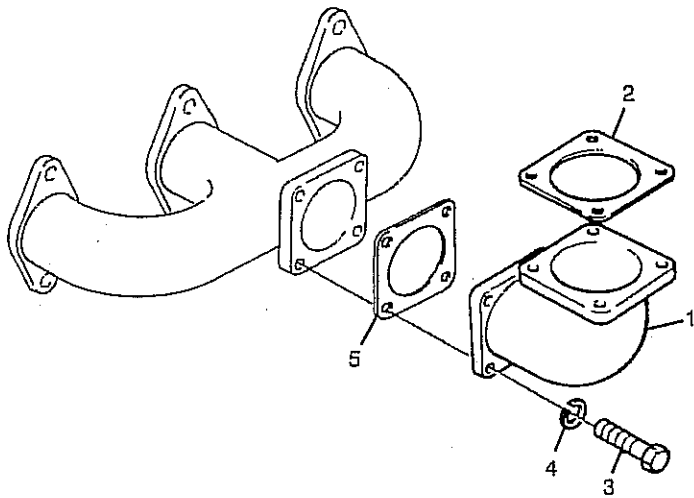
Item	Part No.	References	Qty.	Description	Notes
1	135616400		1	EXHAUST MANIFOLD	(A)
7	135616600		1	EXHAUST MANIFOLD	
8	135996590	●○ 135996461	1	EXHAUST MANIFOLD GASKET	
9	012110625		2	STUD	
10	023100006		2	NUT	
11	011310625		4	SCREW	

Footnotes

(A) USED ONLY WITH KH70247



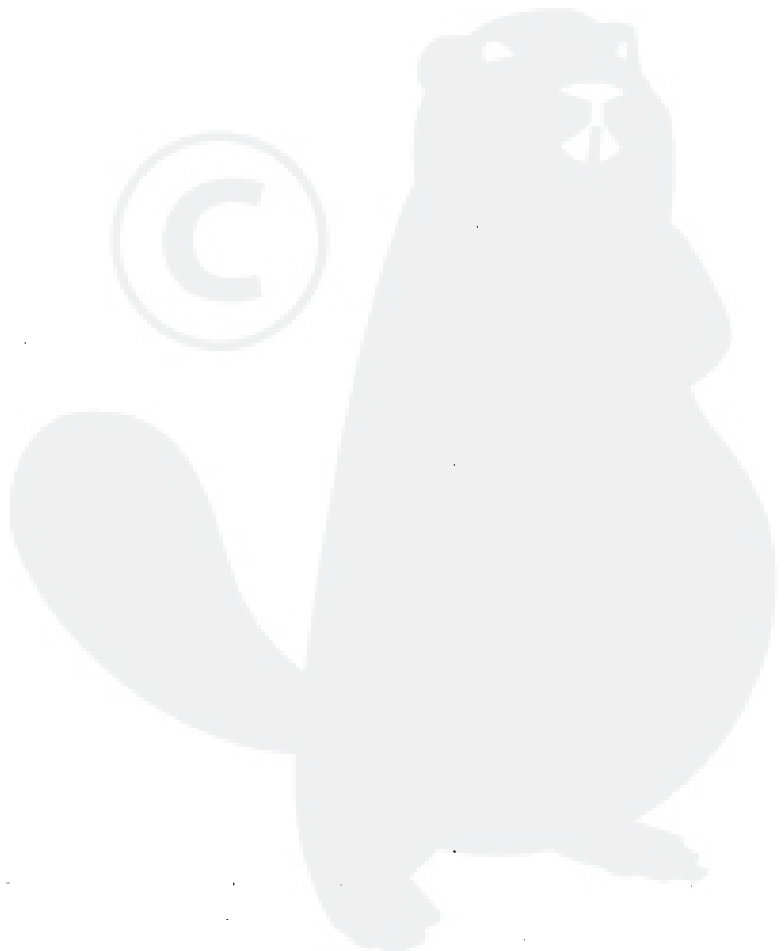
UDHK0404



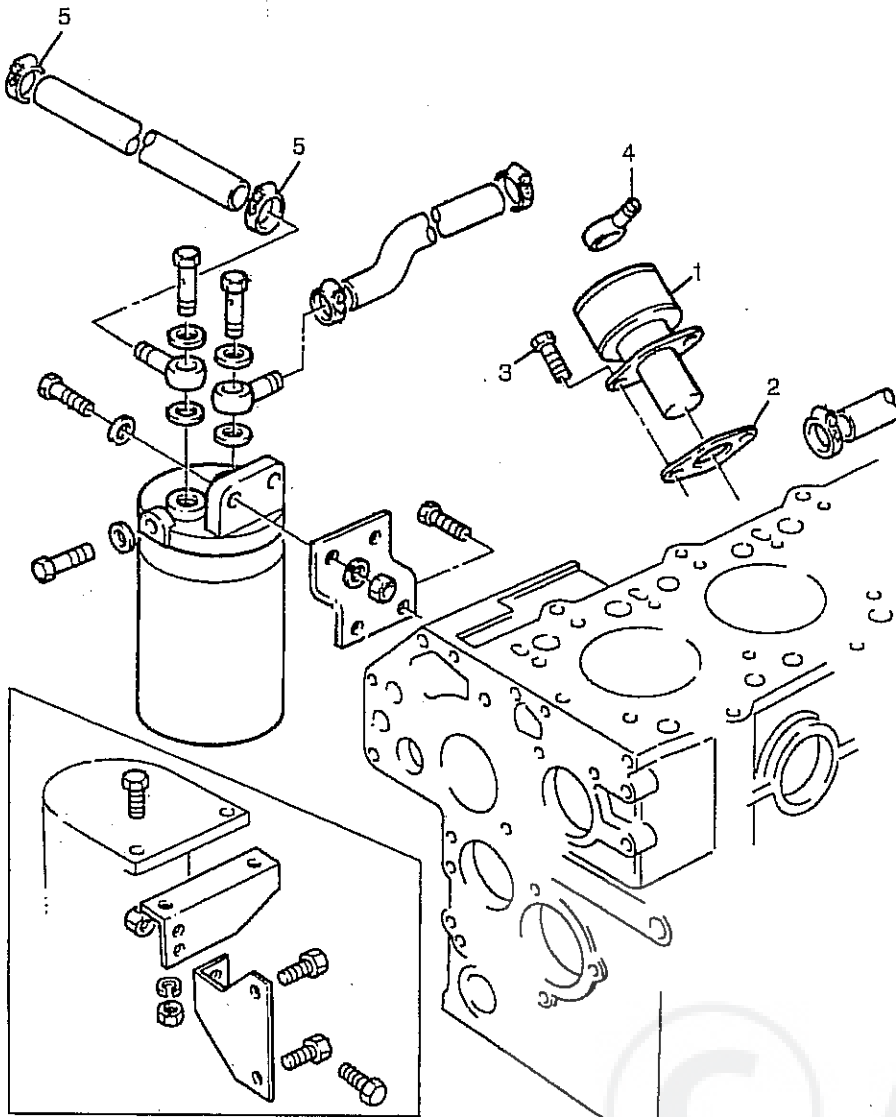


UDHK0404


Item	Part No.	References	Qty.	Description	Notes
1	135616520		1	ELBOW	
2	314990013	●○ 314990012	1	JOINT	
3	010110822		4	SCREW	
4	027100008		4	WASHER	



VBHK1393



VBHK1393

Item	Part No.	References	Qty.	Description	Notes
1	130506140		1	LIFT PUMP	(A)
2	130996130	 a.	1	JOINT	
3	011300616		2	SCREW	
4	198486840		2	CONNECTION.	
5	398750430		2	CLIP	

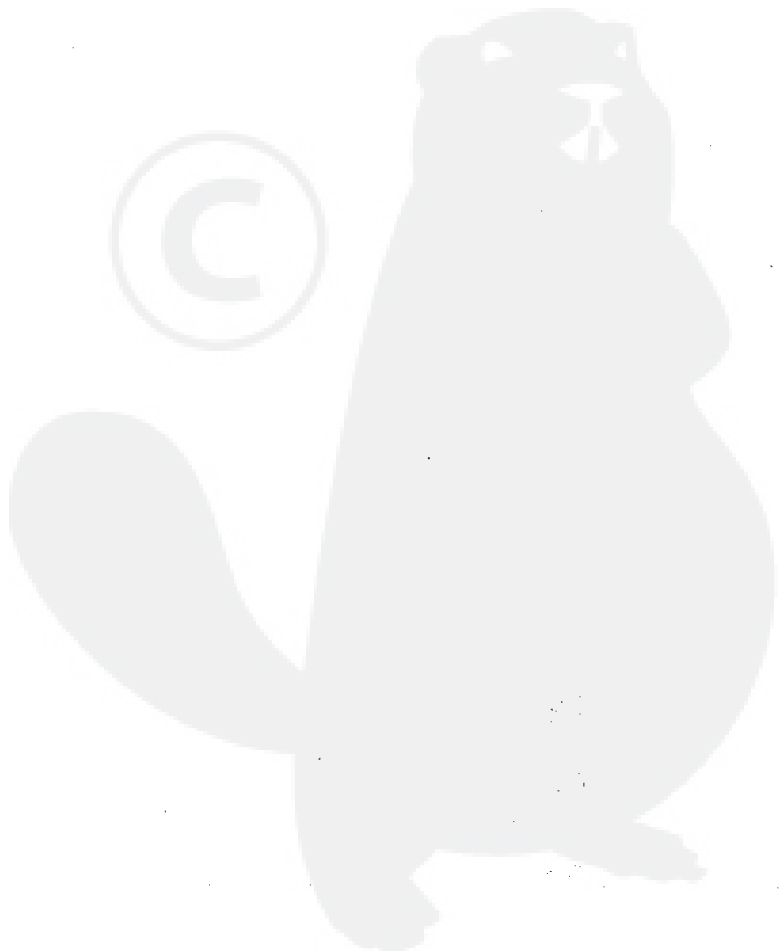
**History**

a.

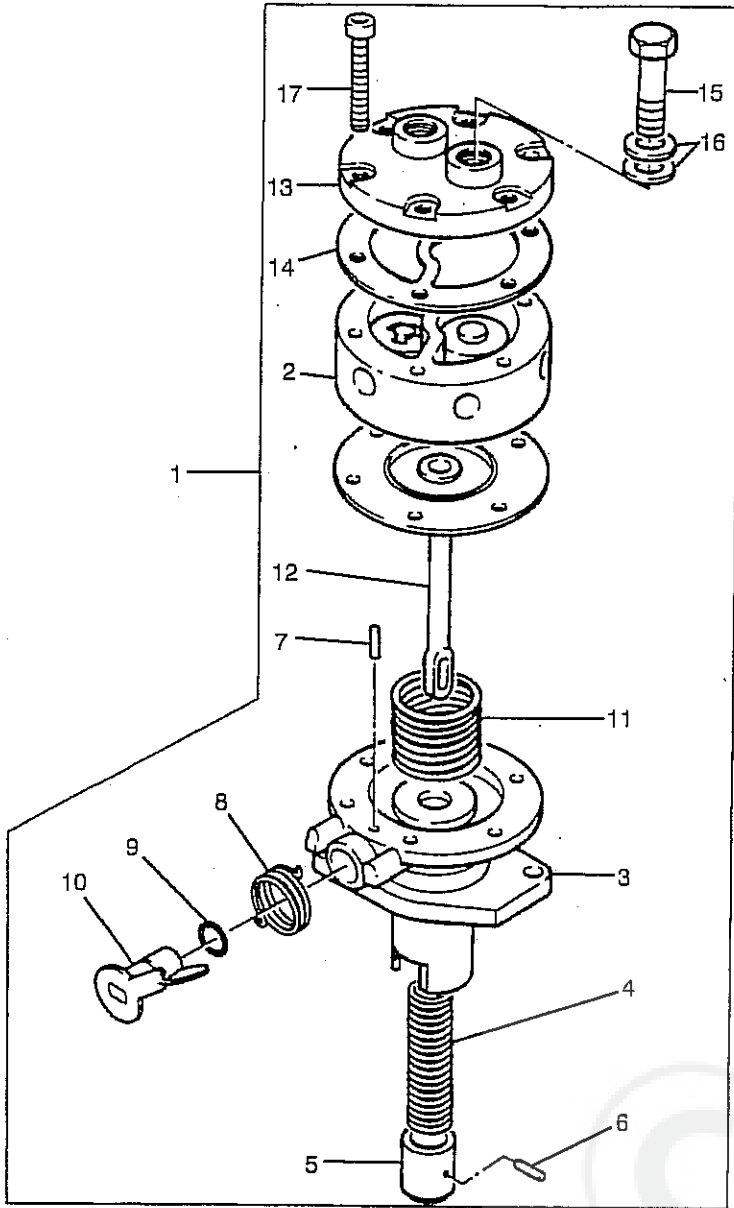
2	130996070		1	JOINT	
---	-----------	--	---	-------	--

**Footnotes**

(A)	SEE FOLLOWING PARTS LIST FOR SERVICE COMPONENTS
-----	---

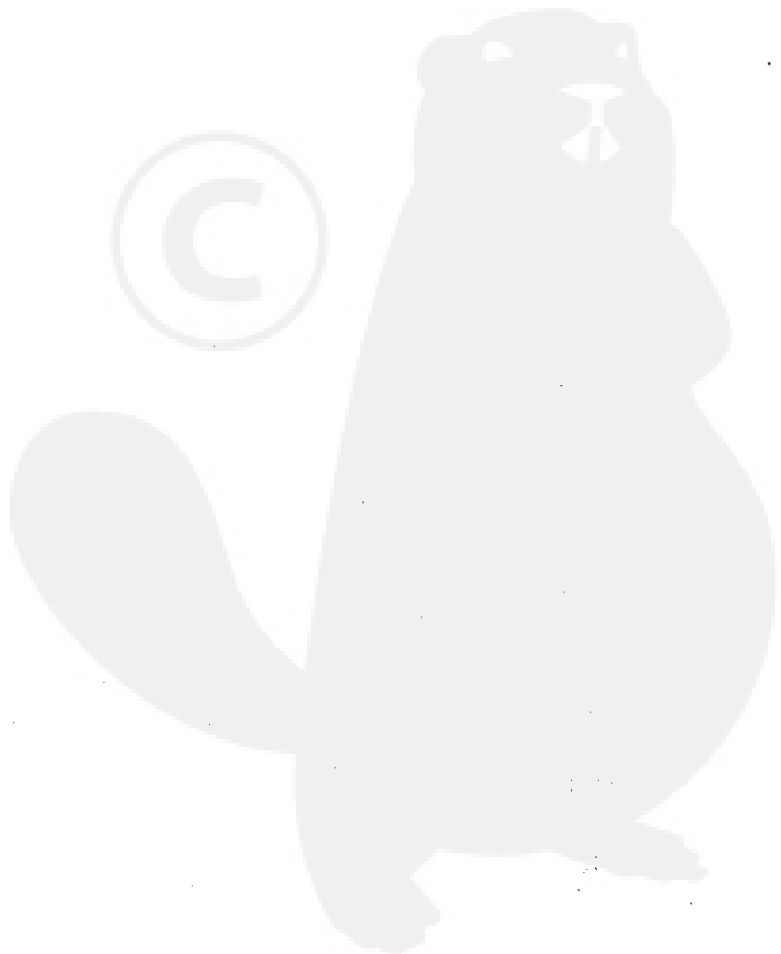


VBHK1393

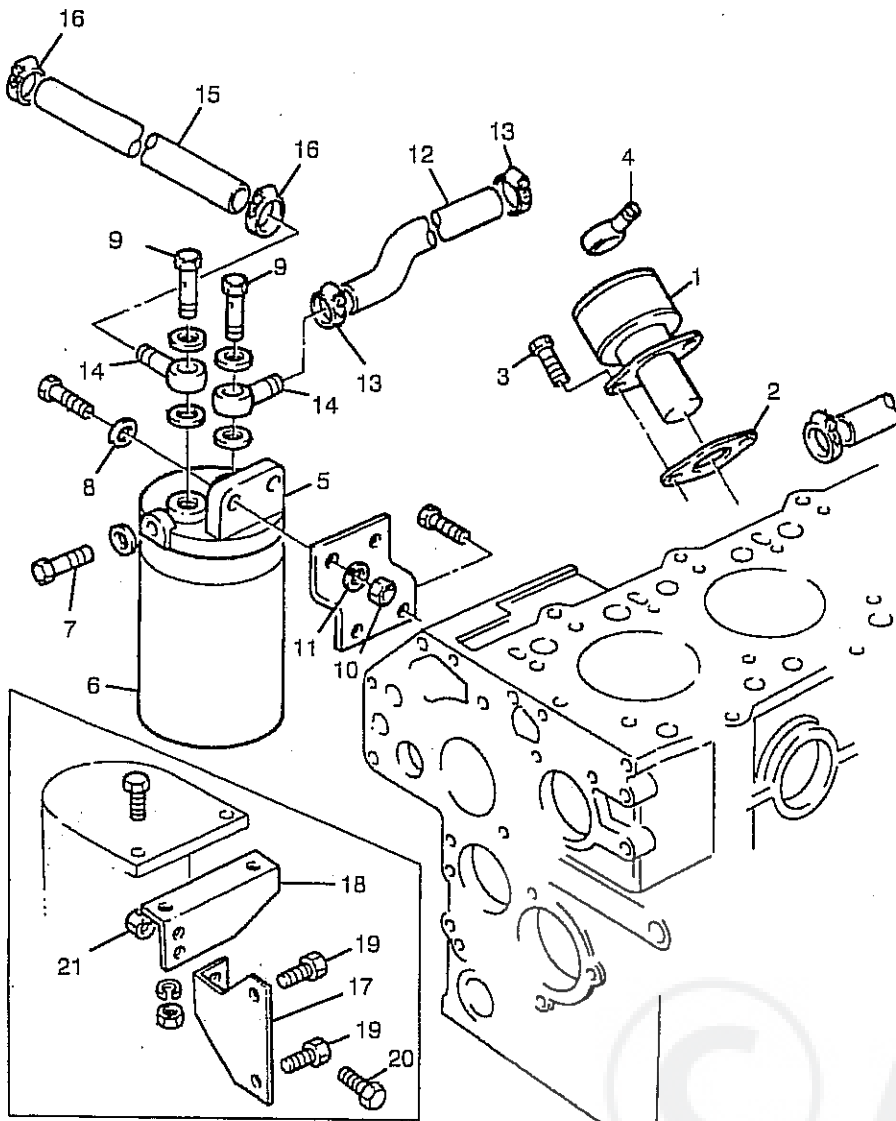


VBHK1393






Item	Part No.	References	Qty.	Description	Notes
1	130506140		1	LIFT PUMP	
2	—	⇒ REF.1	1	BODY	
3	—130516080		1	BODY	
4	—130516081		1	SPRING	
5	—130516082		1	PLUNGER	
6	—130516085		1	PIN	
7	—130516088		1	PIN	
8	—130516083		1	SPRING	
9	—131226180		1	O RING	
10	—130516086		1	LEVER	
11	—130516087		1	SPRING	
12	—130516084		1	DIAPHRAGM	
13	—130516090		1	CAP	
14	—130516089		1	GASKET	
15	—130516092		2	BOLT	
16	—130516069		4	WASHER	
17	—130516091		6	SCREW	



VBHK1408



VBHK1408

Item	Part No.	References	Qty.	Description	Notes
1	130506140		1	LIFT PUMP	(A)
2	130996130	 a.	1	JOINT	
3	011300616		2	SCREW	
4	198486840		2	CONNECTION	
5	130306190	● 130306021	1	FUEL FILTER ASSEMBLY	
6	— 130326051	 b.	1	WASHER	
7	— 130326051	 b.	1	WASHER	
8	— 130326051	 b.	1	WASHER	
9	— 130326051	 b.	1	WASHER	
10	020100010		2	NUT	
11	027100010		2	WASHER	
12	068209084		1	HOSE	
13	067100015		2	CLIP	
14	131246240	● 131246090	2	CONNECTION	
15	068209126		1	FUEL PIPE	
16	067100015		2	CLIP	
17	130976260		1	BRACKET	
18	130976250		1	STAY	
19	011310816		2	SCREW	
20	011300820		2	SCREW	
21	023100008		2	NUT	

History

a.

2	130996070		1	JOINT
---	-----------	--	---	-------

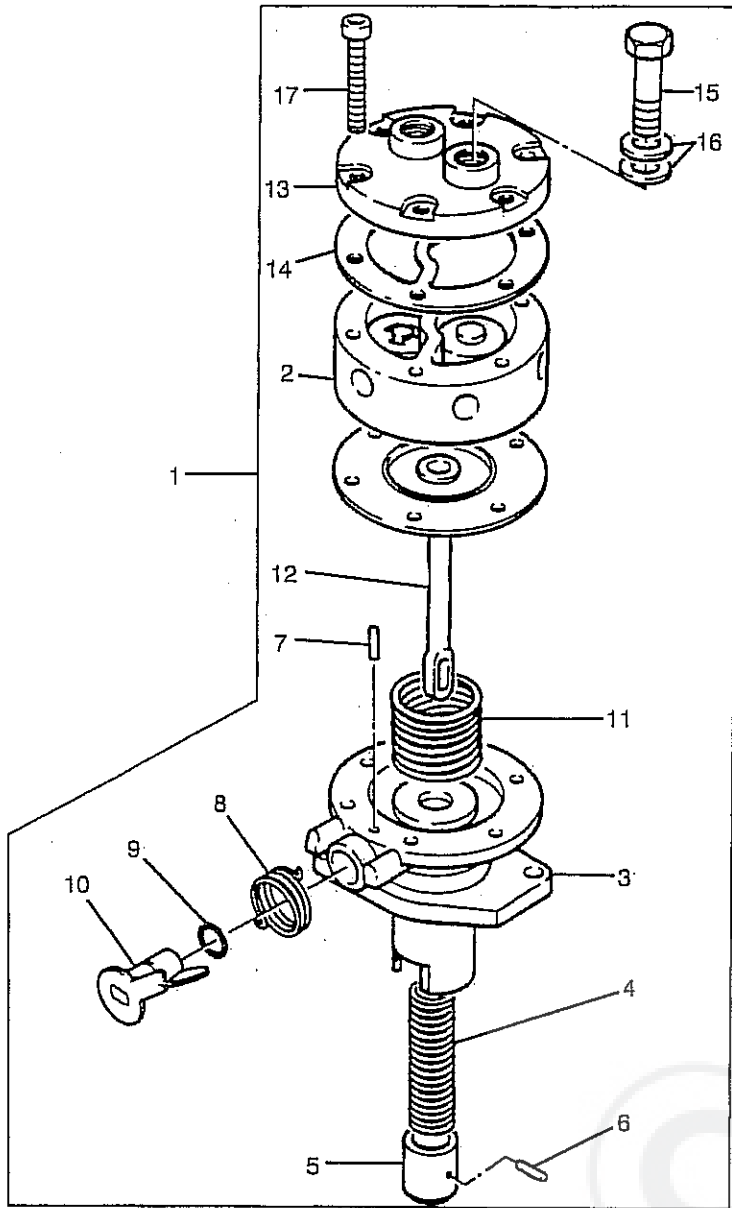
b. General History Section

6	— 130366020		1	FUEL FILTER ELEMENT
7	— 130396030		1	PLUG
8	— 026100010		2	WASHER
9	— 130436011		2	BOLT
	— 130326051		5	WASHER

Footnotes

(A) SEE FOLLOWING PARTS LIST FOR SERVICE COMPONENTS

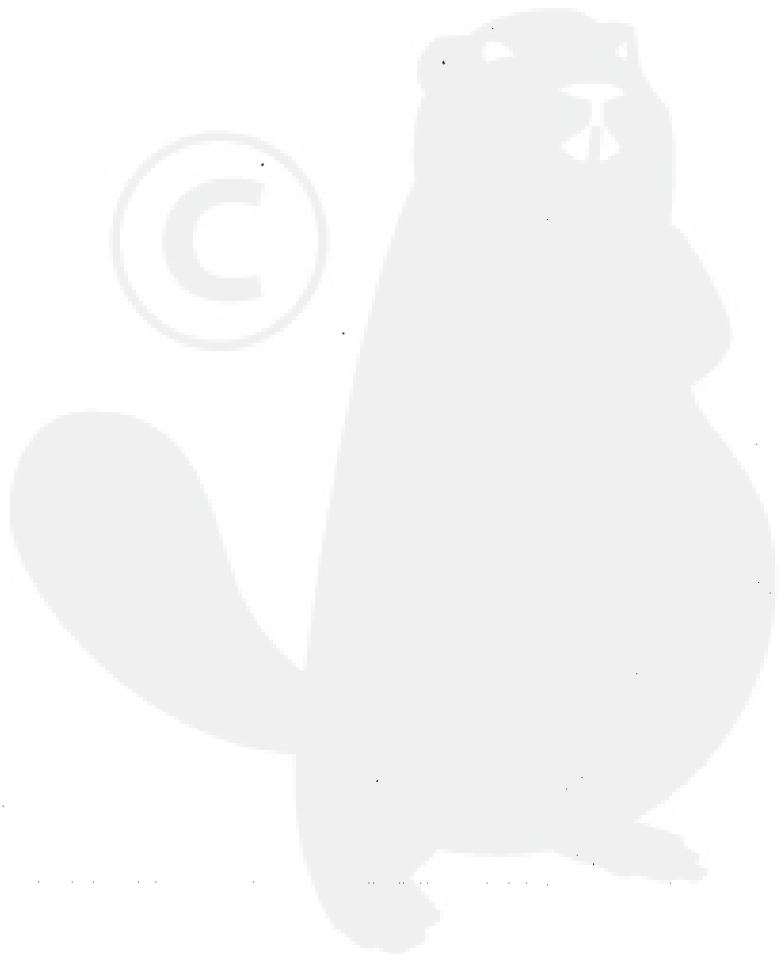
VBHK1408



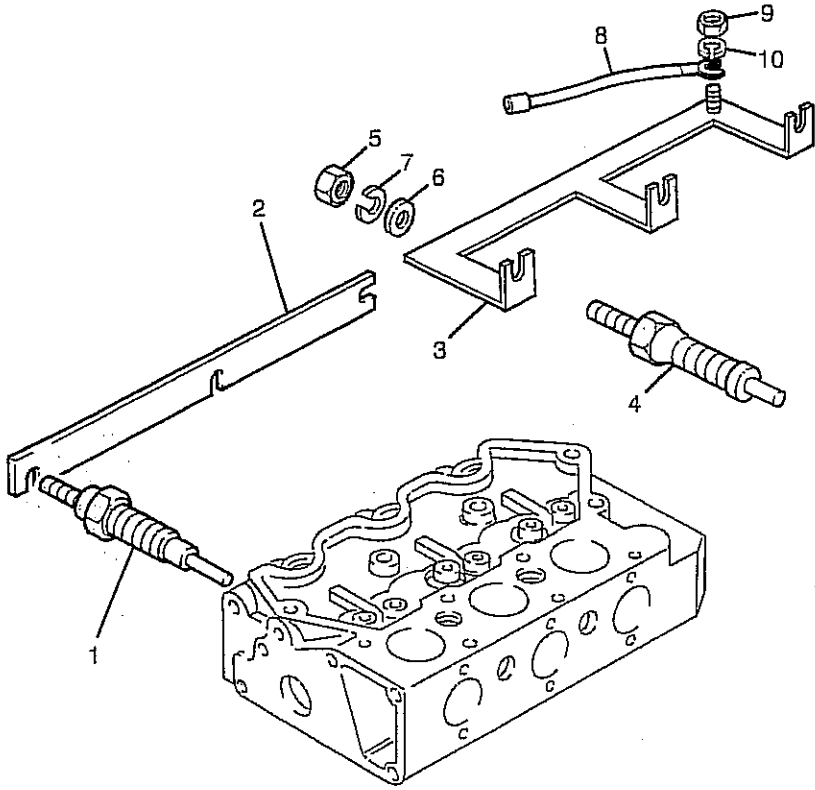


VBHK1408

Item	Part No.	References	Qty.	Description	Notes
1	130506140		1	LIFT PUMP	
2	—	⇒ REF.1	1	BODY	
3	—130516080		1	BODY	
4	—130516081		1	SPRING	
5	—130516082		1	PLUNGER	
6	—130516085		1	PIN	
7	—130516088		1	PIN	
8	—130516083		1	SPRING	
9	—131226180		1	O RING	
10	—130516086		1	LEVER	
11	—130516087		1	SPRING	
12	—130516084		1	DIAPHRAGM	
13	—130516090		1	CAP	
14	—130516089		1	GASKET	
15	—130516092		2	BOLT	
16	—130516069		4	WASHER	
17	—130516091		6	SCREW	

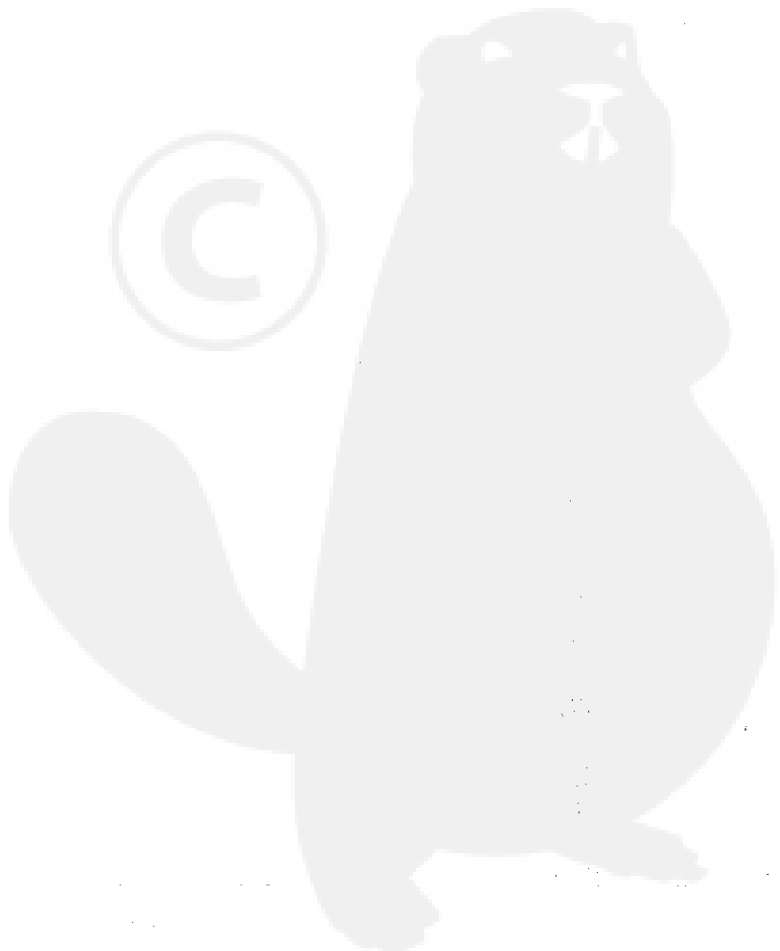


WDHK0195

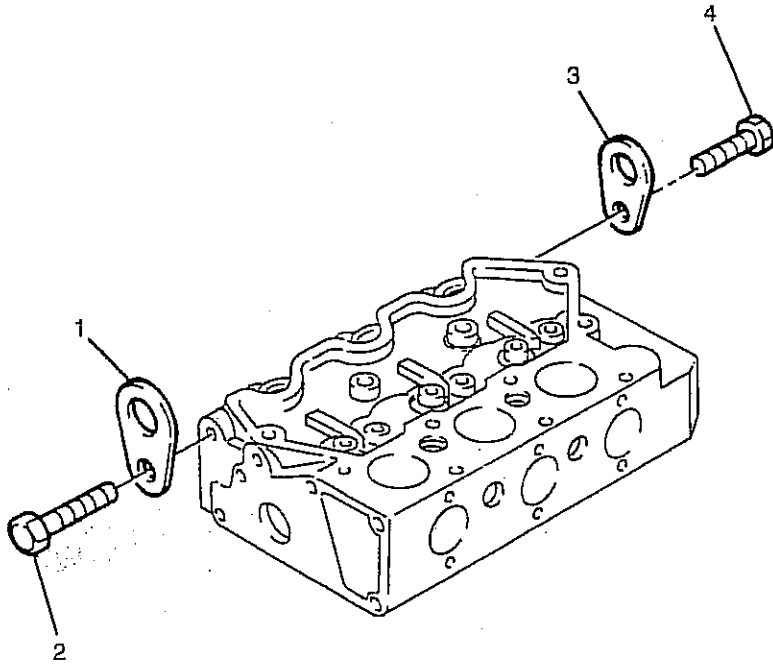


WDHK0195

Item	Part No.	References	Qty.	Description	Notes
3	185376140		1	CONNECTOR	
4	185366190	● 185366060	3	GLOW PLUG	
5	┌ ├ └	⇒ REF.4	1	NUT	
6		⇒ REF.4	1	WASHER	
7		⇒ REF.NO.4	1	WASHER	
8	185606170		1	CABLE	
9	020100004		1	NUT	(A)
10	027100004		1	WASHER	
<b>Footnotes</b>					
(A)	ALTERNATOR				

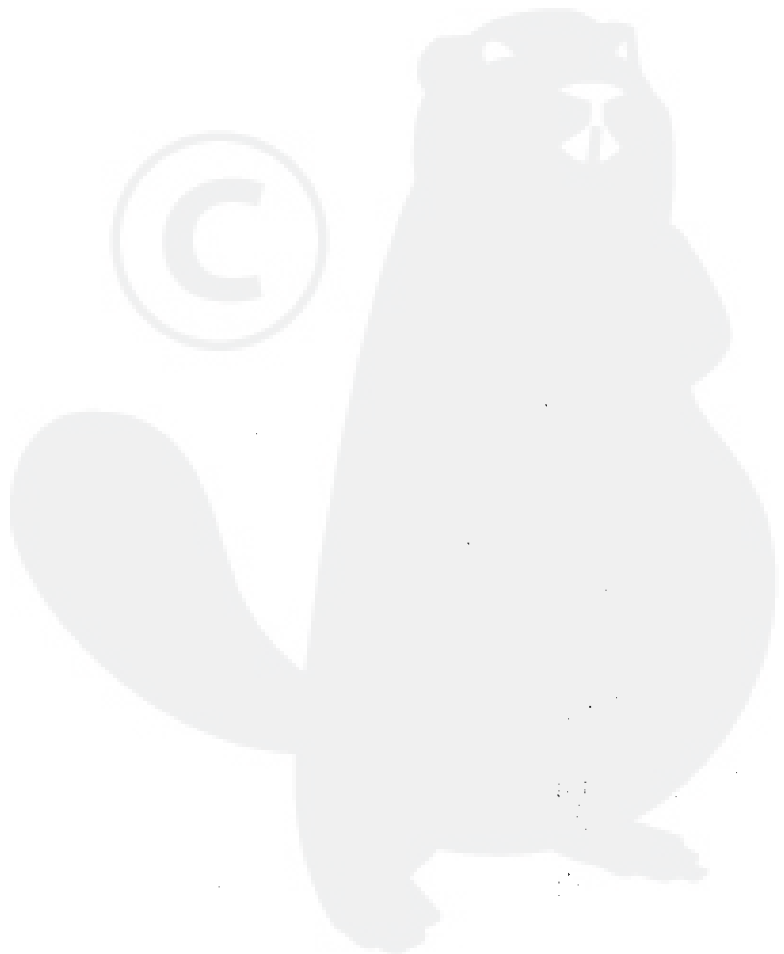


XBHK0308

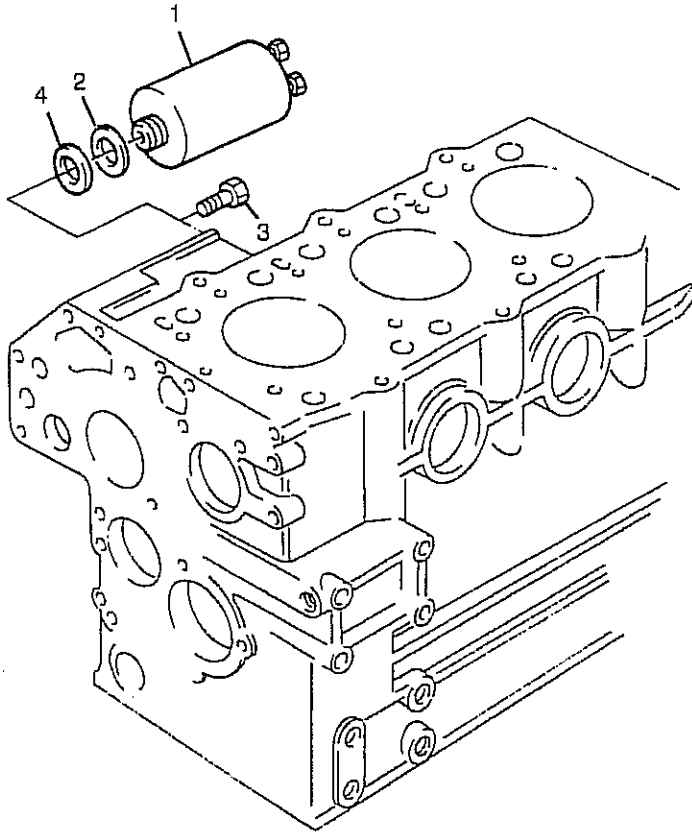


XBHK0308

Item	Part No.	References	Qty.	Description	Notes
1	195816200		1	PLATE	
2	011310816		1	SCREW	
3	195816200		1	PLATE	
4	011310816		1	SCREW	

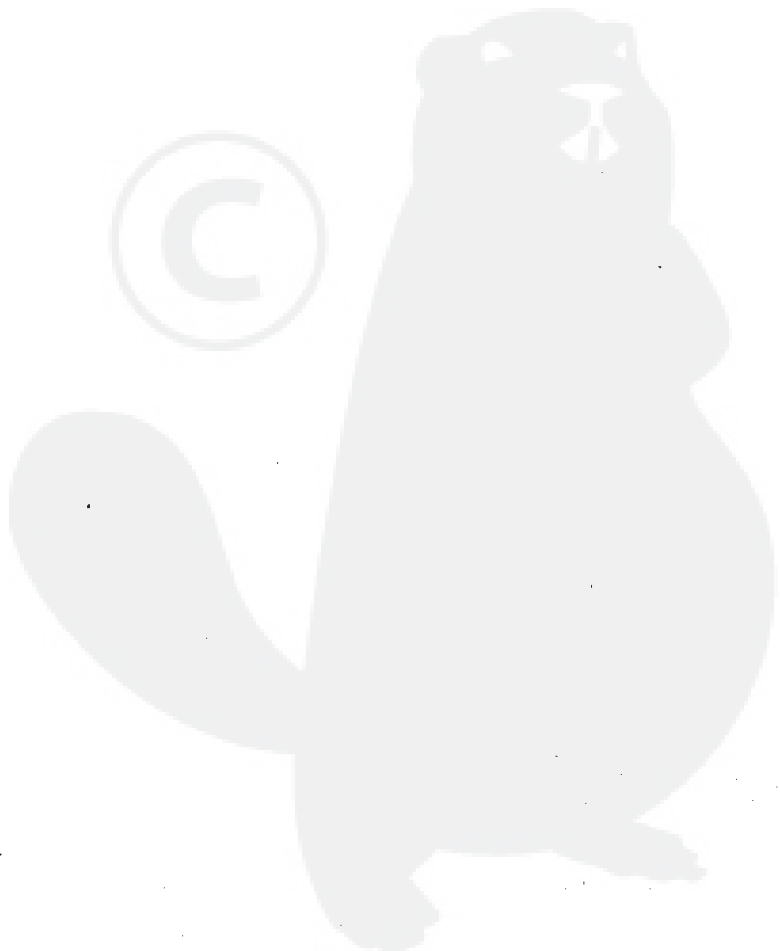


ZAHK0519

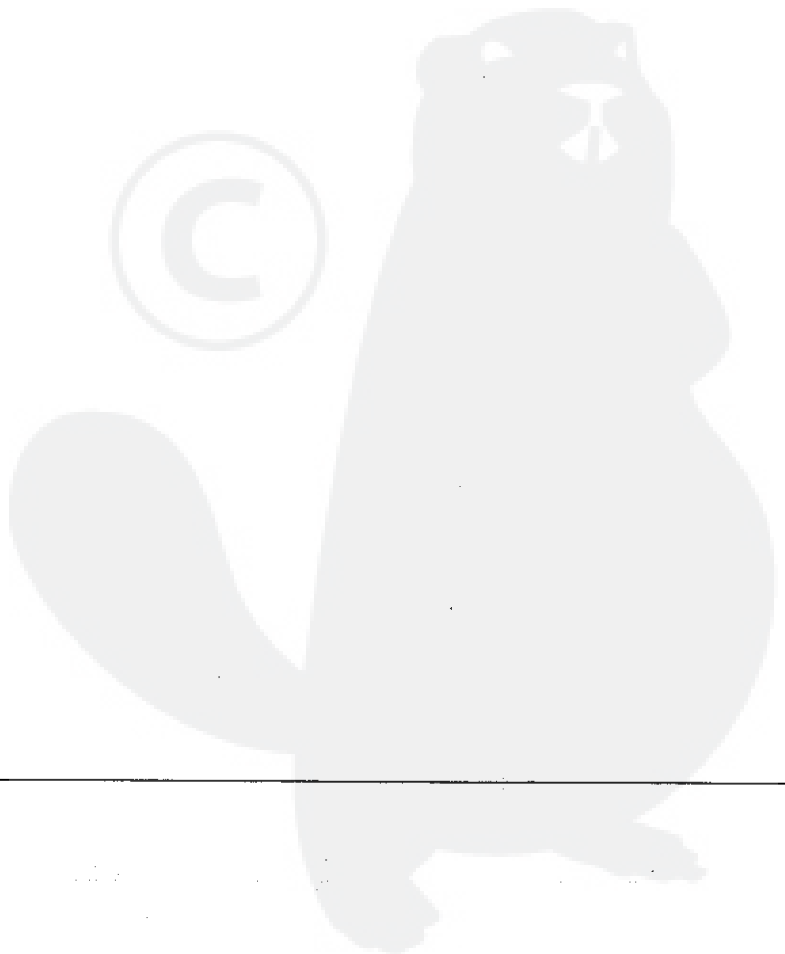
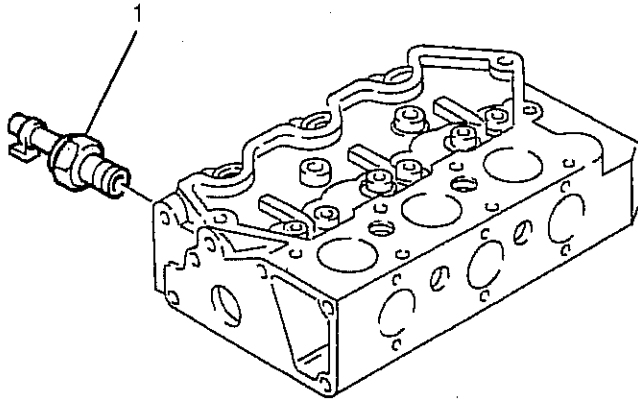


ZAHK0519

Item	Part No.	References	Qty.	Description	Notes
1	185206083	<ul style="list-style-type: none"> <li>●○ 185206082</li> <li>●○ 185206081</li> </ul>	1	SOLENOID	
2	025100016		1	WASHER	



ZJHK0404



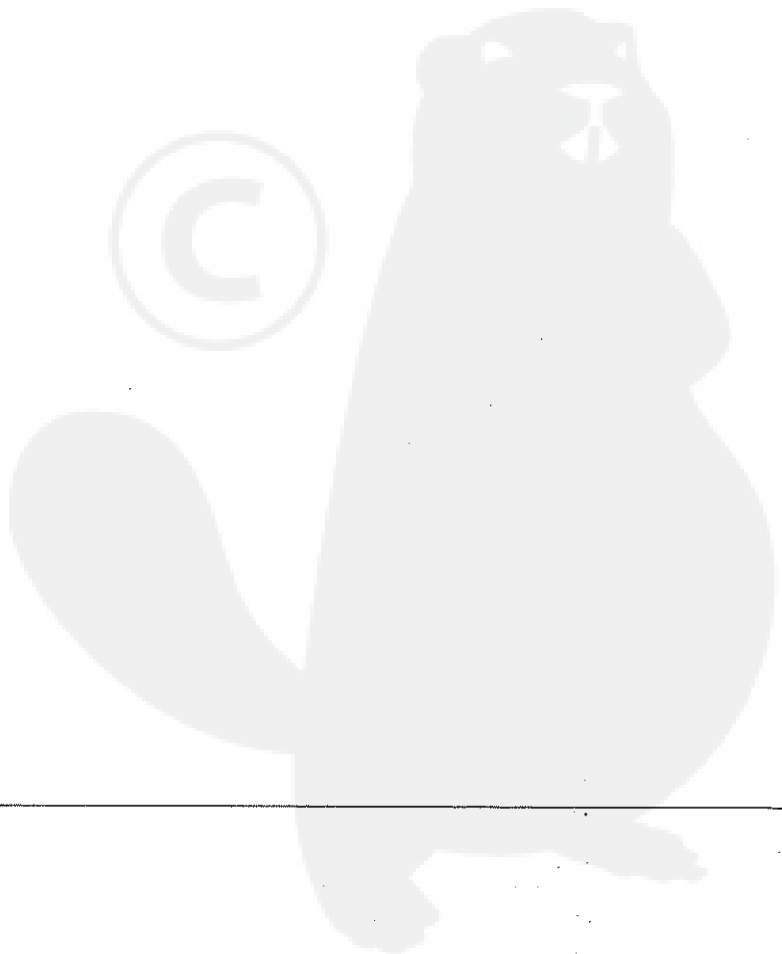


Lub. Oil Pressure Switch & Gauge

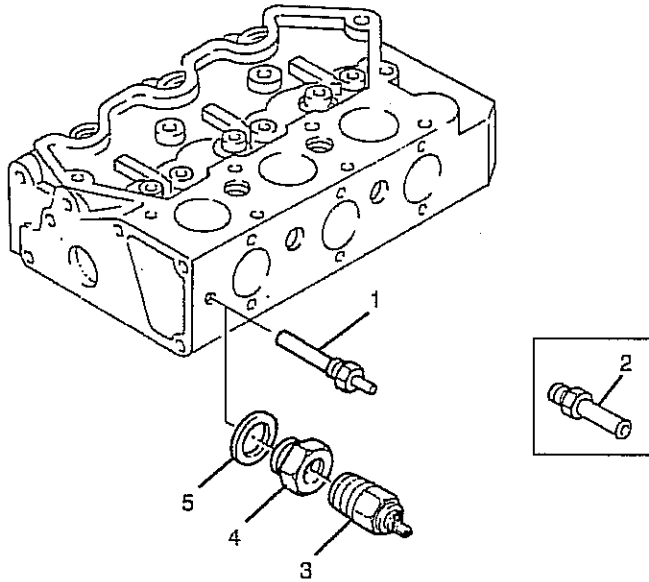
Plate A

ZJHK0404

Item	Part No.	References	Qty.	Description	Notes
1	185246060		1	SWITCH	

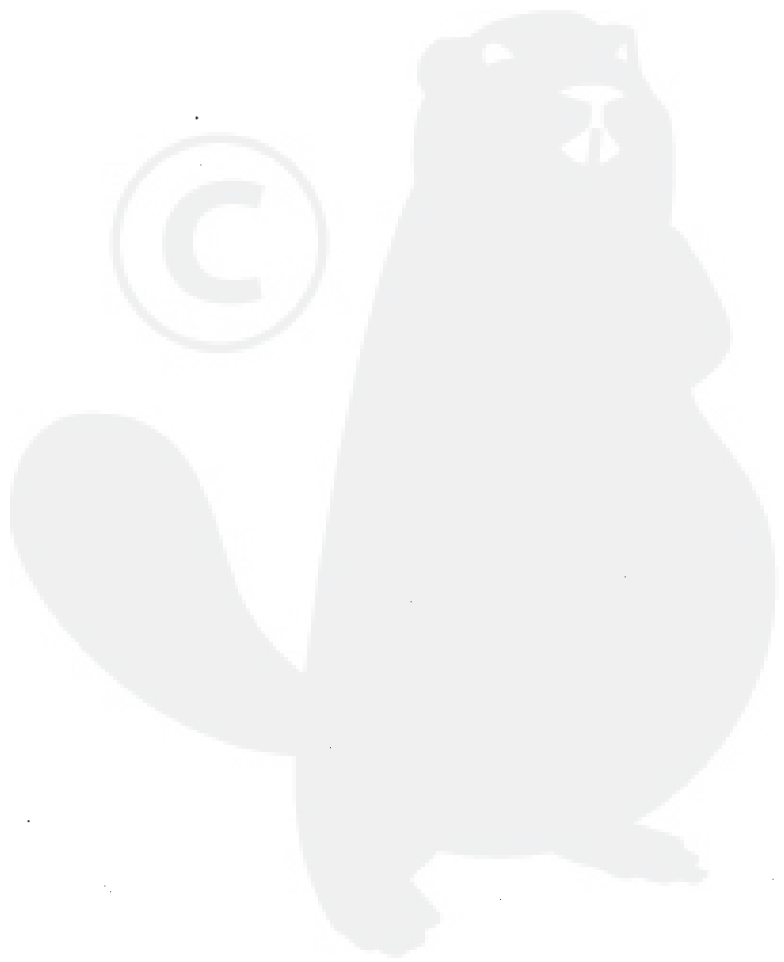


ZLHK0180

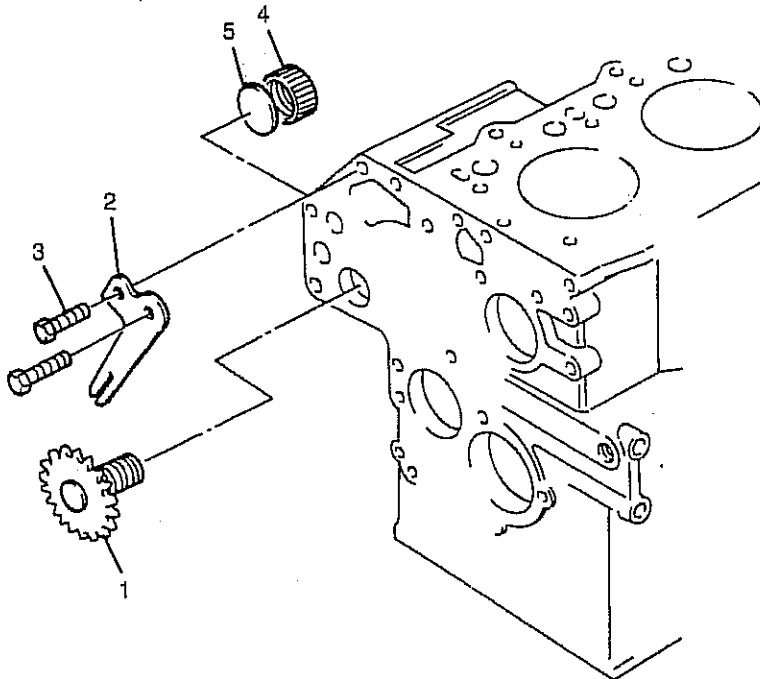


ZLHK0180


Item	Part No.	References	Qty.	Description	Notes
1	385720230	<ul style="list-style-type: none"> <li>●○ 385720231</li> <li>●○ 385720230</li> <li>●○ 385720101</li> </ul>	1	SENDER	

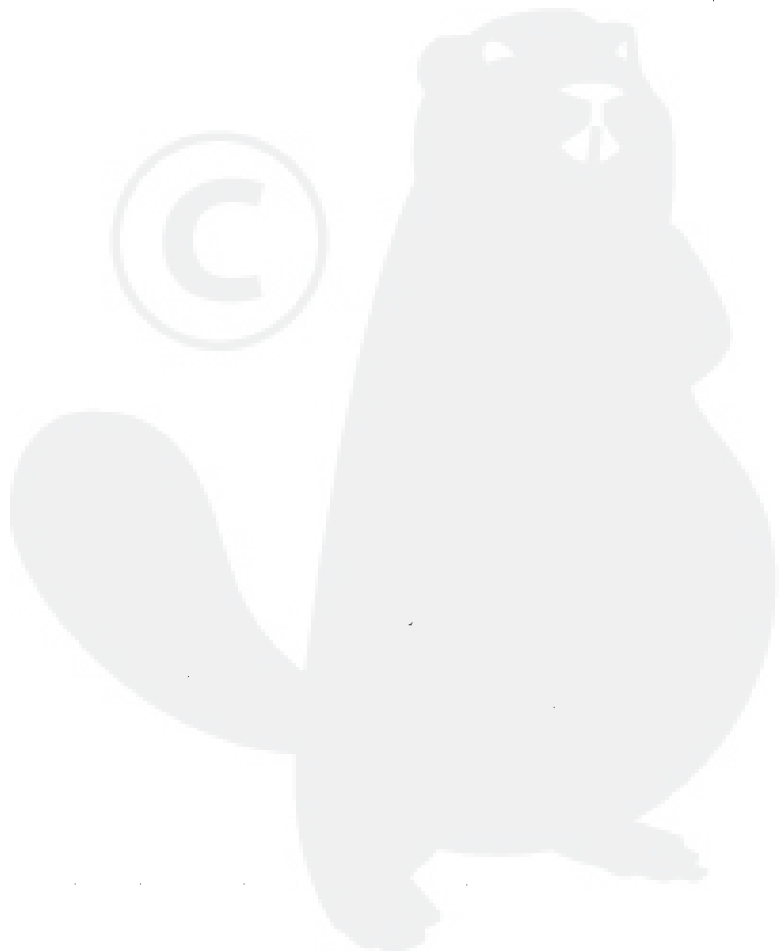
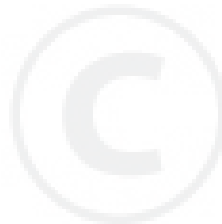


ZQHK0529

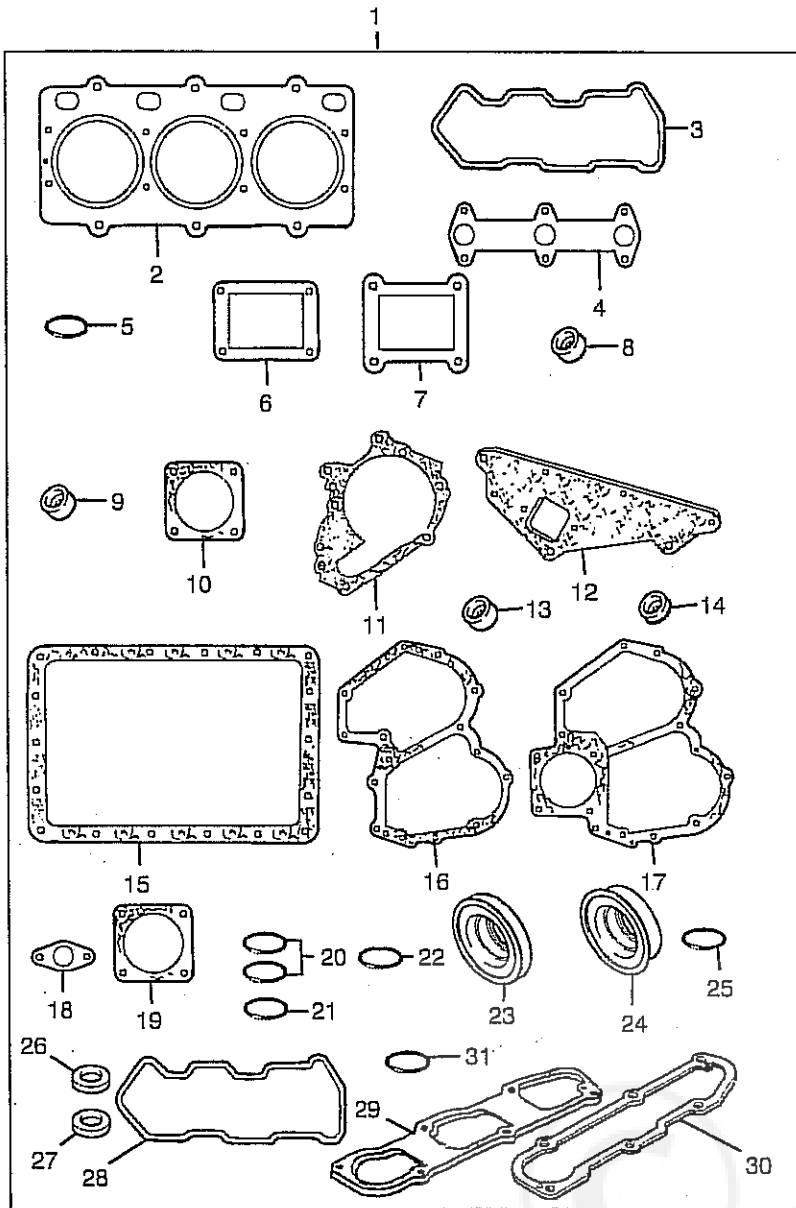


ZQHK0529

Item	Part No.	References	Qty.	Description	Notes
1	120076070		1	SHAFT	
2	199566651		1	PLATE	
3	011310612		2	SCREW	
4	199376230		1	CAP	
5	120996120	 a.	1	SEAL	
<b>History</b>					
a.					
5	120996060		1	SEAL	



SGBK0013



SGBK0013

Item	Part No.	References	Qty.	Description	Notes
1	195906651		1	JOINTS AND GASKET KIT	
2	— 111147001	●○ 111146991	1	GASKET	
3	— 052109064		1	INLET MANIFOLD JOINT	
4	— 135996590		1	EXHAUST MANIFOLD GASKET	
5	— 052100400		1	SEAL	
6	— 131426310	●○ 131437300	1	SHIM KIT	
7	— 145996360		1	GASKET	
8	— 120406050		3	VALVE STEM SEAL	(A)
9	— 120406070		3	VALVE STEM SEAL	(B)
10	— 314990013		1	JOINT	
11	— 145996460		1	GASKET	
12	— 145996370		1	JOINT	
13	— 131426200		3	GASKET	
14	— 131996130		3	WASHER	
15	— 110996560		1	GASKET	
16	— 165996361		1	JOINT	
17	— 165996351		1	GASKET	
18	— 130996070		1	JOINT	
19	— 165996110		1	JOINT	
20	— 052100100		2	O RING	
21	— 052300600		1	O RING	
22	— 052300700		1	O RING	
23	— 198636160		1	SEAL	
24	— 198636170		1	SEAL	

Footnotes

(A)	EXHAUST
(B)	INLET

Description	Part No.	Page.	Description	Part No.	Page.
ADJUSTING SCREW	199486220	25		185846325	43
AIR PIPE	140986581	51	BODY	130516080	81, 85
ALTERNATOR PULLEY	185436120	67	BOLT	010109119	73
ALTERNATOR	185046201	67		010109341	39
	185046320	63, 65		011300612	21, 47, 49, 51
ARMATURE ASSEMBLY	185846628	45		130436011	83
ARMATURE	185846357	43		130516092	81, 85
ARM	125156170	27		131246170	31, 35
	125156180	27		185846322	43
ATOMISER LEAK-OFF PIPE	131606290	29, 33		185846363	43
ATOMISER	131406360	29, 31, 33, 35		185846536	45
BACKPLATE	110366490	37		198486780	53, 53
BALL BEARING	040106004	71	BRACKET	120346241	25
	040106203	11		130976260	83
	040116002	43		185426210	65
	040136004	71, 101		185426220	65
BALL	185846616	45		185846321	43
BEARING KIT	198586050	17		185846622	45
	198586054	17		185846633	45
	198586057	17		185976200	63
	198586080	17	BRUSH	185416300	67
	198586084	17		185416480	65
	198586087	17		185846360	43
BEARING	040156304	21		185846630	45
	042309013	11	BUSH	198517090	11
	185446246	67		198517220	11
	185446251	67		198517224	11
	185446272	65		198517227	11
	185446274	65		198517265	17
	185446283	45	CABLE	185606170	87



**Parts Index**

Description	Part No.	Page.	Description	Part No.	Page.
CAMSHAFT GEAR	120016050	21	CONROD KIT	115026251	17
	120736081	21	CON ROD NUT	020109120	17
CAMSHAFT	120026190	21	CONTAINER	130336031	101
CAP	120216040	15, 15		360710011	101
	130516090	81, 85	COTTER	120226070	15, 15
	198436010	51	COVER	131296649	31, 35
	199376230	99		140116140	23
CIRCLIP	036500028	17		145226310	57
	036800005	27		185426130	67
	036800006	27		185846330	43
	036800010	23		185846362	43
	185846327	43	185846467	43	
CLIP	067100015	83, 83	CRANKSHAFT GEAR	115276200	17
	067100022	57	CRANKSHAFT KIT	115236040	17
	21825200	31, 35	CRANKSHAFT PULLEY	115396820	55
	398750430	79	CYLINDER BLOCK KIT	110186060	11
CLUTCH	185866440	45	CYLINDER HEAD COVER	111026491	51
COCK	198736120	97	CYLINDER HEAD GASKET	111147500	15
COLLAR	199236540	23	CYLINDER HEAD KIT	111017050	15
CONNECTION	131246010	31, 35	111086080	15	
	131246240	83	DAMPER	199106020	29, 29, 33, 33
	140546020	53	DIAPHRAGM	130516084	81, 85
	145226340	57	DIPSTICK TUBE	110756560	47
	198486840	79, 83		110756580	49
	385620200	101	DIPSTICK	198416320	47
	385620220	101		198416371	49
	385620270	101	DOWEL	030500612	11, 11, 11, 13
CONNECTOR	185376140	87		030500616	11
385620230	101	030501025		11	
385620290	101	CON ROD BOLT	115176140	17	

Description	Part No.	Page.	Description	Part No.	Page.
ELBOW	135616520	77		135996451	73
EXHAUST MANIFOLD GASKET	135996590	75, 105		145996360	57, 105
EXHAUST MANIFOLD	135616400	75		145996460	57, 105
	135616600	75		145996710	57
EXHAUST VALVE	120176280	15		165996351	21, 105
EXTENSION	145386910	59	GAUZE	110666090	51
FANBELT	080109061	63	GEAR - IDLER/OIL PUMP	165026120	23
FAN	145306491	61	GEAR	185846328	43
	145306520	59		185846329	43
	185436180	65		185846613	45
		185846624		45	
FILTER	360700031	101	GLOW PLUG	185366190	87
FLANGE	314120070	101	GUDGEON PIN	115326220	17
FUEL FILTER ASSEMBLY	130306041	101	HOLDER	110156171	11
	130306190	83		110156181	11
FUEL FILTER ELEMENT	130366020	83		110156191	11
	130366040	101		131196060	31, 35
	360720020	101	185846631	45	
FUEL INJECTION PIPE	131507160	29, 33	HOSE	068109036	51
	131507170	29, 33		068209084	83
	131507180	29, 33		145536050	57
FUEL INJECTION PUMP	131017530	29, 31, 33, 35		33855125	31, 35
FUEL PIPE	068209126	83		33856109	31, 35
GASKET	110996560	47, 49, 105		HOUSING	185846364
	111147001	105	HYDRAULIC PUMP GEAR	340460130	71, 101
	130516089	81, 85	INDUCTION MANIFOLD	135596650	73
	131186110	31, 35	INLET MANIFOLD JOINT	052109064	51, 105
	131296255	31, 35		135996810	73
	131426200	29, 33, 105		135996860	73
	131426230	31, 35	INLET VALVE	120166270	15

**Parts Index**

Description	Part No.	Page.	Description	Part No.	Page.	
INSERT	110136251	15		020700008	27	
JOINTS AND GASKET KIT	195906651	105		023100006	21, 27, 27, 29, 33, 57, 57, 75	
JOINT	130996070	79, 83, 105		023100008	25, 29, 33, 69, 71, 83	
	130996130	79, 83		023109002	29, 29, 33, 33	
	135996680	73		024600008	51	
	145996051	57		131446006	31, 35	
	145996370	57, 105		131446077	31, 35	
	145996670	57		185446157	67	
	165996110	69, 71, 105		185446269	65	
	165996361	21, 105		OIL DIPSTICK	198416730	47
	165996540	21			198416740	49
	314990013	77, 101, 105		OIL FILTER	140516130	53
KEY	030509020	17	OIL PIPE	140606691	53	
LEVER	120356200	25		140986530	47, 49	
	120356210	25	O RING	052100030	27, 27	
	120366152	25		052100050	27	
	120366162	25		052100070	27	
	125046150	27		052100100	47, 49, 101, 105	
	125176080	27		052100120	25	
	125406080	27		052100150	23	
	125416020	27		052100440	101	
	130516086	81, 85		052109076	47, 49	
	185846319	43		052300600	69, 71, 105	
	185846625	45		052300700	71, 101, 105	
LIFT PUMP	130506140	79, 81, 83, 85		131226130	31, 35	
NOZZLE	131416170	31, 35		131226180	81, 85	
NUT	020100004	87	PACKING	185996010	45	
	020100010	41, 63, 83	PINION	185846406	43	
	020109076	25				
	020109086	55				

Description	Part No.	Page.	Description	Part No.	Page.
	185846626	45		064200010	15
PIN	030300414	21, 73		064200012	25
	030300816	17		064200015	11
	030309005	11		064200020	15
	031100004	27		064200025	11, 15
	130516085	81, 85		064200030	15, 15
	130516088	81, 85		064200040	11, 11
	131296645	31, 35		064500010	73
	131296648	31, 35		064500030	57, 57
PISTON AND RING KIT	115016810	17		130396030	83
	115016814	17		130446080	101
	115016817	17		198436150	25
PISTON-KIT	115016800	17		198466010	11
	115016804	17		198466020	11
	115016807	17		198466030	11
PISTON-RING KIT	115107290	17		360740070	101
	115107293	17	PLUNGER	130516082	81, 85
	115107295	17		131116380	31, 35
PLATE	110366350	37	PUSHROD	120456231	25
	110666050	51	RACK	131296678	31, 35
	131296530	31, 35	RECTIFIER	185446216	67
	145146320	57		185446276	65
	145386390	61	REGULATOR	185446187	67
	165166221	21		185446277	65
	165206010	69, 69, 71, 71	RELIEF VALVE	140036120	23
	185727000	63	REPAIR KIT	140186020	23
	195816200	89, 89	RING	130446090	101
	199566651	99		360740010	101
PLUG	010401212	47, 49	ROCKER COVER JOINT	052109065	25
	064100045	11	ROCKER SHAFT ASSEMBLY	120036532	25

**Parts Index**

Description	Part No.	Page.	Description	Part No.	Page.
ROTOR	140166140	23		011310825	101
	185336252	67		011311070	13, 13
	185446273	65		011500820	57
SCREW KIT	185846627	45		015300614	57
SCREW	010100625	29, 33		111136480	15
	010100630	27		111136490	15
	010101030	41		130516091	81, 85
	010101035	63		131046120	29
	010109235	47, 49		131046160	33
	010109264	27		131136420	29, 33
	010109271	29, 33		131296408	31, 35
	010110822	77		185446158	67
	010111055	11, 11, 13		185446182	67
	010700865	13		185446270	65
	011300616	27, 79, 83		185446271	65
	011300625	25	185846317	43, 43	
	011300635	25, 57	SEAL	052100400	51, 101, 105
	011300645	21, 57		120996060	99
	011300660	21, 73		120996120	99
	011300680	21		198636160	21, 105
	011300812	49		198636170	37, 105
	011300816	37, 63	SENDER	385720230	95
	011300820	29, 33, 63, 83	SHAFT	120076070	99
	011300830	63		120316211	25
	011300860	21, 69, 71, 101		125116140	27
	011310612	47, 49, 99		125116141	27
	011310614	61		165296130	11
	011310616	61		185866130	43
	011310625	59, 75		185866180	43
	011310816	83, 89, 89		185866420	45
				185866430	45

Description	Part No.	Page.	Description	Part No.	Page.
SHIM KIT	131426310	29, 29, 29, 29, 33, 33, 33, 33, 105	STARTERMOTOR	185086291	43
				185086560	41, 45
SHIM	131437360	31, 35		185086600	41
	199286150	23	STARTER RING	115376040	39
	199286160	23	STATOR	185446140	67
	199286170	23		185446162	67
	199286180	23		185446275	65
SHORT ENGINE	110006380	9	STAY	125976120	27
SLEEVE	131296647	31, 35		130976250	83
SNAPRING	036800008	27, 27	STOP	185846391	45
SOLENOID	185206083	91	STRAINER	140406310	47, 49
SPACER	131446076	31, 35	STUD	012100635	11
	135597040	73		012100645	57
	199216230	21		012100660	11
SPRING	130516081	81, 85		012100820	11
	130516083	81, 85		012109177	25
	130516087	81, 85		012110625	75
	131176320	31, 35	SUMP JOINT	110996820	47, 49
	131176450	31, 35	SUMP	110706880	47, 49
	131446074	31, 35	SWITCH	185246060	93
	185446165	67		185816120	43
	185846320	43		185816340	45
	185846361	43	TAPPET	120116160	25
	185846632	45		125256120	21
	198216720	23		131256110	31, 35
	198216731	27	TERMINAL	185446188	67
	198216760	27		185446278	65
	198216780	25	THERMOSTAT HOUSING	145216370	57
198216821	23	145216380		57	
198217110	27	THERMOSTAT	145206180	57	
198217400	57		145206210	57	

**Parts Index**

Description	Part No.	Page.	Description	Part No.	Page.
THRUST WASHER	199266200	17		131296531	31, 35
TIMING CASE COVER JOINT	165996550	21		131296532	31, 35
TIMING CASE	165106092	21		131446075	31, 35
TUBE	110756140	47		131996130	105
	110756201	49		140996260	51, 53, 53
	110756360	49		185846623	45
VALVE CAP	120186080	15, 15		198996060	51, 53, 53
VALVE SPRING	198216700	15, 15		199266180	23
VALVE STEM SEAL	120406050	15, 105		199280280	25
	120406070	15, 105		360740080	101
VALVE	131156150	31, 35	WATERPUMP PULLEY	145336620	57
WASHER	025100008	29, 33	WATER PUMP	145016900	57
	025100010	29, 29, 33, 33	WIRE	198236030	29, 33
	025100012	47, 49	WOODRUFF KEY	034100508	21, 55
	025100016	91	YOKE	185846629	45
	026100010	27, 41, 83			
	026100024	55			
	026109017	63			
	026200008	27, 63			
	026200010	27			
	027100004	87			
	027100006	73			
	027100008	77			
	027100010	41, 63, 83			
	027109010	29, 33			
	130326051	83, 83, 83, 83, 83			
	130326120	101			
	130516069	81, 85			
131146070	31, 35				