



ROQUES et LECŒUR



A partir de 2019

**TONDEUSE AUTOPORTÉE
À RAMASSAGE ARRIÈRE**

RL9102C

Carter 102 cm

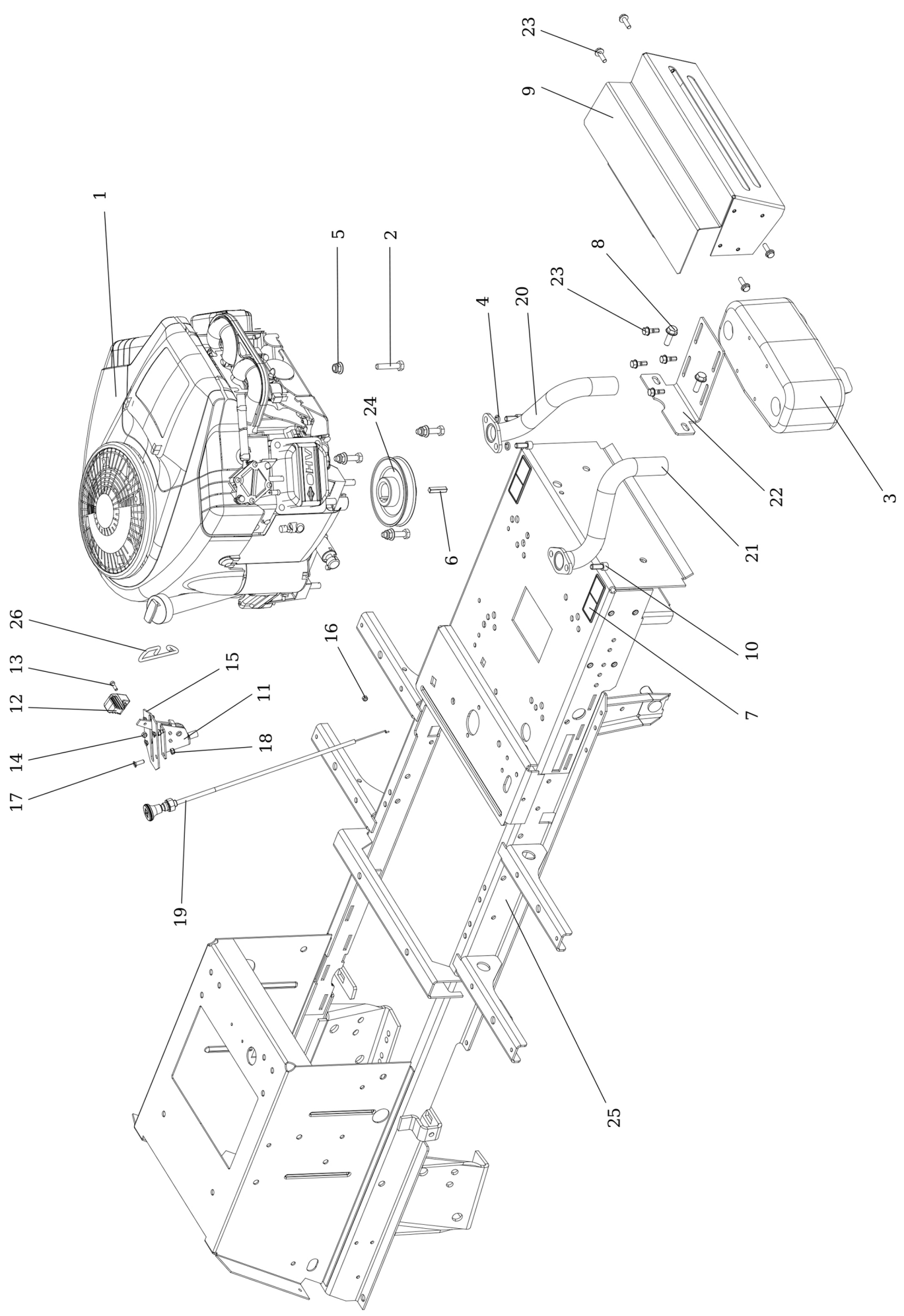
Bac de 320 litres

**CODE : KUJ4I-18-0001
CODE R&L : 4300042104**

Page 1 à 32

**MOTEUR BRIGGS & STRATTON
Professional Series™ 7220**

SABRE FRANCE

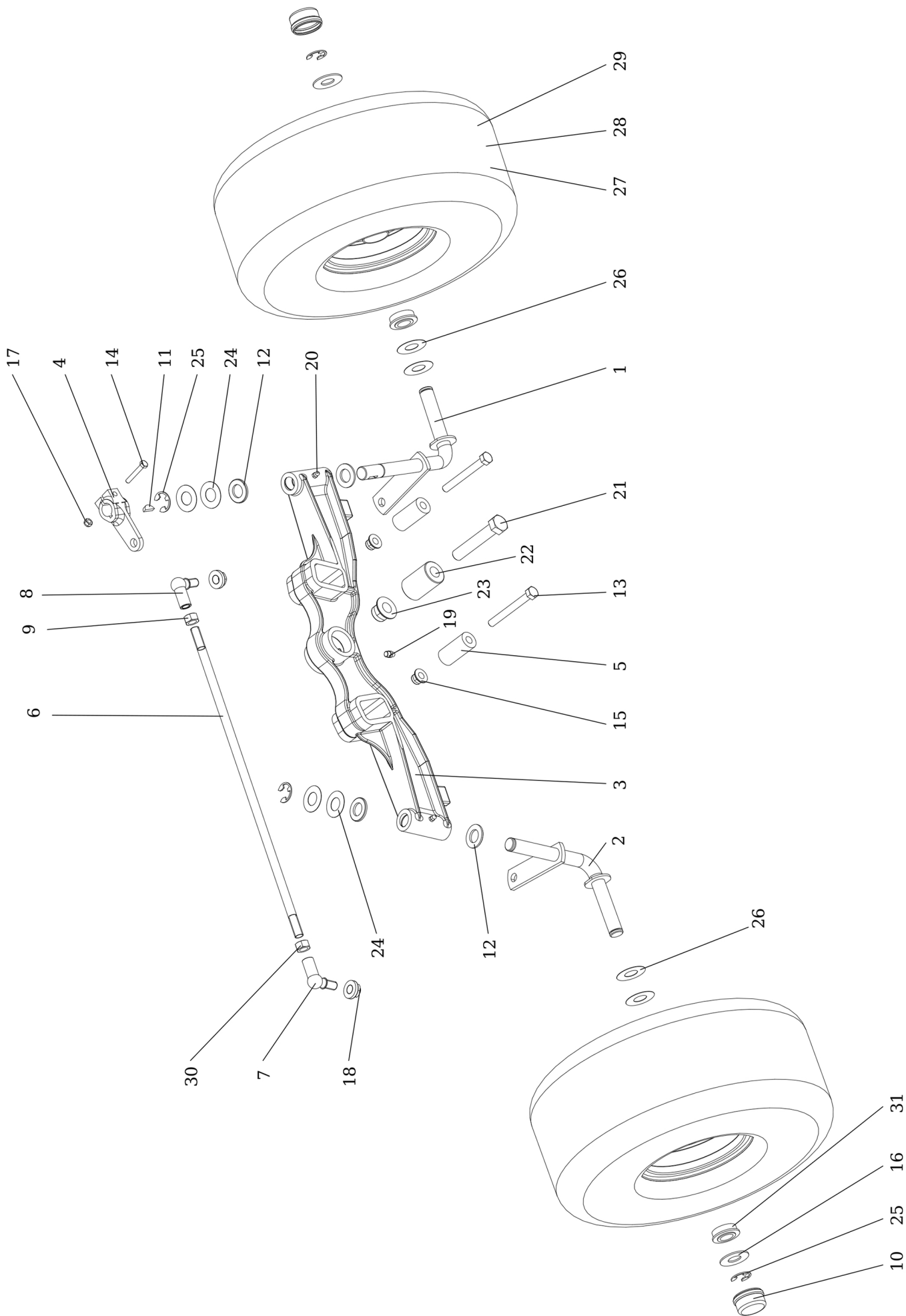


TONDEUSE AUTOPORTEE ROQUES & LECŒUR RL9102C 2019

(MOTEUR BRIGGS & STRATTON COMMERCIAL SERIES™ 7220)

MOTEUR

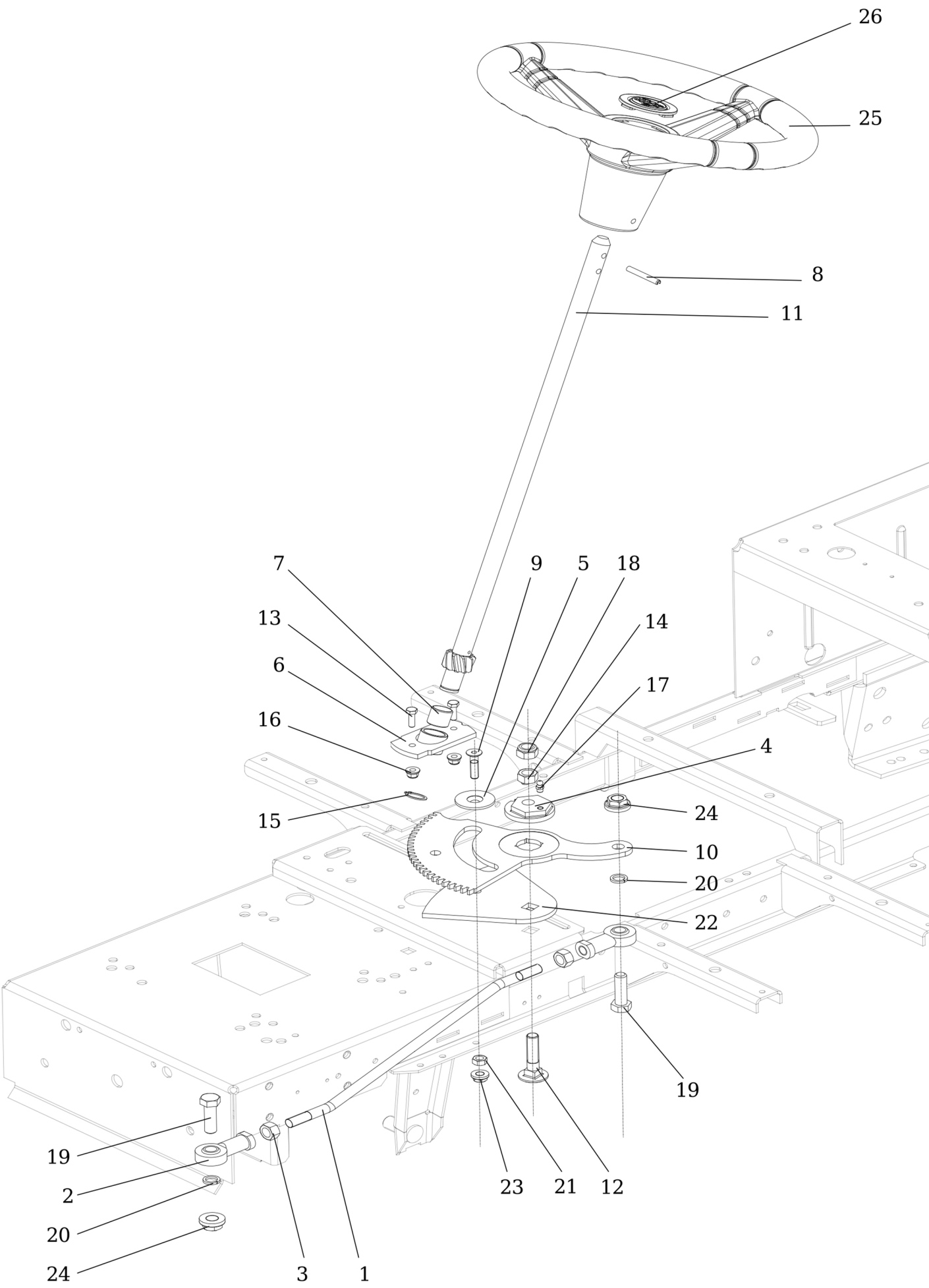
N°	REFERENCES	DESIGNATIONS	Qté
1	N482349034	MOTEUR BRIGGS & STRATTON 7220 22HP RL9102C	1
2	N309503544	VIS M8X40 DE FIXATION MOTEUR RL9102C	3
3	N443900129	POT D'ECHAPPEMENT 24500 N-20 RL9102C	1
4	N311214502	RONDELLE 8 DE PIPE D'ECHAPPEMENT RL9102C	4
5	N532150290	ECROU M8 DIN 6926 Zinc RL9102C	1
6	N311726101	CLAVETTE POULIE MOTEUR 0-9231-213 RL9102C	1
7	N283292223	ETIQUETTE 0-8732-337 RL9102	2
8	N309503005	VIS M8x25 DE SUPPORT POT RL9102	2
9	S532085422123	PROTEGE POT AJ V2 RL9102C	1
10	N309579502	VIS VYF IMBUS 5/16X3/4 Unc Zinc RL9102C	4
11	N443900085	CABLE + MANETTE DE GAZ RL9102C	1
12	N443900148	EMBOUT NOIR DE MANETTE DE GAZ RL9102C	1
13	N309231535	VIS M4X14 D'EMBOUT DE MANETTE RL9102C	1
14	N311129514	ECROU M4 RL9102C	1
15	S532080302873	RENFORT DE MANETTE DE GAZ RL9102C	1
16	N311122501	ECROU W1/4-20 Unc Zinc RL9102C	1
17	N309251515	VIS M5X16 DE RENFORT RL9102C	4
18	N311129515	ECROU M5 DE RENFORT RL9102C	4
19	N443612011	CABLE DE STARTER RL9102C	1
20	S532927442023	PIPE GAUCHE D'ECHAPPEMENT RL9102C	1
21	S532927442013	PIPE DROITE D'ECHAPPEMENT RL9102C	1
22	S532113402093	SUPPORT DE POT D'ECHAPPEMENT RL9102C	1
23	N309578517	VIS M6X16 DE PROTEGE POT RL9102C	4
24	N532151345	POULIE MOTEUR 9-3325-295 K46 RL9102C	1
25	S532912962843	CHASSIS NU UJ/2014 RL9102C	1
26	N532980071	CROCHET GUIDE CABLE 0-9242-240 RL9102C	1



TONDEUSE AUTOPORTEE ROQUES & LECŒUR RL9102C 2019
(MOTEUR BRIGGS & STRATTON COMMERCIAL SERIES™ 7220)

ESSIEU AVANT

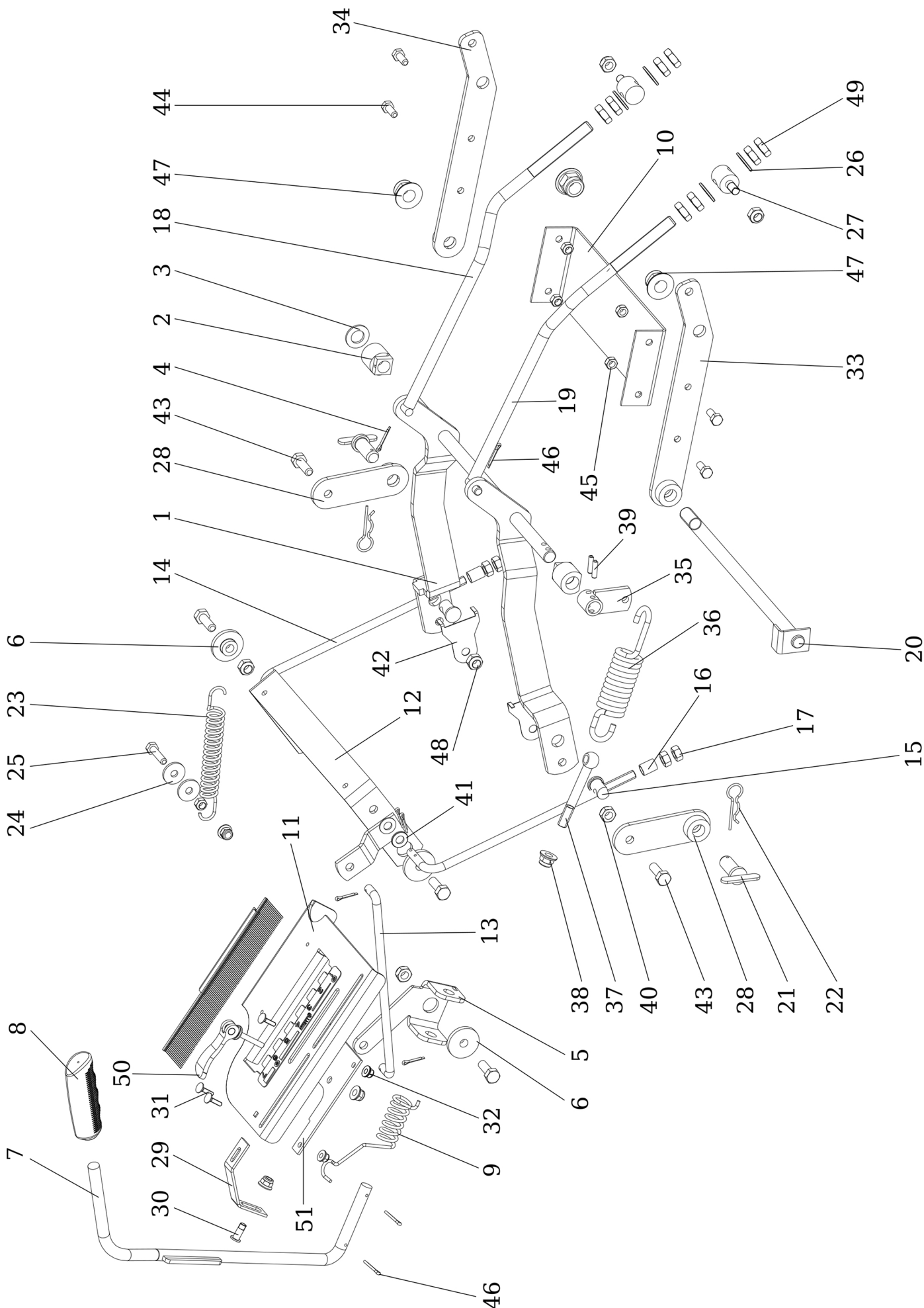
N°	REFERENCES	DESIGNATIONS	Qté
1	S532916432143	FUSEE GAUCHE RL9102C	1
2	S532916432153	FUSEE DROITE RL9102C	1
3	S532016542083	ESSIEU AVANT RL9102C	1
4	S532080503603	LEVIER DE LIAISON DE DIRECTION RL9102C	1
5	S532195203533	ENTRETOISE D'ESSIEU AVANT RL9102C	2
6	N532151336	TIGE DE CONNECTION DE FUSEE RL9102C	1
7	N442073020	ROTULE DE DIRECTION DROITE M12 RL9102C	1
8	N442073019	ROTULE DE DIRECTION GAUCHE M12 RL9102C	1
9	N311120539	ECROU M12 REGLAGE DE ROTULE RL9102C	1
10	N532150915	CAPUCHON DE ROUE AVANT RL9102C	2
11	N311728003	CLAVETTE DEMI-LUNE 5.7X7.5 RL9102C	1
12	N311210514	RONDELLE 19 RL9102C	4
13	N309501527	VIS M10X80 D'ENTRETOISE RL9102C	2
14	N309203524	VIS M6X40 DE LEVIER RL9102C	1
15	N311129523	ECROU M10 DIN 6926 Zinc RL9102C	2
16	S532092208363	RONDELLE DE ROUE AVANT RL9102C	2
17	N311129513	ECROU M6 DE LEVIER RL9102C	1
18	N311129521	ECROU FREIN M12 DE ROTULE RL9102C	2
19	N425111016	GRAISSEUR MK 8x1 D'ESSIEU RL9102C	1
20	N425111004	GRAISSEUR MK 6x1 DE FUSEE RL9102C	2
21	N309501524	VIS M16x90 DE DOUILLE D'ESSIEU RL9102C	1
22	S532093202793	DOUILLE D'ESSIEU AVANT RL9102C	1
23	N311129527	ECROU M16 DE DOUILLE RL9102C	1
24	S532092208383	RONDELLE DE FUSEE RL9102C	4
25	N311732023	CIRCLIPS E-75 3/4 DE FUSEE RL9102C	4
26	S532092208153	RONDELLE DE ROUE AVANT RL9102C	6
27	N532940164	ROUE AVANT C. 15x6.50-8 RL9102C	2
28	N325111024	JANTE AVANT NUE 5.50AX8H2 OTR 20 RL9102C	2
29	N274161027	PNEU AVANT 16x6.50-8 MULTI-TRAC RL9102C	2
30	N311120504	ECROU M12 REGLAGE DE ROTULE RL9102C	1
31	N324196019	ROULEMENT ROUE AVANT 3/4 RL9102C	4



TONDEUSE AUTOPORTEE ROQUES & LECŒUR RL9102C 2019
(MOTEUR BRIGGS & STRATTON COMMERCIAL SERIES™ 7220)

COLONNE DE DIRECTION

N°	REFERENCES	DESIGNATIONS	Qté
1	N532151347	TIGE DE DIRECTION RL9102C	1
2	N442073028	ROTULE DE DIRECTION PAS A DROITE RL9102C	2
3	N311150505	ECROU M12 DE ROTULE RL9102C	2
4	S532080272033	DOUILLE EXCENTRIQUE RL9102C	1
5	S532195202593	ENTRETOISE RL9102C	1
6	S532938542103	SUPPORT BAGUE DE PALIER RL9102C	1
7	N323721002	BAGUE DE PALIER DE DIRECTION RL9102C	1
8	N315238031	GOUPILLE MECANINDUS 6x45 DE VOLANT RL9102C	1
9	N309578534	VIS M8x35 RL9102C	1
10	S532033322453	CREMAILIERE DE DIRECTION RL9102C	1
11	S532930252043	PIGNON + ARBRE DE DIRECTION RL9102C	1
12	N309019522	VIS M12X55.8.8 A3L ISO 8677 RL9102C	1
13	N309503548	VIS M6X20 DE SUPPORT BAGUE RL9102C	2
14	N311129505	ECROU M12 RL9102C	1
15	N311733607	ANNEAU DE RETENUE 19 RL9102C	1
16	N311129525	ECROU M6 DIN 6926 RL9102C	2
17	N425111004	GRAISSEUR MK 6x1 RL9102C	1
18	N311150505	ECROU M12 DE CREMAILIERE RL9102C	1
19	N309503505	VIS M12X40 DE ROTULE RL9102C	2
20	N311214504	RONDELLE M12 DE ROTULE RL9102C	2
21	N311150503	ECROU M8 RL9102C	1
22	S532113326353	PLAQUE DE CREMAILIERE RL9102C	1
23	N311120520	ECROU FREIN M8 RL9102C	1
24	N311129521	ECROU M12 DE ROTULE RL9102C	2
25	N443821011	VOLANT DE DIRECTION UJ-2014 RL9102C	1
26	N532151344	ENJOLIVEUR DE VOLANT RL9102C	1

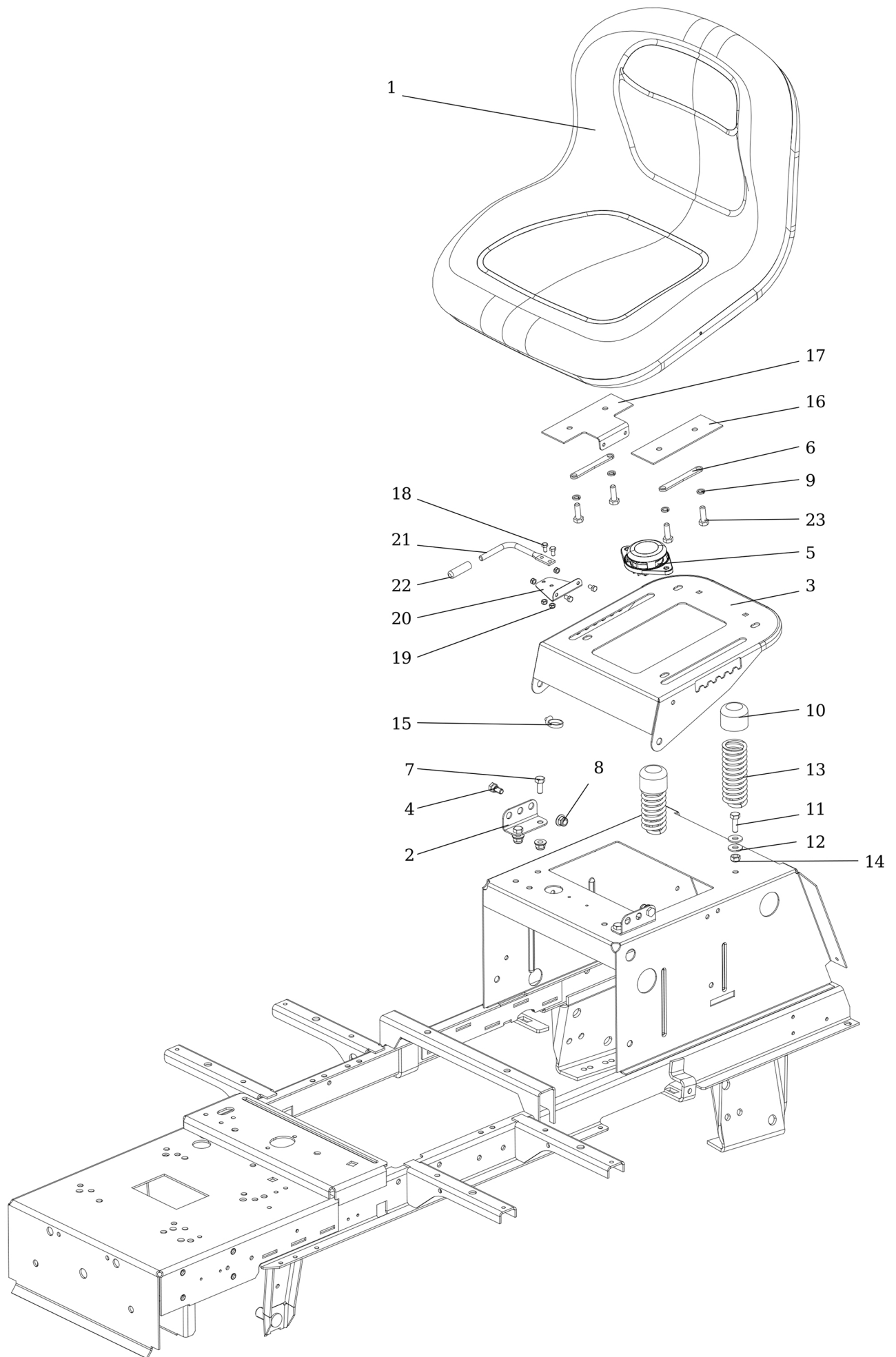


TONDEUSE AUTOPORTEE ROQUES & LECŒUR RL9102C 2019

(MOTEUR BRIGGS & STRATTON COMMERCIAL SERIES™ 7220)

SYSTEME DE RELEVAGE

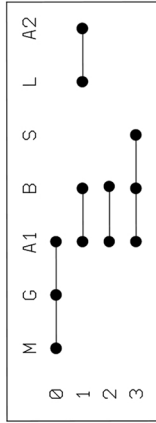
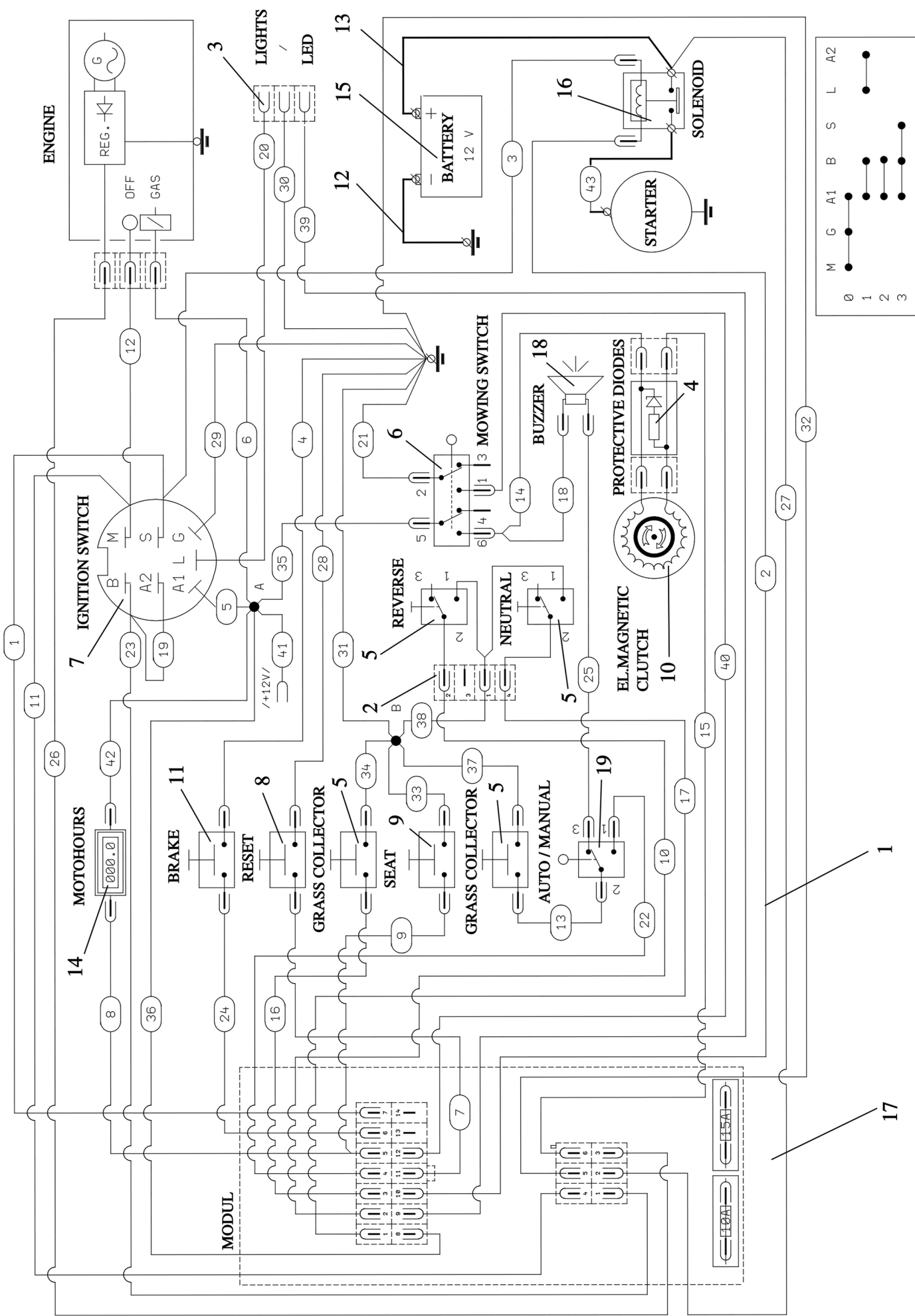
N°	REFERENCES	DESIGNATIONS	Qté
1	S532980508293	BRAS DE LEVAGE RL9102C	1
2	N722643024	DOUILLE DE BRAS RL9102C	2
3	N311210507	RONDELLE 17 RL9102C	1
4	N311338517	GOUPILLE BETA 3.2x25 RL9102C	2
5	S532113415563	SUPPORT DE LEVIER RL9102C	1
6	S532092212293	RONDELLE RL9102C	3
7	S532980412183	LEVIER DE HAUTEUR RL9102C	1
8	N532151357	POIGNEE DE LEVIER DE HAUTEUR RL9102C	1
9	N315231265	RESSORT DE SUPPORT DE LEVIER RL9102C	1
10	S532080503673	SUPPORT EN U AVANT RL9102C	1
11	S532113425423	PLATINE SELECTEUR DE HAUTEUR RL9102C	1
12	S532913413323	SUPPORT EN U ARRIERE RL9102C	1
13	N532151358	TRINGLE DE CONNECTION RL9102C	1
14	N532151359	TRINGLE VERTICALE RL9102C	2
15	S532090162073	PIVOT DE TRINGLE RL9102C	2
16	S532095213823	ENTRETOISE DE TRINGLE RL9102C	2
17	N311150506	ECROU M10 DE TRINGLE RL9102C	4
18	S532980422503	TIRAND AVANT GAUCHE RL9102C	1
19	S532980422493	TIRAND AVANT DROIT RL9102C	1
20	S532938122583	ARBRE PIVOTANT UJ RL9102C	1
21	S532993462343	BROCHE DE VERROUILLAGE RL9102C	2
22	N315238003	GOUPILLE RESSORT RL9102C	2
23	N315231193	RESSORT DE RAPPEL RL9102C	1
24	N311212508	RONDELLE 9 Zinc DE RESSORT RL9102C	2
25	N309503543	VIS M8X35 RL9102C	3
26	N311210504	RONDELLE 10.5 RL9102C	4
27	S532090162063	PIVOT DE TIRAND AVANT RL9102C	2
28	S532980322193	BRAS AVANT VERTICAL RL9102C	2
29	S532013418233	SUPPORT PLATINE SELECTEUR RL9102C	1
30	N309578535	VIS M8X20 DE SUPPORT RL9102C	1
31	N309019507	VIS M6X16 DE SUPPORT RL9102C	1
32	N311129525	ECROU FREIN M6 DIN 6926 RL9102C	1
33	S532980508313	BRAS DE LEVAGE AVANT DROIT RL9102C	1
34	S532980508303	BRAS DE LEVAGE AVANT GAUCHE RL9102C	1
35	S532980365413	BRAS SUPPORT RESSORT RL9102C	1
36	N315231269	RESSORT DE RELEVAGE RL9102C	1
37	N309510001	VIS A ŒIL M10X90 DE RESSORT RL9102C	1
38	N311129523	ECROU FREIN M10 DIN 6926 Zinc RL9102C	1
39	N315238059	GOUPILLE MECANINDUS 6X26 RL9102C	3
40	N311120542	ECROU M14 RL9102C	8
41	N311210511	RONDELLE PLATE 15 RL9102C	4
42	S532113412103	SUPPORT DE BRAS DE LEVAGE RL9102C	2
43	N309503515	VIS M8X30 RL9102C	5
44	N309503518	VIS M8X20 DE BRAS AVANT RL9102C	4
45	N311129501	ECROU FREIN M8 RL9102C	7
46	N311338516	GOUPILLE BETA 3.2x20 RL9102C	6
47	N311129527	ECROU FREIN M16 DE BRAS AVANT RL9102C	3
48	N532150290	ECROU FREIN M8 RL9102C	2
49	N311129502	ECROU M10 RL9102C	7
50	N532151360	LEVIER DE BLOCAGE DE HAUTEUR RL9102C	1
51	S532013322013	GUIDE LEVIER RL9102C	1



TONDEUSE AUTOPORTEE ROQUES & LECŒUR RL9102C 2019
(MOTEUR BRIGGS & STRATTON COMMERCIAL SERIES™ 7220)

SIEGE

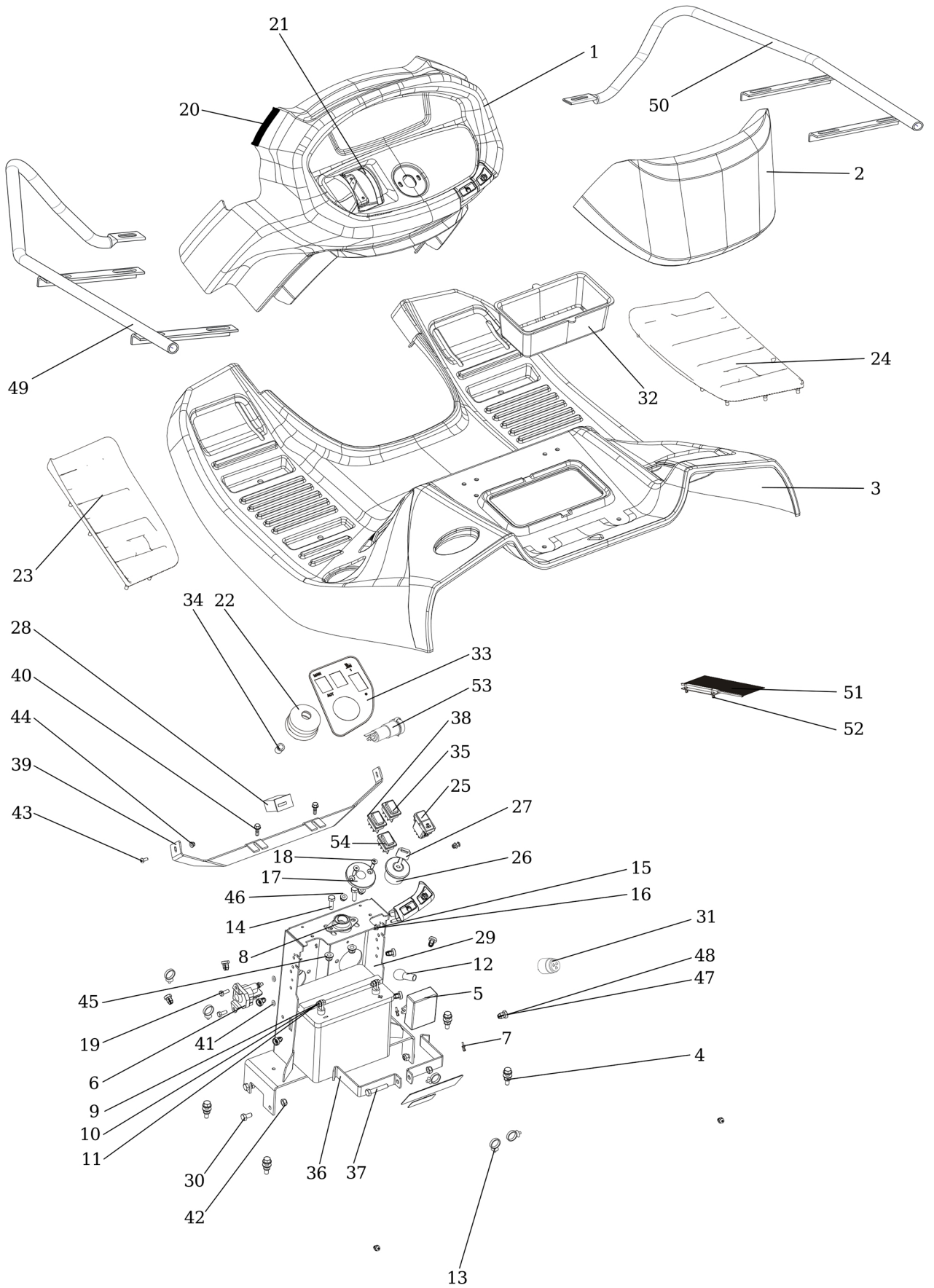
N°	REFERENCES	DESIGNATIONS	Qté
1	N532150991	SIEGE XH 150 RL9102C	1
2	S532113402403B	ETRIER DE SUPPORT DE SIEGE RL9102C	2
3	S532018474683	SUPPORT DE SIEGE RL9102C	1
4	N309599012	VIS DE SUPPORT DE SIEGE RL9102C	2
5	N532150990	CONTACTEUR DE SECURITE DE SIEGE RL9102C	1
6	S532092322053	PLATINE D'ECARTEMENT RL9102C	2
7	N309503518	VIS M8X20 D'ETRIER RL9102C	4
8	N532150290	ECROU FREIN M8 D'ETRIER RL9102C	6
9	N311214502	RONDELLE PLATE 8 RL9102C	4
10	N532150208	CAPUCHON NOIR DE RESSORT DE SIEGE RL9102C	2
11	N309503512	VIS M8X25 DE RESSORT DE SIEGE RL9102C	2
12	N311212517	RONDELLE 9 Zinc RL9102C	4
13	N315231124	RESSORT DE SIEGE RL9102C	2
14	N311129501	ECROU FREIN M8 RL9102C	2
15	N532150211	ATTACHE DE CABLE RL9102C	1
16	S532113302013	SUPPORT SIEGE GAUCHE RL9102C	1
17	S532113402073	SUPPORT SIEGE DROIT RL9102C	1
18	N309203545	VIS M5x10 DE LEVIER DE REGLAGE RL9102C	4
19	N311129515	ECROU FREIN M5 RL9102C	4
20	S532097402283	PLATINE RESSORT DE REGLAGE RL9102C	1
21	N532151356	LEVIER DE REGLAGE DE SIEGE RL9102C	1
22	N532150209	EMBOUT DE LEVIER DE REGLAGE RL9102C	1
23	N309578540	VIS M8X25 DE SIEGE RL9102C	4



TONDEUSE AUTOPORTEE ROQUES & LECŒUR RL9102C 2019
(MOTEUR BRIGGS & STRATTON COMMERCIAL SERIES™ 7220)

SCHEMA ELECTRIQUE

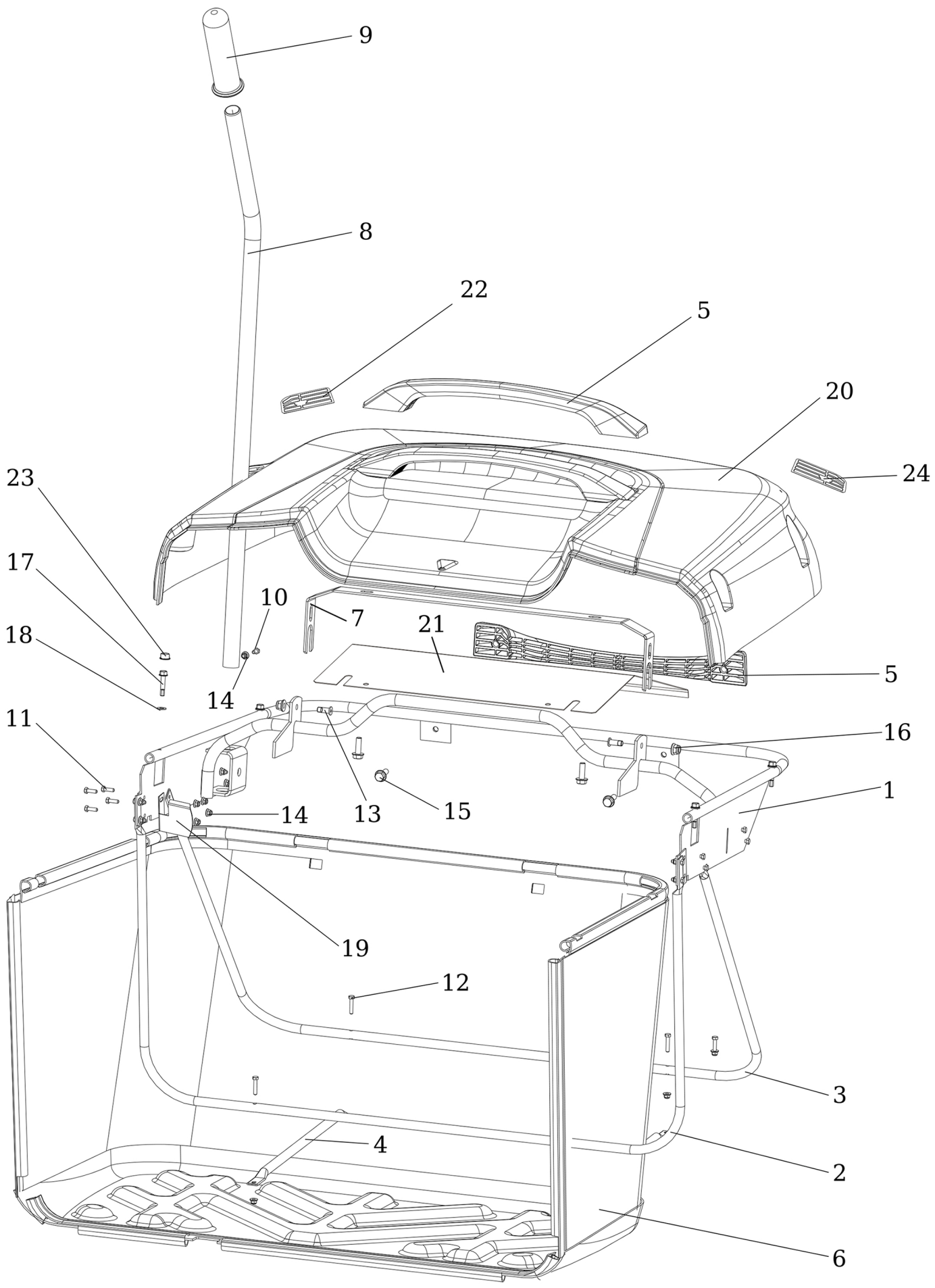
N°	REFERENCES	DESIGNATIONS	Qté
1	N341271186	HARNAIS ELECTRIQUE RL9102C	1
2	N341271193	HARNAIS DE CONTACTEUR RL9102C	1
3	N341271169	FAISCEAU DE LAMPE RL9102C	1
4	N341271052	DIODE DE PROTECTION RL9102C	1
5	N345359004	CONTACTEUR DE SECURITE RL9102C	4
6	N345329023	INTERRUPTEUR EMBRAYAGE DE LAMES RL9102C	1
7	N443861007	CONTACTEUR A CLE RL9092C	1
8	N345329025	INTERRUPTEUR SECURITE MARCHE ARRIERE RL9102C	1
9	N345359005	CONTACTEUR DE SECURITE DE SIEGE RL9102C	1
10	N532151196	EMBRAYAGE ELECTROMAGNETIQUE RL90102C	1
11	N532150994	CONTACTEUR DE FREIN PARKING RL9102C	1
12	N341271021	CABLE DE MASSE DE BATTERIE RL9102C	1
13	N341271172	CABLE + DE BATTERIE RL9102C	1
14	N443433003	COMPTEUR HORAIRE RL9102C	1
15	N346211006	BATTERIE 12V-24Ah RL9102C	1
16	N532151619	SOLENOÏDE RL9102C	1
17	N341271187	MODULE ELECTRONIQUE RL9102C	1
18	N443312021	AVERTISSEUR SONORE RL9102C	1
19	N345329017	CONTACTEUR DE LAME RL9102C	1



TONDEUSE AUTOPORTEE ROQUES & LECŒUR RL9102C 2019
(MOTEUR BRIGGS & STRATTON COMMERCIAL SERIES™ 7220)

TABLEAU DE BORD

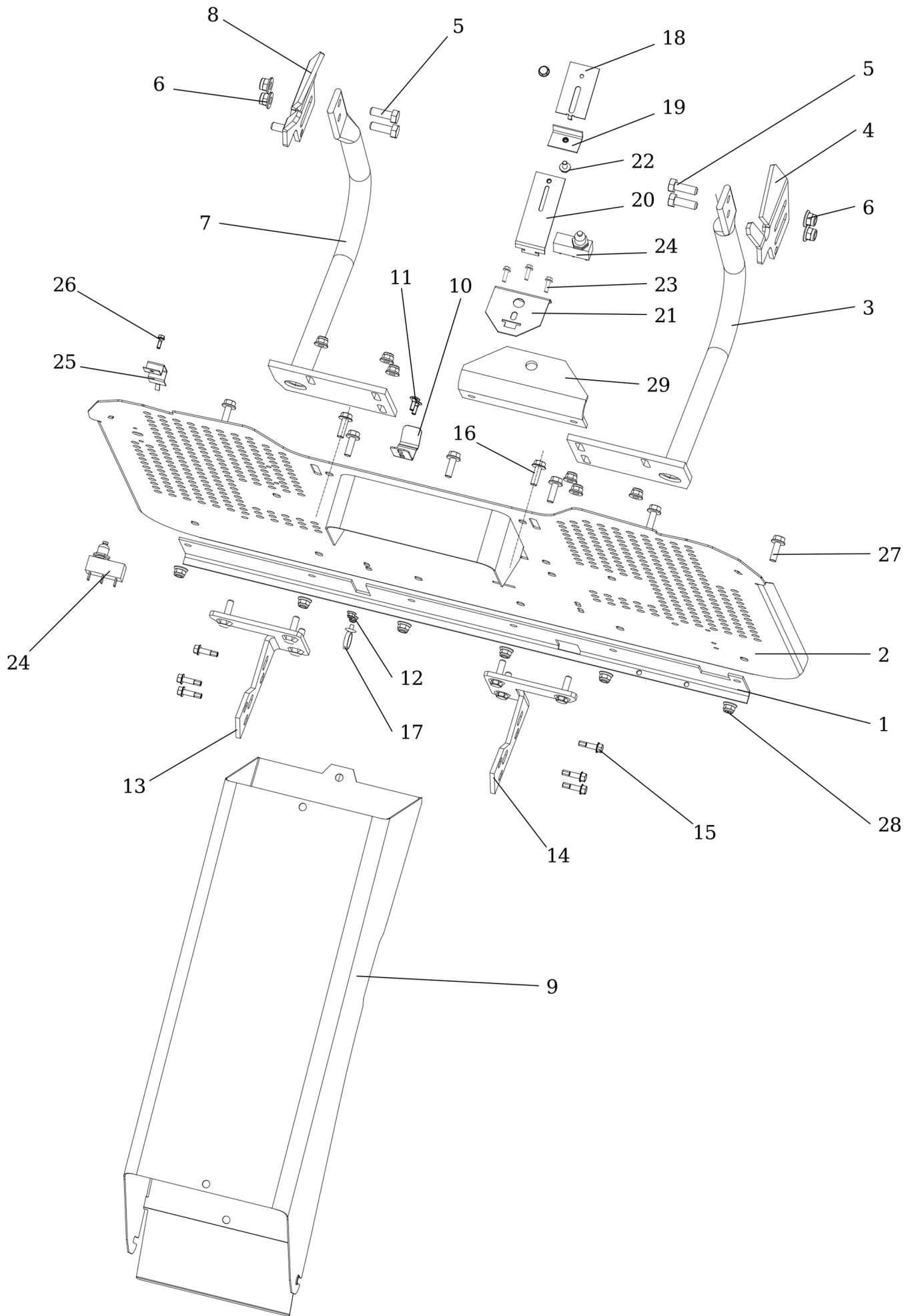
N°	REFERENCES	DESIGNATIONS	Qté
1	N532151483	TABLEAU DE BORD NOIR RL9102C	1
2	N532151339	CAPOT DE BATTERIE NOIR RL9102C	1
3	N532151662	CARTER REPOSE PIEDS NOIR RL9102C	1
4	N309578012	VIS M8X30 DIN 6921 8.8 Zinc RL9102C	4
5	N341271187	MODULE ELECTRONIQUE RL9102C	1
6	N532151619	SOLENOÏDE RL9102C	1
7	N532151116	GOUPILLE RL9102C	2
8	N324196022	ROULEMENT FL M12 RL9102C	1
9	N309503548	VIS M6X20 RL9102C	4
10	N311210502	RONDELLE 6.4 RL9102C	2
11	N311129513	ECROU FREIN M6 RL9102C	2
12	N273125006	PROTECTION CAOUTCHOUC RL9102C	2
13	N532150211	ATTACHE DE CABLE RL9102C	9
14	N309503512	VIS M8X25 RL9102C	2
15	N309203539	VIS M5X16 RL9102C	1
16	N311129524	ECROU M5 DIN 6926 Zinc RL9102C	1
17	N321841069	MOYEU DE VOLANT RL9102C	1
18	N309578503	VIS M6X25 DE MOYEU DE VOLANT RL9102C	2
19	N309503508	VIS M6X16 DE SOLENOÏDE RL9102C	2
20	S532096342193	GUIDE DE CAPOT MOTEUR RL9102C	2
21	N532151353	RENFORT DE TABLEAU DE BORD RL9102C	1
22	S532096262483	SOUFFLET DE VOLANT RL9102C	1
23	N273114031	CAOUTCHOUC DE PIEDS GAUCHE RL9102C	1
24	N273114032	CAOUTCHOUC DE PIEDS DROIT RL9102C	1
25	N345329023	INTERRUPTEUR EMBRAYAGE DE LAMES RL9102C	1
26	N443861007	CONTACTEUR A CLE RL9102C	1
27	N443900137	CLE DE DEMARRAGE RL9102C	1
28	N443433003	COMPTEUR HORAIRE RL9102C	1
29	S532916422013	SUPPORT DE COLONNE RL9102C	1
30	N309503517	VIS M8X16 RL9102C	4
31	N443312021	AVERTISSEUR SONORE RL9102C	1
32	N532151194	BAC DE RANGEMENT RL9102C	1
33	N283293027	ETIQUETTE GAUCHE TABLEAU DE BORD RL9102C	1
34	N443312023	LED FREIN DE PARKING RL9102C	1
35	N345329025	INTERRUPTEUR SECURITE MARCHE ARRIERE RL9102C	1
36	S532113425353	COLLIER SUPPORT DE BATTERIE RL9102C	2
37	N309503559	VIS M8X45 DE COLLIER DE BATTERIE RL9102C	1
38	N321841093	BRIDE G 20X15 RL9102C	2
39	S532113425363	SUPPORT TABLEAU DE BORD RL9102C	1
40	N309315016	VIS ST 6.3X19 DE SUPPORT RL9102C	2
41	N311210501	RONDELLE 5.3 RL9102C	2
42	N311129501	ECROU FREIN M8 RL9102C	5
43	N309578532	VIS M5X16 DE SUPPORT RL9102C	4
44	N311129524	ECROU FREIN M5 RL9102C	4
45	N532150290	ECROU M8 DIN 6926 8 Zinc RL9102C	6
46	N311129525	ECROU M6 DIN 6926 RL9102C	6
47	N532150903	SIEGE D'AXE DE VERROUILLAGE RL9102	8
48	N532150904	AXE DE VERROUILLAGE RL9102	8
49	S532913452013	RENFORT REPOSE PIEDS GAUCHE RL9102C	1
50	S532913452163	RENFORT REPOSE PIEDS DROIT RL9102C	1
51	N616100017	TRAPPE DE VISITE RL9102C	1
52	N532151003	RIVET DE TRAPPE DE VISITE RL9102C	2
53	N345211059	PRISE 12 V RL9102C	1
54	N345329017	CONTACTEUR DE LAME RL9102C	1



TONDEUSE AUTOPORTEE ROQUES & LECŒUR RL9102C 2019
(MOTEUR BRIGGS & STRATTON COMMERCIAL SERIES™ 7220)

BAC DE RAMASSAGE

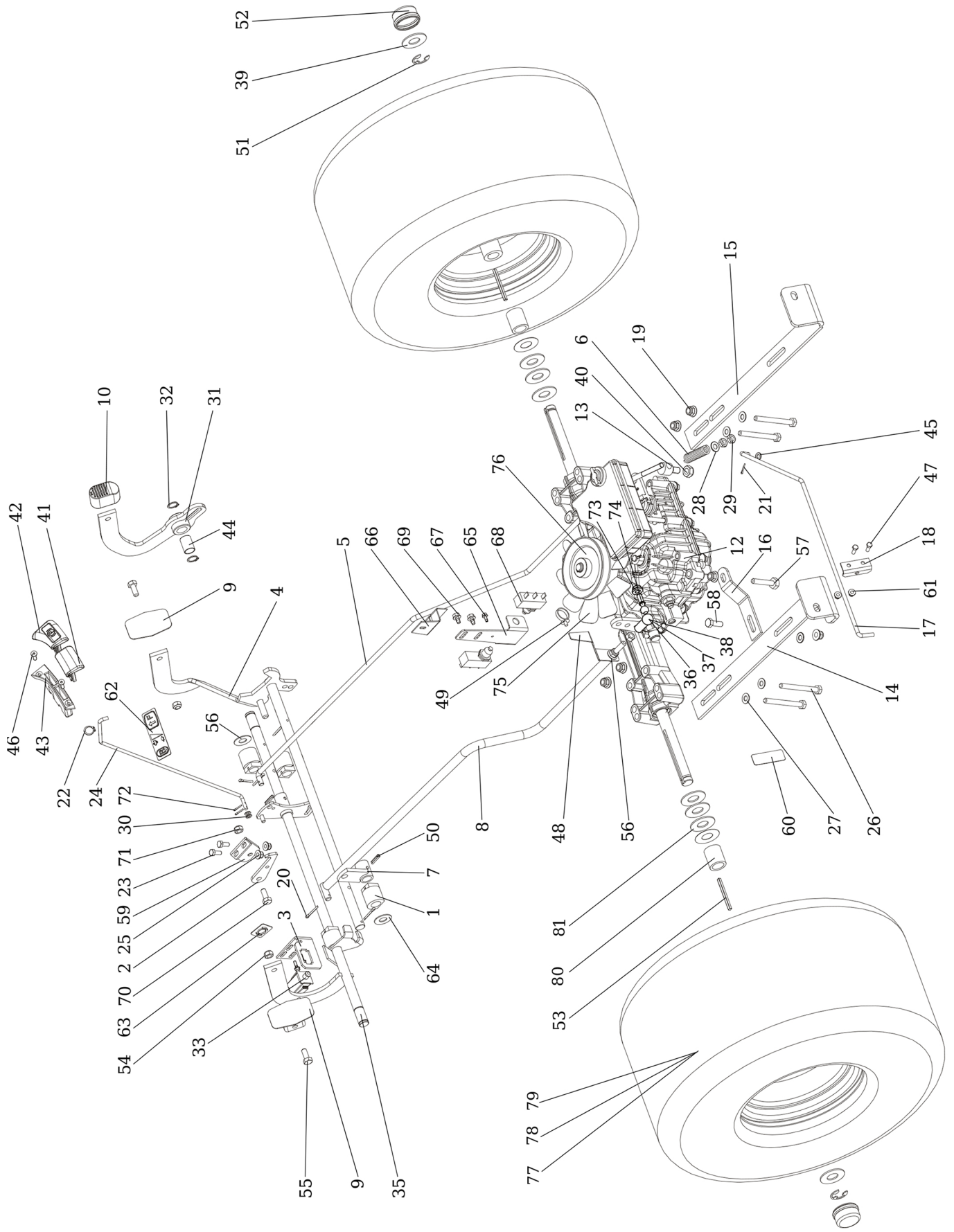
N°	REFERENCES	DESIGNATIONS	Qté
1	S532974472093	CHASSIS SUPERIEUR UJ RL9102C	1
2	S532074442263	CHASSIS AVANT EN U RL9102C	1
3	S532074442283	CHASSIS ARRIERE EN U RL9102C	1
4	S532074262143	TUBE DE CONNECTION INFERIEUR RL9102C	1
5	N532151371	POIGNEE SUPERIEURE ARRIERE RL9102C	1
6	N532151372	TOILE DE BAC RL9102C	1
7	S532015408543	SUPPORT DE POIGNEE RL9102C	1
8	S532074202013	LEVIER DE VIDANGE RL9102C	1
9	N532151120	POIGNEE DE LEVIER DE VIDANGE RL9102C	1
10	N309203548	VIS M5X12 DE LEVIER DE VIDANGE RL9102C	1
11	N309203539	VIS M5X16 RL9102C	10
12	N309203557	VIS M5X25 RL9102C	4
13	N309578535	VIS M8X20 BN 1206 RL9102C	2
14	N311129524	ECROU M5 DIN 6926 Zinc RL9102C	15
15	N309578547	VIS M8X35 KL 100 RIPP Zinc RL9102C	4
16	N532150290	ECROU M8 DIN 6926 8 Zinc RL9102C	2
17	N309315013	VIS ST 6.3X32 DE CAPOT RL9102C	4
18	N273192056	RONDELLE CAOUTCHOUC 6.4X14X1.2 RL9102C	4
19	S532097402233	LAMELLE RESSORT DE CONTACT RL9102C	1
20	N532151661	COUVRE BAC JAUNE UJ RL9102C	1
21	S532085412093	PLAQUE GUIDE HERBE RL9102C	1
22	N283293032	DEFLECTEUR ARRIERE DROIT RL9102C	1
23	N532151425	CAPUCHON DE VIS DE CAPOT RL9102C	4
24	N283293031	DEFLECTEUR ARRIERE GAUCHE RL9102C	1



TONDEUSE AUTOPORTEE ROQUES & LECŒUR RL9102C 2019
(MOTEUR BRIGGS & STRATTON COMMERCIAL SERIES™ 7220)

TUNNEL & SUPPORT BAC

N°	REFERENCES	DESIGNATIONS	Qté
1	S532113403233	RENFORT INFERIEUR PLAQUE AR. RL9102C	1
2	S532974422343	PLAQUE ARRIERE NOIRE RL9102C	1
3	S532974432523	SUPPORT GAUCHE DE BAC RL9102C	1
4	S532913369663	CROCHET GAUCHE SUPPORT DE BAC RL9102C	1
5	N309503510	VIS M10X30 DE CROCHET RL9102C	4
6	N311129523	ECROU M10 DIN 6926 Zinc RL9102C	4
7	S532974432513	SUPPORT DROIT DE BAC RL9102C	1
8	S532913369653	CROCHET DROIT DE BAC RL9102C	1
9	S532974472723	TUNNEL D'EJECTION ARRIERE MJ RL9102C	1
10	S532097464993	LAMELLE RESSORT RL9102C	1
11	N309019514	VIS M5X16 Zinc DE LAMELLE RL9102C	2
12	N311129524	ECROU M5 DE LAMELLE RL9102C	2
13	S532913402013	SUPPORT DROIT DE TUNNEL RL9102C	1
14	S532913405723	SUPPORT GAUCHE DE TUNNEL RL9102C	1
15	N309315017	VIS ST6.3X25 DE TUNNEL RL9102C	6
16	N309578011	VIS M8X25 DE SUPPORT TUNNEL RL9102C	2
17	N532150211	ATTACHE DE CABLE RL9102C	3
18	S532114302043	SUPPORT CONTACTEUR BAC PLEIN RL9102C	1
19	S532113408353	SUPPORT DE PLAQUE RL9102C	1
20	S532014417343	PLAQUE 1 DE BAC PLEIN RL9102C	1
21	S532014417353	PLAQUE 2 DE BAC PLEIN RL9102C	1
22	N309503579	VIS M6X10 DE PLAQUE 1 RL9102C	2
23	N309578545	VIS M6X10 DE PLAQUE 2 RL9102C	3
24	N345359004	CONTACTEUR DE BAC/BAC PLEIN RL9102C	2
25	S532085415813	COUVERCLE DE CONTACTEUR RL9102C	1
26	N309578544	VIS M5X12 DE COUVERCLE RL9102C	1
27	N309578011	VIS M8X25 DE PLAQUE RL9102C	6
28	N532150290	ECROU M8 DE PLAQUE ET SUPPORT RL9102	12
29	S532113402453	CROCHET D'ATTTELAGE RL9102C	1



TONDEUSE AUTOPORTEE ROQUES & LECŒUR RL9102C 2019
(MOTEUR BRIGGS & STRATTON COMMERCIAL SERIES™ 7220)

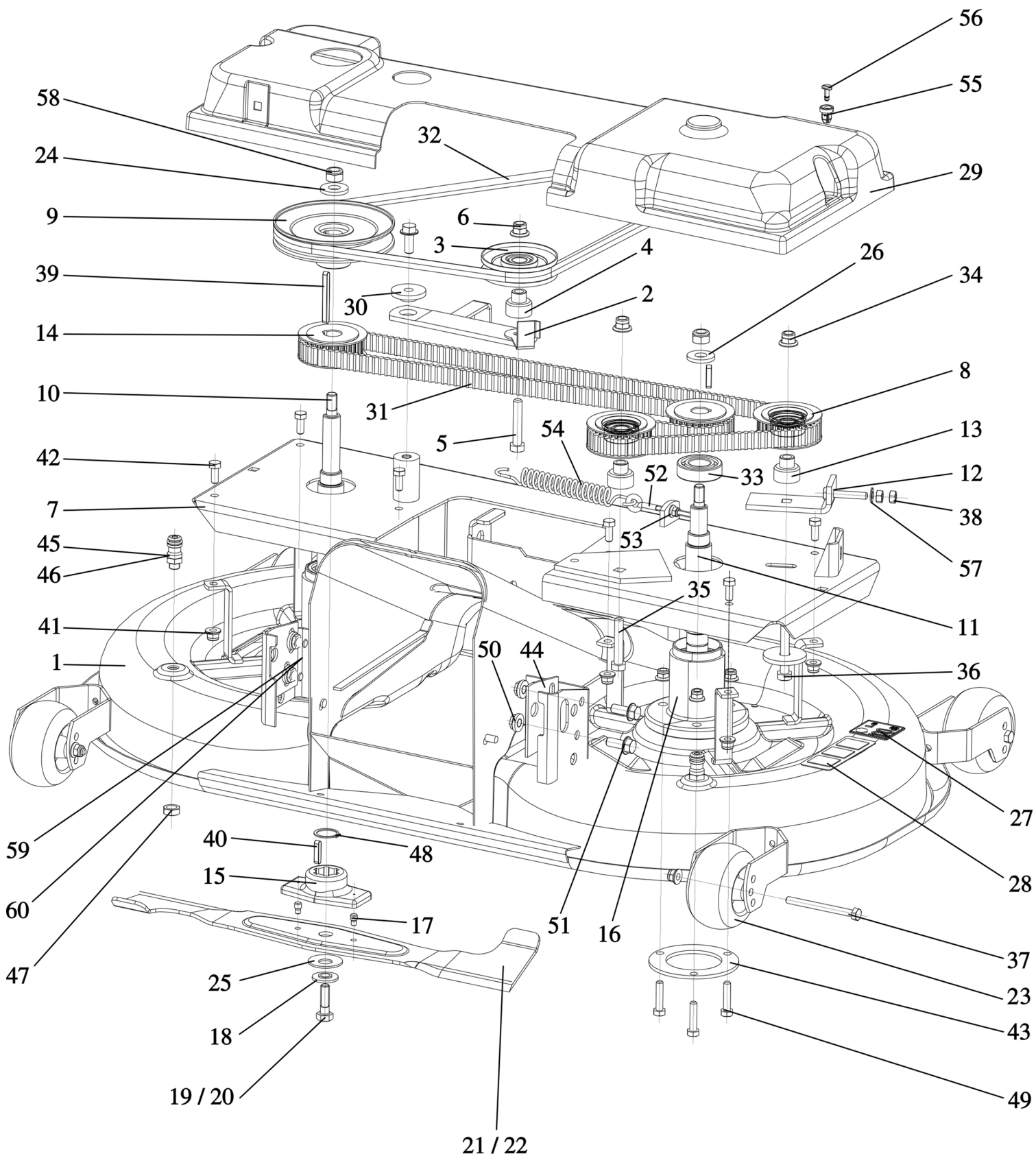
TRANSMISSION & FREIN

N°	REFERENCES	DESIGNATIONS	Qté
1	N722643024	DOUILLE D'AXE DE PEDALE RL9102C	4
2	S532037322233	CROCHET DE FREIN DE PARKING RL9102C	1
3	S532113408253	SUPPORT DE CONTACTEUR DE FREIN RL9102C	1
4	S532980442663	COMMANDE D'AVANCEMENT RL9102C	1
5	N532151364	TRINGLE DE FREIN RL9102C	1
6	N315231240	RESSORT DE TRINGLE DE FREIN RL9102C	1
7	S532980364823	BRAS DE COMMANDE RL9102C	1
8	S532980422483	TRINGLE D'AVANCEMENT RL9102C	1
9	N532151568	PEDALE MARCHE AVANT ET FREIN RL9102C	2
10	N273151013	COUVRE PEDALE MARCHE ARRIERE RL9102C	1
12	N532991052	TRANSMISSION TUFF TORQ K46 RL9102C	1
13	S532090164473	PIVOT DE TRINGLE DE FREIN RL9102C	1
14	S532113408693	SUPPORT GAUCHE DE BOITE RL9102C	1
15	S532113408703	SUPPORT DROIT DE BOITE RL9102C	1
16	S532113412043	SUPPORT LATERAL DROIT RL9102C	1
17	N532150724	LEVIER BYPASS RL9102C	1
18	S532113403913	SUPPORT DE LEVIER BY-PASS RL9102C	1
19	N532150290	ECROU M8 DIN 6926 8 Zinc RL9102C	7
20	N311338517	GOUPILLE 3.2x25 RL9102C	5
21	N311338516	GOUPILLE 3.2x20 RL9102C	1
22	N311733004	CIRCLIPS EXT.14 RL9102C	1
23	N309203539	VIS M5X16 DE PLAQUE RL9102C	2
24	N532151365	TRINGLE DE FREIN DE PARKING RL9102C	1
25	N311129524	ECROU FREIN M5 DE PLAQUE RL9102C	2
26	N309501571	VIS M8X80 DE SUPPORT BOITE RL9102C	4
27	N311210503	RONDELLE 8.4 RL9102C	7
28	N311212517	RONDELLE 9 Zinc DE TRINGLE DE FREIN RL9102C	1
29	N311120520	ECROU M8 DE TRINGLE DE FREIN RL9102C	2
30	N311210501	RONDELLE 5.3 RL9102C	2
31	S532980463483	COMMANDE DE MARCHE ARRIERE RL9102C	1
32	N311733006	CIRCLIPS EXT.16 RL9102C	2
33	N000532079	CONTACTEUR DE FREIN RL9102C	1
35	S532980442653	COMMANDE DE FREIN UJ RL9102C	1
36	N442073017	AXE SPHERIQUE 13 RL9102C	1
37	N311129520	ECROU M8 DIN 6923 8 Zinc RL9102C	1
38	N442073018	U DE BLOCAGE 13 RL9102C	1
39	S532092208153	RONDELLE RL9102C	6
40	N311129502	ECROU M10 DE PIVOT RL9102C	1
41	N321841094	BOUTON DE CRUISE CONTROL RL9102C	1
42	N443900150	BOUTON DE FREIN DE PARKING RL9102C	1
43	N443900151	SUPPORT DE BOUTON RL9102C	1
44	N323721006	DOUILLE DE PEDALE MARCHE AR. RL9102C	1
45	N311210502	RONDELLE 6.4 DE BY-PASS RL9102C	1
46	N309578510	VIS M5X25 DE SUPPORT BOUTON RL9102C	2
47	N309578544	VIS M5X12 DE SUPPORT LEVIER RL9102C	2
48	S532097412053	RESSORT DE REINITIALISATION RL9102C	1
49	N532150211	ATTACHE DE CABLE RL9102C	1
50	N315238037	GOUPILLE MECANINDUS 5X22 RL9102C	2
51	N311732023	CIRCLIPS E-75 3/4 DE ROUE ARRIERE RL9102C	2
52	N532150915	CAPUCHON DE ROUE ARRIERE RL9102C	2
53	N311726099	CLAVETTE DE ROUE ARRIERE RL9102C	2
54	N311129525	ECROU FREIN M6 RL9102C	5
55	N309503548	VIS M6X20 RL9102C	5
56	N311210507	RONDELLE 17 RL9102C	2
57	N309503559	VIS M8x45 DE SUPPORT RL9102C	1
58	N309503512	VIS M8X25 DE SUPPORT RL9102C	1

TONDEUSE AUTOPORTEE ROQUES & LECŒUR RL9102C 2019
(MOTEUR BRIGGS & STRATTON COMMERCIAL SERIES™ 7220)

TRANSMISSION & FREIN

N°	REFERENCES	DESIGNATIONS	Qté
59	S532113408683	SUPPORT DE CROCHET FREIN PARKING RL9102C	1
60	N283292192	ETIQUETTE DEBRAYAGE DE BOITE RL9102C	1
61	N311129524	ECROU FREIN M5 DE SUPPORT RL9102C	2
62	N283293028	ETIQUETTE AVANCEMENT RL9102C	1
63	N283293029	ETIQUETTE DE FREIN RL9102C	1
64	N311219496	RONDELLE 16X22X1 RL9102C	2
65	S532014402173	SUPPORT CONTACTEUR AVANCEMENT RL9102C	1
66	S532014412013	CAPOT DE CONTACTEUR RL9102C	1
67	N309578507	VIS M4X8 DE CAPOT RL9102C	1
68	N345359004	CONTACTEUR DE POINT MORT RL9102C	2
69	N309578545	VIS M6X10 DIN 7500 D RL9102C	2
70	N309503518	VIS M6X20 DE SUPPORT RL9102C	3
71	N311129501	ECROU M8 RL9102C	3
72	N311338513	GOUPILLE MECANINDUS 1.6X12 RL9102C	3
73	N311150503	ECROU FREIN M8 DE ROTULE RL9102C	1
74	N442073016	DOUILLE A BILLES 13 RL9102C	1
75	N532150376	VENTILATEUR DE BOITE RL9102C	1
76	S000000070137	POULIE DE BOITE K46 RL9102C	1
77	N532940165	ROUE ARRIERE C. 20X10.00-8 RL9102C	2
78	N325111023	JANTE DE ROUE ARRIERE 7.00IX8H2 RL9102C	2
79	N274161024	PNEU ARRIERE 20X810.00-8 MULTI TRAC RL9102C	2
80	S532195203503	ENTRETOISE ARBRE DE TRANSMISSION RL9102C	2
81	S532092208363	RONDELLE RL9102C	4



TONDEUSE AUTOPORTEE ROQUES & LECŒUR RL9102C 2019
(MOTEUR BRIGGS & STRATTON COMMERCIAL SERIES™ 7220)

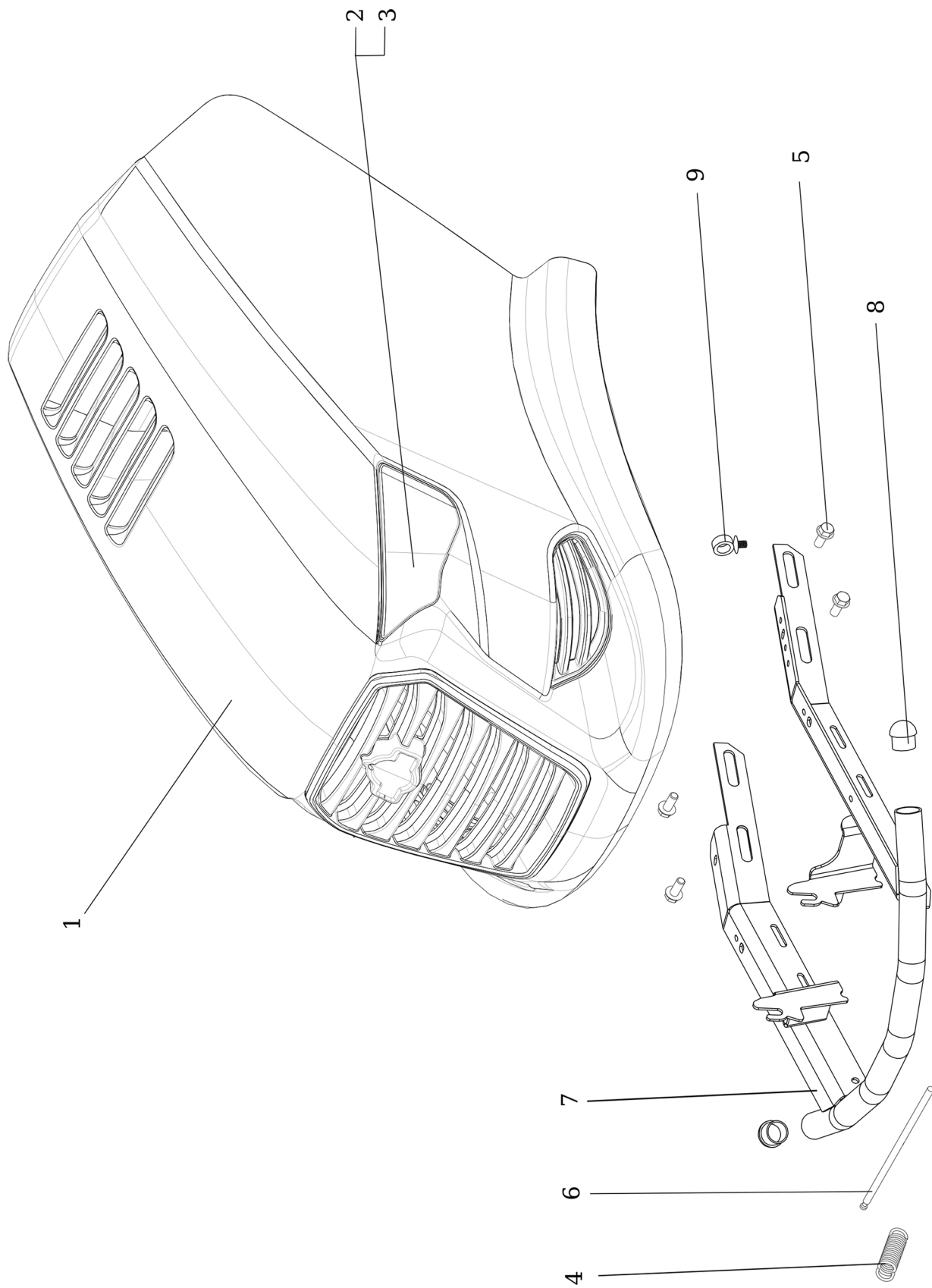
PLATEAU DE COUPE

N°	REFERENCES	DESIGNATIONS	Qté
1	S532950472353	PLATEAU DE COUPE NU RL9102C	1
2	S532913424393	SUPPORT DE POULIE TENDEUR RL9102C	1
3	N532150784	POULIE TENDEUR RL9102C	1
4	S532094212013	ENTRETOISE DE POULIE TENDEUR RL9102C	1
5	N309203525	VIS M10X55 DE POULIE TENDEUR RL9102C	1
6	N311129523	ECROU FREIN M10 DE POULIE TENDEUR RL9102C	1
7	S532985423963	PLAQUE COUVRE PALIER RL9102C	1
8	N532150836	POULIE CRANTEE DE TENSION RL9102C	2
9	N532150165	POULIE D'ENTRAINEMENT RL9102C	1
10	S532038128033	ARBRE DE PALIER GAUCHE RL9102C	1
11	S532038128023	ARBRE DE PALIER DROIT RL9102C	1
12	S532914412013	PATTE DE REGLAGE DE TENSION RL9102C	1
13	S532094212013	ENTRETOISE DE POULIE DE TENSION RL9102C	2
14	N532150860	POULIE CRANTEE DE PALIER RL9102C	2
15	S532098212403	SUPPORT DE LAME RL9102C	2
16	S532038523833	CARTER ALUMINIUM DE PALIER RL9102C	2
17	S532093117363	PION DE CENTRAGE DE LAME RL9102C	4
18	S532092207493	RONDELLE INFERIEURE DE LAME RL9102C	2
19	N309599008	VIS M10 DE LAME PAS A GAUCHE RL9102C	1
20	N309599017	VIS M10 DE LAME PAS A DROITE RL9102C	1
21	S532050422103	LAME VENTILLEE GAUCHE RL9102C	1
22	S532050422113	LAME VENTILLEE DROITE RL9102C	1
23	N532940128	ROULETTE ANTI-SCALPING RL9102C	4
24	S532092207273	RONDELLE PLATE RL9102C	2
25	N311219503	RONDELLE 40X16.3X2X3.1 DE LAME RL9102C	2
26	S532092207533	RONDELLE DE POULIE CRANTEE RL9102C	1
27	N283292437	ETIQUETTE 100 dB(A) RL9102C	1
28	N283292121	ETIQUETTE DE SECURITE RL9102C	2
29	N532151373	COUVRE COURROIE DE PLATEAU RL9102C	1
30	S532092212293	RONDELLE DE LEVIER TENDEUR RL9102C	1
31	N272211006	COURROIE CRANTEE 1760 RL9102C	1
32	N272731239	COURROIE D'ENTRAINEMENT 17X1425Li RL9102C	1
33	N324162099	ROULEMENT 6205-2RS DE PALIER RL9102C	4
34	N311129523	ECROU FREIN M10 RL9102C	2
35	N309203525	VIS M10X55 DE POULIE CRANTEE RL9102C	1
36	N309503577	VIS M10X60 DE POULIE CRANTEE RL9102C	1
37	N309501567	VIS M8X90 DE ROULETTE RL9102C	4
38	N311150503	ECROU M8 DE TENDEUR RL9102C	2
39	N311726086	CLAVETTE 6E7X6X63 RL9102C	1
40	N311726091	CLAVETTE 6E7X6X28 RL9102C	3
41	N532150290	ECROU FREIN M8 RL9102C	16
42	N309503518	VIS M8X20 DE PLAQUE RL9102C	6
43	S532098203373	PLAQUE DE RENFORT DE PALIER RL9102C	2
44	S532014417363	RENFORT DE SUPPORT PLATEAU RL9102C	2
45	N532150533	RACCORD DE LAVAGE RL9102C	2
46	N273111057	JOINT TORIQUE 10 DE RACCORD RL9102C	2
47	N311120511	ECROU M12 DE RACCORD RL9102C	2
48	N311733014	ANNEAU DE VERROUILLAGE 25 RL9102C	2
49	N309503543	VIS M8X35 DE PALIER RL9102C	6
50	N311129522	ECROU M10 DE PLAQUE DE RENFORT RL9102C	4
51	N309578529	VIS M10X25KL DACRON RL9102C	5
52	N309578523	VIS M6X80 A ŒIL DE TENDEUR RL9102C	1
53	N311129525	ECROU M6 DE VIS A OEIL RL9102C	1
54	N315231193	RESSORT DE TENSION RL9102C	1
55	N532150903	SIEGE D'AXE DE VERROUILLAGE RL9102C	2

TONDEUSE AUTOPORTEE ROQUES & LECŒUR RL9102C 2019
(MOTEUR BRIGGS & STRATTON COMMERCIAL SERIES™ 7220)

PLATEAU DE COUPE

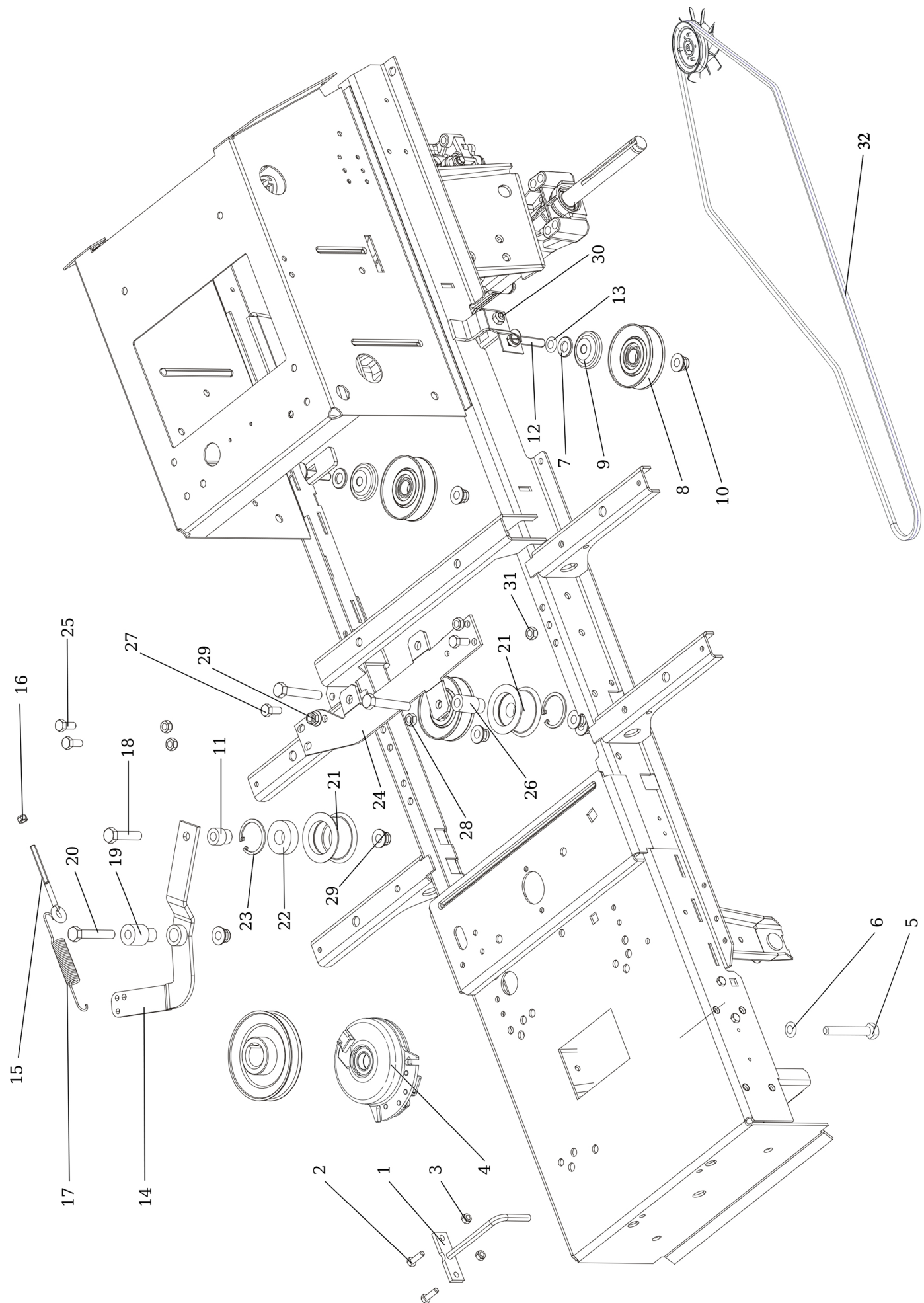
N°	REFERENCES	DESIGNATIONS	Qté
56	N532150904	AXE DE VERROUILLAGE RL9102C	2
57	N311212517	RONDELLE 9 ZINC DE TENDEUR RL9102C	1
58	N311129505	ECROU M12 DE POULIE RL9102C	2
59	S532114322063	BUTOIR GAUCHE RL9102C	1
60	N309578517	VIS M6X16 DE BUTOIR RL9102C	2



DEBROUSSAILLEUSE AUTOPORTEE ROQUES & LECŒUR RL1092 - 4WD 2019
(MOTEUR BRIGGS & STRATTON VANGUARD 23 HP - OHV - V-Twin)

CAPOT AVANT

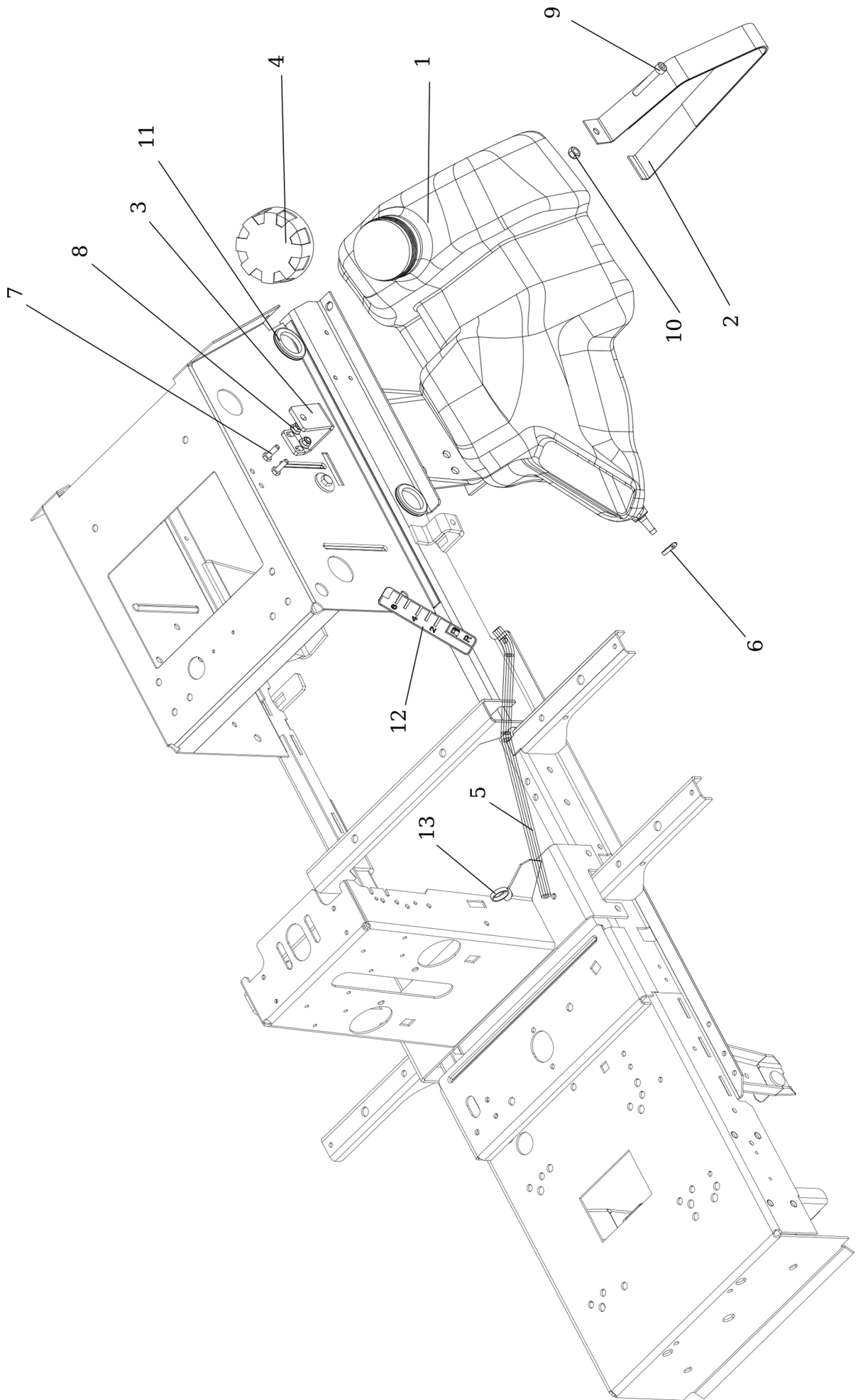
N°	REFERENCES	DESIGNATIONS	Qté
1	N532151663	CAPOT MOTEUR JAUNE COMPLET RL9102C	1
2	N347411004	FEU HALOGENE RL9102C	2
3	N341271163	FAISCEAU DE FEU RL9102C	1
4	N315231203	RESSORT DE CAPOT MOTEUR RL9102C	1
5	N309578554	VIS M10x25 DE PARE-CHOC RL9102C	4
6	S532013102143	BARRE DE SECURITE RL9102C	1
7	S532918452013	PARE-CHOC FRONTAL UJ RL9102C	1
8	N321841087	BOUCHON DE PARE-CHOC 40 MM RL9102C	2
9	N532150211	ATTACHE DE CABLE RL9102C	3



TONDEUSE AUTOPORTEE ROQUES & LECŒUR RL9102C 2019
(MOTEUR BRIGGS & STRATTON COMMERCIAL SERIES™ 7220)

EMBRAYAGE & AVANCEMENT

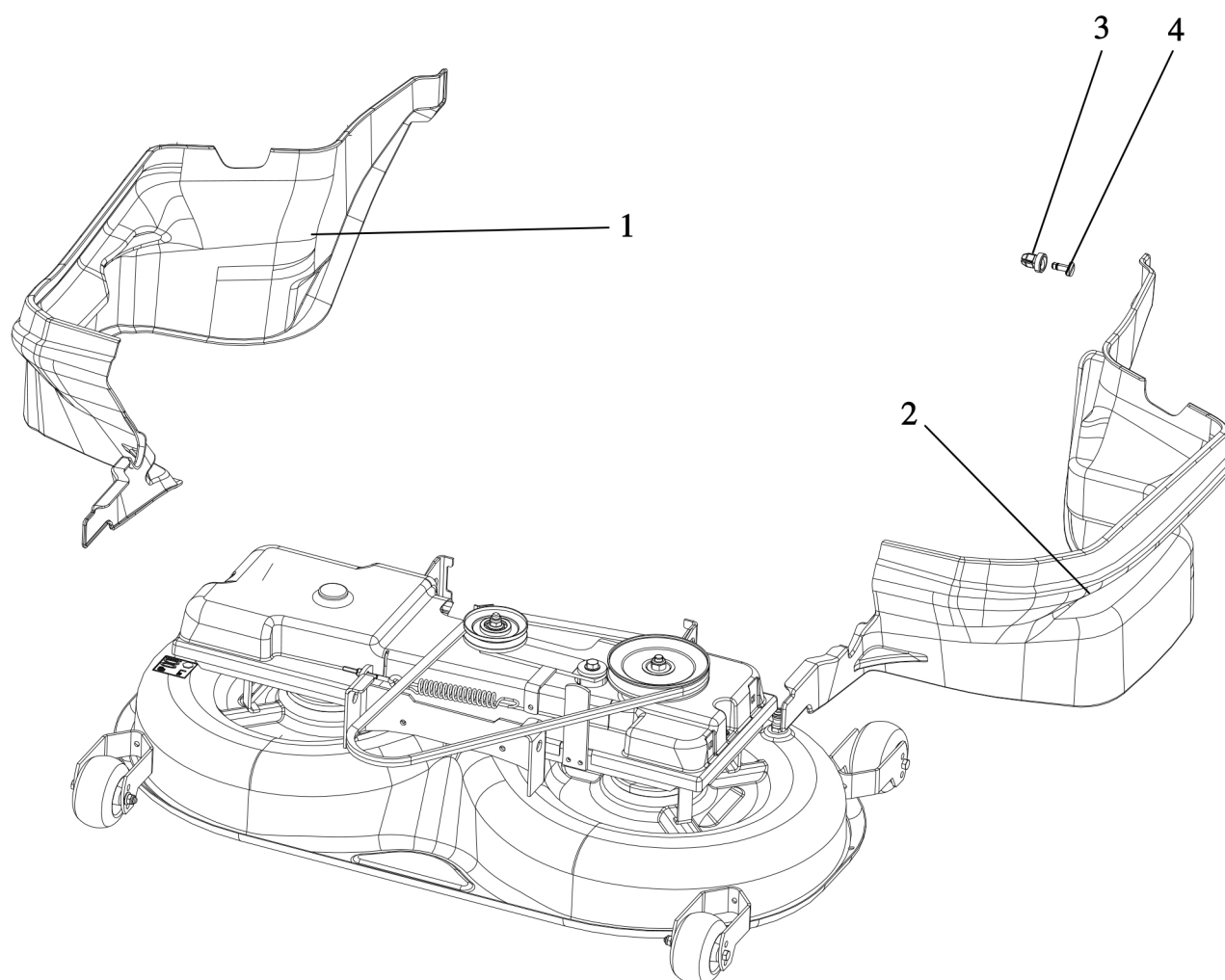
N°	REFERENCES	DESIGNATIONS	Qté
1	S532936362273	GUIDE COURROIE D'EMBRAYAGE RL9102C	1
2	N309503548	VIS M6X20 DE GUIDE COURROIE RL9102C	2
3	N311129525	ECROU FREIN M6 DE GUIDE COURROIE RL9102C	2
4	N532151196	EMBRAYAGE ELECTROMAGNETIQUE RL9102C	1
5	N309579511	VIS D'EMBRAYAGE UNF 7/16"X3" 10.9 ZINC RL9102C	1
6	N311219516	RONDELLE NL 11 D'EMBRAYAGE RL9102C	1
7	N311210504	RONDELLE 10.5 RL9102C	2
8	N532150824	POULIE GUIDE COURROIE RL9102C	3
9	N532151119	ENTRETOISE DE POULIE GUIDE COURROIE RL9102C	2
10	N311129523	ECROU FREIN M10 RL9102C	6
11	S532094214473	ENTRETOISE DE POULIE TENDEUR RL9102C	1
12	N309019531	VIS M10X45 DE POULIE GUIDE COURROIE RL9102C	2
13	N311210505	RONDELLE 13 DE POULIE GUIDE COURROIE RL9102C	2
14	S532913323073	BRAS DE POULIE TENDEUR RL9102C	1
15	N309578523	VIS A ŒIL M6X80 DE TENDEUR RL9102C	1
16	N311129513	ECROU M6 DE VIS A OEIL RL9102C	1
17	N315231270	RESSORT DE TENSION RL9102C	1
18	N309203544	VIS M10X45 DE POULIE TENDEUR RL9102C	1
19	S532094216023	ENTRETOISE DE BRAS TENDEUR RL9102C	1
20	N309503577	VIS M10X60 DE POULIE RL9102C	3
21	N532151361	POULIE DE TENSION RL9102C	2
22	N324162098	ROULEMENT 6203-2RS DE POULIE RL9102C	2
23	N311733079	CIRCLIPS INT. 40 DE POULIE RL9102C	2
24	S532113422033	SUPPORT DE POULIE RL9102C	1
25	N309503518	VIS M8X20 DE SUPPORT RL9102C	4
26	S532094214173	ENTRETOISE DE POULIE RL9102C	2
27	N309501536	VIS M8X65 DE POULIE RL9102C	1
28	N311150503	ECROU FREIN M8 RL9102C	1
29	N532150290	ECROU M8 DIN 6926 8 Zinc RL9102C	2
30	N309203503	VIS M8X16 DE SUPPORT POULIE RL9102C	2
31	N311129501	ECROU FREIN M8 RL9102C	6
32	N272731252	COURROIE DE TRANSMISSION 13X2620 Li RL9102C	1



TONDEUSE AUTOPORTEE ROQUES & LECŒUR RL9102C 2019
(MOTEUR BRIGGS & STRATTON COMMERCIAL SERIES™ 7220)

RESERVOIR

N°	REFERENCES	DESIGNATIONS	Qté
1	N232130026	RESERVOIR A ESSENCE RL9102C	1
2	S532013422013	SANGLE DE RESERVOIR RL9102C	1
3	S532013425133	SUPPORT DE SANGLE RL9102C	1
4	N321841017	BOUCHON RESERVOIR ESSENCE RL9102C	1
5	S532986018003	TUYAU ESSENCE RL9102C	1
6	N000532058	CLIP DE TUYAU ESSENCE RL9102C	2
7	N309503548	VIS M6X20 DE SUPPORT SANGLE RL9102C	2
8	N311129525	ECROU FREIN M6 RL9102C	2
9	N309503574	VIS M8X50 DE SANGLE DE RESERVOIR RL9102C	1
10	N311129501	ECROU FREIN M8 RL9102C	1
11	N273121038	PATIN DE RESERVOIR RL9102C	2
12	N283293026	ETIQUETTE DE NIVEAU ESSENCE RL9102C	1
13	N532150211	ATTACHE DE TUYAU RL9102C	1



TONDEUSE AUTOPORTEE ROQUES & LECŒUR RL9102C 2019
 (MOTEUR BRIGGS & STRATTON COMMERCIAL SERIES™7220)

PROTECTION

N°	REFERENCES	DESIGNATIONS	Qté
1	N532151437	CAPOT COURROIE DROIT RL9102C	1
2	N532151436	CAPOT COURROIE GAUCHE RL90102C	1
3	N532150903	SIEGE D'AXE DE VERROUILLAGE RL9102C	10
4	N532150904	AXE DE VERROUILLAGE RL9102C	10