

# ST. S.P.A.

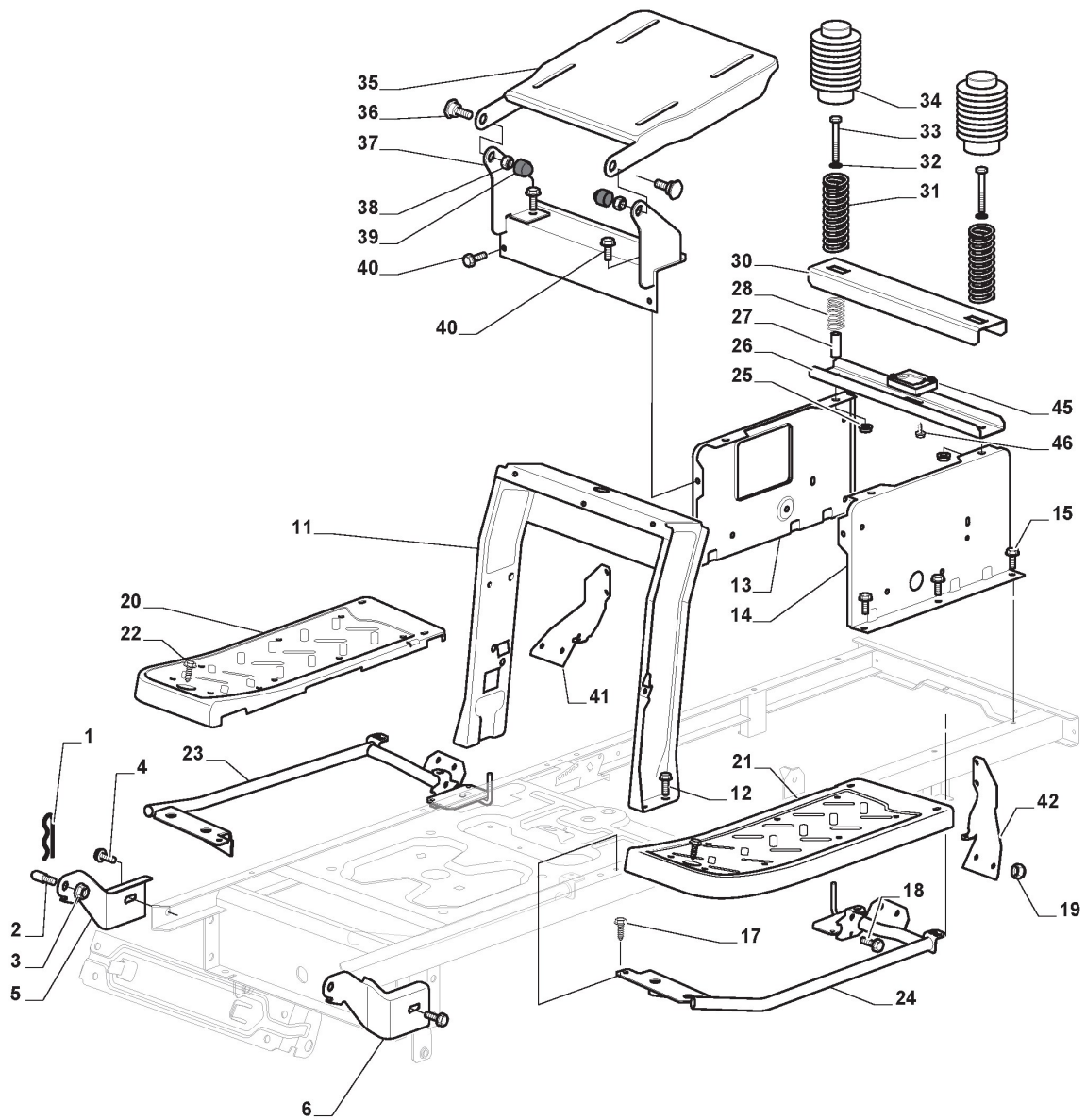
**RL 984 (2020)**

2T2110471/RL

**Spare parts list**  
**Reservdelar**  
**Repuestos**  
**Ersatzteile**  
**Pièces détachées**  
**Reserve onderdelen**  
**Catalogo ricambi**

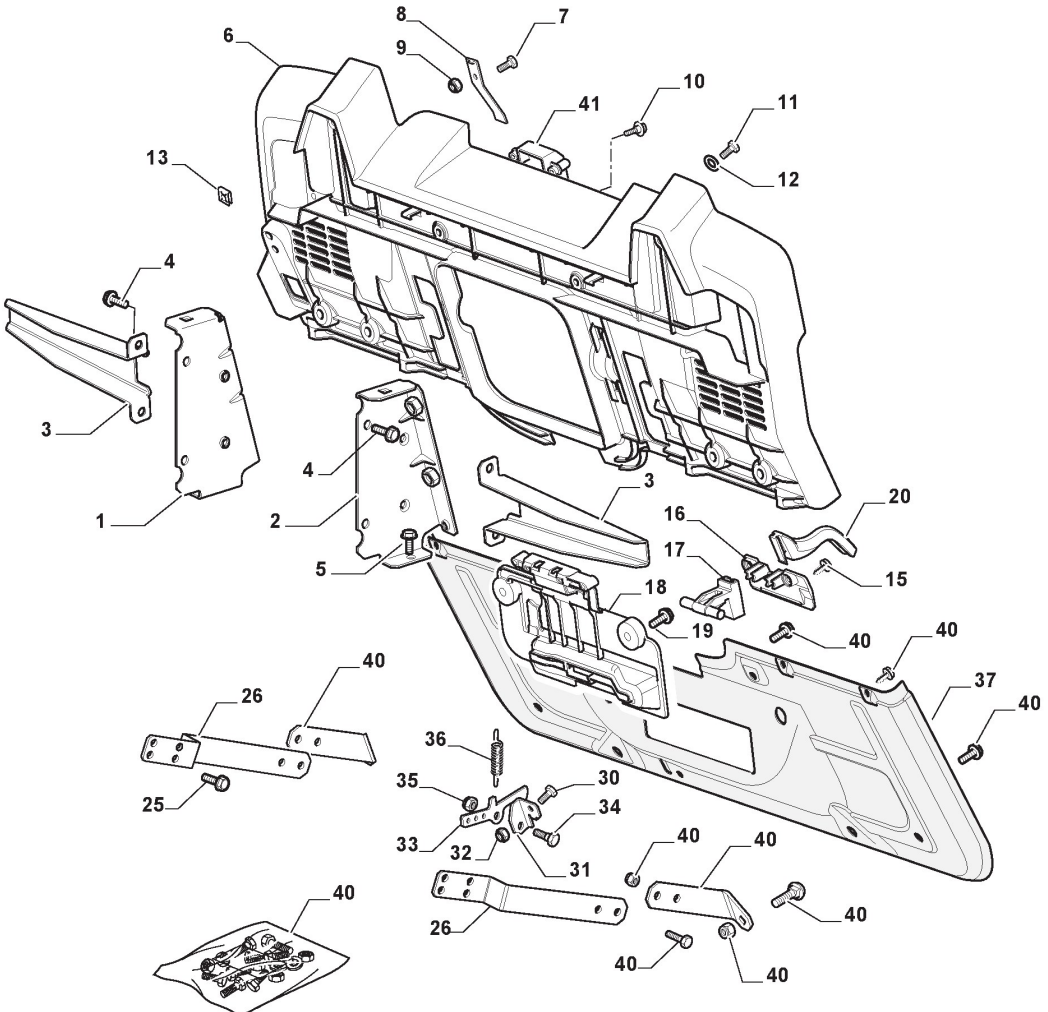
- Use ST. S.p.A. Genuine Spare Parts specified in the parts list for repair and/or replacement.
- The contents described in the parts list may change due to improvement.
- The drawings of the spare parts are only indicative And might Not represent the part in question exactly.
- The indications "right" - "left" - "front" - "rear" refer to the position of the operator when using the machine.
- When placing orders of parts for repair And/Or replacement, make sure that the illustrated parts list Is the one applying to the machine's year of manufacture, as shown on the identification plate attached to the machine.

All rights reserved. No part Of this material may be reproduced Or transmitted, in any form Or by any means, electronic Or mechanical, including photocopying, recording Or by any information storage And retrieval system, without permission in writing from ST. S.p.A.



# Chassis

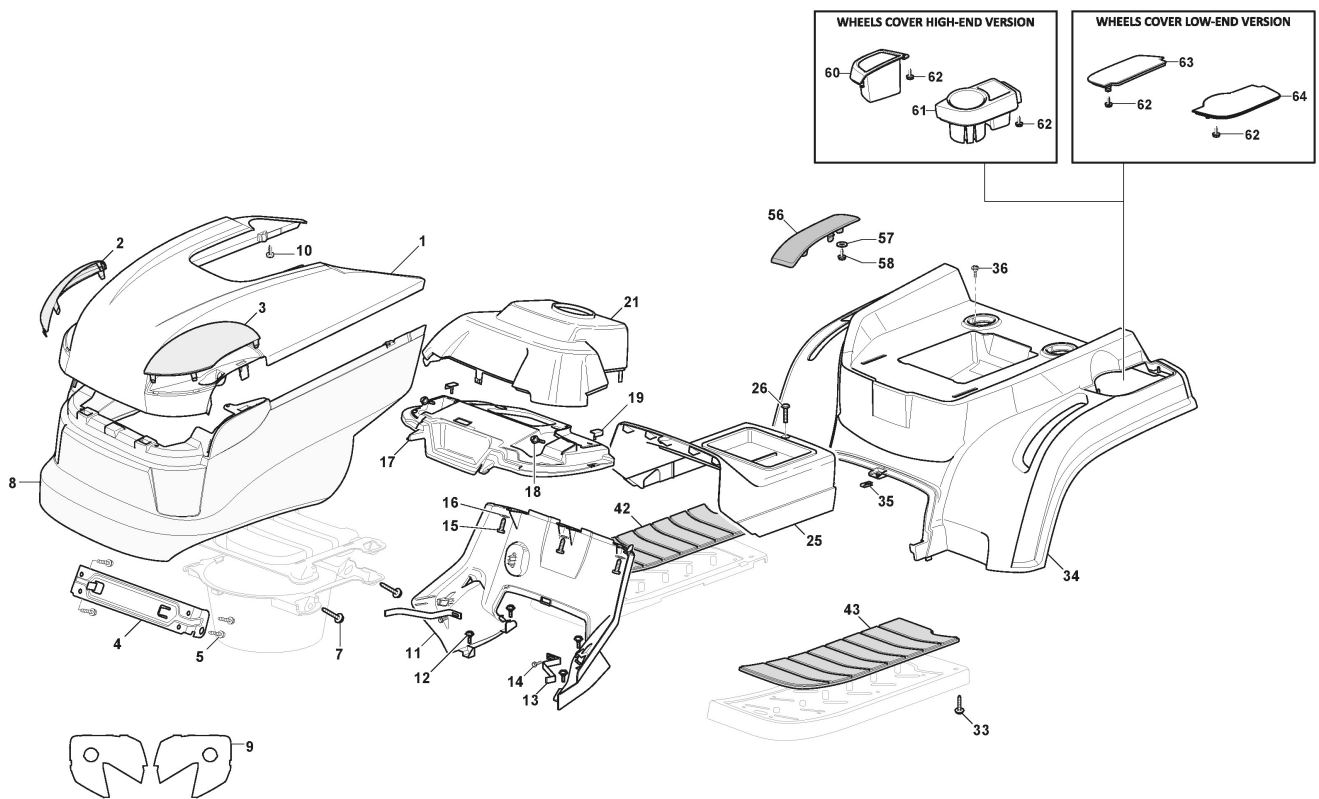
Réf. N°	Q.té :	Code article	Description	Articles	De	Jusqu'à
1	1	124487998/0	Goupille			
2	2	125510079/0	Pivot			To S/N 19DA3RON
2	2	125510169/0	Pivot		From S/N 19DA3RON 003315	
3	2	112155000/0	Ecrou			
4	2	112735599/0	Vis			
5	1	325547225/0	Plaquette Droit			
6	1	325547227/0	Plaquette Gauche			
11	1	382785169/1	Support Tube De Direction			
12	4	125943009/0	Vis			
13	1	325785331/1	Support Siege Droit			
14	1	325785333/1	Support Siege Gauche			
15	6	125943009/0	Vis			
17	2	125943009/0	Vis			
18	2	125943009/0	Vis			
19	10	112155000/0	Ecrou			
20	1	325500041/1	Marchepied Droit			
21	1	325500043/1	Marchepied Gauche			
22	2	112735599/0	Vis			
23	1	382785223/0	Support Marchepied			
24	1	382785221/0	Support Marchepied			
25	2	112293201/0	Ecrou			
26	1	325820109/1	Support Siege			
27	2	125160048/0	Entretoise		From 01-Septem ber-2014	To
27	2	125160077/0	Entretoise			
28	2	125430263/0	Ressort			
30	1	325820111/0	Support			
31	2	125430264/0	Ressort			
32	2	112521350/0	Rondelle			
33	2	112691400/0	Vis			
34	2	325122002/0	Protecteur			
35	1	382547061/0	Plaquette			
36	2	122524970/2	Pivot			To
36	2	122524970/3	Goupille		From 01-Septem ber-2014	To S/N 20EA3RON
37	1	382820151/0	Support Siege			
37	1	382820151/1	Support Siege		From S/N 20EA3RON 000612	
38	2	112155010/0	Ecrou			
39	2	118203854/0	Capot			
40	12	125943009/0	Vis			
41	1	325650155/0	Support			To S/N 00271854
41	1	325650155/1	Support		S/N 269797	To S/N 20EA3RON
41	1	325650155/2	Support		From S/N 20BA3RON 006585	To S/N 20EA3RON
42	1	325650157/0	Support			To S/N 20EA3RON
42	1	325650157/1	Support		From S/N DD325495	To S/N 20AA3RON
42	1	325650157/2	Support		From S/N 20EA3RON	007470
45	1	325785379/0	Support			
46	2	112728686/0	Vis			





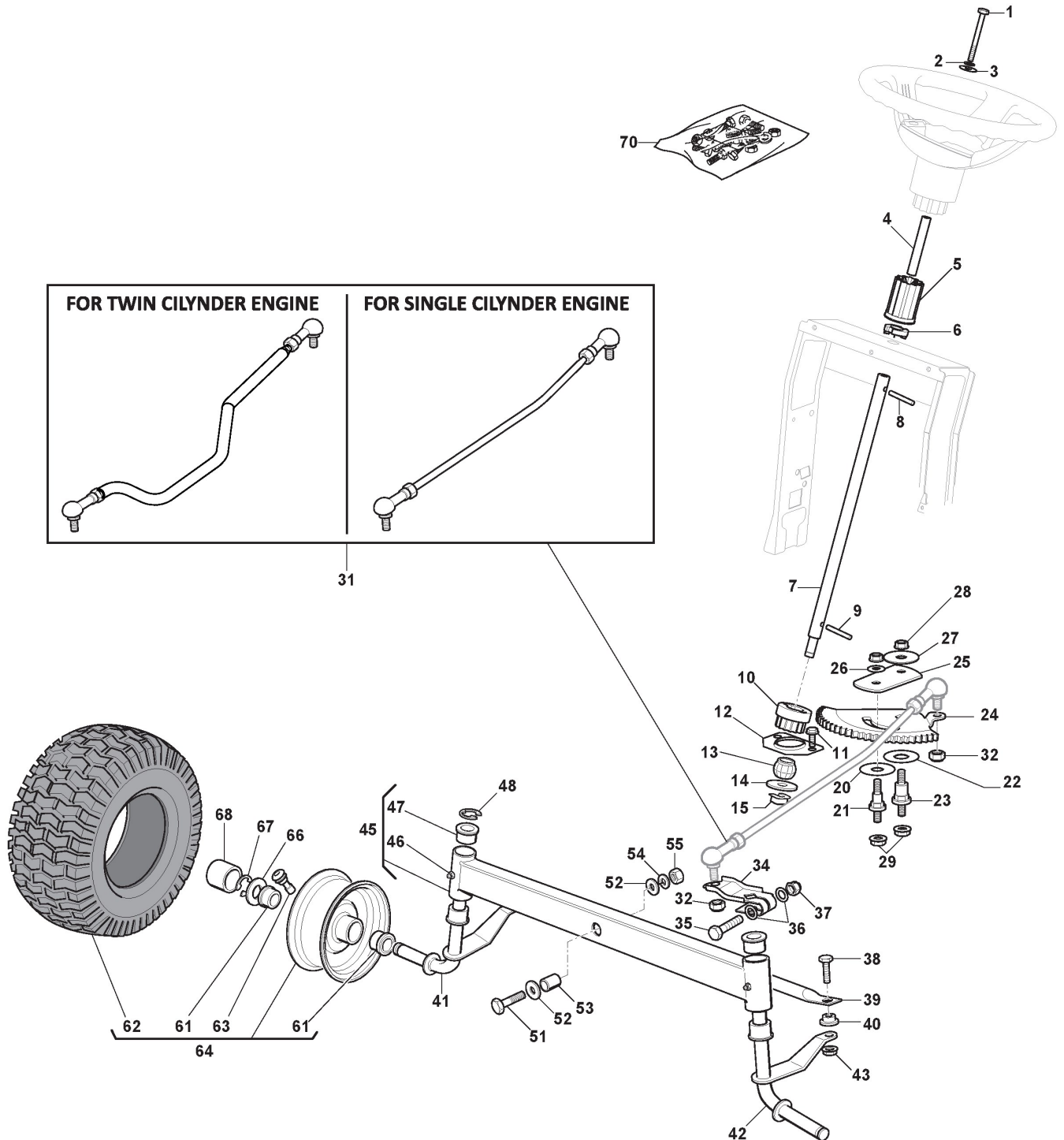
# Frame - Rear Plate

Réf. N°	Q.té :	Code article	Description	Articles	De	Jusqu'à
1	1	325774501/0	Etrier			
2	1	325774507/0	Etrier			
3	2	325650163/0	Renforcement			
4	8	125943009/0	Vis			
5	2	125943009/0	Vis			
6	1	325547299/1	Plaque Arriere, Partie Superieur			
7	1	112789008/0	Vis			
8	1	127430600/0	Ressort			
9	1	112154330/0	Ecrou			
10	4	125943010/0	Vis			
11	6	112789008/0	Vis			
12	6	112523020/0	Rondelle			
13	6	112437503/0	Plaquette			
15	2	112728686/0	Vis			
16	1	325109522/0	Couvercle Protection			
17	1	325318276/0	Levier			
18	1	325785428/0	Support			
19	2	125943010/0	Vis			
20	1	325318277/0	Levier	Also on endowment p40		
25	4	112793102/0	Vis			
26	2	325774521/0	Etrier			
30	1	112789008/0	Vis			
31	1	325755061/0	Etrier			
32	1	112154330/0	Ecrou			
33	1	325774533/0	Etrier			
34	1	125510080/2	Pivot			
35	1	112154510/0	Ecrou			
36	1	125430282/1	Ressort			
37	1	382547071/1	Plaque Arriere, Partie Inferieur			
40	1	382180146/0	Dotation Visserie			
41	1	325600107/0	Protection Micro			



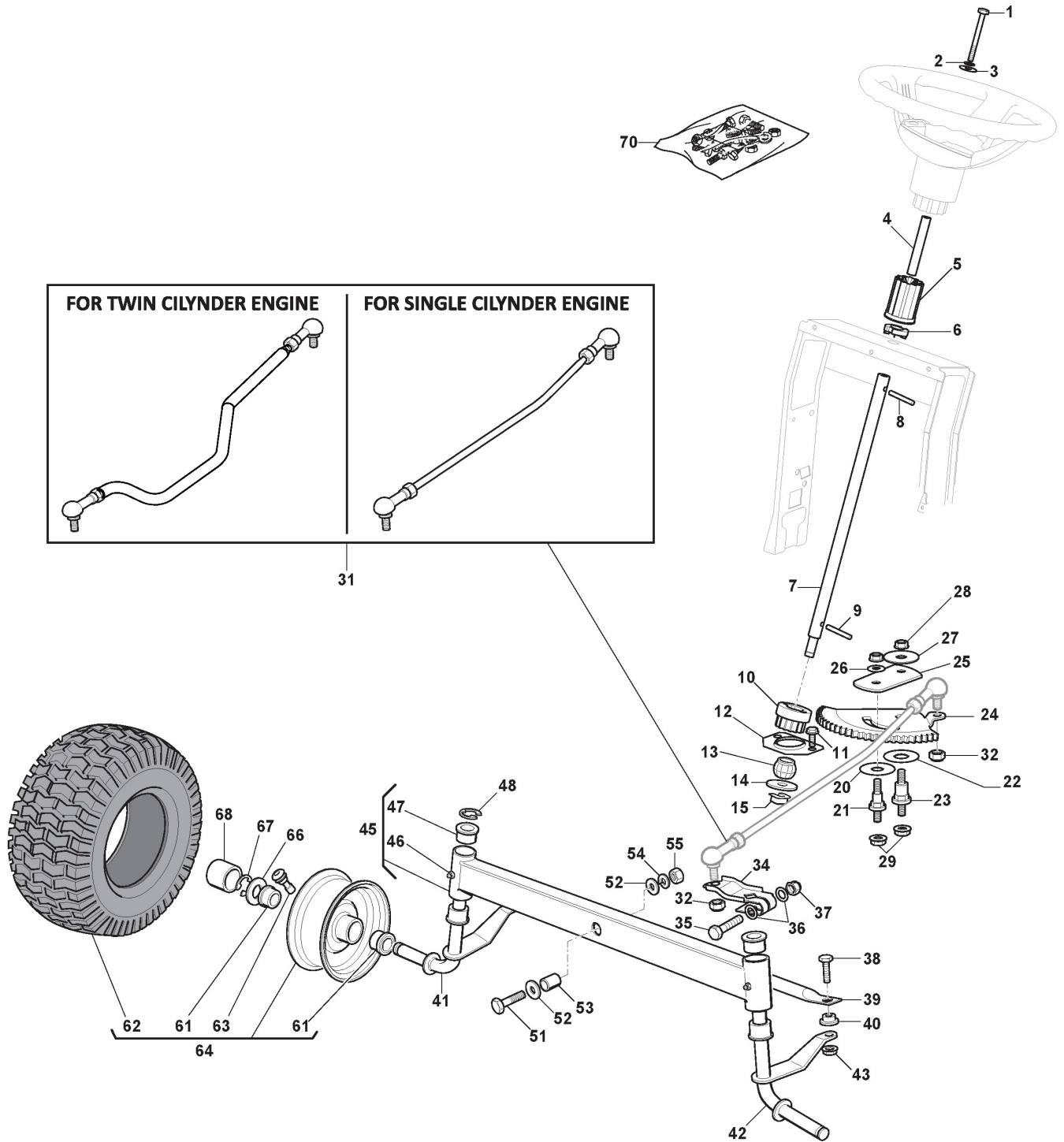
# Carrosserie

Réf. N°	Q.té :	Code article	Description	Articles	De	Jusqu'à
1	1	325076910/0	Capot Superieure Rouge	Light Red		To
1	1	325076910/1	Capot Superieure Rouge	Light Red	From	31-August-2016
1	1	325076980/0	Capot Rouge	Dark Red		
2	1	325410901/0	Panneau Droit			
3	1	325410902/0	Panneau Gauche			
4	1	325785365/0	Support Capot			
5	4	112735403/0	Vis			
7	4	112728692/0	Vis			
8	1	325076911/0	Capot Inferieure			To
8	1	325076911/1	Capot Inferieure		From	31-August-2013
9	1	114363452/0	Autocollant Parabole Phare			
9	1	114365476/1	Autocollant Parabole Phare			
10	2	112728686/0	Vis			
11	1	325785298/0	Support Tableau Comm.			
12	4	125943010/0	Vis			
13	2	325270325/0	Guide			
14	2	112735599/0	Vis			
15	3	112735406/0	Vis			
16	3	112523040/0	Rondelle			
17	1	325120202/1	Console			To
17	1	325120209/0	Console		From	To
17	1	325120259/0	Console		01-Septem	31-August-
17	1	325120259/1	Console		ber-2012	2014
17	1	325120259/2	Console		From	To
17	1	325120259/2	Console		01-Septem	31-August-
17	1	325120259/2	Console		ber-2015	2017
18	2	125943010/0	Vis			
19	2	325260003/0	Caoutchouc			
21	1	325120203/0	Couvercle			
25	1	325110383/1	Couvre, Rouge	Light Red		To
25	1	325110383/2	Couvre, Rouge	Light Red	From	
25	1	325110478/0	Couvre Central Rouge	Dark Red	01-Septem	
25	1	325110478/0	Couvre Central Rouge	Dark Red	ber-2016	
26	1	125943010/0	Vis			
33	4	112735406/0	Vis			
34	1	325110432/0	Couvre Roues Rouge	Light Red		To
34	1	325110432/1	Couvre Roues Rouge	Light Red	From	31-August-
34	1	325110480/0	Couvre Roues Rouge	Dark Red		2016
35	1	112437506/0	Plaquette			
36	2	125943010/0	Vis			
42	1	325110384/0	Couvre Marchepied Droit	As Optional - Not present on all assortment		
43	1	325110385/0	Couvre Marchepied Gauche	As Optional - Not present on all assortment		
56	1	325207203/0	Couvercle			
57	4	112523050/0	Rondelle			
58	2	112735403/0	Vis			
60	1	325207198/0	Couvercle			
61	1	325207199/0	Couvercle			
62	4	112735403/0	Vis			
63	1	325207196/0	Couvercle			
64	1	325207197/0	Couvercle			



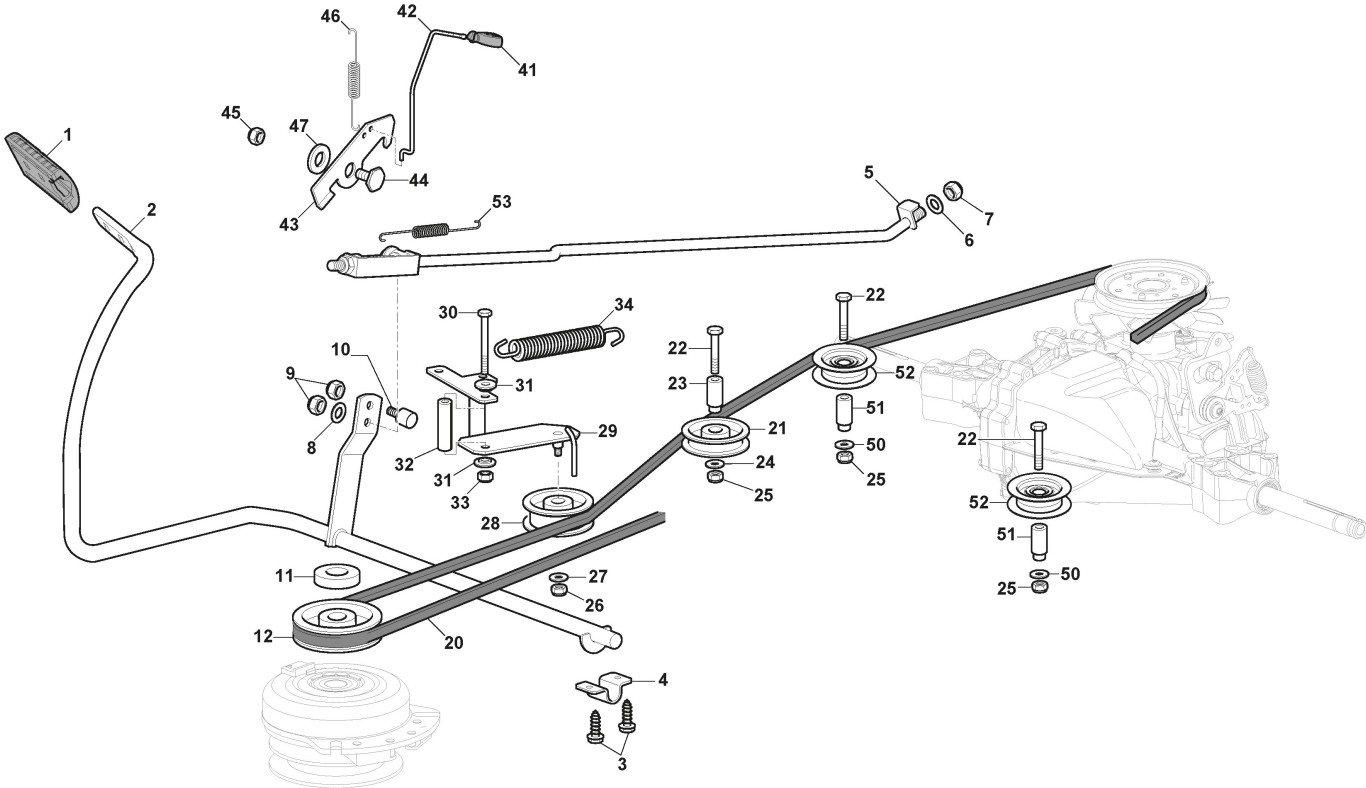
# Barre De Direction

Réf. N°	Q.té :	Code article	Description	Articles	De	Jusqu'à
1	1	112692050/0	Vis			
2	1	112540260/0	Rondelle			
3	1	112523070/0	Rondelle			
4	1	125160047/0	Entretoise			
5	1	325785318/0	Support			
6	1	325038008/0	Douille			
7	1	125520007/0	Tube De Direction			
8	1	112620300/0	Ressort			
9	1	112622650/0	Goupille			
10	1	125570003/0	Pignon			
11	2	127943051/0	Vis			
12	1	325785213/1	Support			
13	1	325743000/0	Joint			
14	1	112521370/0	Rondelle			
15	1	112436030/0	Plaquette			
20	1	322672151/0	Rondelle Antifricion			
21	1	125510104/0	Pivot			To S/N 19LA3RON 007423
21	1	125510173/0	Pivot		From S/N 19FA3RON 000287	
22	1	125670023/0	Rondelle			
23	1	125510109/0	Pivot			To S/N 19FA3RON 000287
23	1	125510165/0	Pivot		From S/N 19FA3RON 000287	
24	1	325735519/0	Secteur Direction			
25	1	325547233/0	Plaquette			
26	1	112369500/0	Disque Elastique			
27	1	122160400/0	Disque Elastique			
28	2	112155010/0	Ecrou			
29	2	112155010/0	Ecrou			
31	1	382000566/2	Barre De Direction	For Single Cylinder Engine		
32	2	112156602/0	Ecrou			
34	1	325318243/0	Levier			To S/N 19FA3RON 000287
34	1	382318323/0	Levier commande de direction		From 17-June-20 19	To S/N 19FA3RON 000055
35	1	112692390/0	Vis			To S/N 19FA3RON 000055
35	1	112692395/2	Vis		From 17-June-20 19	To S/N 19FA3RON 000103
36	2	112521360/0	Rondelle	no more needed		To S/N 19FA3RON 000103
37	1	112155020/0	Ecrou		From 17-June-20 19	To S/N 19FA3RON 000103
37	1	112156602/0	Ecrou			To S/N 19FA3RON 000103
38	2	125510103/0	Pivot			
39	1	325840029/0	Tirant			
40	2	325038007/0	Douille			
41	1	382230373/0	Fuseau Droit			To S/N 19FA3RON 000055
41	1	382230373/1	Fuseau Droit		From S/N 19FA3RON 000055	To S/N 19FA3RON 000103
42	1	382230375/0	Fuseau Gauche			To S/N 19FA3RON 000103
42	1	382230375/1	Fuseau Gauche		From S/N 19FA3RON 000103	
43	2	112155000/0	Ecrou			
45	1	382034030/0	Balancier Avec Douille Et Graisseur			
46	2	112379511/0	Graisseur			
47	4	125034002/1	Douille			
48	1	112001010/0	Anneau Benzing			



## Barre De Direction

Réf. N°	Q.té :	Code article	Description	Articles	De	Jusqu'à
51	1	112692695/0	Vis			
52	2	112523100/0	Rondelle			
53	1	125160016/1	Entretoise			
54	1	112587100/0	Grower			
55	1	112295300/0	Ecrou			
61	4	125122200/2	Roulement			
62	2	125590019/0	Pneu 15x6.00-6 P512 WANDA	15"		
63	2	125950000/0	Vanne			
64	2	382680051/0	Ens. Roue	15" - P512		
66	2	125670005/2	Rondelle			
67	2	112001010/0	Anneau Benzing			
68	2	322110233/0	Couvre Moyeu	Standard Cover		
70	1	382180142/0	Dotation Visserie	Pos 1-4 incl.		

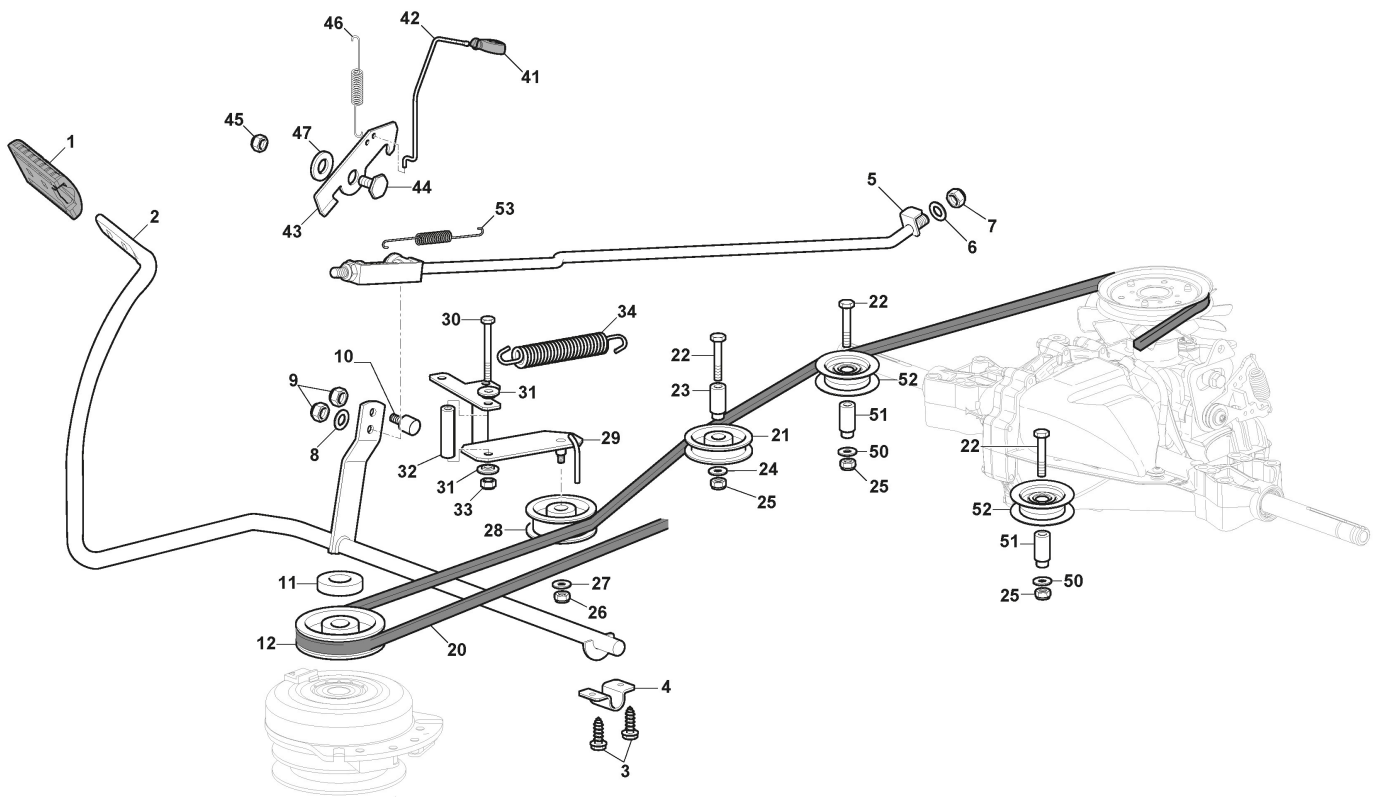




# Commande Frein Et Boite De Vitesse

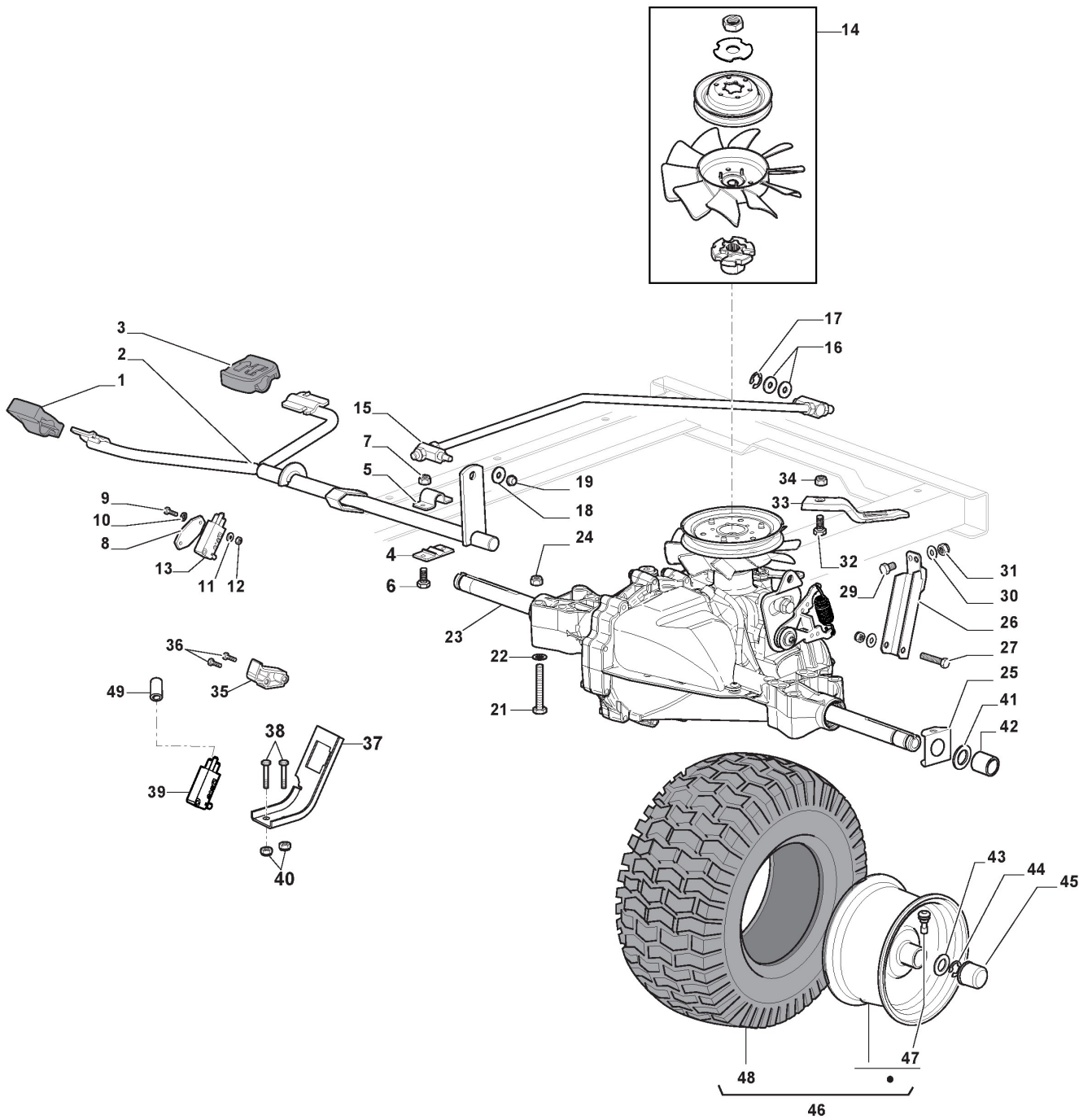
Réf. N°	Q.té :	Code article	Description	Articles	De	Jusqu'à
1	1	325110409/0	Couvre Etrier			
2	1	382000641/0	Pedal			To S/N
2	1	382000641/1	Pedal		From S/N 19FA3RON 000275	
3	4	112735599/0	Vis			
4	2	325547231/0	Plaquette			To S/N
4	2	325547231/1	Plaquette		From S/N 20JA3RON 000566	
5	1	382000636/0	Tige			
6	1	112521360/0	Rondelle			
7	1	112156602/0	Ecrou			
8	1	325670011/0	Rondelle Antifriction			
9	2	112155000/0	Ecrou			
10	1	125510116/0	Pivot			To S/N
10	1	125510166/0	Pivot		From S/N 19DA3RON 003315	
11	1	125160021/0	Entretoise			
12	1	125601577/0	Poulie			
20	1	135062001/0	Courroie Trapézoïdale			To
20	1	135062020/1	Courroie Trapézoïdale		From	
21	1	125601555/0	Poulie		01-Septem ber-2014	To
21	1	325601599/0	Poulie		From	
22	3	112691400/0	Vis		01-Septem ber-2013	
23	1	125160051/0	Entretoise			To S/N
23	1	125160083/0	Entretoise		S/N	00088193
23	1	125160107/0	Entretoise		From S/N 19JA3RON 001862	To S/N
24	3	112523060/0	Rondelle			
25	3	112155000/0	Ecrou			
26	1	112155000/0	Ecrou			
27	1	112523060/0	Rondelle			
28	1	125601554/0	Poulie			
29	1	382318245/0	Levier			
30	1	112691600/0	Vis			
31	2	125038002/1	Douille			To
31	2	125038021/0	Douille		From	31-August- 2016
32	1	125160027/0	Entretoise			
33	1	112155000/0	Ecrou			
34	1	125430262/0	Ressort			
41	1	125394509/1	Poignée		From	
41	1	325394534/0	Poignée			To
42	1	125033083/0	Tige			31-August- 2013
42	1	125033113/0	Tige		From	
43	1	325253011/1	Accrochage		01-Septem ber-2013	
44	1	122524970/2	Pivot			To
44	1	122524970/3	Goupille		From	31-August- 2014
45	1	112155000/0	Ecrou			
46	1	125430213/0	Ressort			
47	1	112523060/0	Rondelle			
50	2	112521350/0	Rondelle			
51	2	125160068/0	Entretoise			To S/N
51	2	125160111/0	Entretoise		From S/N 19FA3RON	000496





# Commande Frein Et Boite De Vitesse

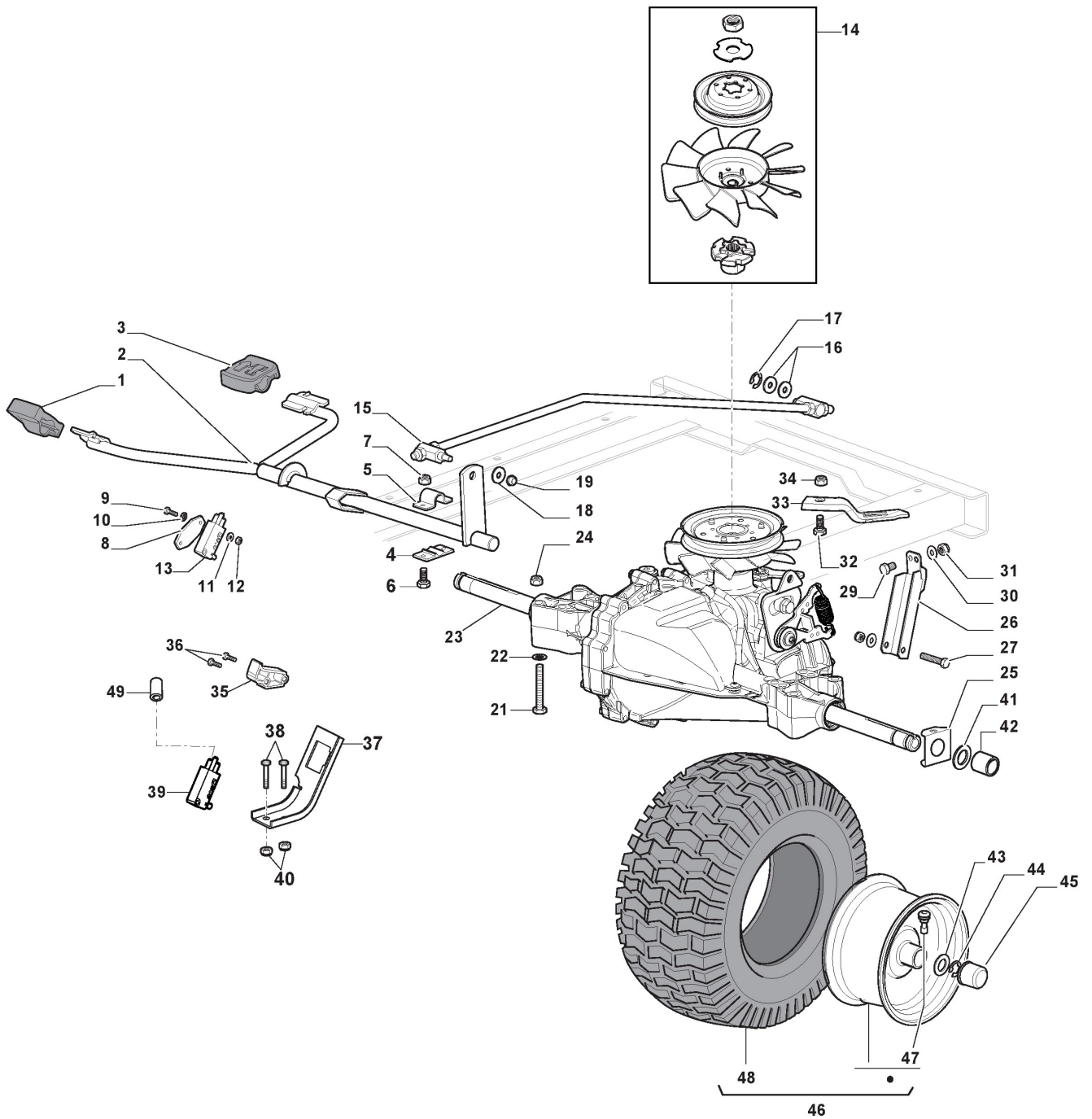
Réf. N°	Q.té :	Code article	Description	Articles	De	Jusqu'à
52	2	125601592/0	Poulie			To S/N
52	2	125601608/0	Poulie		From S/N	20AA3RON
53	1	125430269/1	Ressort			003891



## Transmission

Réf. N°	Q.té :	Code article	Description	Articles	De	Jusqu'à
1	1	325110274/0	Couvre Etrier Avant			
2	1	382000574/2	Getriebepedal			
3	1	325110331/0	Couvre Etrier Arriere			
4	2	325785350/0	Support			
5	2	325547231/0	Plaquette			To S/N 20JA3RON 000566
5	2	325547231/1	Plaquette		From S/N 20JA3RON	
6	4	112791213/1	Vis			
7	4	112154510/0	Ecrou			
8	1	327546019/0	Plaquette			
9	2	112735602/0	Vis			
10	2	112540020/0	Rondelle			
11	2	112581100/0	Grower			
12	2	112290791/0	Ecrou			
13	1	119410609/1LC	Microinterrupteur			
14	1	1139-2201-01	Kit, Ventilateur Poulie			
15	1	382000573/1	Tige			
16	2	325670011/0	Rondelle Antifriccion			
17	1	112000940/0	Anneau Benzing			
18	1	112523040/0	Rondelle			
19	1	112154510/0	Ecrou			
21	4	112691600/0	Vis			
22	4	112521350/0	Rondelle			
23	1	118400921/0	Axe Arriere (Hydro-Gear T2-Adbf-2X3C-1Rx1)			
24	4	112155000/0	Ecrou			
25	2	325670026/0	Rondelle			
26	1	325785349/1	Support			
27	1	112691700/0	Vis			
29	1	112792611/0	Vis			
30	2	112523060/0	Rondelle			
31	2	112155000/0	Ecrou			
32	1	112791213/1	Vis			
33	1	325318251/0	Levier			
34	1	112154510/0	Ecrou			
35	1	325060034/1	Came			
36	2	112735403/0	Vis			
37	1	325774573/0	Etrier			
38	2	112791400/0	Vis			
39	1	119410614/0	Microinterrupteur			To
39	1	119410623/0	Microinterrupteur		From	
40	2	112154510/0	Ecrou		01-Septem ber-2019	
41	2	125670005/2	Rondelle			
42	2	125160058/0	Entretoise			To
42	2	125160058/1	Entretoise		From	
43	6	125670005/2	Rondelle		01-January- 2021	
44	2	112001010/0	Anneau Benzing			
45	2	322110233/0	Couvre Moyeu	Standard Black		
46	2	382680042/0	Ens. Roue			To S/N 20EA3RON 001133
46	2	382680092/0	Ens. Roue 18"		From S/N	

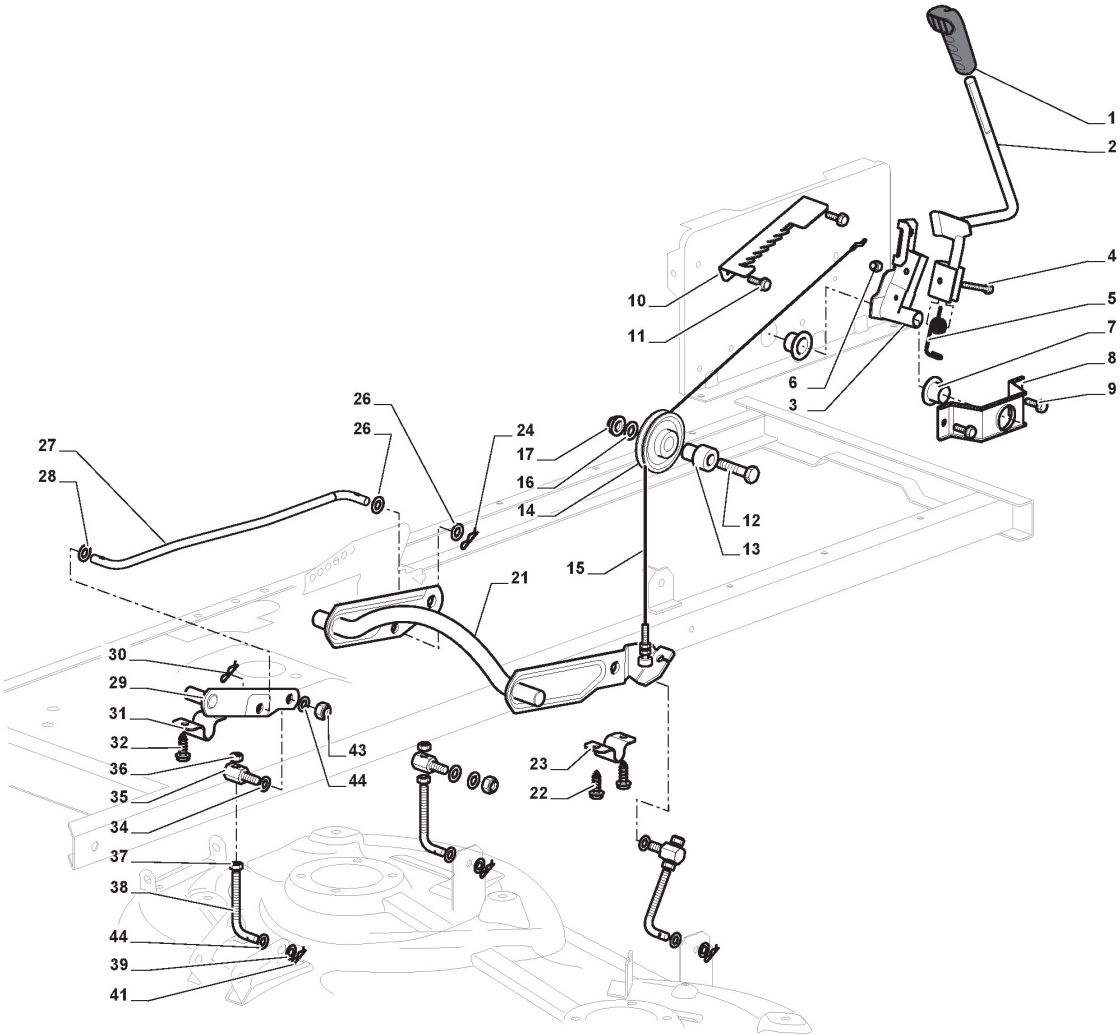






# Transmission

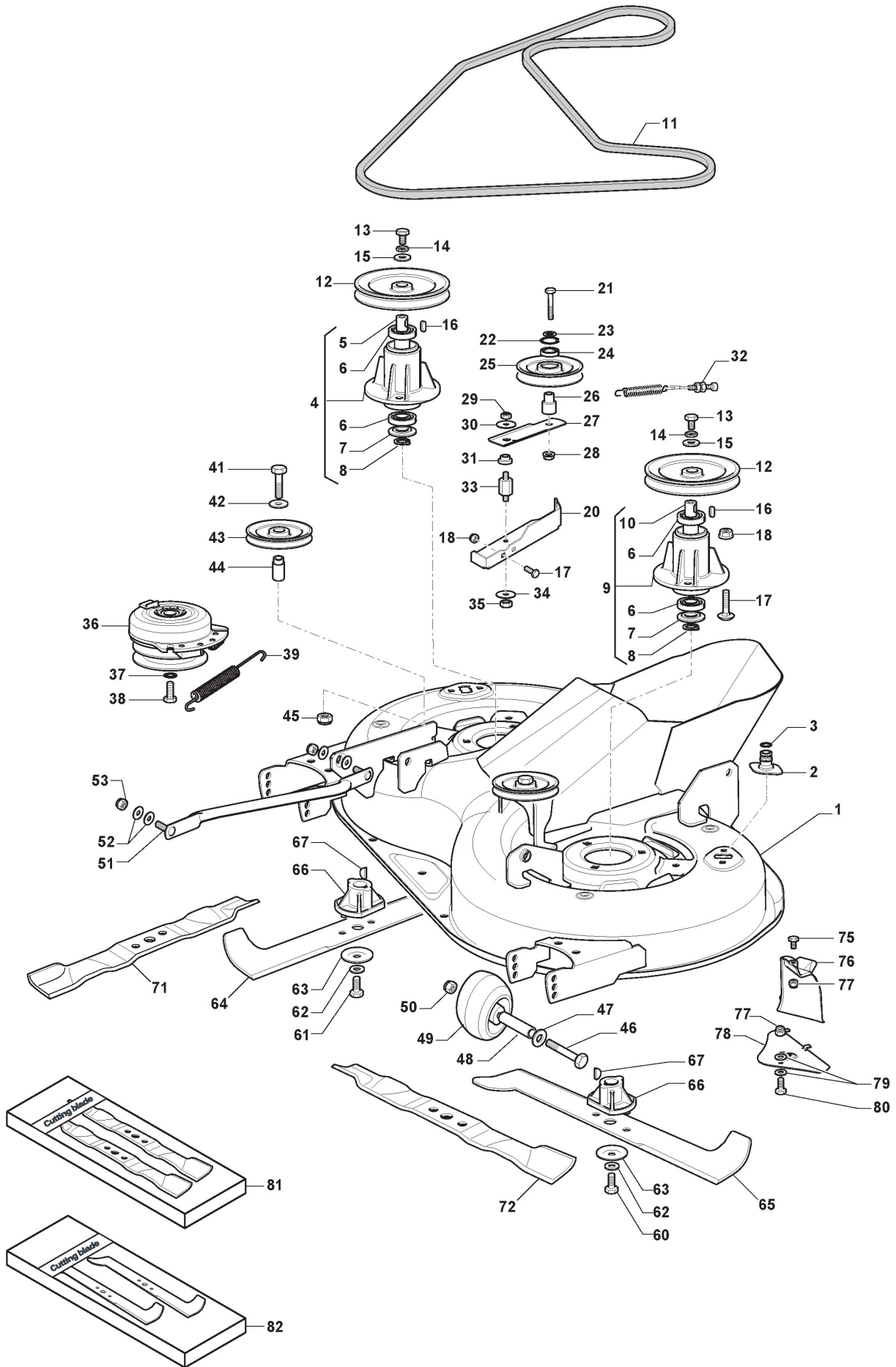
Réf. N°	Q.té :	Code article	Description	Articles	De	Jusqu'à
47	2	125950000/0	Vanne			
48	2	125590015/0	Pneu 18x8.50-8 P332 WANDA			To S/N 00512301
48	2	125590023/0	Pneu 18x8.50-8 PR4 P512 WANDA		From S/N 20EA3RON	
49	2	118203851/0	Capot		001134	



# Soulevement Plateau De Coupe

Réf. N°	Q.té :	Code article	Description	Articles	De	Jusqu'à
1	1	325394533/0	Poignée			
2	1	382318255/0	Levier			
3	1	382318231/0	Axe			To S/N 20JA3RON
3	1	382318231/1	Ens. Axe de levage de plaque		From S/N 20JA3RON	003036
4	1	112674700/0	Vis			
5	1	125430261/0	Ressort			
6	1	112154510/0	Ecrou			
7	2	325038006/0	Douille			
8	1	325785297/0	Support			
9	2	125943009/0	Vis			
10	1	325735515/0	Secteur Direction			
11	2	125943009/0	Vis			
12	1	112793701/0	Vis			
13	1	125040636/1	Douille			
14	1	125601579/0	Poulie			
15	1	382004620/0	Fil			
16	1	112523060/0	Rondelle			
17	1	112293201/0	Ecrou			
21	1	382318297/0	Axe			To S/N 19FA3RON
21	1	382318297/1	Axe		From S/N 19FA3RON	000412
22	4	112735599/0	Vis			
23	2	325547231/0	Plaquette			To S/N 20JA3RON
23	2	325547231/1	Plaquette		From S/N 20JA3RON	000567
24	1	124487997/0	Goupille			
26	2	325670010/0	Rondelle Antifriction			
27	1	125033109/0	Tige De Connexion			
28	1	325670010/0	Rondelle Antifriction			
29	1	382318293/0	Axe			To S/N 19FA3RON
29	1	382318293/1	Axe		From S/N 19FA3RON	000061
30	1	124487997/0	Goupille			
31	1	325547231/0	Plaquette			To S/N 20JA3RON
31	1	325547231/1	Plaquette		From S/N 20JA3RON	000566
32	2	112735599/0	Vis			
34	3	325670008/1	Rondelle			
35	3	125510107/1	Pivot			To S/N 19KA3RON
35	3	125510170/0	Pivot		From S/N 19KA3RON	005043
36	3	112156602/0	Ecrou			
37	3	112295200/0	Ecrou			
38	1	125840012/0	Tirant			To S/N 20BA3RON
38	1	125840012/1	Tirant		From S/N 20BA3RON	001428
39	3	325670008/1	Rondelle			
41	3	124487998/0	Goupille			
43	3	112156602/0	Ecrou			
44	6	112521360/0	Rondelle			

# Plateau De Coupe avec Embrayage Electromagnétique

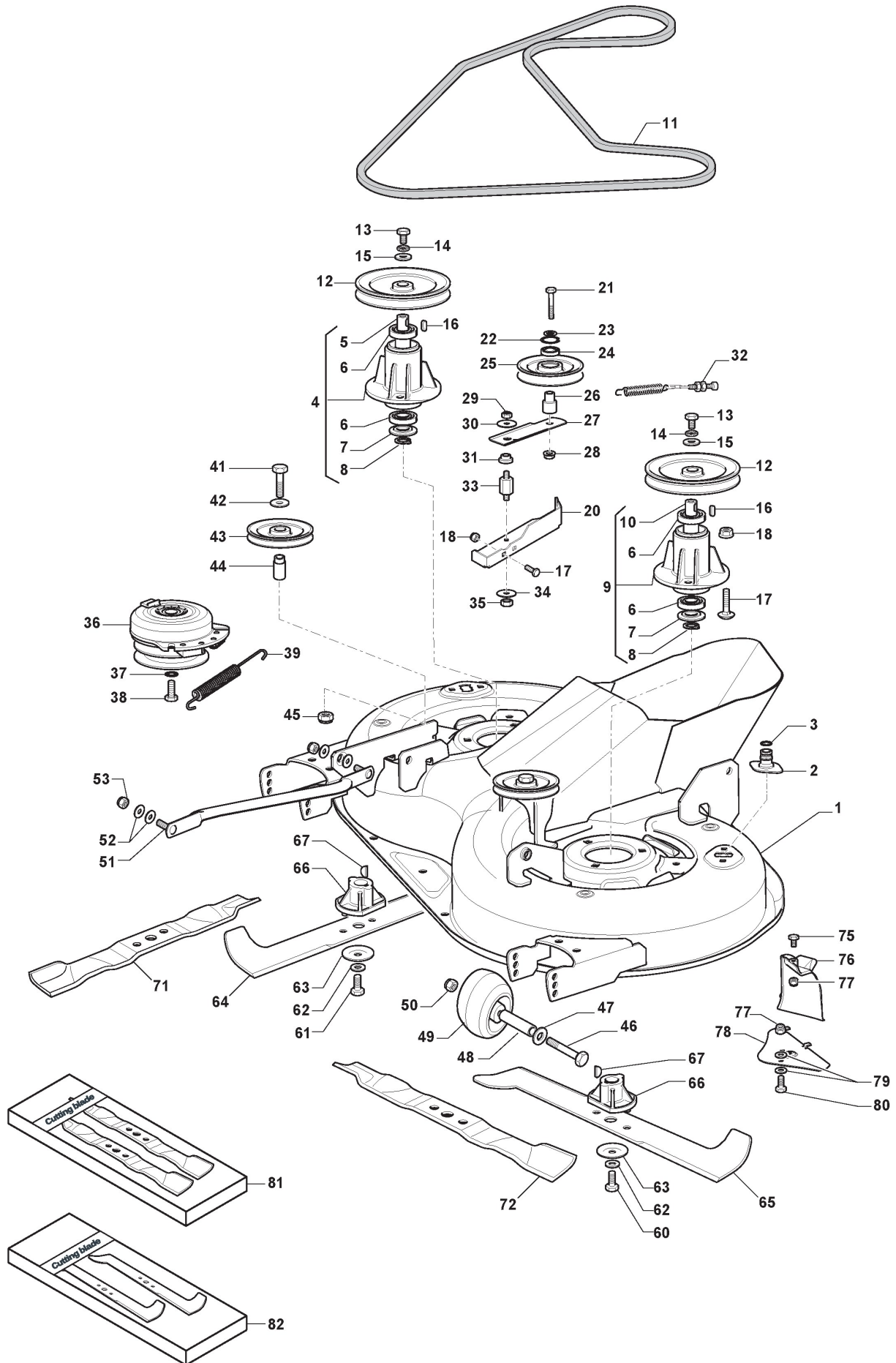


# Plateau De Coupe avec Embrayage Electromagnétique

Réf. N°	Q.té :	Code article	Description	Articles	De	Jusqu'à
1	1	382564113/0	Plateau De Coupe Noir			
2	2	325033086/0	Raccord Tuyau D'Eau			
3	2	119035000/0	Joint Or			
4	1	382207205/0	Ensemble Bride			To
4	1	382207205/1	Ensemble Bride		From	
5	1	125020805/0	Arbre		01-Septem	ber-2015
6	4	119216040/0	Roulement			To
6	4	119216047/0	Roulement		From	31-August-2018
7	2	325160501/0	Protege-Poussiere			To
7	2	325160501/1	Protege-Poussiere		From	31-Decemb-er-2018
8	2	112609260/0	Seeger			
9	1	382207204/1	Ensemble Bride		From	
9	1	382207206/0	Ensemble Bride			To
9	1	382207206/1	Ensemble Bride		From	31-August-2015
10	1	125020804/0	Arbre			
11	1	135061508/0	Courroie			
12	2	125601585/1	Poulie			
13	2	112793102/0	Vis			
14	2	112540260/0	Rondelle			
15	2	125670007/0	Rondelle			
16	2	112139480/0	Clavette			
17	6	112818690/0	Vis			
18	6	112154210/0	Ecrou			
20	1	325785391/0	Etrier			
21	1	112691400/0	Vis			
22	1	112524010/0	Rondelle			
23	1	112610800/0	Anneau Ressort			
24	1	119216041/0	Roulement			To
24	1	119216048/0	Roulement		From	
25	1	125601595/0	Poulie		01-Septem	ber-2018
26	1	125160052/0	Entretoise			
27	1	325318289/0	Levier			
28	1	112293201/0	Ecrou			
29	1	112155020/0	Ecrou			
30	1	125670022/0	Rondelle			
31	1	125040635/0	Douille			
32	1	382004618/0	Fil			
33	1	125160049/0	Entretoise			
34	1	112523080/0	Rondelle			
35	1	112156602/0	Ecrou			
36	1	118399069/0	Friction			
37	1	112543000/0	Rondelle			
38	1	112737320/0	Vis			
39	1	125430277/0	Ressort			
41	2	112691115/0	Vis			
42	2	112523060/0	Rondelle			
43	2	125601555/0	Poulie			To
43	2	325601599/0	Poulie		From	01-Septem



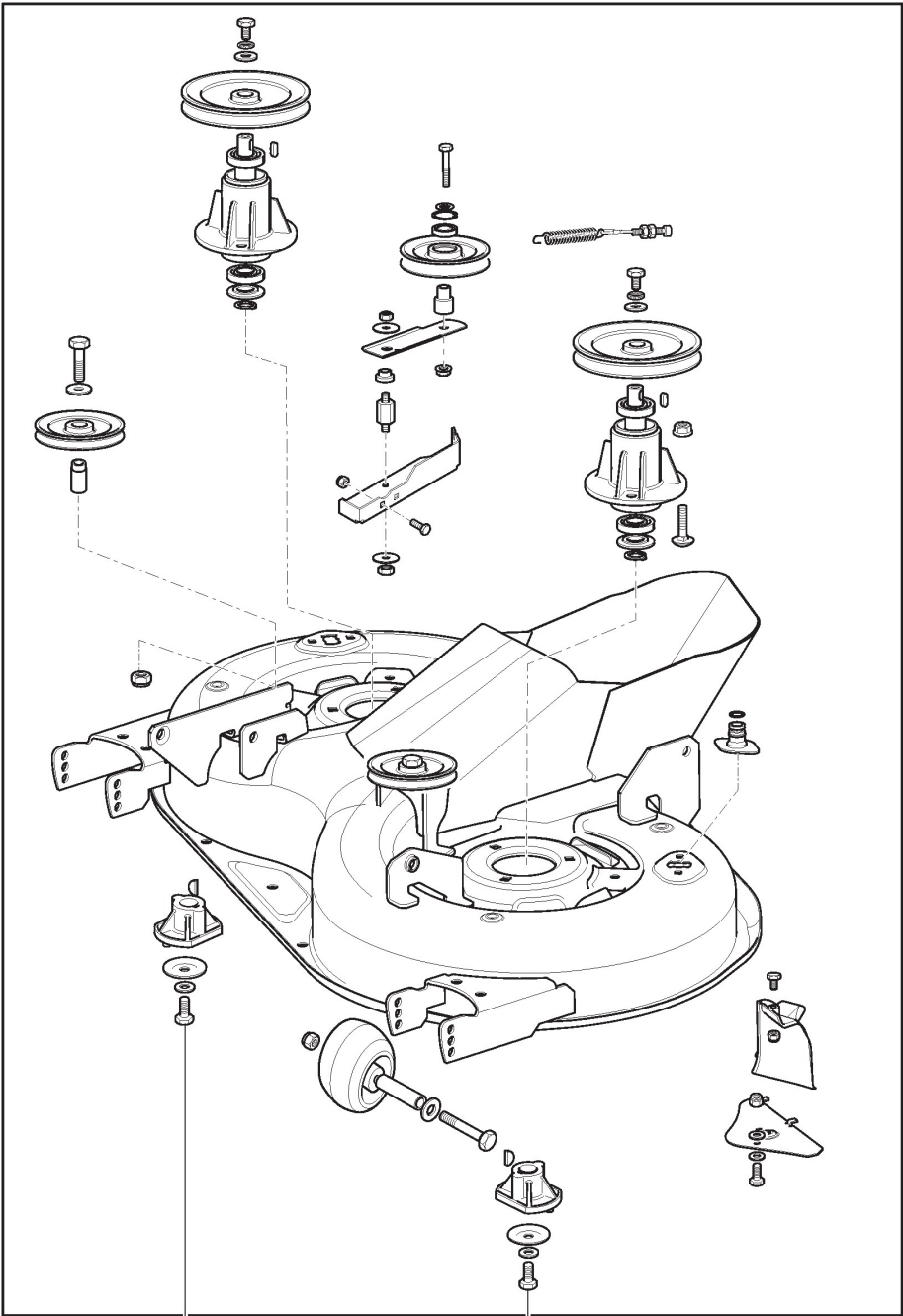
# Plateau De Coupe avec Embrayage Electromagnétique



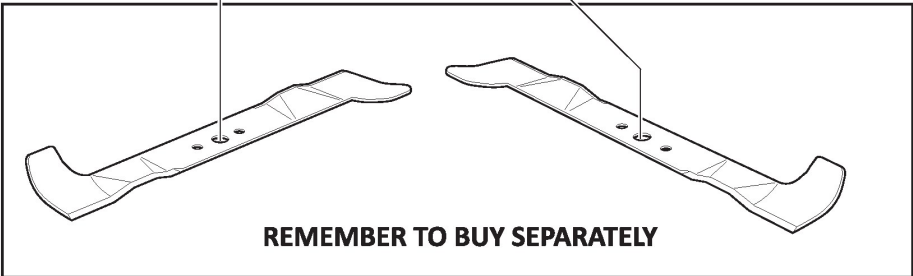
# Plateau De Coupe avec Embrayage Electromagnétique

Réf. N°	Q.té :	Code article	Description	Articles	De	Jusqu'à
44	2	125160069/0	Entretoise			To S/N
44	2	125160082/0	Entretoise		S/N	00088193
44	2	125160110/0	Entretoise		From S/N	To S/N
45	2	112155000/0	Ecrou		19FA3RON	
46	2	112692100/0	Vis		000413	
47	2	112521350/0	Rondelle			
48	2	125160072/0	Entretoise			
49	2	182700005/0	Roulettes Antiscalp Ø 90			
50	2	112293201/0	Ecrou			
51	2	382000565/0	Tige Balancier			To
51	2	382000565/1	Tige Balancier		From	
52	8	325670008/1	Rondelle		01-Septem	
53	4	112156602/0	Ecrou		ber-2016	
60	1	112735694/0	Vis			
61	1	112735695/1	Vis			
62	2	112523080/0	Rondelle			
63	2	122160400/0	Disque Elastique			
64	1	182004358/0	Lame Droit, Aillettee			
65	1	182004359/0	Lame Gauche, Aillettee			
66	2	1134-9159-01	Moyeu Lame	with STIGA Pack		
66	2	125463200/0	Moyeu Lame	without Pack		
67	2	112139100/0	Languette			
71	1	182004360/0	Lame Droit Mulching			
72	1	182004361/0	Lame Gauche Mulching			
75	3	112791213/1	Vis			
76	1	325140108/0	Deflecteur			
77	4	112154510/0	Ecrou			
78	1	325785418/0	Support			
79	4	112523040/0	Rondelle			
80	1	112790781/0	Vis			
81	1	1134-9221-01	Lames, Mulching	Stiga Packed into 182004360/0 + 182004361/0		
82	1	1134-9220-01	Lames, Aillettee	Stiga Packed into 182004358/0 + 182004359/0		





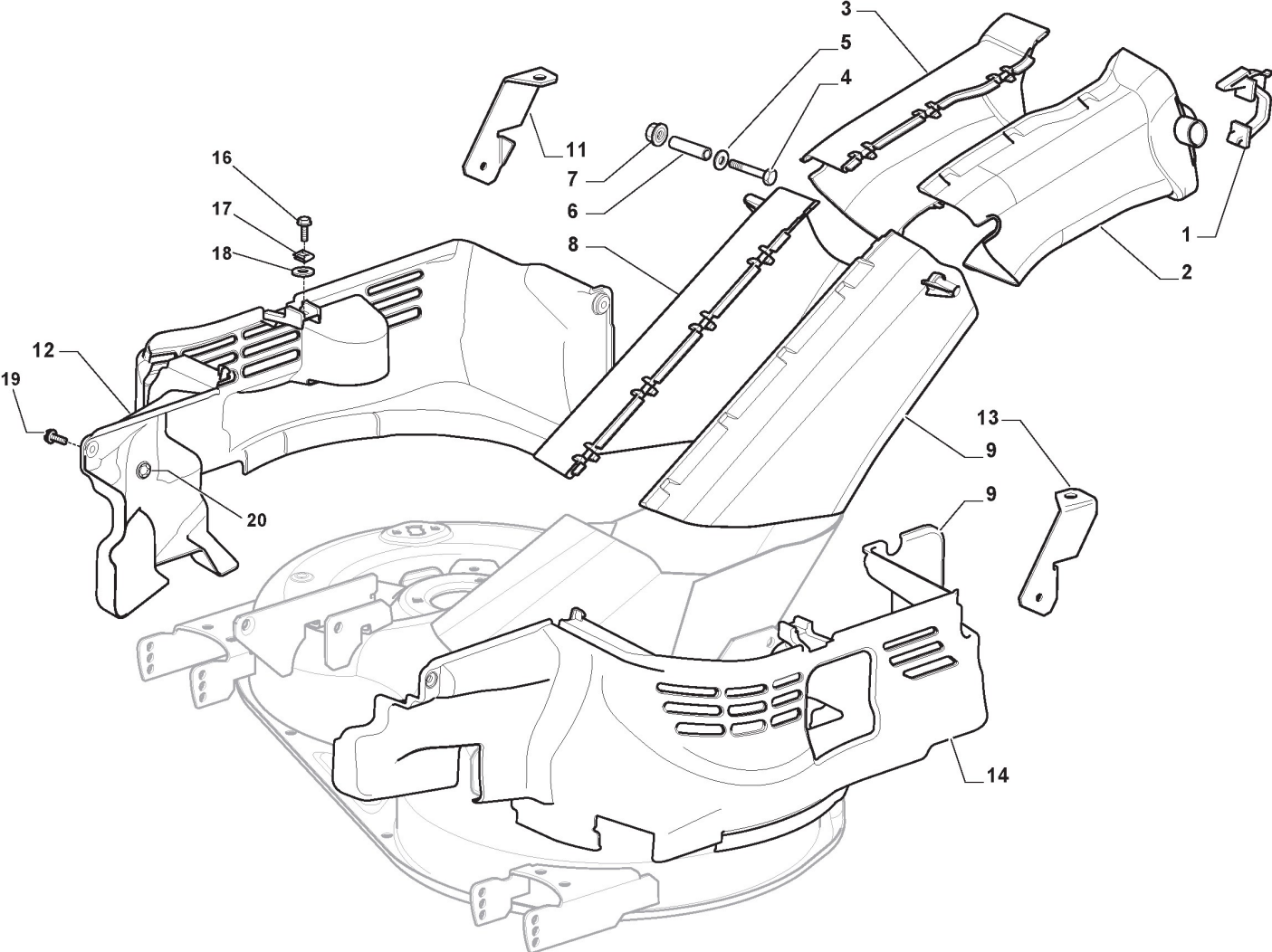
1



REMEMBER TO BUY SEPARATELY

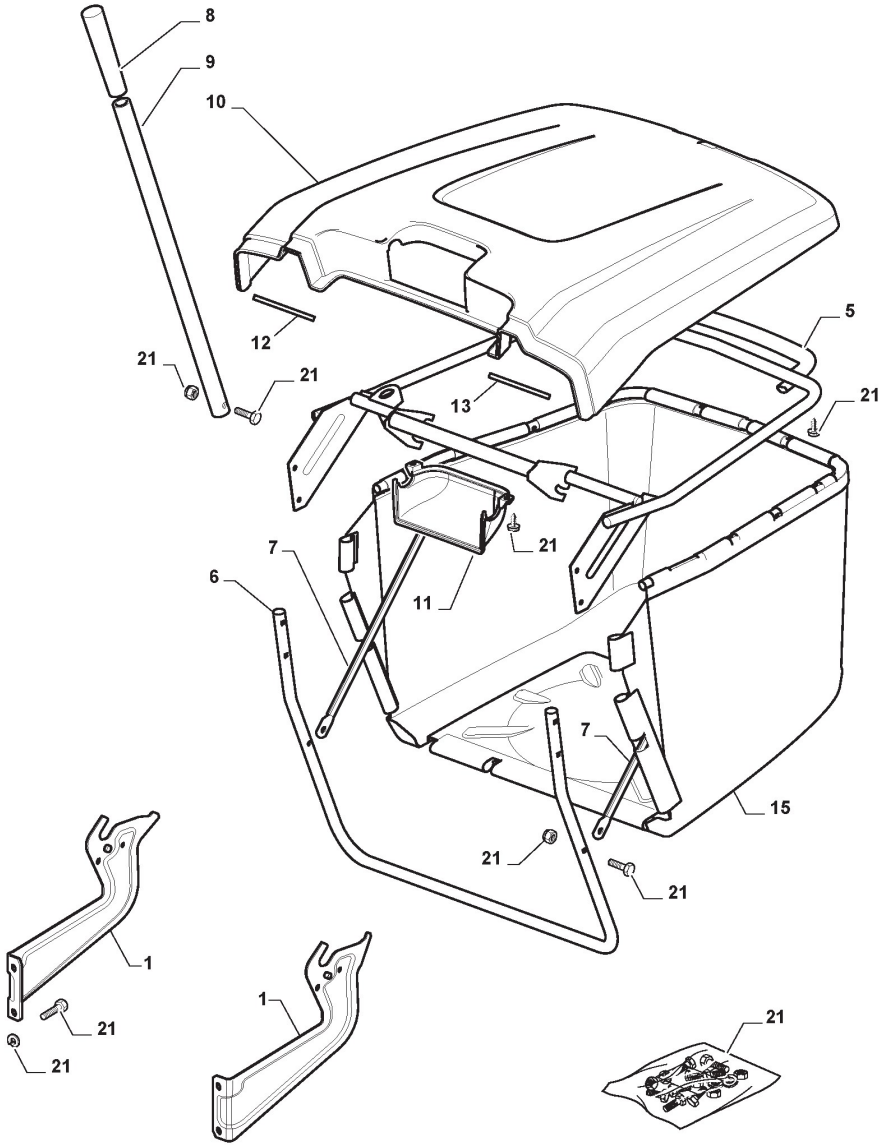
# Schneidwerkzeug Set - MP84

Réf. N°	Q.té :	Code article	Description	Articles	De	Jusqu'à
1	1	382565108/0	Ens. Plateau De Coupe Noir	Black		



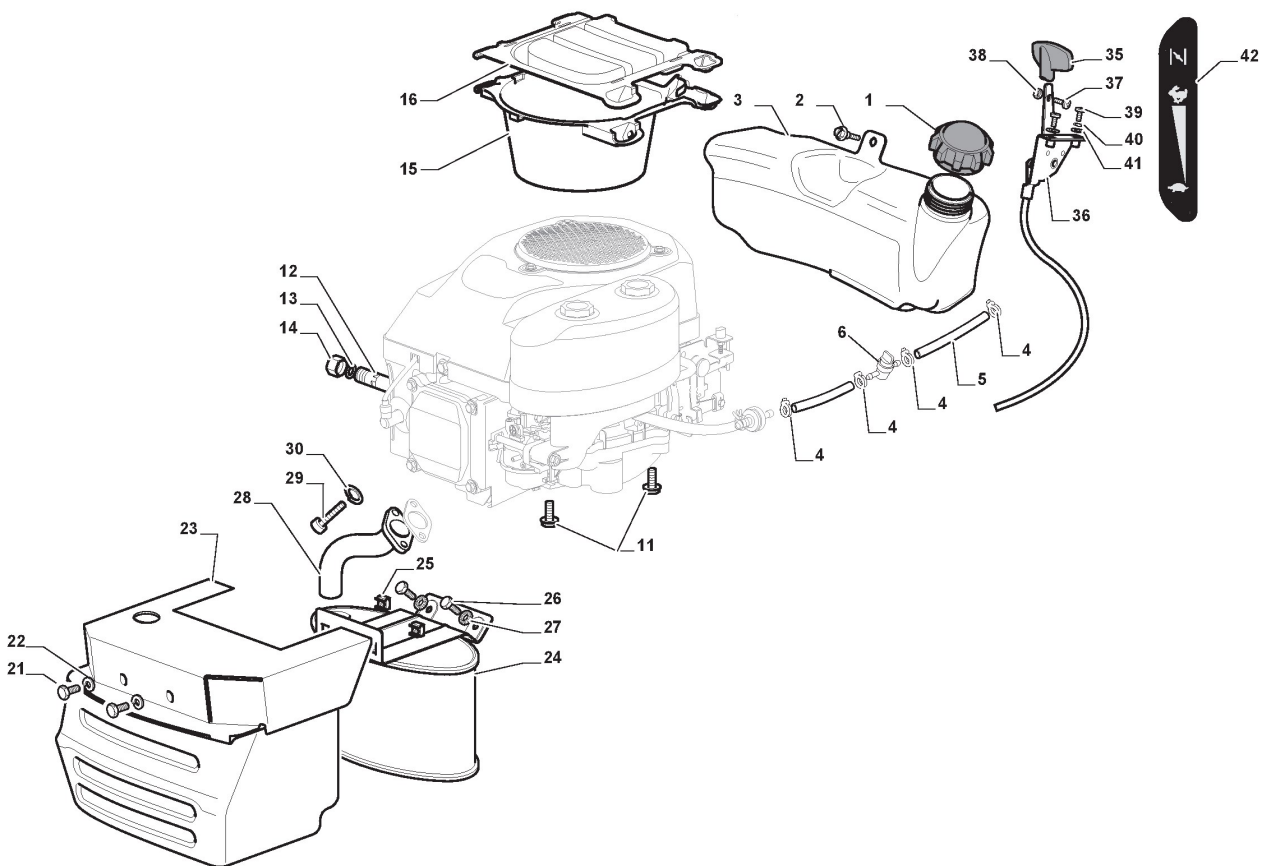
# Protections Courroie

Réf. N°	Q.té :	Code article	Description	Articles	De	Jusqu'à
1	2	325774499/0	Etrier			
2	1	325108057/0	Convoyeur			
3	1	325108056/0	Convoyeur			
4	2	112792425/0	Vis			
5	2	112521340/0	Rondelle			
6	2	125160071/0	Entretoise			To S/N 19FA3RON
6	2	125160109/0	Entretoise		From S/N 19FA3RON 000413	
7	2	112154510/0	Ecrou			
8	1	325108064/0	Convoyeur			
9	1	325108065/0	Convoyeur			
11	1	325774527/0	Etrier			
12	1	325060168/0	Carter			
13	1	325774529/0	Etrier			
14	1	325060169/0	Carter			
16	2	112789008/0	Vis			
17	2	112437503/0	Plaquette			
18	2	112523020/0	Rondelle			
19	4	125943011/0	Vis			
20	4	112604899/0	Fixateur A Couronne			



# Bac

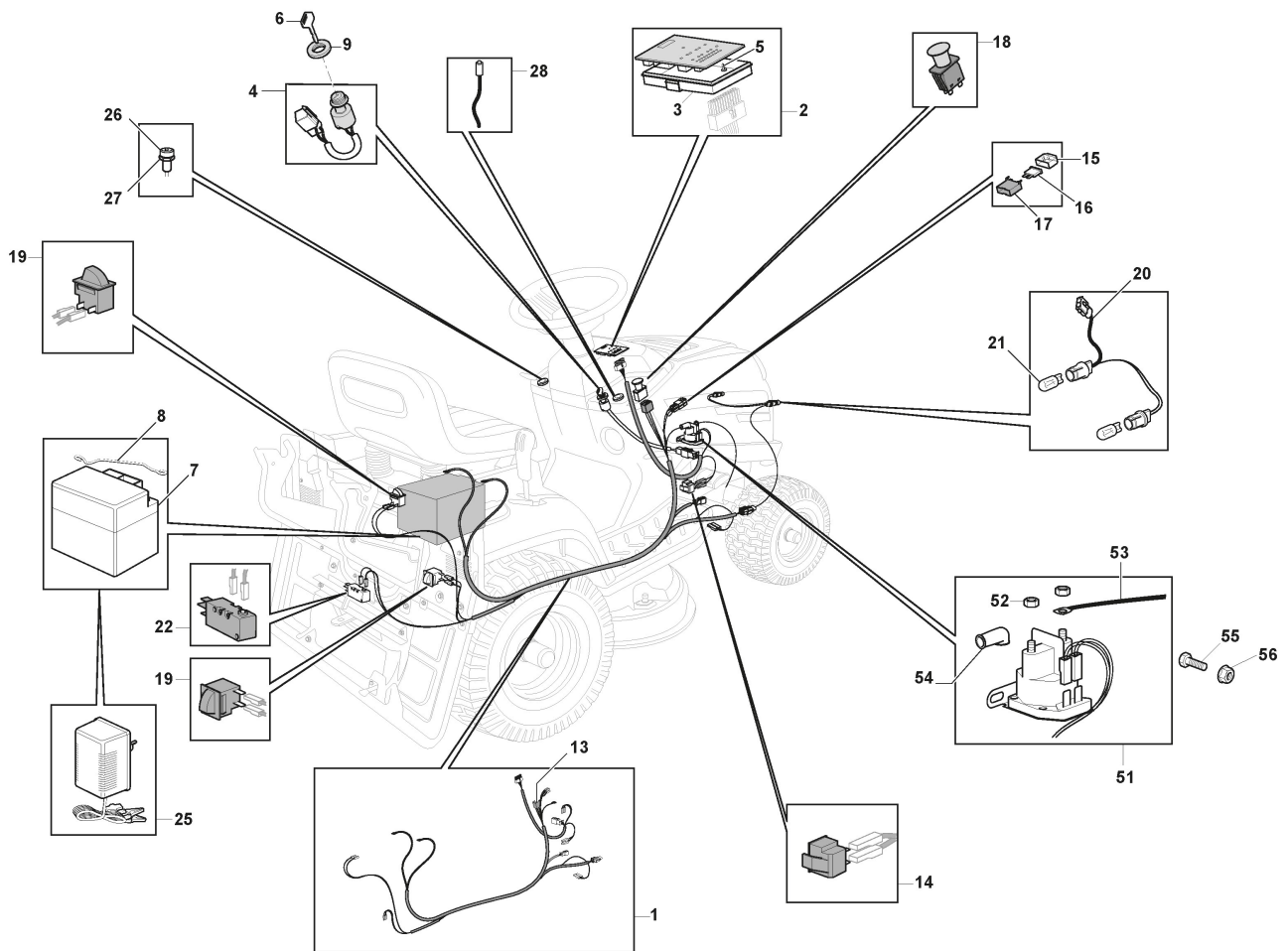
Réf. N°	Q.té :	Code article	Description	Articles	De	Jusqu'à
1	1	382785289/0	Ens. Support			
5	1	382800139/0	Chassis Superieur			
6	1	382800141/0	Chassis Avant			
7	2	325650149/0	Renforcement			
8	1	125394508/0	Poignée			
9	1	325869087/0	Tige			To S/N 20AA3RON
9	1	325869087/1	Tige		From S/N 20AA3RON 008871	
10	1	325110431/1	Couvre-Bac Rouge			
10	1	325110434/0	Couvre-Bac Blanc			
10	1	325110436/0	Couvre-Bac Noir			
10	1	325110439/1	Couvre-Bac Jaune			
10	1	325110447/0	Couvre-Bac Vert			
10	1	325110479/0	Couvre-Bac Rouge			
11	1	325207195/0	Couvre-Poignee			
12	1	125270802/0	Garniture			
13	1	125270803/0	Garniture			
15	1	182105947/0	Bac	Black without Logo		
21	1	382180123/0	Dotation Visserie			



Moteur - ST.

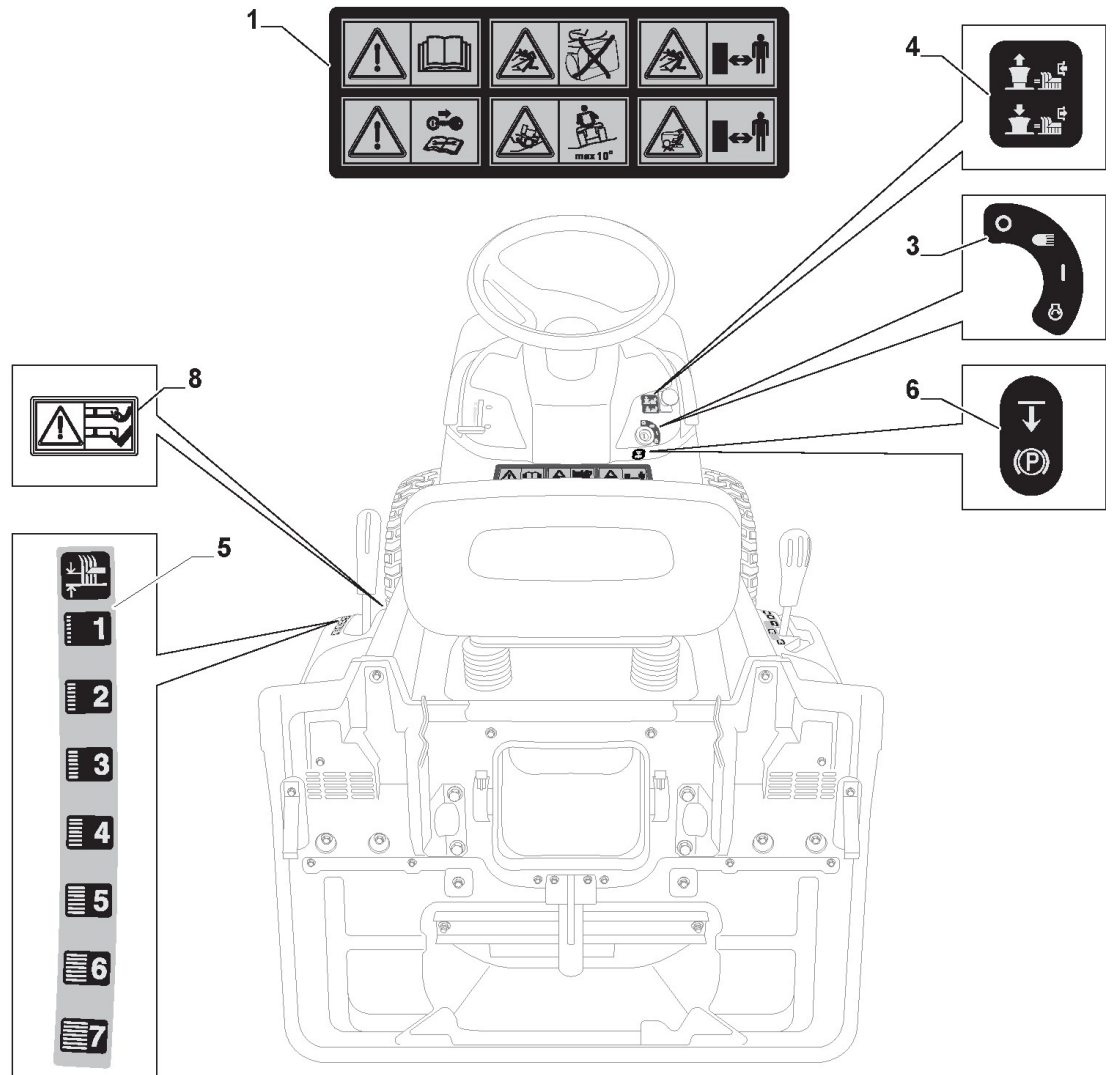
Réf. N°	Q.té :	Code article	Description	Articles	De	Jusqu'à
1	1	125795001/1	Bouchon			
2	4	125943006/0	Vis			
3	1	325735126/0	Réservoir à carburant			To
3	1	325735126/1	Reservoir		From	31-August-2017
4	4	118375051/1	Fixation De Cable			
5	1	325869057/0	Tube De Connexion			
6	1	118562996/0	Rubinet			
11	4	112735108/1	Vis			
12	1	127598060/0	Rallonge Dechargement Huile			
13	1	118401001/1	Garniture			
14	1	118737849/0	Bouchon			
15	1	325108044/0	Convoyeur			To
15	1	325108044/1	Convoyeur	if foreseen in assortment	From	
16	1	325263302/1	Capot avant noir	if foreseen in assortment	01-September-2010	
21	2	112792611/0	Vis			
22	2	112540260/0	Rondelle			
23	1	382598045/0	Protection Silencieux			To
23	1	382598045/1	Protection Silencieux		From	25-May-2019
24	1	182750010/0	Silencieux			
25	2	112360425/0	Ecrou			
26	2	112792611/0	Vis			
27	2	112540260/0	Rondelle			
28	1	118738231/1	Tuyau de raccord d'échappement			
29	2	112737450/0	Vis			
30	2	112540260/0	Rondelle			
35	1	325394531/0	Poignée			
36	1	182000215/0	Accelérateur			
37	1	112726389/0	Vis			
38	1	112290800/0	Ecrou			
39	2	112726389/0	Vis			
40	2	112540020/0	Rondelle			
41	2	112521310/0	Rondelle			
42	1	114363697/0	Etiquette			





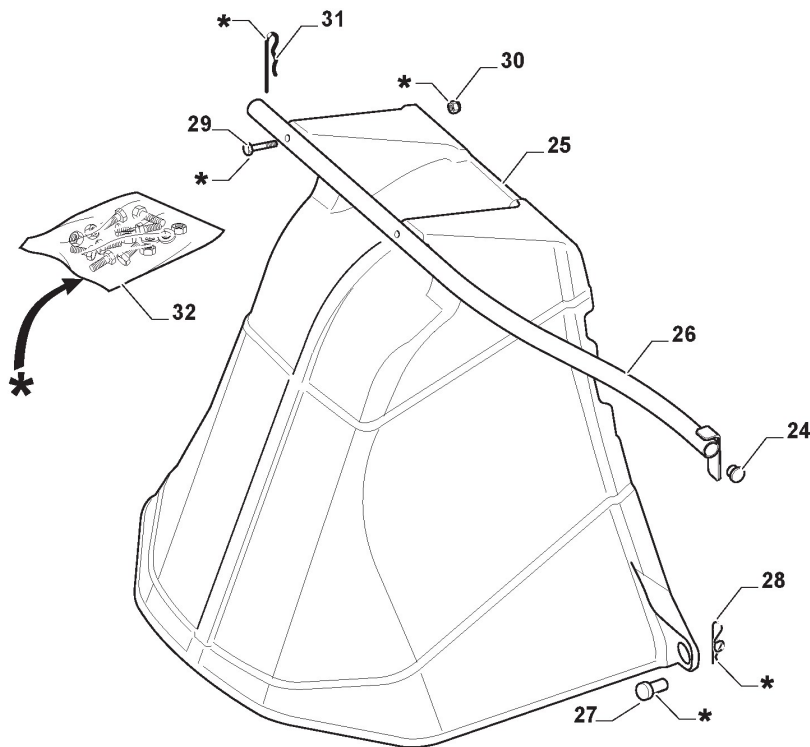
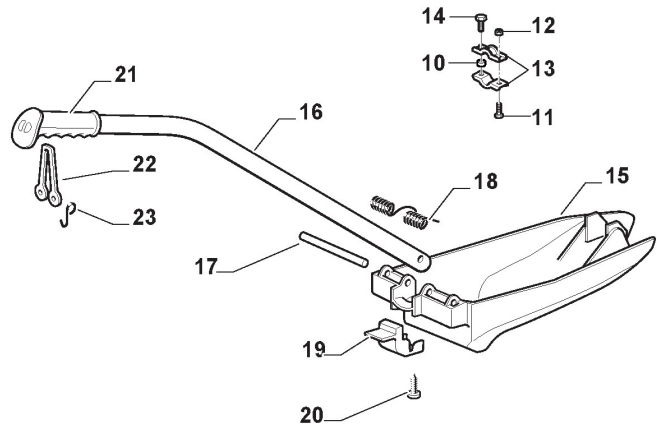
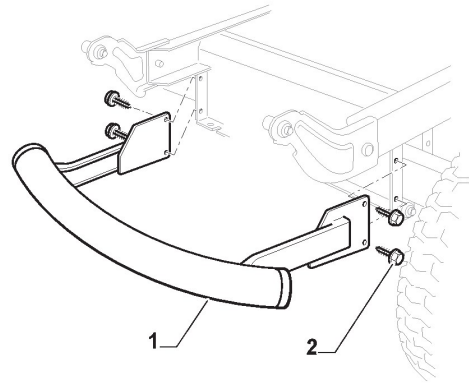
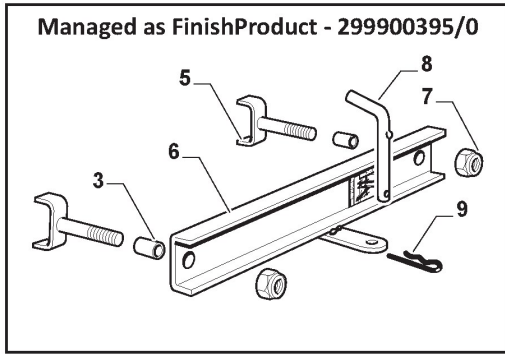
## Parties Electriques

Réf. N°	Q.té :	Code article	Description	Articles	De	Jusqu'à
1	1	182040199/1	Ens. Cablages			
2	1	382722444/1	Carte Electronique	LS marked		
3	1	325600090/1	Protection De Carte			
4	1	118450075/1	Interrupteur Demarrage			
5	3	112727810/0	Vis			
6	1	118210023/0	Clef A Demarrage			
7	1	118120007/0	Batterie			
8	1	125430265/1	Ressort			
9	1	118400863/0	Manchon Expansible			
13	1	133567000/0	Relais	Only for Honda Engines		
14	1	119410623/0	Microinterrupteur			
15	2	133215000/0	Couvercle			
16	2	133340036/0	Fusible 25 A	25A		
16	2	133340040/0	Fusible 10 A	10A		
17	2	133500007/0	Tableau De Fusible			
18	1	118450073/0	Interrupteur Embrajage	Yellow		
18	1	118450074/0	Interrupteur Embrajage	Red		
19	2	119410622/1	Microinterrupteur			
20	1	182040186/0	Cables	for Lamp Version		
21	2	118459100/0	Ampoule De Phares	NOT for models with LED Light		
22	1	119410605/1	Microinterrupteur			
25	1	182180090/0	Chargeur De Batteries 12V 1A - CE Plugg	CE Plug		
26	1	325605003/0	Bouton D'Entrée Inverse			
27	2	325256250/0	Embout			
28	1	182040174/0	Cablages	LED cable for alarm on dashboard		
51	1	118736112/0	Solenoid			
52	2	112361005/0	Ecrou			
53	1	125065002/0	Cable			
54	1	118564864/1	Capuchon			
55	1	112790781/0	Vis			
56	2	112154510/0	Ecrou			



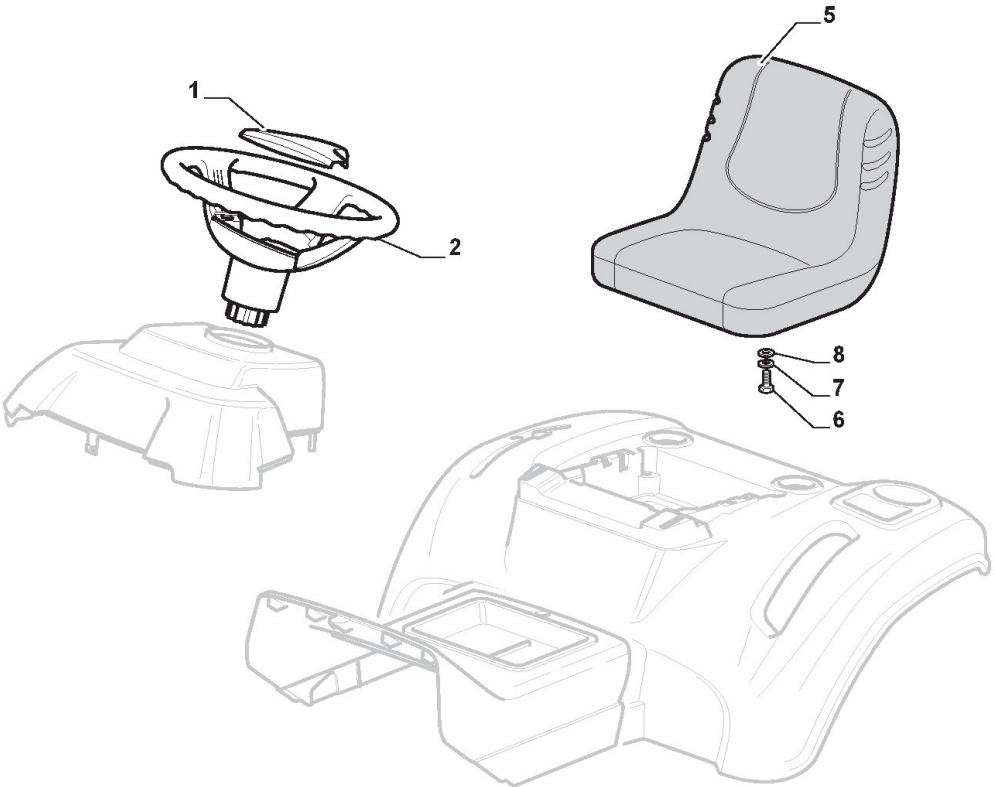
# Etiquettes

Réf. N°	Q.té :	Code article	Description	Articles	De	Jusqu'à
1	1	114361553/1	Étiquette D'Avertissement			
3	1	114363699/0	Etiquette			
4	1	114361438/0	Etiquette			
5	1	114363701/0	Etiquette			To
5	1	114366142/0	Etikett		From	
6	1	114363700/0	Etiquette		01-Septem	
8	1	114356699/1	Etiquette De Plaque De Danger		ber-2014	



# Accessoires Sur Demande

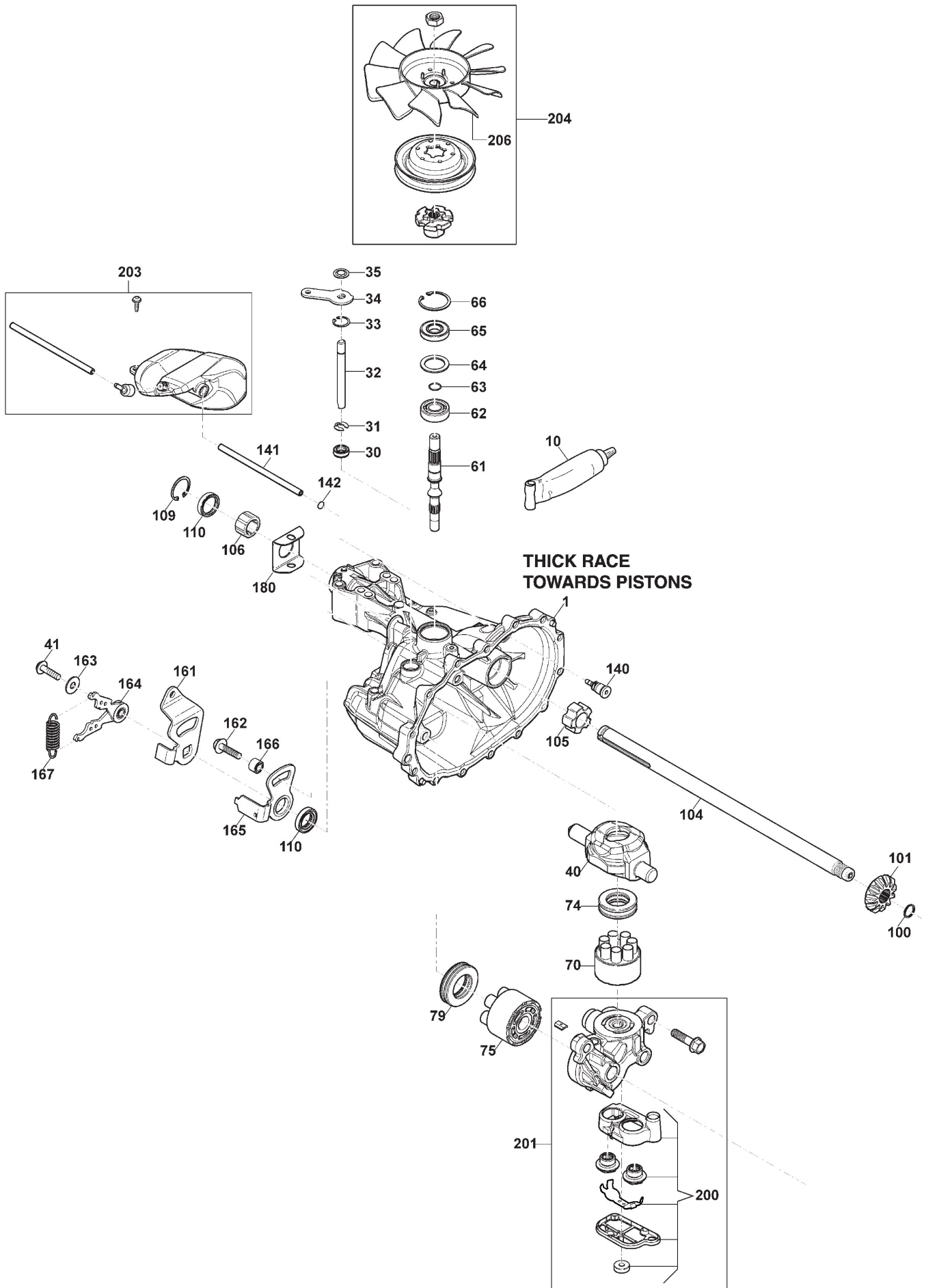
Réf. N°	Q.té :	Code article	Description	Articles	De	Jusqu'à
1	1	382869038/0	Protection Silencieux			
2	4	112735599/0	Vis			
3	2	125160074/0	Entretoise			To S/N 19JA3RON 001409
3	2	125160108/0	Entretoise		From S/N 19JA3RON	
5	2	382650211/0	Renforcement			
6	1	382033119/0	Barre De Trainage	Available on 299900395/0		
7	2	112155000/0	Ecrou			
8	1	125510021/1	Pivot			
9	1	124487999/0	Goupille			
10	1	122170600/0	Entretoise			
11	1	112792099/0	Vis			
12	3	112292102/0	Ecrou			
13	2	327546015/2	Plaquette			
14	1	112791400/0	Vis			
15	1	325140104/0	Deflecteur			To 31-August- 2013
15	1	325140104/1	Deflecteur		From 01-Septem- 2017	
16	1	325394021/0	Guidon			
17	1	125510077/0	Pivot			
18	1	125430245/0	Ressort			
19	1	325547320/0	Plaque			
20	1	112735403/0	Vis			
21	1	325280000/1	Branche			
22	1	125840011/1	Tirant			
23	2	125253004/0	Crochet Fixage Kit Mulching			
24	2	118566112/0	Bouchon Tube Guidon			
25	1	325600093/0	Protection Sortie			To 01-Septem- 2017
25	1	325600093/1	Protection Sortie		From 01-Septem- ber-2017	
26	1	382869044/0	Support			
27	2	125510022/1	Pivot			
28	2	124487998/0	Goupille			
29	2	112689515/0	Vis			
30	2	112154510/0	Ecrou			
31	1	124487999/0	Goupille			
32	1	382180028/0	Dotation Visserie			



# Siege & Volant

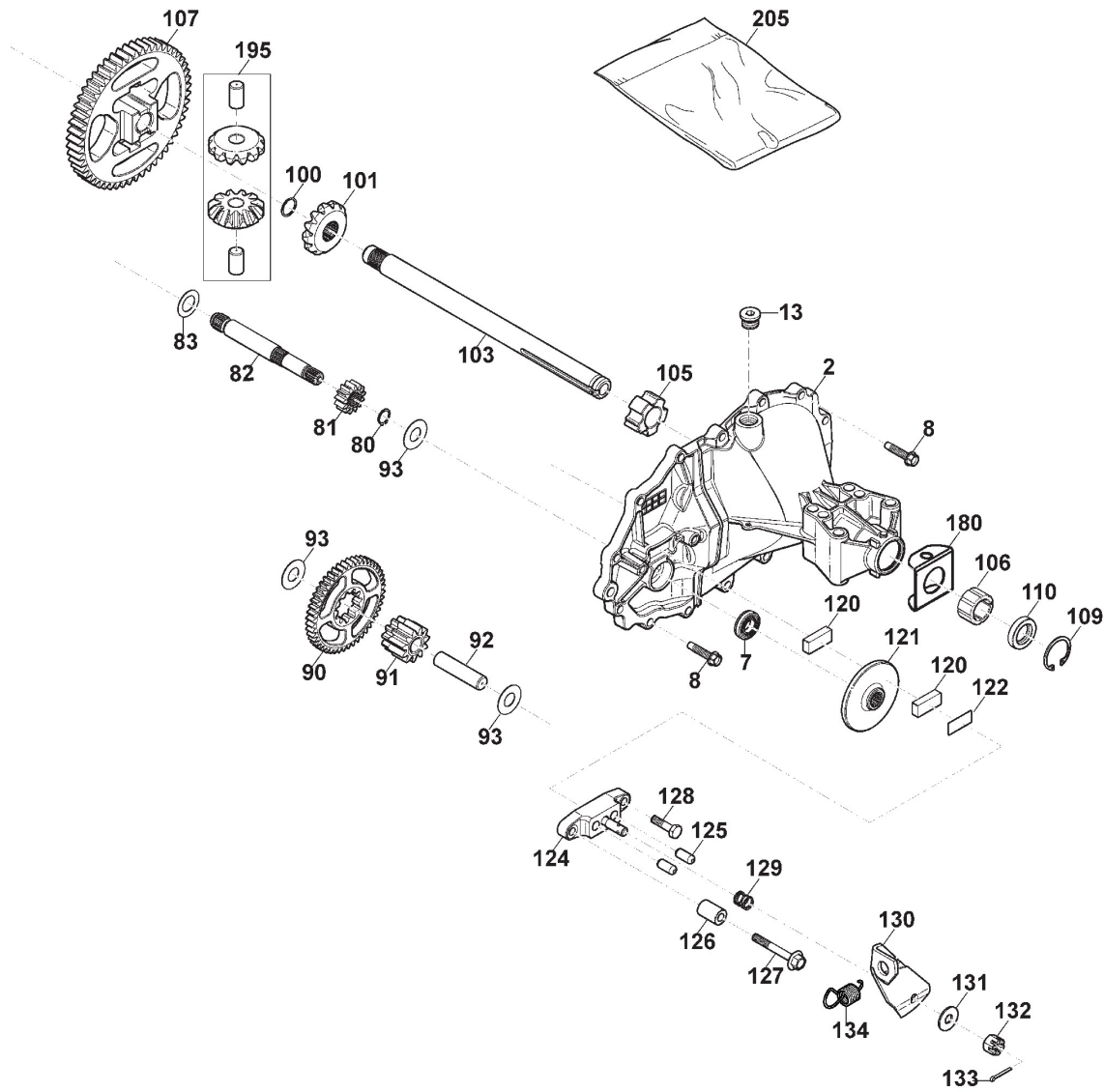
Réf. N°	Q.té :	Code article	Description	Articles	De	Jusqu'à
1	1	325580503/0	Plaque Volant			
2	1	325961219/0	Volant			
5	1	125722463/0	Siege			To
5	1	125722483/0	Siege		From	31-August-2017
6	4	112792611/0	Vis			
7	4	112540260/0	Rondelle			
8	4	112523060/0	Rondelle			





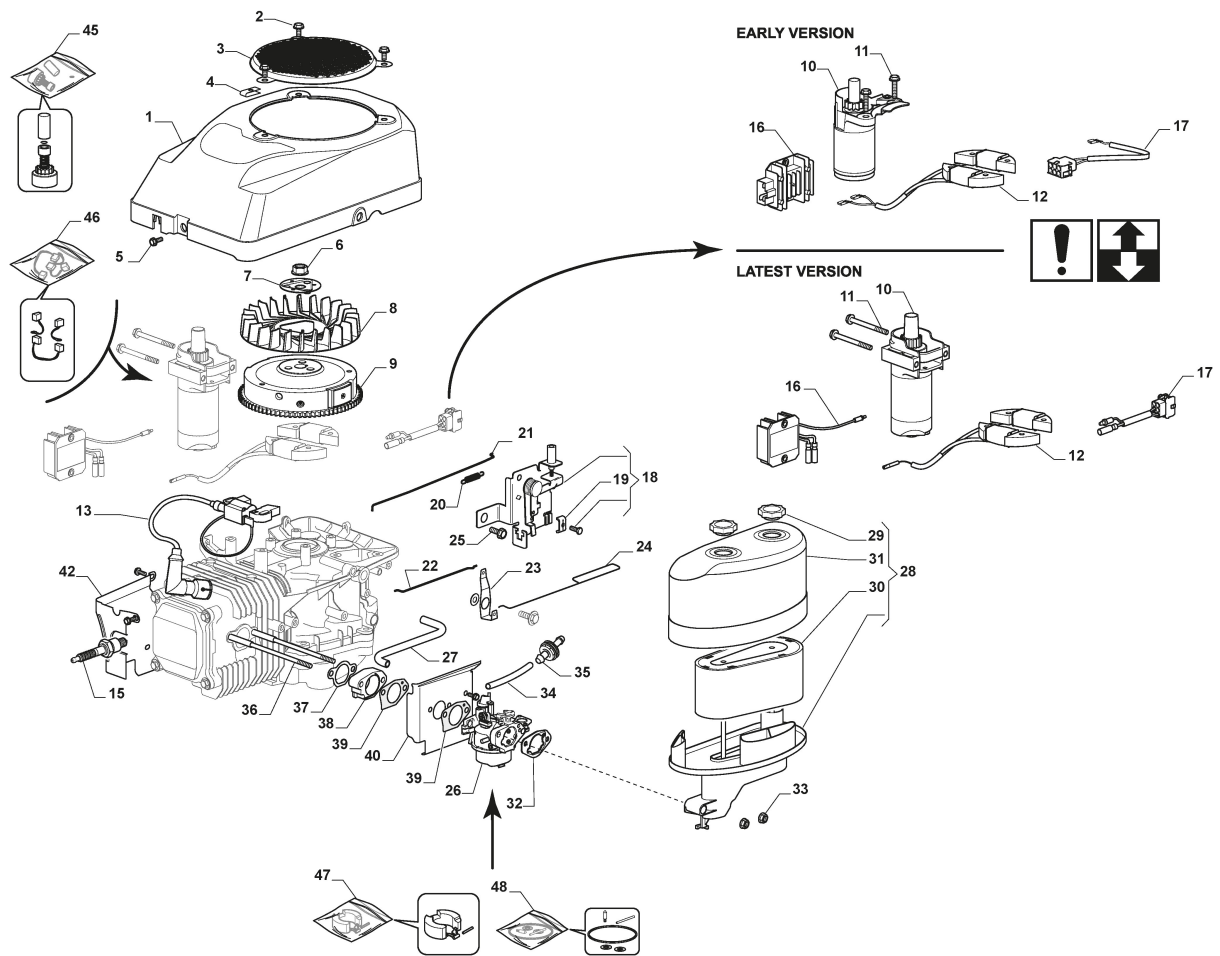
Groupe Transmission, Hydro-Gear T2-ADBF-2X3C-1RX1

Réf. N°	Q.té :	Code article	Description	Articles	De	Jusqu'à
1	1	118870120/0	Carter Principal			
10	1	1139-2022-01	Sealant			
30	1	118870079/0	Garniture			
31	1	118870081/0	Anneau Ressort			
32	1	1139-2203-01	Tige			
33	1	118870080/0	Anneau Ressort			
34	1	118870091/0	Levier			
35	1	118870082/0	Anneau Ressort			
40	1	118870090/0	Plateau Oscillant			
41	1	118870083/0	Vis			
61	1	118870092/0	Arbre			
62	1	1139-2001-01	Roulement À Billes			
63	1	1139-2003-01	Wire Retaining Ring			
64	1	1139-2004-01	Entretoise			
65	1	1139-2000-01	Lip Seal			
66	1	1139-2002-01	Anneau Ressort			
70	1	118870125/0	Ens. de bloc de pompe			
74	1	118870093/0	Roulement			
75	1	1139-2063-01	Cylinder Block			
79	1	1139-2021-01	Thrust Bearing			
100	2	118870072/0	Anneau Ressort			
101	2	118870063/0	Engrenage			
104	1	118870113/0	Arbre			
105	2	118870086/0	Douille			
106	2	118870085/0	Douille			
109	2	118870084/0	Anneau Ressort			
110	3	1139-2204-01	Arbre			
140	1	1139-2038-01	Fitting			
141	1	118870102/0	Tube			
142	1	1139-2075-01	O-Ring			
161	1	118870103/0	Levier			
162	1	1139-2026-01	Boulon			
163	1	1139-2011-01	Rondelle			
164	1	118870107/0	Ens. Levier			
165	1	118870108/0	Levier			
166	1	118870104/0	Douille			
167	1	118870089/0	Ressort			
180	2	118870112/0	Plaquette			
200	1	118870123/0	Kit-Filtre			
201	1	118870127/0	Kit-Section centre			
203	1	118870122/0	Kit-Vase d'expansion			
204	1	1139-2201-01	Kit, Ventilateur Poulie			
206	1	118870129/0	Ventilateur			



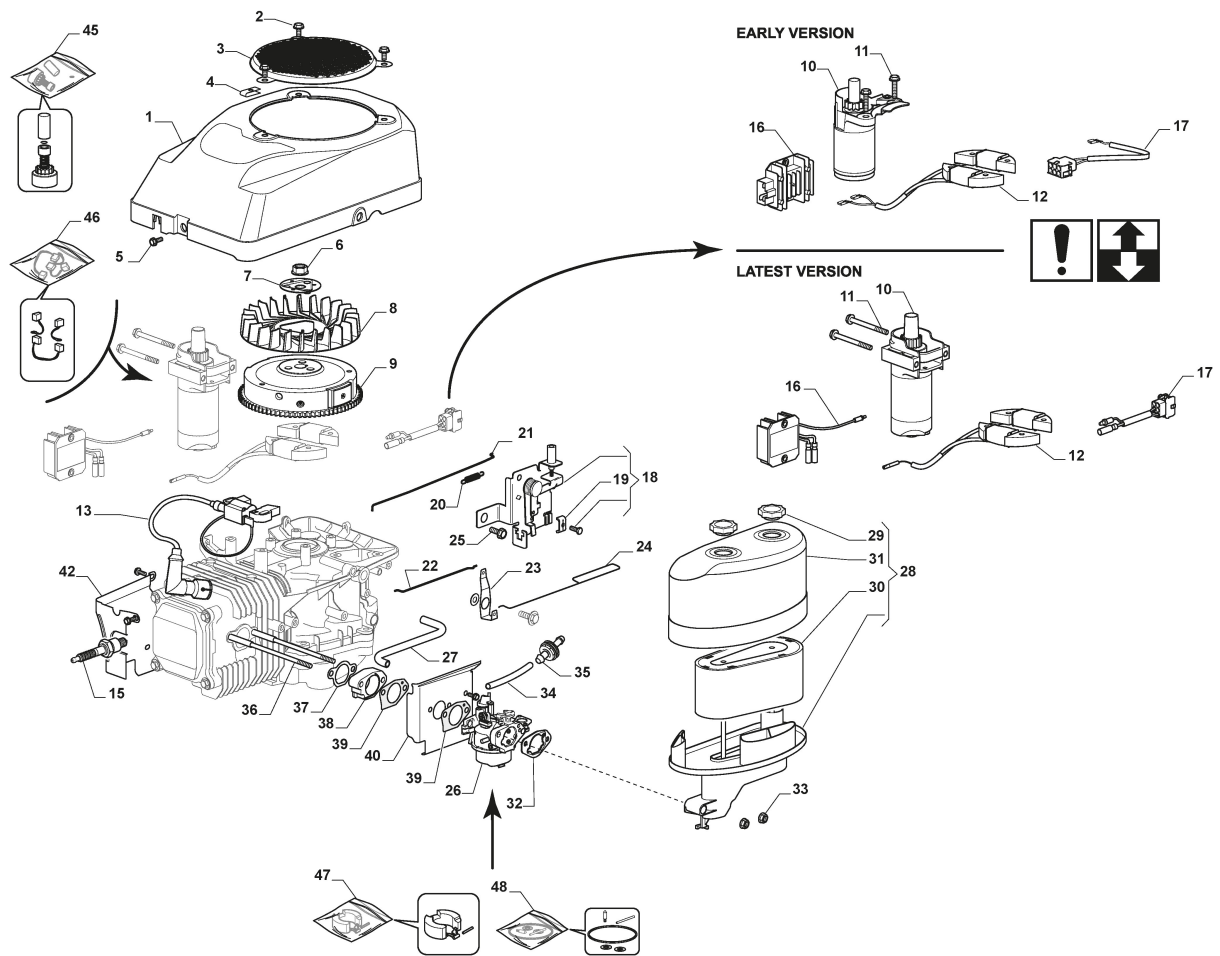
Groupe Transmission, Hydro-Gear T2-ADBF-2X3C-1RX1

Réf. N°	Q.té :	Code article	Description	Articles	De	Jusqu'à
2	1	118870121/0	Carter Latérale			
7	1	118870111/0	Garniture			
8	14	1139-2042-01	Vis			
13	1	1139-2010-01	Plug			
80	1	118870070/0	Anneau Ressort			
81	1	118870094/0	Engrenage			
82	1	118870095/0	Arbre			
83	1	118870096/0	Rondelle			
90	1	118870097/0	Engrenage			
91	1	118870098/0	Engrenage			
92	1	118870099/0	Pivot			
93	3	1139-2016-01	Rondelle			
103	1	118870114/0	Arbre			
107	1	118870100/0	Engrenage			
120	2	118870066/0	Tapis de frein			
121	1	118870101/0	Frein			
122	1	118870067/0	Support, Tapis de frein			
124	1	118870119/0	Etrier de Frein			
125	2	118870069/0	Pivot			
126	1	118870062/0	Entretoise			
127	1	118870077/0	Vis			
128	1	118870071/0	Boulon			
129	1	118870076/0	Ressort			
130	1	118870088/0	Levier De Frein			
131	1	1139-2011-01	Rondelle			
132	1	118870068/0	Ecrou			
133	1	118870065/0	Pivot			
134	1	118870078/0	Ressort			
195	1	118870126/0	Kit-Engrenage + Pivot			
205	1	118870124/0	Kit-Garniture			



# Moteur - Carburateur, Ens. Filtre A Air

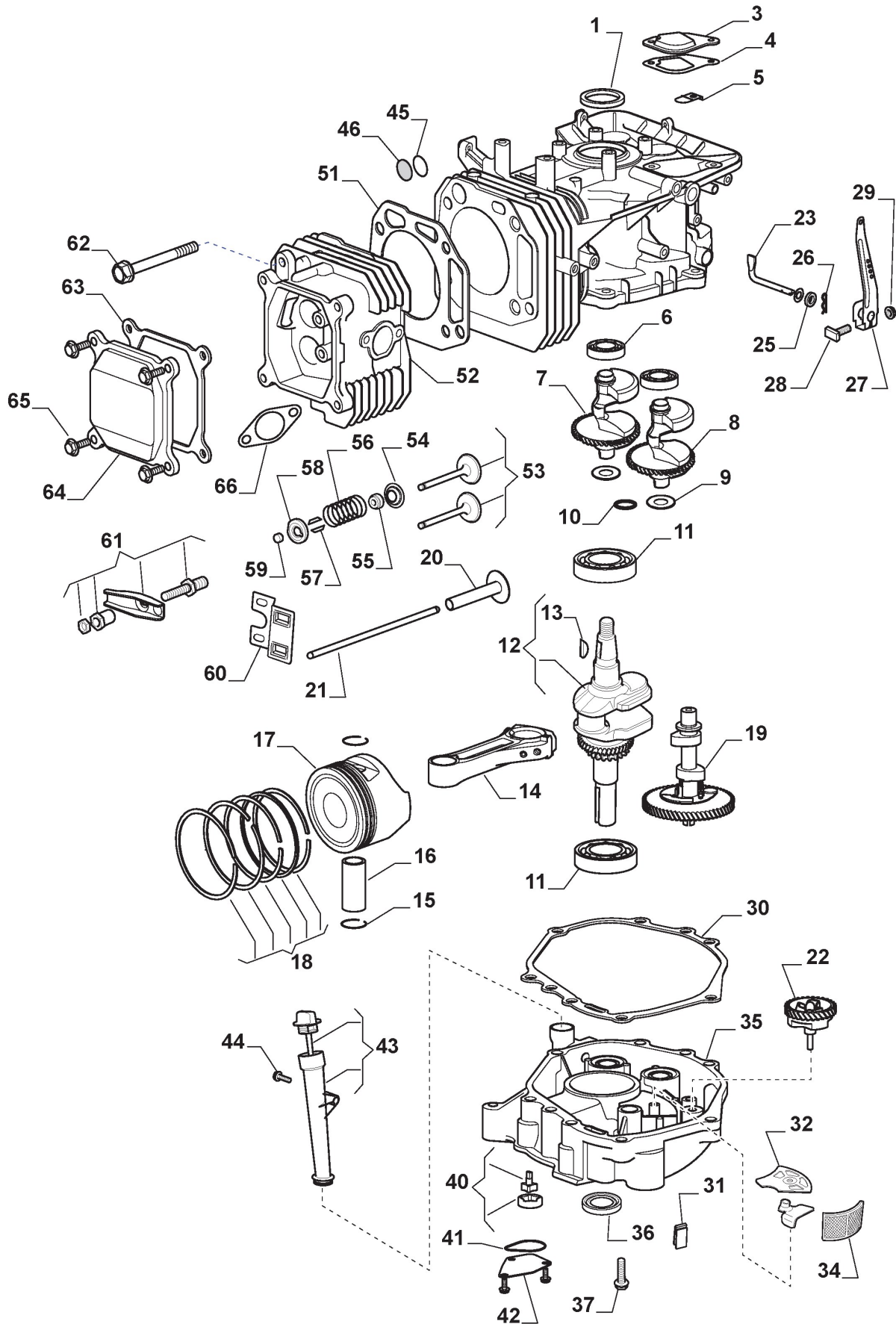
Réf. N°	Q.té :	Code article	Description	Articles	De	Jusqu'à
1	1	118551261/0	Ens. Capot			
2	3	112790500/0	Vis			
3	1	118550203/0	Couvercle Ventilateur			
4	3	118551280/0	Plaque			
5	4	112791213/1	Vis			
6	1	118550237/0	Ecrou			
7	1	118550236/0	Coupe Démarreur			
8	1	118550235/1	Ventilateur			
9	1	118550234/2	Ens. Volant			
10	1	118550214/0	Ens. Moteur De Demarreur	early version		
10	1	118551440/0	Ens. Moteur De Demarreur	latest version		
11	2	112691100/0	Vis	early version		
11	2	112691100/0	Vis	latest version		
12	1	118550210/1	Ens. Bobine, Chargeur	early version		
12	1	118551441/0	Ens. Bobine, Chargeur	latest version		
13	1	118550209/1	Bobine Électronique	early version		
13	1	118551438/0	Bobine Électronique	latest version		
15	1	9400-0244-00	Bougie			
16	1	118550208/1	Rectfier	early version		
16	1	118551428/1	Rectfier	latest version		
17	1	118550207/1	Cablagers Rectifier	early version		
17	1	118551439/0	Cablagers Rectifier	latest version		
18	1	118550331/1	Ens. Comand Du Accelérateur			
19	1	118550212/0	Boucle Cable			
20	1	118550213/0	Ressort			
21	1	118551219/0	Lien De Gouverneur			
22	1	118551218/0	Tige Choke			
23	1	118551267/0	Etrier			
24	1	118551221/0	Tringle			
25	2	118551277/0	Boulon			
26	1	118551520/0	Carburateur			
27	1	118550225/1	Tuyau Soupirl			
28	1	118550202/2	Ens. Filtre A Air			
29	2	118550201/0	Poignée			
30	1	118550199/0	Filtre À Air			
31	1	118550200/0	Couvercle Filtre Air			
32	1	118550762/0	Garnitures Du Filtre À Air			
33	2	112292102/0	Ecrou			
34	1	118550432/0	Conduite Combustible			
35	1	118550354/1	Filtre Carburant			
36	2	118551279/0	Prisonnier			
37	1	118551263/0	Joint Collecteur-Cylindre			
38	1	118551265/0	Collecteur D'Aspiration			
39	2	118551262/0	Garniture Carburateur			
40	1	118551259/0	Protection			
42	1	118551260/0	Protection			
45	1	118550365/1	Kit Réparation			
46	1	118550332/1	Bross			



# Moteur - Carburateur, Ens. Filtre A Air

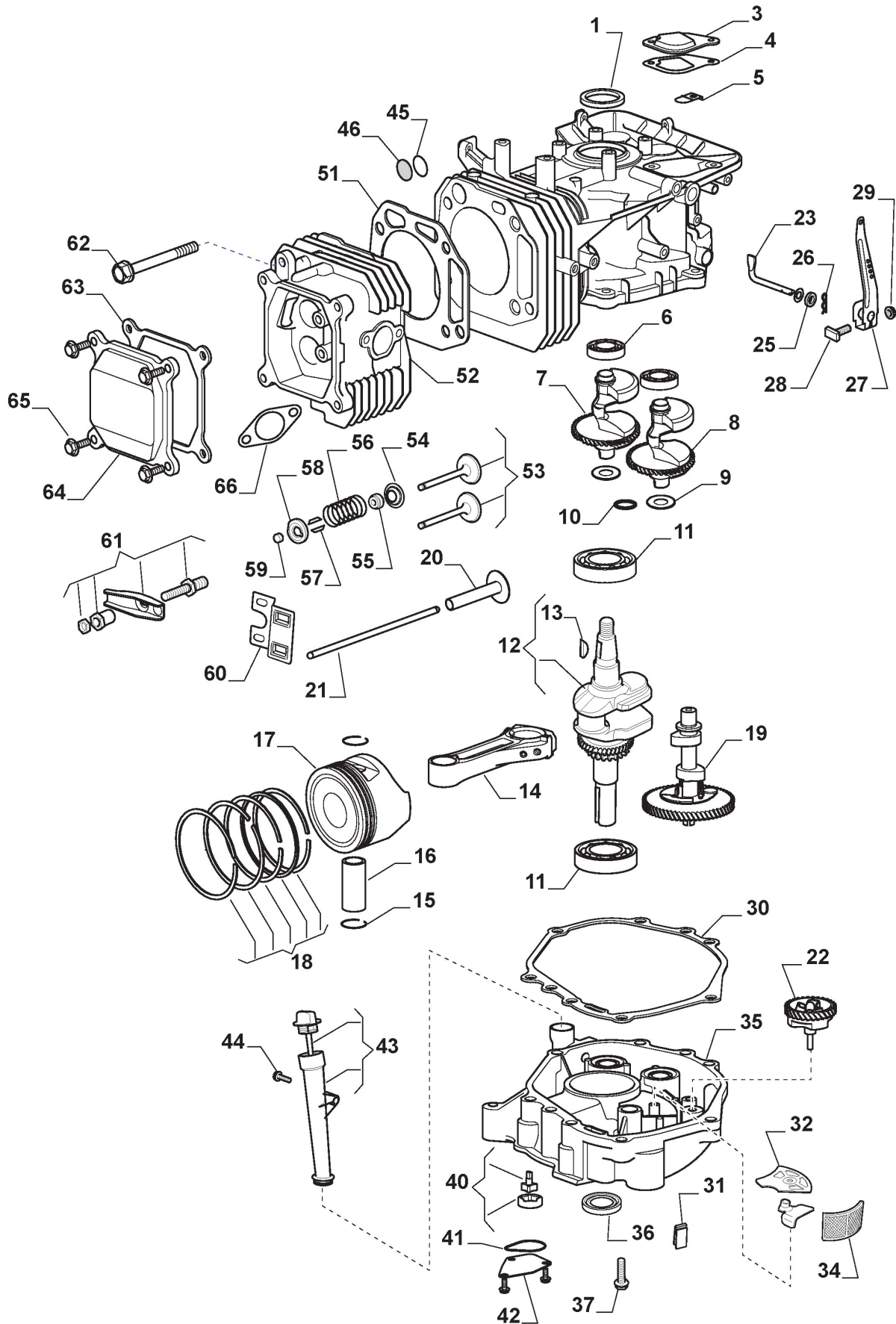
Réf. N°	Q.té :	Code article	Description	Articles	De	Jusqu'à
47	1	118550440/0	Kit Réparation Carburateur			
48	1	118550442/0	Kit Garnitures Carburateur			





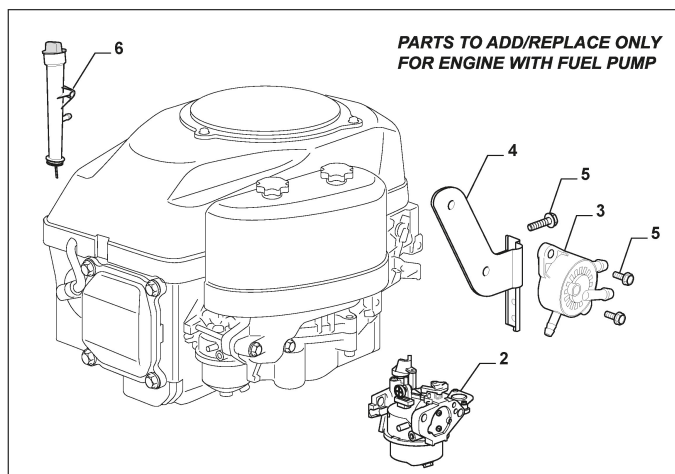
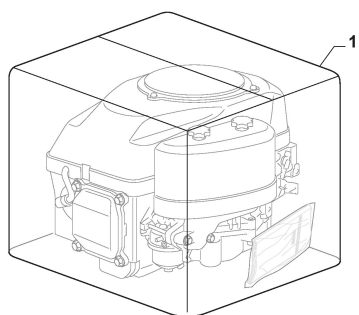
# Moteur - Piston, Arbre Moteur

Réf. N°	Q.té :	Code article	Description	Articles	De	Jusqu'à
1	1	118550443/0	Anneau De Tenue			
2	1	118551224/0	Carter Moteur			
3	1	118551227/0	Couvercle			
4	1	118551229/0	Garniture			
5	1	118550303/0	Plaquette			
6	2	118551284/0	Roulement			
7	1	118551242/0	Contrepoids			
8	1	118551243/0	Contrepoids			
9	2	118551282/0	Rondelle			
10	1	118551286/0	O Ring			
11	2	118550227/0	Roulement À Billes			
12	1	118550232/0	Arbre Moteur			
13	1	118550288/0	Clé de volant			
14	1	118550231/1	Ens. Bielle			
15	2	118551283/0	Circlip Pointeau			
16	1	118551241/0	Pointeau Piston			
17	1	118551519/0	Piston			
18	1	118551518/0	Ens. Bagues Élastiques			
19	1	118550243/0	Arbre À Cames			
20	2	118551252/0	Poussoir De Valve			
21	2	118550242/1	Ens. Tige			
22	1	118550347/0	Ens. Régulateur De Vitesse			
23	1	118551268/0	Tringle Commande De Puissance De Carburateur			
25	1	118551285/0	Anneau De Tenue			
26	1	118550856/0	Goupille			
27	1	118551220/0	Ens. Gouverneur Levier			
28	1	118550805/0	Vis			
29	1	118550806/0	Ecrou			
30	1	118550355/1	Garniture Carter			
31	1	118551258/0	Caoutchouc			
32	1	118551257/1	Couvercle			
34	1	118551256/1	Tamis À Huile			
35	1	118551207/0	Carter Moteur			
36	1	118550443/0	Anneau De Tenue			
37	4	112691115/0	Vis			
40	1	118550224/1	Pompe À Huile			
41	1	118551287/0	Garniture			
42	1	118550223/0	Couvercle Pompe À Huile			
43	1	118550205/2	Ensemble Tuyau Niveau Huile			
44	1	112674701/0	Vis			
45	1	118551230/0	Vanne Évent			
46	1	118551228/0	Couvercle			
51	1	118551504/0	Garniture			
52	1	118551503/0	Culasse Du Cylindre			
53	1	118551289/0	Ens. Soupape Aspiration + Évacuation			
54	2	118551245/0	Tournette			
55	2	118551248/0	Garniture			



## Moteur - Piston, Arbre Moteur

Réf. N°	Q.té :	Code article	Description	Articles	De	Jusqu'à
56	2	118550529/0	Ressort Soupape			
57	4	118551247/0	Ventil keeper			
58	2	118551246/0	Butée			
59	2	118551244/0	Ventil cap			
60	1	118551254/0	Plaquette			
61	1	118551249/0	Ens. Culbuteur			
62	4	118551278/0	Vis			
63	1	118551531/0	Joint d'étanchéité			
64	1	118551534/0	Cache-Soupapes			
65	4	118551535/0	Boulon			
66	1	118551272/0	Garniture Silencieux			



## Moteur, Pompe à Carburant

Réf. N°	Q.té :	Code article	Description	Articles	De	Jusqu'à
1	1	118550451/1	Moteur Complete			
2	1	118550435/1	Carburateur			
3	1	118551578/0	Pompe Essence			
4	1	118550348/1	Support Pompe Essence			
5	4	112791400/0	Vis			
6	1	118550444/1	Ensemble Tuyau Niveau Huile			