

# ST. S.P.A.

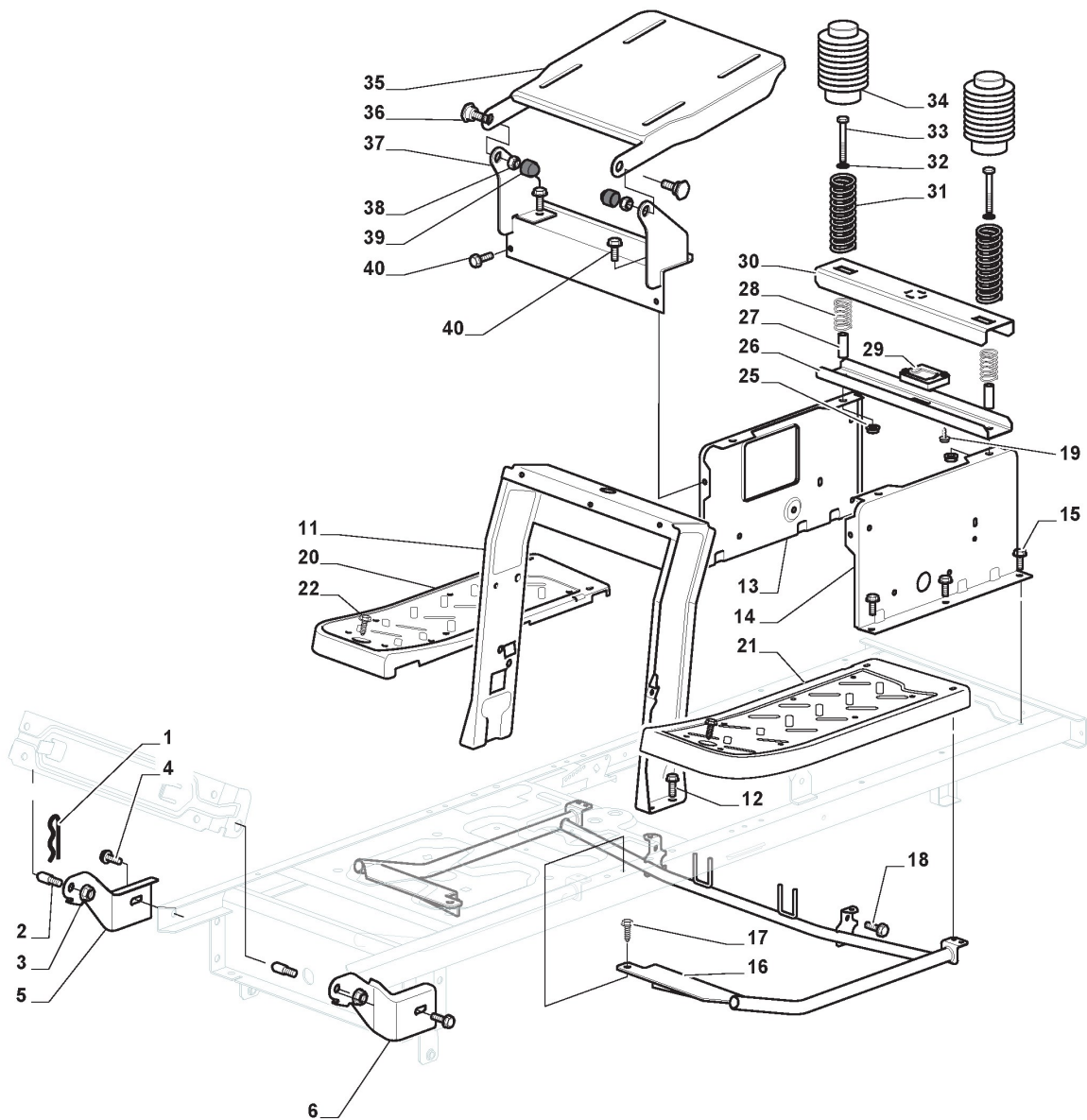
## RL 998L (2021)

RL 998L (2021)

### **Spare parts list** **Reservdelar** **Repuestos** **Ersatzteile** **Pièces détachées** **Reserve onderdelen** **Catalogo ricambi**

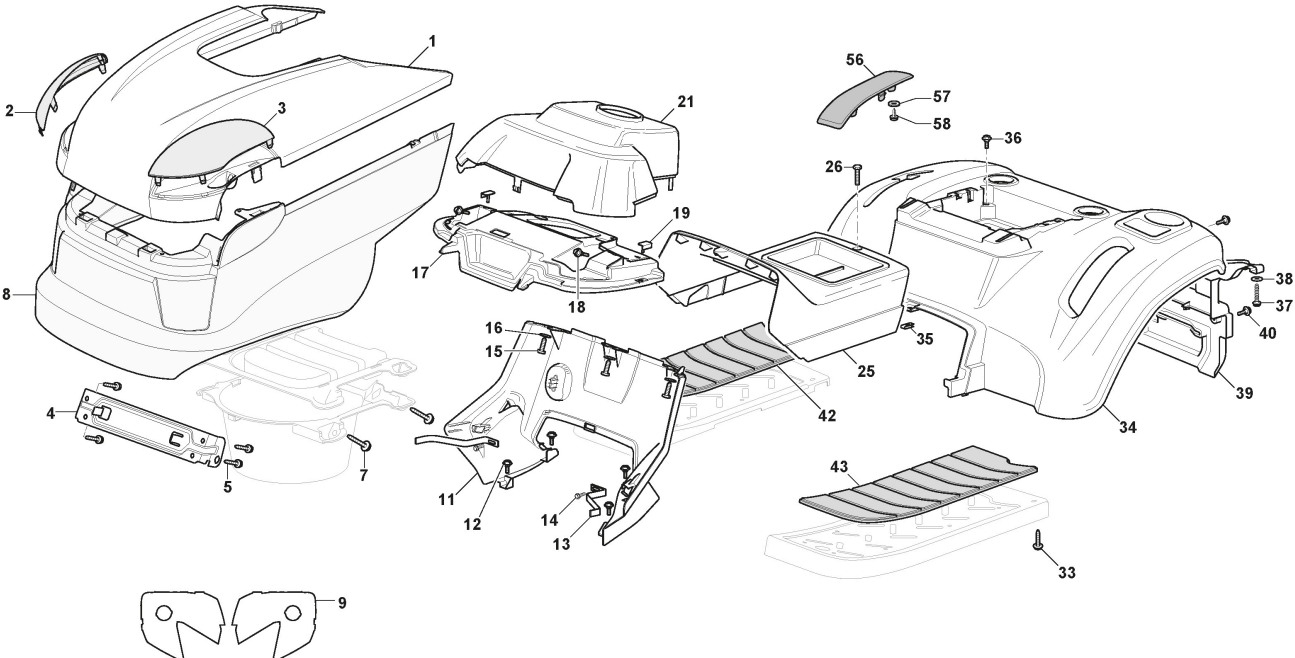
- Use ST. S.p.A. Genuine Spare Parts specified in the parts list for repair and/or replacement.
- The contents described in the parts list may change due to improvement.
- The drawings of the spare parts are only indicative And might Not represent the part in question exactly.
- The indications "right" - "left" - "front" - "rear" refer to the position of the operator when using the machine.
- When placing orders of parts for repair And/Or replacement, make sure that the illustrated parts list Is the one applying to the machine's year of manufacture, as shown on the identification plate attached to the machine.

All rights reserved. No part Of this material may be reproduced Or transmitted, in any form Or by any means, electronic Or mechanical, including photocopying, recording Or by any information storage And retrieval system, without permission in writing from ST. S.p.A.



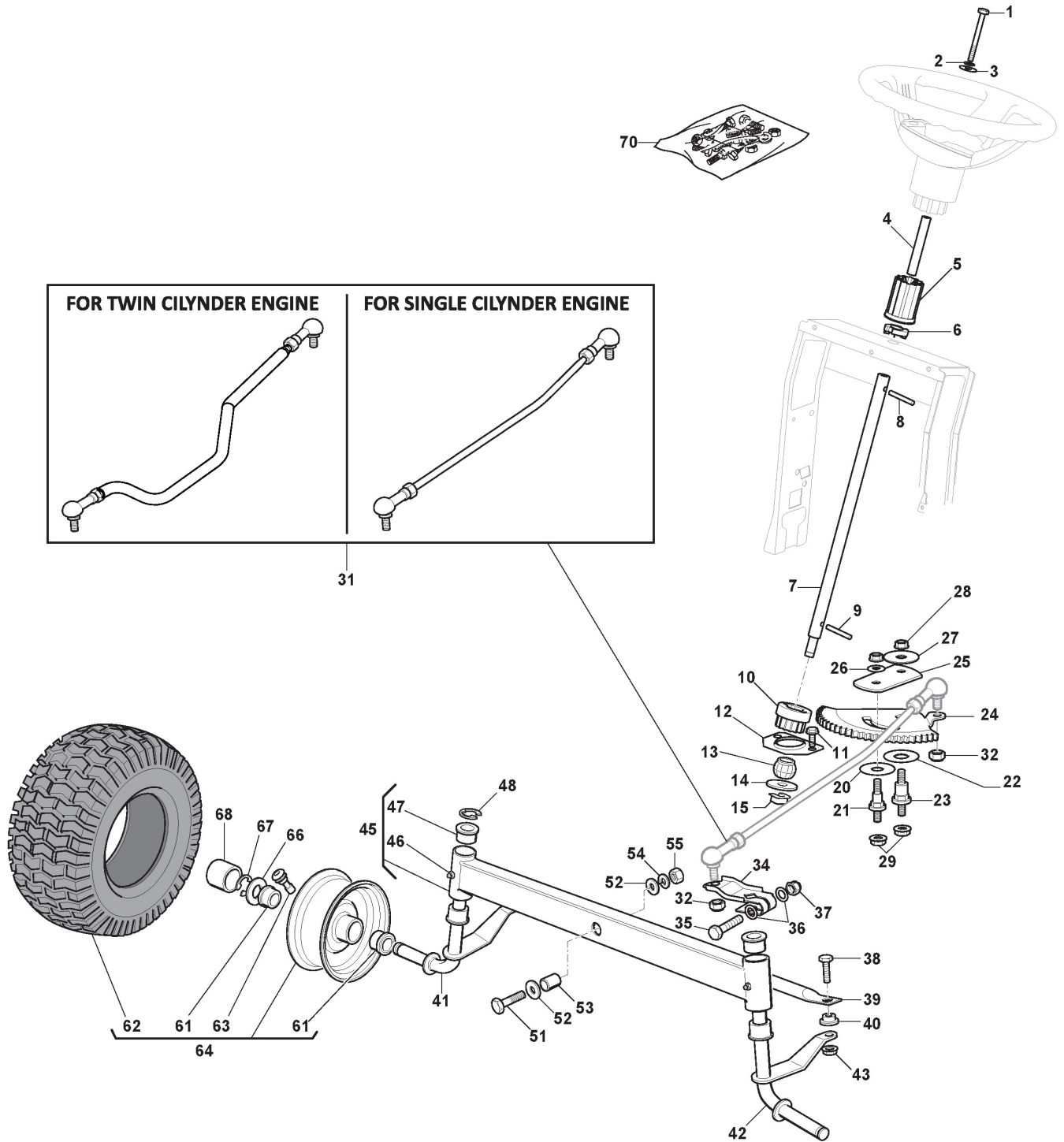
# Chassis

| Réf. N° | Q.té : | Code article | Description               | Articles               | De                             | Jusqu'à            |
|---------|--------|--------------|---------------------------|------------------------|--------------------------------|--------------------|
| 1       | 1      | 124487998/0  | Goupille                  |                        |                                |                    |
| 2       | 2      | 125510079/1  | Pivot                     |                        |                                | To S/N<br>19DA3RON |
| 2       | 2      | 125510169/0  | Pivot                     |                        | From S/N<br>19DA3RON<br>003315 | To<br>20EA3RON     |
| 3       | 2      | 112154210/0  | Ecrou                     |                        |                                |                    |
| 3       | 2      | 112155000/0  | Ecrou                     |                        | From<br>01-Septem<br>ber-2013  |                    |
| 4       | 2      | 112735599/0  | Vis                       |                        |                                |                    |
| 5       | 1      | 325547225/0  | Plaque Droite             |                        |                                |                    |
| 6       | 1      | 325547227/0  | Plaque Gauche             |                        |                                |                    |
| 11      | 1      | 382785169/1  | Support Tube De Direction |                        |                                |                    |
| 12      | 4      | 125943009/0  | Vis                       |                        |                                |                    |
| 13      | 1      | 325785331/1  | Support Siege Droit       |                        |                                |                    |
| 14      | 1      | 325785333/1  | Support Siege Gauche      |                        |                                |                    |
| 15      | 6      | 125943009/0  | Vis                       |                        |                                |                    |
| 16      | 1      | 382785197/0  | Support Marchepied        | For Hydrostatic Models |                                |                    |
| 17      | 2      | 125943009/0  | Vis                       |                        |                                |                    |
| 18      | 2      | 125943009/0  | Vis                       |                        |                                |                    |
| 19      | 2      | 112728686/0  | Vis                       |                        |                                |                    |
| 20      | 1      | 325500041/1  | Marchepied Droit          |                        |                                |                    |
| 21      | 1      | 325500043/1  | Marchepied Gauche         |                        |                                |                    |
| 22      | 2      | 112735599/0  | Vis                       |                        |                                |                    |
| 25      | 2      | 112293201/0  | Ecrou                     |                        |                                |                    |
| 26      | 1      | 325820109/0  | Support Siege             |                        |                                |                    |
| 26      | 1      | 325820109/1  | Support Siege             |                        |                                |                    |
| 27      | 2      | 125160048/0  | Entretoise                |                        |                                |                    |
| 28      | 2      | 125430263/0  | Ressort                   |                        |                                |                    |
| 29      | 1      | 325785379/0  | Support                   |                        |                                | To<br>20EA3RON     |
| 29      | 1      | 325785379/1  | Support                   |                        | From<br>01-Septem<br>ber-2013  |                    |
| 30      | 1      | 325820111/1  | Switch Comand Cross       |                        |                                |                    |
| 31      | 2      | 125430264/0  | Ressort                   |                        |                                |                    |
| 32      | 2      | 112521350/0  | Rondelle                  |                        |                                |                    |
| 33      | 2      | 112691400/0  | Vis                       |                        |                                |                    |
| 34      | 2      | 325122002/0  | Protecteur                |                        |                                |                    |
| 35      | 1      | 382547061/0  | Plaque                    |                        |                                |                    |
| 36      | 2      | 122524970/2  | Pivot                     |                        |                                | To<br>20EA3RON     |
| 36      | 2      | 122524970/3  | Goupille                  |                        | From<br>01-Septem<br>ber-2014  | To S/N<br>20EA3RON |
| 37      | 1      | 382820151/0  | Support Siege             |                        |                                |                    |
| 37      | 1      | 382820151/1  | Support Siege             |                        | From S/N<br>20EA3RON<br>000612 |                    |
| 38      | 2      | 112155010/0  | Ecrou                     |                        |                                |                    |
| 39      | 2      | 118203854/0  | Capot                     |                        |                                |                    |
| 40      | 4      | 125943009/0  | Vis                       |                        |                                |                    |



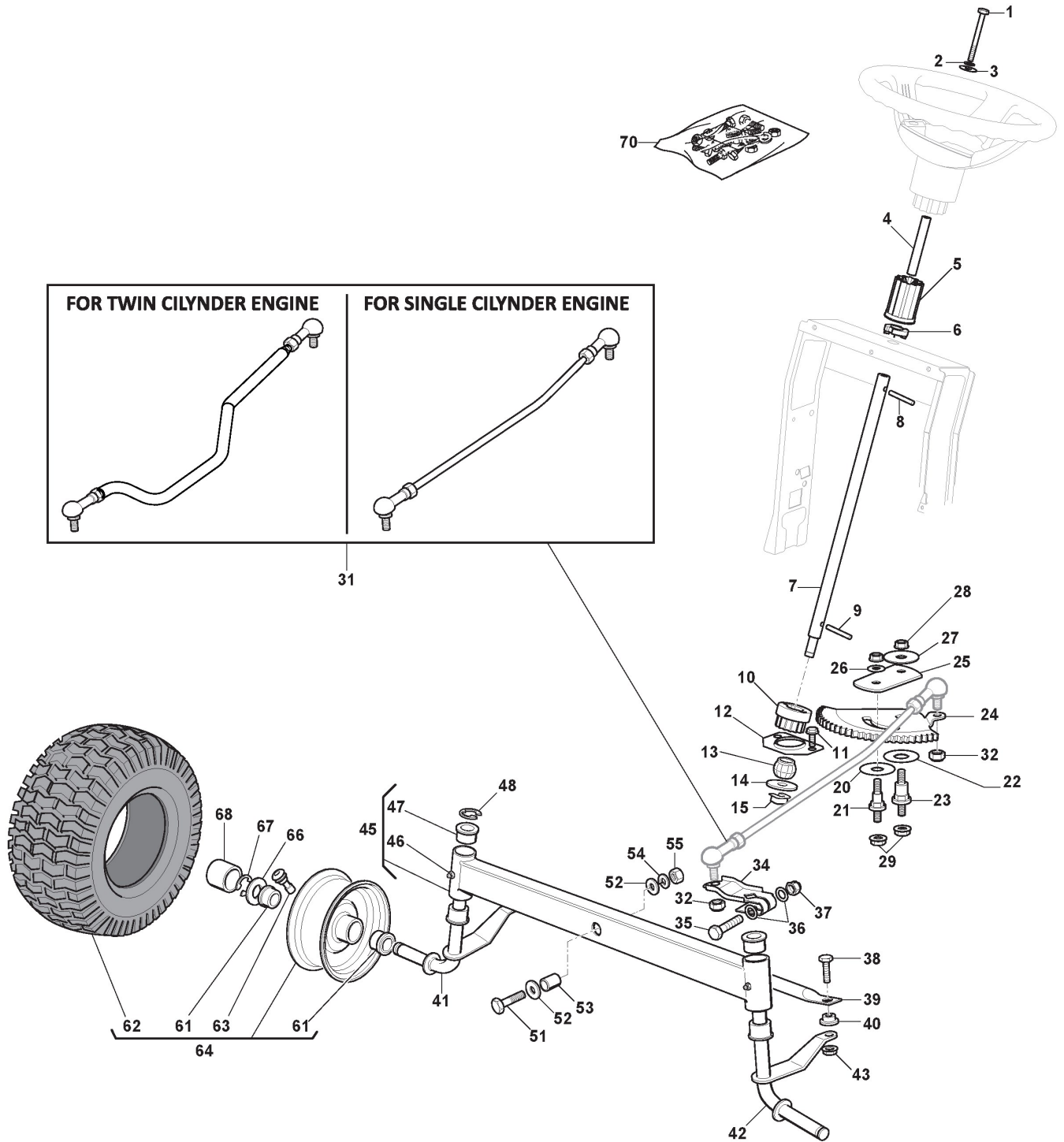
# Carrosserie

| Réf. N° | Q.té : | Code article | Description                | Articles                                    | De                | Jusqu'à        |
|---------|--------|--------------|----------------------------|---|-------------------|----------------|
| 1       | 1      | 325076910/0  | Capot Superieure Rouge     |   |                   | To             |
| 1       | 1      | 325076910/1  | Capot Superieure Rouge     |   | From              | 31-August-2016 |
| 2       | 1      | 325410901/0  | Panneau Droit              |   |                   |                |
| 3       | 1      | 325410902/0  | Panneau Gauche             |   |                   |                |
| 4       | 1      | 325785365/0  | Support Capot              |   |                   |                |
| 5       | 4      | 112735403/0  | Vis                        |   |                   |                |
| 7       | 4      | 112728692/0  | Vis                        |   |                   |                |
| 8       | 1      | 325076911/0  | Capot Inferieure           |   | From              | To             |
| 8       | 1      | 325076911/1  | Capot Inferieure           |   | From              |                |
| 9       | 1      | 114365476/1  | Autocollant Parabole Phare |   | 01-September-2013 |                |
| 11      | 1      | 325785298/0  | Support Tableau Comm.      |   |                   |                |
| 12      | 4      | 125943010/0  | Vis                        |   |                   |                |
| 13      | 2      | 325270325/0  | Guide                      |   |                   |                |
| 14      | 2      | 112735599/0  | Vis                        |   |                   |                |
| 15      | 3      | 112735406/0  | Vis                        |   |                   |                |
| 16      | 3      | 112523040/0  | Rondelle                   |   |                   |                |
| 17      | 1      | 325120202/1  | Console                    |   |                   | To             |
| 17      | 1      | 325120209/0  | Console                    |   | From              | 31-August-2011 |
| 17      | 1      | 325120259/0  | Console                    |   | From              | To             |
| 17      | 1      | 325120259/1  | Console                    |   | 01-September-2014 | 31-August-2015 |
| 17      | 1      | 325120259/2  | Console                    |   | From              |                |
| 18      | 2      | 125943010/0  | Vis                        |   | 01-September-2017 |                |
| 19      | 2      | 325260003/0  | Caoutchouc                 |   |                   |                |
| 21      | 1      | 325120203/0  | Couvercle                  |   |                   |                |
| 25      | 1      | 325110397/1  | Couvre Central Noir        |   |                   |                |
| 26      | 1      | 125943010/0  | Vis                        |   |                   |                |
| 33      | 4      | 112735406/0  | Vis                        |   |                   |                |
| 34      | 1      | 325110400/0  | Couvre-Roues Noir          |   |                   |                |
| 35      | 1      | 112437506/0  | Plaque                     |   |                   |                |
| 36      | 2      | 125943010/0  | Vis                        |   |                   |                |
| 37      | 2      | 112735406/0  | Vis                        |   |                   |                |
| 38      | 2      | 112523040/0  | Rondelle                   |   |                   |                |
| 39      | 1      | 325547208/1  | Plaque                     |   |                   | To             |
| 39      | 1      | 325547208/2  | Plaque                     |   | From              | 31-August-2013 |
| 40      | 2      | 125943010/0  | Vis                        |   |                   |                |
| 42      | 1      | 325110384/0  | Couvre Marchepied Droit    | As Optional - Not present on all assortment |                   |                |
| 43      | 1      | 325110385/0  | Couvre Marchepied Gauche   | As Optional - Not present on all assortment |                   |                |
| 56      | 1      | 325207190/0  | Couvercle                  |   |                   | To             |
| 56      | 1      | 325207190/1  | Couvercle                  |   | From              |                |
| 57      | 4      | 112523050/0  | Rondelle                   |   | 01-January-2021   |                |
| 58      | 2      | 112735403/0  | Vis                        |   |                   |                |



# Barre De Direction

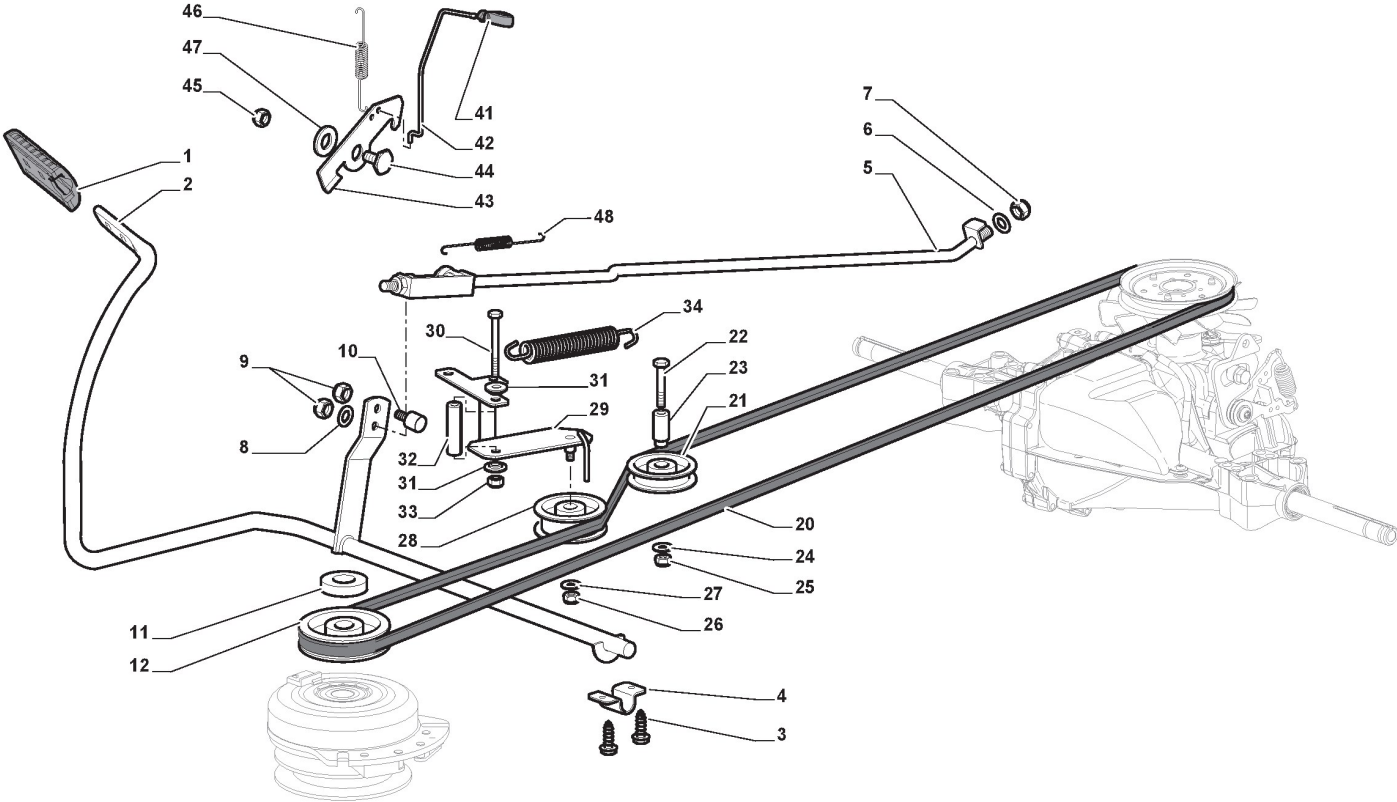
| Réf. N° | Q.té : | Code article | Description                         | Articles                   | De                             | Jusqu'à                      |
|---------|--------|--------------|-------------------------------------|----------------------------|--------------------------------|------------------------------|
| 1       | 1      | 112692050/0  | Vis                                 |                            |                                |                              |
| 2       | 1      | 112540260/0  | Rondelle                            |                            |                                |                              |
| 3       | 1      | 112523070/0  | Rondelle                            |                            |                                |                              |
| 4       | 1      | 125160047/0  | Entretoise                          |                            |                                |                              |
| 5       | 1      | 325785318/0  | Support                             |                            |                                |                              |
| 6       | 1      | 325038008/0  | Douille                             |                            |                                |                              |
| 7       | 1      | 125520007/0  | Tube De Direction                   |                            |                                |                              |
| 8       | 1      | 112620300/0  | Ressort                             |                            |                                |                              |
| 9       | 1      | 112622650/0  | Goupille                            |                            |                                |                              |
| 10      | 1      | 125570003/0  | Pignon                              |                            |                                |                              |
| 11      | 2      | 127943051/0  | Vis                                 |                            |                                |                              |
| 12      | 1      | 325785213/1  | Support                             |                            |                                |                              |
| 13      | 1      | 325743000/0  | Joint                               |                            |                                |                              |
| 14      | 1      | 112521370/0  | Rondelle                            |                            |                                |                              |
| 15      | 1      | 112436030/0  | Plaquette                           |                            |                                |                              |
| 20      | 1      | 322672151/0  | Rondelle Antifricion                |                            |                                |                              |
| 21      | 1      | 125510104/0  | Pivot                               |                            |                                | To S/N<br>19LA3RON<br>007423 |
| 21      | 1      | 125510173/0  | Pivot                               |                            | From S/N<br>19FA3RON<br>000287 |                              |
| 22      | 1      | 125670023/0  | Rondelle                            |                            |                                |                              |
| 23      | 1      | 125510109/0  | Pivot                               |                            |                                | To S/N<br>19LA3RON<br>007423 |
| 23      | 1      | 125510165/0  | Pivot                               |                            | From S/N<br>19FA3RON<br>000287 |                              |
| 24      | 1      | 325735519/0  | Secteur Direction                   |                            |                                |                              |
| 25      | 1      | 325547233/0  | Plaquette                           |                            |                                |                              |
| 26      | 1      | 112369500/0  | Disque Elastique                    |                            |                                |                              |
| 27      | 1      | 122160400/0  | Disque Elastique                    |                            |                                |                              |
| 28      | 2      | 112155010/0  | Ecrou                               |                            |                                |                              |
| 29      | 2      | 112155010/0  | Ecrou                               |                            |                                |                              |
| 31      | 1      | 382000566/2  | Barre De Direction                  | For Single Cylinder Engine |                                |                              |
| 32      | 2      | 112156602/0  | Ecrou                               |                            |                                |                              |
| 34      | 1      | 325318243/0  | Levier                              |                            |                                | To S/N<br>19LA3RON<br>007423 |
| 34      | 1      | 382318323/0  | Levier commande de direction        |                            | From<br>17-June-20<br>19       | To S/N<br>19LA3RON<br>007423 |
| 35      | 1      | 112692390/0  | Vis                                 |                            |                                | To S/N<br>19LA3RON<br>007423 |
| 35      | 1      | 112692395/2  | Vis                                 |                            | From<br>17-June-20<br>19       | To S/N<br>19LA3RON<br>007423 |
| 36      | 2      | 112521360/0  | Rondelle                            | no more needed             |                                | To S/N<br>19LA3RON<br>007423 |
| 37      | 1      | 112155020/0  | Ecrou                               |                            | From<br>17-June-20<br>19       | To S/N<br>19LA3RON<br>007423 |
| 37      | 1      | 112156602/0  | Ecrou                               |                            |                                | To S/N<br>19LA3RON<br>007423 |
| 38      | 2      | 125510103/0  | Pivot                               |                            |                                |                              |
| 39      | 1      | 325840029/0  | Tirant                              |                            |                                |                              |
| 40      | 2      | 325038007/0  | Douille                             |                            |                                |                              |
| 41      | 1      | 382230373/0  | Fuseau Droit                        |                            |                                | To S/N<br>19LA3RON<br>000055 |
| 41      | 1      | 382230373/1  | Fuseau Droit                        |                            | From S/N<br>19FA3RON<br>000055 | To S/N<br>19LA3RON<br>000055 |
| 42      | 1      | 382230375/0  | Fuseau Gauche                       |                            |                                | To S/N<br>19LA3RON<br>000103 |
| 42      | 1      | 382230375/1  | Fuseau Gauche                       |                            | From S/N<br>19FA3RON<br>000103 | To S/N<br>19LA3RON<br>000103 |
| 43      | 2      | 112155000/0  | Ecrou                               |                            |                                |                              |
| 45      | 1      | 382034030/0  | Balancier Avec Douille Et Graisseur |                            |                                |                              |
| 46      | 2      | 112379511/0  | Graisseur                           |                            |                                |                              |
| 47      | 4      | 125034002/1  | Douille                             |                            |                                |                              |
| 48      | 1      | 112001010/0  | Anneau Benzing                      |                            |                                |                              |





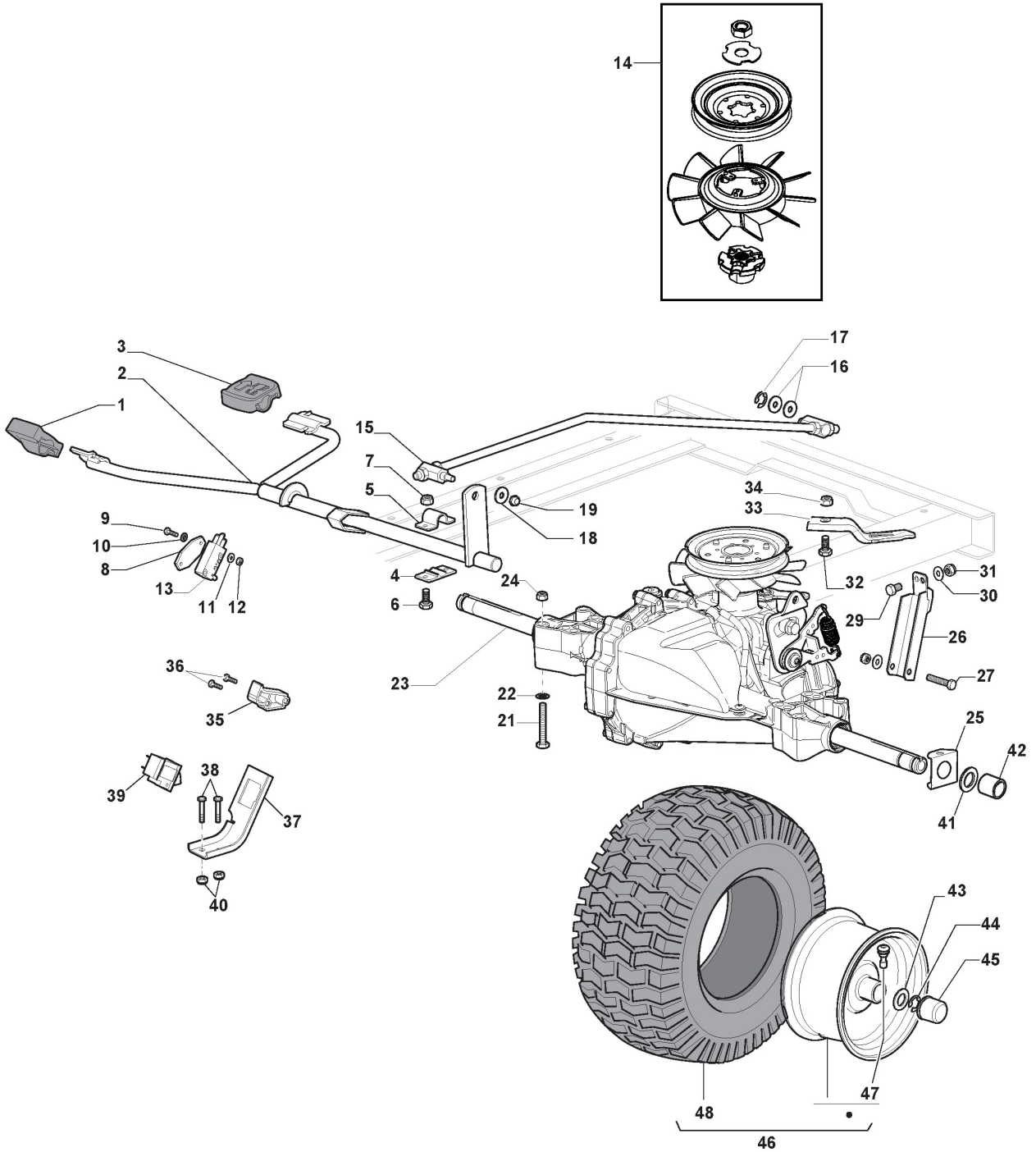
## Barre De Direction

| Réf. N° | Q.té : | Code article | Description               | Articles      | De | Jusqu'à |
|---------|--------|--------------|---------------------------|---------------|----|---------|
| 51      | 1      | 112692695/0  | Vis                       |               |    |         |
| 52      | 2      | 112523100/0  | Rondelle                  |               |    |         |
| 53      | 1      | 125160016/1  | Entretoise                |               |    |         |
| 54      | 1      | 112587100/0  | Grower                    |               |    |         |
| 55      | 1      | 112295300/0  | Ecrou                     |               |    |         |
| 61      | 4      | 125122200/2  | Roulement                 |               |    |         |
| 62      | 2      | 125590019/0  | Pneu 15x6.00-6 P512 WANDA | 15"           |    |         |
| 63      | 2      | 125950000/0  | Vanne                     |               |    |         |
| 64      | 2      | 382680051/0  | Ens. Roue                 | 15" - P512    |    |         |
| 66      | 2      | 125670005/2  | Rondelle                  |               |    |         |
| 67      | 2      | 112001010/0  | Anneau Benzing            |               |    |         |
| 70      | 1      | 382180142/0  | Dotation Visserie         | Pos 1-4 incl. |    |         |



# Commande Frein Et Boite De Vitesse

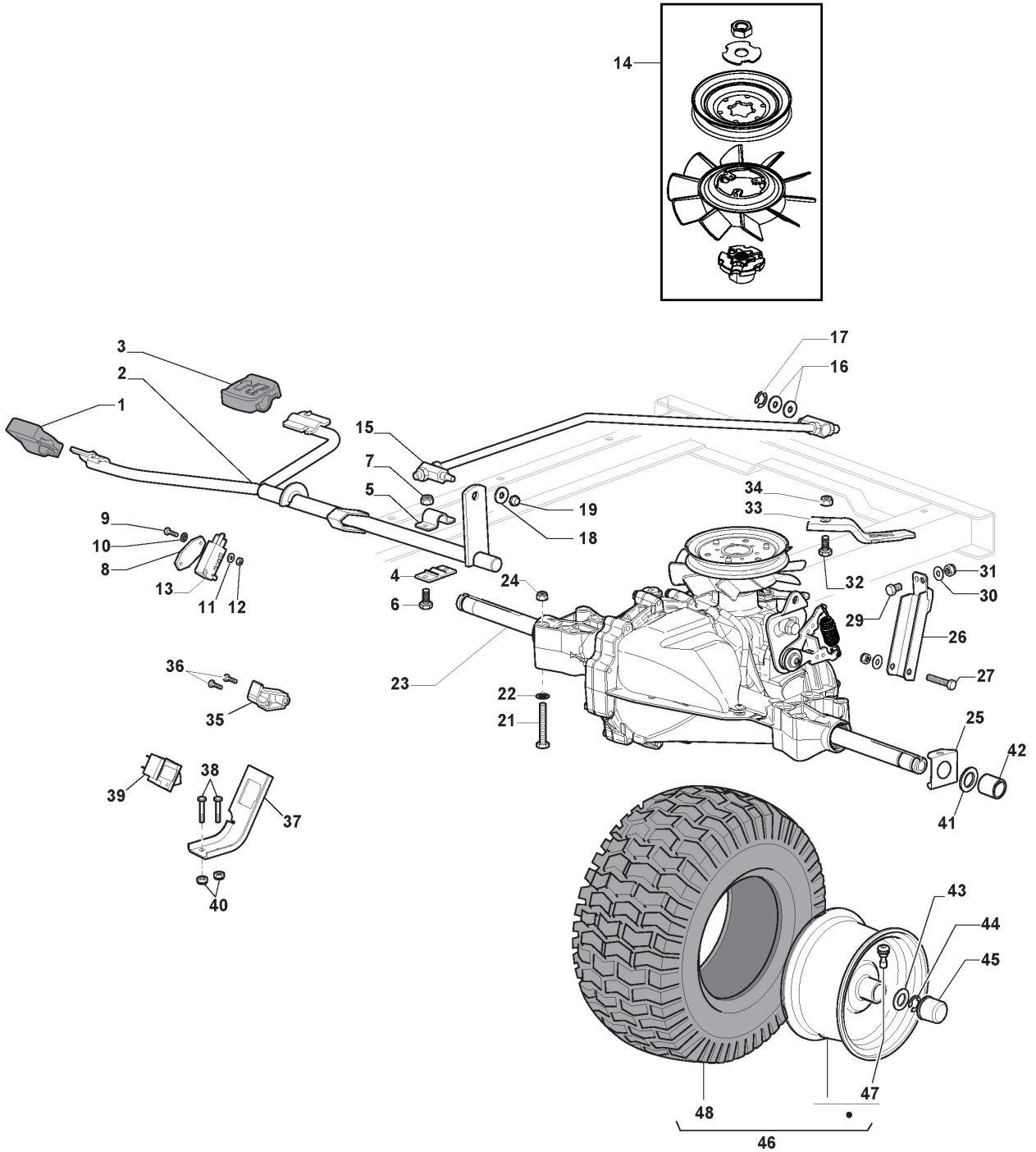
| Réf. N° | Q.té : | Code article | Description           | Articles | De                             | Jusqu'à                      |
|---------|--------|--------------|-----------------------|----------|--------------------------------|------------------------------|
| 1       | 1      | 325110409/0  | Couvre Etrier         |          |                                |                              |
| 2       | 1      | 382000641/0  | Pedal                 |          |                                | To S/N<br>10010000           |
| 2       | 1      | 382000641/1  | Pedal                 |          | From S/N<br>19FA3RON<br>000275 |                              |
| 3       | 4      | 112735599/0  | Vis                   |          |                                |                              |
| 4       | 2      | 325547231/0  | Plaquette             |          |                                | To S/N<br>20JA3RON<br>000566 |
| 4       | 2      | 325547231/1  | Plaquette             |          | From S/N<br>00100000           |                              |
| 5       | 1      | 382000576/0  | Tige                  |          |                                |                              |
| 6       | 1      | 112521360/0  | Rondelle              |          |                                |                              |
| 7       | 1      | 112156602/0  | Ecrou                 |          |                                |                              |
| 8       | 1      | 325670011/0  | Rondelle Antifriccion |          |                                |                              |
| 9       | 2      | 112155000/0  | Ecrou                 |          |                                |                              |
| 10      | 1      | 125510116/0  | Pivot                 |          |                                | To S/N<br>10010000           |
| 10      | 1      | 125510166/0  | Pivot                 |          | From S/N<br>19DA3RON<br>003315 |                              |
| 11      | 1      | 125160021/0  | Entretoise            |          |                                |                              |
| 12      | 1      | 125601577/0  | Poulie                |          |                                |                              |
| 20      | 1      | 135062003/0  | Courroie              |          |                                | To<br>01-Septem-2015         |
| 20      | 1      | 135062003/1  | Courroie              |          | From<br>01-Septem-2015         |                              |
| 21      | 1      | 125601555/0  | Poulie                |          | From<br>01-Septem-2013         | To<br>01-Septem-2013         |
| 21      | 1      | 325601599/0  | Poulie                |          |                                |                              |
| 22      | 1      | 112691400/0  | Vis                   |          |                                |                              |
| 23      | 1      | 125160051/0  | Entretoise            |          |                                | To S/N<br>00088193           |
| 23      | 1      | 125160083/0  | Entretoise            |          | S/N<br>00000000                | To S/N<br>10010000           |
| 23      | 1      | 125160107/0  | Entretoise            |          | From S/N<br>19JA3RON<br>001862 |                              |
| 24      | 1      | 112523060/0  | Rondelle              |          |                                |                              |
| 25      | 1      | 112155000/0  | Ecrou                 |          |                                |                              |
| 26      | 1      | 112155000/0  | Ecrou                 |          |                                |                              |
| 27      | 1      | 112523060/0  | Rondelle              |          |                                |                              |
| 28      | 1      | 125601554/0  | Poulie                |          |                                |                              |
| 29      | 1      | 382318245/0  | Levier                |          |                                |                              |
| 30      | 1      | 112691600/0  | Vis                   |          |                                |                              |
| 31      | 2      | 125038002/1  | Douille               |          |                                | To<br>31-August-2016         |
| 31      | 2      | 125038021/0  | Douille               |          | From<br>01-Septem-2016         |                              |
| 32      | 1      | 125160027/0  | Entretoise            |          |                                |                              |
| 33      | 1      | 112155000/0  | Ecrou                 |          |                                |                              |
| 34      | 1      | 125430262/0  | Ressort               |          |                                |                              |
| 41      | 1      | 125394509/1  | Poignée               |          | From<br>01-Septem-2013         |                              |
| 41      | 1      | 325394534/0  | Poignée               |          |                                | To<br>31-August-2013         |
| 42      | 1      | 125033083/0  | Tige                  |          |                                |                              |
| 42      | 1      | 125033113/0  | Tige                  |          | From<br>01-Septem-2013         | To<br>01-Septem-2013         |
| 43      | 1      | 325253011/0  | Accrochage            |          |                                | To<br>01-Septem-2013         |
| 43      | 1      | 325253011/1  | Accrochage            |          | From<br>01-Septem-2011         |                              |
| 44      | 1      | 122524970/2  | Pivot                 |          | From<br>01-Septem-2014         | To<br>01-Septem-2014         |
| 44      | 1      | 122524970/3  | Goupille              |          |                                |                              |
| 45      | 1      | 112155000/0  | Ecrou                 |          |                                |                              |
| 46      | 1      | 125430213/0  | Ressort               |          |                                |                              |
| 47      | 1      | 112523060/0  | Rondelle              |          |                                |                              |
| 48      | 1      | 125430269/1  | Ressort               |          |                                |                              |



# Transmission

| Réf. N° | Q.té : | Code article  | Description                                   | Articles       | De                    | Jusqu'à            |
|---------|--------|---------------|---|----------------|-----------------------|--------------------|
| 1       | 1      | 325110274/0   | Couvre Etrier Avant                           |                |                       |                    |
| 2       | 1      | 382000574/2   | Getriebepedal                                 |                |                       |                    |
| 3       | 1      | 325110331/0   | Couvre Etrier Arriere                         |                |                       |                    |
| 4       | 2      | 325785350/0   | Support                                       |                |                       |                    |
| 5       | 2      | 325547231/0   | Plaquette                                     |                |                       | To S/N             |
| 5       | 2      | 325547231/1   | Plaquette                                     |                | From S/N              | 20JA3RON<br>000566 |
| 6       | 4      | 112735599/0   | Vis   |                |                       |                    |
| 7       | 4      | 112154510/0   | Ecrou   |                |                       |                    |
| 8       | 1      | 327546019/0   | Plaquette                                     |                |                       |                    |
| 9       | 2      | 112735602/0   | Vis   |                |                       |                    |
| 10      | 2      | 112540020/0   | Rondelle                                      |                |                       |                    |
| 11      | 2      | 112581100/0   | Grower  |                |                       |                    |
| 12      | 2      | 112290791/0   | Ecrou   |                |                       |                    |
| 13      | 1      | 119410609/1LC | Microinterrupteur                             |                |                       |                    |
| 14      | 1      | 118802723/0   | Fan Kit                                       |                |                       |                    |
| 15      | 1      | 382000573/1   | Tige  |                |                       |                    |
| 16      | 2      | 325670011/0   | Rondelle Antifriccion                         |                |                       |                    |
| 17      | 1      | 112000940/0   | Anneau Benzing                                |                |                       |                    |
| 18      | 1      | 112523040/0   | Rondelle                                      |                |                       |                    |
| 19      | 1      | 112154510/0   | Ecrou   |                |                       |                    |
| 21      | 4      | 112691600/0   | Vis   |                |                       |                    |
| 22      | 4      | 112521350/0   | Rondelle                                      |                |                       |                    |
| 23      | 1      | 118400919/2   | Axe Arriere (Hydro-Gear<br>T2-Adbf-2X3C-17X1) |                |                       |                    |
| 24      | 4      | 112155000/0   | Ecrou   |                |                       |                    |
| 25      | 2      | 325670026/0   | Rondelle                                      |                |                       |                    |
| 26      | 1      | 325785349/1   | Support                                       |                |                       |                    |
| 27      | 1      | 112691700/0   | Vis   |                |                       |                    |
| 29      | 1      | 112792611/0   | Vis   |                |                       |                    |
| 30      | 2      | 112523060/0   | Rondelle                                      |                |                       |                    |
| 31      | 2      | 112155000/0   | Ecrou   |                |                       |                    |
| 32      | 1      | 112791213/1   | Vis   |                |                       |                    |
| 33      | 1      | 325318251/0   | Levier  |                |                       |                    |
| 34      | 1      | 112154510/0   | Ecrou   |                |                       |                    |
| 35      | 1      | 325060034/1   | Came  |                |                       |                    |
| 36      | 2      | 112735403/0   | Vis   |                |                       |                    |
| 37      | 1      | 325774573/0   | Etrier  |                |                       |                    |
| 38      | 2      | 112791400/0   | Vis   |                |                       |                    |
| 39      | 1      | 119410614/0   | Microinterrupteur                             |                |                       | To                 |
| 39      | 1      | 119410623/0   | Microinterrupteur                             |                | From                  |                    |
| 40      | 2      | 112154510/0   | Ecrou   |                | 01-Septem<br>ber-2019 |                    |
| 41      | 2      | 125670005/2   | Rondelle                                      |                |                       |                    |
| 42      | 2      | 125160058/0   | Entretoise                                    |                |                       | To                 |
| 42      | 2      | 125160058/1   | Entretoise                                    |                | From                  |                    |
| 43      | 6      | 125670005/2   | Rondelle                                      |                | 01-January-<br>2021   |                    |
| 44      | 2      | 112001010/0   | Anneau Benzing                                |                |                       |                    |
| 45      | 2      | 322110233/0   | Couvre Moyeu                                  | Standard Cover |                       |                    |
| 46      | 2      | 382680042/0   | Ens. Roue                                     |                |                       | To S/N             |
| 46      | 2      | 382680092/0   | Ens. Roue 18"                                 |                | From S/N              | 20EA3RON<br>001133 |

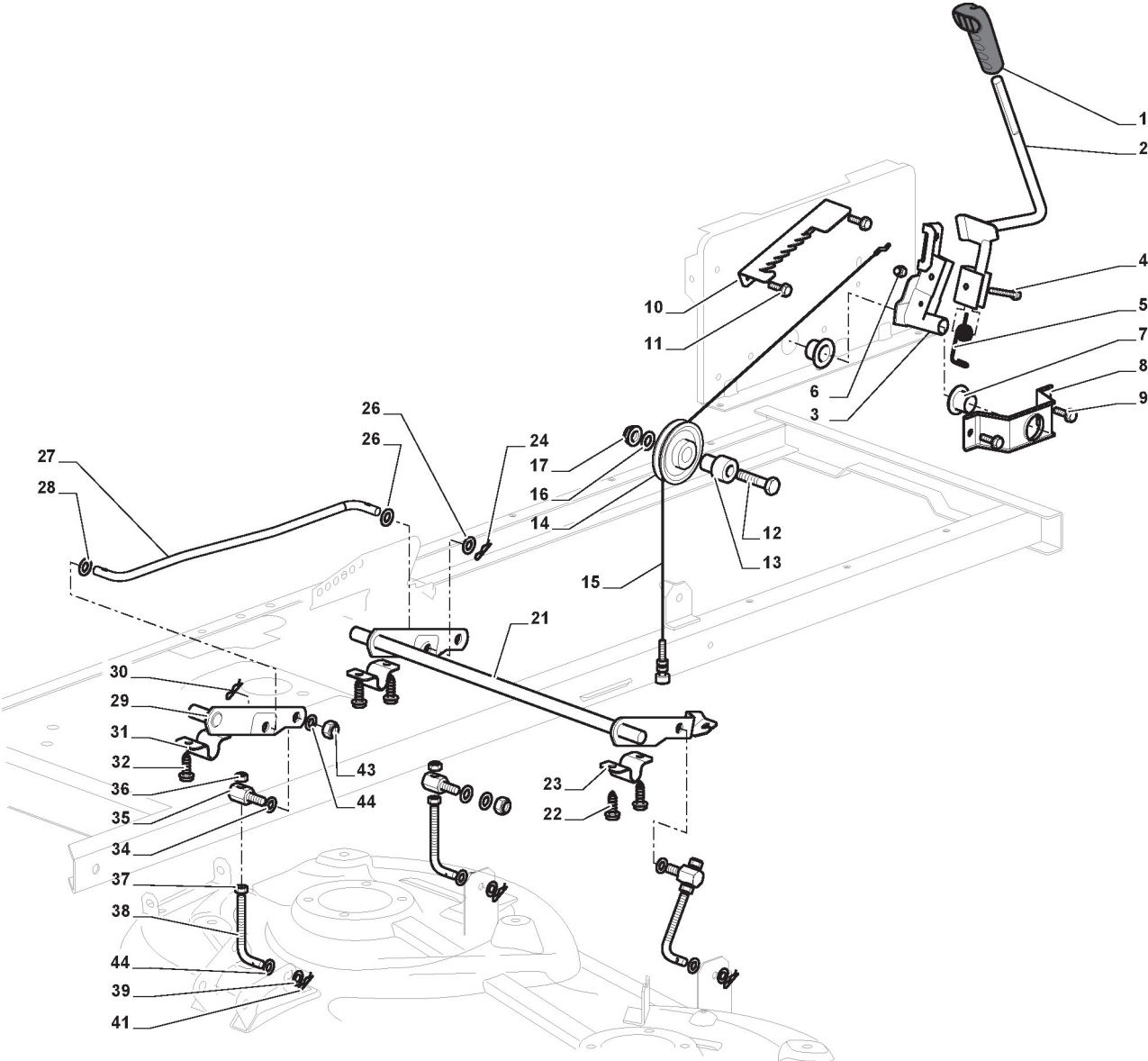




# Transmission

| Réf. N° | Q.té : | Code article | Description                   | Articles | De                             | Jusqu'à             |
|---------|--------|--------------|-------------------------------|----------|--------------------------------|---------------------|
| 47      | 2      | 125950000/0  | Vanne                         |          |                                |                     |
| 48      | 2      | 125590015/0  | Pneu 18x8.50-8 P332 WANDA     |          |                                | To S/N<br>005123001 |
| 48      | 2      | 125590023/0  | Pneu 18x8.50-8 PR4 P512 WANDA |          | From S/N<br>20EA3RON<br>001134 |                     |

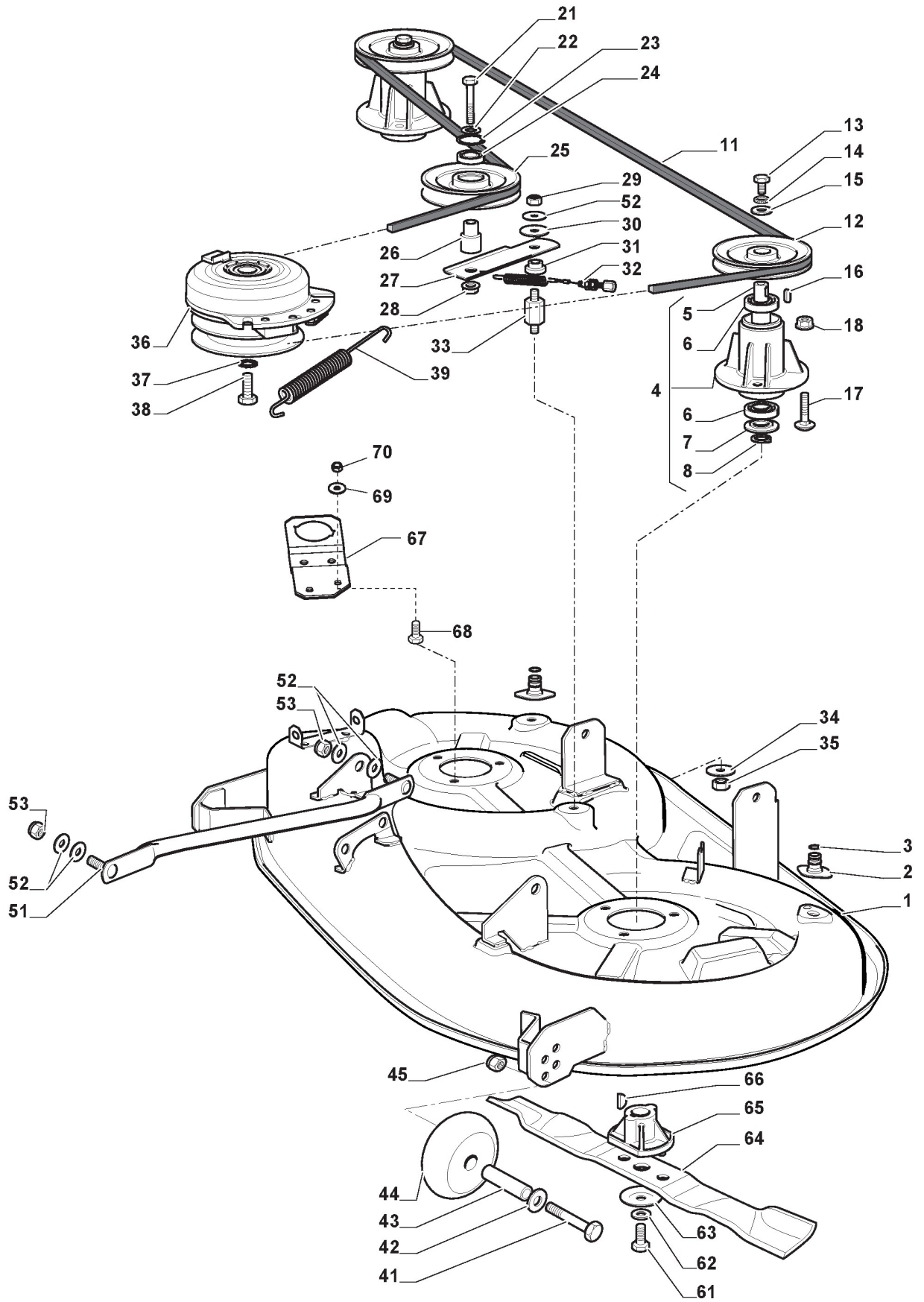




# Soulevement Plateau De Coupe

| Réf. N° | Q.té : | Code article | Description                  | Articles | De                   | Jusqu'à            |
|---------|--------|--------------|------------------------------|----------|----------------------|--------------------|
| 1       | 1      | 325394533/0  | Poignée                      |          |                      |                    |
| 2       | 1      | 382318229/0  | Levier                       |          |                      |                    |
| 3       | 1      | 382318231/0  | Axe                          |          |                      | To S/N<br>20JA3RON |
| 3       | 1      | 382318231/1  | Ens. Axe de levage de plaque |          | From S/N<br>20JA3RON | 003036             |
| 4       | 1      | 112674700/0  | Vis                          |          |                      |                    |
| 5       | 1      | 125430261/0  | Ressort                      |          |                      |                    |
| 6       | 1      | 112154510/0  | Ecrou                        |          |                      |                    |
| 7       | 2      | 325038006/0  | Douille                      |          |                      |                    |
| 8       | 1      | 325785297/0  | Support                      |          |                      |                    |
| 9       | 2      | 125943009/0  | Vis                          |          |                      |                    |
| 10      | 1      | 325735515/0  | Secteur Direction            |          |                      |                    |
| 11      | 2      | 125943009/0  | Vis                          |          |                      |                    |
| 12      | 1      | 112793701/0  | Vis                          |          |                      |                    |
| 13      | 1      | 125040636/1  | Douille                      |          |                      |                    |
| 14      | 1      | 125601579/0  | Poulie                       |          |                      |                    |
| 15      | 1      | 382004620/0  | Fil                          |          |                      |                    |
| 16      | 1      | 112523060/0  | Rondelle                     |          |                      |                    |
| 17      | 1      | 112293201/0  | Ecrou                        |          |                      |                    |
| 21      | 1      | 382318295/0  | Axe                          |          |                      | To S/N<br>19FA3RON |
| 21      | 1      | 382318295/1  | Axe Soulevement Plateau      |          | From S/N<br>19FA3RON | 000170             |
| 22      | 4      | 112735599/0  | Vis                          |          |                      |                    |
| 23      | 2      | 325547231/0  | Plaquette                    |          |                      | To S/N<br>20JA3RON |
| 23      | 2      | 325547231/1  | Plaquette                    |          | From S/N<br>20JA3RON | 000567             |
| 24      | 1      | 124487997/0  | Goupille                     |          |                      |                    |
| 26      | 2      | 325670010/0  | Rondelle Antifriction        |          |                      |                    |
| 27      | 1      | 125033109/0  | Tige De Connexion            |          |                      |                    |
| 28      | 1      | 325670010/0  | Rondelle Antifriction        |          |                      |                    |
| 29      | 1      | 382318293/0  | Axe                          |          |                      | To S/N<br>19FA3RON |
| 29      | 1      | 382318293/1  | Axe                          |          | From S/N<br>19FA3RON | 000061             |
| 30      | 1      | 124487997/0  | Goupille                     |          |                      |                    |
| 31      | 1      | 325547231/0  | Plaquette                    |          |                      | To S/N<br>20JA3RON |
| 31      | 1      | 325547231/1  | Plaquette                    |          | From S/N<br>20JA3RON | 000566             |
| 32      | 2      | 112735599/0  | Vis                          |          |                      |                    |
| 34      | 3      | 325670008/1  | Rondelle                     |          |                      |                    |
| 35      | 3      | 125510107/1  | Pivot                        |          |                      | To S/N<br>19KA3RON |
| 35      | 3      | 125510170/0  | Pivot                        |          | From S/N<br>19KA3RON | 005043             |
| 36      | 3      | 112156602/0  | Ecrou                        |          |                      |                    |
| 37      | 3      | 112295200/0  | Ecrou                        |          |                      |                    |
| 38      | 1      | 125840012/0  | Tirant                       |          |                      | To S/N<br>20BA3RON |
| 38      | 1      | 125840012/1  | Tirant                       |          | From S/N<br>20BA3RON | 001428             |
| 39      | 3      | 325670008/1  | Rondelle                     |          |                      |                    |
| 41      | 3      | 124487998/0  | Goupille                     |          |                      |                    |
| 43      | 3      | 112156602/0  | Ecrou                        |          |                      |                    |
| 44      | 6      | 112521360/0  | Rondelle                     |          |                      |                    |

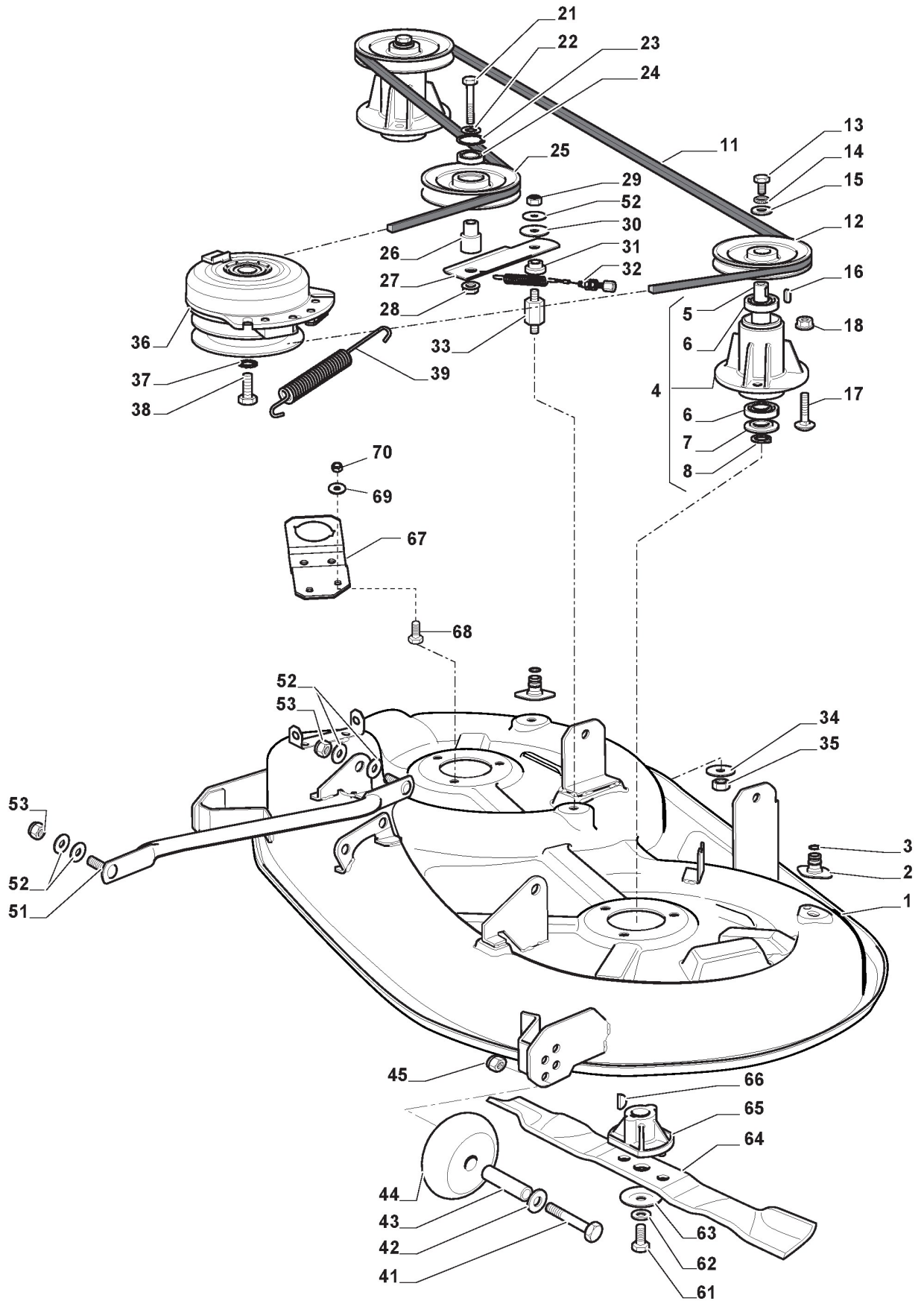
# Plateau De Coupe avec Embrayage Electromagnétique



# Plateau De Coupe avec Embrayage Electromagnétique

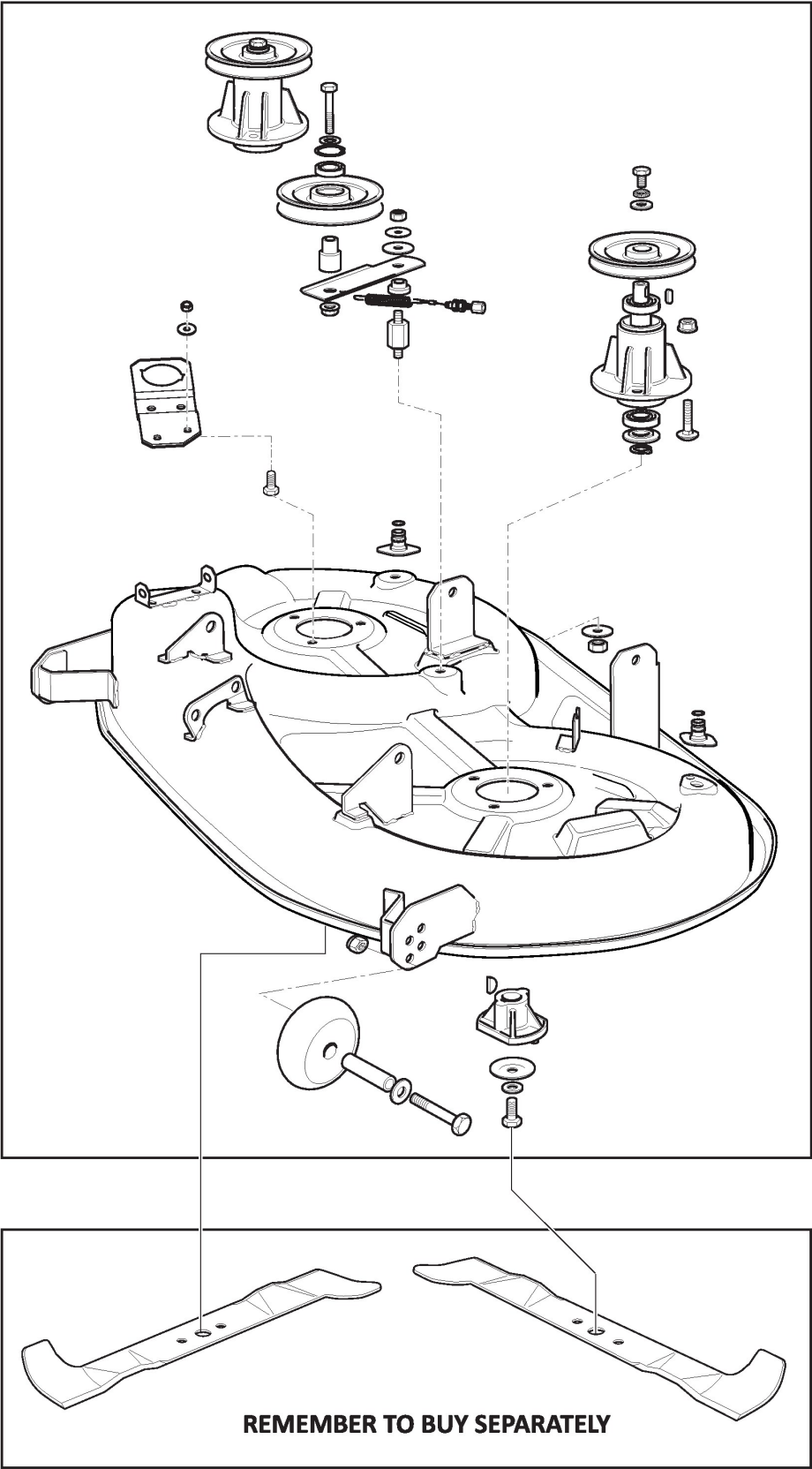
| Réf. N° | Q.té : | Code article | Description           | Articles | De   | Jusqu'à           |
|---------|--------|--------------|-----------------------|----------|------|-------------------|
| 1       | 1      | 382564219/2  | Plateau De Coupe Gris |          |      | To                |
| 1       | 1      | 382564219/3  | Plateau De Coupe Gris |          | From | 31-August-2018    |
| 2       | 2      | 325033086/0  | Raccord Tuyau D'Eau   |          |      |                   |
| 3       | 2      | 119035000/0  | Joint Or              |          |      |                   |
| 4       | 2      | 382207204/1  | Ensamble Bride        |          |      |                   |
| 5       | 2      | 125020804/0  | Arbre                 |          |      |                   |
| 6       | 4      | 119216040/0  | Roulement             |          |      | To                |
| 6       | 4      | 119216047/0  | Roulement             |          | From | 31-August-2018    |
| 7       | 2      | 325160501/0  | Protege-Poussiere     |          |      | To                |
| 7       | 2      | 325160501/1  | Protege-Poussiere     |          | From | 31-Decemb-er-2018 |
| 8       | 2      | 112609260/0  | Seeger                |          |      |                   |
| 11      | 1      | 135061504/0  | Courroie              |          |      |                   |
| 12      | 2      | 125601571/0  | Poulie                |          |      |                   |
| 13      | 2      | 112793102/0  | Vis                   |          |      |                   |
| 14      | 2      | 112540260/0  | Rondelle              |          |      |                   |
| 15      | 2      | 125670007/0  | Rondelle              |          |      |                   |
| 16      | 2      | 112139480/0  | Clavette              |          |      |                   |
| 17      | 6      | 112818700/0  | Vis                   |          |      |                   |
| 18      | 6      | 112154210/0  | Ecrou                 |          |      |                   |
| 21      | 1      | 112691900/0  | Vis                   |          |      |                   |
| 22      | 1      | 112524010/0  | Rondelle              |          |      |                   |
| 23      | 1      | 112610800/0  | Anneau Ressort        |          |      |                   |
| 24      | 1      | 119216048/0  | Roulement             |          |      |                   |
| 25      | 1      | 125601586/0  | Poulie                |          |      | To                |
| 25      | 1      | 125601606/0  | Riemenscheibe         |          | From | 01-January-2017   |
| 26      | 1      | 125160056/0  | Entretoise            |          |      |                   |
| 27      | 1      | 325318232/0  | Levier                |          |      |                   |
| 28      | 1      | 112293201/0  | Ecrou                 |          |      |                   |
| 29      | 1      | 112155020/0  | Ecrou                 |          |      |                   |
| 30      | 1      | 125670022/0  | Rondelle              |          |      |                   |
| 31      | 1      | 125040635/0  | Douille               |          |      |                   |
| 32      | 1      | 382004618/0  | Fil                   |          |      |                   |
| 33      | 1      | 125160086/0  | Entretoise            |          |      |                   |
| 34      | 1      | 112523080/0  | Rondelle              |          |      |                   |
| 35      | 1      | 112156602/0  | Ecrou                 |          |      |                   |
| 36      | 1      | 118399063/0  | Friction              |          |      |                   |
| 37      | 1      | 112543000/0  | Rondelle              |          |      |                   |
| 38      | 1      | 112737320/0  | Vis                   |          |      |                   |
| 39      | 1      | 125430277/0  | Ressort               |          |      |                   |
| 41      | 2      | 112692050/0  | Vis                   |          |      |                   |
| 42      | 2      | 112523060/0  | Rondelle              |          |      |                   |
| 43      | 2      | 125510072/1  | Pivot                 |          |      |                   |
| 44      | 2      | 182700001/0  | Roulettes Antiscalp   |          |      |                   |
| 45      | 2      | 112293201/0  | Ecrou                 |          |      |                   |
| 51      | 2      | 382000565/0  | Tige Balancier        |          |      | To                |
| 51      | 2      | 382000565/1  | Tige Balancier        |          | From | 31-August-2016    |
| 52      | 9      | 325670008/1  | Rondelle              |          |      |                   |
| 53      | 4      | 112156602/0  | Ecrou                 |          |      |                   |

# Plateau De Coupe avec Embrayage Electromagnétique



## Plateau De Coupe avec Embrayage Electromagnétique

| Réf. N° | Q.té : | Code article | Description          | Articles                             | De | Jusqu'à |
|---------|--------|--------------|----------------------|--------------------------------------|----|---------|
| 61      | 2      | 112735694/0  | Vis                  |                                      |    |         |
| 62      | 2      | 112523080/0  | Rondelle             |                                      |    |         |
| 63      | 2      | 122160400/0  | Disque Elastique     |                                      |    |         |
| 64      | 1      | 1134-9225-01 | Lames, Mulching      | Stiga Packed into 182004346/0 (2pcs) |    |         |
| 64      | 2      | 182004346/0  | Lame Gauche Mulching | Mulching                             |    |         |
| 65      | 2      | 1134-9159-01 | Moyeu Lame           | Stiga Packed into 125463200/0        |    |         |
| 65      | 2      | 125463200/0  | Moyeu Lame           |                                      |    |         |
| 66      | 2      | 112139100/0  | Languette            |                                      |    |         |
| 67      | 2      | 325774665/0  | Etrier               |                                      |    |         |
| 68      | 2      | 112793102/0  | Vis                  |                                      |    |         |
| 69      | 2      | 112523060/0  | Rondelle             |                                      |    |         |
| 70      | 2      | 112154210/0  | Ecrou                |                                      |    |         |



# Schneidwerkzeug Set - SD98

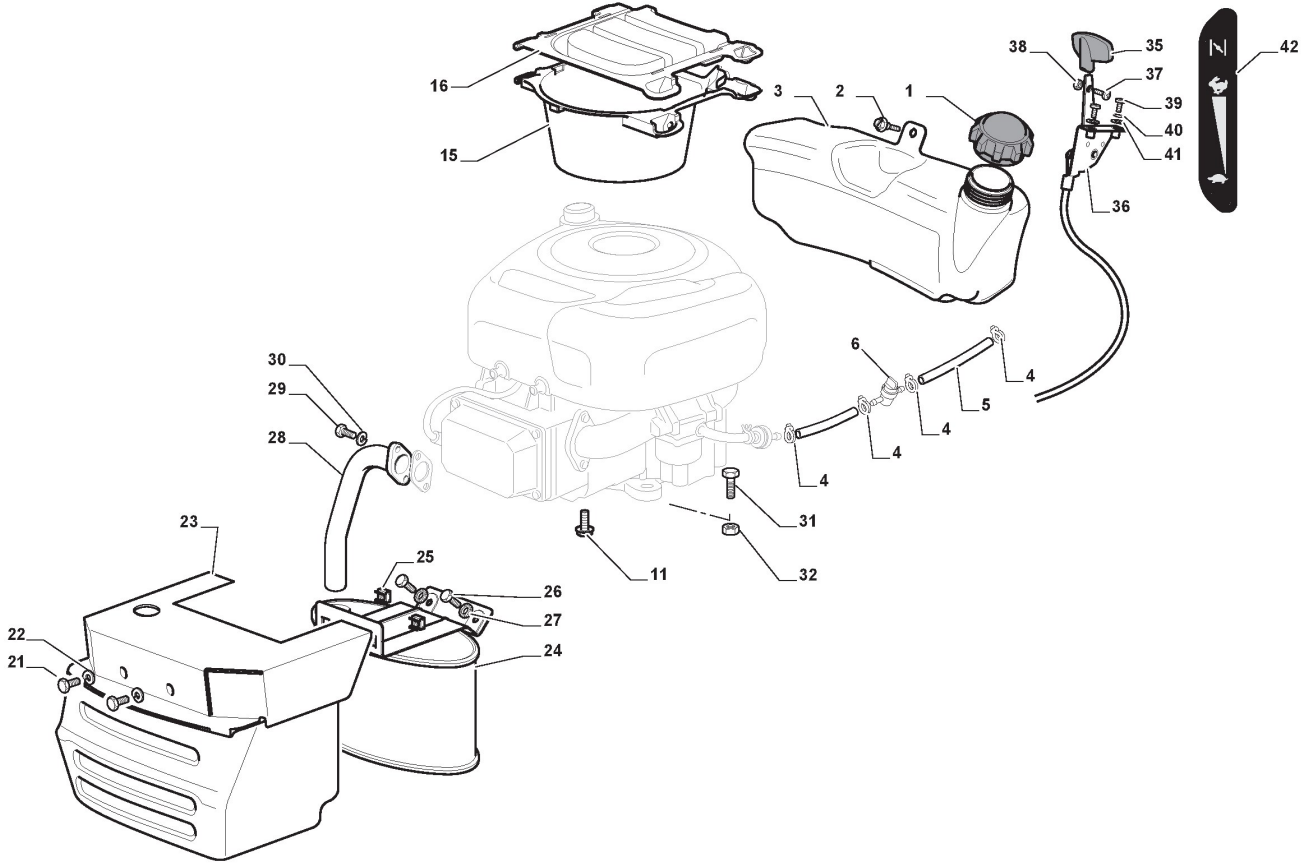
| Réf. N° | Q.té : | Code article | Description                | Articles | De | Jusqu'à |
|---------|--------|--------------|----------------------------|----------|----|---------|
| 1       | 1      | 382565106/0  | Ens. Plateau De Coupe Gris | Grey NCS |    |         |





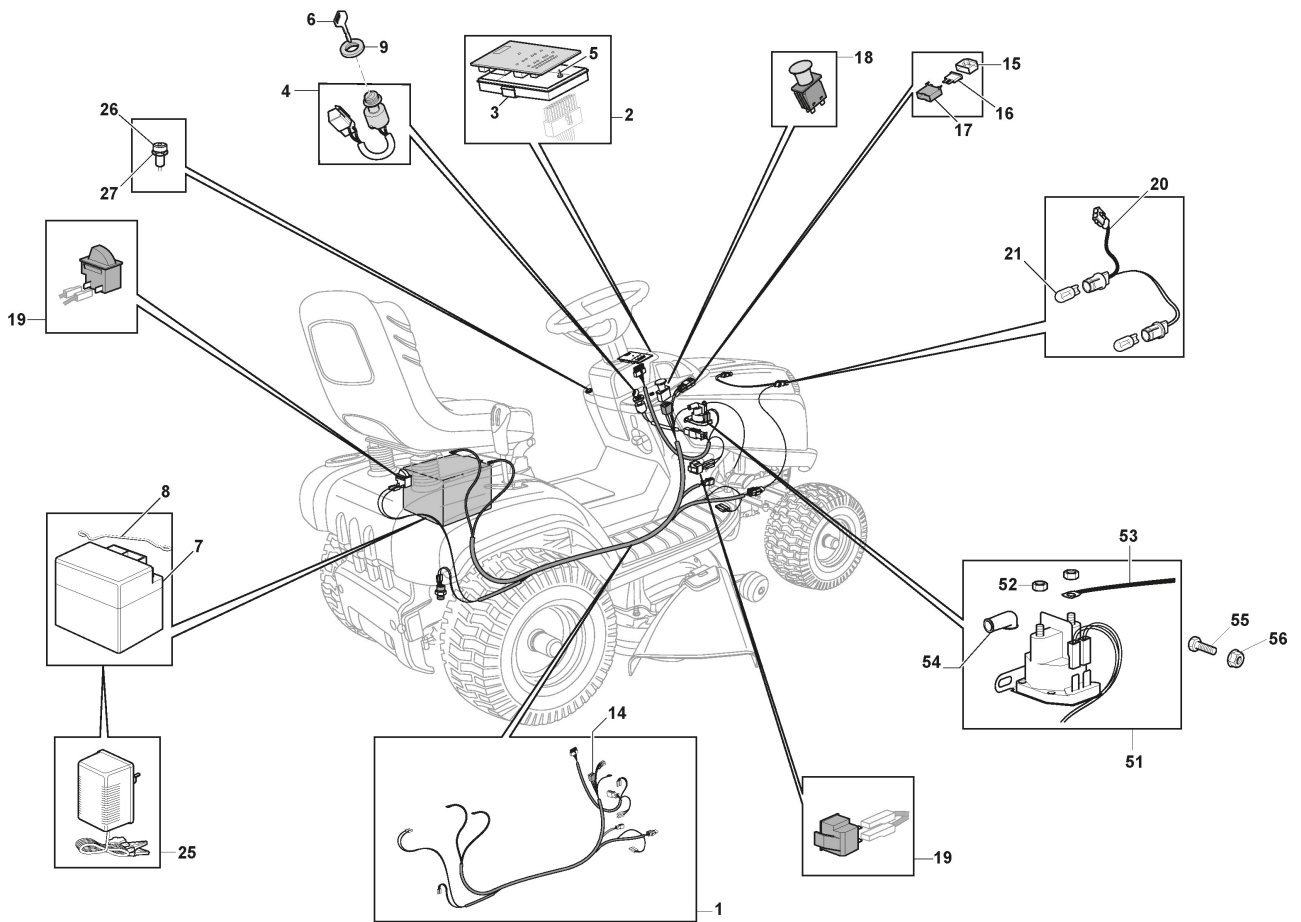
## Protections

| Réf. N° | Q.té : | Code article | Description                       | Articles  | De | Jusqu'à |
|---------|--------|--------------|-----------------------------------|-----------|----|---------|
| 1       | 1      | 325600077/3  | Protection Sortie                 |           |    |         |
| 2       | 1      | 125510073/0  | Pivot                             |           |    |         |
| 3       | 1      | 125430242/1  | Ressort                           |           |    |         |
| 4       | 1      | 112141418/0  | Goupille                          |           |    |         |
| 5       | 1      | 125318355/0  | Pivot                             |           |    |         |
| 6       | 1      | 125430288/0  | Ressort                           |           |    |         |
| 7       | 1      | 325774719/0  | Bride                             |           |    |         |
| 8       | 2      | 112815200/0  | Vis                               |           |    |         |
| 9       | 2      | 112154510/0  | Ecrou                             |           |    |         |
| 10      | 1      | 112604899/0  | Fixateur A Couronne               |           |    |         |
| 11      | 1      | 325600078/0  | Carter Protection Courroie Droit  |           |    |         |
| 12      | 4      | 125943010/0  | Vis                               |           |    |         |
| 13      | 1      | 325600079/0  | Carter Protection Courroie Gauche |           |    |         |
| 15      | 1      | 325600084/0  | Protection                        | only 98cm |    |         |
| 16      | 1      | 325060154/0  | Carter                            |           |    |         |
| 17      | 1      | 325600082/0  | Protection                        |           |    |         |
| 18      | 4      | 125943011/0  | Vis                               |           |    |         |
| 19      | 1      | 325060155/0  | Carter                            |           |    |         |
| 20      | 1      | 325600083/0  | Protection                        |           |    |         |
| 21      | 2      | 127943051/0  | Vis                               |           |    |         |
| 22      | 2      | 112437506/0  | Plaquette                         |           |    |         |



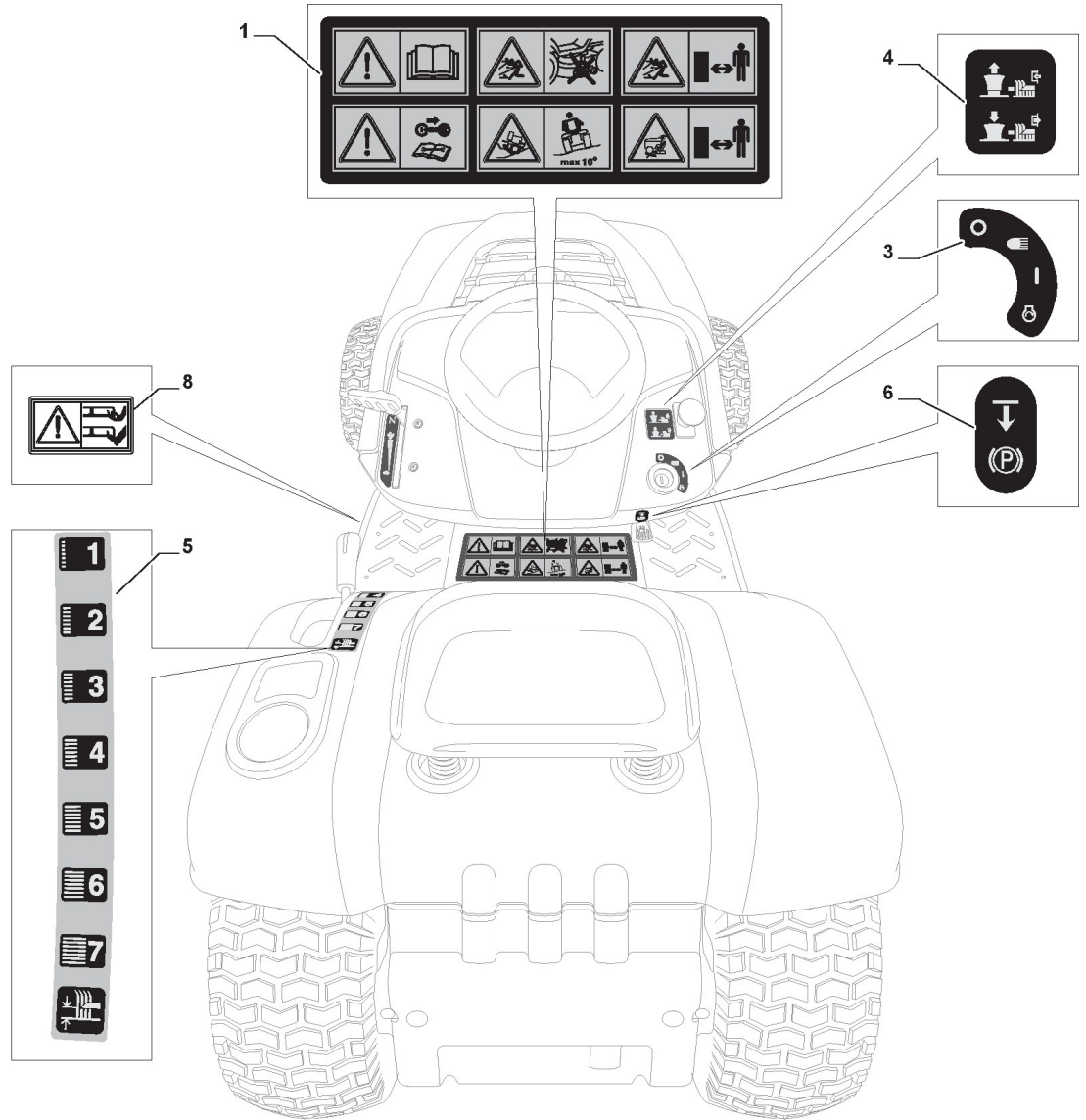
# Moteur - B&S

| Réf. N° | Q.té : | Code article | Description                    | Articles                  | De   | Jusqu'à        |
|---------|--------|--------------|--------------------------------|---------------------------|------|----------------|
| 1       | 1      | 125795001/1  | Bouchon                        |                           |      |                |
| 2       | 4      | 125943010/0  | Vis                            |                           |      |                |
| 3       | 1      | 325735126/0  | Réservoir à carburant          |                           |      | To             |
| 3       | 1      | 325735126/1  | Reservoir                      |                           | From | 31-August-2017 |
| 4       | 4      | 118375051/1  | Fixation De Cable              |                           |      |                |
| 5       | 1      | 325869057/0  | Tube De Connexion              |                           |      |                |
| 6       | 1      | 118562996/0  | Rubinet                        |                           |      |                |
| 11      | 3      | 112735108/1  | Vis                            |                           |      |                |
| 15      | 1      | 325108044/1  | Convoyeur                      | if foreseen in assortment |      |                |
| 16      | 1      | 325263302/1  | Capot avant noir               | if foreseen in assortment |      |                |
| 21      | 2      | 112792611/0  | Vis                            |                           |      |                |
| 22      | 2      | 112540260/0  | Rondelle                       |                           |      |                |
| 23      | 1      | 382598047/0  | Protection Silencieux          |                           |      | To             |
| 23      | 1      | 382598047/1  | Protection Silencieux          |                           | From | 25-May-2019    |
| 24      | 1      | 182750010/0  | Silencieux                     |                           |      |                |
| 25      | 2      | 112360425/0  | Ecrou                          |                           |      |                |
| 26      | 2      | 112792611/0  | Vis                            |                           |      |                |
| 27      | 2      | 112540260/0  | Rondelle                       |                           |      |                |
| 28      | 1      | 118738224/0  | Tuyau de raccord d'échappement |                           |      |                |
| 29      | 2      | 112737450/0  | Vis                            |                           |      |                |
| 30      | 2      | 112540260/0  | Rondelle                       |                           |      |                |
| 31      | 1      | 112735108/1  | Vis                            |                           |      |                |
| 32      | 3      | 112154210/0  | Ecrou                          |                           |      |                |
| 35      | 1      | 325394531/0  | Poignée                        |                           |      |                |
| 36      | 1      | 182000216/0  | Accelérateur                   |                           |      |                |
| 37      | 1      | 112726389/0  | Vis                            |                           |      |                |
| 38      | 1      | 112290800/0  | Ecrou                          |                           |      |                |
| 39      | 2      | 112726389/0  | Vis                            |                           |      |                |
| 40      | 2      | 112540020/0  | Rondelle                       |                           |      |                |
| 41      | 2      | 112521310/0  | Rondelle                       |                           |      |                |
| 42      | 1      | 114363697/0  | Etiquette                      |                           |      |                |



## Parties Electriques

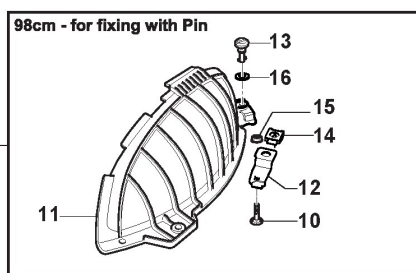
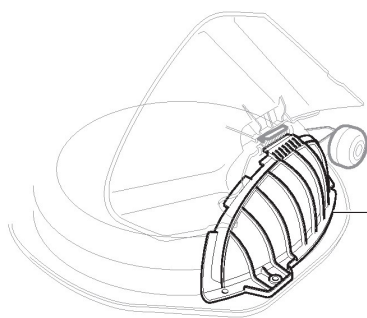
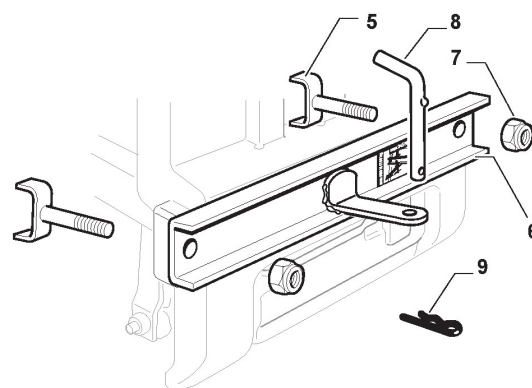
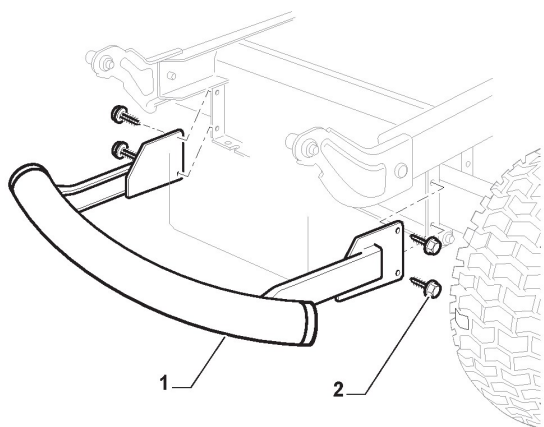
| Réf. N° | Q.té : | Code article | Description                             | Articles                      | De | Jusqu'à |
|---------|--------|--------------|---|-------------------------------|----|---------|
| 1       | 1      | 182040196/1  | Ens. Cablages                           |                               |    |         |
| 2       | 1      | 382722443/1  | Carte Electronique                      | LS marked                     |    |         |
| 3       | 1      | 325600090/1  | Protection De Carte                     |                               |    |         |
| 4       | 1      | 118450075/1  | Interrupteur Demarrage                  |                               |    |         |
| 5       | 1      | 112727810/0  | Vis                                     |                               |    |         |
| 6       | 1      | 118210023/0  | Clef A Demarrage                        |                               |    |         |
| 7       | 1      | 118120007/0  | Batterie                                |                               |    |         |
| 8       | 1      | 125430265/1  | Ressort                                 |                               |    |         |
| 9       | 1      | 118400863/0  | Manchon Expansible                      |                               |    |         |
| 14      | 1      | 133567000/0  | Relais                                  | Only for Honda Engines        |    |         |
| 15      | 2      | 133215000/0  | Couvercle                               |                               |    |         |
| 16      | 1      | 133340036/0  | Fusible 25 A                            | 25A                           |    |         |
| 16      | 1      | 133340040/0  | Fusible 10 A                            | 10A                           |    |         |
| 17      | 2      | 133500007/0  | Tableau De Fusible                      |                               |    |         |
| 18      | 1      | 118450073/0  | Interrupteur Embrajage                  | Yellow                        |    |         |
| 18      | 1      | 118450074/0  | Interrupteur Embrajage                  | Red                           |    |         |
| 19      | 2      | 119410622/1  | Microinterrupteur                       |                               |    |         |
| 20      | 1      | 182040186/0  | Cables                                  | For Lamp Version              |    |         |
| 21      | 2      | 118459100/0  | Ampoule De Phares                       | NOT for models with LED Light |    |         |
| 25      | 1      | 182180090/0  | Chargeur De Batteries 12V 1A - CE Plugg | CE Plug                       |    |         |
| 26      | 1      | 325605003/0  | Bouton D'Entrée Inverse                 |                               |    |         |
| 27      | 1      | 325256250/0  | Embout                                  |                               |    |         |
| 51      | 1      | 118736112/0  | Solenoid                                |                               |    |         |
| 52      | 2      | 112361005/0  | Ecrou                                   |                               |    |         |
| 53      | 1      | 125065002/0  | Cable                                   |                               |    |         |
| 54      | 1      | 118564864/1  | Capuchon                                |                               |    |         |
| 55      | 1      | 112790781/0  | Vis                                     | Not for Honda Engines         |    |         |
| 56      | 2      | 112154510/0  | Ecrou                                   | Not for Honda Engines         |    |         |



# Etiquettes

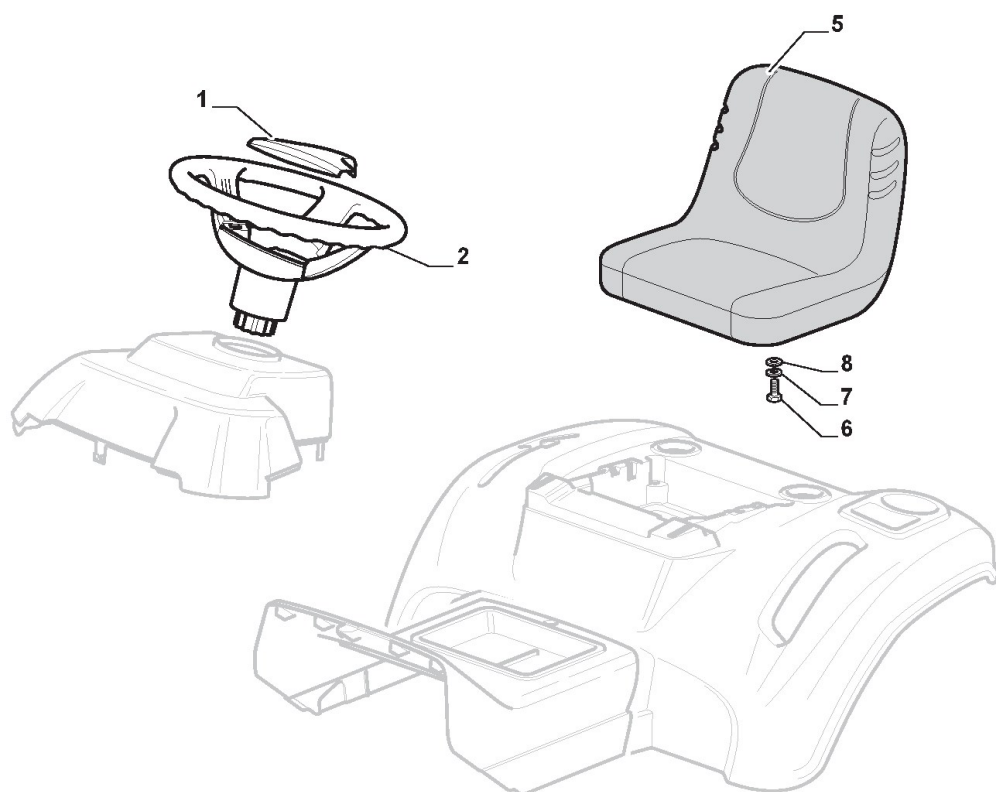
| Réf. N° | Q.té : | Code article | Description                   | Articles                  | De                | Jusqu'à |
|---------|--------|--------------|-------------------------------|---------------------------|-------------------|---------|
| 1       | 1      | 114362365/1  | Etiquette                     |                           |                   |         |
| 3       | 1      | 114363699/0  | Etiquette                     | Only for Models with Lamp |                   |         |
| 4       | 1      | 114361438/0  | Etiquette                     |                           |                   |         |
| 5       | 1      | 114363701/0  | Etiquette                     |                           |                   | To      |
| 5       | 1      | 114366142/0  | Etikett                       |                           | From              |         |
| 6       | 1      | 114363700/0  | Etiquette                     |                           | 01-September-2014 |         |
| 8       | 1      | 114356699/1  | Etiquette De Plaque De Danger |                           |                   |         |





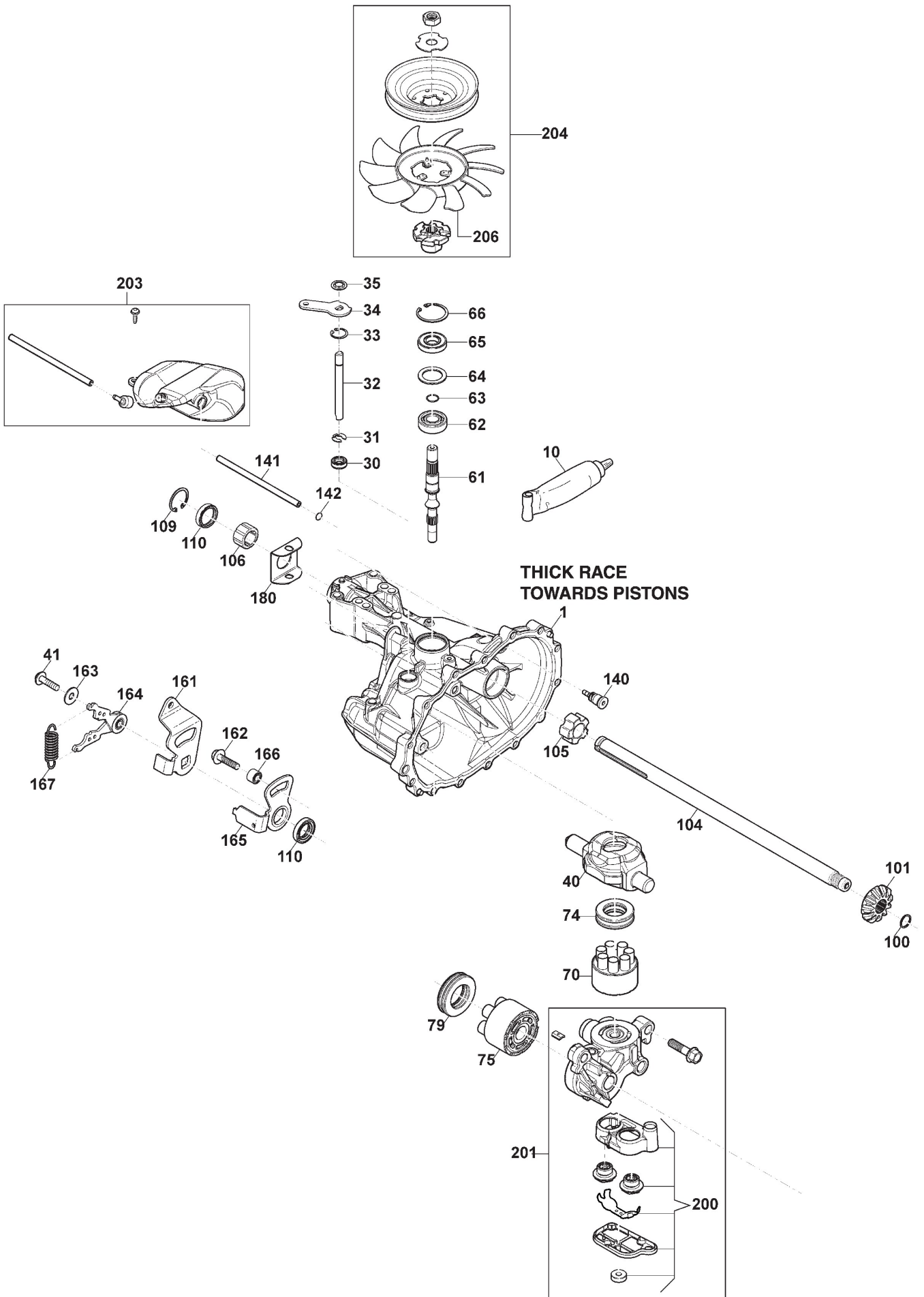
## Accessoires Sur Demande

| Réf. N° | Q.té : | Code article | Description           | Articles | De | Jusqu'à |
|---------|--------|--------------|-----------------------|----------|----|---------|
| 1       | 1      | 382869038/0  | Protection Silencieux |          |    |         |
| 2       | 4      | 112735599/0  | Vis                   |          |    |         |
| 5       | 2      | 382650211/0  | Renforcement          |          |    |         |
| 6       | 1      | 382033111/0  | Tige                  |          |    |         |
| 7       | 2      | 112155000/0  | Ecrou                 |          |    |         |
| 8       | 1      | 125510021/1  | Pivot                 |          |    |         |
| 9       | 1      | 124487999/0  | Goupille              |          |    |         |
| 10      | 2      | 112815205/0  | Vis                   |          |    |         |
| 11      | 1      | 325140105/0  | Deflecteur            |          |    |         |
| 12      | 2      | 325785471/0  | Pivot                 |          |    |         |
| 13      | 2      | 125580040/0  | Bondon                |          |    |         |
| 14      | 2      | 118737221/0  | Plate                 |          |    |         |
| 15      | 2      | 112292102/0  | Ecrou                 |          |    |         |
| 16      | 2      | 112604899/0  | Fixateur A Couronne   |          |    |         |



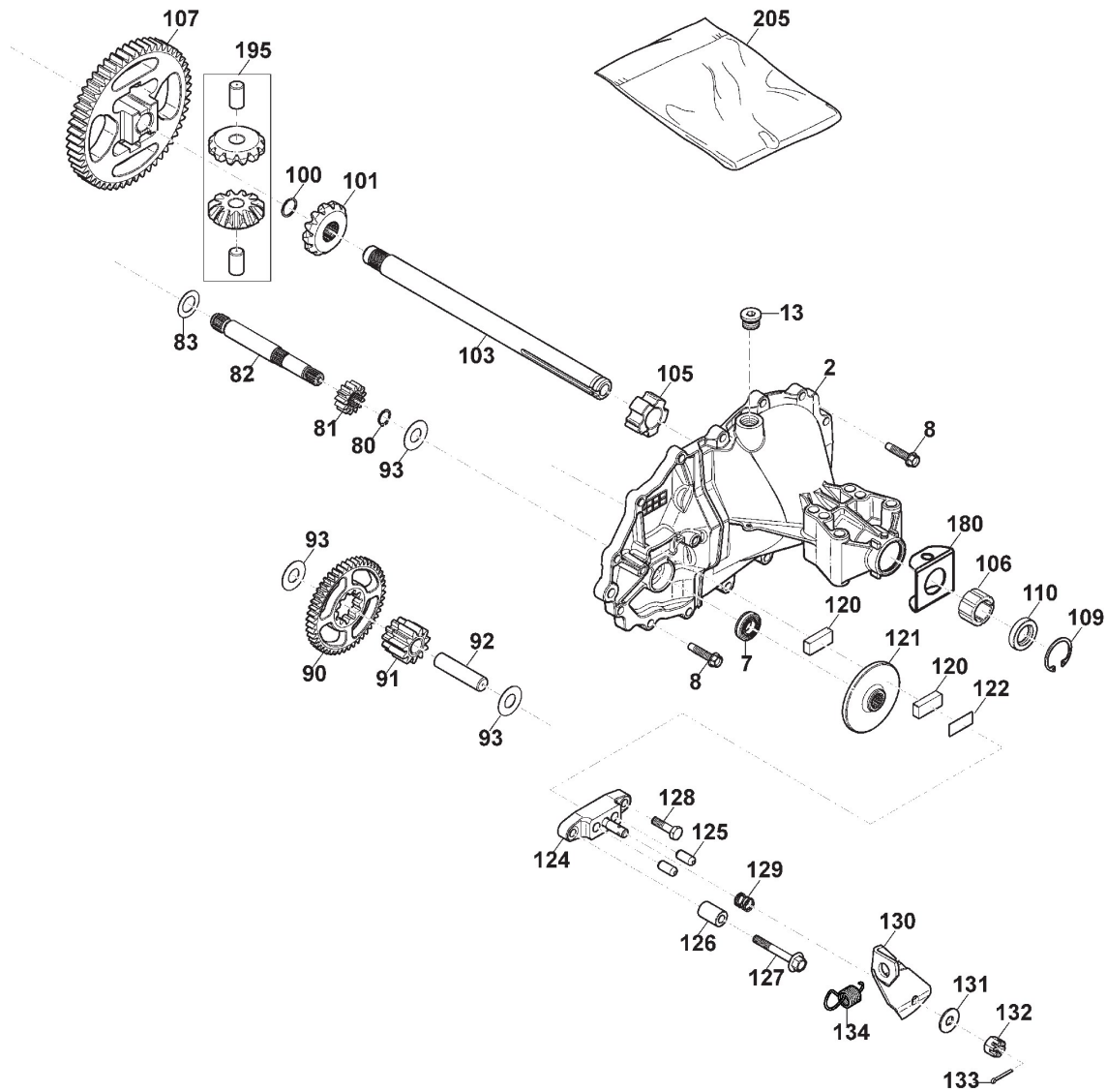
# Siege & Volant

| Réf. N° | Q.té : | Code article | Description   | Articles | De   | Jusqu'à        |
|---------|--------|--------------|---------------|----------|------|----------------|
| 1       | 1      | 325580503/0  | Plaque Volant |          |      |                |
| 2       | 1      | 325961219/0  | Volant        |          |      |                |
| 5       | 1      | 125722463/0  | Siege         |          |      | To             |
| 5       | 1      | 125722483/0  | Siege         |          | From | 31-August-2017 |
| 6       | 4      | 112792611/0  | Vis           |          |      |                |
| 7       | 4      | 112540260/0  | Rondelle      |          |      |                |
| 8       | 4      | 112523060/0  | Rondelle      |          |      |                |



Groupe Transmission, Hydro-Gear T2-ADBF-2X3C-17X1

| Réf. N° | Q.té : | Code article | Description           | Articles | De | Jusqu'à |
|---------|--------|--------------|-----------------------|----------|----|---------|
| 1       | 1      | 118870120/0  | Carter Principal      |          |    |         |
| 10      | 1      | 1139-2022-01 | Sealant               |          |    |         |
| 30      | 1      | 118870079/0  | Garniture             |          |    |         |
| 31      | 1      | 118870081/0  | Anneau Ressort        |          |    |         |
| 32      | 1      | 1139-2203-01 | Tige                  |          |    |         |
| 33      | 1      | 118870080/0  | Anneau Ressort        |          |    |         |
| 34      | 1      | 118870091/0  | Levier                |          |    |         |
| 35      | 1      | 118870082/0  | Anneau Ressort        |          |    |         |
| 40      | 1      | 118870090/0  | Plateau Oscillant     |          |    |         |
| 41      | 1      | 118870083/0  | Vis                   |          |    |         |
| 61      | 1      | 118870092/0  | Arbre                 |          |    |         |
| 62      | 1      | 1139-2001-01 | Roulement À Billes    |          |    |         |
| 63      | 1      | 1139-2003-01 | Wire Retaining Ring   |          |    |         |
| 64      | 1      | 1139-2004-01 | Entretoise            |          |    |         |
| 65      | 1      | 1139-2000-01 | Lip Seal              |          |    |         |
| 66      | 1      | 1139-2002-01 | Anneau Ressort        |          |    |         |
| 70      | 1      | 118870125/0  | Ens. de bloc de pompe |          |    |         |
| 74      | 1      | 118870093/0  | Roulement             |          |    |         |
| 75      | 1      | 1139-2063-01 | Cylinder Block        |          |    |         |
| 79      | 1      | 1139-2021-01 | Thrust Bearing        |          |    |         |
| 100     | 2      | 118870072/0  | Anneau Ressort        |          |    |         |
| 101     | 2      | 118870063/0  | Engrenage             |          |    |         |
| 104     | 1      | 118870113/0  | Arbre                 |          |    |         |
| 105     | 2      | 118870086/0  | Douille               |          |    |         |
| 106     | 2      | 118870085/0  | Douille               |          |    |         |
| 109     | 2      | 118870084/0  | Anneau Ressort        |          |    |         |
| 110     | 3      | 1139-2204-01 | Arbre                 |          |    |         |
| 140     | 1      | 1139-2038-01 | Fitting               |          |    |         |
| 141     | 1      | 118870102/0  | Tube                  |          |    |         |
| 142     | 1      | 1139-2075-01 | O-Ring                |          |    |         |
| 161     | 1      | 118870103/0  | Levier                |          |    |         |
| 162     | 1      | 1139-2026-01 | Boulon                |          |    |         |
| 163     | 1      | 1139-2011-01 | Rondelle              |          |    |         |
| 164     | 1      | 118870107/0  | Ens. Levier           |          |    |         |
| 165     | 1      | 118870108/0  | Levier                |          |    |         |
| 166     | 1      | 118870104/0  | Douille               |          |    |         |
| 167     | 1      | 118870089/0  | Ressort               |          |    |         |
| 180     | 2      | 118870112/0  | Plaquette             |          |    |         |
| 200     | 1      | 118870123/0  | Kit-Filtre            |          |    |         |
| 201     | 1      | 118870127/0  | Kit-Section centre    |          |    |         |
| 203     | 1      | 118870122/0  | Kit-Vase d'expansion  |          |    |         |
| 204     | 1      | 118802723/0  | Fan Kit               |          |    |         |
| 206     | 1      | 118870130/0  | Ventilateur           |          |    |         |



Groupe Transmission, Hydro-Gear T2-ADBF-2X3C-17X1

| Réf. N° | Q.té : | Code article | Description             | Articles | De | Jusqu'à |
|---------|--------|--------------|-------------------------|----------|----|---------|
| 2       | 1      | 118870121/0  | Carter Latérale         |          |    |         |
| 7       | 1      | 118870111/0  | Garniture               |          |    |         |
| 8       | 14     | 1139-2042-01 | Vis                     |          |    |         |
| 13      | 1      | 1139-2010-01 | Plug                    |          |    |         |
| 80      | 1      | 118870070/0  | Anneau Ressort          |          |    |         |
| 81      | 1      | 118870094/0  | Engrenage               |          |    |         |
| 82      | 1      | 118870095/0  | Arbre                   |          |    |         |
| 83      | 1      | 118870096/0  | Rondelle                |          |    |         |
| 90      | 1      | 118870097/0  | Engrenage               |          |    |         |
| 91      | 1      | 118870098/0  | Engrenage               |          |    |         |
| 92      | 1      | 118870099/0  | Pivot                   |          |    |         |
| 93      | 3      | 1139-2016-01 | Rondelle                |          |    |         |
| 103     | 1      | 118870114/0  | Arbre                   |          |    |         |
| 107     | 1      | 118870100/0  | Engrenage               |          |    |         |
| 120     | 2      | 118870066/0  | Tapis de frein          |          |    |         |
| 121     | 1      | 118870101/0  | Frein                   |          |    |         |
| 122     | 1      | 118870067/0  | Support, Tapis de frein |          |    |         |
| 124     | 1      | 118870119/0  | Etrier de Frein         |          |    |         |
| 125     | 2      | 118870069/0  | Pivot                   |          |    |         |
| 126     | 1      | 118870062/0  | Entretoise              |          |    |         |
| 127     | 1      | 118870077/0  | Vis                     |          |    |         |
| 128     | 1      | 118870071/0  | Boulon                  |          |    |         |
| 129     | 1      | 118870076/0  | Ressort                 |          |    |         |
| 130     | 1      | 118870088/0  | Levier De Frein         |          |    |         |
| 131     | 1      | 1139-2011-01 | Rondelle                |          |    |         |
| 132     | 1      | 118870068/0  | Ecrou                   |          |    |         |
| 133     | 1      | 118870065/0  | Pivot                   |          |    |         |
| 134     | 1      | 118870078/0  | Ressort                 |          |    |         |
| 195     | 1      | 118870126/0  | Kit-Engrenage + Pivot   |          |    |         |
| 205     | 1      | 118870124/0  | Kit-Garniture           |          |    |         |