



ROQUES et LECŒUR



A partir de 2019

**DÉBROUSSAILLEUSE
AUTOPORTÉE**

RL1092BS

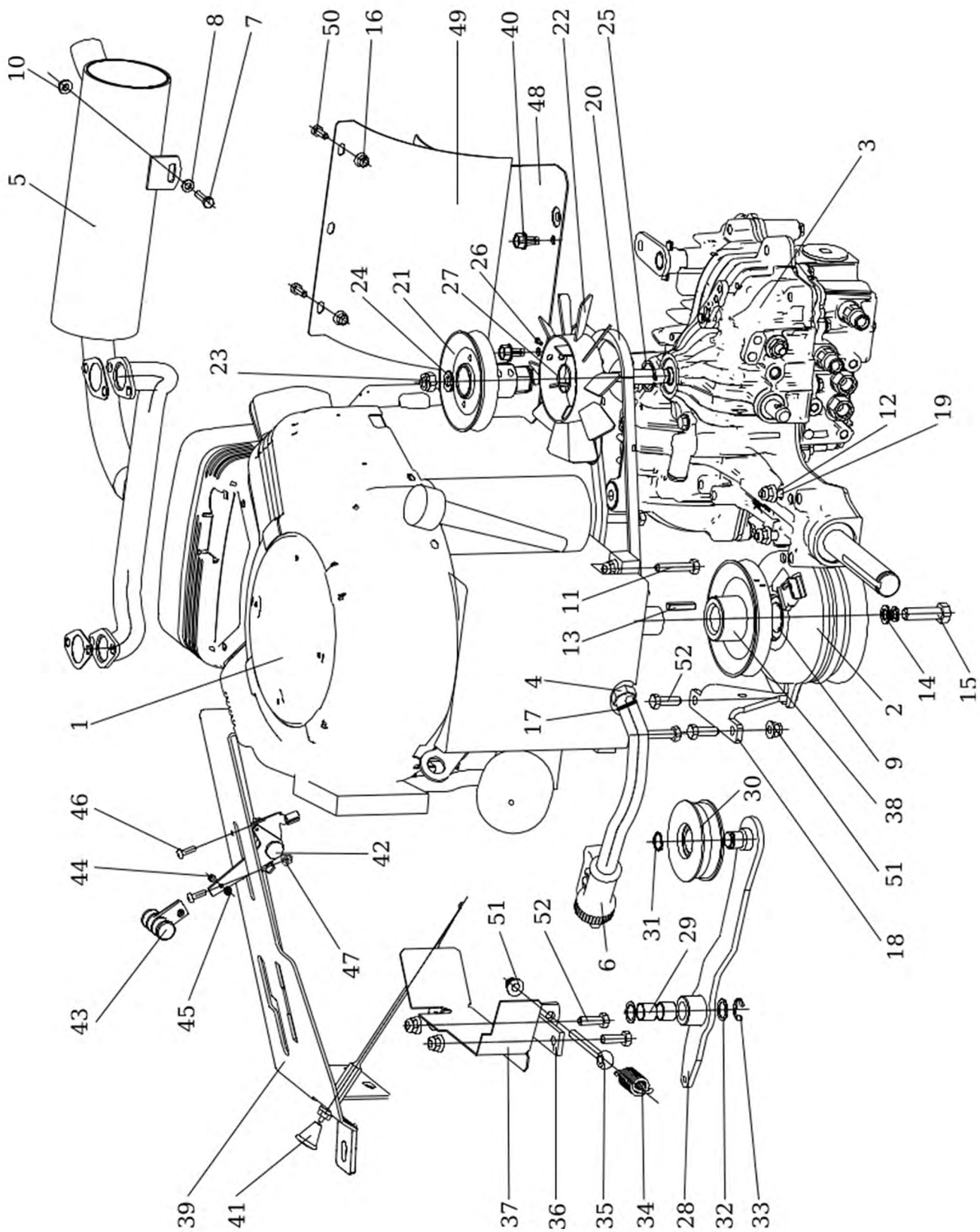
**Carter 92 cm
2 roues motrices**

**CODE : KSC2A-19-0002
CODE R&L : 4400040102**

Page 1 à 31

**MOTEUR BRIGGS & STRATTON
SERIES 7220 - 22HP - OHV - V-TWIN**

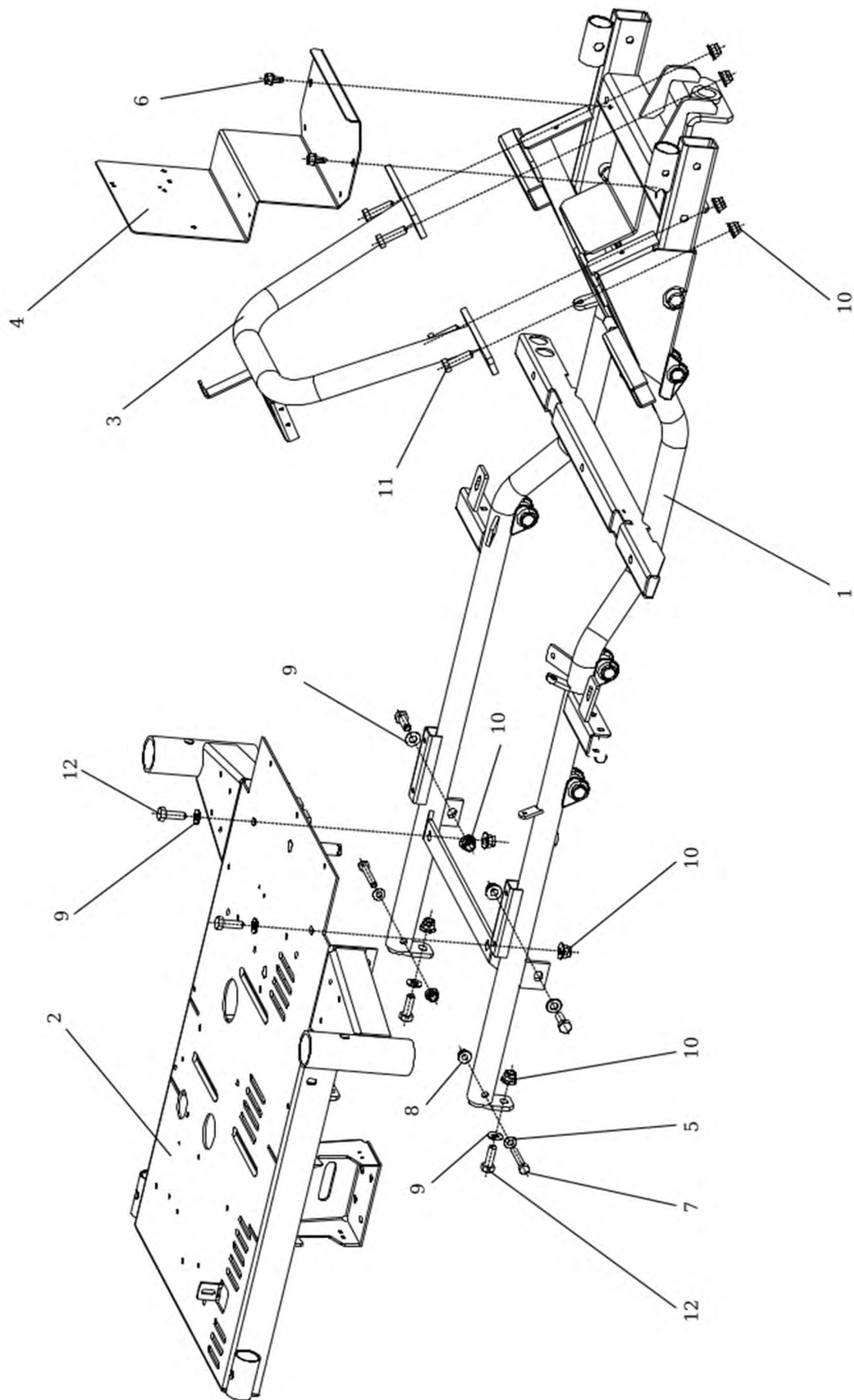
SABRE FRANCE



DEBROUSSAILLEUSE AUTOPORTEE ROQUES & LECŒUR RL1092BS 2019
(MOTEUR B & S PROFESSIONNAL SERIES 7220 - 22 HP - OHV - BI-CYLINDRE)

MOTEUR

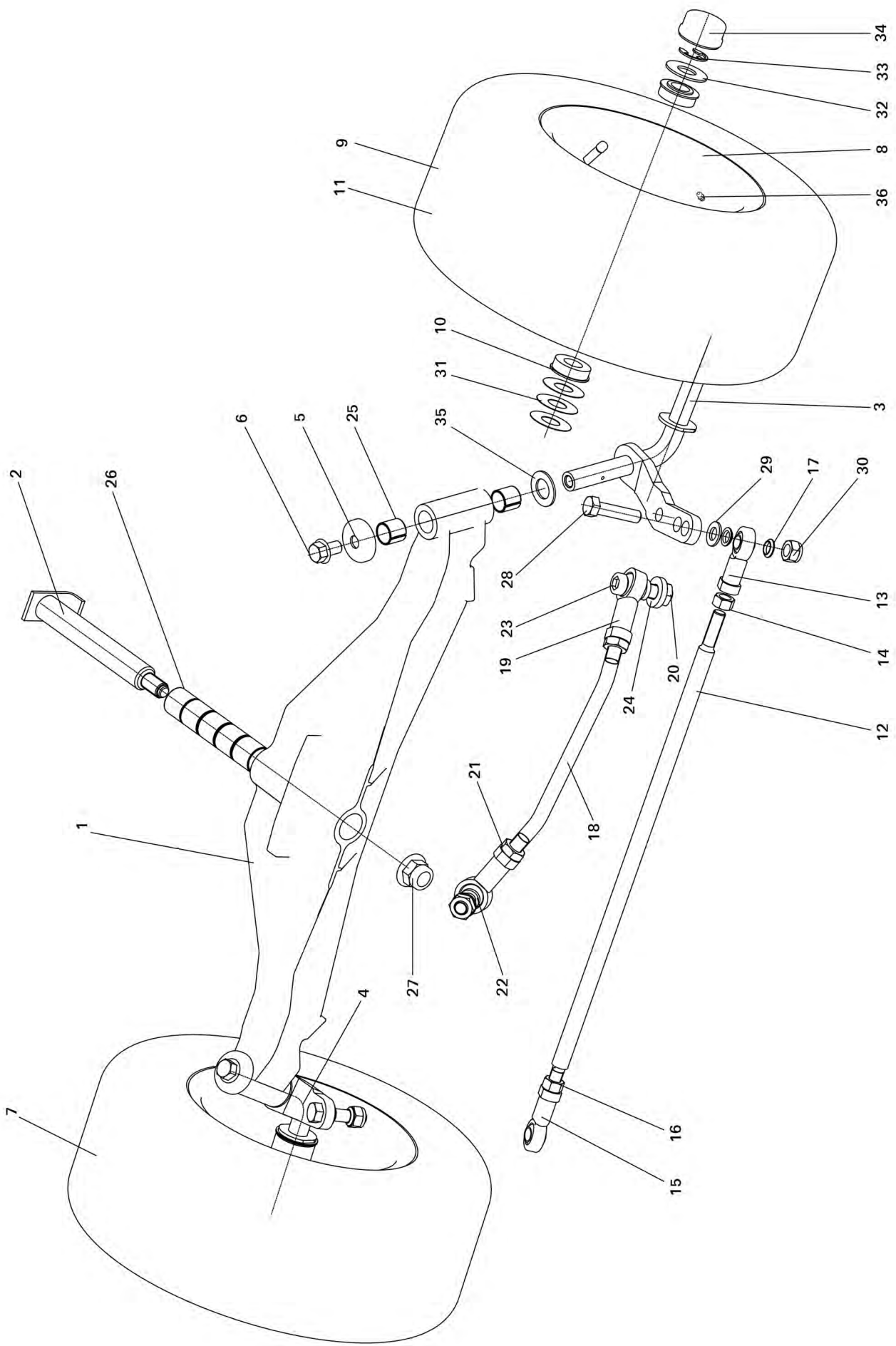
| N° | REFERENCES | DESIGNATIONS | Qté |
|----|---------------|--|-----|
| 1 | N482349034 | MOTEUR B&S PROFESSIONNAL SERIES 7220 RL1092BS | 1 |
| 2 | N339242008 | EMBAYAGE ELECTROMAGNETIQUE RL1092BS | 1 |
| 3 | N532991053 | TRANSMISSION TUFF TORQ K62 Q RL1092BS | 1 |
| 4 | N532151254 | REDUCTEUR POUR TUYAU DE VIDANGE RL1092BS | 1 |
| 5 | S532927472033 | POT D'ECHAPPEMENT MOTEUR B&S RL1092 | 1 |
| 6 | N532151253 | TUYAU DE VIDANGE AVEC EMBOUT RAPIDE RL1092BS | 1 |
| 7 | N309503551 | VIS M6X25 DE POT RL1092BS | 1 |
| 8 | N311210502 | RONDELLE 6.4 DE POT RL1092BS | 1 |
| 9 | S532092208583 | ENTRETOISE D'EMBAYAGE RL1092BS | 1 |
| 10 | N311129517 | ECROU M6 DENTE DE POT RL1092BS | 1 |
| 11 | N309503544 | VIS M8X40 DE MOTEUR RL1092BS | 4 |
| 12 | N311210503 | RONDELLE 8.4 DE TRANSMISSION RL1092BS | 4 |
| 13 | N311726101 | CLAVETTE DE POULIE MOTEUR RL1092BS | 1 |
| 14 | N311219516 | RONDELLE NL 11 D'EMBAYAGE RL1092BS | 1 |
| 15 | N309579506 | VIS 7/16 X 2 3/4 Unf Zinc D'EMBAYAGE RL1092BS | 1 |
| 16 | N311129525 | ECROU FREIN M6 DE PROTEGE POT RL1092BS | 2 |
| 17 | N548241028 | CLIP DE TUYAU DE VIDANGE RL1092BS | 1 |
| 18 | S532013409173 | BUTEE D'EMBAYAGE RL1092BS | 1 |
| 19 | N309501571 | VIS M8X80 DE TRANSMISSION RL1092BS | 4 |
| 20 | N272731214 | COURROIE DE TRANSMISSION 13X830 LP RL1092BS | 1 |
| 21 | N532151412 | POULIE DE TRANSMISSION RL1092BS | 1 |
| 22 | N532150376 | VENTILATEUR DE TRANSMISSION RL1092BS | 1 |
| 23 | N311129502 | ECROU FREIN M10 DE POULIE DE TRANSMISSION RL1092BS | 1 |
| 24 | N311210504 | RONDELLE 10.5 DE POULIE DE TRANSMISSION RL1092BS | 1 |
| 25 | N311733016 | CIRCLIPS EXT.28 D'ARBRE DE BOITE RL1092BS | 1 |
| 26 | N309503575 | VIS M6X20 DE VENTILATEUR RL1092BS | 2 |
| 27 | N273111060 | BAGUE 28X1.5 DE VENTILATEUR RL1092BS | 1 |
| 28 | S532913462123 | LEVIER TENDEUR DE POULIE RL1092BS | 1 |
| 29 | N323721004 | ENTRETOISE TEFLON DE LEVIER RL1092BS | 2 |
| 30 | N000532003 | POULIE METALIQUE AVEC ROULEMENT RL1092BS | 1 |
| 31 | N311733007 | CIRCLIPS EXT.17 DE POULIE RL1092BS | 1 |
| 32 | N311219496 | RONDELLE 16X22X1 DE LEVIER RL1092BS | 2 |
| 33 | N311732009 | CIRCLIPS E-12 DE LEVIER RL1092BS | 1 |
| 34 | N315231230 | RESSORT DE LEVIER TENDEUR RL1092BS | 1 |
| 35 | N309599025 | VIS SUPPORT RESSORT RL1092BS | 1 |
| 36 | S532113404613 | SUPPORT DE VIS DE RESSORT RL1092BS | 1 |
| 37 | S532085427063 | DEFLECTEUR D'ECHAPPEMENT RL1092BS | 1 |
| 38 | N532150439 | POULIE MOTEUR RL1092BS | 1 |
| 39 | S532013422053 | TABEAU DE COMMANDE RL1092BS | 1 |
| 40 | N309578520 | VIS M8X16 RL1092BS | 4 |
| 42 | N443900103 | LEVIER + CABLE DE GAZ RL1092BS | 1 |
| 43 | N443900138 | EMBOUT DE LEVIER DE GAZ RL1092BS | 1 |
| 44 | N309231535 | VIS M4X14 D'EMBOUT DE LEVIER RL1092BS | 1 |
| 45 | N311129514 | ECROU M4 D'EMBOUT DE LEVIER RL1092BS | 1 |
| 46 | N309578532 | VIS M5X16 DE LEVIER DE GAZ RL1092BS | 2 |
| 47 | N311129524 | ECROU M5 DE LEVIER DE GAZ RL1092BS | 2 |
| 48 | S532085412033 | DEFLECTEUR DE POT RL1092BS | 1 |
| 49 | S532085415653 | DEFLECTEUR DE POT RL1092BS | 1 |
| 50 | N309503508 | VIS M6X16 DE DEFLECTEUR RL1092BS | 2 |
| 51 | N532150290 | ECROU M8 DIN 6926 8 Zinc RL1092BS | 13 |
| 52 | N309503512 | VIS M8X25 RL1092BS | 4 |



DEBROUSSAILLEUSE AUTOPORTEE ROQUES & LECŒUR RL1092BS 2019
(MOTEUR B & S PROFESSIONNAL SERIES 7220 - 22 HP - OHV - BI-CYLINDRE)

CHÂSSIS

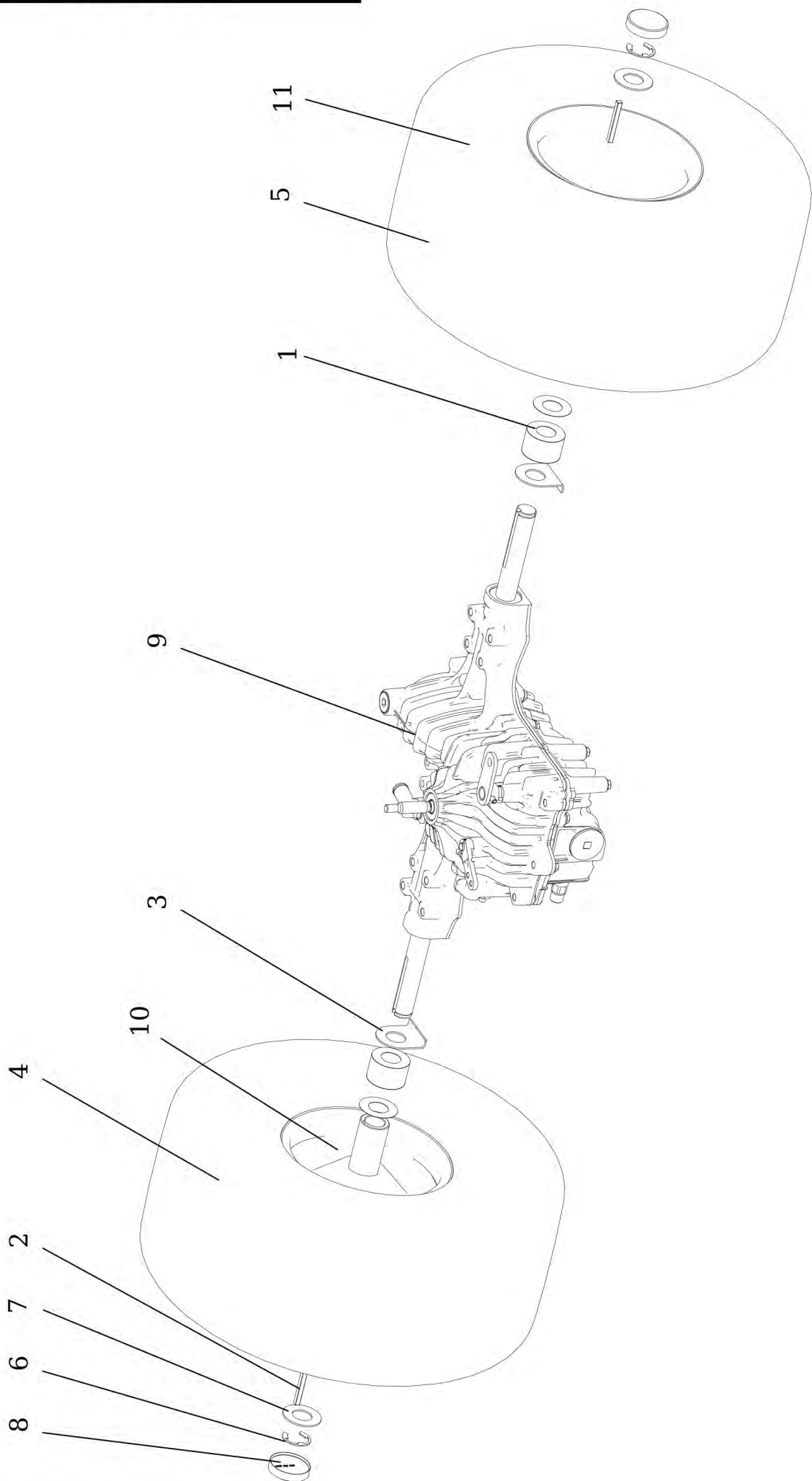
| N° | REFERENCES | DESIGNATIONS | Qté |
|----|---------------|---|-----|
| 1 | S532912472013 | CHÂSSIS TUBULAIRE RL1092BS | 1 |
| 2 | S532927962163 | SUPPORT MOTEUR ET TRANSMISSION RL1092BS | 1 |
| 3 | S532915462333 | SUPPORT COLONNE DE DIRECTION RL1092BS | 1 |
| 4 | S532013422143 | SUPPORT DE BATTERIE RL1092BS | 1 |
| 5 | N311210503 | RONDELLE 8.4 DE CHÂSSIS RL1092BS | 2 |
| 6 | N309578520 | VIS M8x16 DE SUPPORT BATTERIE RL1092BS | 2 |
| 7 | N309201519 | VIS M8X55 DE CHÂSSIS RL1092BS | 2 |
| 8 | N532150290 | ECROU M8 DIN 6926 8 Zinc RL1092BS | 2 |
| 9 | N311210504 | RONDELLE 10.5 RL1092BS | 6 |
| 10 | N311129523 | ECROU M10 DIN 6926 Zinc RL1092BS | 10 |
| 11 | N309503523 | VIS M10X35 DE SUPPORT COLONNE RL1092BS | 4 |
| 12 | N309503510 | VIS M10X30 RL1092BS | 6 |



DEBROUSSAILLEUSE AUTOPORTEE ROQUES & LECŒUR RL1092BS 2019
(MOTEUR B & S PROFESSIONNAL SERIES 7220 - 22 HP - OHV - BI-CYLINDRE)

ESSIEU AVANT

| N° | REFERENCES | DESIGNATIONS | Qté |
|----|---------------|---|-----|
| 1 | S532016542043 | ESSIEU AVANT RL1092BS | 1 |
| 2 | S532993122783 | AXE D'ESSIEU AVANT RL1092BS | 1 |
| 3 | S532993462393 | FUSEE AVANT DROITE RL1092BS | 1 |
| 4 | S532993462403 | FUSEE AVANT GAUCHE RL1092BS | 1 |
| 5 | S532039472153 | COUVERCLE DE FUSEE RL1092BS | 2 |
| 6 | N309578530 | VIS M12X20 DE FUSEE RL1092BS | 2 |
| 7 | N532940173 | ROUE AVANT GAUCHE C.16x6.50-8 RL1092BS | 1 |
| 8 | N325111024 | JANTE DE ROUE AVANT 5.50AX8H2 RL1092BS | 2 |
| 9 | N274161016 | PNEU AVANT 16X6.50-8 CROSS RL1092BS | 2 |
| 10 | N324196019 | ROULEMENT 3/4 DE ROUE AVANT RL1092BS | 4 |
| 11 | N532940174 | ROUE AVANT DROITEE C.16x6.50-8 RL1092BS | 1 |
| 12 | N532980147 | TIGE DE CONNEXION DE FUSEE RL1092BS | 1 |
| 13 | N442073028 | ROTULE DROITE PHS 12 CN RL1092BS | 1 |
| 14 | N311150503 | CONTRE-ECROU DE ROTULE DROITE RL1092BS | 1 |
| 15 | N442073029 | ROTULE GAUCHEE PHS 12 CN RL1092BS | 1 |
| 16 | N311150516 | CONTRE-ECROU DE ROTULE GAUCHEE RL1092BS | 1 |
| 17 | S532095202033 | ENTRETOISE DE ROTULE RL1092BS | 4 |
| 18 | S532080102033 | BARRE D'ACCOUPLLEMENT RL1092BS | 1 |
| 19 | N442073031 | ROTULE DE BARRE PHS 14 RL1092BS | 2 |
| 20 | N311129529 | ECROU M14 DE VIS DE ROTULE RL1092BS | 2 |
| 21 | N311120542 | CONTRE-ECROU M14 DE BARRE RL1092BS | 2 |
| 22 | N311219517 | RONDELLE NL14 DE VIS DE ROTULE RL1092BS | 2 |
| 23 | S532190161013 | VIS M14 DE ROTULE RL1092BS | 2 |
| 24 | S532095209013 | ENTRETOISE DE ROTULE RL1092BS | 2 |
| 25 | N323721002 | BAGUE DE PALIER RL1092BS | 4 |
| 26 | N323721015 | DOUILLE D'AXE D'ESSIEU AVANT RL1092BS | 5 |
| 27 | N311129527 | ECROU M16 D'AXE D'ESSIEU RL1092BS | 1 |
| 28 | N309543523 | VIS DE ROTULE DE TIGE RL1092BS | 2 |
| 29 | N311210505 | RONDELLE 13 DE ROTULE RL1092BS | 2 |
| 30 | N311129505 | ECROU M12 DE ROTULE RL1092BS | 2 |
| 31 | S532092208153 | RONDELLE DE FUSEE COTE ROUE RL1092BS | 6 |
| 32 | S532092208363 | RONDELLE DE ROUE RL1092BS | 2 |
| 33 | N311732023 | CLIPS E-75 3/4 DE ROUE RL1092BS | 2 |
| 34 | N532150915 | CAPUCHON DE ROUE AVANT RL1092BS | 2 |
| 35 | S532092207953 | RONDELLE DE FUSEE RL1092BS | 2 |
| 36 | N425111004 | GRAISSEUR MK 6x1 RL1092BS | 2 |



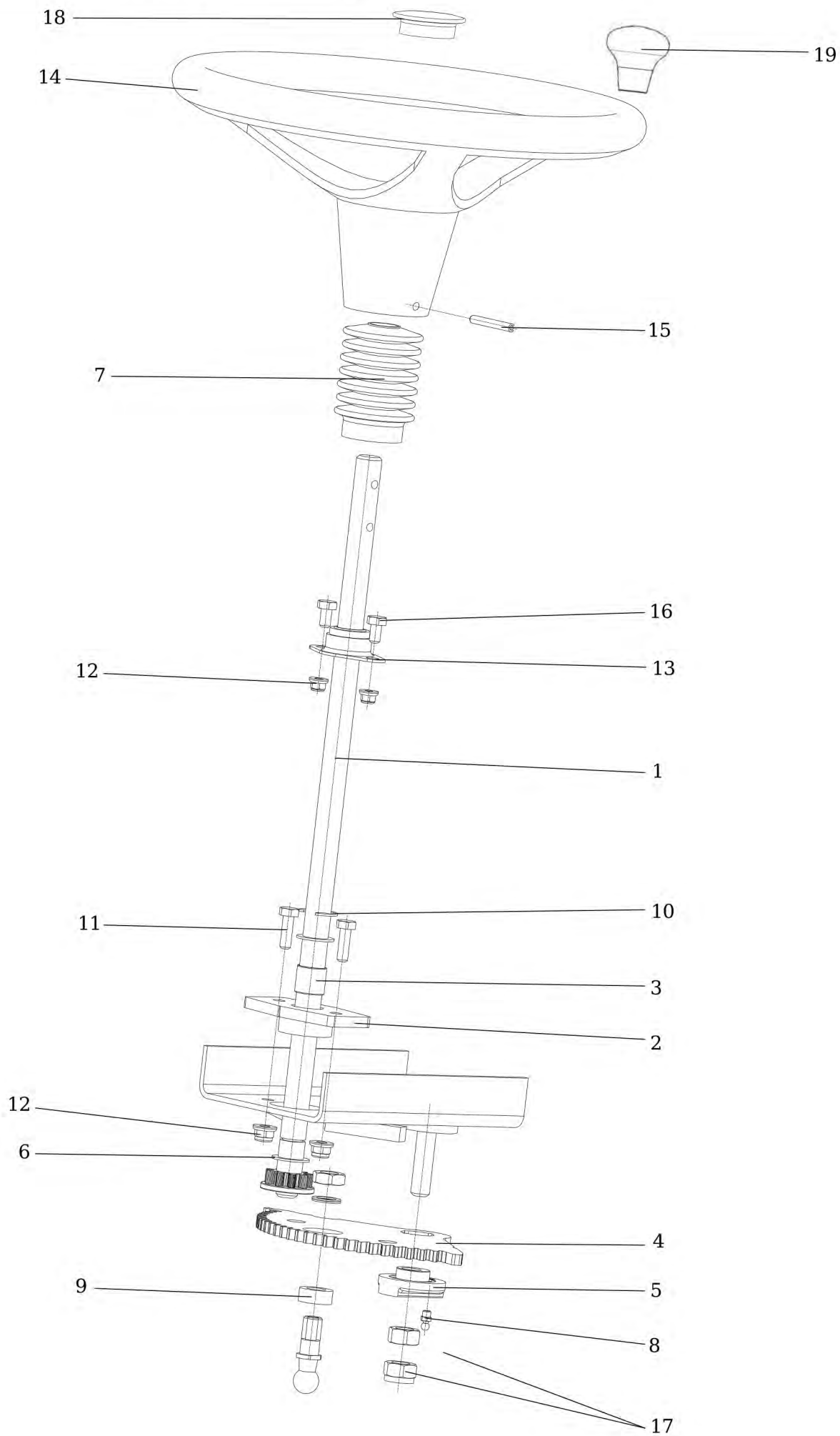
DEBROUSSAILLEUSE AUTOPORTEE ROQUES & LECŒUR RL1092BS 2019

(MOTEUR B & S PROFESSIONNAL SERIES 7220 - 22 HP - OHV - BI-CYLINDRE)

ESSIEU ARRIERE

| N° | REFERENCES | DESIGNATIONS | Qté |
|----|---------------|--|-----|
| 1 | S532195203703 | ENTRETOISE DE ROUE ARRIERE RL1092BS | 2 |
| 2 | S532092312243 | CLAVETTE DE ROUE ARRIERE RL1092BS | 2 |
| 3 | S532092208553 | RONDELLE SPECIALE COTE TRANSMISSION RL1092BS | 2 |
| 4 | N532940176 | ROUE ARRIERE DROITE C. 20x10.00-8 RL1092BS | 1 |
| 5 | N532940175 | ROUE ARRIERE GAUCHE C. 20x10.00-8 RL1092BS | 1 |
| 6 | N311732024 | CIRCLIPS SE-98 1 DE ROUE RL1092BS | 2 |
| 7 | S532092208083 | RONDELLE DE ROUE ARRIERE RL1092BS | 4 |
| 8 | N532151655 | CAPUCHON DE ROUE ARRIERE 49x25 RL1092BS | 2 |
| 9 | N532991053 | TRANSMISSION TUFF TORQ® K62 Q RL1092BS | 1 |
| 10 | N325111028 | JANTE DE ROUE ARRIERE 7.00IX8H2 RL1092BS | 2 |
| 11 | N274161015 | PNEU DE ROUE ARRIERE 20X10.00-8 CROSS RL1092BS | 2 |

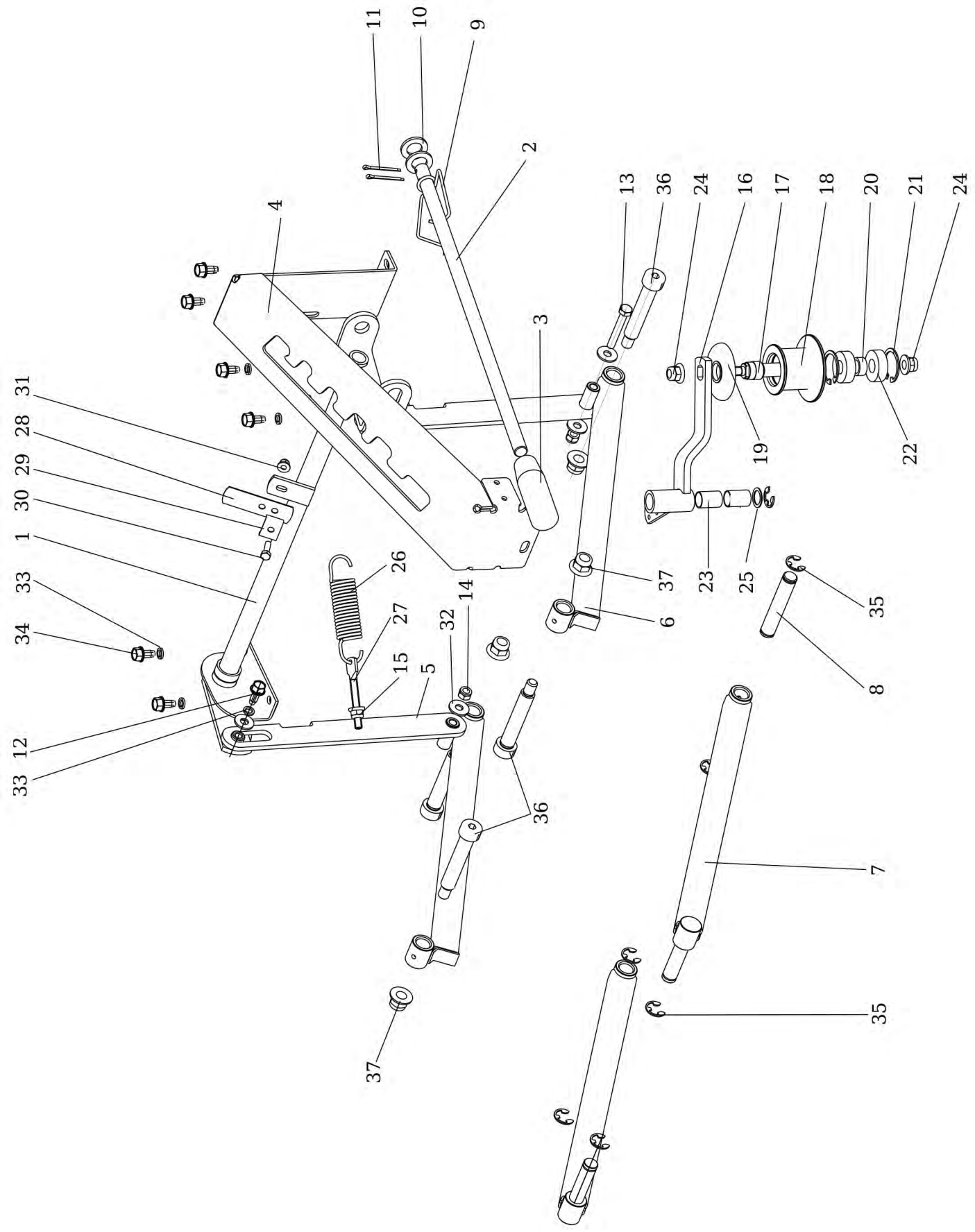
RL1092BS



DEBROUSSAILLEUSE AUTOPORTEE ROQUES & LECŒUR RL1092BS 2019
(MOTEUR B & S PROFESSIONNAL SERIES 7220 - 22 HP - OHV - BI-CYLINDRE)

DIRECTION

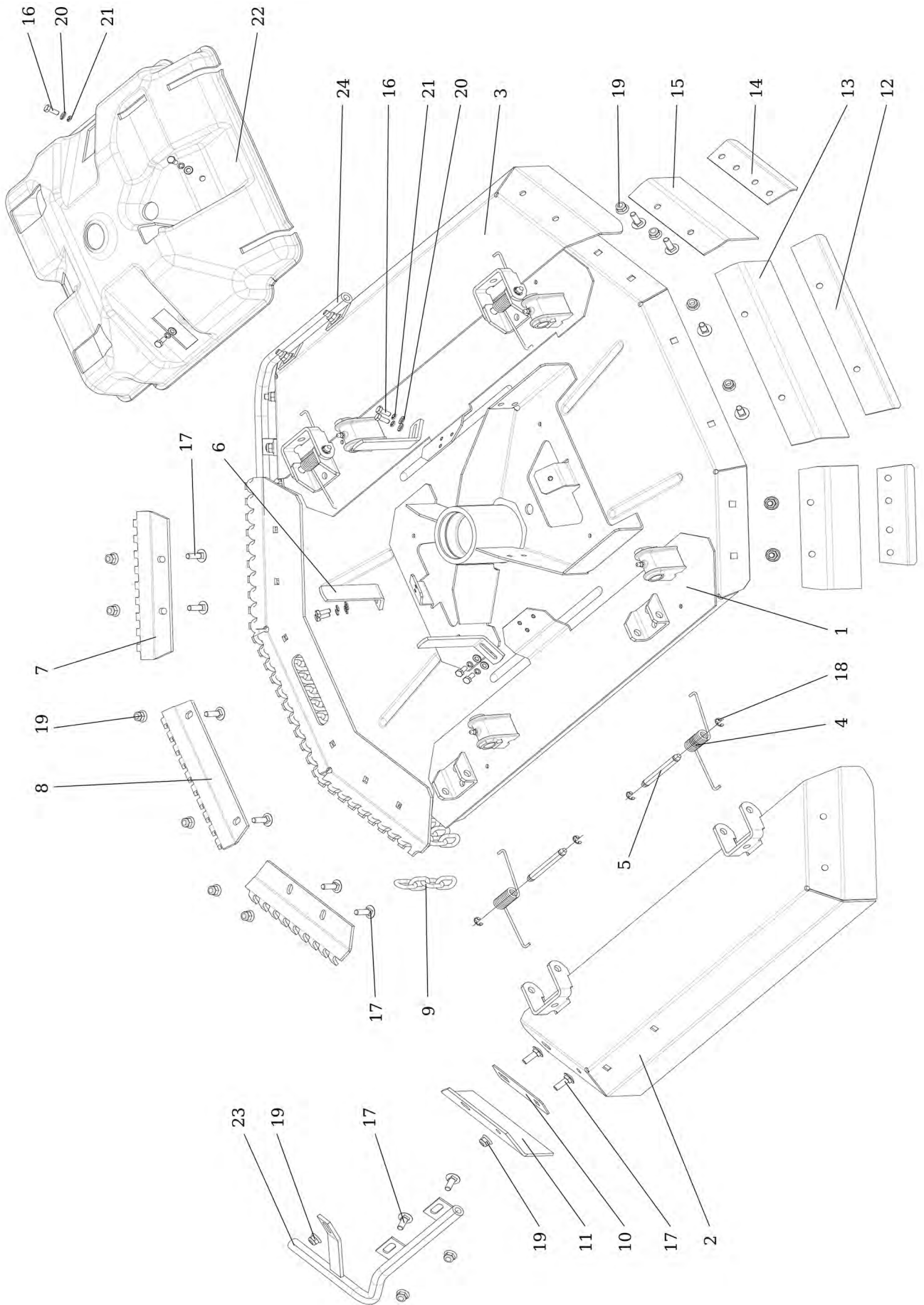
| N° | REFERENCES | DESIGNATIONS | Qté |
|----|---------------|---|-----|
| 1 | S532938252013 | AXE ET PIGNON DE DIRECTION RL1092BS | 1 |
| 2 | S532038523863 | ROULEMENT DE DIRECTION RL1092BS | 1 |
| 3 | N323721002 | BAGUE DE PALIER DE DIRECTION RL1092BS | 1 |
| 4 | S532033322013 | CREMAILLIERE DE DIRECTION RL1092BS | 1 |
| 5 | S532080272053 | EXCENTRIQUE DE DIRECTION RL1092BS | 1 |
| 6 | S532092207583 | RONDELLE D'AXE DE DIRECTION RL1092BS | 2 |
| 7 | S532096263753 | SOUFFLET DE DIRECTION RL1092BS | 1 |
| 8 | N425111004 | GRAISSEUR MK 6x1 RL1092BS | 1 |
| 9 | S532080202883 | ENTRETOISE DE ROTULE RL1092BS | 1 |
| 10 | N311732008 | CIRCLIPS 15 D'AXE RL1092BS | 1 |
| 11 | N309503512 | VIS M8X25 DE ROULEMENT RL1092BS | 2 |
| 12 | N532150290 | ECROU M8 DIN 6926 8 Zinc RL1092BS | 4 |
| 13 | N000324001 | ROULEMENT SPHERIQUE DE DIRECTION RL1092BS | 1 |
| 14 | N443821008 | VOLANT RL1092BS | 1 |
| 15 | N315238031 | GOUPILLE MECANINDUS 6x45 RL1092BS | 1 |
| 16 | N309503517 | VIS M8X16 DE ROULEMENT SPHERIQUE RL1092BS | 2 |
| 17 | N311129528 | ECROU M14 D'EXCENTRIQUE RL1092BS | 2 |
| 18 | N532151106 | CACHE DE VOLANT RL1092BS | 1 |
| 19 | N443821010 | POMMEAU DE VOLANT RL1092BS | 1 |



DEBROUSSAILLEUSE AUTOPORTEE ROQUES & LECŒUR RL1092BS 2019
(MOTEUR B & S PROFESSIONNAL SERIES 7220 - 22 HP - OHV - BI-CYLINDRE)

SYSTEME DE RELEVAGE

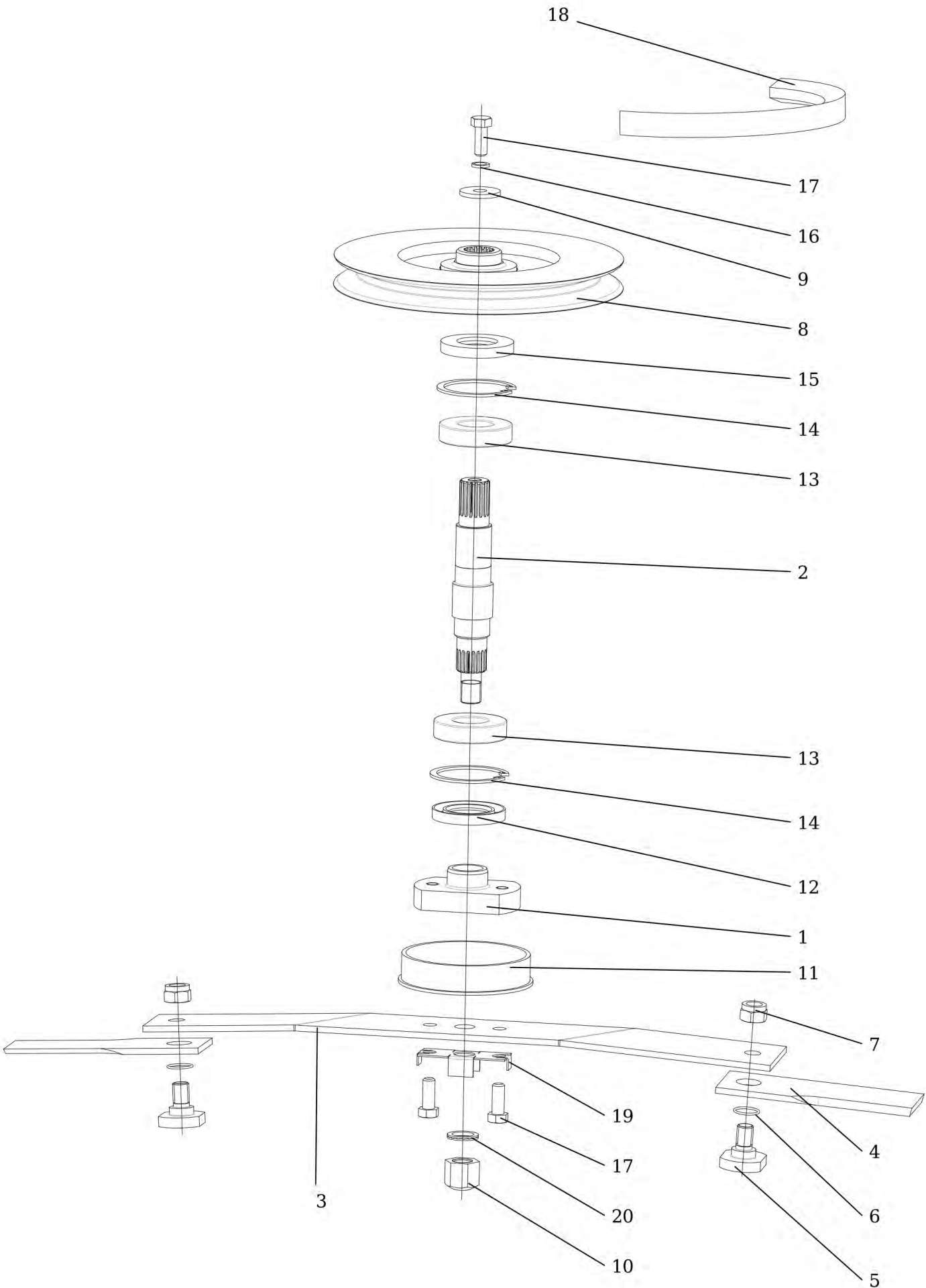
| N° | REFERENCES | DESIGNATIONS | Qté |
|----|---------------|---|-----|
| 1 | S532980702173 | AXE COMMANDE DE RELEVAGE RL1092BS | 1 |
| 2 | S532080112443 | LEVIER DE REGLAGE DE HAUTEUR RL1092BS | 1 |
| 3 | N532150425 | POIGNEE NOIRE DE LEVIER RL1092BS | 1 |
| 4 | S532013422063 | GRILLE DE SELECTION DE HAUTEUR RL1092BS | 1 |
| 5 | S532080312313 | BRAS DE LEVAGE RL1092BS | 2 |
| 6 | S532980365383 | BRAS DE LEVAGE ARRIERE RL1092BS | 2 |
| 7 | S532980365233 | BRAS DE LEVAGE AVANT DROIT RL1092BS | 2 |
| 8 | S532193103673 | AXE DE BRAS DE LEVAGE RL1092BS | 2 |
| 9 | N315231222 | RESSORT DE LEVIER DE REGLAGE RL1092BS | 1 |
| 10 | N311210511 | RONDELLE 15 DE LEVIER RL1092BS | 2 |
| 11 | N311338524 | GOUPILLE 3.2x36 DE LEVIER RL1092BS | 2 |
| 12 | N309578009 | VIS M8x20 DE BRAS DE LEVAGE RL1092BS | 2 |
| 13 | N309201519 | VIS M8X55 DE BRAS DE LEVAGE RL1092BS | 2 |
| 14 | N311129501 | ECROU M8 DE BRAS DE LEVAGE RL1092BS | 2 |
| 15 | N532150290 | ECROU M8 DE VIS DE RESSORT RL1092BS | 1 |
| 16 | S532913463193 | SUPPORT DE POULIE RL1092BS | 1 |
| 17 | S532038128423 | AXE DE POULIE TENDEUR RL1092BS | 1 |
| 18 | S532033232383 | POULIE DE TENSION RL1092BS | 1 |
| 19 | N321841075 | COUVERCLE DE POULIE DE TENSION RL1092BS | 1 |
| 20 | S532195203393 | ENTRETOISE DE POULIE RL1092BS | 1 |
| 21 | N311733075 | CIRCLIPS INT. 35 RL1092BS | 2 |
| 22 | N324162097 | ROULEMENT 6202 VV C3 DE POULIE RL1092BS | 2 |
| 23 | N323721006 | DOUILLE EN TEFLON RL1092BS | 2 |
| 24 | N311129523 | ECROU M10 D'AXE DE POULIE RL1092BS | 2 |
| 25 | N311219496 | RONDELLE 16X22X1 DE SUPPORT RL1092BS | 2 |
| 26 | N315231228 | RESSORT DE RAPPEL RL1092BS | 1 |
| 27 | N309599025 | VIS DE RESSORT RL1092BS | 1 |
| 28 | S532097302223 | LAMELLE RESSORT DE CONTACTEUR RL1092BS | 1 |
| 29 | S532092412463 | PLAQUE DE RETENUE RL1092BS | 1 |
| 30 | N309503548 | VIS M6X20 DE LAMELLE RL1092BS | 1 |
| 31 | N311129525 | ECROU M6 DE LAMELLE RL1092BS | 1 |
| 32 | N311212517 | RONDELLE 9 Zinc DE BRAS RL1092BS | 2 |
| 33 | N311214502 | RONDELLE 8 RL1092BS | 6 |
| 34 | N309578520 | VIS M8x16 DIN 7500 D RL1092BS | 6 |
| 35 | N311732009 | CIRCLIPS E-12 RL1092BS | 7 |
| 36 | N309578491 | VIS pr.16/M12-80 DE BRAS RL1092BS | 4 |
| 37 | N311129526 | ECROU M12 DE VIS DE BRAS RL1092BS | 4 |



DEBROUSSAILLEUSE AUTOPORTEE ROQUES & LECŒUR RL1092BS 2019
(MOTEUR B & S PROFESSIONNAL SERIES 7220 - 22 HP - OHV - BI-CYLINDRE)

PLATEAU DE COUPE

| N° | REFERENCES | DESIGNATIONS | Qté |
|----|---------------|--|-----|
| 1 | S532950472303 | PLATEAU DE COUPE NU 92 CM RL1092BS | 1 |
| 2 | S532985423883 | COUVERCLE GAUCHE C. RL1092BS | 1 |
| 3 | S532985423893 | COUVERCLE DROIT C. RL1092BS | 1 |
| 4 | N315231221 | RESSORT DE COUVERCLE RL1092BS | 4 |
| 5 | S532093117613 | AXE DE RESSORT DE COUVERCLE RL1092BS | 4 |
| 6 | S532014409283 | LIMITEUR DE COURSE RL1092BS | 3 |
| 7 | S532113415743 | SUPPORT LATERAL DE CHAINE RL1092BS | 2 |
| 8 | S532113415733 | SUPPORT FRONTAL DE CHAINE RL1092BS | 1 |
| 9 | N318112030 | CHAINE A6/4 . 9-8558-200 RL1092BS | 27 |
| 10 | S532113408393 | ENTRETOISE DE RENFORT AVANT RL1092BS | 2 |
| 11 | N273192050 | RENFORT AVANT DE COUVERCLE RL1092BS | 2 |
| 12 | S532113408383 | ENTRETOISE DE JUPE CENTRALE AR. RL1092BS | 1 |
| 13 | N273192051 | JUPE CENTRALE ARRIERE RL1092BS | 1 |
| 14 | S532113408373 | ENTRETOISE DE JUPE LATERALE AR. RL1092BS | 2 |
| 15 | N273192052 | JUPE LATERALE ARRIERE RL1092BS | 2 |
| 16 | N309503508 | VIS M6X16 RL1092BS | 9 |
| 17 | N309019508 | VIS M8x25 Zinc RL1092BS | 20 |
| 18 | N311732002 | CIRCLIPS E-7 D'AXE DE COUVERCLE RL1092BS | 8 |
| 19 | N532150290 | ECROU M8 DIN 6926 8 Zinc RL1092BS | 20 |
| 20 | N311210502 | RONDELLE 6.4 RL1092BS | 9 |
| 21 | N311214501 | RONDELLE 6 RL1092BS | 9 |
| 22 | N532151226 | CAPOT PLASTIQUE DE PROTECTION RL1092BS | 1 |
| 23 | S532913452093 | TUBE DE PROTECTION GAUCHE RL1092BS | 1 |
| 24 | S532913452103 | TUBE DE PROTECTION DROIT RL1092BS | 1 |

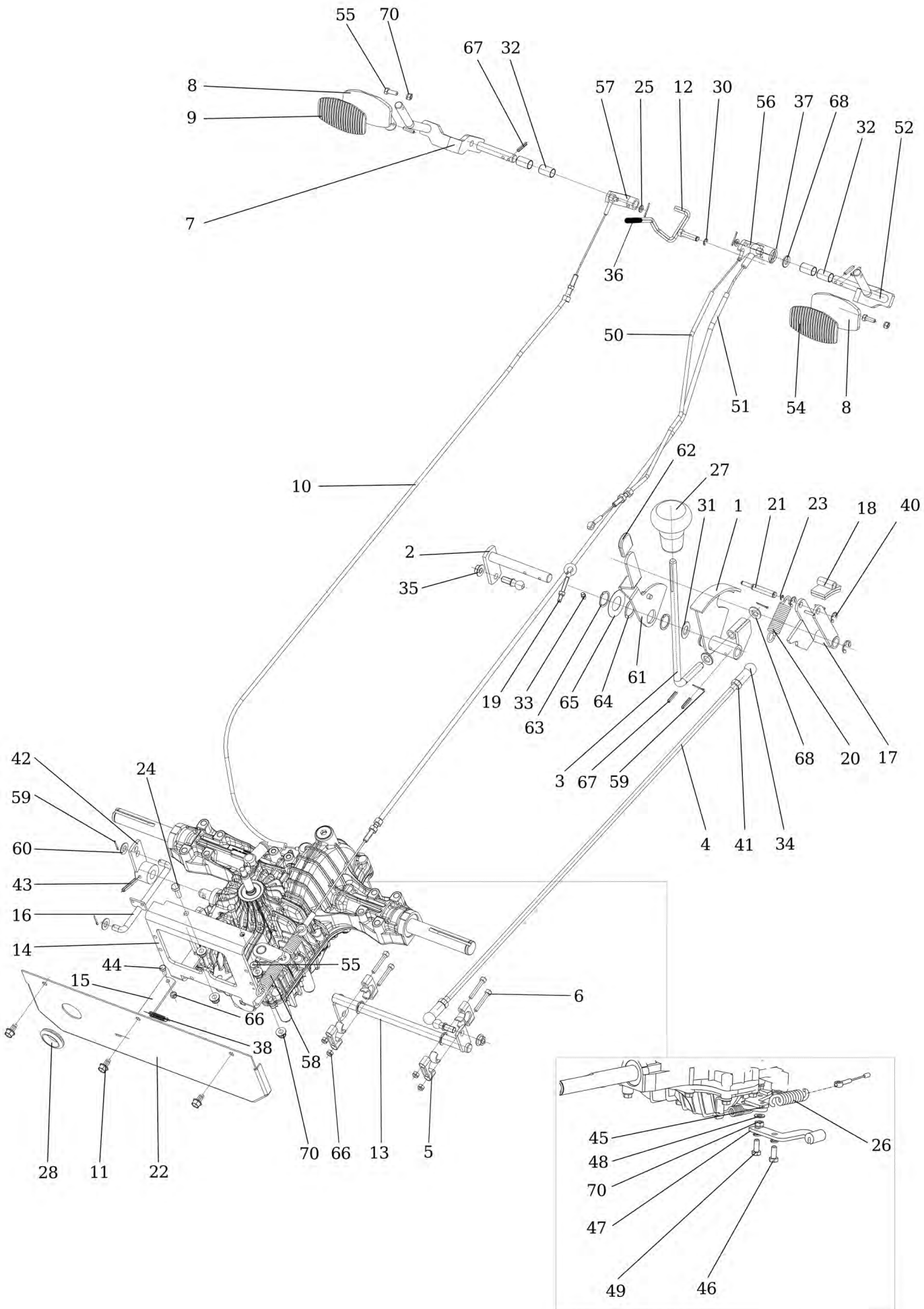


DEBROUSSAILLEUSE AUTOPORTEE ROQUES & LECŒUR RL1092BS 2019
(MOTEUR B & S PROFESSIONNAL SERIES 7220 - 22 HP - OHV - BI-CYLINDRE)

PALIER & LAME

| N° | REFERENCES | DESIGNATIONS | Qté |
|----|---------------|--|-----|
| 1 | S532098212023 | BRIDE DE SUPPORT DE COUTEAU RL1092BS | 1 |
| 2 | S532038152193 | ARBRE DE PALIER RL1092BS | 1 |
| 3 | S532050412233 | SUPPORT DE COUTEAU RL1092BS | 1 |
| 4 | S532950602033 | JEU DE 2 COUTEAUX PIVOTANTS RL1092BS | 1 |
| 5 | S532090164643 | VIS DE COUTEAU RL1092BS | 2 |
| 6 | N273111027 | ANNEAU 22X2 DE COUTEAU RL1092BS | 2 |
| 7 | N311129503 | ECROU M16 DE COUTEAU RL1092BS | 2 |
| 8 | S532033252033 | POULIE D'ENTRAINEMENT DE LAME RL1092BS | 1 |
| 9 | S532092207873 | RONDELLE SUPERIEURE DE POULIE RL1092BS | 1 |
| 10 | N532150440 | ECROU SPECIAL D'AXE DE PALIER RL1092BS | 1 |
| 11 | S532939352023 | PROTECTION DE BRIDE RL1092BS | 1 |
| 12 | N273521180 | JOINT SPI 45x72x10 INF. D'AXE DE PALIER RL1092BS | 1 |
| 13 | N324162095 | ROULEMENT 6207 2-RS DE PALIER RL1092BS | 2 |
| 14 | N311733093 | CIRCLIPS INT. 72 DE PALIER RL1092BS | 2 |
| 15 | N273521179 | JOINT SPI 35x72x10 SUP. D'AXE DE PALIER RL1092BS | 1 |
| 16 | N311214504 | RONDELLE 12 DE POULIE RL1092BS | 1 |
| 17 | N309503503 | VIS M12X30 DE POULIE ET SUPPORT RL1092BS | 3 |
| 18 | N272731213 | COURROIE V. 17X1890 Li DE COUPE RL1092BS | 1 |
| 19 | S532092304123 | PROTECTION DE VIS RL1092BS | 1 |
| 20 | N311219514 | RONDELLE NL 20 Zinc D'AXE DE PALIER RL1092BS | 2 |

RL1092BS



DEBROUSSAILLEUSE AUTOPORTEE ROQUES & LECŒUR RL1092BS 2019
(MOTEUR B & S PROFESSIONNAL SERIES 7220 - 22 HP - OHV - BI-CYLINDRE)

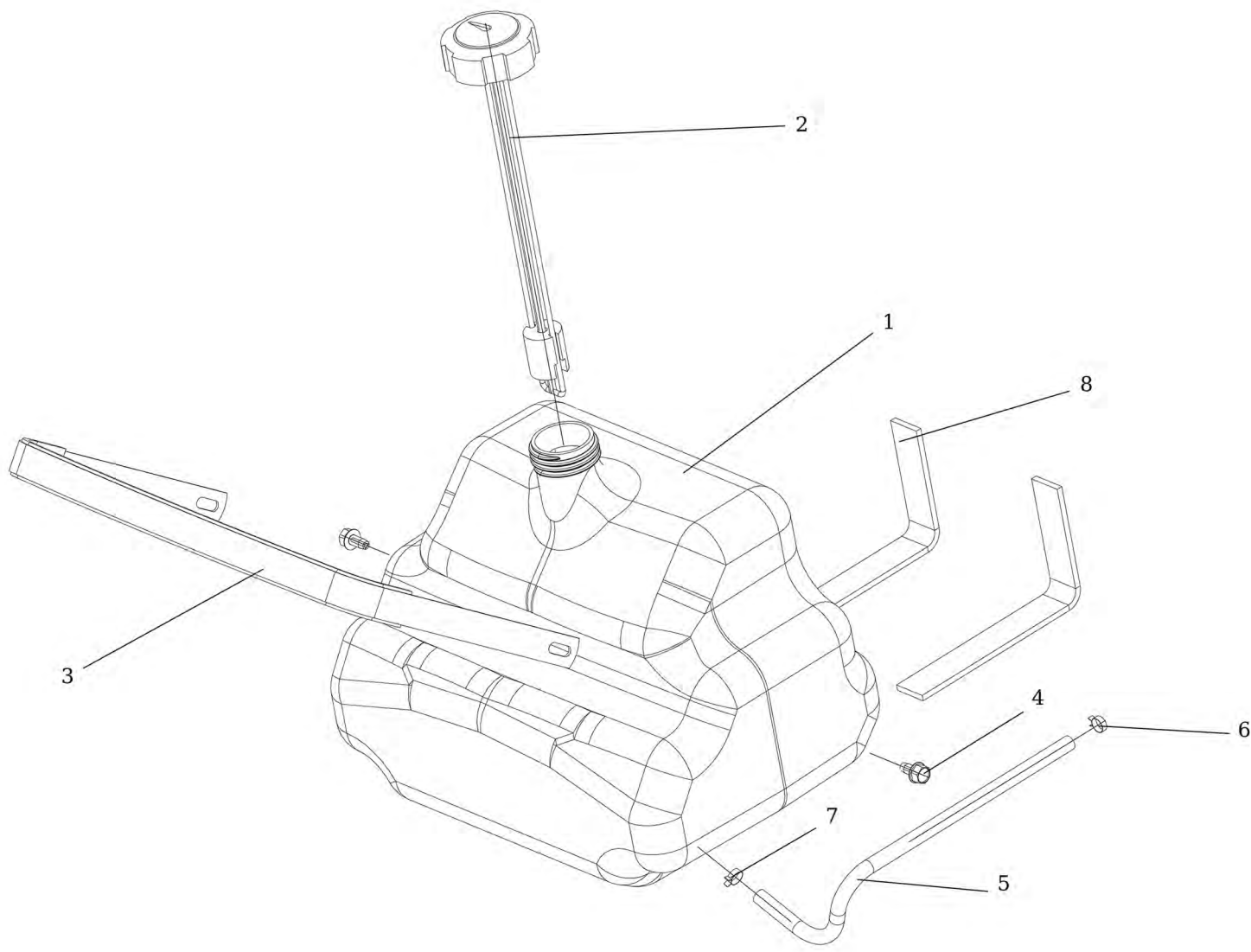
TRANSMISSION & COMMANDE

| N° | REFERENCES | DESIGNATIONS | Qté |
|----|---------------|---|-----|
| 1 | S532929462083 | PIVOT D'AVANCEMENT RL1092BS | 1 |
| 2 | S532993362823 | AXE DE PIVOT RL1092BS | 1 |
| 3 | S532080403003 | LEVIER DE COMMANDE RL1092BS | 1 |
| 4 | N532151441 | TRINGLE DE COMMANDE RL1092BS | 1 |
| 5 | N324196025 | DOUILLE ET BRIDE DE LEVIER DE COMMANDE RL1092BS | 2 |
| 6 | N309543526 | VIS M6x40 DE BRIDE RL1092BS | 4 |
| 7 | S532980462483 | BRAS DE PEDALE GAUCHE DE FREIN RL1092BS | 1 |
| 8 | S532980462503 | PLAQUE DE PEDALE DROITE ET GAUCHE RL1092BS | 2 |
| 9 | N273151001 | CAOUTCHOUC DE PEDALE GAUCHE RL1092BS | 1 |
| 10 | N443900119 | CABLE DE VERROUILLAGE DU DIFFERENTIEL RL1092BS | 1 |
| 11 | N309578520 | VIS M8x16 DE PROTECTION ARRIERE RL1092BS | 3 |
| 12 | S532980463353 | LEVIER DE VERROUILLAGE DE FREIN RL1092BS | 1 |
| 13 | S532929362073 | BRAS DE COMMANDE RL1092BS | 1 |
| 14 | S532013412073 | SUPPORT ARRIERE RL1092BS | 1 |
| 15 | S532080402913 | LEVIER DE DEBRAYAGE RL1092BS | 1 |
| 16 | S532929362103 | TRINGLE D'ACCOUPLLEMENT RL1092BS | 1 |
| 17 | S532929362203 | MOYEU EXTERIEUR RL1092BS | 1 |
| 18 | S532917722013 | GARNITURE DE FREIN RL1092BS | 1 |
| 19 | N309578514 | VIS M6x50 A CŒIL RL1092BS | 1 |
| 20 | N315231230 | RESSORT D'AVANCEMENT RL1092BS | 2 |
| 21 | S532193103723 | AXE DE RESSORT RL1092BS | 1 |
| 22 | S532085422073 | PROTECTION ARRIERE RL1092BS | 1 |
| 23 | N311732001 | CIRCLIPS E-4 D'AXE DE RESSORT RL1092BS | 1 |
| 24 | N309503512 | VIS M8X25 DE SUPPORT RL1092BS | 2 |
| 25 | N311210502 | RONDELLE 6.4 DE BRAS DE PEDALE RL1092BS | 2 |
| 26 | N315231239 | RESSORT DE CABLE D'AVANCEMENT RL1092BS | 1 |
| 27 | N532150341 | POIGNEE NOIRE DE LEVIER RL1092BS | 1 |
| 28 | N273121037 | BAGUE CAOUTCHOUC 38x32x3 RL1092BS | 1 |
| 29 | N442073015 | ROTULE ANGLE DROIT RL1092BS | 1 |
| 30 | N311732007 | CIRCLIPS E-6 DE LEVIER DE FREIN RL1092BS | 1 |
| 31 | N532151564 | RONDELLE LEVIER CRUISE-CONTROL RL1092BS | 1 |
| 32 | N323721011 | DOUILLE TEFLON D'AXEDE PEDALE RL1092BS | 4 |
| 33 | N425111004 | GRAISSEUR MK 6x1 RL1092BS | 1 |
| 34 | N442073021 | ROTULE 16 DIN 71802 C M10 RL1092BS | 1 |
| 35 | N311129516 | ECROU M 10 DIN 6923 8 Zinc RL1092BS | 2 |
| 36 | N532150209 | GAINAGE VINYL NOIR 8X40 DE LEVIER DE FREIN RL1092BS | 1 |
| 37 | N311338516 | GOUPILLE BETA 3.2x20 RL1092BS | 1 |
| 38 | N315231224 | RESSORT TZ 080.088.0312 Zinc RL1092BS | 1 |
| 39 | N311150506 | ECROU M10 DE ROTULE RL1092BS | 1 |
| 40 | N311732002 | CIRCLIPS E-7 DE SUPPORT FREIN RL1092BS | 2 |
| 41 | N311150514 | ECROU M10 PAS A GAUCHE DE ROTULE RL1092BS | 1 |
| 42 | S532929462053 | LEVIER DE COMMANDE RL1092BS | 1 |
| 43 | N315238049 | GOUPILLE MECANINDUS 6X40 RL1092BS | 1 |
| 44 | N309503548 | VIS M6X20 DE LEVIER RL1092BS | 1 |
| 45 | S532980365163 | SUPPORT COMPLET DE FREIN RL1092BS | 1 |
| 46 | N309503512 | VIS M8X25 DE LEVIER RL1092BS | 1 |
| 47 | S532913462813 | LEVIER DE FREIN RL1092BS | 1 |
| 48 | N311214502 | RONDELLE 8 DE LEVIER RL1092BS | 2 |
| 49 | N309578518 | VIS M8X30 DE LEVIER RL1092BS | 2 |
| 50 | N443900152 | CABLE DE CRUISE-CONTROL RL1092BS | 1 |

DEBROUSSAILLEUSE AUTOPORTEE ROQUES & LECŒUR RL1092BS 2019
(MOTEUR B & S PROFESSIONNAL SERIES 7220 - 22 HP - OHV - BI-CYLINDRE)

TRANSMISSION & COMMANDE

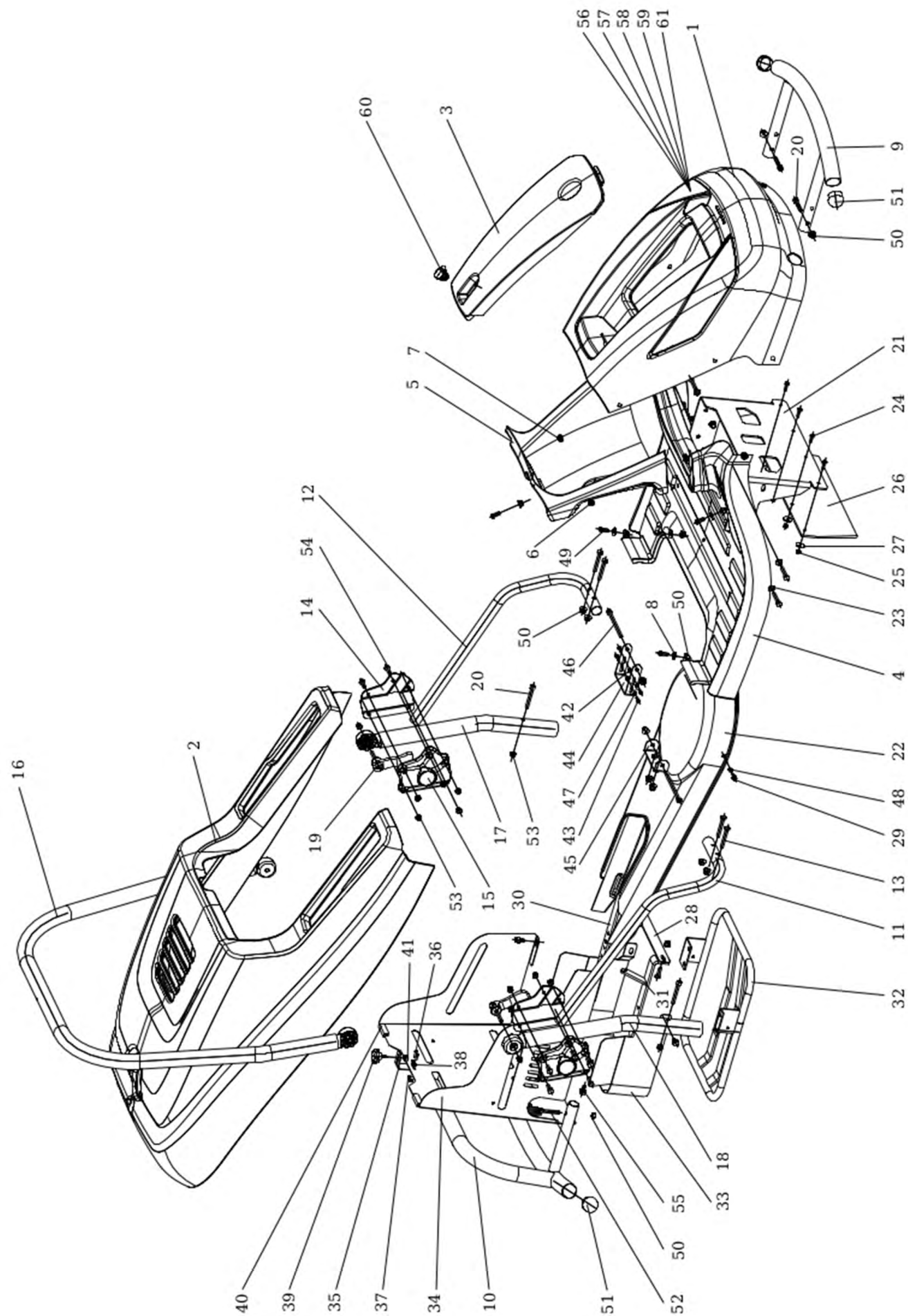
| N° | REFERENCES | DESIGNATIONS | Qté |
|----|---------------|--|-----|
| 51 | N443900121 | CABLE DE FREIN RL1092BS | 1 |
| 52 | S532980462493 | BRAS DE PEDALE DROIT D'AVANCEMENT RL1092BS | 1 |
| 54 | N273151001 | CAOUTCHOUC DE PEDALE DROITE RL1092BS | 1 |
| 55 | N309201519 | VIS M8X55 RL1092BS | 5 |
| 56 | S532980463333 | SUPPORT DROIT DE CABLE RL1092BS | 1 |
| 57 | S532929362183 | SUPPORT GAUCHE DE CABLE RL1092BS | 1 |
| 58 | N315231042 | RESSORT DE RAPPEL TZ 1.6X14.4X56x20 RL1092BS | 1 |
| 59 | N311338501 | GOUPILLE BETA 2X20 RL1092BS | 8 |
| 60 | N311210505 | RONDELLE 13 DE TRINGLE RL1092BS | 2 |
| 61 | S532914322013 | LEVIER DE CRUISE-CONTROL RL1092BS | 1 |
| 62 | N532151130 | CAPUCHON VINYL ROUGE 25X5RX40 RL1092BS | 1 |
| 63 | N311733014 | CIRCLIPS EXT. 25 RL1092BS | 2 |
| 64 | N311219522 | RONDELLE RESSORT W 61520 RL1092BS | 1 |
| 65 | S532092208083 | RONDELLE PLATE DE LEVIER RL1092BS | 1 |
| 66 | N311129513 | ECROU M6 RL1092BS | 6 |
| 67 | N315238036 | GOUPILLE MECANINDUS 5X25 RL1092BS | 5 |
| 68 | N311210504 | RONDELLE 10.5 RL1092BS | 3 |
| 69 | N311732009 | CIRCLIPS E-12 RL1092BS | 3 |
| 70 | N532150290 | ECROU FREIN M8 DIN 6926 8 RL1092BS | 7 |



DEBROUSSAILLEUSE AUTOPORTEE ROQUES & LECŒUR RL1092BS 2019
 (MOTEUR B & S PROFESSIONNAL SERIES 7220 - 22 HP - OHV - BI-CYLINDRE)

RESERVOIR CARBURANT

| N° | REFERENCES | DESIGNATIONS | Qté |
|----|---------------|--|-----|
| 1 | N232130029 | RESERVOIR CARBURANT 15 LITRES RL1092BS | 1 |
| 2 | N532151566 | BOUCHON AVEC JAUGE RL1092BS | 1 |
| 3 | S532013412123 | SUPPORT FRONTAL DE RESERVOIR RL1092BS | 1 |
| 4 | N309578520 | VIS M8X16 DE SUPPORT RL1092BS | 2 |
| 5 | S532986018023 | TUYAU D'ALIMENTATION RL1092BS | 1 |
| 6 | N548241017 | CLIPS DE TUYAU 8-12 Zinc RL1092BS | 1 |
| 7 | N000532058 | CLIPS DE TUYAU SORTIE RESERVOIR RL1092BS | 1 |



DEBROUSSAILLEUSE AUTOPORTEE ROQUES & LECŒUR RL1092BS 2019
(MOTEUR B & S PROFESSIONNAL SERIES 7220 - 22 HP - OHV - BI-CYLINDRE)

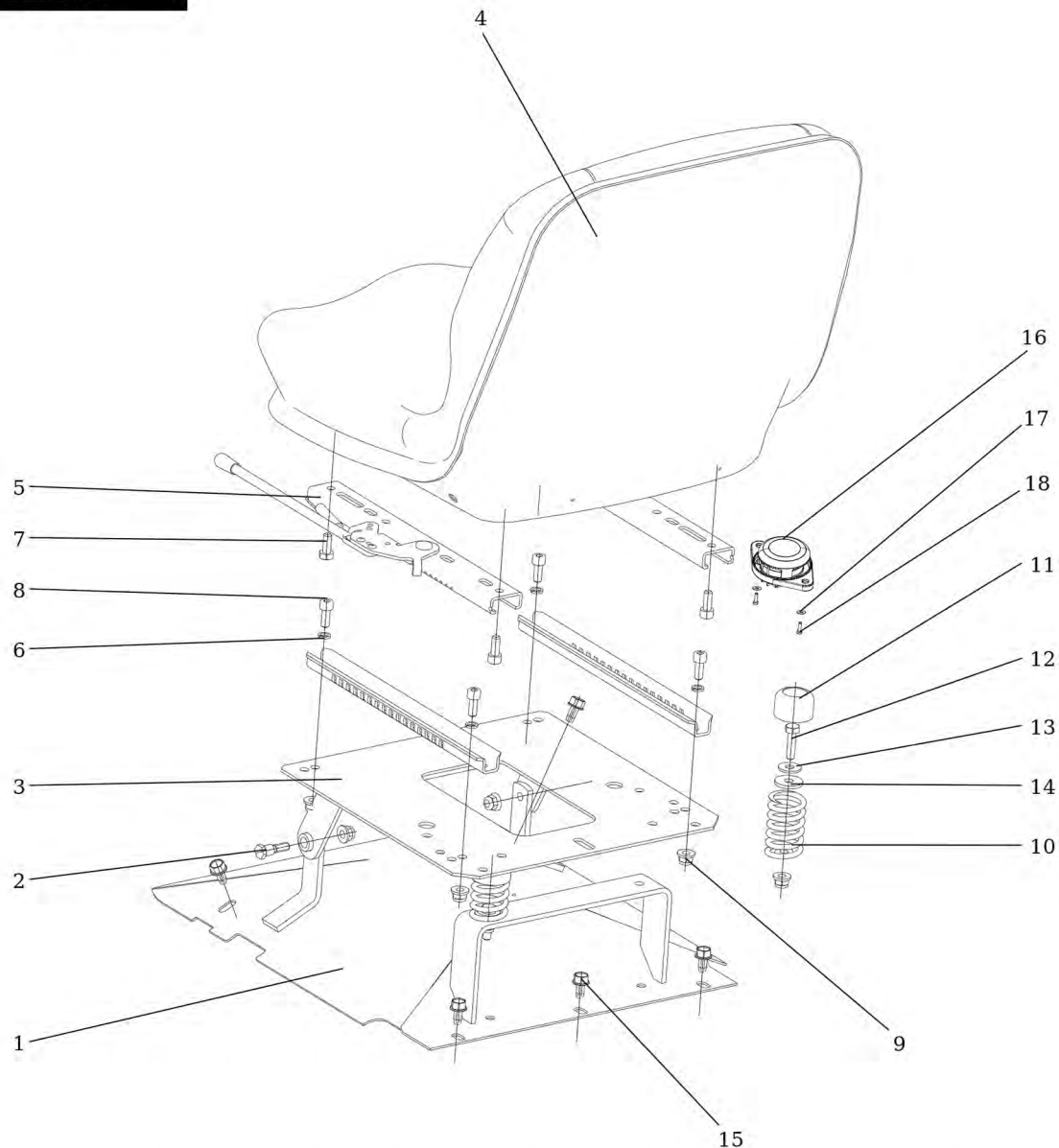
CAPOT ET PROTECTION

| N° | REFERENCES | DESIGNATIONS | Qté |
|----|---------------|--|-----|
| 1 | N532151666 | CAPOT AVANT JAUNE RL1092BS | 1 |
| 2 | N532151670 | CAPOT MOTEUR JAUNE RL1092BS | 1 |
| 3 | N532151668 | COUVERCLE JAUNE DE BATTERIE RL1092BS | 1 |
| 4 | N532151113 | CARTER REPOSE PIEDS NOIR RL1092BS | 1 |
| 5 | N532151461 | CAPOT NOIR TABLEAU DE BORD RL1092BS | 1 |
| 6 | N532150903 | SIEGE D'AXE DE VERROUILLAGE RL1092BS | 10 |
| 7 | N532150904 | AXE DE VERROUILLAGE RL1092BS | 10 |
| 8 | N311210504 | RONDELLE 10.5 RL1092BS | 5 |
| 9 | S532918462053 | PARE-CHOC FRONTAL NOIR RL1092BS | 1 |
| 10 | S532918462063 | PARE-CHOC ARRIERE NOIR RL1092BS | 1 |
| 11 | S532013422173 | PROTECTION LATERALE NOIRE DROITE RL1092BS | 1 |
| 12 | S532013422183 | PROTECTION LATERALE NOIRE GAUCHEE RL1092BS | 1 |
| 13 | N309201519 | VIS M8X55 DE PROTECTION LATERALE RL1092BS | 4 |
| 14 | N532151104 | COLLIER DROIT DE PROTECTION LATERALE RL1092BS | 2 |
| 15 | N532151105 | COLLIER GAUCHE DE PROTECTION LATERALE RL1092BS | 2 |
| 16 | S532985422173 | ARCEAU DE PROTECTION NOIR RL1092BS | 1 |
| 17 | S532985422183 | TUBE INFERIEUR DROIT NOIR D'ARCEAU RL1092BS | 1 |
| 18 | S532985422193 | TUBE INFERIEUR GAUCHE NOIR D'ARCEAU RL1092BS | 1 |
| 19 | N532151102 | LEVIER DE SERRAGE RAPIDE D'ARCEAU RL1092BS | 2 |
| 20 | N309543010 | VIS M8X55 RL1092BS | 6 |
| 21 | S532085412053 | TOLE NOIRE AVANT DE CHASSIS RL1092BS | 1 |
| 22 | N532151447 | CAPOT PROTEGE COURROIE RL1092BS | 1 |
| 23 | N311210503 | RONDELLE 8.4 RL1092BS | 4 |
| 24 | N309503548 | VIS M6X20 DE TOLE AVANT RL1092BS | 4 |
| 25 | N311129513 | ECROU FREIN M6 DE TOLE AVANT RL1092BS | 4 |
| 26 | N273192019 | TOLE NOIRE AVANT RL1092BS | 1 |
| 27 | N311212520 | RONDELLE 6.6 DE TOLE AVANT RL1092BS | 4 |
| 28 | S532913362023 | SUPPORT DE CAPOT RL1092BS | 1 |
| 29 | N309578517 | VIS M6X16 DE PROTEGE COURROIE RL1092BS | 2 |
| 30 | S532092402553 | PATTE SUPPORT PROTECTION RL1092BS | 1 |
| 31 | S532992462023 | PATTE SUPPORT PROTECTION RL1092BS | 1 |
| 32 | S532913462033 | PROTECTION DE CHASSIS RL1092BS | 1 |
| 33 | S532085412063 | DEFLECTEUR ARRIERE RL1092BS | 1 |
| 34 | S532085412043 | TOLE NOIRE ARRIERE DE CHASSIS RL1092BS | 1 |
| 35 | S532113408033 | SUPPORT DE MOLETTE RL1092BS | 1 |
| 36 | N309203518 | VIS M4X16 DE SUPPORT MOLETTE RL1092BS | 2 |
| 37 | N311129514 | ECROU M4 DE SUPPORT MOLETTE RL1092BS | 2 |
| 38 | N311210506 | RONDELLE 4.3 DE SUPPORT MOLETTE RL1092BS | 2 |
| 39 | N532151676 | MOLETTE DE CAPOT MOTEUR RL1092BS | 1 |
| 40 | S532096342193 | PATIN DE CAPOT MOTEUR RL1092BS | 2 |
| 41 | N311101001 | ECROU CAGE DE MOLETTE RL1092BS | 1 |
| 42 | N311129524 | ECROU M5 DE SUPPORT CAPOT MOTEUR RL1092BS | 4 |
| 43 | N309203539 | VIS M5X16 DE SUPPORT CAPOT MOTEUR RL1092BS | 4 |
| 44 | S532113415343 | SUPPORT AV. GAUCHE DE CAPOT MOTEUR RL1092BS | 1 |
| 45 | S532913413253 | SUPPORT AV. DROIT DE CAPOT MOTEUR RL1092BS | 1 |
| 46 | N309543524 | VIS M8X120 DE SUPPORT CAPOT MOTEUR RL1092BS | 2 |
| 47 | N311210501 | RONDELLE 5.3 DE VIS DE SUPPORT RL1092BS | 4 |
| 48 | N532151443 | ENTRETOISE RRSN DE CAPOT COURROIE RL1092BS | 2 |
| 49 | N309578522 | VIS M8X20 DE REPOSE PIEDS RL1092BS | 6 |
| 50 | N532150290 | ECROU FREIN M8 RL1092BS | 32 |

DEBROUSSAILLEUSE AUTOPORTEE ROQUES & LECŒUR RL1092BS 2019
(MOTEUR B & S PROFESSIONNAL SERIES 7220 - 22 HP - OHV - BI-CYLINDRE)

CAPOT ET PROTECTION

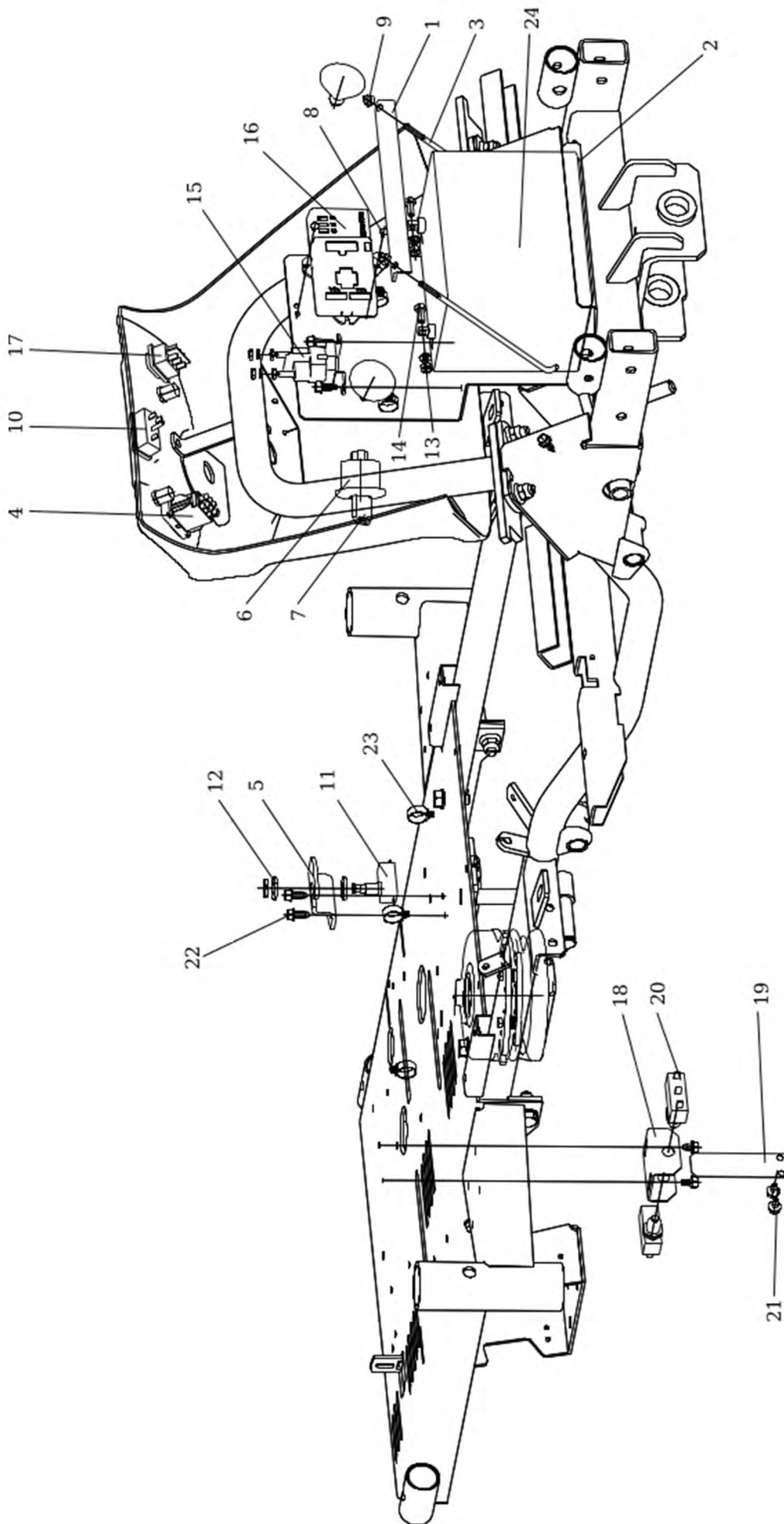
| N° | REFERENCES | DESIGNATIONS | Qté |
|----|------------|---|-----|
| 51 | N321841087 | BOUCHON 40 MM DE PARE-CHOCS RL1092BS | 4 |
| 52 | N309543011 | VIS M8X45 DE PARE-CHOCS ARRIERE RL1092BS | 4 |
| 53 | N311129501 | ECROU FREIN M8 RL1092BS | 18 |
| 54 | N309503512 | VIS M8X25 RL1092BS | 12 |
| 55 | N309578520 | VIS M8X16 RL1092BS | 5 |
| 56 | N532151134 | PAIRE DE LENTILLE DE PHARE AVANT RL1092BS | 1 |
| 57 | N532151135 | PAIRE DE REFLECTEUR DE PHARE AVANT RL1092BS | 1 |
| 58 | N532151136 | PAIRE DE PHARE AVANT NU RL1092BS | 1 |
| 59 | N347224008 | AMPOULE 12V - 20W AVEC TETE GV4 RL1092BS | 2 |
| 60 | N532150903 | SIEGE D'AXE DE VERROUILLAGE RL1092BS | 1 |
| | N532150904 | AXE DE VERROUILLAGE RL1092BS | 1 |
| 61 | N341271166 | BANDE DE DIODES LED RL1092BS | 2 |



DEBROUSSAILLEUSE AUTOPORTEE ROQUES & LECŒUR RL1092BS 2019 (MOTEUR B & S PROFESSIONNAL SERIES 7220 - 22 HP - OHV - BI-CYLINDRE)

SIEGE

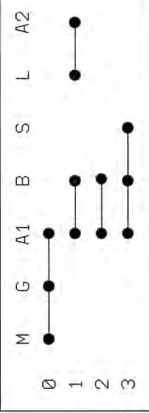
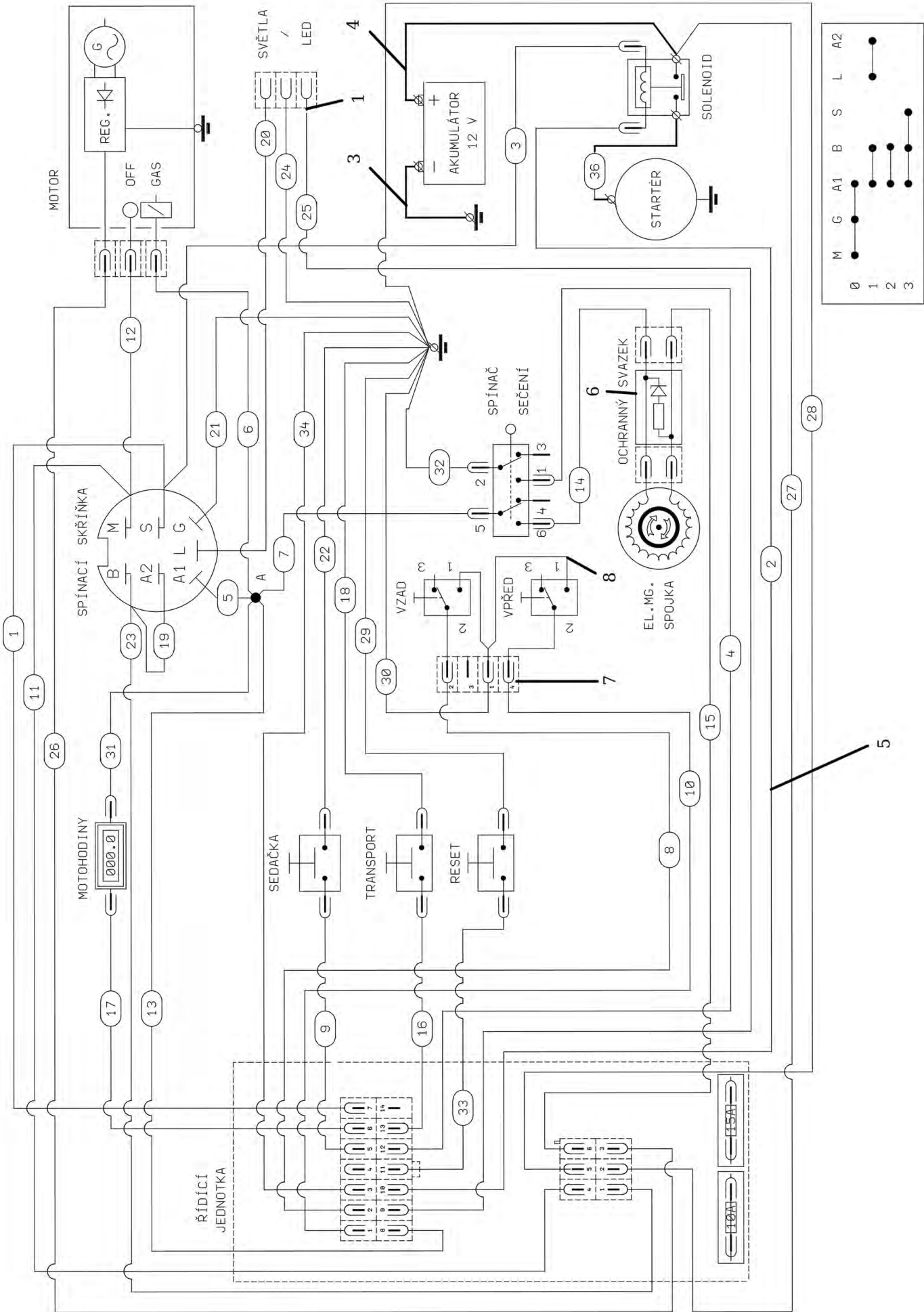
| N° | REFERENCES | DESIGNATIONS | Qté |
|----|---------------|--|-----|
| 1 | S532985472023 | SUPPORT REHAUSSEUR DE SIEGE RL1092BS | 1 |
| 2 | S532090164623 | VIS DE SUPPORT DE SIEGE RL1092BS | 2 |
| 3 | S532918473333 | SUPPORT DE SIEGE RL1092BS | 1 |
| 4 | N532150891 | SIEGE COBO PS 48 E RL1092BS | 1 |
| 5 | N532150562 | MECANISME C. DE GLISSEMENT DE SIEGE RL1092BS | 1 |
| 6 | N311210503 | RONDELLE 8.4 DE GLISSIERE RL1092BS | 4 |
| 7 | N309543017 | VIS M8X25 AVANT DE GLISSIERE RL1092BS | 2 |
| 8 | N309543506 | VIS M8X20 DE GLISSIERE RL1092BS | 6 |
| 9 | N532150290 | ECROU FREIN M8 RL1092BS | 8 |
| 10 | N315231262 | RESSORT DE SIEGE RL1092BS | 2 |
| 11 | N532150208 | CAPUCHON NOIR DE RESSORT RL1092BS | 2 |
| 12 | N309503515 | VIS M8X30 DE RESSORT RL1092BS | 2 |
| 13 | N311212517 | RONDELLE 9 Zinc DE RESSORT RL1092BS | 2 |
| 14 | N311212508 | RONDELLE LARGE 9 Zinc DE RESSORT RL1092BS | 2 |
| 15 | N309578520 | VIS M8X16 DE REHAUSSE RL1092BS | 5 |
| 16 | N345359005 | CONTACTEUR DE SECURITE DE SIEGE RL1092BS | 1 |
| 17 | N311212515 | RONDELLE 4.3 DE CONTACTEUR RL1092BS | 2 |
| 18 | N309315015 | VIS ST4.2X16 DE CONTACTEUR RL1092BS | 2 |



DEBROUSSAILLEUSE AUTOPORTEE ROQUES & LECŒUR RL1092BS 2019
(MOTEUR B & S PROFESSIONNAL SERIES 7220 - 22 HP - OHV - BI-CYLINDRE)

INSTALATION ELECTRIQUE

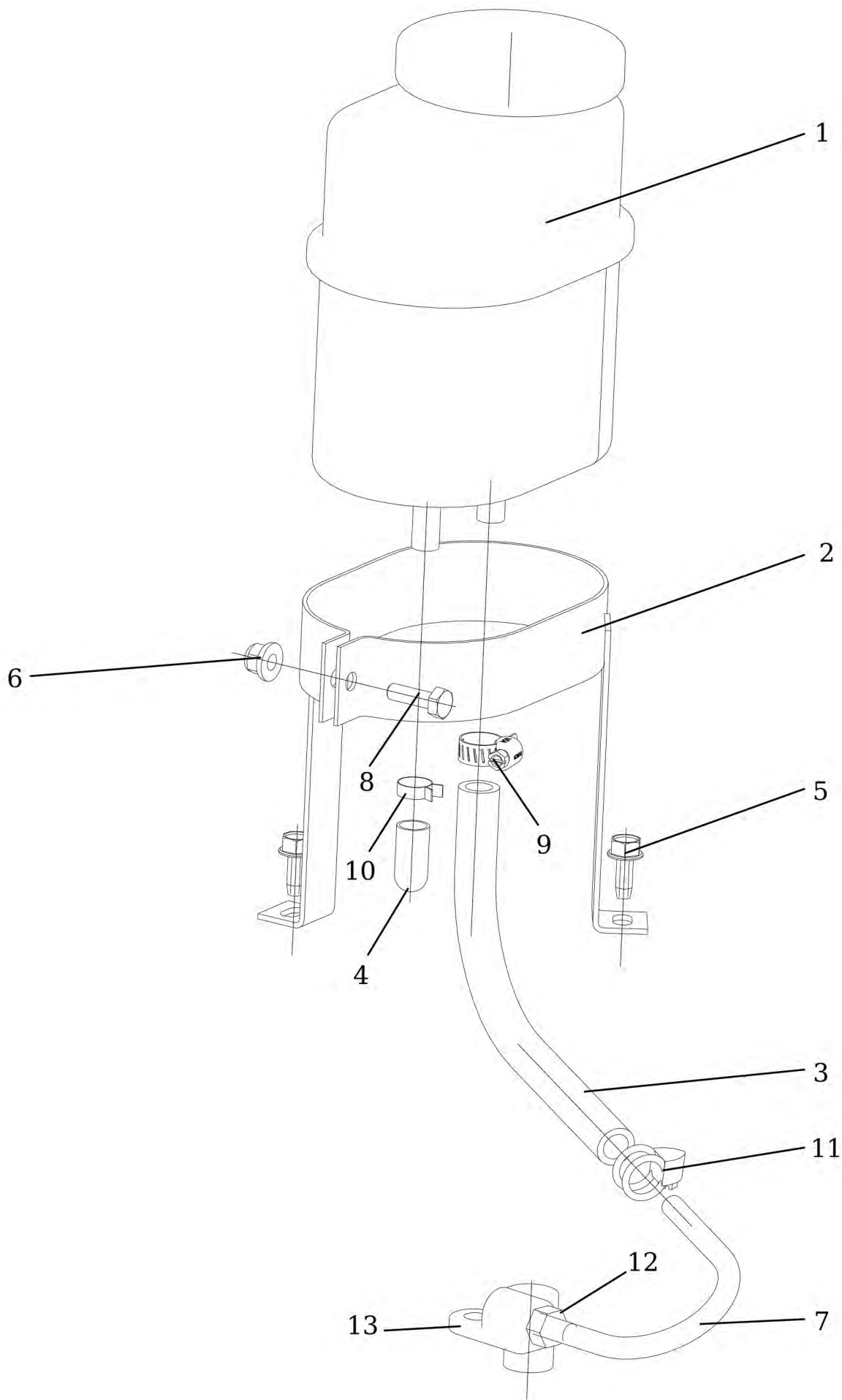
| N° | REFERENCES | DESIGNATIONS | Qté |
|----|---------------|--|-----|
| 1 | S532113403243 | SUPPORT DE BATTERIE RL1092BS | 1 |
| 2 | N273192028 | PATIN DE BATTERIE RL1092BS | 1 |
| 3 | N532150464 | TRINGLE DE FIXATION DE BATTERIE RL1092BS | 2 |
| 4 | N345329023 | INTERRUPTEUR EMBRAYAGE DE LAME RL1092BS | 1 |
| 5 | S532013412113 | SUPPORT DE CONTACTEUR RL1092BS | 1 |
| 6 | N443861007 | CONTACTEUR A CLE RL1092BS | 1 |
| 7 | N443900137 | CLE DE DEMARRAGE RL1092BS | 1 |
| 8 | N532151116 | RIVET DE MODULE RL1092BS | 2 |
| 9 | N311129524 | ECROU FREIN M5 DE TRINGLE DE BATTERIE RL1092BS | 2 |
| 10 | N443433003 | COMPTEURHORAIRE RL1092BS | 1 |
| 11 | N000532079 | CONTACTEUR DE SECURITE RL1092BS | 1 |
| 12 | N532151567 | CAPUCHON DE CONTACTEUR RL1092BS | 1 |
| 13 | N311150504 | ECROU M6 DE COSEE DE BATTERIE RL1092BS | 2 |
| 14 | N309503548 | VIS M6X20 DE COSSE DE BATTERIE RL1092BS | 2 |
| 15 | N532151619 | SOLENOÏD RL1092BS | 1 |
| 16 | N341271190 | MODULE ELECTRONIQUE RL1092-4WD | 1 |
| 17 | N345329025 | INTERRUPTEUR SECURITE MARCHE ARRIERE RL1092BS | 1 |
| 18 | S532014402183 | SUPPORT DE CONTACTEUR RL1092BS | 1 |
| 19 | S532097412083 | LAMELLE RESSORT DE NEUTRE RL1092BS | 1 |
| 20 | N345359004 | CONTACTEUR DE SECURITE RL1092BS | 2 |
| 21 | N309578545 | VIS M6X10 DE LAMELLE ET SUPPORT RL1092BS | 4 |
| 22 | N309578517 | VIS M6X16 RL1092BS | 5 |
| 23 | N532150211 | CLIPS DE HARNAIS RL1092BS | 6 |
| 24 | N346211006 | BATTERIE 12V - 24Ah RL1092BS | 1 |



DEBROUSSAILLEUSE AUTOPORTEE ROQUES & LECŒUR RL1092BS 2019
(MOTEUR B & S PROFESSIONNAL SERIES 7220 - 22 HP - OHV - BI-CYLINDRE)

SCHEMA ELECTRIQUE

| N° | REFERENCES | DESIGNATIONS | Qté |
|----|------------|--------------------------------------|-----|
| 1 | N341271159 | HARNAIS ELECTRIQUE DE PHARE RL1092BS | 1 |
| 2 | N341271191 | FIL DE CONNECTION D'AMPOULE RL1092BS | 1 |
| 3 | N341271057 | CABLE DE MASSE DE BATTERIE RL1092BS | 1 |
| 4 | N341271059 | CABLE + DE BATTERIE RL1092BS | 1 |
| 5 | N341271189 | FAISCEAU ELECTRIQUE RL1092BS | 1 |
| 6 | N341271052 | DIODE DE PROTECTION RL1092BS | 1 |
| 7 | N341271192 | FIL DE SIGNAL NEUTRE RL1092BS | 1 |
| 8 | N341271193 | FIL DE COMMUTATEUR RL1092BS | 1 |



DEBROUSSAILLEUSE AUTOPORTEE ROQUES & LECŒUR RL1092BS 2019
(MOTEUR B & S PROFESSIONNAL SERIES 7220 - 22 HP - OHV - BI-CYLINDRE)

VASE D'EXPENSION

| N° | REFERENCES | DESIGNATIONS | Qté |
|----|---------------|---|-----|
| 1 | N532150558 | VASE D'EXPENSION 1 L RL1092BS | 1 |
| 2 | S532913463003 | SUPPORT DE VASE D'EXPENSION RL1092BS | 1 |
| 3 | N272392016 | TUYAU 9/5-16 DE VASE RL1092BS | 1 |
| 4 | N532150577 | CAPUCHON B-1045 RL1092BS | 1 |
| 5 | N309578517 | VIS M6X16 DE SUPPORT VASE RL1092BS | 2 |
| 6 | N311129525 | ECROU FREIN M6 DE COLLIER RL1092BS | 1 |
| 7 | S532082402033 | TUYAU DE BOITE RL1092BS | 1 |
| 8 | N309503551 | VIS M6X25 DE COLLIER RL1092BS | 1 |
| 9 | N548241016 | COLLIER DE SERRAGE 10-16 MM RL1092BS | 1 |
| 10 | N548241023 | CLIPS UM 5077 CTL 8.5 DE TUYAU RL1092BS | 1 |
| 11 | N548241026 | COLLIER DE SERRAGE 13-16 MM RL1092BS | 1 |
| 12 | N311120523 | ECROU M10X1 DE RACCORD RL1092BS | 1 |
| 13 | S532082472053 | RACCORD DE BOITE M10X1 RL1092BS | 1 |