

SANDORIGARDEN

ILLUSTRATED PARTS LIST

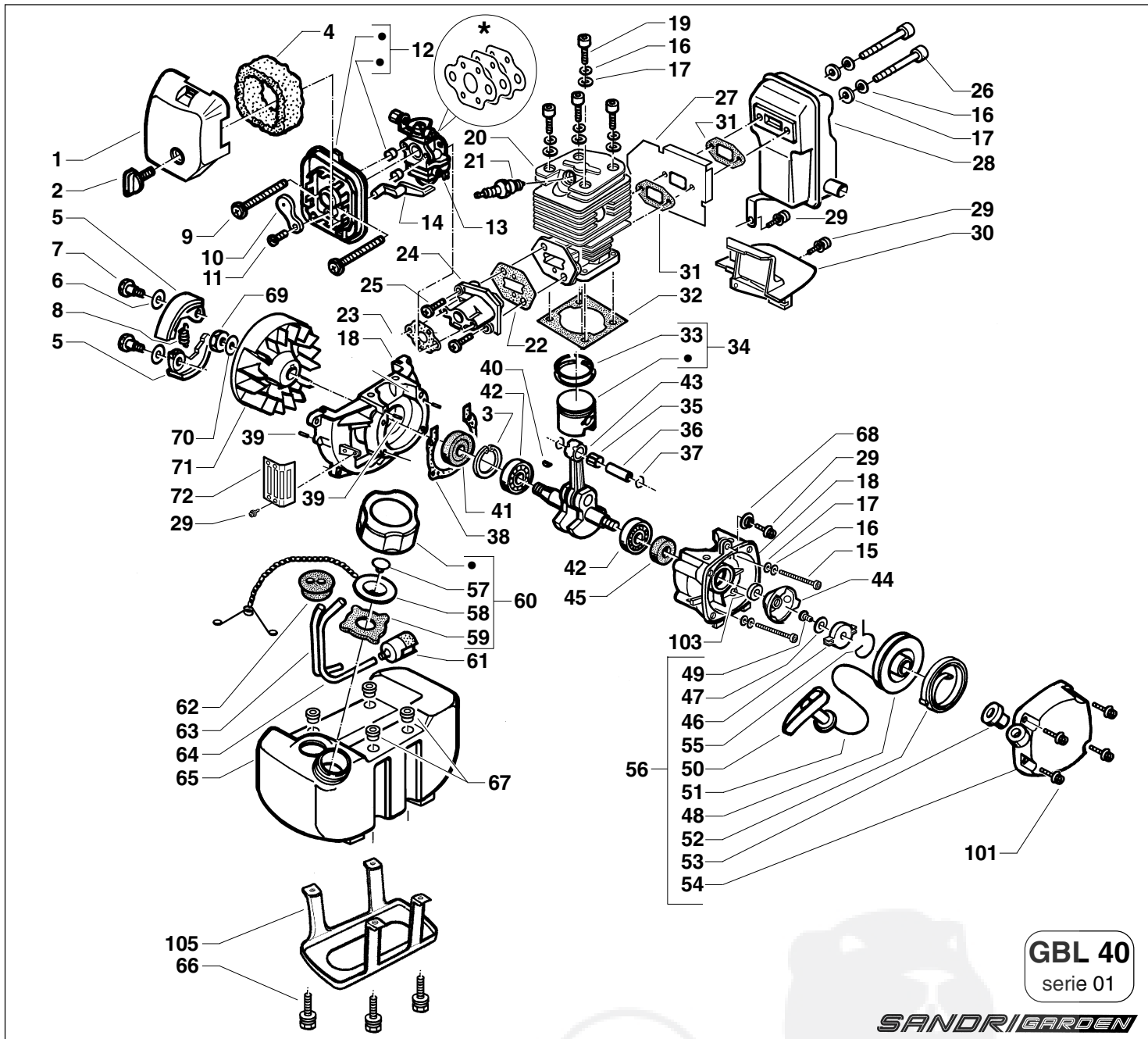
GARDEN  IDEA
GBL40



GBL 40

serie 01

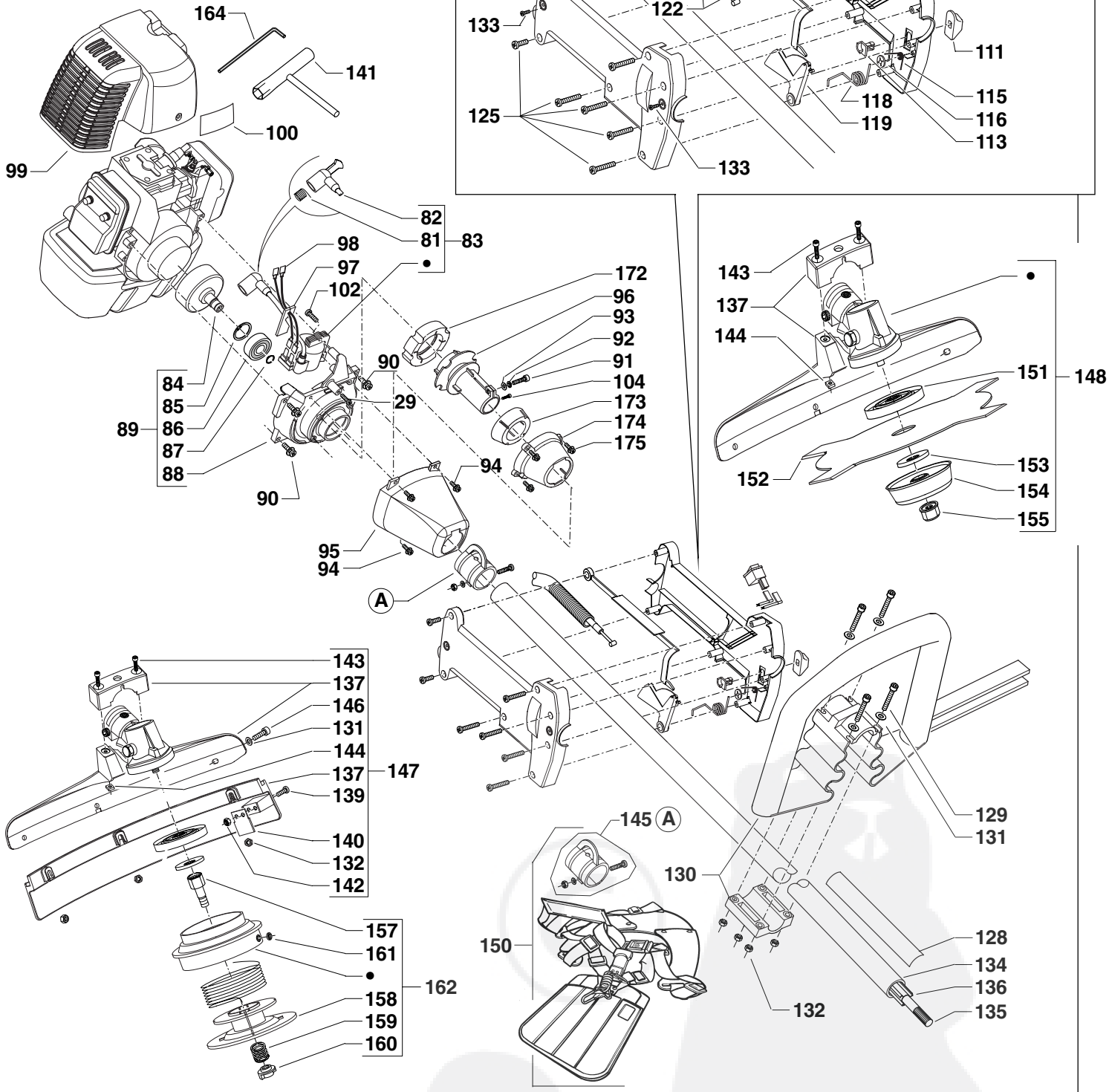




GBL 40
serie 01

SANDRIGARDEN

| POS. | CODICE | Q.TA | POS. | CODICE | Q.TA | POS. | CODICE | Q.TA | POS. | CODICE | Q.TA |
|------|---------|------|------|---------|------|------|---------|------|------|--------------------------|------|
| 1 | 2031250 | 1 | 28 | 2039770 | 1 | 55 | 2032010 | 1 | 90 | 1026190 | 4 |
| 2 | 2022800 | 1 | 29 | 1031790 | 5 | 56 | 2032000 | 1 | 91 | 1032160 | 1 |
| 3 | 1032090 | 1 | 30 | 2031800 | 1 | 57 | 2026060 | 1 | 92 | 1026210 | 1 |
| 4 | 2031200 | 1 | 31 | 2031810 | 2 | 58 | 2032020 | 1 | 93 | 144750 | 1 |
| 5 | 2031640 | 2 | 32 | 2031820 | 1 | 59 | 2032030 | 1 | 94 | 1026230 | 3 |
| 6 | 2031650 | 2 | 33 | 2039150 | 2 | 60 | 2032040 | 1 | 95 | 2027670 | 1 |
| 7 | 2031660 | 2 | 34 | 2039160 | 1 | 61 | 2033250 | 1 | 96 | 2027660 | 1 |
| 8 | 2031670 | 1 | 35 | 2031850 | 1 | 62 | 2026090 | 1 | 97 | 2020620 | 1 |
| 9 | 2022870 | 2 | 36 | 2039750 | 1 | 63 | 2026100 | 1 | 98 | 2026240 | - |
| 10 | 2031680 | 1 | 37 | 2031870 | 2 | 64 | 2032050 | 1 | 99 | 2037040 | |
| 11 | 2031690 | 1 | 38 | 2031880 | 1 | 65 | 2032970 | 1 | | Giallo/Yellow/Jaune/Gelb | |
| 12 | 2027570 | 1 | 39 | 2023150 | 4 | 66 | 2039740 | 4 | | RAL1021 | |
| 13 | 2033240 | 1 | 40 | 2023160 | 1 | 67 | 2032080 | 4 | | 2034970 | |
| 14 | 2031700 | 1 | 41 | 2031910 | 1 | 68 | 2032100 | 1 | | Blu/Blue/Bleu/Blau | |
| 15 | 2031710 | 4 | 42 | 2031890 | 2 | 69 | 1032110 | 1 | | RAL5010 | |
| 16 | 1022930 | 10 | 43 | 2031900 | 1 | 70 | 1026370 | 1 | | 2034960 | |
| 17 | 1022840 | 10 | 44 | 2031920 | 1 | 71 | 2032120 | 1 | | Rosso/Red/Rouge/Rot | |
| 18 | 2031720 | 1 | 45 | 2023170 | 1 | 72 | 2032130 | 1 | | RAL3020 | |
| 19 | 1031730 | 4 | 46 | 2031990 | 1 | 81 | 2026150 | 1 | 100 | 6026220 | 1 |
| 20 | 2039140 | 1 | 47 | 2031930 | 1 | 82 | 2032950 | 1 | 101 | 1032140 | 4 |
| 21 | 2022980 | 1 | 48 | 2031940 | 1 | 83 | 2032200 | 1 | 102 | 1023060 | 2 |
| 22 | 2031750 | 1 | 49 | 2031950 | 1 | 84 | 2033020 | 1 | 103 | 2032170 | 1 |
| 23 | 2022990 | 1 | 50 | 2023260 | 1 | 85 | 1027730 | 1 | 104 | 1020920 | 1 |
| 24 | 2031760 | 1 | 51 | 2031960 | 1 | 86 | 2027740 | 1 | 105 | 2032960 | 1 |
| 25 | 1031780 | 2 | 52 | 2031970 | 1 | 87 | 1027720 | 1 | | (*) 2023000 | - |
| 26 | 1031770 | 2 | 53 | 2031980 | 1 | 88 | 2027610 | 1 | | MEMBRANE KIT (WJY) | |
| 27 | 2039760 | 1 | 54 | 2027690 | 1 | 89 | 2032150 | 1 | | DIAPHRAGMS KIT (WJY) | |



| POS. | CODICE | Q.TA | POS. | CODICE | Q.TA | POS. | CODICE | Q.TA | POS. | CODICE | Q.TA |
|------|---------|------|------|---------|------|------|---------|------|------|---------|------|
| 111 | 2020450 | 1 | 126 | ----- | -- | 141 | 2020940 | 1 | 156 | ----- | -- |
| 112 | ----- | -- | 127 | ----- | -- | 142 | 146400 | 2 | 157 | 2039270 | 1 |
| 113 | 2020440 | 1 | 128 | 6021370 | 1 | 143 | 1026400 | 4 | 158 | 2026270 | 1 |
| 114 | ----- | 1 | 129 | 1020950 | 4 | 144 | 1026410 | 2 | 159 | 2026280 | 1 |
| 115 | 2020460 | 1 | 130 | 2033230 | 1 | 145 | 2039210 | 1 | 160 | 2026290 | 1 |
| 116 | 140040 | 1 | 131 | 152120 | 7 | 146 | 1026420 | 3 | 161 | 2026300 | 2 |
| 117 | 2033090 | 1 | 132 | 140300 | 9 | 147 | 2039220 | 1 | 162 | 2033280 | 1 |
| 118 | 2020640 | 1 | 133 | 2039730 | 1 | 148 | 2033270 | 1 | 163 | ----- | -- |
| 119 | 2033000 | 1 | 134 | 2033170 | 1 | 149 | ----- | -- | 164 | 2039280 | 1 |
| 120 | 2033010 | 1 | 135 | 2033190 | 1 | 150 | 2033290 | 1 | 172 | 2027640 | 1 |
| 121 | 2020840 | 1 | 136 | 2039190 | 1 | 151 | 2039230 | 1 | 173 | 2027630 | 1 |
| 122 | 2033300 | 1 | 137 | 2033210 | 1 | 152 | 2021240 | 1 | 174 | 2027620 | 1 |
| 123 | ----- | -- | 138 | ----- | 1 | 153 | 2039240 | 1 | 175 | 1032190 | 4 |
| 124 | ----- | -- | 139 | 1021100 | 2 | 154 | 2039250 | 1 | | | |
| 125 | 1020820 | 7 | 140 | 2021180 | 1 | 155 | 2039260 | 1 | | | |

6039790/034

SANDRIGARDEN s.r.l.

Sede legale: via Manzoni, 22 - 36027 - ROSÀ (VI) - ITALIA

Uffici: via Verdi, 13 - 23847 - MOLTENO (LC) - ITALIA Tel.031/3570411 - fAX.031/35704435

