



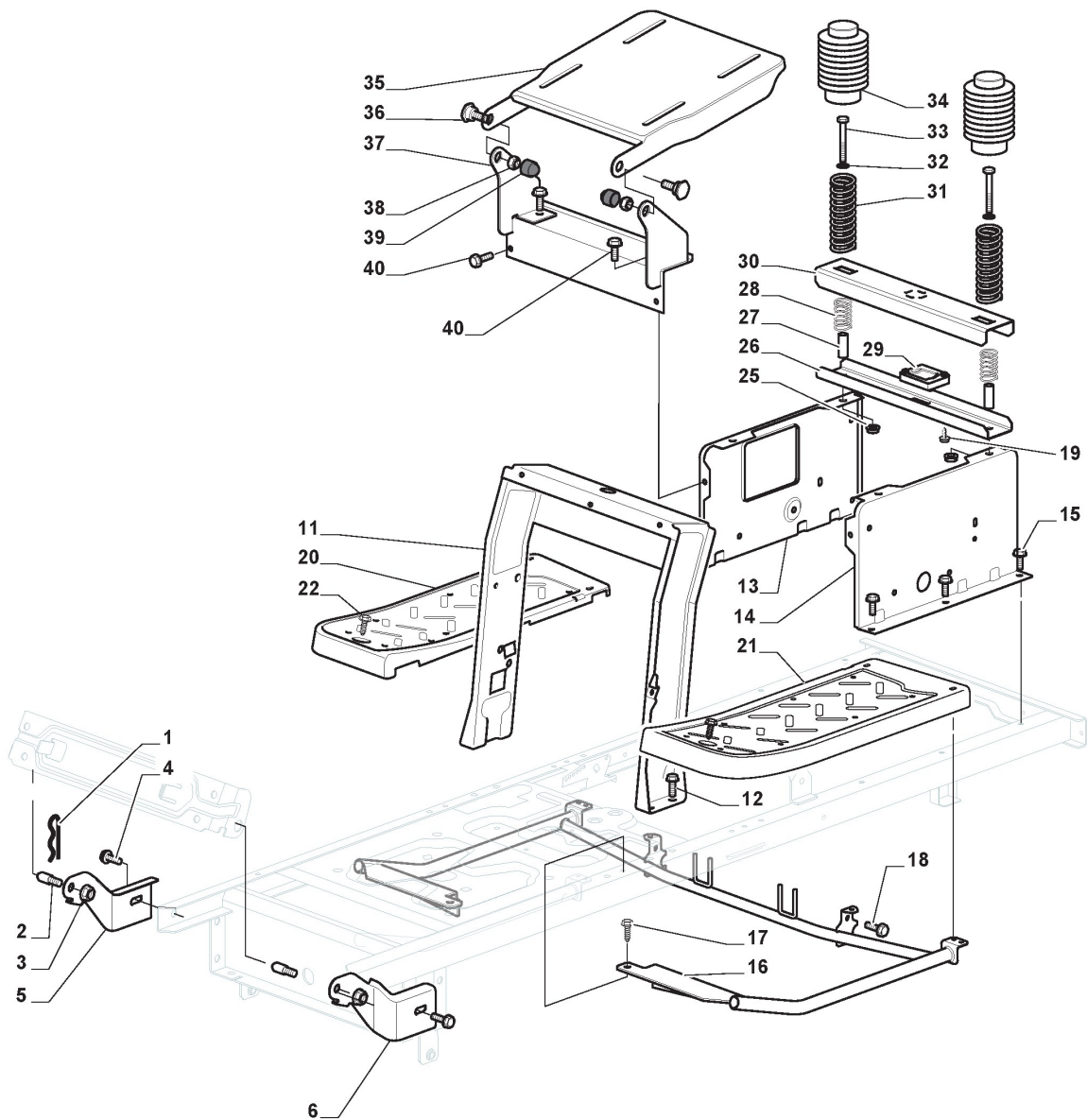
L 135BM (2018)

2T0521273/SBR

Spare parts list Reservdelar Repuestos Ersatzteile Pièces détachées Reserve onderdelen Catalogo ricambi

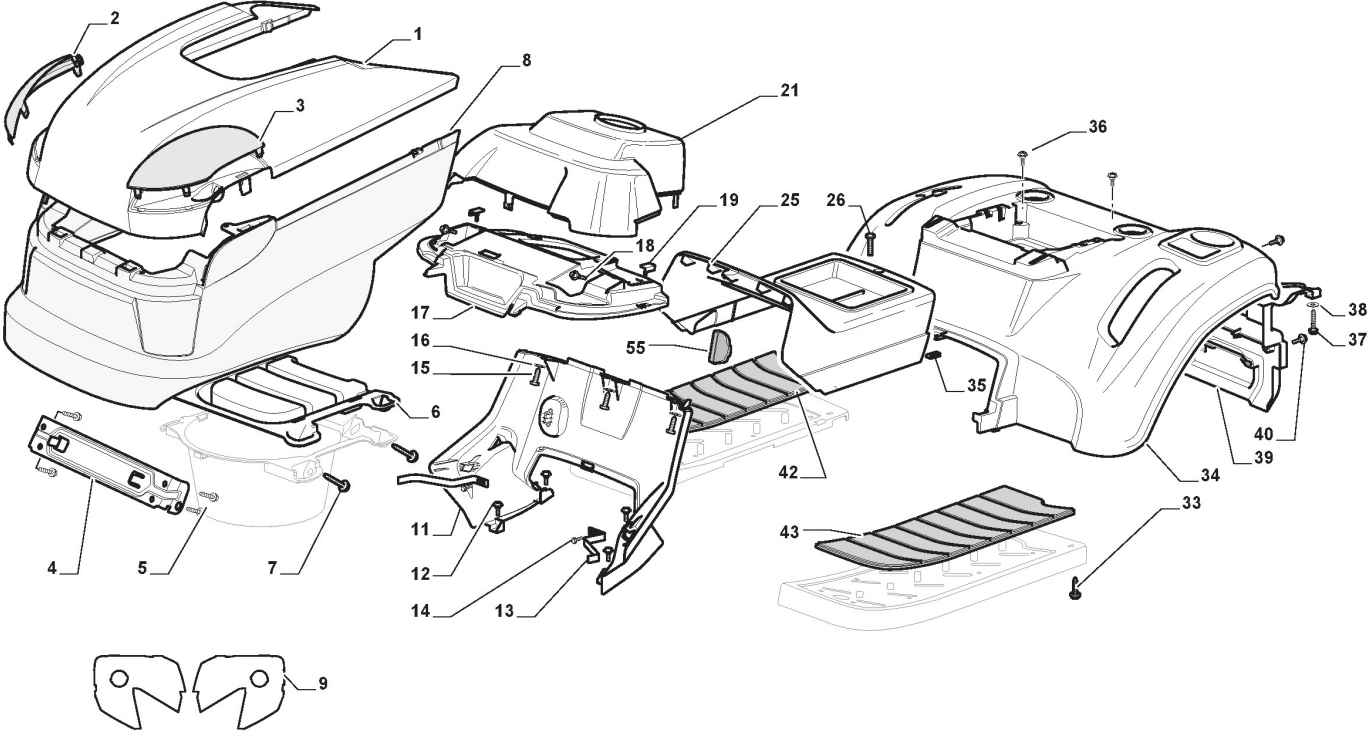
- Use ST. S.p.A. Genuine Spare Parts specified in the parts list for repair and/or replacement.
- The contents described in the parts list may change due to improvement.
- The drawings of the spare parts are only indicative And might Not represent the part in question exactly.
- The indications "right" - "left" - "front" - "rear" refer to the position of the operator when using the machine.
- When placing orders of parts for repair And/Or replacement, make sure that the illustrated parts list Is the one applying to the machine's year of manufacture, as shown on the identification plate attached to the machine.

All rights reserved. No part Of this material may be reproduced Or transmitted, in any form Or by any means, electronic Or mechanical, including photocopying, recording Or by any information storage And retrieval system, without permission in writing from ST. S.p.A.



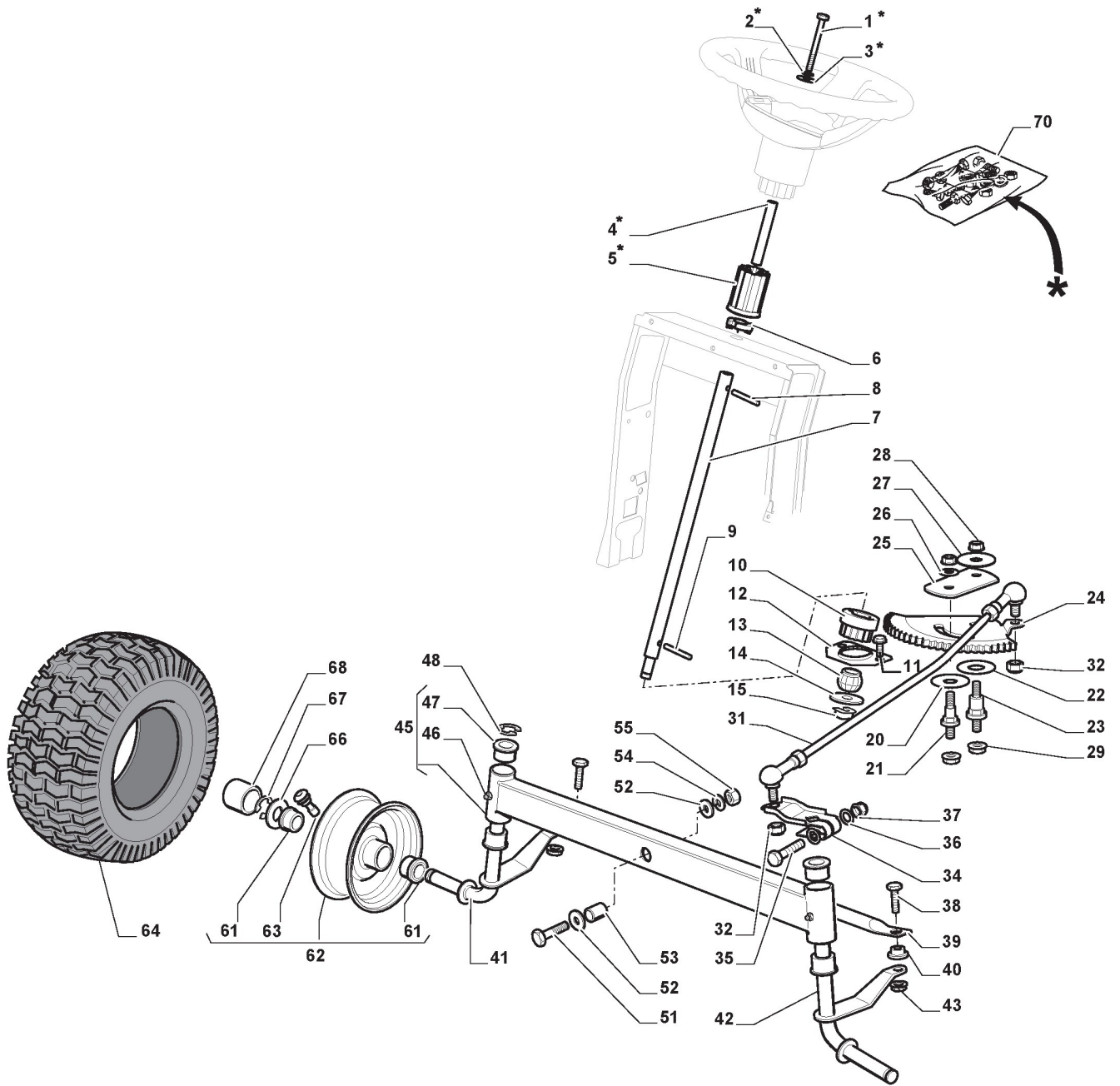
Chassis

| Réf. N° | Q.té : | Code article | Description | Articles | De | Jusqu'à |
|---------|--------|--------------|---------------------------|------------------------|----|---------|
| 1 | 1 | 124487998/0 | Goupille | | | |
| 2 | 2 | 125510079/1 | Pivot | | | |
| 3 | 2 | 112154210/0 | Ecrou | To 31-august-2013 | | |
| 3 | 2 | 112155000/0 | Ecrou | From 01-september-2013 | | |
| 4 | 2 | 112735599/0 | Vis | | | |
| 5 | 1 | 325547225/0 | Plaquette Droit | | | |
| 6 | 1 | 325547227/0 | Plaquette Gauche | | | |
| 11 | 1 | 382785169/1 | Support Tube De Direction | | | |
| 12 | 4 | 125943009/0 | Vis | | | |
| 13 | 1 | 325785331/1 | Support Siege Droit | | | |
| 14 | 1 | 325785333/1 | Support Siege Gauche | | | |
| 15 | 6 | 125943009/0 | Vis | | | |
| 16 | 1 | 382785179/0 | Support Marchepied | | | |
| 17 | 2 | 125943009/0 | Vis | | | |
| 18 | 2 | 125943009/0 | Vis | | | |
| 19 | 2 | 112728686/0 | Vis | | | |
| 20 | 1 | 325500041/1 | Marchepied Droit | | | |
| 21 | 1 | 325500043/1 | Marchepied Gauche | | | |
| 22 | 2 | 112735599/0 | Vis | | | |
| 25 | 2 | 112293201/0 | Ecrou | | | |
| 26 | 1 | 325820109/0 | Support Siege | | | |
| 26 | 1 | 325820109/1 | Support Siege | | | |
| 27 | 2 | 125160048/0 | Entretoise | | | |
| 28 | 2 | 125430263/0 | Ressort | | | |
| 29 | 1 | 325785379/0 | Support | To 31-august-2013 | | |
| 29 | 1 | 325785379/1 | Support | From 01-september-2013 | | |
| 30 | 1 | 325820111/1 | Switch Comand Cross | | | |
| 31 | 2 | 125430264/0 | Ressort | | | |
| 32 | 2 | 112521350/0 | Rondelle | | | |
| 33 | 2 | 112691400/0 | Vis | | | |
| 34 | 2 | 325122002/0 | Protecteur | | | |
| 35 | 1 | 382547061/0 | Plaquette | | | |
| 36 | 2 | 122524970/2 | Pivot | To 31-august-2014 | | |
| 36 | 2 | 122524970/3 | Goupille | From 01-september-2014 | | |
| 37 | 1 | 382820151/0 | Support Siege | | | |
| 38 | 2 | 112155010/0 | Ecrou | | | |
| 39 | 2 | 118203854/0 | Capot | | | |
| 40 | 4 | 125943009/0 | Vis | | | |



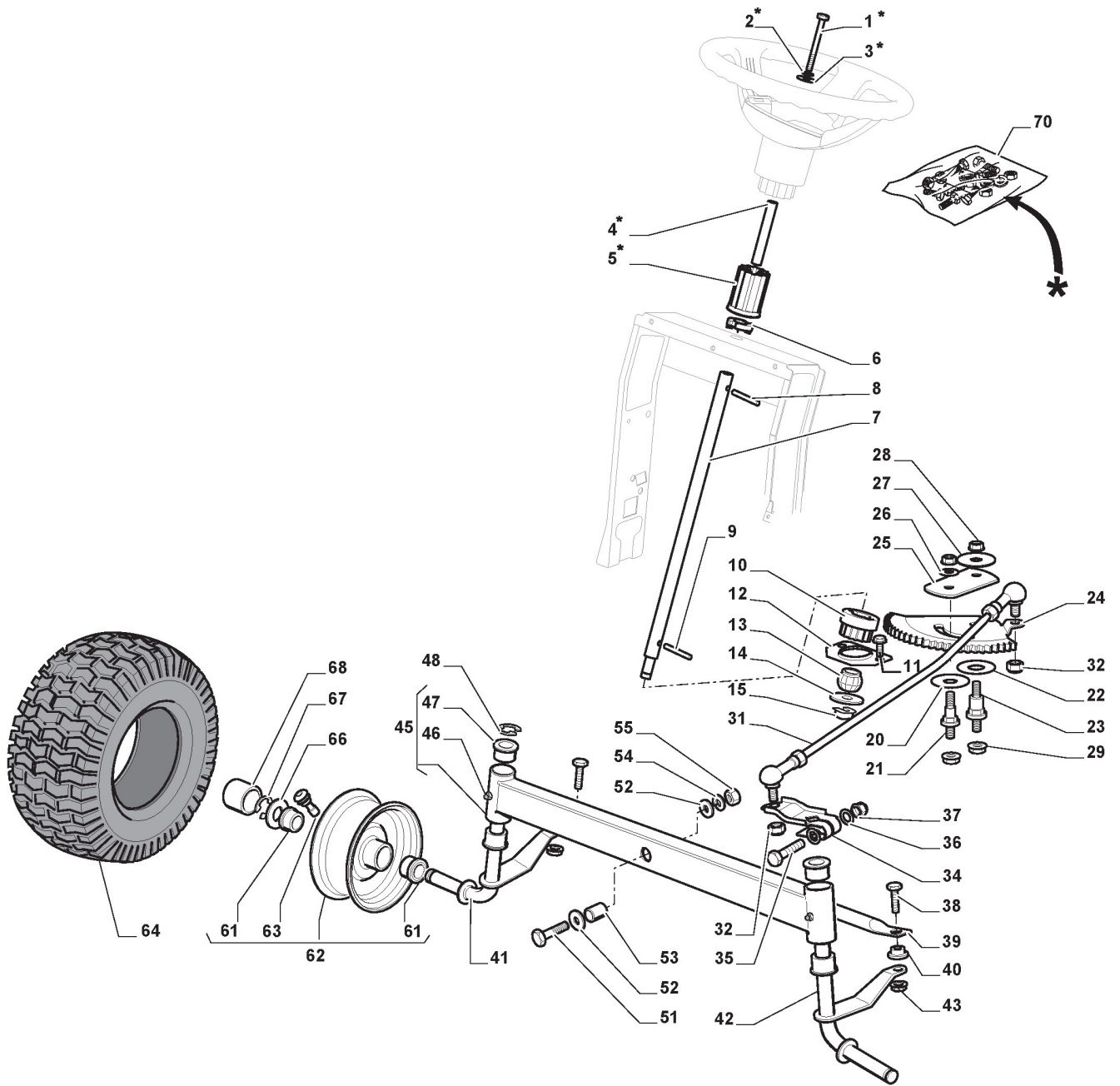
Carrosserie

| Réf. N° | Q.té : | Code article | Description | Articles | De | Jusqu'à |
|---------|--------|--------------|----------------------------|--|----|---------|
| 1 | 1 | 325076980/0 | Capot Rouge | | | |
| 2 | 1 | 325410901/0 | Panneau Droit | | | |
| 3 | 1 | 325410902/0 | Panneau Gauche | | | |
| 4 | 1 | 325785365/0 | Support Capot | | | |
| 5 | 4 | 112735403/0 | Vis | | | |
| 6 | 1 | 325263302/1 | Capot avant noir | | | |
| 7 | 4 | 112728692/0 | Vis | | | |
| 8 | 1 | 325076911/0 | Capot Inferieure | To 31-august-2013 | | |
| 8 | 1 | 325076911/1 | Capot Inferieure | From 01-september-2013 | | |
| 9 | 2 | 114363452/0 | Autocollant Parabole Phare | | | |
| 9 | 1 | 114365476/1 | Autocollant Parabole Phare | | | |
| 11 | 1 | 325785298/0 | Support Tableau Comm. | | | |
| 12 | 4 | 125943010/0 | Vis | | | |
| 13 | 2 | 325270325/0 | Guide | | | |
| 14 | 2 | 112735599/0 | Vis | | | |
| 15 | 3 | 112735406/0 | Vis | | | |
| 16 | 3 | 112523040/0 | Rondelle | | | |
| 17 | 1 | 325120202/1 | Console | To 31-august-2011 | | |
| 17 | 1 | 325120209/0 | Console | From 01-september-2011 To 31-august-2014 | | |
| 17 | 1 | 325120259/0 | Console | From 01-september-2014 To 31-august-2015 | | |
| 17 | 1 | 325120259/1 | Console | From 01-september-2015 To 31-august-2017 | | |
| 17 | 1 | 325120259/2 | Console | From 01-september-2017 | | |
| 18 | 2 | 125943010/0 | Vis | | | |
| 19 | 2 | 325260003/0 | Caoutchouc | | | |
| 21 | 1 | 325120203/0 | Couvercle | | | |
| 25 | 1 | 325110478/0 | Couvre Central Rouge | | | |
| 26 | 1 | 125943010/0 | Vis | | | |
| 33 | 4 | 112735406/0 | Vis | | | |
| 34 | 1 | 325110477/0 | Couvre Roues Rouge | | | |
| 35 | 1 | 112437506/0 | Plaquette | | | |
| 36 | 2 | 125943010/0 | Vis | | | |
| 37 | 2 | 112735406/0 | Vis | | | |
| 38 | 2 | 112523040/0 | Rondelle | | | |
| 39 | 1 | 325547208/1 | Plaquette | To 31-august-2013 | | |
| 39 | 1 | 325547208/2 | Plaquette | From 01-september-2013 | | |
| 40 | 2 | 125943010/0 | Vis | | | |
| 42 | 1 | 325110384/0 | Couvre Marchepied Droit | | | |
| 43 | 1 | 325110385/0 | Couvre Marchepied Gauche | | | |
| 55 | 1 | 325207191/0 | Plaquette | | | |



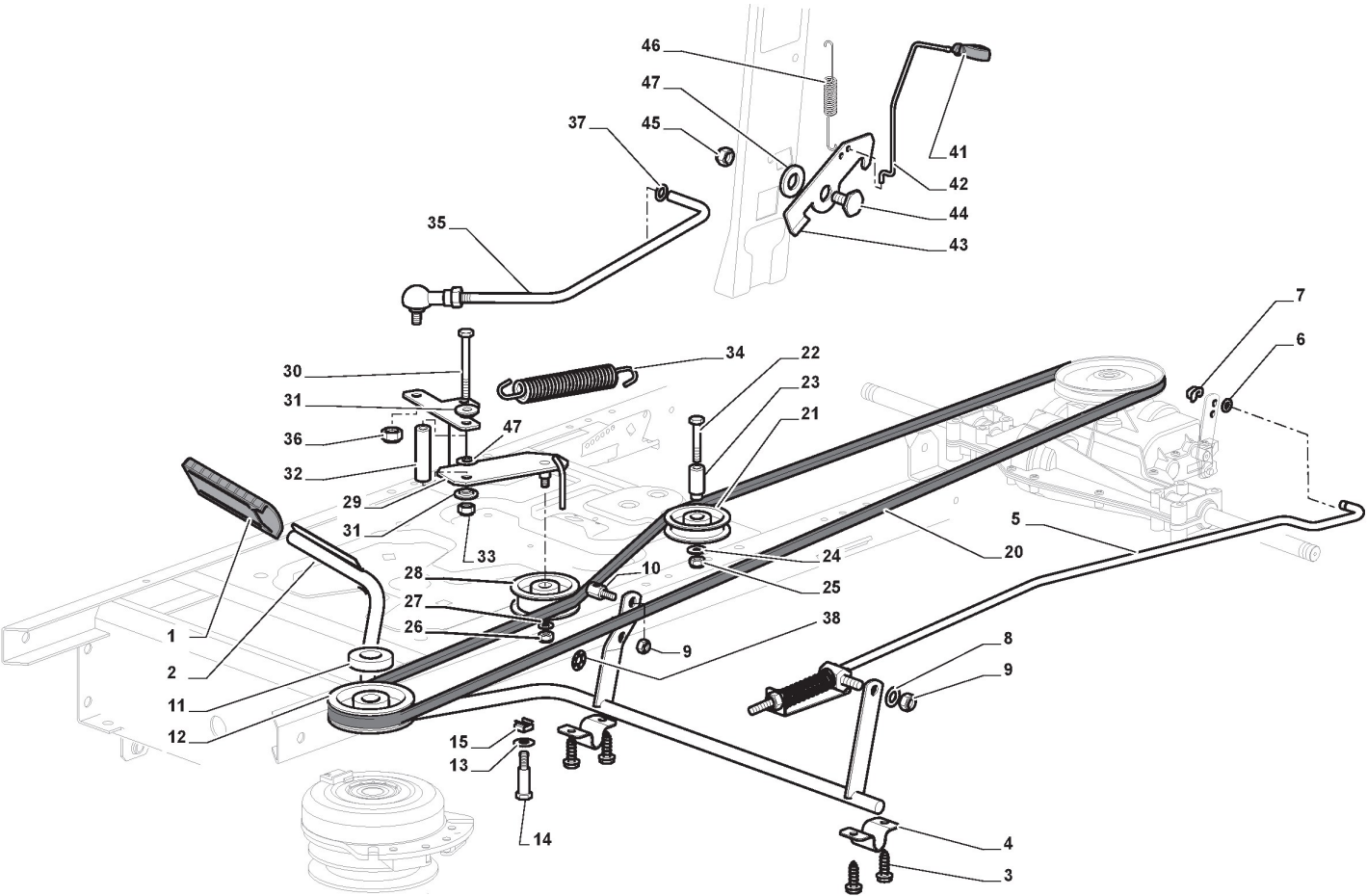
Barre De Direction

| Réf. N° | Q.té : | Code article | Description | Articles | De | Jusqu'à |
|---------|--------|--------------|-------------------------------------|------------------------|----|---------|
| 1 | 1 | 112692050/0 | Vis | | | |
| 2 | 1 | 112540260/0 | Rondelle | | | |
| 3 | 1 | 112523070/0 | Rondelle | | | |
| 4 | 1 | 125160047/0 | Entretoise | | | |
| 5 | 1 | 325785318/0 | Support | | | |
| 6 | 1 | 325038008/0 | Douille | | | |
| 7 | 1 | 125520007/0 | Tube De Direction | | | |
| 8 | 1 | 112620300/0 | Ressort | | | |
| 9 | 1 | 112622650/0 | Goupille | | | |
| 10 | 1 | 125570003/0 | Pignon | | | |
| 11 | 2 | 127943051/0 | Vis | | | |
| 12 | 1 | 325785213/1 | Support | | | |
| 13 | 1 | 325743000/0 | Joint | | | |
| 14 | 1 | 112521370/0 | Rondelle | | | |
| 15 | 1 | 112436030/0 | Plaquette | | | |
| 20 | 1 | 322672151/0 | Rondelle Antifricion | | | |
| 21 | 1 | 125510104/0 | Pivot | | | |
| 22 | 1 | 125670023/0 | Rondelle | | | |
| 23 | 1 | 125510109/0 | Pivot | | | |
| 24 | 1 | 325735519/0 | Secteur Direction | | | |
| 25 | 1 | 325547233/0 | Plaquette | | | |
| 26 | 1 | 112369500/0 | Disque Elastique | | | |
| 27 | 1 | 122160400/0 | Disque Elastique | | | |
| 28 | 2 | 112155010/0 | Ecrou | | | |
| 29 | 2 | 112154210/0 | Ecrou | | | |
| 31 | 1 | 382000566/1 | Barre De Direction | | | |
| 32 | 2 | 112156602/0 | Ecrou | | | |
| 34 | 1 | 325318243/0 | Levier | | | |
| 35 | 1 | 112692390/0 | Vis | | | |
| 36 | 2 | 112521360/0 | Rondelle | | | |
| 37 | 1 | 112156602/0 | Ecrou | | | |
| 38 | 2 | 125510103/0 | Pivot | | | |
| 39 | 1 | 325840029/0 | Tirant | | | |
| 40 | 2 | 325038007/0 | Douille | | | |
| 41 | 1 | 382230373/0 | Fuseau Droit | | | |
| 42 | 1 | 382230375/0 | Fuseau Gauche | | | |
| 43 | 2 | 112155000/0 | Ecrou | | | |
| 45 | 1 | 382034030/0 | Balancier Avec Douille Et Graisseur | | | |
| 46 | 2 | 112379511/0 | Graisseur | | | |
| 47 | 4 | 125034002/1 | Douille | | | |
| 48 | 1 | 112001010/0 | Anneau Benzing | | | |
| 51 | 1 | 112692695/0 | Vis | | | |
| 52 | 2 | 112523100/0 | Rondelle | | | |
| 53 | 1 | 125160016/0 | Entretoise | To 31-august-2013 | | |
| 53 | 1 | 125160016/1 | Entretoise | From 01-september-2013 | | |
| 54 | 1 | 112587100/0 | Grower | | | |
| 55 | 1 | 112295300/0 | Ecrou | | | |
| 61 | 4 | 125122200/2 | Roulement | | | |



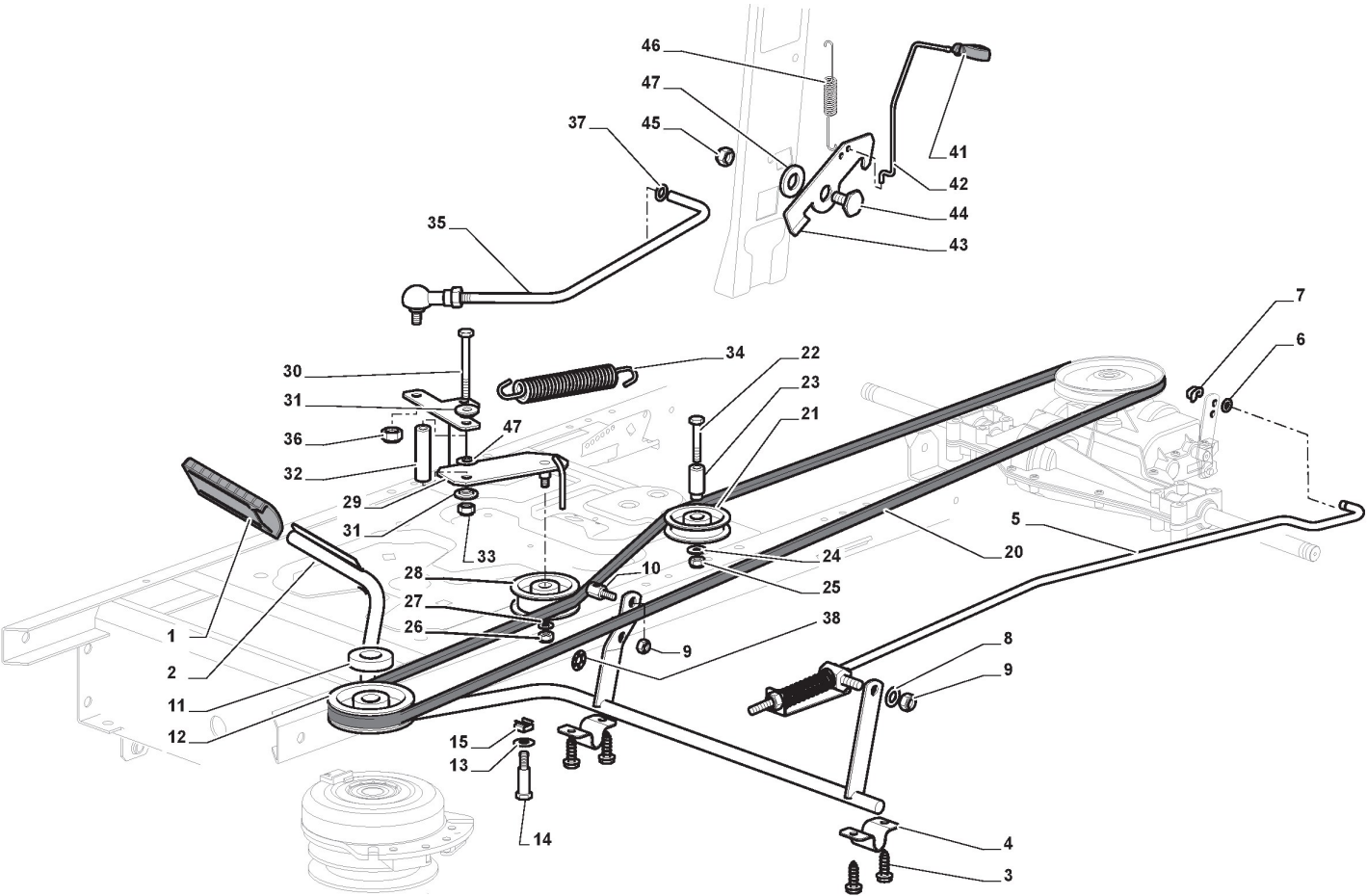
Barre De Direction

| Réf. N° | Q.té : | Code article | Description | Articles | De | Jusqu'à |
|---------|--------|--------------|---------------------------|--|----|---------|
| 62 | 2 | 182000598/0 | Bandage Roue | | | |
| 63 | 2 | 125950000/0 | Vanne | | | |
| 64 | 2 | 125590019/0 | Pneu 15x6.00-6 P512 WANDA | For other ST Brand;From 01-september-2016 | | |
| 64 | 2 | 127590066/0 | Pneu 15x6.00-6 WANDA | For other ST Brand;To 31-august-2015 | | |
| 66 | 2 | 125670005/1 | Rondelle | To 31-august-2014 | | |
| 66 | 2 | 125670005/2 | Rondelle | From 01-september-2014 | | |
| 66 | 2 | 125670005/2 | Rondelle | From 01-september-2014 | | |
| 67 | 2 | 112001010/0 | Anneau Benzing | | | |
| 68 | 2 | 322110233/0 | Couvre Moyeu | | | |
| 70 | 1 | 382180124/0 | Dotation Visserie | | | |



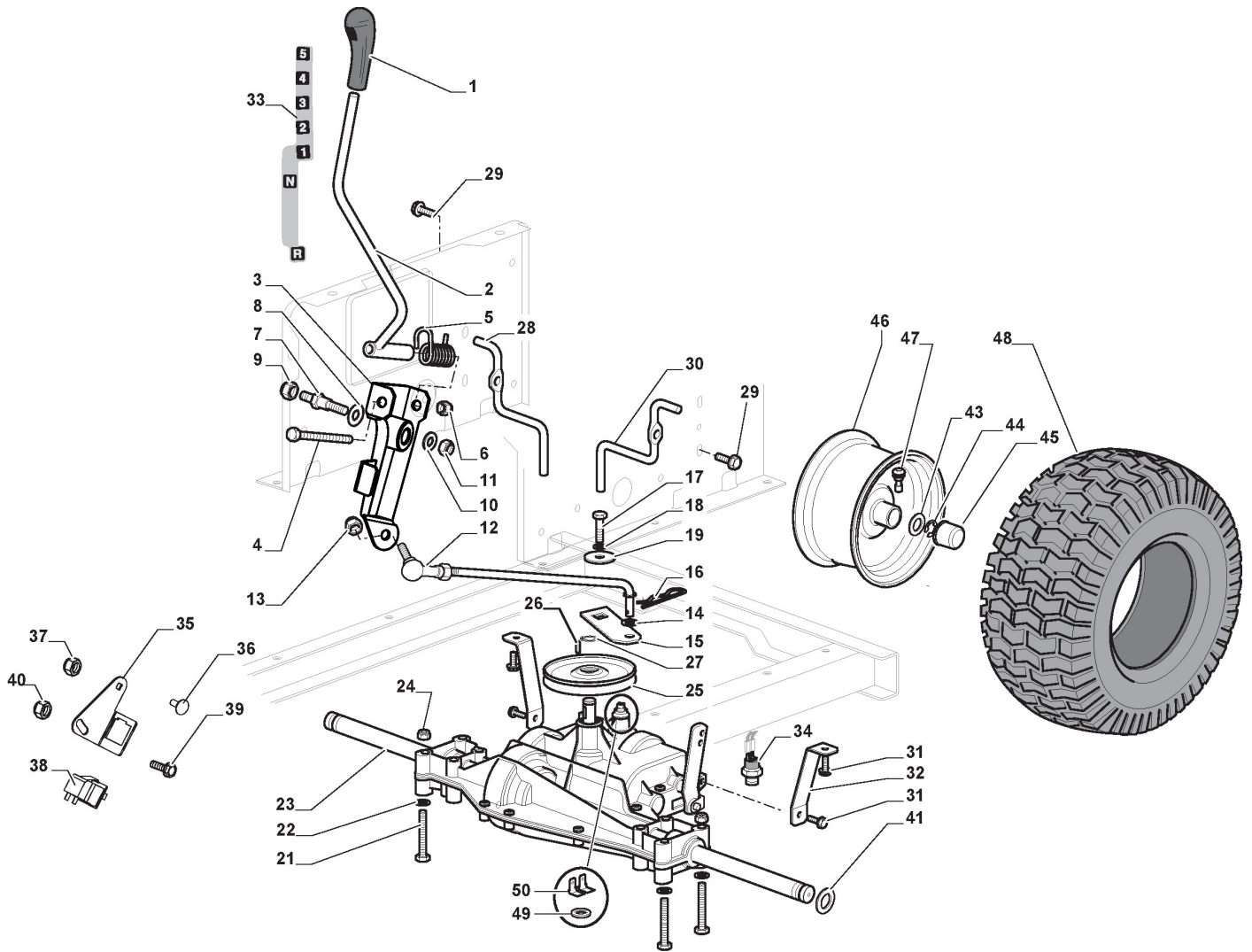
Commande Frein Et Boite De Vitesse

| Réf. N° | Q.té : | Code article | Description | Articles | De | Jusqu'à |
|---------|--------|--------------|----------------------------|------------------------|----|---------|
| 1 | 1 | 325110391/0 | Couvre Etrier | | | |
| 2 | 1 | 382500047/0 | Pedal | To 31-august-2014 | | |
| 2 | 1 | 382500047/1 | Pedal | From 01-september-2014 | | |
| 3 | 4 | 112735599/0 | Vis | | | |
| 4 | 2 | 325547231/0 | Plaquette | | | |
| 5 | 1 | 382000568/0 | Tige | | | |
| 6 | 1 | 112521350/0 | Rondelle | | | |
| 7 | 1 | 112436050/0 | Plaquette | | | |
| 8 | 1 | 325670011/0 | Rondelle Antifriction | | | |
| 9 | 1 | 112155000/0 | Ecrou | | | |
| 10 | 1 | 125510116/0 | Pivot | | | |
| 10 | 1 | 125510116/0 | Pivot | | | |
| 11 | 1 | 125160021/0 | Entretoise | | | |
| 12 | 1 | 125601567/0 | Poulie | | | |
| 13 | 2 | 112524010/0 | Rondelle | | | |
| 14 | 2 | 125580030/0 | Cheville Guide De Courroie | | | |
| 15 | 2 | 112360425/0 | Ecrou | | | |
| 20 | 1 | 135062014/0 | Courroie | | | |
| 21 | 1 | 125601555/0 | Poulie | To 31-august-2013 | | |
| 21 | 1 | 325601599/0 | Poulie | From 01-september-2013 | | |
| 22 | 1 | 112691400/0 | Vis | | | |
| 23 | 1 | 125160051/0 | Entretoise | To 31-august-2013 | | |
| 23 | 1 | 125160083/0 | Entretoise | From 01-september-2013 | | |
| 24 | 1 | 112523060/0 | Rondelle | | | |
| 25 | 1 | 112155000/0 | Ecrou | | | |
| 26 | 1 | 112155000/0 | Ecrou | | | |
| 27 | 1 | 112523060/0 | Rondelle | | | |
| 28 | 1 | 125601554/0 | Poulie | | | |
| 29 | 1 | 382318283/0 | Levier | | | |
| 30 | 1 | 112691600/0 | Vis | | | |
| 31 | 2 | 125038002/1 | Douille | To 31-august-2016 | | |
| 31 | 2 | 125038021/0 | Douille | From 01-september-2016 | | |
| 32 | 1 | 125160027/0 | Entretoise | | | |
| 33 | 1 | 112155000/0 | Ecrou | | | |
| 34 | 1 | 125430262/0 | Ressort | | | |
| 35 | 1 | 382820016/1 | Ens. Tirant | | | |
| 36 | 1 | 112293201/0 | Ecrou | | | |
| 37 | 1 | 112521350/0 | Rondelle | To 31-august-2013 | | |
| 37 | 1 | 124487997/0 | Goupille | From 01-september-2013 | | |
| 38 | 1 | 112604899/0 | Fixateur A Couronne | | | |
| 41 | 1 | 125394509/1 | Poignée | From 01-september-2013 | | |
| 41 | 1 | 325394534/0 | Poignée | To 31-august-2013 | | |
| 42 | 1 | 125033083/0 | Tige | To 31-august-2013 | | |
| 42 | 1 | 125033113/0 | Tige | From 01-september-2013 | | |
| 43 | 1 | 325253011/1 | Accrochage | | | |
| 44 | 1 | 122524970/2 | Pivot | To 31-august-2014 | | |
| 44 | 1 | 122524970/3 | Goupille | From 01-september-2014 | | |
| 45 | 1 | 112155000/0 | Ecrou | | | |



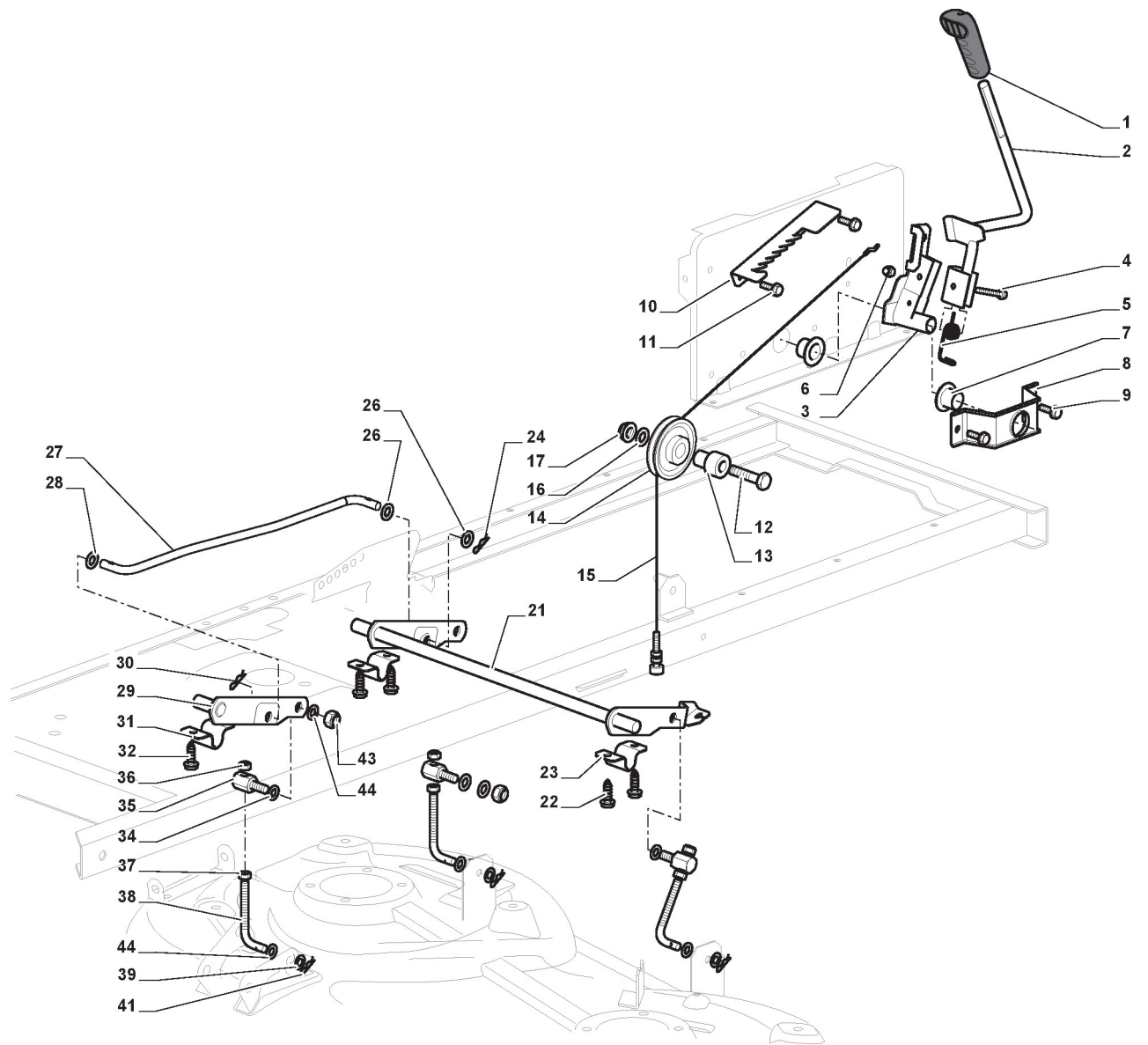
Commande Frein Et Boite De Vitesse

| Réf. N° | Q.té : | Code article | Description | Articles | De | Jusqu'à |
|---------|--------|--------------|-------------|----------|----|---------|
| 46 | 1 | 125430213/0 | Ressort | | | |
| 47 | 1 | 112523060/0 | Rondelle | | | |



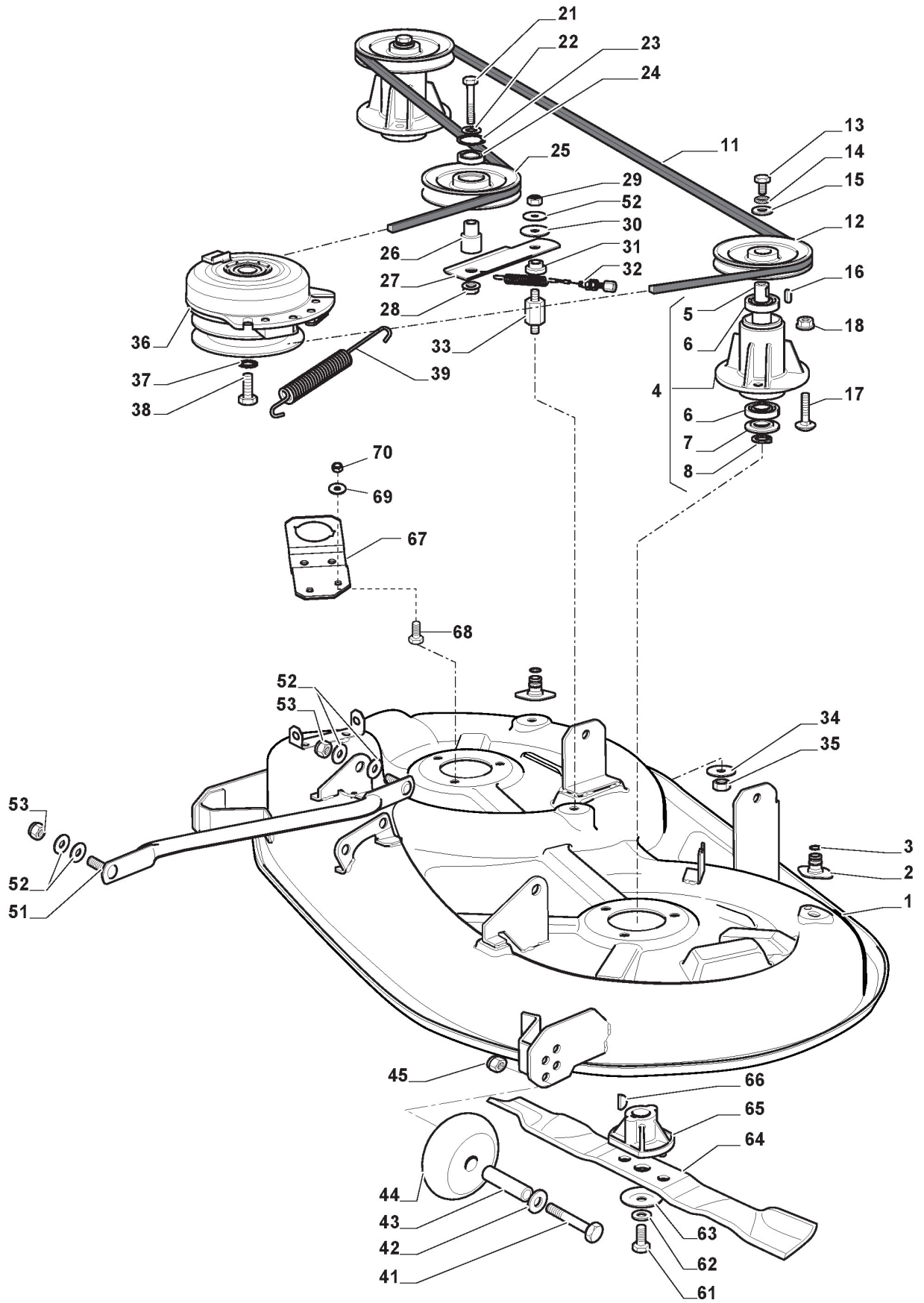
Transmission

| Réf. N° | Q.té : | Code article | Description | Articles | De | Jusqu'à |
|---------|--------|--------------|---------------------------|--|----|---------|
| 1 | 1 | 325394532/0 | Poignée | | | |
| 2 | 1 | 382318233/0 | Levier | | | |
| 3 | 1 | 382774259/1 | Etrier | | | |
| 4 | 1 | 112692050/0 | Vis | | | |
| 5 | 1 | 125430226/0 | Ressort | | | |
| 6 | 1 | 112155000/0 | Ecrou | | | |
| 7 | 1 | 125510035/0 | Pivot | | | |
| 8 | 1 | 322672151/0 | Rondelle Antifriction | | | |
| 9 | 1 | 112293201/0 | Ecrou | | | |
| 10 | 1 | 112523060/0 | Rondelle | | | |
| 11 | 1 | 112155010/0 | Ecrou | | | |
| 12 | 1 | 382000567/0 | Tige | | | |
| 13 | 1 | 112154210/0 | Ecrou | | | |
| 14 | 1 | 112521340/0 | Rondelle | | | |
| 15 | 1 | 325318235/0 | Levier | | | |
| 16 | 1 | 112141418/0 | Goupille | | | |
| 17 | 1 | 112735520/0 | Vis | | | |
| 18 | 1 | 112540040/0 | Rondelle | | | |
| 19 | 1 | 322680009/0 | Rondelle | | | |
| 21 | 4 | 112691600/0 | Vis | | | |
| 22 | 4 | 112521350/0 | Rondelle | | | |
| 23 | 1 | 118400910/3 | Transmission | | | |
| 24 | 4 | 112155000/0 | Ecrou | | | |
| 25 | 1 | 182601509/0 | Poulie | | | |
| 26 | 1 | 112139430/0 | Languette | | | |
| 27 | 1 | 112608950/0 | Seeger | | | |
| 28 | 1 | 125270329/0 | Guide Curroire | | | |
| 29 | 2 | 112735599/0 | Vis | | | |
| 30 | 1 | 125270330/0 | Guide Curroire | | | |
| 31 | 4 | 125943009/0 | Vis | | | |
| 32 | 2 | 325785315/0 | Support | | | |
| 33 | 1 | 114363451/0 | Etiquette | | | |
| 34 | 1 | 119410608/1 | Micro. Point Mort (Mec.) | | | |
| 35 | 1 | 325785483/0 | Support | | | |
| 36 | 2 | 112815200/0 | Vis | | | |
| 37 | 2 | 112154510/0 | Ecrou | | | |
| 38 | 1 | 119410614/0 | Microinterrupteur | | | |
| 39 | 2 | 112792611/0 | Vis | | | |
| 40 | 2 | 112155000/0 | Ecrou | | | |
| 41 | 2 | 125670005/2 | Rondelle | | | |
| 43 | 6 | 125670005/2 | Rondelle | | | |
| 44 | 2 | 112001010/0 | Anneau Benzing | | | |
| 45 | 2 | 322110233/0 | Couvre Moyeu | | | |
| 46 | 2 | 382000597/0 | Bandage Roue Arriere | | | |
| 47 | 2 | 125950000/0 | Vanne | | | |
| 48 | 2 | 125590015/0 | Pneu 18x8.50-8 P332 WANDA | | | |
| 49 | 2 | 112540221/0 | Rondelle | | | |
| 50 | 2 | 133800001/0 | Faston Terminal | No more supplied with the transmission | | |



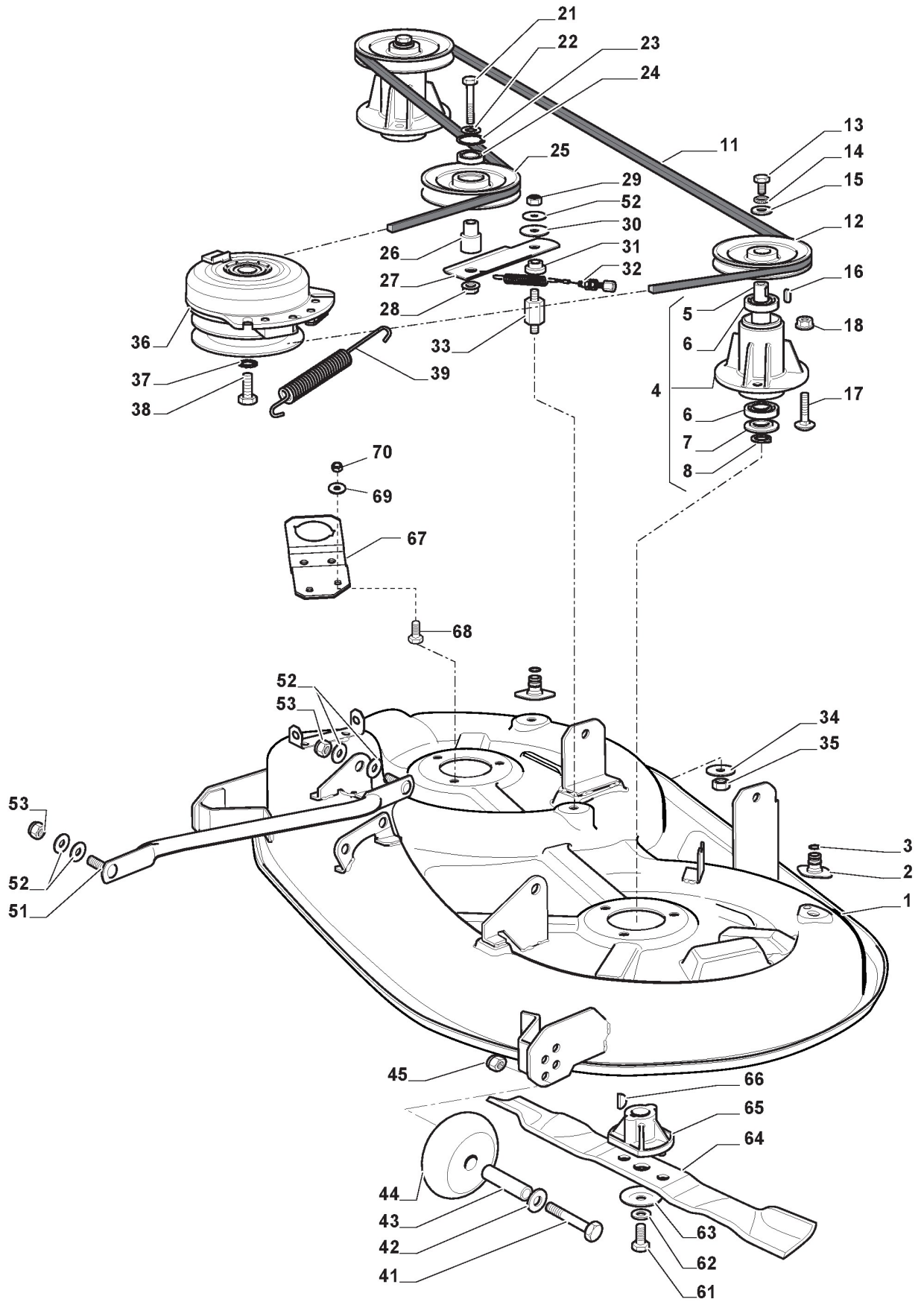
Soulevement Plateau De Coupe

| Réf. N° | Q.té : | Code article | Description | Articles | De | Jusqu'à |
|---------|--------|--------------|----------------------|----------|----|---------|
| 1 | 1 | 325394533/0 | Poignée | | | |
| 2 | 1 | 382318229/0 | Levier | | | |
| 3 | 1 | 382318231/0 | Axe | | | |
| 4 | 1 | 112674700/0 | Vis | | | |
| 5 | 1 | 125430261/0 | Ressort | | | |
| 6 | 1 | 112154510/0 | Ecrou | | | |
| 7 | 2 | 325038006/0 | Douille | | | |
| 8 | 1 | 325785297/0 | Support | | | |
| 9 | 2 | 125943009/0 | Vis | | | |
| 10 | 1 | 325735515/0 | Secteur Direction | | | |
| 11 | 2 | 125943009/0 | Vis | | | |
| 12 | 1 | 112793701/0 | Vis | | | |
| 13 | 1 | 125040636/1 | Douille | | | |
| 14 | 1 | 125601579/0 | Poulie | | | |
| 15 | 1 | 382004620/0 | Fil | | | |
| 16 | 1 | 112523060/0 | Rondelle | | | |
| 17 | 1 | 112293201/0 | Ecrou | | | |
| 21 | 1 | 382318295/0 | Axe | | | |
| 22 | 4 | 112735599/0 | Vis | | | |
| 23 | 2 | 325547231/0 | Plaquette | | | |
| 24 | 1 | 124487997/0 | Goupille | | | |
| 26 | 2 | 325670010/0 | Antifriction Scheibe | | | |
| 27 | 1 | 125033109/0 | Tige De Connexion | | | |
| 28 | 1 | 325670010/0 | Antifriction Scheibe | | | |
| 29 | 1 | 382318293/0 | Axe | | | |
| 30 | 1 | 124487997/0 | Goupille | | | |
| 31 | 1 | 325547231/0 | Plaquette | | | |
| 32 | 2 | 112735599/0 | Vis | | | |
| 34 | 3 | 325670008/1 | Rondelle | | | |
| 35 | 3 | 125510107/1 | Pivot | | | |
| 36 | 3 | 112156602/0 | Ecrou | | | |
| 37 | 3 | 112295200/0 | Ecrou | | | |
| 38 | 3 | 125840012/0 | Tirant | | | |
| 39 | 3 | 325670008/1 | Rondelle | | | |
| 41 | 3 | 124487998/0 | Goupille | | | |
| 43 | 3 | 112156602/0 | Ecrou | | | |
| 44 | 6 | 112521360/0 | Rondelle | | | |



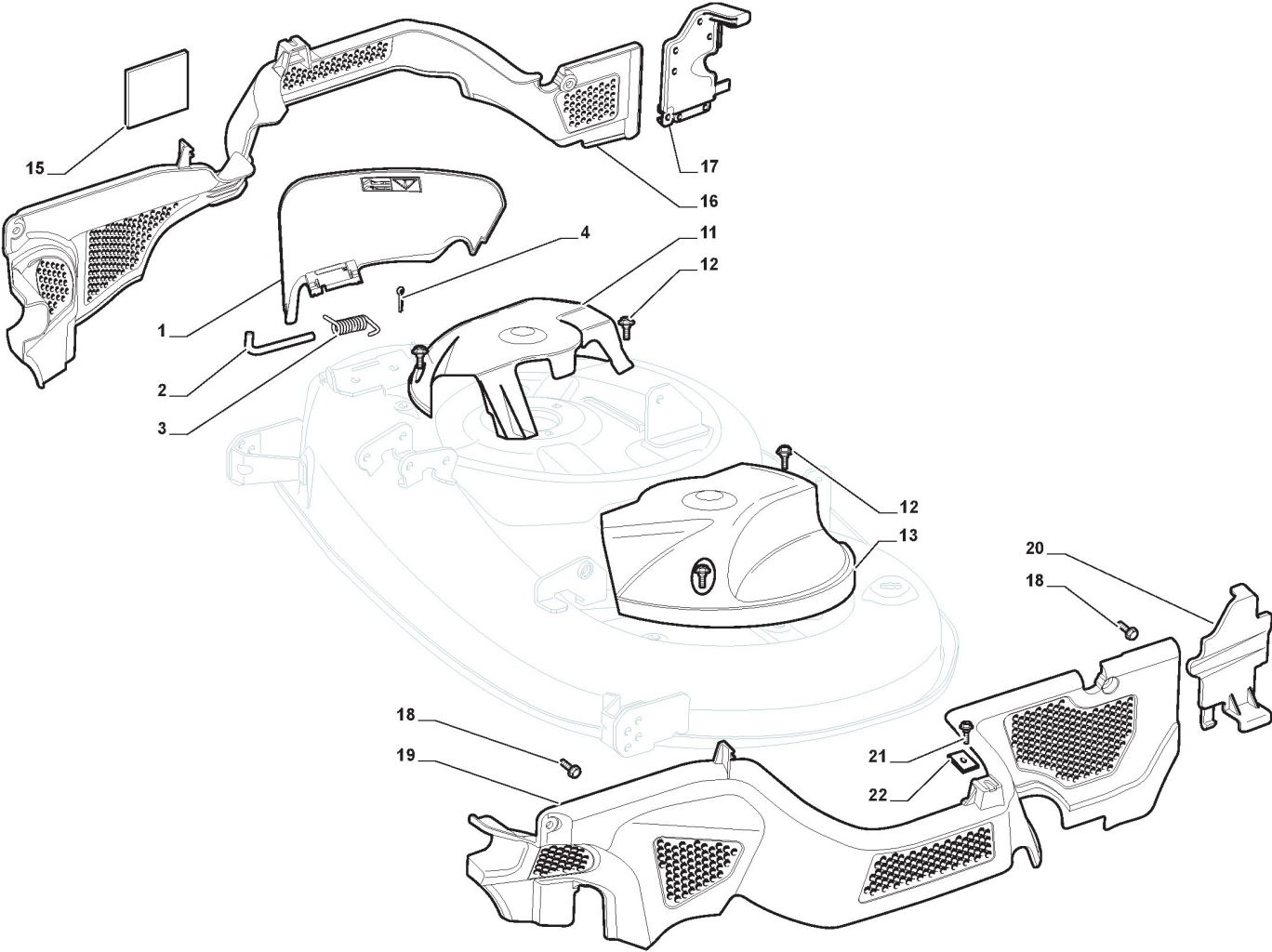
Plateau De Coupe

| Réf. N° | Q.té : | Code article | Description | Articles | De | Jusqu'à |
|---------|--------|--------------|-----------------------|------------------------|----|---------|
| 1 | 1 | 382564219/2 | Plateau De Coupe Gris | | | |
| 2 | 2 | 325033086/0 | Raccord Tuyau D'Eau | | | |
| 3 | 2 | 119035000/0 | Joint Or | | | |
| 4 | 2 | 382207204/1 | Ensamble Bride | | | |
| 5 | 2 | 125020804/0 | Arbre | | | |
| 6 | 4 | 119216040/0 | Roulement | | | |
| 7 | 2 | 325160501/0 | Protege-Poussiere | | | |
| 8 | 2 | 112609260/0 | Seeger | | | |
| 11 | 1 | 135061504/0 | Courroie | | | |
| 12 | 2 | 125601571/0 | Poulie | | | |
| 13 | 2 | 112793102/0 | Vis | | | |
| 14 | 2 | 112540260/0 | Rondelle | | | |
| 15 | 2 | 125670007/0 | Rondelle | | | |
| 16 | 2 | 112139480/0 | Clavette | | | |
| 17 | 6 | 112818700/0 | Vis | | | |
| 18 | 6 | 112154210/0 | Ecrou | | | |
| 21 | 1 | 112691900/0 | Vis | | | |
| 22 | 1 | 112524010/0 | Rondelle | | | |
| 23 | 1 | 112610800/0 | Anneau Ressort | | | |
| 24 | 1 | 119216048/0 | Roulement | | | |
| 25 | 1 | 125601586/0 | Poulie | To 31-december-2016 | | |
| 25 | 1 | 125601606/0 | Riemenscheibe | From 01-January-2017 | | |
| 26 | 1 | 125160056/0 | Entretoise | | | |
| 27 | 1 | 325318232/0 | Levier | | | |
| 28 | 1 | 112293201/0 | Ecrou | | | |
| 29 | 1 | 112155020/0 | Ecrou | | | |
| 30 | 1 | 125670022/0 | Rondelle | | | |
| 31 | 1 | 125040635/0 | Douille | | | |
| 32 | 1 | 382004618/0 | Fil | | | |
| 33 | 1 | 125160086/0 | Entretoise | | | |
| 34 | 1 | 112523080/0 | Rondelle | | | |
| 35 | 1 | 112156602/0 | Ecrou | | | |
| 36 | 1 | 118399063/0 | Friction | | | |
| 37 | 1 | 112543000/0 | Rondelle | | | |
| 38 | 1 | 112737320/0 | Vis | | | |
| 39 | 1 | 125430277/0 | Ressort | | | |
| 41 | 2 | 112692050/0 | Vis | | | |
| 42 | 2 | 112523060/0 | Rondelle | | | |
| 43 | 2 | 125510072/1 | Pivot | | | |
| 44 | 2 | 182700001/0 | Roulettes Antiscalp | | | |
| 45 | 2 | 112293201/0 | Ecrou | | | |
| 51 | 2 | 382000565/0 | Tige Balancier | To 31-august-2016 | | |
| 51 | 2 | 382000565/1 | Tige Balancier | From 01-september-2016 | | |
| 52 | 9 | 325670008/1 | Rondelle | | | |
| 53 | 4 | 112156602/0 | Ecrou | | | |
| 61 | 2 | 112735694/0 | Vis | | | |
| 62 | 2 | 112523080/0 | Rondelle | | | |
| 63 | 2 | 122160400/0 | Disque Elastique | | | |



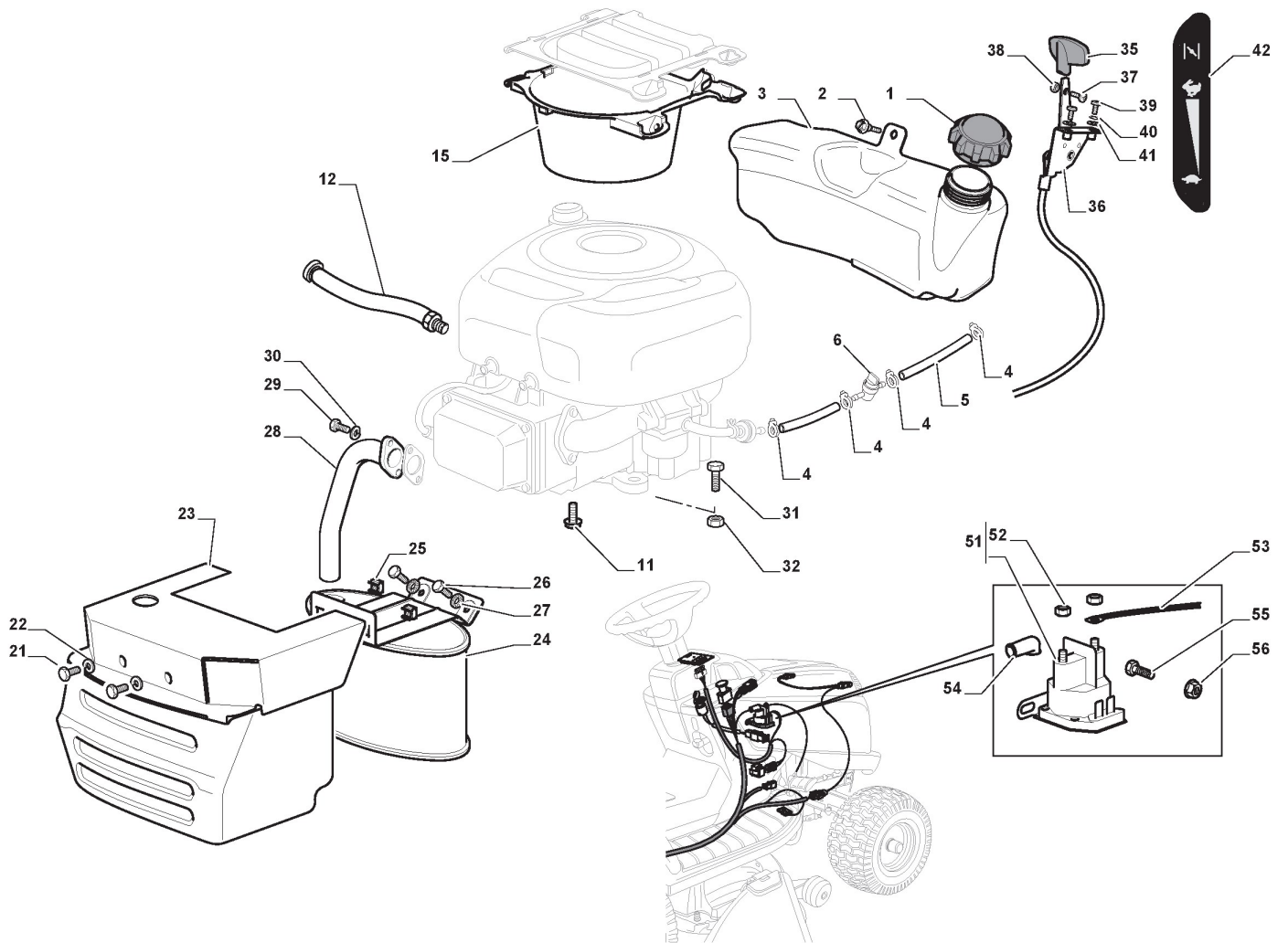
Plateau De Coupe

| Réf. N° | Q.té : | Code article | Description | Articles | De | Jusqu'à |
|---------|--------|--------------|---------------|----------|----|---------|
| 64 | 2 | 182004346/0 | Lame Mulching | | | |
| 65 | 2 | 125463200/0 | Moyeu Lame | | | |
| 66 | 2 | 112139100/0 | Languette | | | |
| 67 | 2 | 325774665/0 | Etrier | | | |
| 68 | 2 | 112793102/0 | Vis | | | |
| 69 | 2 | 112523060/0 | Rondelle | | | |
| 70 | 2 | 112154210/0 | Ecrou | | | |



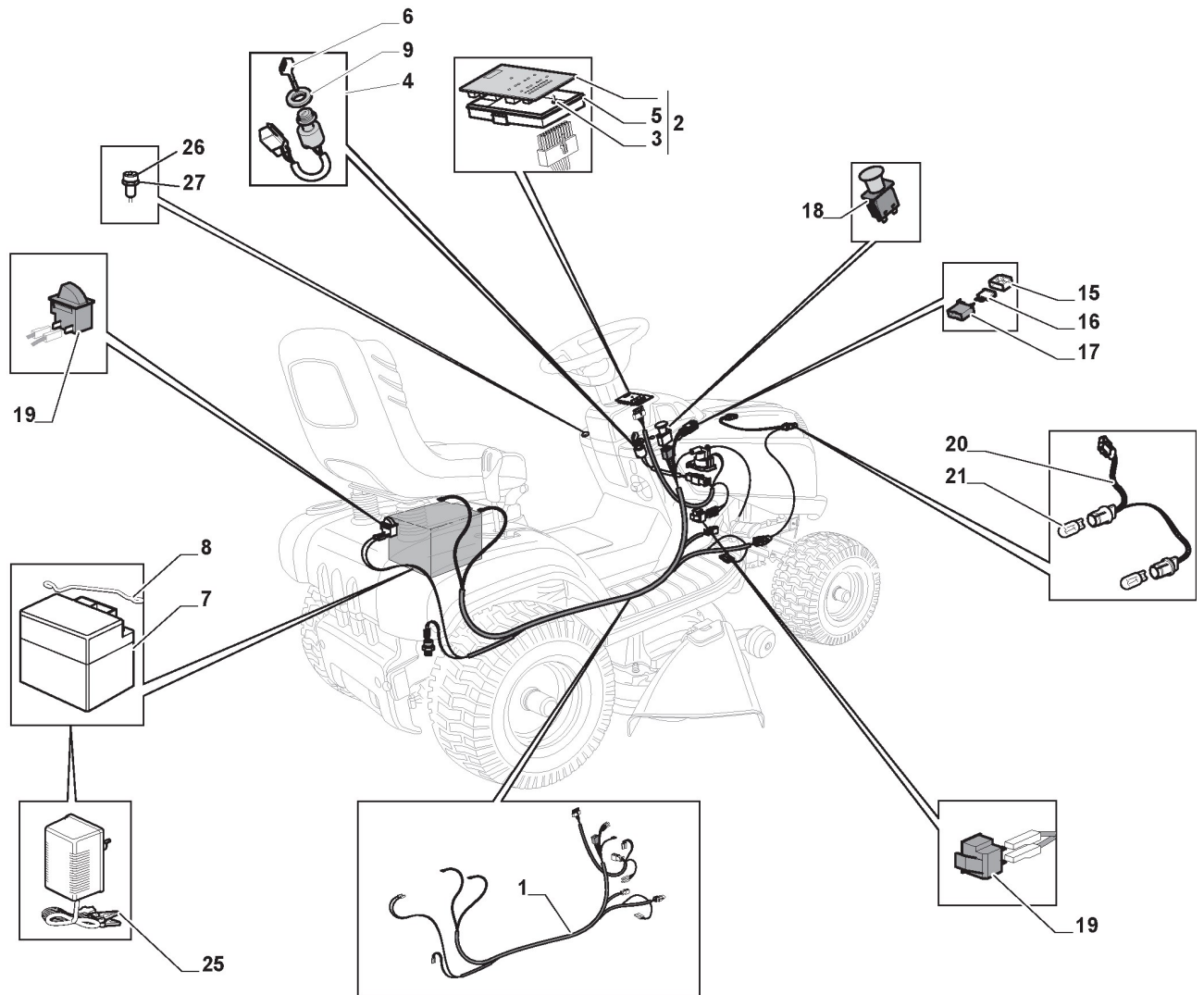
Protections

| Réf. N° | Q.té : | Code article | Description | Articles | De | Jusqu'à |
|---------|--------|--------------|-----------------------------------|------------------------|----|---------|
| 1 | 1 | 325600077/1 | Protection En Sortie | To 31-august-2013 | | |
| 1 | 1 | 325600077/2 | Protection En Sortie | From 01-september-2013 | | |
| 2 | 1 | 125510073/0 | Pivot | | | |
| 3 | 1 | 125430242/1 | Ressort | | | |
| 4 | 1 | 112141418/0 | Goupille | | | |
| 11 | 1 | 325600078/0 | Carter Protection Courroie Droit | | | |
| 12 | 4 | 125943006/0 | Vis | | | |
| 13 | 1 | 325600079/0 | Carter Protection Courroie Gauche | | | |
| 15 | 1 | 325600084/0 | Protection | only 98cm | | |
| 16 | 1 | 325060154/0 | Carter | | | |
| 17 | 1 | 325600082/0 | Protection | | | |
| 18 | 4 | 125943011/0 | Vis | | | |
| 19 | 1 | 325060155/0 | Carter | | | |
| 20 | 1 | 325600083/0 | Protection | | | |
| 21 | 2 | 127943051/0 | Vis | | | |
| 22 | 2 | 112437506/0 | Plaquette | | | |



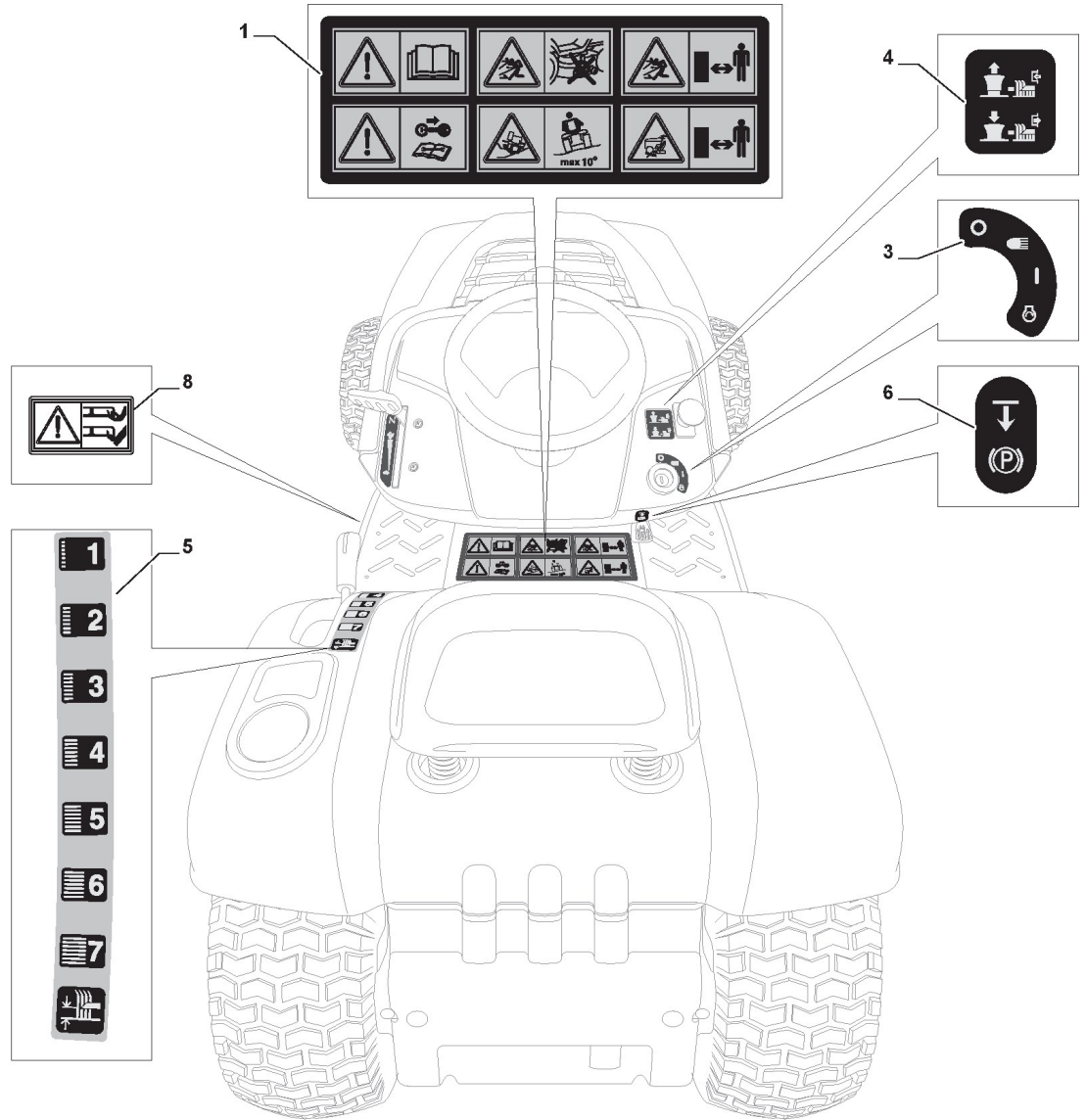
Moteur - B&S

| Réf. N° | Q.té : | Code article | Description | Articles | De | Jusqu'à |
|---------|--------|--------------|-----------------------|------------------------|----|---------|
| 1 | 1 | 125795001/1 | Bouchon | | | |
| 2 | 4 | 125943010/0 | Vis | | | |
| 3 | 1 | 325735126/0 | Réservoir à carburant | To 31-august-2017 | | |
| 3 | 1 | 325735126/1 | Reservoir | From 01-september-2017 | | |
| 4 | 4 | 118375051/1 | Fixation De Cable | | | |
| 5 | 1 | 325869057/0 | Tube De Connexion | | | |
| 6 | 1 | 118562996/0 | Rubinet | | | |
| 11 | 3 | 112735108/1 | Vis | | | |
| 12 | 1 | 1134-5827-01 | Oil Drain Assy | | | |
| 15 | 1 | 325108044/1 | Convoyeur | | | |
| 21 | 2 | 112792611/0 | Vis | | | |
| 22 | 2 | 112540260/0 | Rondelle | | | |
| 23 | 1 | 382598047/0 | Protection Silencieux | | | |
| 24 | 1 | 182750010/0 | Silencieux | | | |
| 25 | 2 | 112360425/0 | Ecrou | | | |
| 26 | 2 | 112792611/0 | Vis | | | |
| 27 | 2 | 112540260/0 | Rondelle | | | |
| 28 | 1 | 118738224/0 | Tube De Echappement | | | |
| 29 | 2 | 112737450/0 | Vis | | | |
| 30 | 2 | 112540260/0 | Rondelle | | | |
| 31 | 1 | 112735108/1 | Vis | | | |
| 32 | 3 | 112154210/0 | Ecrou | | | |
| 35 | 1 | 325394531/0 | Poignée | | | |
| 36 | 1 | 182000216/0 | Accelerateur | | | |
| 37 | 1 | 112726389/0 | Vis | | | |
| 38 | 1 | 112290800/0 | Ecrou | | | |
| 39 | 2 | 112726389/0 | Vis | | | |
| 40 | 2 | 112540020/0 | Rondelle | | | |
| 41 | 2 | 112521310/0 | Rondelle | | | |
| 42 | 1 | 114363697/0 | Etiquette | | | |
| 51 | 1 | 118736111/0 | Relais D'Allumage | To 31-august-2015 | | |
| 51 | 1 | 118736112/0 | Solenoid | From 01-september-2015 | | |
| 52 | 2 | 112360352/0 | Ecrou | To 31-august-2015 | | |
| 52 | 2 | 112361005/0 | Ecrou | From 01-september-2015 | | |
| 53 | 1 | 125065002/0 | Cable | | | |
| 54 | 1 | 118564864/1 | Capuchon | | | |
| 55 | 1 | 112790781/0 | Vis | | | |
| 56 | 2 | 112154510/0 | Ecrou | | | |



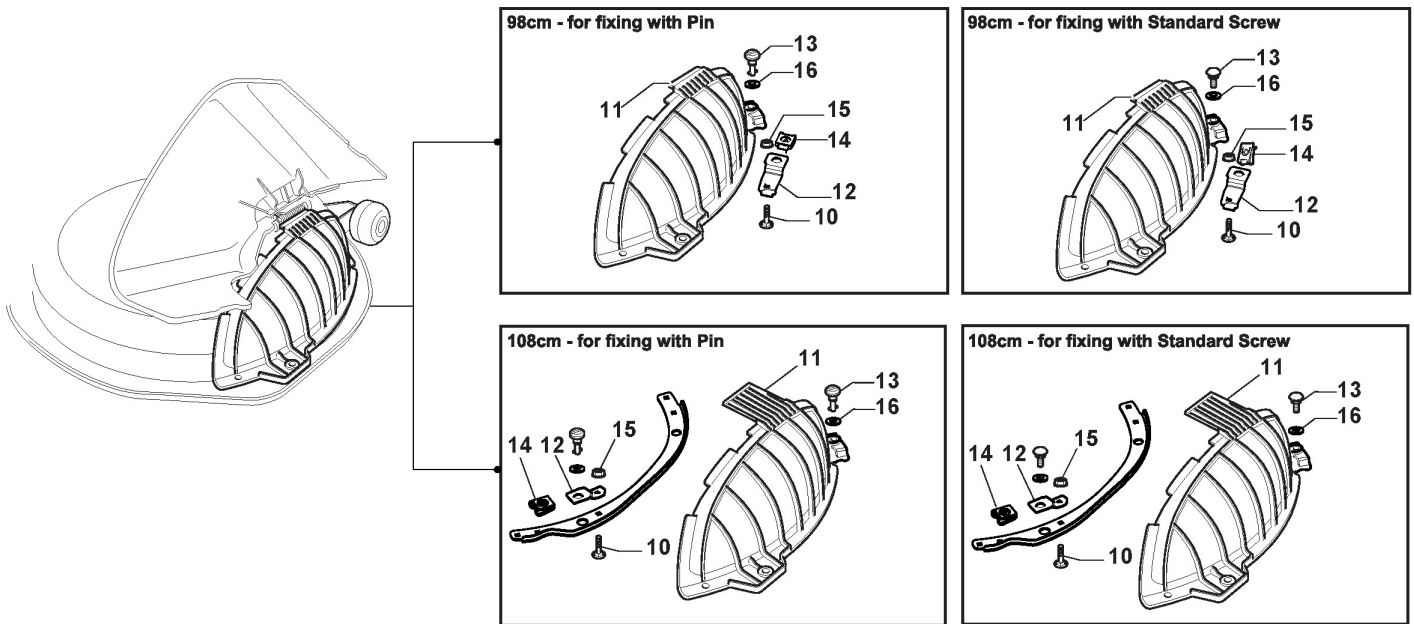
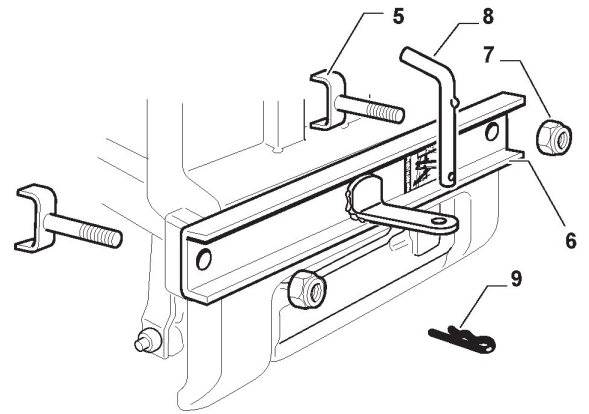
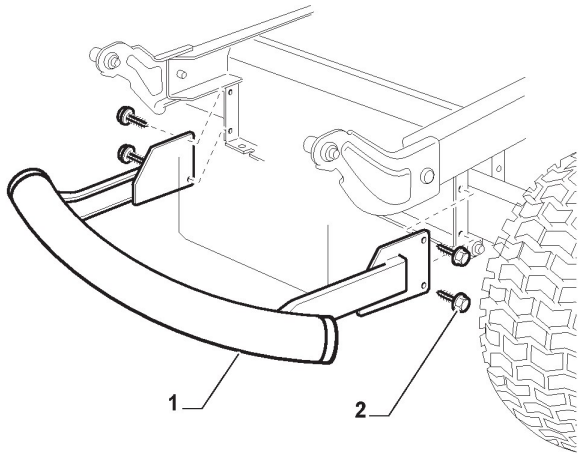
Parties Electriques

| Réf. N° | Q.té : | Code article | Description | Articles | De | Jusqu'à |
|---------|--------|--------------|---|---|----|---------|
| 1 | 1 | 182040195/0 | Ens. Cablages | for mechanical models;To 31-august-2016 | | |
| 1 | 1 | 182040195/1 | Ens. Cablages | for mechanical models;From 01-september-2016 | | |
| 2 | 1 | 382722443/0 | Carte Electronique | To 31-august-2015 | | |
| 2 | 1 | 382722443/1 | Carte Electronique | From 01-september-2015 | | |
| 3 | 1 | 112735101/0 | Vis | | | |
| 4 | 1 | 118450075/1 | Interrupteur Demarrage | | | |
| 5 | 1 | 325600080/0 | Protection De Carte | To 31-august-2015 | | |
| 5 | 1 | 325600090/1 | Protection De Carte | From 01-september-2015 | | |
| 6 | 1 | 118210023/0 | Clef A Demarrage | | | |
| 7 | 1 | 118120002/1 | Batterie | | | |
| 8 | 1 | 125430265/1 | Ressort | | | |
| 9 | 1 | 118400863/0 | Manchon Expansible | | | |
| 15 | 2 | 133215000/0 | Couvercle | | | |
| 16 | 1 | 133340036/0 | Fusible 25 A | | | |
| 16 | 1 | 133340040/0 | Fusible 10 A | | | |
| 17 | 2 | 133500007/0 | Tableau De Fusible | | | |
| 18 | 1 | 118450074/0 | Interrupteur Embrajage | | | |
| 19 | 2 | 119410613/0 | Microinterrupteur | | | |
| 20 | 1 | 182040186/0 | Cables | for Lamp Version | | |
| 21 | 2 | 118459100/0 | Lamp For Lights | | | |
| 25 | 1 | 182180090/0 | Chargeur De Batteries 12V 1A - CE Plugg | CE plugg | | |
| 26 | 1 | 325605003/0 | Bouton D'Entrée Inverse | | | |
| 27 | 1 | 325256250/0 | Nutmutter | | | |



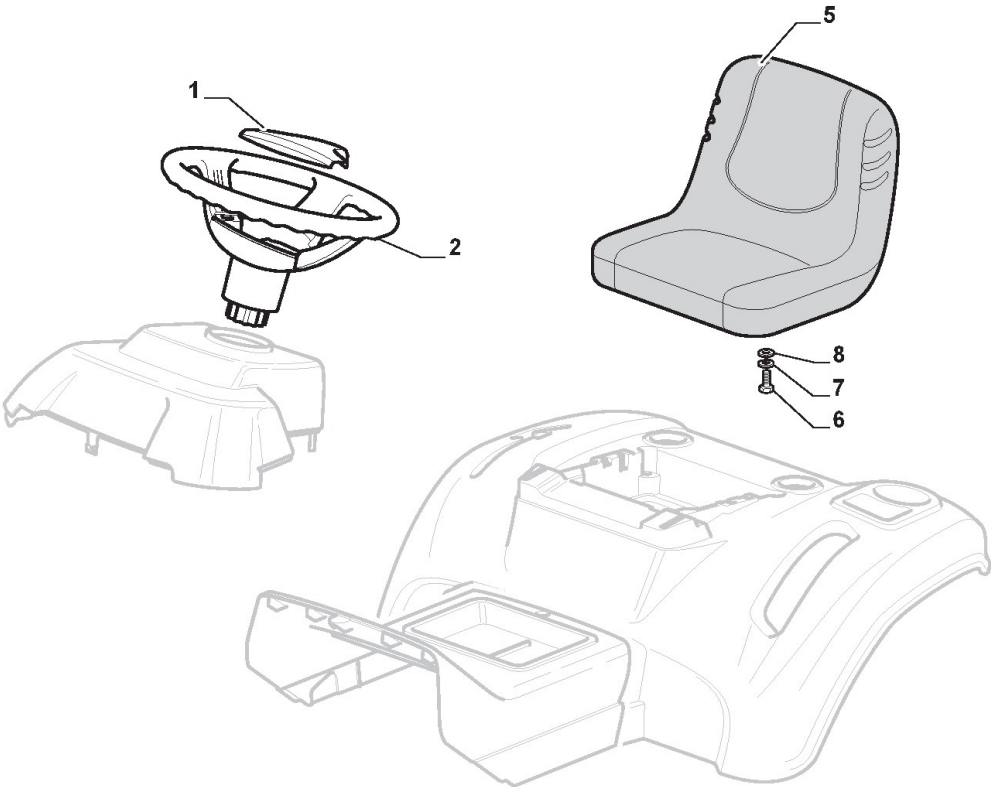
Etiquettes

| Réf. N° | Q.té : | Code article | Description | Articles | De | Jusqu'à |
|---------|--------|--------------|-------------|------------------------|----|---------|
| 1 | 1 | 114362365/1 | Etiquette | | | |
| 3 | 1 | 114363699/0 | Etiquette | | | |
| 4 | 1 | 114361438/0 | Etiquette | | | |
| 5 | 1 | 114363701/0 | Etiquette | To 31-august-2014 | | |
| 5 | 1 | 114366142/0 | Etikett | From 01-september-2014 | | |
| 6 | 1 | 114363700/0 | Etiquette | | | |
| 8 | 1 | 114356699/1 | Etiquette | | | |



Accessoires Sur Demande

| Réf. N° | Q.té : | Code article | Description | Articles | De | Jusqu'à |
|---------|--------|--------------|-----------------------|--------------------------------|----|---------|
| 1 | 1 | 382869038/0 | Protection Silencieux | | | |
| 2 | 4 | 125943008/0 | Vis | | | |
| 5 | 2 | 382650211/0 | Renforcement | | | |
| 6 | 1 | 382033111/0 | Tige | | | |
| 7 | 2 | 112155000/0 | Ecrou | | | |
| 8 | 1 | 125510021/1 | Pivot | | | |
| 9 | 1 | 124487999/0 | Goupille | | | |
| 10 | 2 | 112815205/0 | Vis | | | |
| 11 | 1 | 325140105/0 | Deflecteur | | | |
| 12 | 2 | 325785471/0 | Pivot | | | |
| 13 | 2 | 125580040/0 | Bondon | for fixing with Pin | | |
| 13 | 2 | 125580041/0 | Bondon | for fixing with Standard Screw | | |
| 14 | 2 | 112437507/0 | Plaquette | for fixing with Standard Screw | | |
| 14 | 2 | 118737221/0 | Plate | for fixing with Pin | | |
| 15 | 2 | 112154510/0 | Ecrou | | | |
| 16 | 2 | 112604899/0 | Fixateur A Couronne | | | |



Siege & Volant

| Réf. N° | Q.té : | Code article | Description | Articles | De | Jusqu'à |
|---------|--------|--------------|---------------|------------------------|----|---------|
| 1 | 1 | 325580503/0 | Plaque Volant | | | |
| 2 | 1 | 325961219/0 | Volant | | | |
| 5 | 1 | 125722463/0 | Siege | To 31-august-2017 | | |
| 5 | 1 | 125722483/0 | Siege | From 01-september-2017 | | |
| 6 | 4 | 112792611/0 | Vis | | | |
| 7 | 4 | 112540260/0 | Rondelle | | | |
| 8 | 4 | 112523060/0 | Rondelle | | | |