

CASTELGARDEN

XHT 240 4WD (2018)

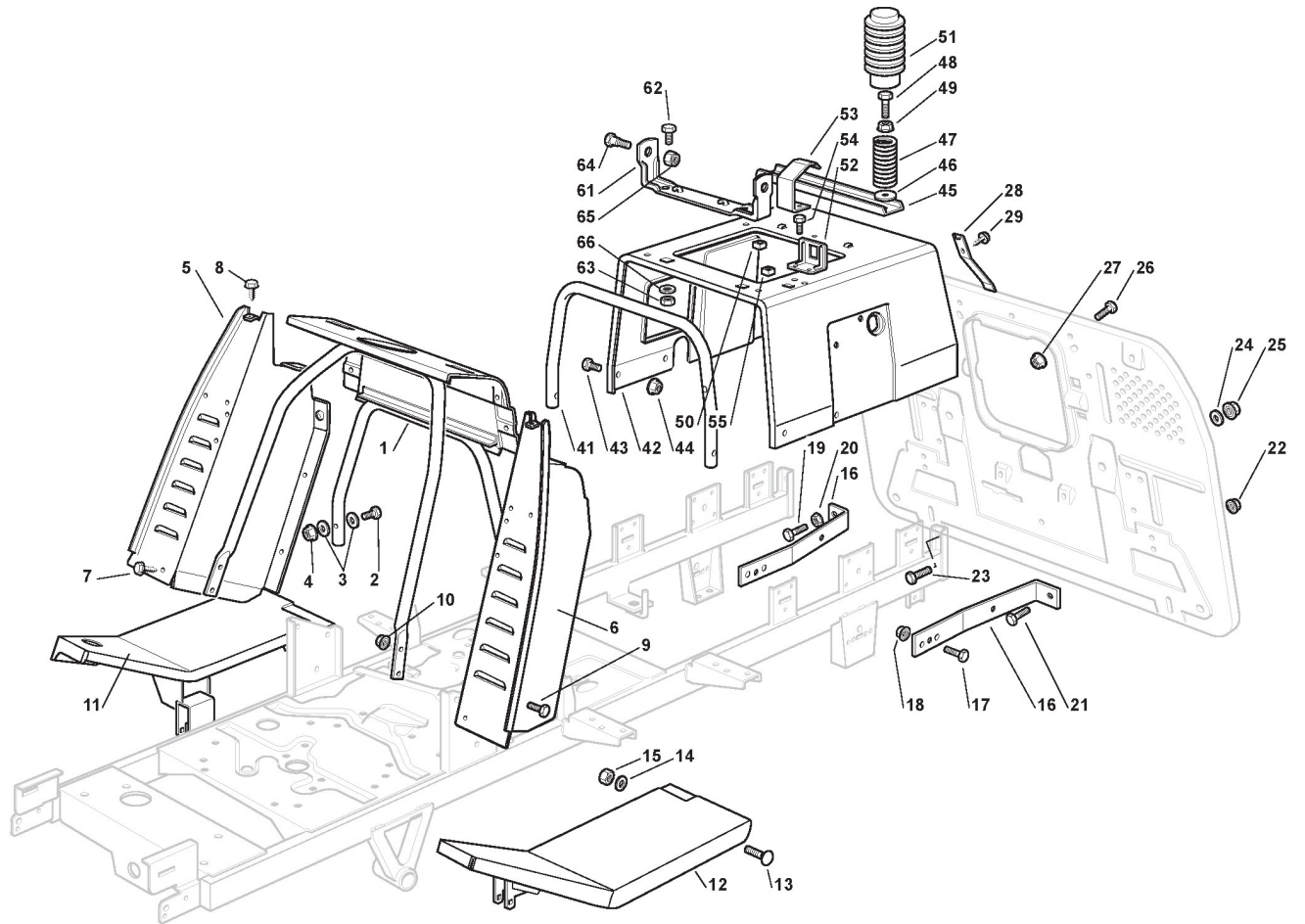
2T1425273/14



Spare parts list Reservdelar Repuestos Ersatzteile Pièces détachées Reserve onderdelen Catalogo ricambi

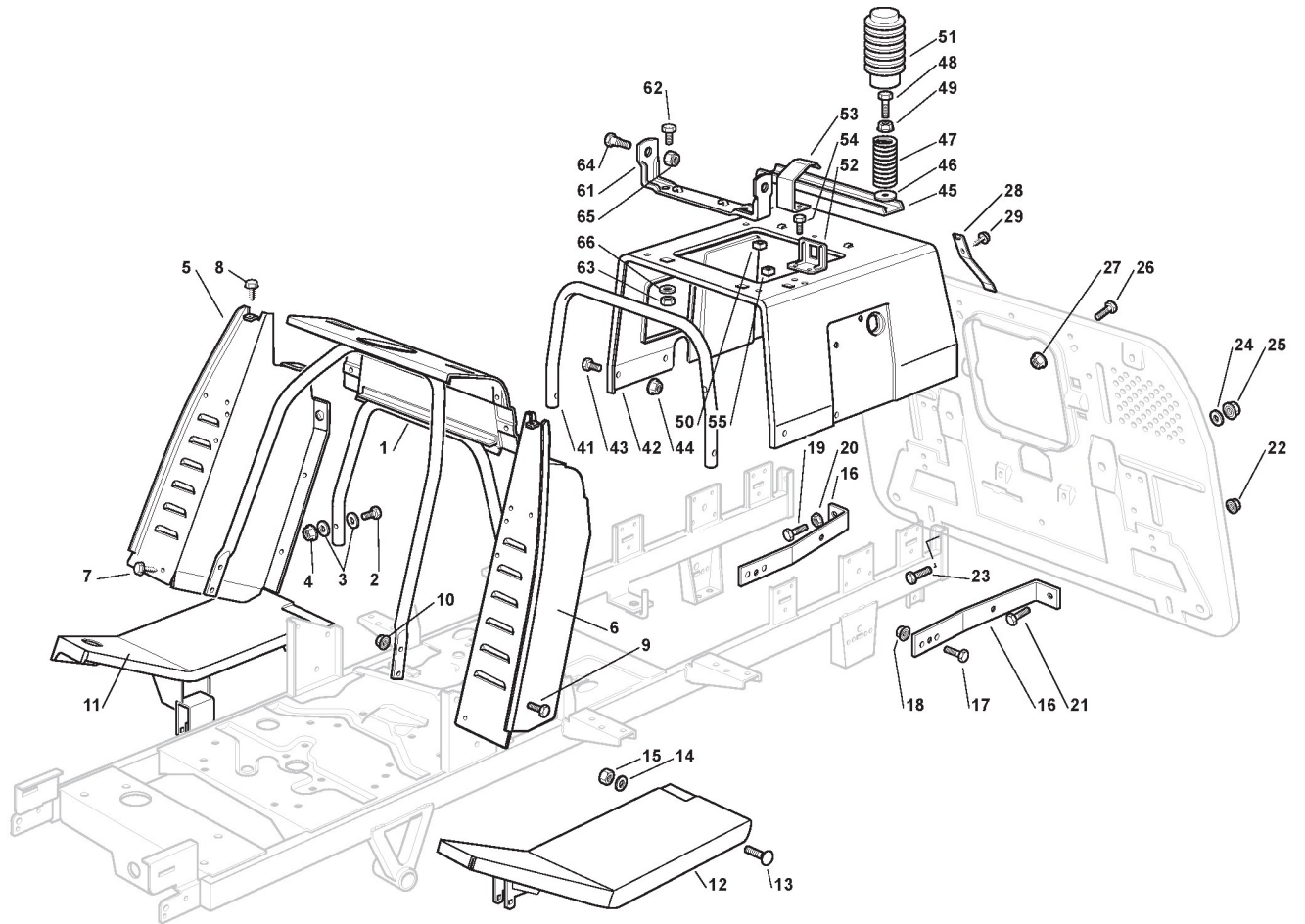
- Use ST. S.p.A. Genuine Spare Parts specified in the parts list for repair and/or replacement.
- The contents described in the parts list may change due to improvement.
- The drawings of the spare parts are only indicative And might Not represent the part in question exactly.
- The indications "right" - "left" - "front" - "rear" refer to the position of the operator when using the machine.
- When placing orders of parts for repair And/Or replacement, make sure that the illustrated parts list Is the one applying to the machine's year of manufacture, as shown on the identification plate attached to the machine.

All rights reserved. No part Of this material may be reproduced Or transmitted, in any form Or by any means, electronic Or mechanical, including photocopying, recording Or by any information storage And retrieval system, without permission in writing from ST. S.p.A.



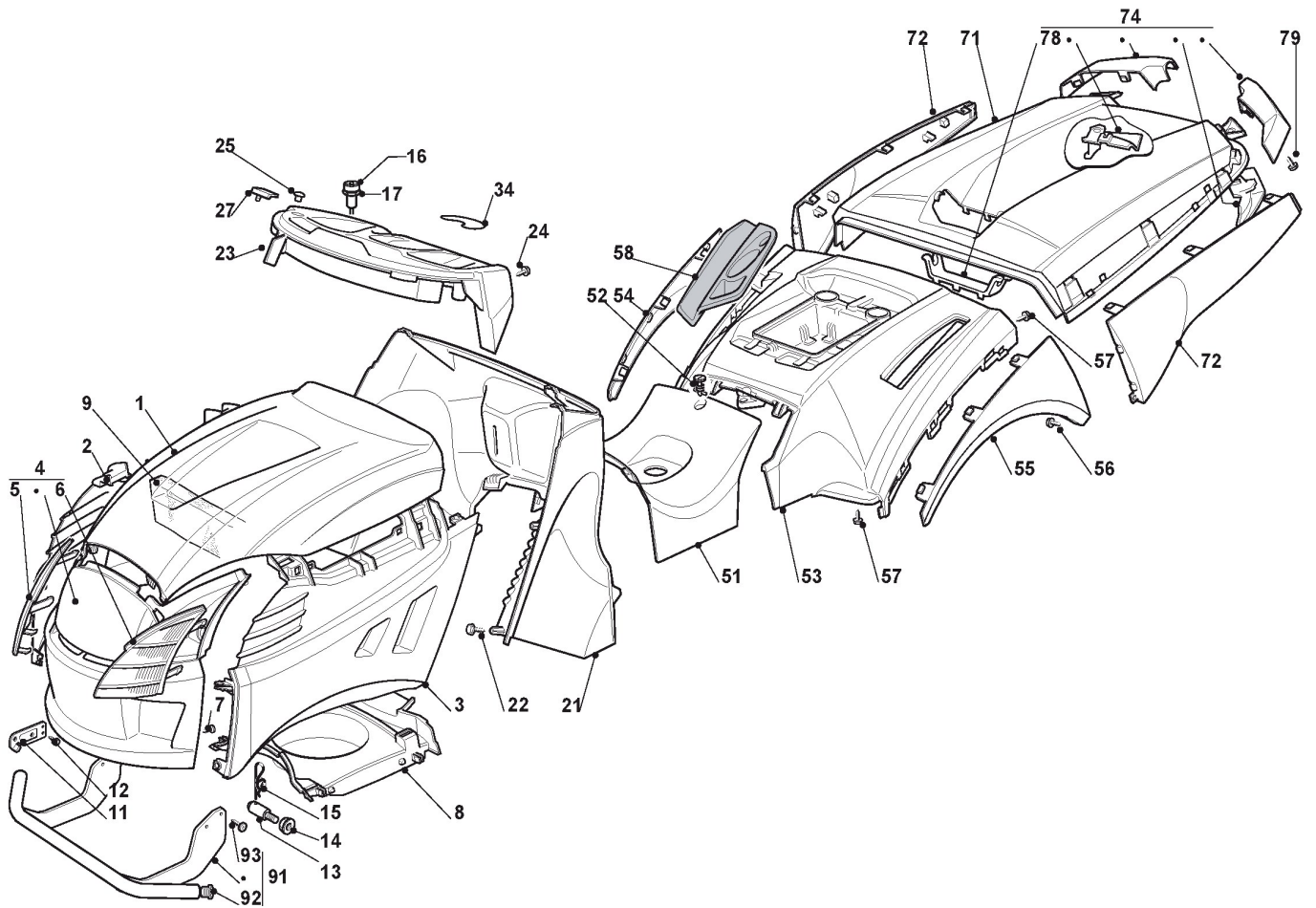
Chassis

Réf. N°	Q.té :	Code article	Description	Articles	De	Jusqu'à
1	1	382785205/0	Support Tableau Centr.	To 31-august-2011		
1	1	382785247/0	Renforcement	From 01-september-2011 To 31-august-2012		
1	1	382785247/1	Renforcement	From 01-september-2012 To 31-august-2016		
1	1	382785247/2	Renforcement	From 01-september-2016		
2	2	112674550/0	Vis			
3	4	112523040/0	Rondelle			
4	2	112292102/0	Ecrou			
5	1	382785022/10	Support Tableau Droit	From 01-september-2017		
5	1	382785022/8	Support Tableau Droit	To 31-august-2011		
5	1	382785022/9	Support Tableau Droit	From 01-september-2011 To 31-august-2017		
6	1	382785021/7	Support Tableau Gauche	To 31-august-2011		
6	1	382785021/8	Support Tableau Gauche	From 01-september-2011 To 31-august-2017		
6	1	382785021/9	Support Tableau Gauche	From 01-september-2017		
7	2	112735110/0	Vis			
8	2	112735110/0	Vis			
9	6	112791400/0	Vis			
10	6	112292102/0	Ecrou			
11	1	325500046/0	Marchepied Droit	To 31-august-2016		
11	1	325500046/1	Marchepied Droit	From 01-september-2016 To 30-november-2017		
11	1	325500046/2	Marchepied Droit	From 01-december-2017		
12	1	325500047/0	Marchepied Gauche	To 31-august-2016		
12	1	325500047/1	Marchepied Gauche	From 01-september-2016		
13	4	112728689/0	Vis	From 01-september-2011		
13	4	112815245/0	Vis	To 31-august-2011		
14	4	112523040/0	Rondelle			
15	4	112154510/0	Ecrou	To 31-august-2011		
15	4	112523030/0	Rondelle	From 01-september-2011		
16	2	325774273/1	Renforcement	To 31-august-2013		
16	2	325774273/2	Renforcement	From 01-september-2013		
17	2	112793102/0	Vis			
18	2	112293201/0	Ecrou			
19	1	112691100/0	Vis			
20	1	112293200/0	Ecrou			
21	1	112792611/0	Vis			
22	2	112293201/0	Ecrou			
23	2	112794300/0	Vis			
24	2	112521360/0	Rondelle			
25	2	112156602/0	Ecrou			
26	5	112791011/0	Vis			
27	5	112292102/0	Ecrou			
28	1	125430238/0	Ressort	To 31-august-2013		
28	1	125430238/1	Ressort	From 01-september-2013		
29	1	112731580/0	Vis			
41	1	325869085/0	Renforcement			
42	1	325785133/4	Support Siege	To 31-august-2012		
42	1	325785133/5	Support Siege	From 01-september-2012		



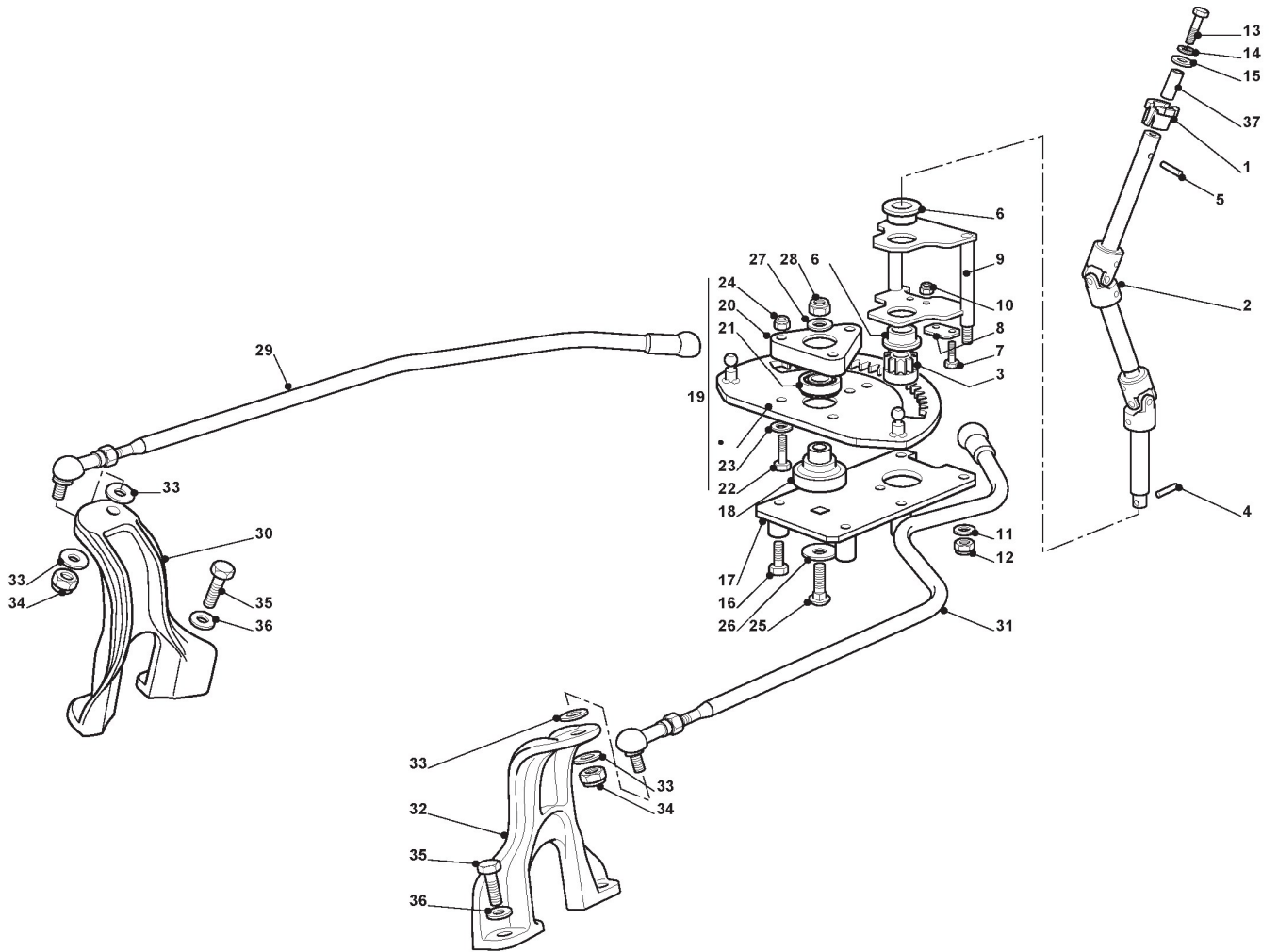
Chassis

Réf. N°	Q.té :	Code article	Description	Articles	De	Jusqu'à
43	8	112791011/0	Vis			
44	8	112292102/0	Ecrou			
45	1	325650067/0	Renforcement	To 31-august-2015		
45	1	325650067/1	Renforcement Poulie	From 01-september-2015		
46	2	112523070/0	Rondelle			
47	2	125430205/1	Ressort			
48	2	125943001/0	Vis	To 31-august-2012		
48	2	125943001/1	Vis	From 01-september-2012		
49	2	112293201/0	Ecrou			
50	2	112360420/0	Ecrou			
51	2	325737002/0	Protecteur			
52	1	325755025/1	Equerre-Support	To 31-august-2011		
52	1	325755025/2	Equerre-Support	From 01-september-2011		
53	1	325430255/0	Ressort			
54	2	112735110/0	Vis			
55	2	112437502/0	Plaquette	To 31-august-2016		
55	2	112437502/1	Plaquette	From 01-september-2016		
61	1	382774207/0	Etrier Support Siege	To 31-august-2017		
61	1	382774305/0	Etrier Support Siege	From 01-september-2017		
62	2	112691115/0	Vis			
63	2	112155000/0	Ecrou	From 01-september-2012		
63	2	112293201/0	Ecrou	To 31-august-2012		
64	2	122524970/2	Pivot	To 31-august-2014		
64	2	122524970/3	Goupille	From 01-september-2014		
65	2	112155010/0	Ecrou			
66	2	112523070/0	Rondelle			



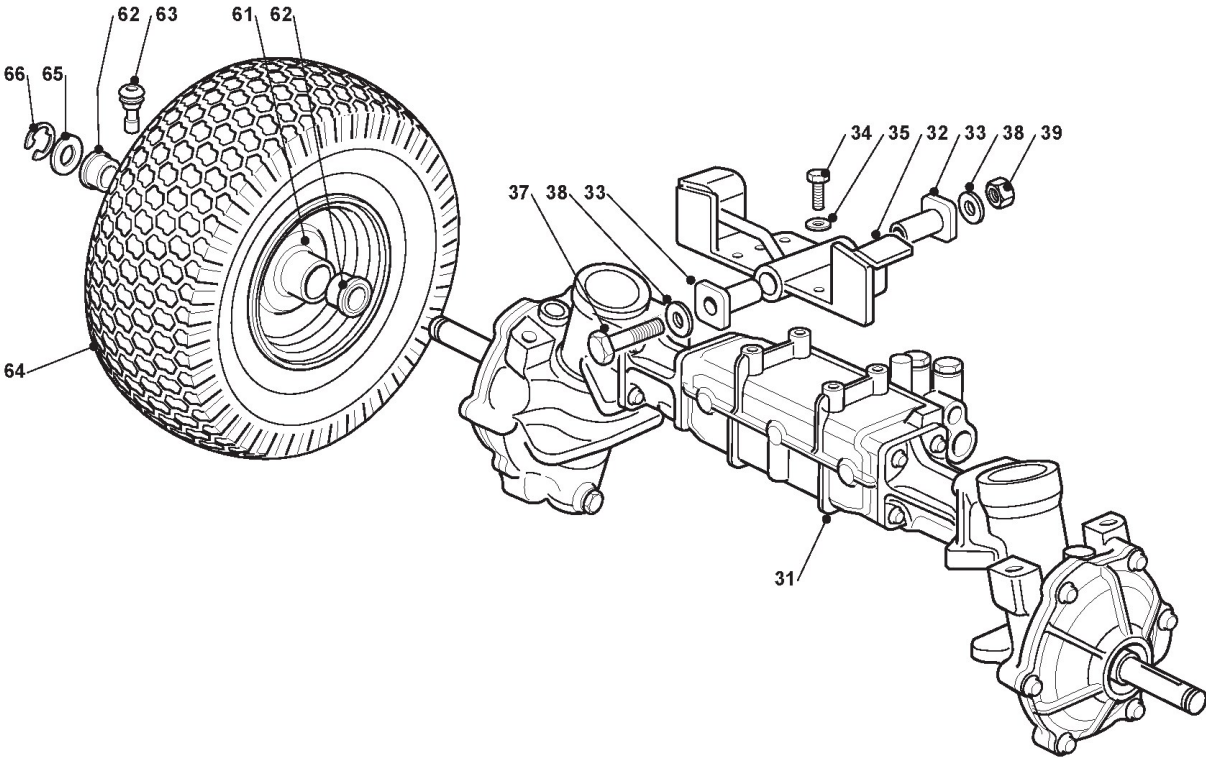
Carrosserie

Réf. N°	Q.té :	Code article	Description	Articles	De	Jusqu'à
1	1	325076979/0	Capot Rouge			
2	1	325207120/1	Capot Droit			
3	1	325207121/1	Capot Gauche			
4	1	382394607/0	Capot Avant			
5	1	325410874/0	Panneau Phares Droite			
6	1	325410875/0	Left Light Plastic Cover Tc-Tcj			
7	6	112735405/0	Vis			
8	1	325108025/0	Convoyeur			
9	1	125730021/0	Separateur Aspirations			
11	2	325547109/2	Plaquette			
12	4	112731580/0	Vis			
13	2	125510068/0	Pivot			
14	2	112293201/0	Ecrou			
15	1	124487998/0	Goupille			
16	1	325605003/0	Bouton D'Entrée Inverse			
17	1	325256250/0	Nutmutter			
21	1	325785228/1	Support Tableau Comm.			
22	7	112735403/0	Vis			
23	1	325120269/0	Console, Gris (Cruise Control)	with Cruise Control;From 01-september-2016		
24	4	112728440/0	Vis			
25	2	125120200/0	Bouchon			
27	2	125260000/0	Protection			
34	1	325207185/0	Couvercle			
51	1	325110491/0	Couvre Rouge	To 31-august-2017		
51	1	325110509/0	Couvre Central Gris	Grey;From 01-september-2017		
52	1	125580020/2	Pivot			
53	1	325109798/0	Couvre Roues Rouge			
54	1	325109747/0	Couvre-Roues			
55	1	325109748/0	Couvre-Roue Gauche			
56	2	112728686/0	Vis			
57	4	112735402/0	Vis			
58	1	325207184/0	Couvercle	To 31-august-2017		
58	1	325207184/1	Couvre	From 01-september-2017		
71	1	325110482/0	Couvre-Bac Rouge			
72	1	382110256/0	Couvre Ens.			
74	1	382110303/0	Corniere Ens.	To 31-august-2016		
74	1	382110306/1	Corniere Ens.	From 01-september-2016		
78	1	325394009/0	Couvre-Poignee			
79	4	112735403/0	Vis			
91	1	382869039/0	Protection Silencieux	To 31-august-2017		
91	1	382869039/1	Protection Silencieux	From 01-september-2017		
92	2	118737860/0	Bouchon			
93	4	112734995/0	Vis			



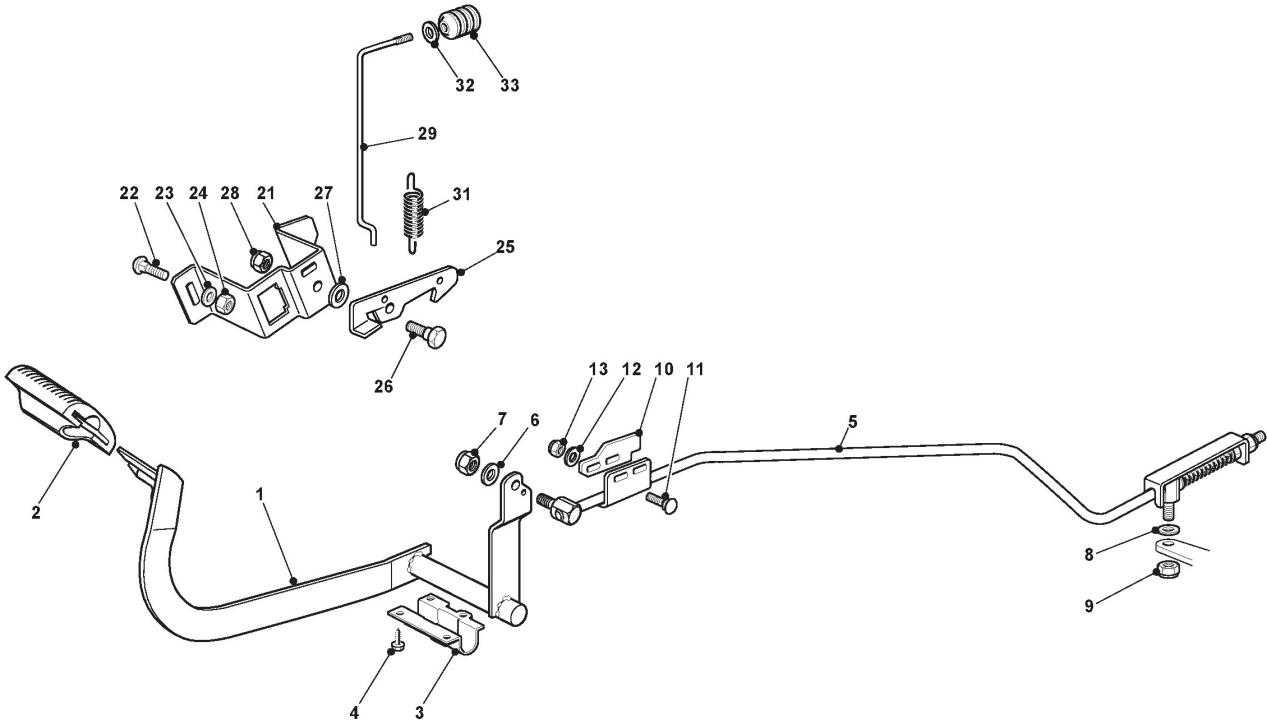
Barre De Direction

Réf. N°	Q.té :	Code article	Description	Articles	De	Jusqu'à
1	2	325038004/0	Douille			
2	1	382543052/0	Tube De Direction	To 31-august-2011		
2	1	382543053/0	Tube De Direction	From 01-september-2011		
3	1	125570006/1	Pignon			
4	1	112622650/0	Goupille			
5	1	112620250/0	Goupille			
6	2	325038004/0	Douille			
7	2	112788910/0	Vis			
8	1	325487000/0	Plaquette			
9	1	382785209/0	Support			
10	2	112154330/0	Ecrou			
11	2	112521360/0	Rondelle			
12	2	112156602/0	Ecrou			
13	1	112691800/0	Vis			
14	1	112583500/0	Grower			
15	1	112523060/0	Rondelle	To 31-august-2017		
15	1	122671651/0	Rondelle	From 01-september-2017		
16	4	112735108/1	Vis			
17	1	382785207/0	Support			
18	1	125040641/0	Support			
19	1	382735523/0	Secteur Direction			
20	1	325774453/0	Etrier			
21	1	119216047/0	Roulement			
22	3	112691100/0	Vis			
23	3	112523060/0	Rondelle	To 31-august-2017		
23	3	122671651/0	Rondelle	From 01-september-2017		
24	3	112155000/0	Ecrou			
25	1	112819600/0	Vis			
26	1	112521395/0	Rondelle			
27	1	112521370/0	Rondelle			
28	1	112156603/0	Ecrou			
29	1	382000622/0	Barre De Direction			
30	1	325774491/1	Etrier			
31	1	382000624/0	Barre De Direction			
32	1	325774493/0	Etrier			
33	4	112522050/0	Rondelle			
34	2	112155700/0	Ecrou			
35	4	112760585/0	Vis			
36	4	112521370/0	Rondelle			
37	1	125160063/0	Entretoise			



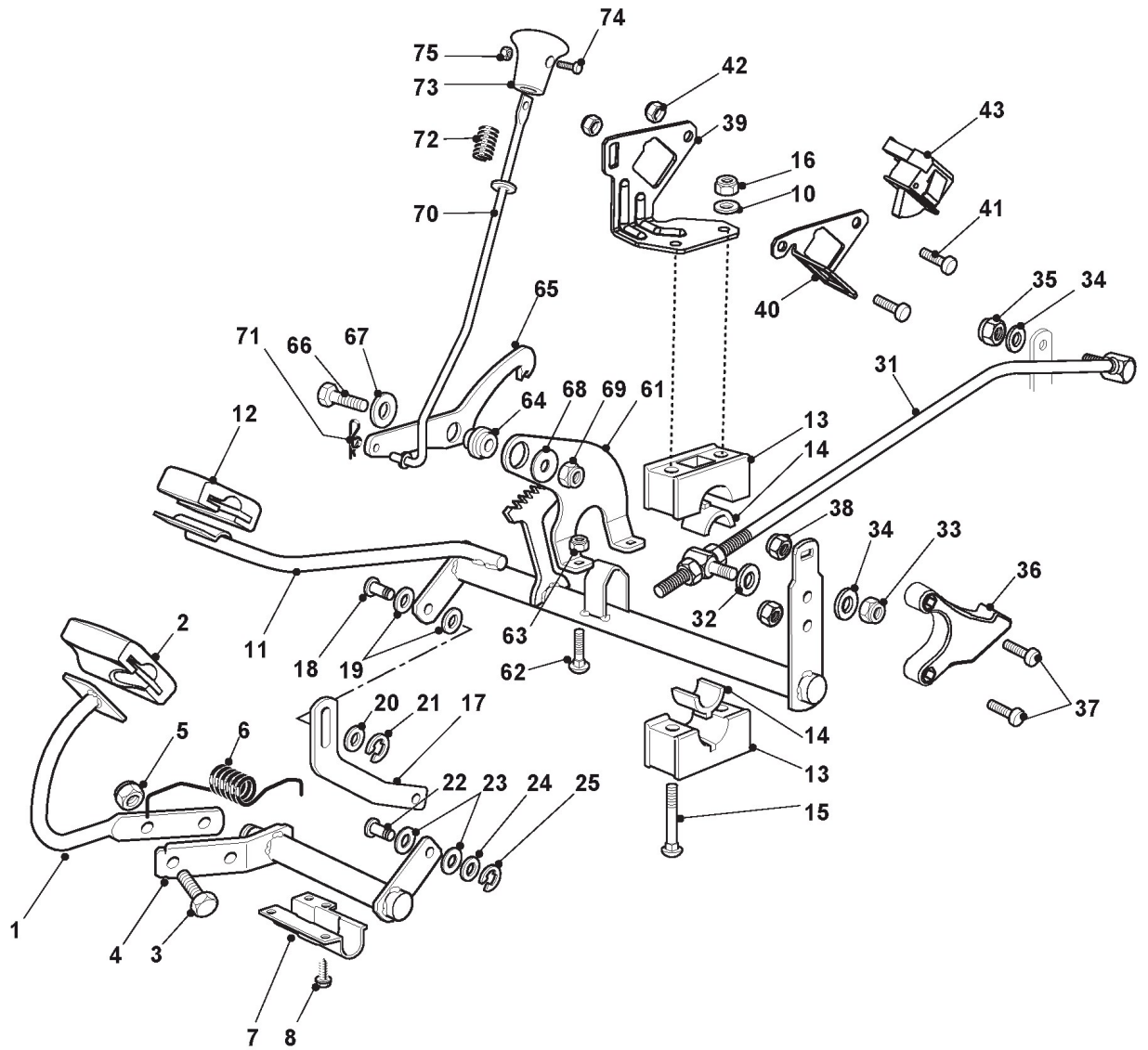
Barre De Direction

Réf. N°	Q.té :	Code article	Description	Articles	De	Jusqu'à
31	1	118400974/0	Groupe Transmission			
32	1	382547057/1	Support			
33	2	125040633/0	Douille			
34	6	112760560/0	Vis			
35	6	112585100/0	Rondelle			
37	1	112695900/0	Vis			
38	2	112521395/0	Rondelle			
39	1	112295801/0	Ecrou			
61	2	182000601/1	Bandage Roue Avant	Grey		
62	4	125122200/2	Roulement			
63	2	125950000/0	Vanne			
64	2	125590012/0	Pneu 16x6.50-8 PLY2 TL S365 DELI TIRE	To 31-august-2013		
64	2	125590016/0	Pneu 16 x 6.50-8 P332 WANDA	From 01-september-2013		
65	2	125670005/1	Rondelle	To 31-august-2014		
65	2	125670005/2	Rondelle	From 01-september-2014		
66	2	112001010/0	Anneau Benzing			



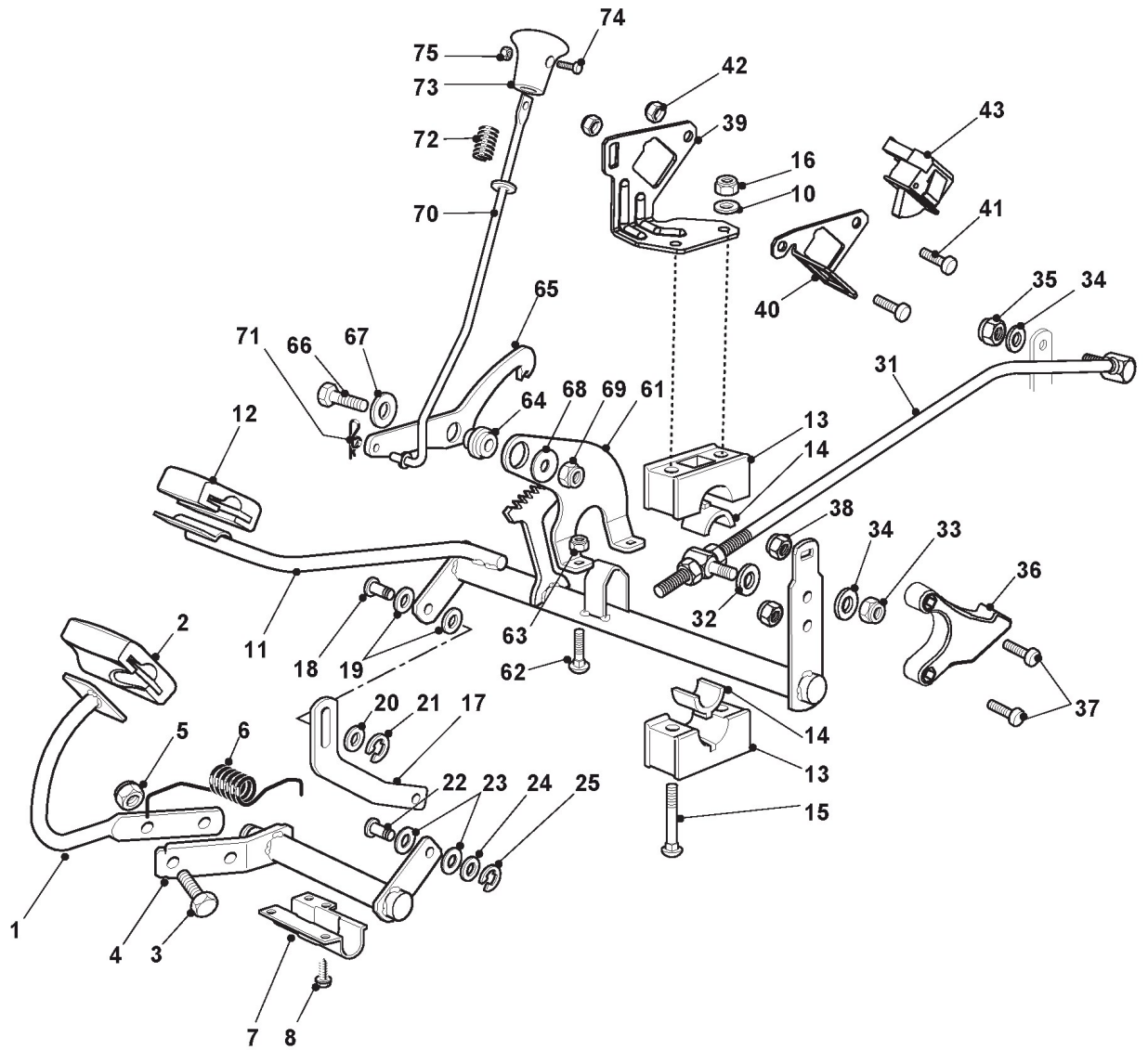
Commande Frein

Réf. N°	Q.té :	Code article	Description	Articles	De	Jusqu'à
1	1	382500041/0	Pedal			
2	1	125110267/0	Couvre Etrier			
3	1	325547081/2	Plaquette			
4	4	112731601/0	Vis			
5	1	382000554/2	Tige	To 30-november-2017		
5	1	382000554/3	Tige	From 01-december-2017		
6	1	112521350/0	Rondelle			
7	1	112155000/0	Ecrou			
8	1	112521350/0	Rondelle			
9	1	112155000/0	Ecrou			
10	1	325547281/1	Plaquette			
11	2	112815210/0	Vis			
12	2	112523040/0	Rondelle			
13	2	112154510/0	Ecrou			
21	1	325785143/1	Support			
22	2	112815210/0	Vis			
23	1	112523040/0	Rondelle			
24	2	112154510/0	Ecrou			
25	1	325253009/0	Accrochage			
26	1	122524970/3	Goupille			
27	1	325670011/0	Rondelle Antifriction			
28	1	112155000/0	Ecrou			
29	1	125033047/0	Tige			
31	1	125430213/0	Ressort			
32	1	112523020/0	Rondelle			
33	1	125394509/1	Poignée			



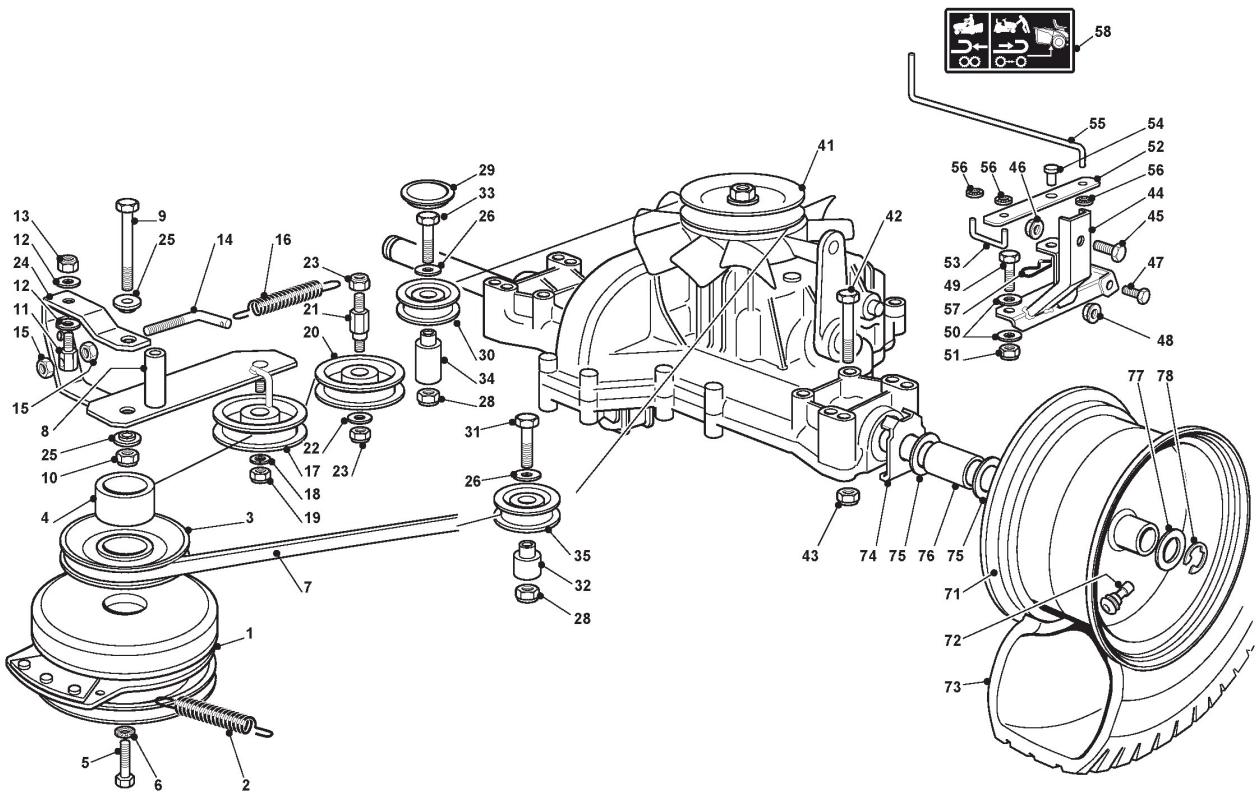
Commande Transmission

Réf. N°	Q.té :	Code article	Description	Articles	De	Jusqu'à
1	1	382500045/0	Pedal			
2	1	325110275/0	Couvre Etrier			
3	2	112793301/0	Vis			
4	1	382000559/1	Axe			
5	2	112155000/0	Ecrou			
6	1	125430246/1	Ressort			
7	1	325547133/1	Plaquette			
8	4	112731601/0	Vis			
10	4	112523040/0	Rondelle			
11	1	382000617/2	Axe			
12	1	325110274/0	Couvre Etrier Avant			
13	4	325785354/0	Support			
14	4	325034003/0	Douille			
15	4	112815271/0	Vis			
16	4	112154510/0	Ecrou			
17	1	325547207/0	Plaquette			
18	1	125510085/1	Pivot			
19	2	325670011/0	Rondelle Antifriction			
20	1	112521350/0	Rondelle			
21	1	112000930/0	Anneau Benzing			
22	1	125510085/1	Pivot			
23	2	325670011/0	Rondelle Antifriction			
24	1	112521350/0	Rondelle			
25	1	112000930/0	Anneau Benzing			
31	1	382000612/0	Tige			
32	1	112523060/0	Rondelle			
33	1	112154510/0	Ecrou			
34	2	112523040/0	Rondelle			
35	1	112154510/0	Ecrou			
36	1	325060050/0	Nocken			
37	2	112789100/0	Vis			
38	2	112154330/0	Ecrou			
39	1	325755071/0	Winkel			
40	1	325785479/0	Lenkkonsole			
41	2	112791400/0	Vis			
42	2	112292102/0	Ecrou			
43	1	119410614/0	Microinterrupteur			
61	1	325774477/0	Etrier			
62	2	112815210/0	Vis			
63	2	112292102/0	Ecrou			
64	1	125040638/0	Douille			
65	1	325022000/1	Accrochage			
66	1	112691100/0	Vis			
67	1	112523060/0	Rondelle			
68	1	322672152/0	Rondelle Antifriction			
69	1	112155000/0	Ecrou			
70	1	125033092/0	Feed Control Rod			
71	1	124487995/0	Goupille			



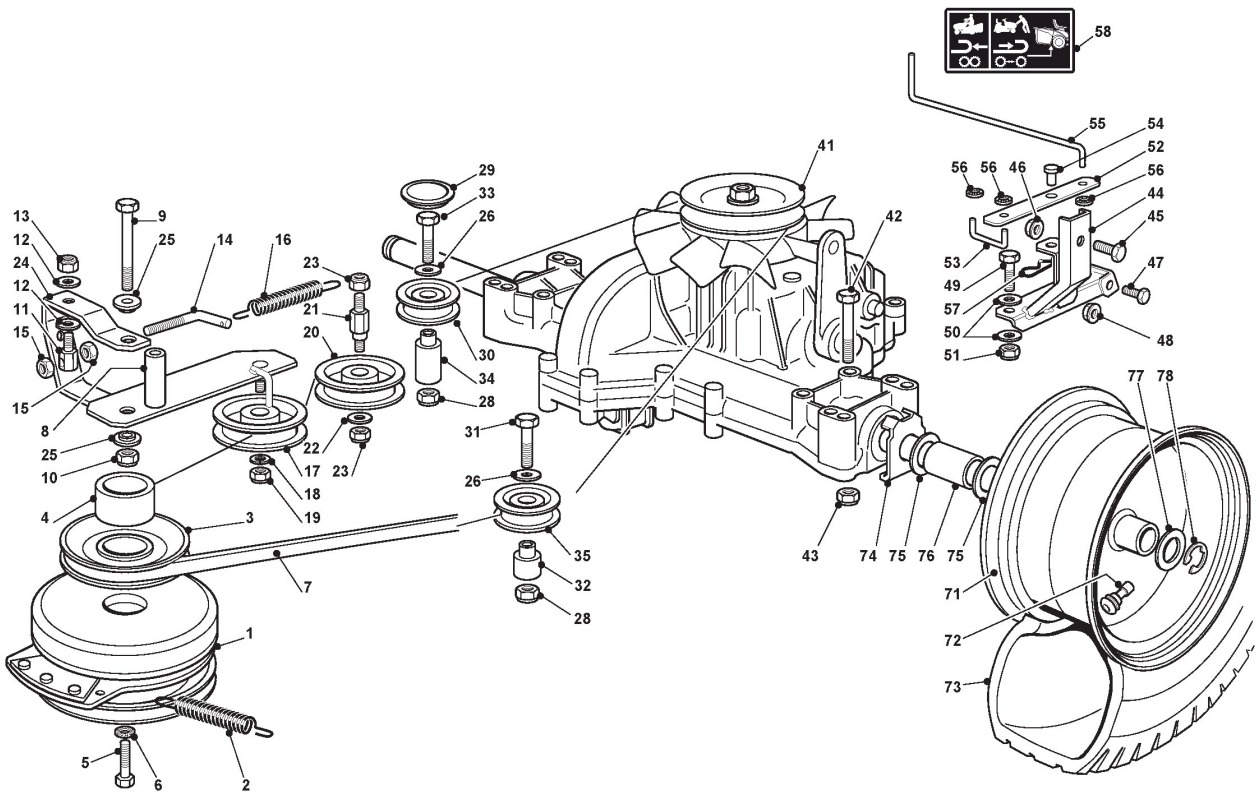
Commande Transmission

Réf. N°	Q.té :	Code article	Description	Articles	De	Jusqu'à
72	1	125430232/0	Ressort			
73	1	325605002/0	Poussoir			
74	1	112726389/0	Vis			
75	1	112290800/0	Ecrou			



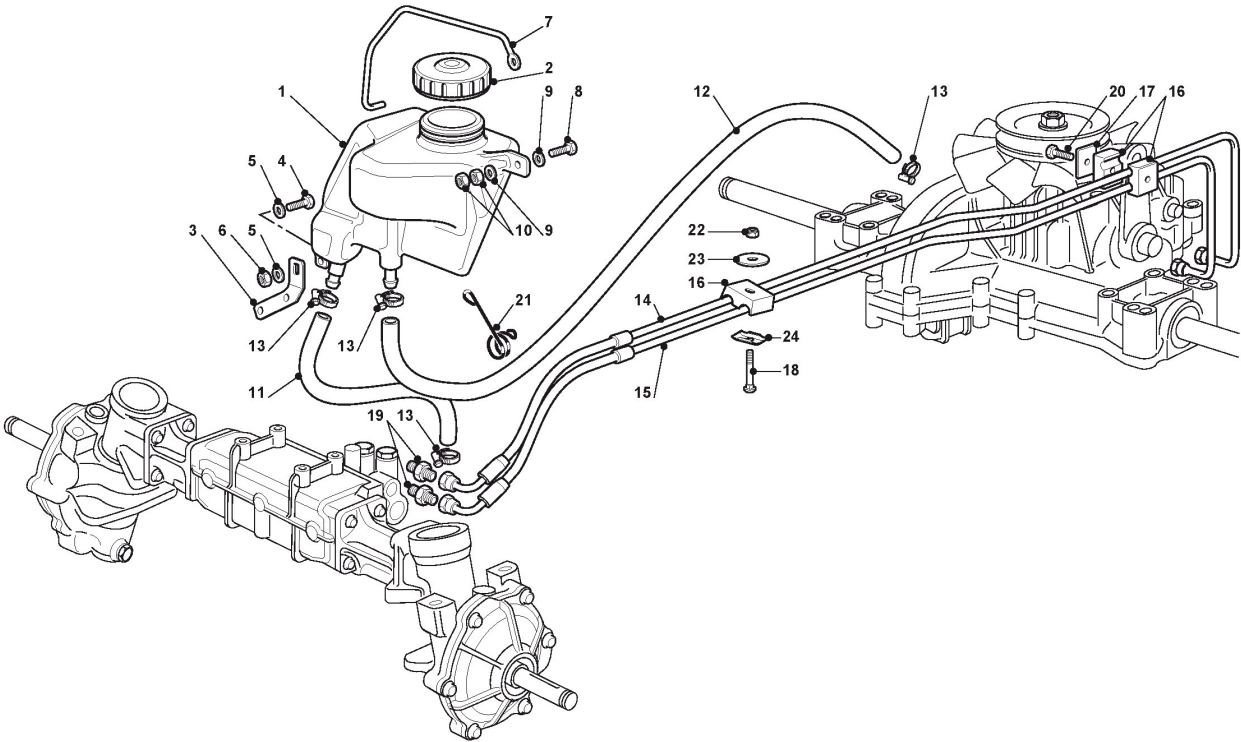
Groupe Transmission

Réf. N°	Q.té :	Code article	Description	Articles	De	Jusqu'à
1	1	118399062/0	Friction			
2	1	125430210/1	Ressort Frein			
3	1	125601580/0	Poulie			
4	1	125160021/0	Entretoise			
5	1	112737320/0	Vis			
6	1	112543000/0	Rondelle			
7	1	135062029/0	Courroie			
8	1	125160054/0	Entretoise			
9	1	112793905/0	Vis			
10	1	112155000/0	Ecrou			
11	1	125510040/2	Pivot			
12	2	325670011/0	Rondelle Antifriction			
13	1	112155000/0	Ecrou			
14	1	125840005/0	Tirant			
15	2	112293200/0	Ecrou			
16	1	125430219/1	Ressort			
17	1	125601554/0	Poulie			
18	1	112523060/0	Rondelle			
19	1	112155000/0	Ecrou			
20	1	325601599/0	Poulie			
21	1	125510139/0	Pivot			
22	1	112523060/0	Rondelle			
23	2	112155000/0	Ecrou			
24	1	382318251/1	Levier			
25	2	125038002/1	Douille			
26	4	112523060/0	Rondelle			
28	2	112155000/0	Ecrou			
29	1	125109521/1	Couvercle			
31	1	112691115/0	Vis			
32	1	125160030/2	Entretoise Gauche			
33	1	112691400/0	Vis			
34	1	125160024/2	Entretoise Droit			
35	1	325601570/1	Poulie			
41	1	118400975/0	Groupe Transmission K574D			
42	4	112691800/0	Vis			
43	4	112154210/0	Ecrou			
44	1	382785175/0	Support			
45	1	112793102/0	Vis			
46	1	112293201/0	Ecrou			
47	1	112792611/0	Vis			
48	1	112293201/0	Ecrou			
49	1	112691115/0	Vis			
50	2	112521350/0	Rondelle			
51	1	112155000/0	Ecrou			
52	1	325547229/0	Levier			
53	1	125580031/0	Tige			
54	1	127510111/0	Pivot			
55	1	125033079/0	Tige			



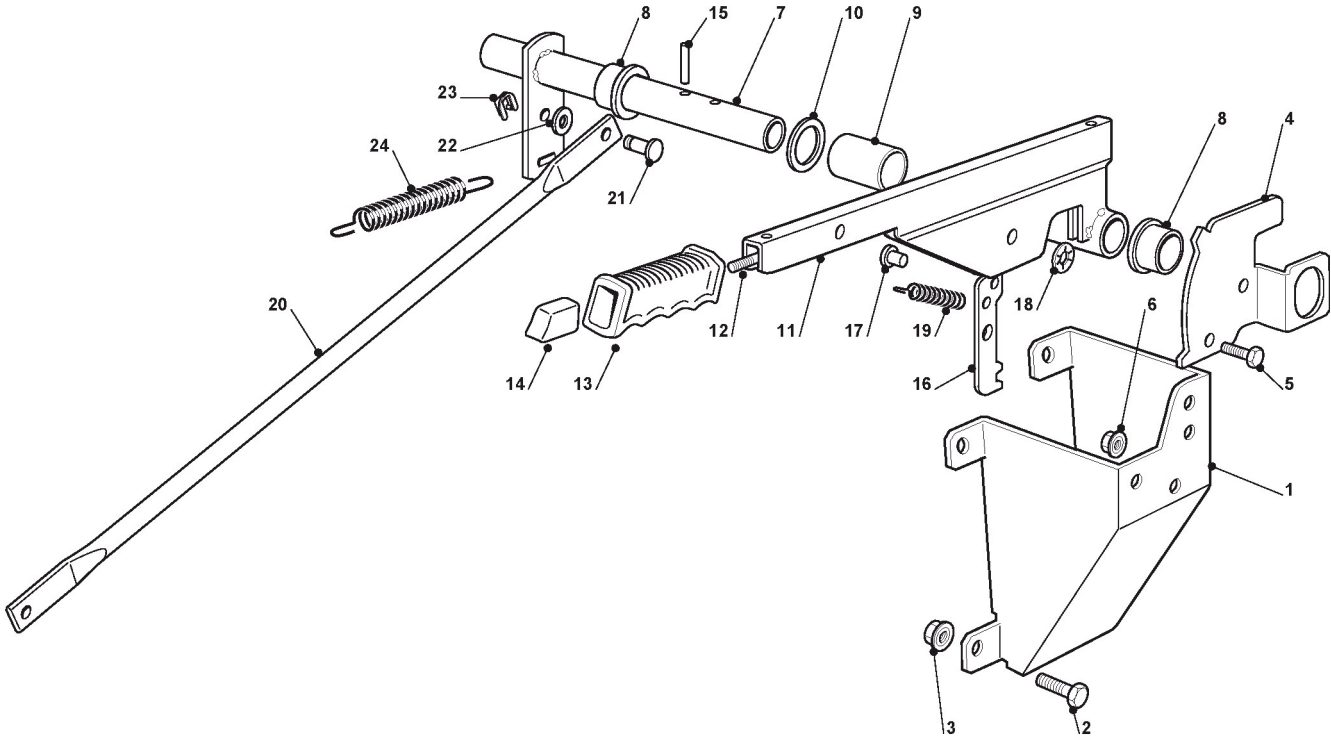
Groupe Transmission

Réf. N°	Q.té :	Code article	Description	Articles	De	Jusqu'à
56	3	112604896/0	Fixateur A Couronne			
57	1	124487997/0	Goupille			
58	1	114363696/0	Etiquette			
72	2	125950000/0	Vanne			
73	2	125590017/0	Pneu 20x10.00-10 P332 WANDA			
74	2	325670025/0	Rondelle			
75	4	112521410/0	Rondelle			
76	2	125160023/0	Entretoise			
77	2	125670005/2	Rondelle			
78	2	112001010/0	Anneau Benzing			



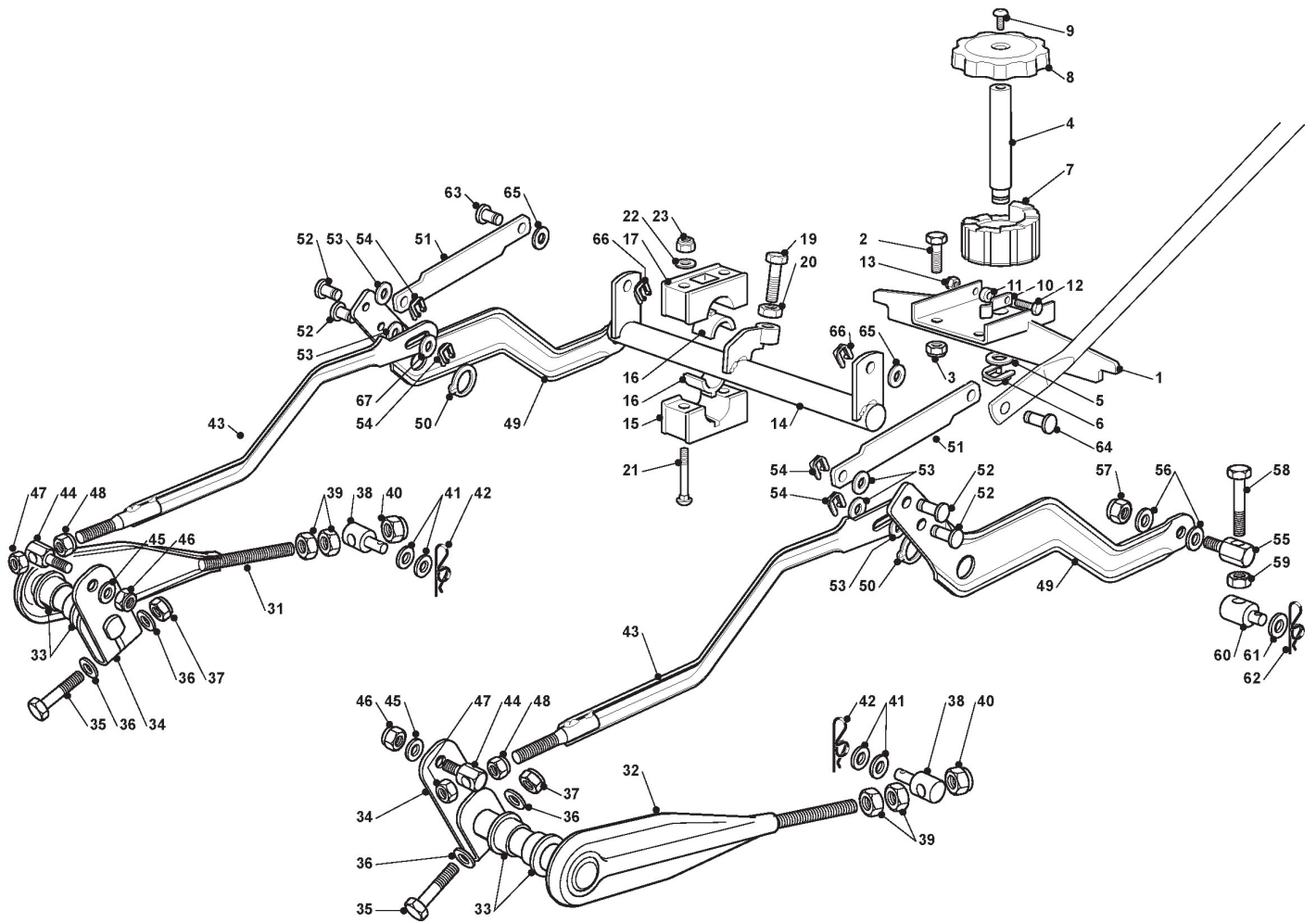
Getriebegruppe

Réf. N°	Q.té :	Code article	Description	Articles	De	Jusqu'à
1	1	325735127/0	Reservoir			
2	1	125795002/0	Bouchon Reservoir			
3	1	325755059/0	Equerre-Support			
4	1	112789100/0	Vis			
5	2	112521320/0	Rondelle			
6	1	112154330/0	Ecrou			
7	1	125600085/0	Protection			
8	1	112789100/0	Vis			
9	2	112521320/0	Rondelle			
10	2	112154330/0	Ecrou			
11	1	325869076/0	Tube De Connexion			
12	1	325869077/0	Tube De Connexion			
13	4	118375059/0	Fixation De Cable			
14	1	382869200/1	Tube			
15	1	382869201/0	Tube			
16	3	325721000/0	Support			
17	1	325547249/0	Plaquette			
18	1	112727783/0	Vis			
19	2	125651001/0	Connexion Tube			
20	1	112674700/0	Vis			
21	1	125430239/1	Ressort			
22	1	112154510/0	Ecrou			
23	1	322680009/0	Rondelle			
24	1	112437508/0	Plaquette			



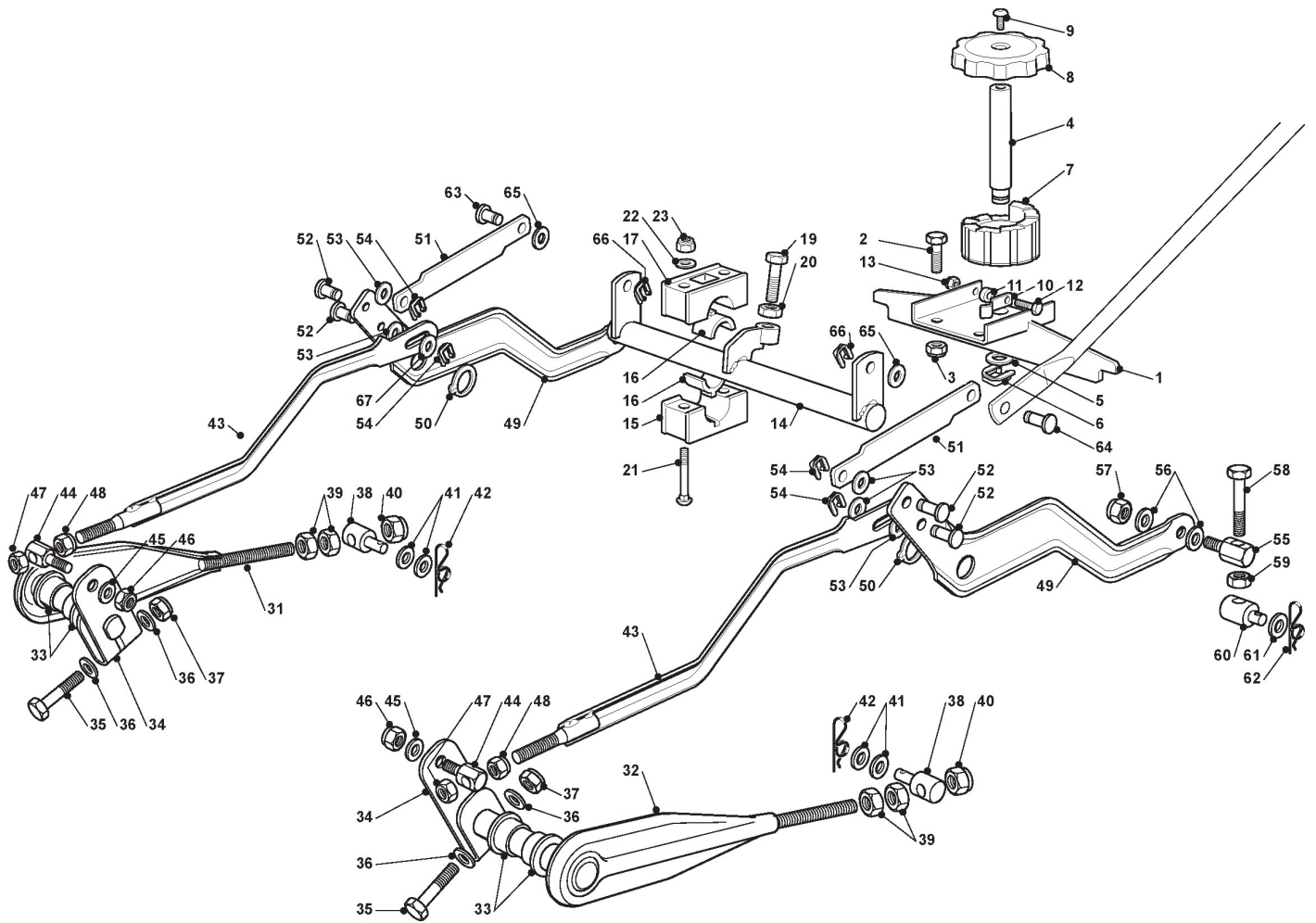
Soulevement Plateau De Coupe

Réf. N°	Q.té :	Code article	Description	Articles	De	Jusqu'à
1	1	325785137/1	Support			
2	4	112791011/0	Vis			
3	4	112292102/0	Ecrou			
4	1	325735521/0	Secteur			
5	2	112793102/0	Vis			
6	2	112293201/0	Ecrou			
7	1	382000551/0	Axe			
8	2	122034523/0	Douille			
9	1	125160025/0	Entretoise	To 31-august-2015		
9	1	125160025/1	Entretoise	From 01-september-2015		
10	1	322672153/0	Rondelle Antifriction			
11	1	382318241/0	Levier	To 31-august-2016		
11	1	382318241/1	Levier	From 01-september-2016		
12	1	125033002/0	Tige	To 31-august-2011		
12	1	125033002/1	Tige	From 01-september-2011		
13	1	125394504/1	Poignée			
14	1	125605000/1	Poussoir			
15	2	112620206/0	Goupille			
16	1	325470901/0	Declic	To 31-august-2011		
16	1	325470901/1	Declic	From 01-september-2011		
17	1	125510011/0	Pivot			
18	1	112604899/0	Fixateur A Couronne			
19	1	125430208/0	Ressort			
19	1	125430208/1	Ressort	From 01-september-2015		
20	1	325033077/0	Tige			
21	1	125510117/0	Pivot			
22	1	325670011/0	Rondelle Antifriction			
23	7	112436050/0	Plaquette			
24	1	125430218/0	Ressort	To 31-august-2011		
24	1	125430218/1	Ressort	From 01-september-2011		



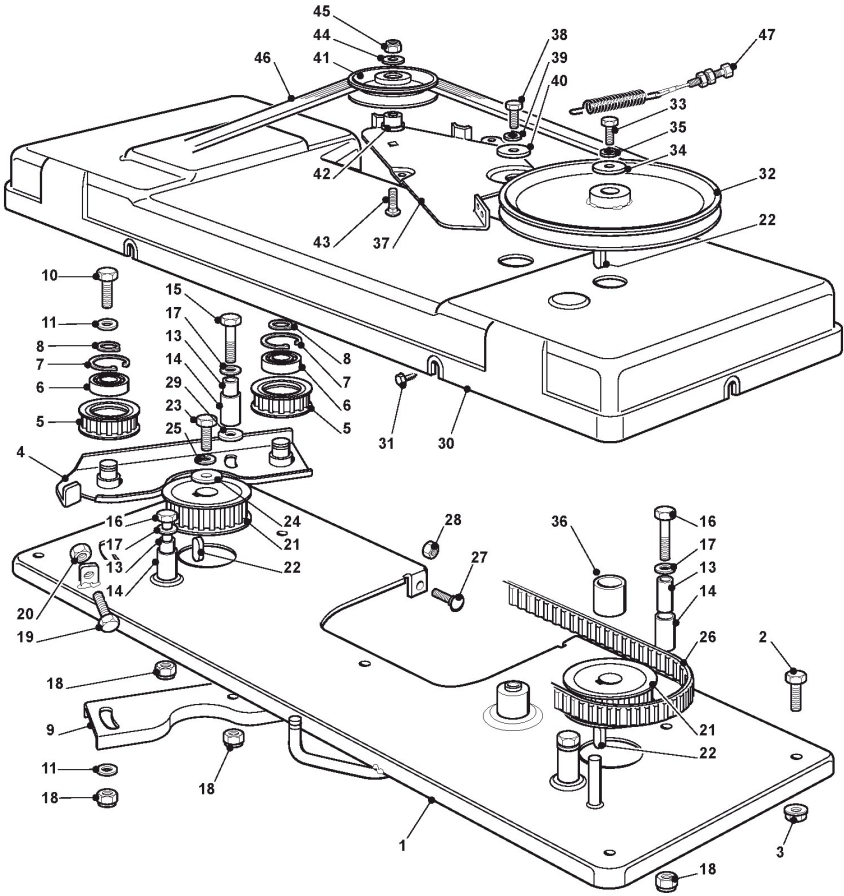
Soulevement Plateau De Coupe

Réf. N°	Q.té :	Code article	Description	Articles	De	Jusqu'à
1	1	382785181/1	Etrier	To 30-november-2017		
1	1	382785181/2	Support	From 01-december-2017		
2	2	112818690/0	Vis	To 31-august-2017		
2	2	9897-0820-16	Vis	From 01-september-2017		
3	2	112293201/0	Ecrou			
4	1	125520009/0	Axe			
5	1	322672151/0	Rondelle Antifriction			
6	1	112436030/0	Plaquette			
7	1	325060037/0	Came			
8	1	325394530/0	Poignée			
9	1	112760600/0	Vis			
10	1	325430267/0	Ressort			
11	1	122170600/0	Entretoise			
12	1	112789195/0	Vis			
13	1	112154320/0	Ecrou			
14	1	382000615/0	Axe			
15	2	325785355/0	Support			
16	4	325034003/0	Douille			
17	2	325785354/0	Support			
19	1	125943005/0	Vis			
20	1	112295200/0	Ecrou			
21	4	112815271/0	Vis			
22	4	112523040/0	Rondelle			
23	4	112154510/0	Ecrou			
31	1	382318155/0	Front Right Fulcrum Lever			
32	1	382318157/0	Point D'Appui			
33	4	125040605/0	Douille			
34	2	325318161/0	Levier			
35	2	112691700/0	Vis			
36	4	112521350/0	Rondelle			
37	2	112155000/0	Ecrou			
38	2	125510069/1	Pivot			
39	4	112295200/0	Ecrou			
40	2	112156602/0	Ecrou			
41	4	325670008/1	Rondelle			
42	2	124487998/0	Goupille			
43	2	382000477/2	Ens. Tige De Connexion			
44	2	125510055/1	Pivot			
45	2	112521350/0	Rondelle			
46	2	112155000/0	Ecrou			
47	2	112155000/0	Ecrou			
48	2	112293200/0	Ecrou			
49	2	325318153/1	Levier Arriere			
50	2	112609255/0	Seeger			
51	2	325318223/0	Levier			
52	4	125510117/0	Pivot			
53	4	325670011/0	Rondelle Antifriction			
54	4	112436050/0	Plaquette			



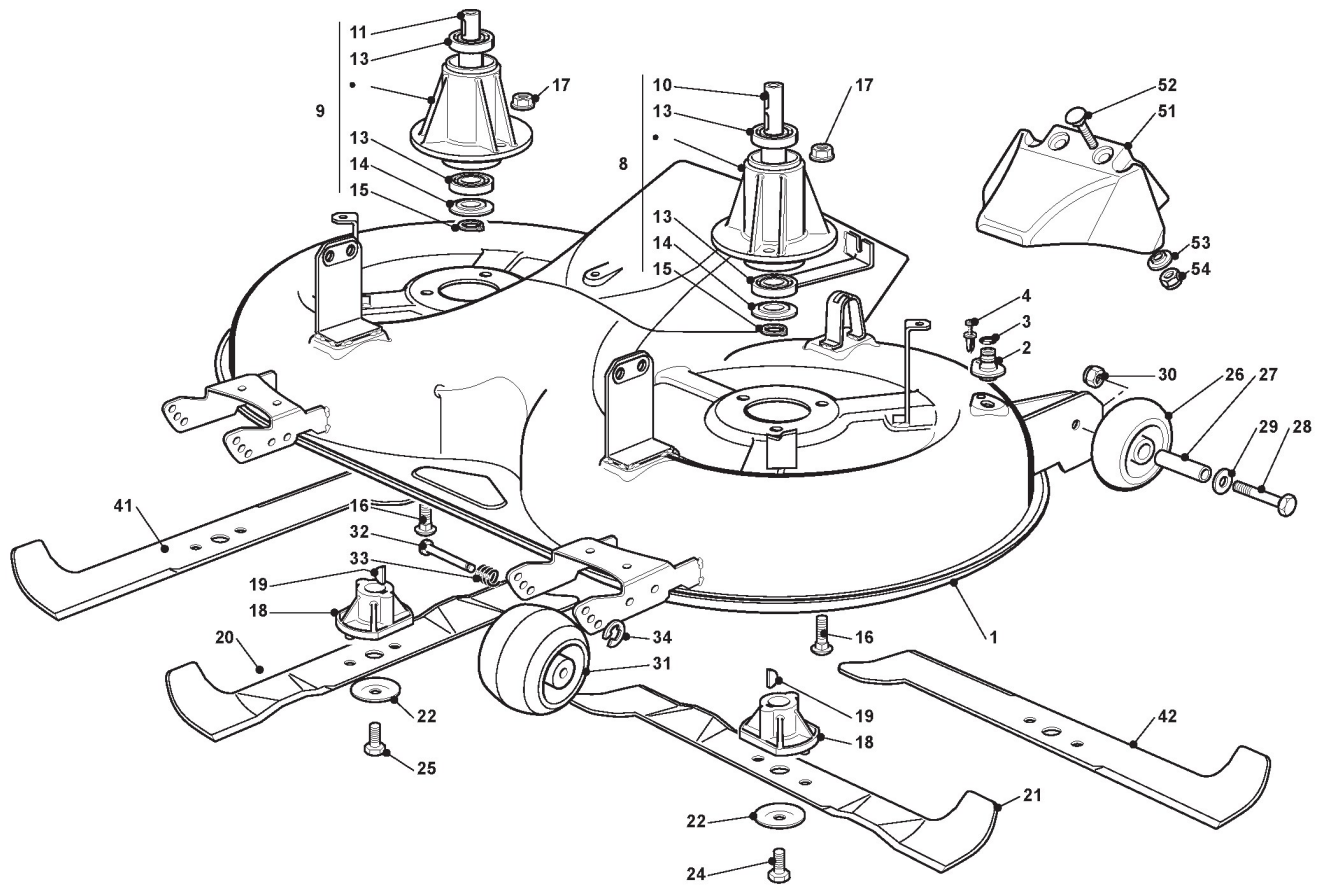
Soulevement Plateau De Coupe

Réf. N°	Q.té :	Code article	Description	Articles	De	Jusqu'à
55	2	125510056/0	Pivot			
56	4	325670008/1	Rondelle			
57	2	112156602/0	Ecrou			
58	2	112794985/0	Vis			
59	2	112295200/0	Ecrou			
60	2	125510070/0	Pivot			
61	2	112523090/0	Rondelle			
62	2	124487998/0	Goupille			
63	1	125510117/0	Pivot			
64	1	125510048/1	Pivot			
65	2	325670011/0	Rondelle Antifriction			
66	2	112436050/0	Plaquette			
67	2	112521350/0	Rondelle			



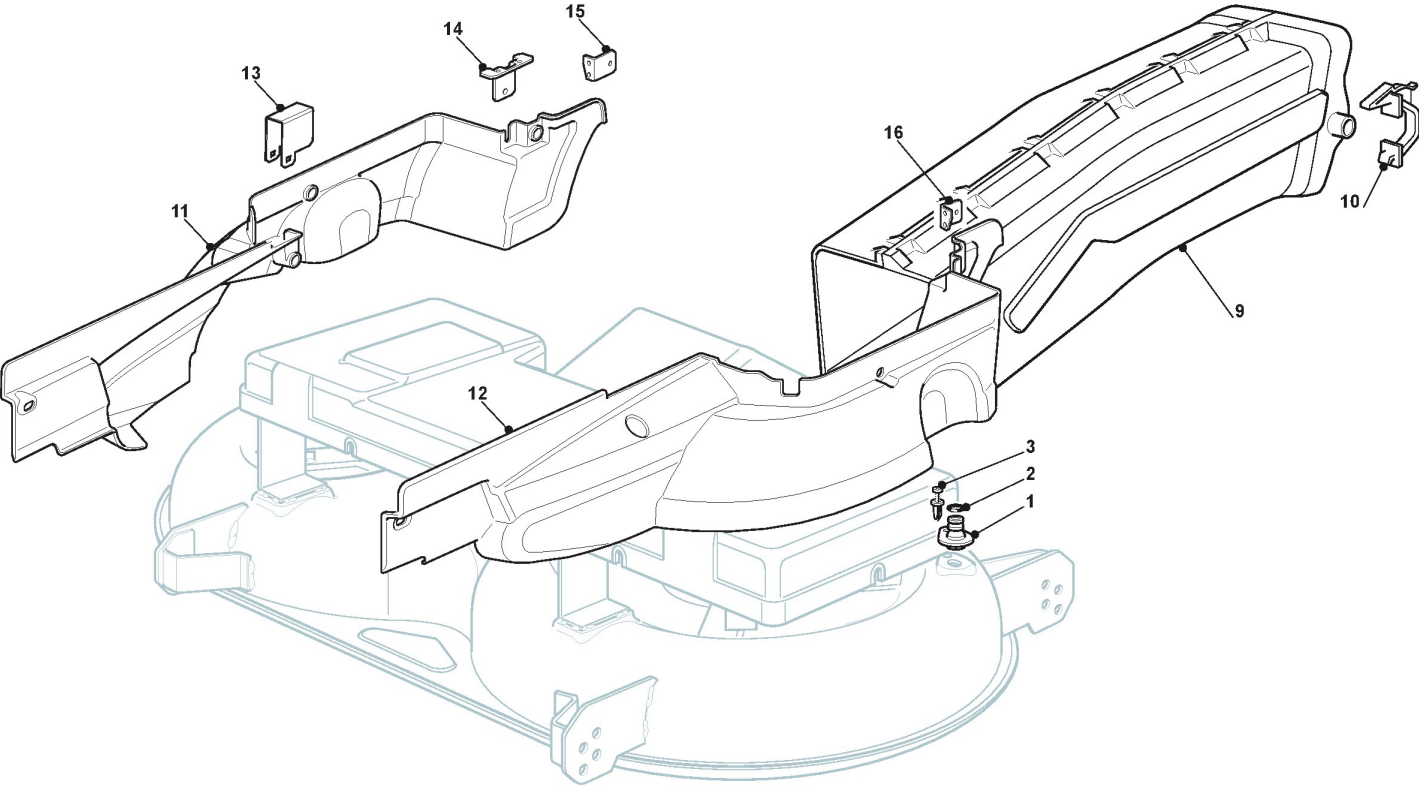
Plateau De Coupe

Réf. N°	Q.té :	Code article	Description	Articles	De	Jusqu'à
1	1	382547029/3	Plaque			
2	4	112792611/0	Vis			
3	4	112293201/0	Ecrou			
4	1	382785249/0	Support			
5	2	125601559/1	Poulie			
6	2	119216048/0	Roulement			
7	2	112610800/0	Anneau Ressort			
8	2	112609200/0	Seeger			
9	1	325650037/1	Reinforcement Poulie			
10	3	112691700/0	Vis			
11	7	112521350/0	Rondelle			
13	4	125160003/2	Entretoise			
14	4	125038000/0	Douille			
15	1	112691700/0	Vis			
16	3	112691200/0	Vis			
17	4	112521350/0	Rondelle			
18	4	112155000/0	Ecrou			
19	1	112793900/0	Vis			
20	1	112293200/0	Ecrou			
21	2	125601560/0	Poulie			
22	3	112139480/0	Clavette			
23	1	112793102/0	Vis			
24	1	125670007/0	Rondelle			
25	1	112583500/0	Grower			
26	1	135065600/0	Courroie			
27	3	112815200/0	Vis			
28	3	112292102/0	Ecrou			
29	1	122671651/0	Rondelle			
30	1	325060128/0	Carter			
31	6	112735110/0	Vis			
32	1	125601550/0	Poulie			
33	1	112793102/0	Vis			
34	1	125670007/0	Rondelle			
35	1	112583500/0	Grower			
36	1	125160002/1	Entretoise			
37	1	325318115/2	Levier Frein			
38	1	112793102/0	Vis			
39	1	112583500/0	Grower			
40	1	112523070/0	Rondelle			
41	1	325601599/0	Poulie			
42	1	125160079/0	Entretoise			
43	1	112818900/0	Vis			
44	1	122671651/0	Rondelle			
45	1	112155000/0	Ecrou			
46	1	135062811/0	Courroie			
47	1	182004608/0	Fil			



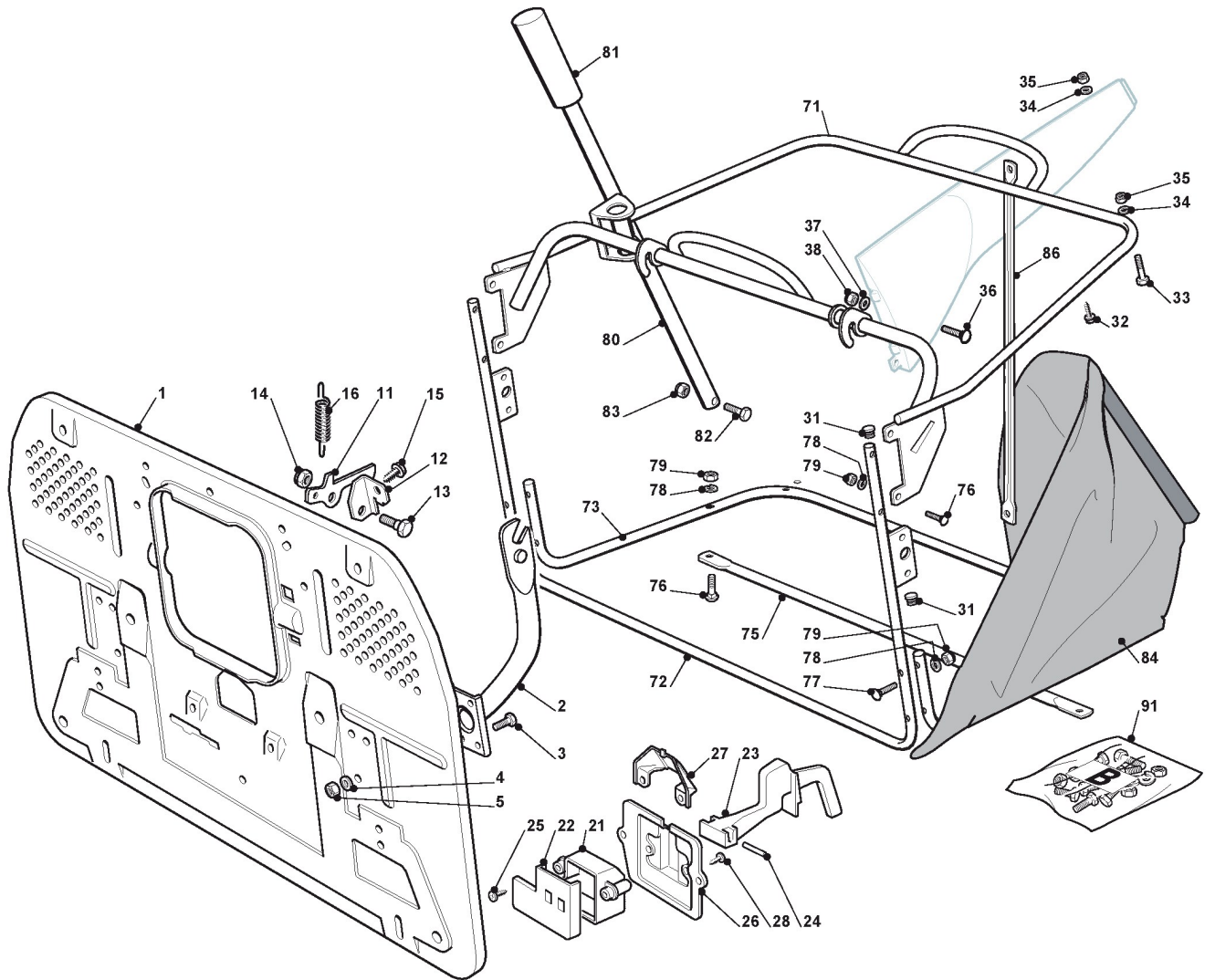
Plateau De Coupe

Réf. N°	Q.té :	Code article	Description	Articles	De	Jusqu'à
1	1	382564133/0	Plateau De Coupe Jaune			
2	2	125033060/0	Attaque Lavage Plateau De Coupe			
3	2	119035000/0	Joint Or			
4	2	112500030/0	Rivet			
8	1	382207200/1	Ensemble Bride			
9	1	382207201/2	Flange Arbre Lame Secondaire			
10	1	125020800/1	Arbre Lame Principal			
11	1	125020801/2	Arbre Lame Secondaire			
13	4	119216047/0	Roulement			
14	2	325160501/0	Protege-Poussiere			
15	2	112609260/0	Seeger			
16	6	112818700/0	Vis	To 31-august-2016		
16	1	9959-0825-16	Vis	From 01-september-2016		
17	6	112154210/0	Ecrou			
18	2	125463200/0	Moyeu Lame			
19	2	112139100/0	Languette			
20	1	182004348/0	Lame Droit Mulching, Aillettee			
21	1	182004347/0	Lame Gauche Mulching, Aillettee			
22	2	125160503/0	Flasque Elastique Moyeu			
24	1	112735696/0	Vis			
25	1	112735697/1	Vis			
26	2	182700003/0	Roulettes Antiscalp			
27	2	125510072/1	Pivot			
28	2	112692050/0	Vis			
29	2	112523060/0	Rondelle			
30	2	112293201/0	Ecrou			
31	2	182700004/0	Roulettes Antiscalp			
32	2	125510121/0	Pivot	To 31-august-2016		
32	2	125510121/1	Pivot	From 01-september-2016		
33	2	122450115/0	Ressort			
34	2	112000930/0	Anneau Benzing			
41	1	182004341/1	Lame Droit, Aillettee			
42	1	182004340/1	Lame Gauche, Aillettee			
51	1	325140100/0	Deflecteur			
52	2	112815210/0	Vis			
53	2	125038002/1	Douille			
54	2	112154510/0	Ecrou			



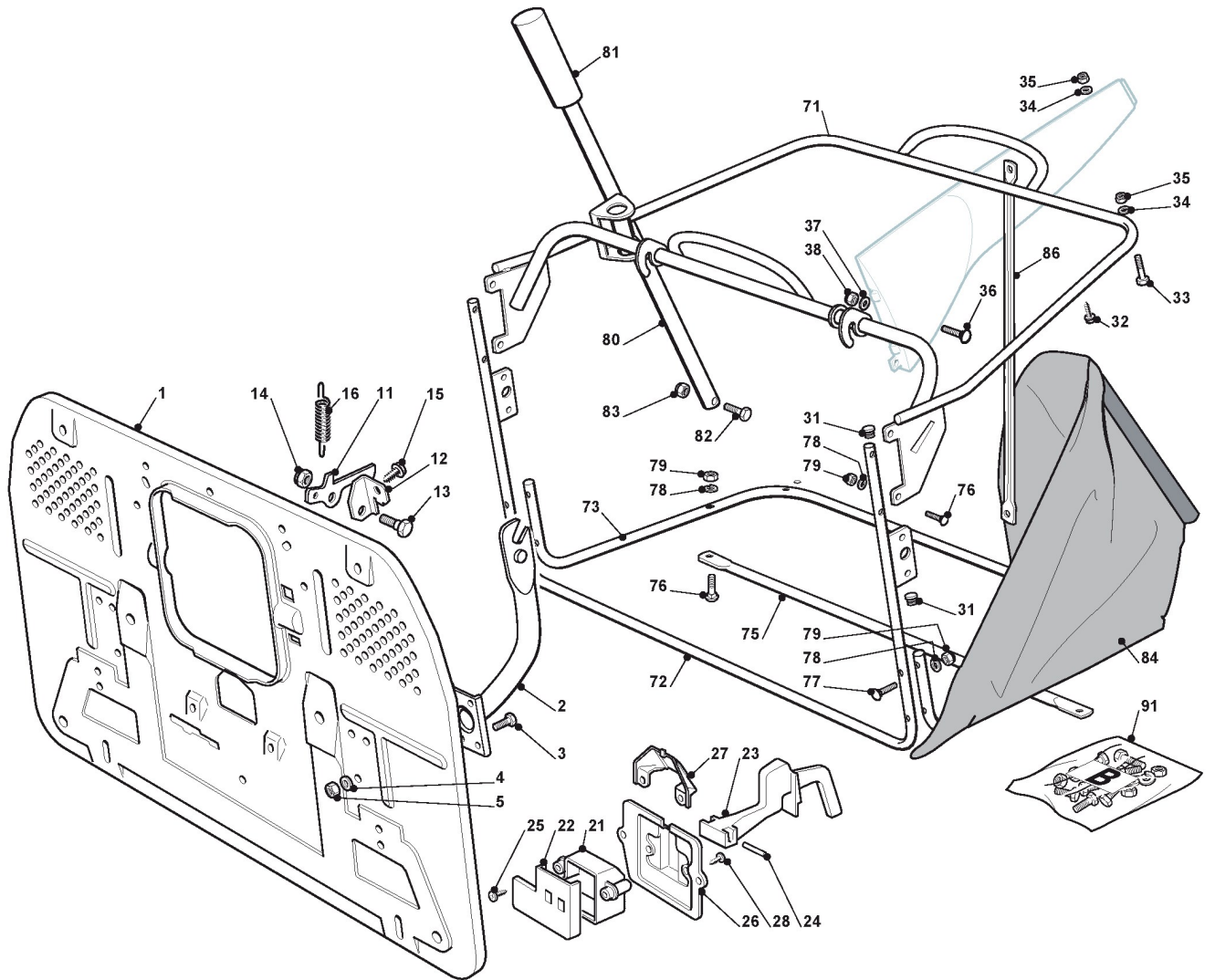
Protections Et Convoyeur

Réf. N°	Q.té :	Code article	Description	Articles	De	Jusqu'à
1	2	125033060/0	Attaque Lavage Plateau De Coupe			
2	2	119035000/0	Joint Or			
3	2	112500030/0	Rivet			
9	1	382108017/0	Convoyeur			
10	2	325774373/0	Etrier			
11	1	325060150/0	Carter Protection Courroie Droit			
12	1	325060151/0	Carter Protection Courroie Droit			
13	2	325774267/0	Etrier			
14	2	325774423/0	Etrier			
15	1	325774425/0	Etrier			
16	1	325774421/0	Etrier			



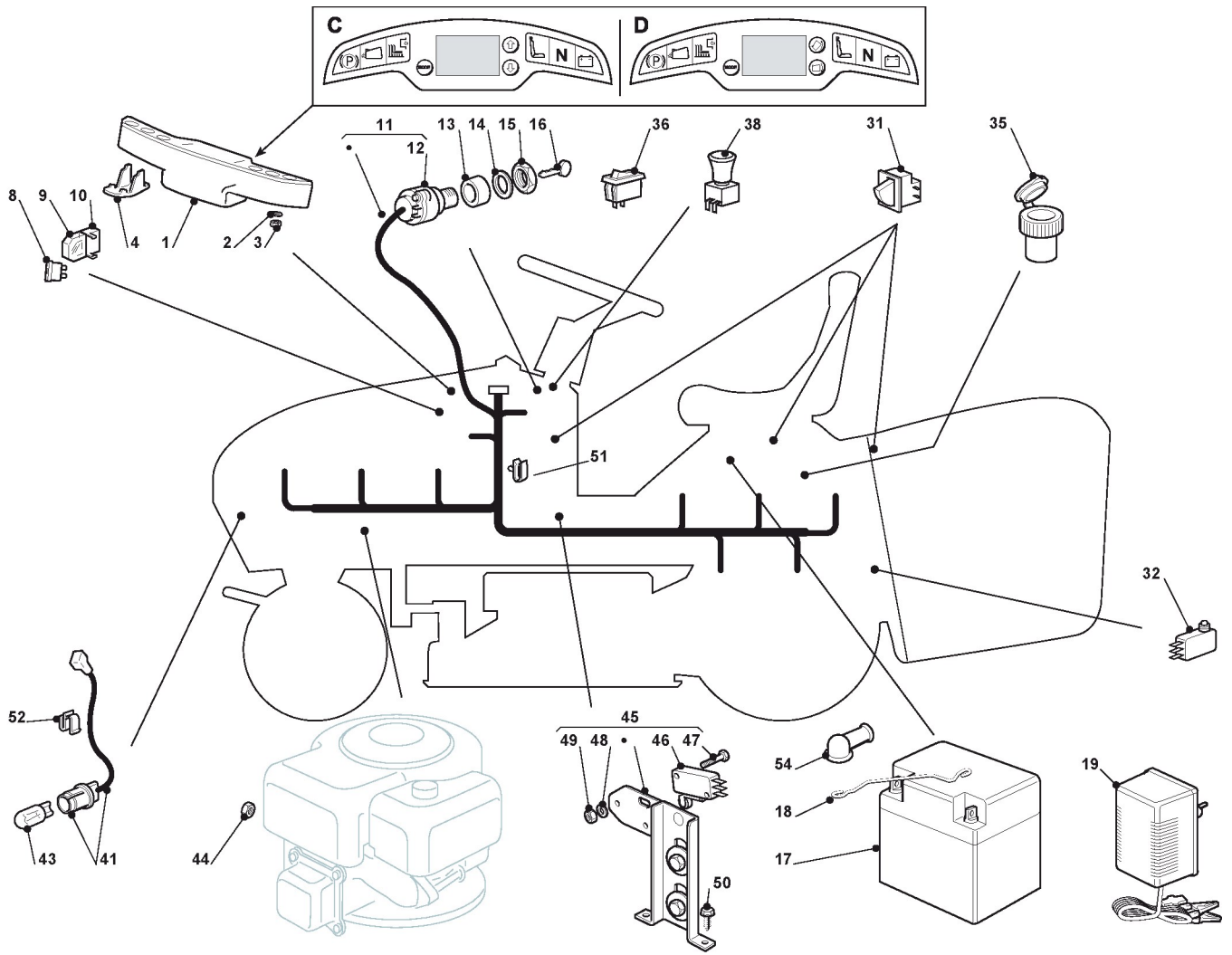
Bac

Réf. N°	Q.té :	Code article	Description	Articles	De	Jusqu'à
1	1	382547051/0	Plaquette	To 31-august-2016		
1	1	382547051/1	Plaquette	From 01-september-2016		
2	2	182774225/1	Etrier			
3	6	112793102/0	Vis			
4	6	112523060/0	Rondelle			
5	6	112293201/0	Ecrou			
11	1	325774417/0	Etrier			
12	1	325755031/1	Equerre-Support	To 31-august-2015		
12	1	325755031/2	Equerre-Support	From 01-september-2015		
13	1	125510080/1	Pivot	To 31-august-2016		
13	1	125510080/2	Pivot	From 01-september-2016		
14	1	112292102/0	Ecrou			
15	1	112735122/0	Vis	To 31-august-2016		
15	1	112735122/1	Vis	From 01-september-2016		
16	1	127430571/0	Ressort	From 01-september-2012		
16	1	127430579/0	Ressort	To 31-august-2012		
21	1	125600041/0	Grassc.Full Micro Protection Tcj-F			
22	1	125600042/0	Grasscatcher Micro Prot Cover			
23	1	125318124/0	Levier Microint.			
24	1	112400030/0	Pivot			
25	1	112728510/0	Vis			
26	1	325785272/0	Protection Micro	To 31-august-2017		
26	1	325785272/1	Protection Micro	From 01-september-2017		
27	1	125600048/0	Empty Micro Grassc.Protection Cover			
28	2	112728450/0	Vis			
31	4	118566110/0	Embout	From 01-september-2014		
31	4	118566111/0	Bouchon	To 31-august-2014		
32	4	112735410/0	Vis			
33	2	112689500/0	Vis			
34	4	112521330/0	Rondelle			
35	4	112154510/0	Ecrou			
36	2	112815220/0	Vis			
37	2	112521330/0	Rondelle			
38	2	112154510/0	Ecrou			
71	1	382800123/1	Chassis Superieur			
72	1	382800089/1	Chassis Avant			
73	1	325800031/0	Chassis Inferieur			
75	1	382650039/0	Renforcement Inferieure	To 31-august-2011		
75	1	382650043/0	Renforcement Inferieure	From 01-september-2011		
76	6	112815220/0	Vis			
77	4	112815245/0	Vis			
78	10	112521330/0	Rondelle			
79	10	112154510/0	Ecrou			
80	1	125869029/1	Tube			
81	1	125394508/0	Poignée			
82	1	112674550/0	Vis			
83	1	112154510/0	Ecrou			



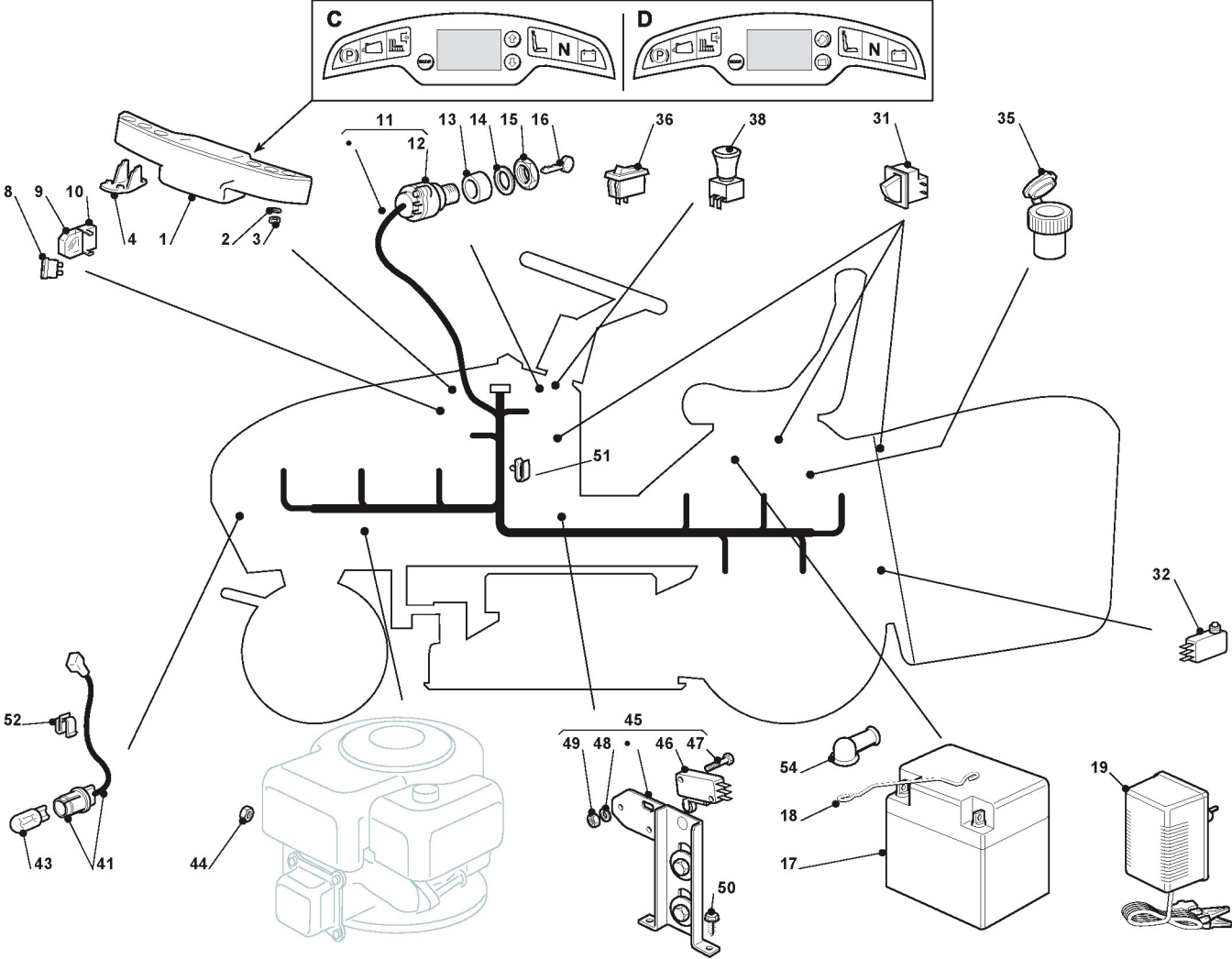
Bac

Réf. N°	Q.té :	Code article	Description	Articles	De	Jusqu'à
84	1	182105945/0	Bac			
86	1	325650159/0	Réforcement Arriere			
91	1	382180116/0	Dotation Visserie			



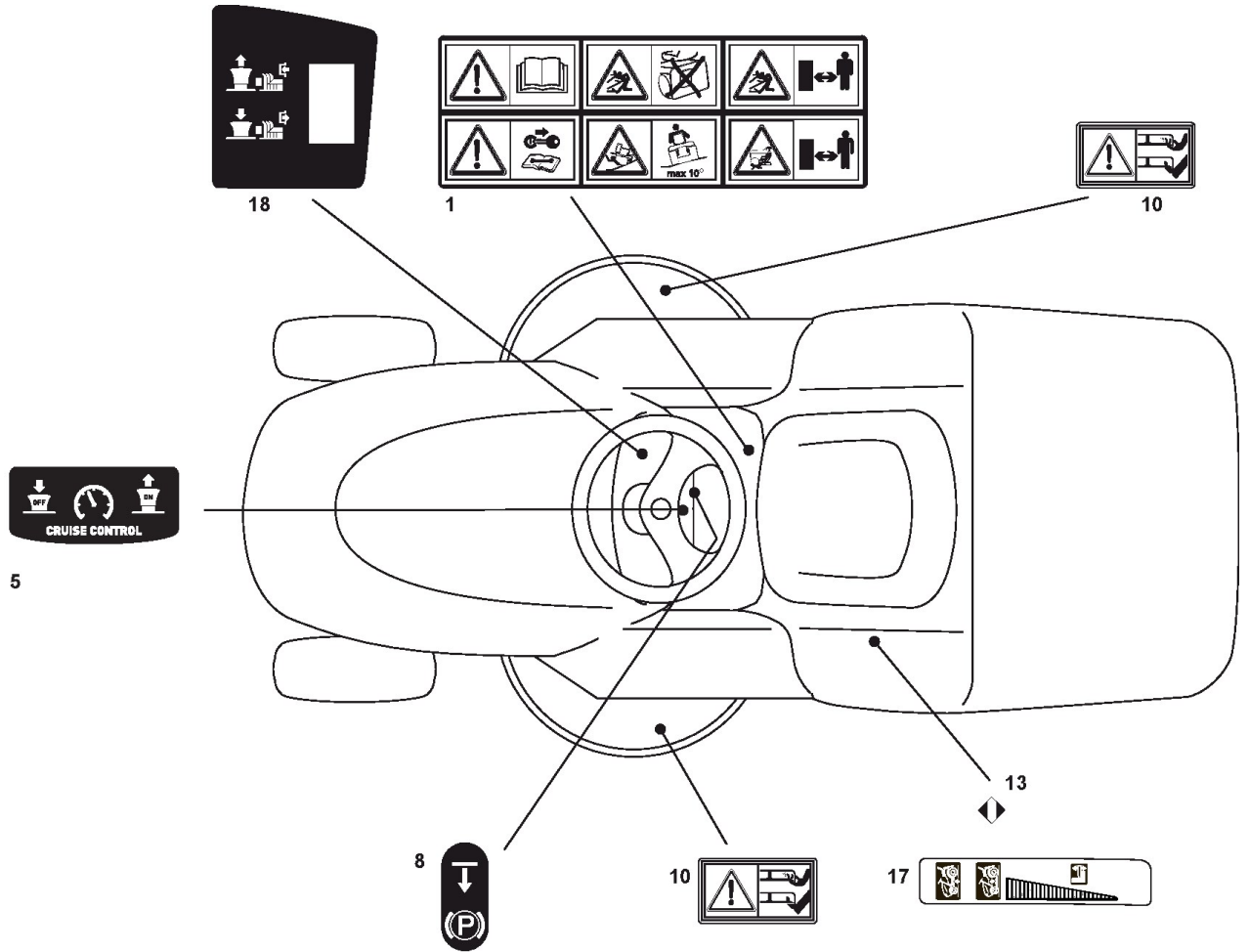
Parties Electriques

Réf. N°	Q.té :	Code article	Description	Articles	De	Jusqu'à
1	1	382722423/2	Cartes + Protections (C)	From 01-september-2010 To 31-august-2014		
1	1	382722434/0	Cartes + Protections (C)	From 01-september-2014 To 31-august-2017		
1	1	382722434/1	Cartes + Protections (C)	From 01-september-2017		
1	1	82722423/1	Cartes + Protections (C)	To 31-august-2010		
2	2	112521320/0	Rondelle			
3	2	112154330/0	Ecrou			
4	1	325031501/0	Amplificateur Sonore Buzzer			
8	1	133340035/0	Fusible 15 A			
8	1	133340036/0	Fusible 25 A			
8	1	133340040/0	Fusible 10 A			
9	2	133215000/0	Couvercle			
10	2	133500007/0	Tableau De Fusible			
11	1	182040149/0	Ens. Cablages	To 31-august-2011		
11	1	182040179/0	Ens. Cablages	From 01-september-2011 To 31-august-2014		
11	1	182040205/0	Ens. Cablages - ISO	From 01-september-2014 To 31-august-2017		
11	1	182040217/0	Ens. Cablages	From 01-september-2017 To 31-october-2017		
11	1	182040217/1	Ens. Cablages	From 01-november-2017		
12	1	118450072/0	Interrupteur Demarrage			
13	1	118550136/0	Entretoise			
14	1	118550135/0	Rondelle			
15	1	118400862/0	Bague			
16	1	118210022/0	Clef A Demarrage			
17	1	118120057/0	Batterie			
18	1	125430230/0	Ressort			
19	1	182180090/0	Chargeur De Batteries 12V 1A - CE Plugg	CE Plug		
31	3	119410613/0	Microinterrupteur			
32	1	119410605/1	Microinterrupteur			
35	1	9400-0317-01	Prise Auxiliaire			
36	1	118450060/1	Interrupteur Phares	To 31-august-2016		
36	1	118450060/1LC	Interrupteur Phares	From 01-september-2016		
38	1	118450074/0	Interrupteur Embrajage			
41	1	182040073/0	Câble de phare	For Lamp Version		
43	2	118459100/0	Lamp For Lights			
44	1	112361005/0	Ecrou			
45	1	382394853/0	Micro. Ens.	To 31-august-2015		
45	1	382394853/0LC	Mikrosatz	From 01-september-2015		
46	1	119410609/0	Microinterrupteur	To 31-august-2014		
46	1	119410609/1	Microinterrupteur	From 01-september-2014 To 31-august-2015		
46	1	119410609/1LC	Microinterrupteur	From 01-september-2015		
47	2	112735602/0	Vis			
48	2	112581100/0	Grower			
49	2	112290791/0	Ecrou			
50	2	112735110/0	Vis			
51	5	133320506/0	Fixation Cable			
52	1	133320504/0	Fixation Cable			



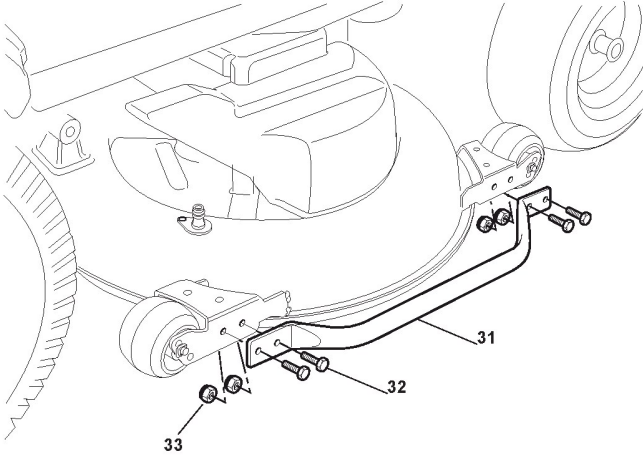
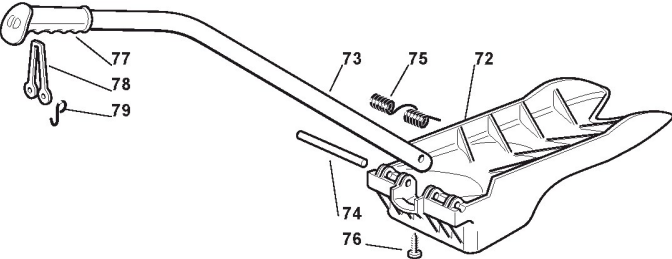
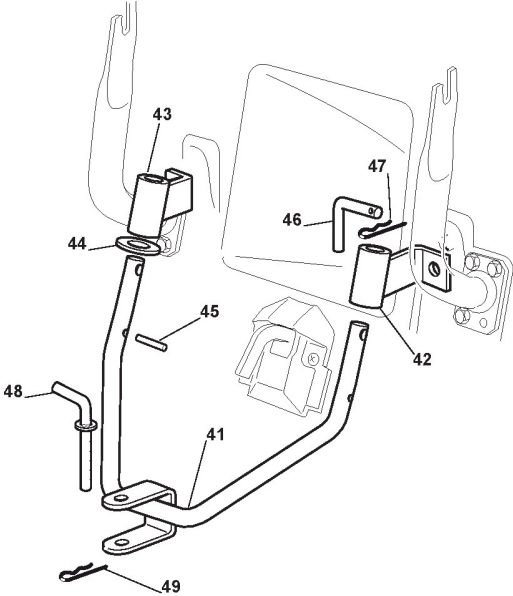
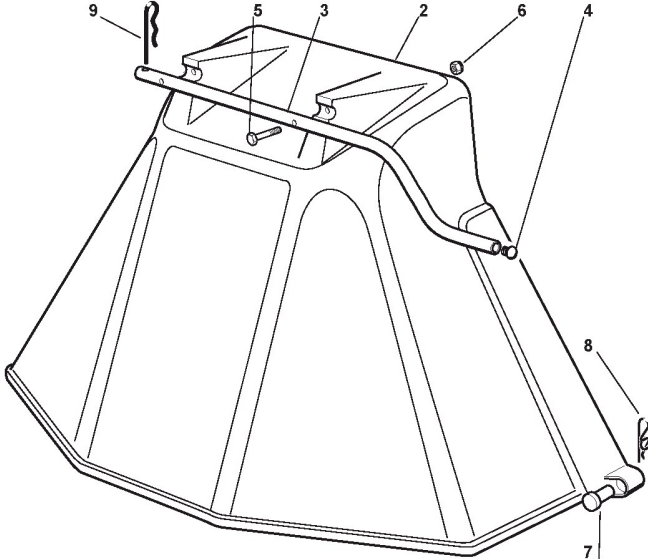
Parties Electriques

Réf. N°	Q.té :	Code article	Description	Articles	De	Jusqu'à
54	1	118564864/1	Capuchon			



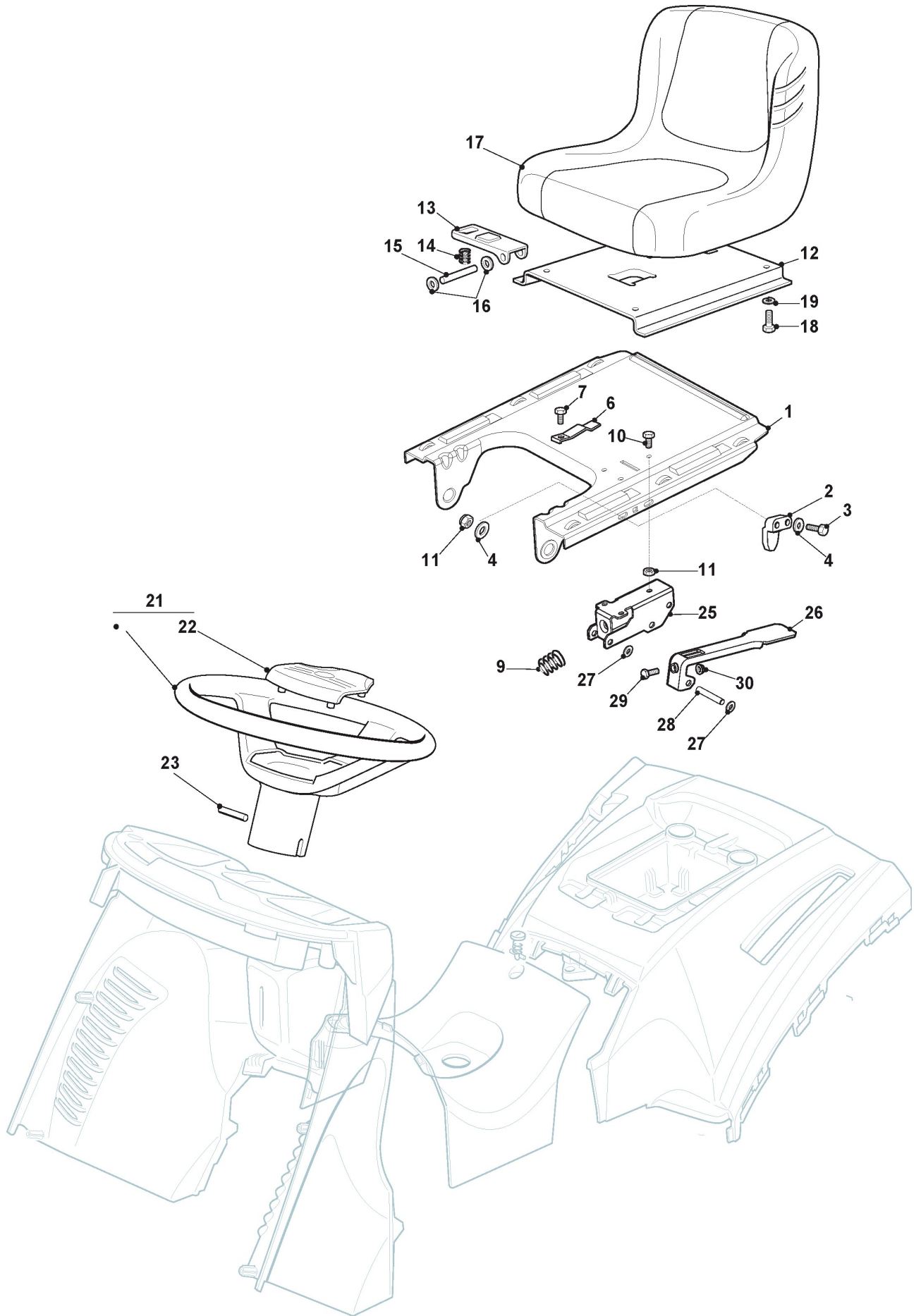
Etiquettes

Réf. N°	Q.té :	Code article	Description	Articles	De	Jusqu'à
1	1	114361553/1	Etiquette			
5	1	114365612/0	Etiquette	To 31-august-2017		
5	1	114365612/1	Etiquette daccélérateur	From 01-september-2017		
8	1	114363700/0	Etiquette			
10	2	114356699/1	Etiquette			
13	1	114357913/0	Etiquette			
17	1	114363414/0	Etiquette			
18	1	114360715/2	Etiquette	To 31-august-2017		
18	1	114360715/3	Etiquette	From 01-september-2017		



Accessoires Sur Demande

Réf. N°	Q.té :	Code article	Description	Articles	De	Jusqu'à
2	1	382400003/1	Protection Sortie			
3	1	325869043/0	Support Arriere			
4	2	118566112/0	Polyethylene Push Road Ivars D=20inch			
5	2	112689515/0	Vis			
6	2	112154510/0	Ecrou			
7	2	125510022/0	Pivot	To 31-august-2012		
7	1	125510022/1	Pivot	From 01-september-2012		
8	2	124487998/0	Goupille			
9	1	124487999/0	Goupille			
31	2	325869081/0	Renforcement			
32	6	112793102/0	Vis			
33	6	112155000/0	Ecrou			
41	1	382033113/0	Tige			
42	1	382774265/0	Etrier Support Trainage Droit			
43	1	382774267/0	Etrier Support Trainage Gauche			
44	2	112521395/0	Rondelle			
45	2	112620305/0	Goupille Élastique			
46	2	125510118/0	Pivot			
47	2	124487997/0	Goupille			
48	1	125510021/1	Pivot			
49	1	124487999/0	Goupille			
72	1	325140097/0	Deflecteur			
73	1	325394019/0	Guidon			
74	1	125510077/0	Pivot			
75	1	125430245/0	Ressort			
76	1	112735405/0	Vis			
77	1	325280000/1	Branche			
78	1	125840011/1	Tirant			
79	2	125253004/0	Crochet Fixage Kit Mulching			



Siege & Volant

Réf. N°	Q.té :	Code article	Description	Articles	De	Jusqu'à
1	1	325785149/3	Support Siege Fixe	To 31-august-2017		
1	1	382785301/0	Support Siege Fixe	From 01-september-2017		
2	1	325060049/0	Came Interrupteur Siege			
3	2	112815050/0	Vis			
4	4	112521320/0	Rondelle			
6	1	125430203/1	Ressort			
7	1	112731580/0	Vis			
9	1	125430285/0	Feder	To 31-august-2017		
9	1	125430291/0	Ressort	From 01-september-2017		
10	2	112735661/0	Vis			
11	1	112154330/0	Ecrou			
12	1	325785147/2	Support Siege			
13	1	325318109/1	Levier D'Arret			
14	1	125430202/1	Ressort			
15	1	125510000/0	Pivot			
16	2	112604897/0	Disque Elastique			
17	1	125722459/0	Siege	To 31-august-2016		
17	1	125722468/0	Siege	From 01-september-2016		
18	4	112793102/0	Vis			
19	4	112583500/0	Grower			
21	1	125961214/1	Volant	To 31-august-2016		
21	1	125961217/1	Coated Steering Wheel Black Tc	From 01-september-2016		
22	1	325580500/0	Bouchon			
23	1	112620299/0	Goupille Élastique			
25	1	325774575/0	Bride			
26	1	325318327/0	Hebel	To 31-august-2017		
26	1	382318315/0	Levier	From 01-september-2017		
27	6	112604896/0	Fixateur A Couronne			
28	3	122517866/0	Pivot			
29	1	112735661/0	Vis			
30	1	112154510/0	Ecrou			