

shindaiwa

PARTS

LIST

B 4 5

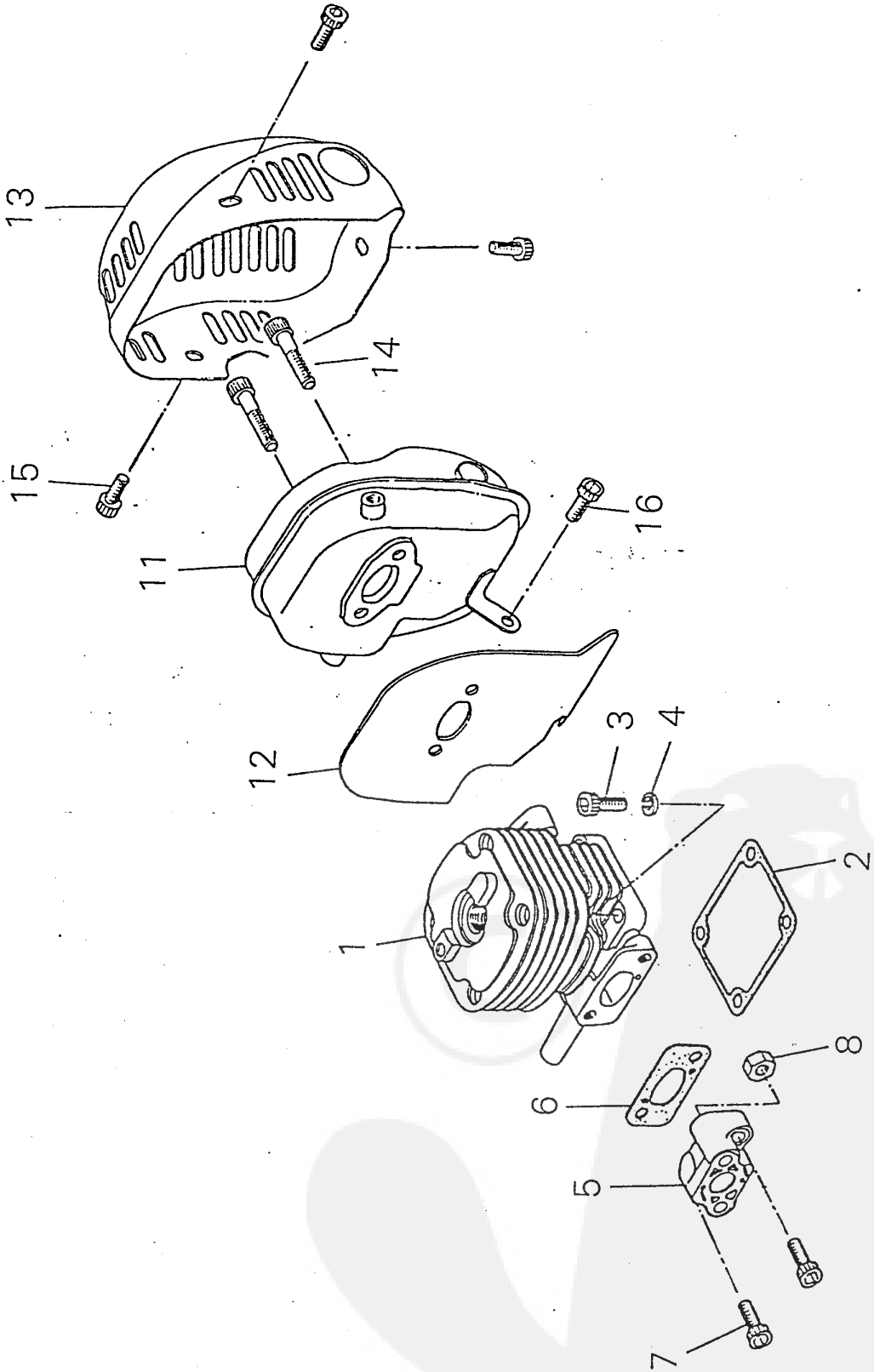
SHIN-DAIWA KOGYO CO., LTD.

35, Ooaza Shin-Ujigami, Chiyoda-cho Yamagata-gun, Hiroshima, 731-14 Japan

Telephone (082672) 6011 Telex 665871 SDKHIR Fax (082672) 6001, 6002

Cable Address SHINDAIWA HIROSHIMA

JUN. 20. 1991

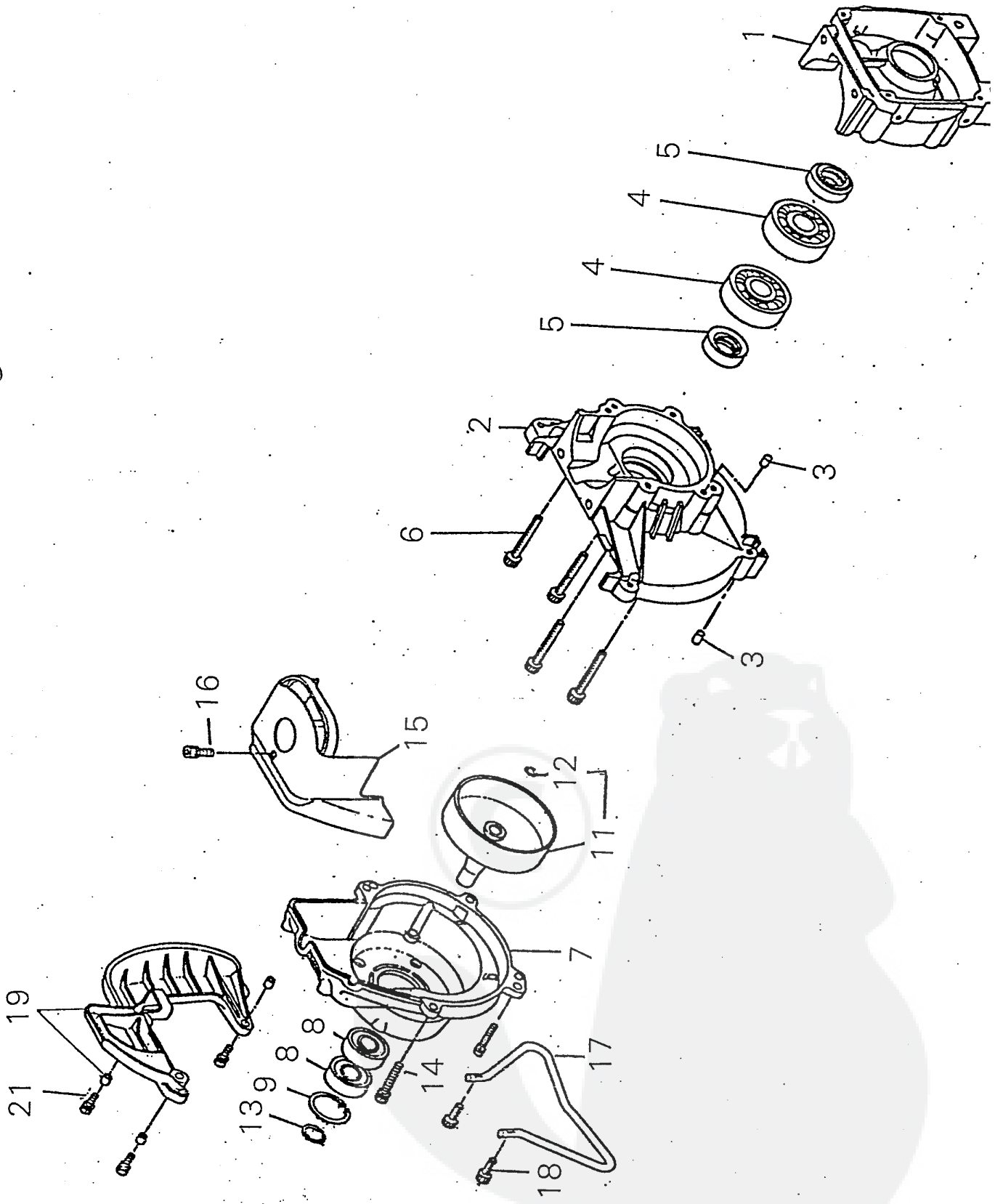


PRICE:(ST)

Ref. No	Part No.	Part Name	Q'ty	Unit Price	Remarks
1- 1	20021-12110	CYLINDER	1		
2	20010-12120	GASKET CYLINDER	1		
3	01020-05250	BOLT	4		
4	01600-05131	SPRING WASHER	4		
5	20021-12210	INSULATOR	1		
6	20021-12220	GASKET INSURATOR	1		
7	11022-05250	BOLT SPW	2		
8	20011-12260	NUT	2		
	70016-15003	MUFFLER ASSY	1		
11	20021-15112	· MUFFLER	1		
12	20021-15210	· GASKET MUFFLER	1		
13	70016-15310	· MUFFLER GUARD	1		
14	01020-06250	· BOLT	2		
15	11024-05100	· BOLT SLPW	3		
16	11024-05120	· BOLT SLPW	1		

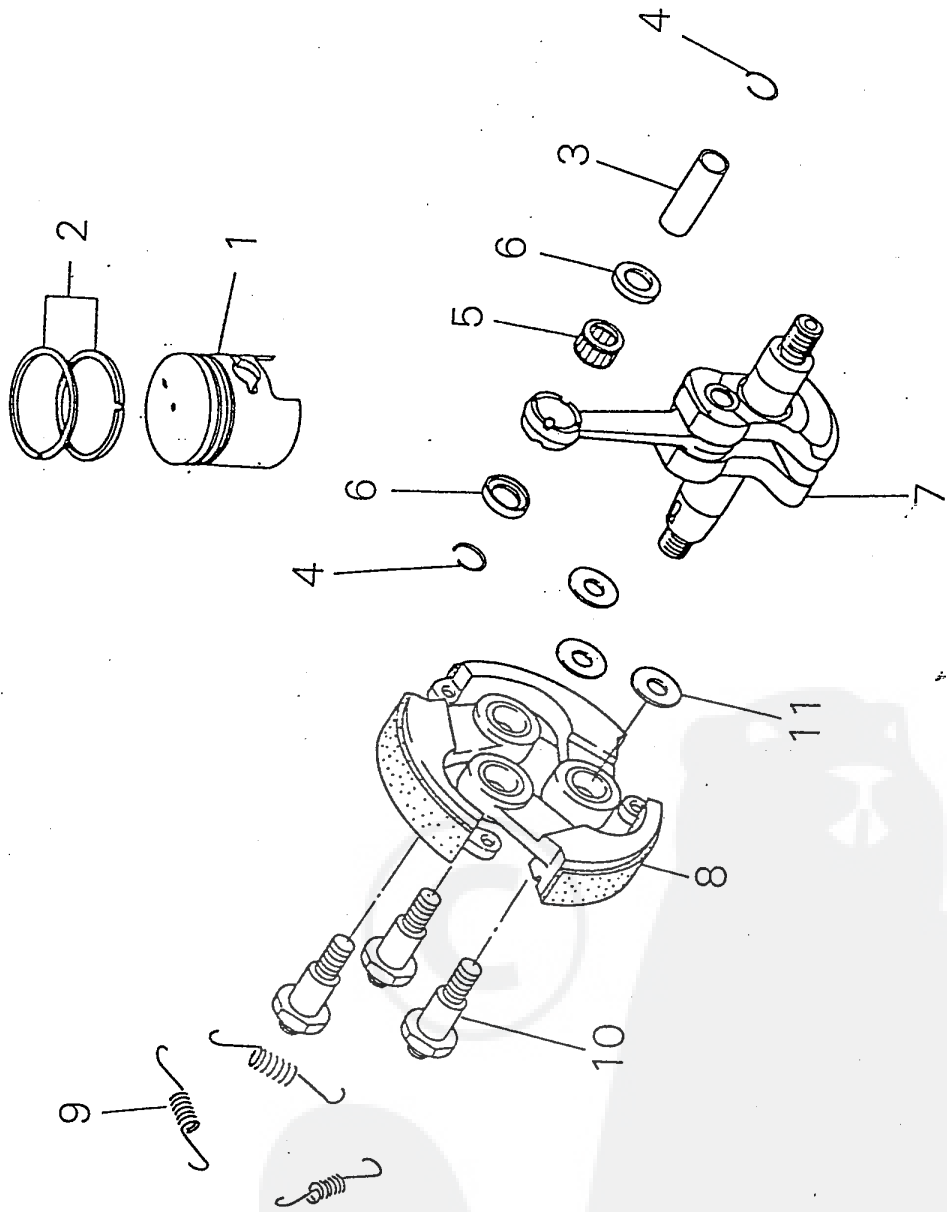
PARTS LIST
SHINDAIWA
(LI38 LIA0380P)

B45/VK



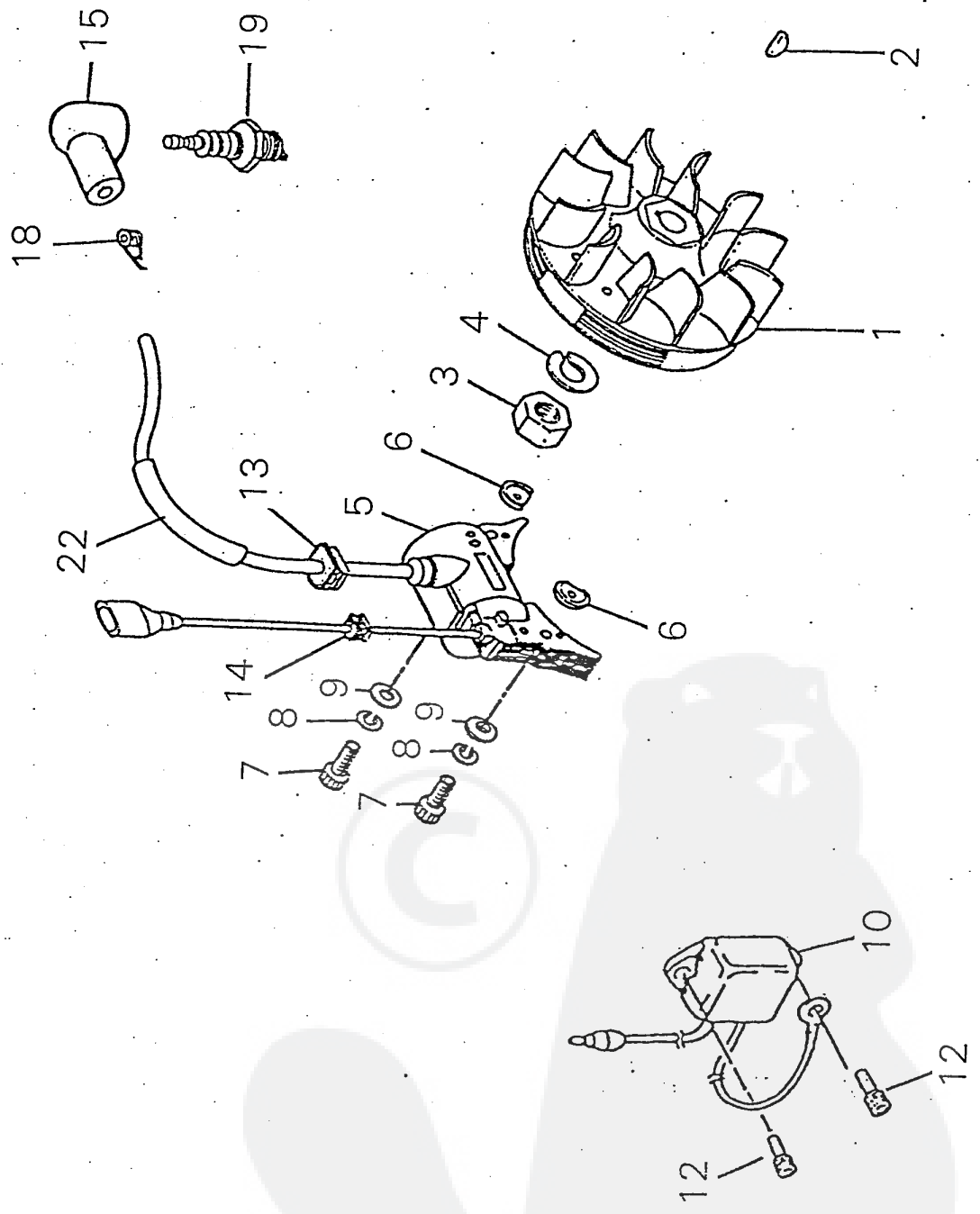
PRICE: (ST)

Ref. No.	Part No.	Part Name	Qty	Unit Price	Remarks
2-	70012-21000	CRANK CASE ASSY	1		
1	20051-21110	• CRANK CASE S	1		
2	70012-21120	• CRANK CASE M	1		
3	20000-21140	• DAWEL PIN	4		
4	02030-06202	• BEARING	2		
5	20010-21211	• OIL SEAL	2		
6	01020-05300	• BOLT	4		
	70108-31000	FAN COVER ASSY	1		
7	70012-31110	• FAN COVER	1		
8	02006-06002	• BEARING	2		
9	02432-32120	• SNAP RING	1		
10	70081-31150	• NAME PLATE	1		
11	20021-31200	• CLUTCH DRUM SET	1		
12	20021-31220	•• SNAP RING	1		
13	20011-31230	• SNAP RING	1		
14	11022-05200	• BOLT SPW	4		
15	70012-32110	CYLINDER COVER	1		
16	11024-05140	BOLT SLPW	1		
17	20011-33111	STAND	1		
18	01020-05120	BOLT	2		
19	20011-34100	PROTECTOR ASSY	1		
21	11024-04160	BOLT SLPW	3		



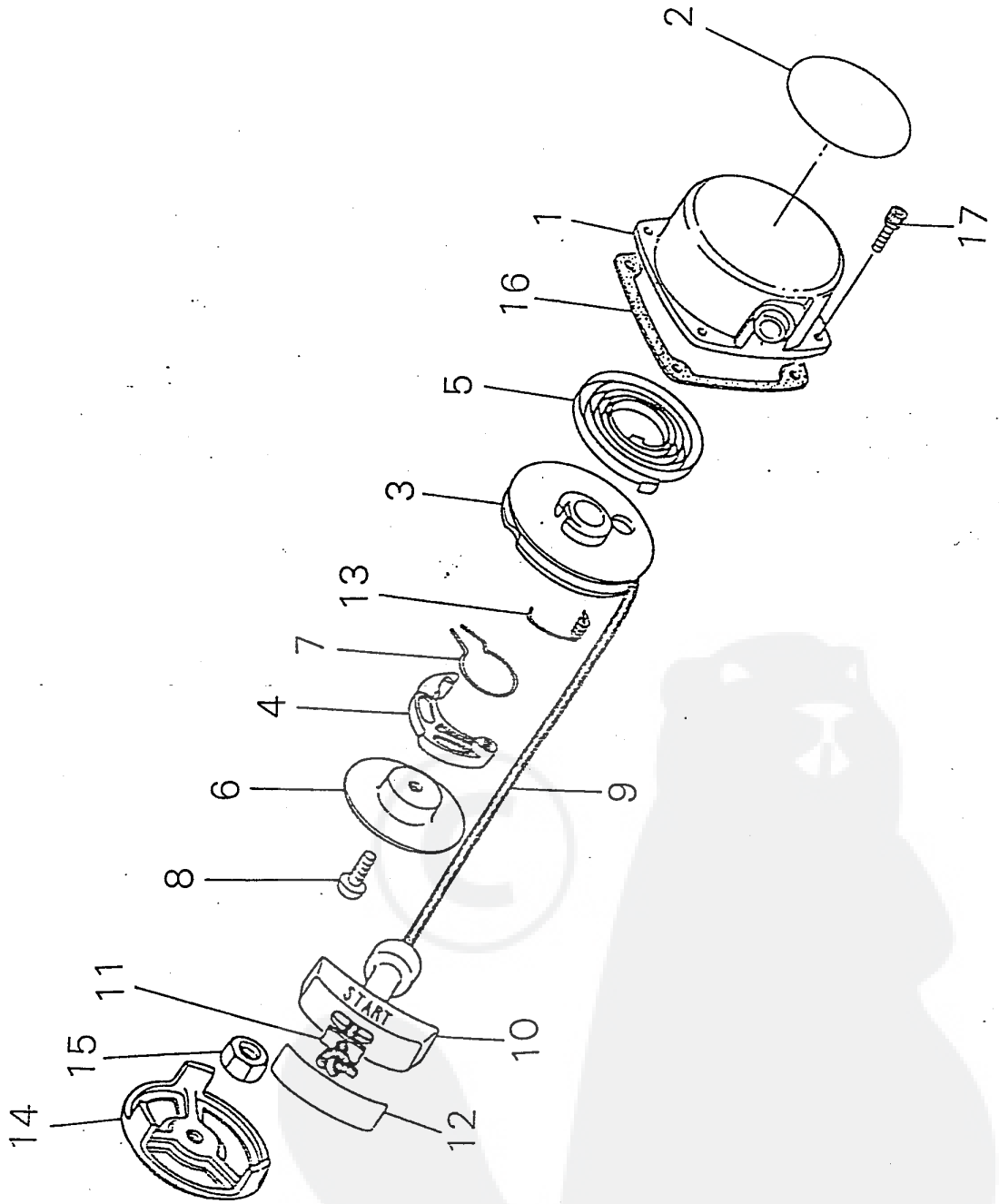
PRICE:(ST)

Ref. No	Part No.	Part Name	Qty	Unit Price	Remarks
3- 1	20021-41111	PISTON	1		
2	20021-41210	PISTON RING	2		
3	20021-41310	PISTON PIN	1		
4	22150-41230	SNAP RING	2		
5	20021-41330	BEARING SE	1		
6	20021-41341	THRUST WASHER	2		
7	20021-42002	CRANK SHAFT ASSY	1		
	20021-51100	CLUTCH SHOE ASSY	1		
8	20021-51110	• CLUTCH SHOE	3		
9	20021-51120	• CLUTCH SPRING	3		
10	20021-51130	• CLUTCH BOLT	3		
11	22100-71430	• WASHER	3		



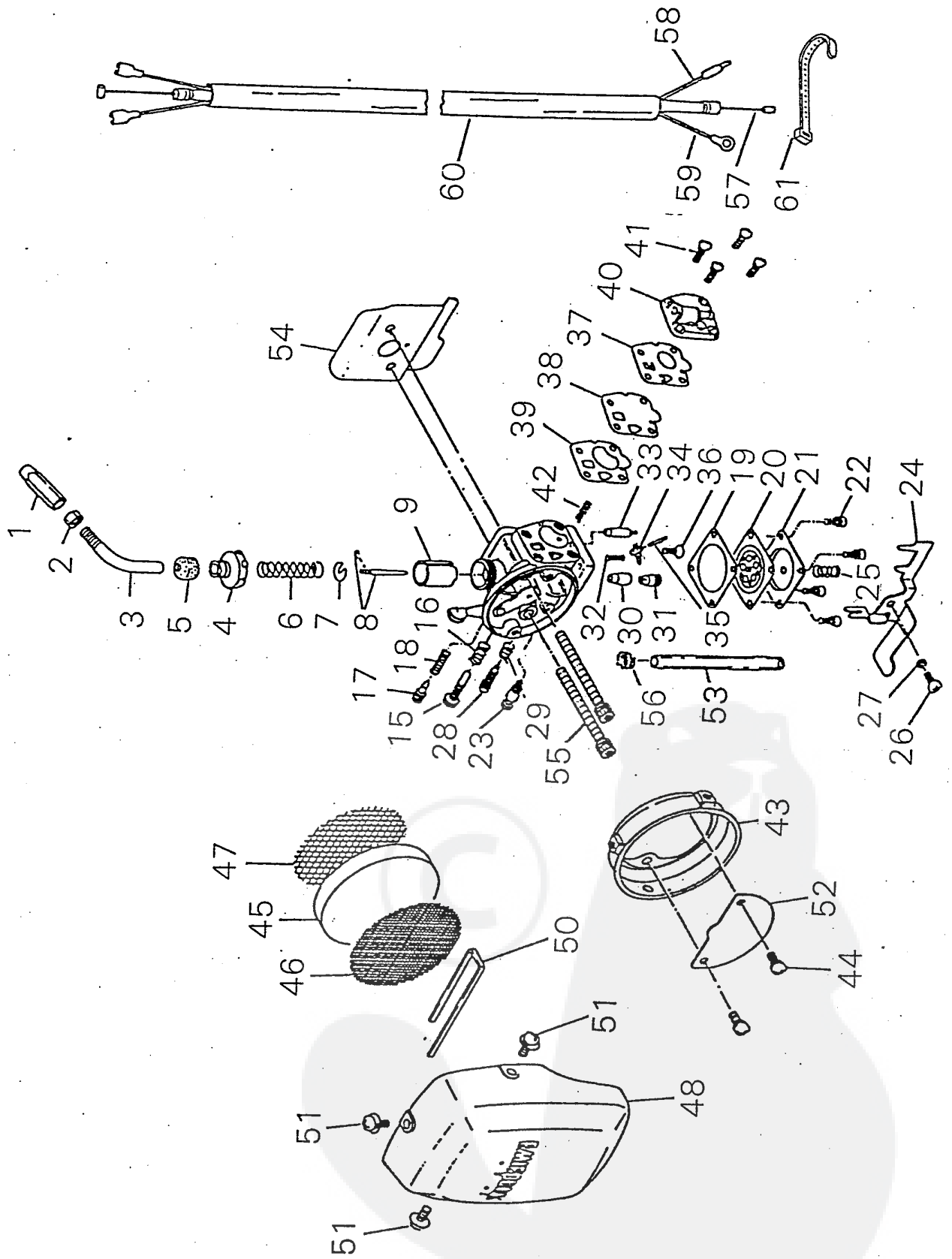
PRICE:(ST)

Ref. No	Part No.	Part Name	Q'ty	Unit Price	Remarks
4- 1	20021-71201	ROTOR	1		
2	22100-43210	KEY	1		
3	01511-10061	NUT	1		
4	01600-10251	SPRING WASHER	1		
5	20011-71611	COIL	1		
6	20010-71631	SPACER COIL	2		
7	01020-04260	BOLT	2		
8	01600-04101	SPRING WASHER	2		
9	20010-71650	WASHER	2		
10	72920-71711	UNIT	1		
12	11024-04120	BOLT SPW	2		
13	20011-72110	GROMMET	1		
14	20011-72120	GROMMET	2		
15	22102-72220	PLUG CAP	1		
18	20000-72230	SPRING SPARK PLUG	1		
19	13000-13406	SPARK PLUG	1		
22	20011-71660	TUBE	1		



PRICE:(ST)

Ref. No	Part No.	Part Name	Q'ty	Unit Price	Remarks
5-	70020-75000	RECOIL STARTER ASSY #	1		
	70020-75100	• RECOIL STARTER SUB ASSY	1		
1	70020-75110	•• STARTER CASE	1		
2	70020-75240	•• NAME PLATE	1		
3	20020-75120	•• REEL	1		
4	20000-75130	•• RATCHET	1		
5	20020-75140	•• RECOIL SPRING	1		
6	20000-75150	•• PLATE FRICTION	1		
7	20000-75160	•• SPRING FRICTION	1		
8	20000-75170	•• SCREW	1		
9	20020-75180	•• ROPE	1		
10	20010-75190	•• STARTER KNOB	1		
11	20010-75210	•• STOPPER	1		
12	20010-75230	•• TAPE	1		
13	20000-75220	•• RETURN SPRING	1		
14	70000-75230	• STARTER PULLY	1		
15	20000-76210	NUT	1		
16	20020-76110	GASKET STARTER	1		
17	11022-04160	BOLT SPW	4		



PRICE:(ST)

Ref. No	Part No.	Part Name	Q'ty	Unit Price	Remarks
6-	70108-81000	CARBURETOR ASSY	1		
	20021-81020	* CARBURETOR BODY SUB ASSY	1		
1	20055-81810	** CABLE ADJUSTER	1		
2	20000-81260	** LOCK NUT	1		
3	20055-81830	** ADJUST PIPE	1		
4	20021-81121	** BODY CAP	1		
5	20021-81130	** CAP	1		
6	20020-81140	** SPRING	1		
7	20020-81150	** SPRING RECIEVE	1		
8	20021-81171	** JET NEEDLE	1		
9	20021-81180	** THROTTLE VALVE	1		
15	20000-81310	** SLOW STOP SCREW	1		
16	20010-81820	** ADJUST SPRING	1		
17	20000-81330	** SLOW AIR SCREW	1		
18	20000-81340	** SPRING	1		
19	20020-81510	** GASKET	1		
20	20021-81520	** DIAPHRAGM	1		
21	20020-81530	** COVER DIAPHRAGM	1		
22	20000-81540	** SCREW	4		
23	20011-81550	** ORVER FLOW VALVE	1		
24	20021-81560	** TICKLER LEVER	1		
25	20011-81571	** SPRING	1		
26	20011-81581	** SCREW	1		
27	20011-81590	** COLLAR	1		
28	20020-81350	** ADJUST SCREW	1		
29	20011-81360	** SPRING	1		
30	20020-81410	** NEEDLE JET	1		
31	20020-81420	** JET HOLDER	1		
32	20021-81430	** VALVE SPRING	1		
33	20000-81441	** NEEDLE VALVE	1		
34	20020-81450	** LEVER	1		
35	20000-81460	** PIN	1		
36	20000-81470	** SCREW	1		
37	20020-81660	** PUMP VALVE	1		
38	20011-81621	** DIAPHRAGM	1		
39	20011-81630	** GASKET	1		
40	20021-81640	** PUMP BODY	1		
41	20000-81650	** SCREW	4		

PARTS LIST
SHINDAIWA
(LI38 LIA0380P)

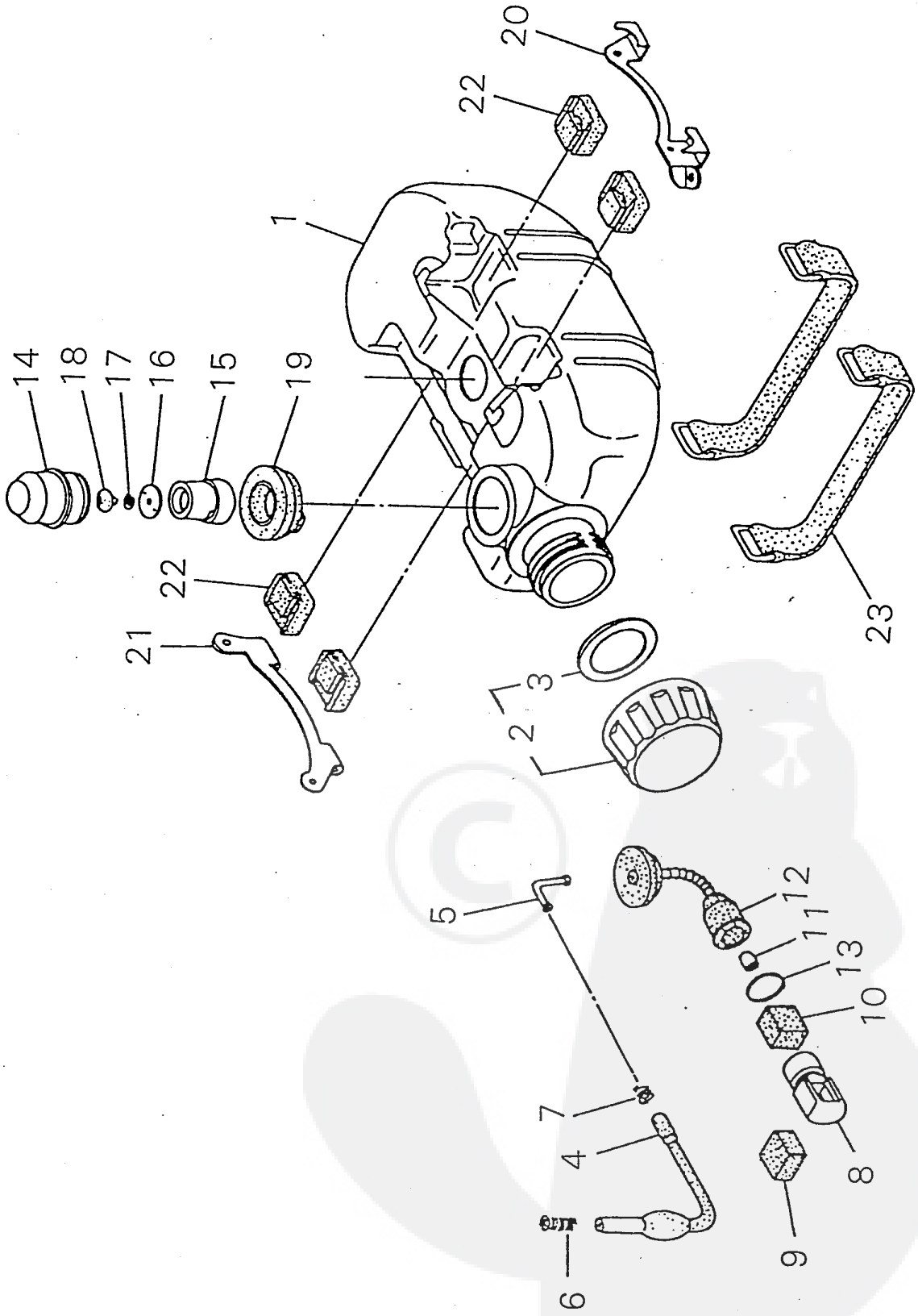
B45/VK

PRICE:(ST)

Ref. No	Part No.	Part Name	Q'ty	Unit Price	Remarks
6- 42	20011-81680	.. SPRING	1		
	70108-81700	· AIR CLEANER SUB ASSY	1		
43	20010-81711	.. CLEANER BODY	1		
44	20000-81730	.. SCREW	2		
45	20000-81740	.. FILTER	1		
46	20000-81750	.. NET A	1		
47	20010-81760	.. NET B	1		
48	20010-81771	.. CLEANER COVER	1		
50	20010-81781	.. SPRING NET	1		
51	20000-81735	.. SCREW	3		
52	20021-81790	.. PLATE	1		
53	20000-83312	PIPE	1		
54	20021-83410	GASKET CARBURETOR	1		
55	11020-05480	BOLT SW	2		
56	20020-85540	CLIP	1		
	70108-83100	THROTTLE CABLE SUB ASSY	1		
57	70108-83111	· THROTTLE CABLE	1		
58	70108-83120	· CORD RED	1		
59	70108-83130	· CORD BLACK	1		
60	70108-83140	.. TUBE	1		
61	20000-83140	· CLAMP	1		
	20020-81910	GASKET KIT	1		
19	20020-81510	· GASKET	1		
39	20011-81630	· GASKET	1		
	20021-81920	DIAPHRAGM KIT	1		
20	20021-81520	· DIAPHRAGM	1		
38	20011-81621	· DIAPHRAGM	1		
37	20020-81660	· PUMP VALVE	1		
	20021-81931	JET NEEDLE KIT	1		
8	20021-81171	· JET NEEDLE	1		
30	20020-81410	· NEEDLE JET	1		

PARTS LIST
SHINDAIWA
(L138 LIA0380P)

B45/VK

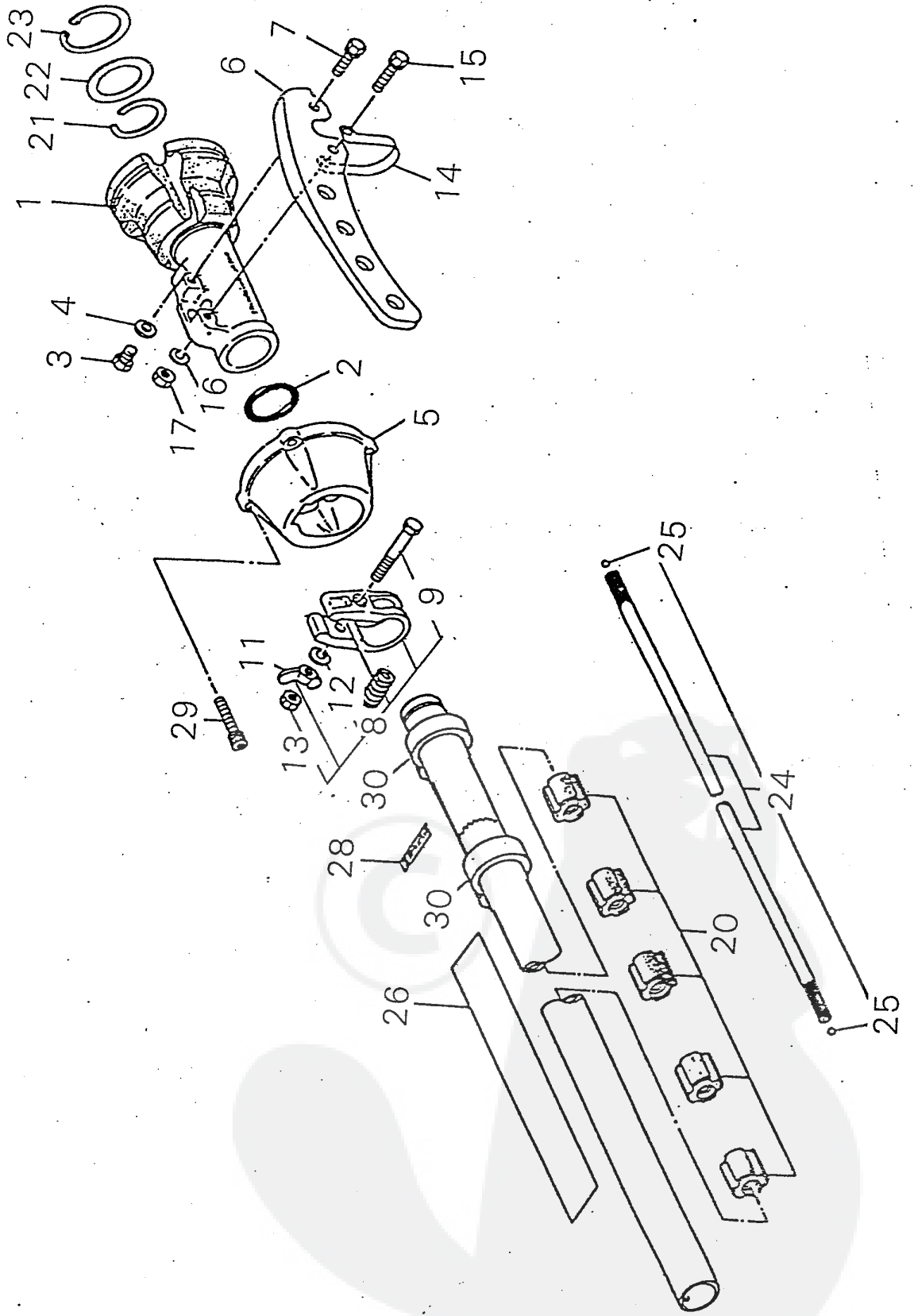


PRICE:(ST)

Ref. No	Part No.	Part Name	Q'ty	Unit Price	Remarks
7-	70060-85000	FUEL TANK ASSY	1		
1	20011-85111	* FUEL TANK	1		
2	70043-85200	* FUEL CAP SUB ASSY	1		
3	20000-85220	** GASKET FUEL	1		
	20021-85300	* FUEL PIPE SUB ASSY	1		
4	20021-85310	** FUEL PIPE	1		
5	20000-85321	** JOINT PIPE	1		
6	20000-85340	** CLAMP A	1		
7	20000-85350	** CLAMP B	1		
	20011-85400	* FUEL FILTER SUB ASSY	1		
8	22100-85411	** WEIGHT FUEL	1		
9	22100-85420	** FILTER A	1		
10	22100-85431	** FILTER B	1		
11	20000-85440	** CHAKE VALVE	1		
12	20011-85450	** SUCTION PIPE	1		
13	22102-85440	** CLIP	1		
	20000-85500	* BREATHER SUB ASSY	1		
14	20000-85511	** CAP BREATHER	1		
15	20000-85521	** HOLDER VALVE	1		
16	22100-85240	** RETAINER FUEL	1		
17	22100-85250	** WASHER FUEL	1		
18	22100-85260	** VALVE FUEL	1		
19	20000-85579	* GROMMET BREATHER	1		
20	20021-86110	BRACKET S	1		
21	20011-86120	BRACKET M	1		
22	20010-86130	CUSHION	4		
23	20010-86140	BAND	2		

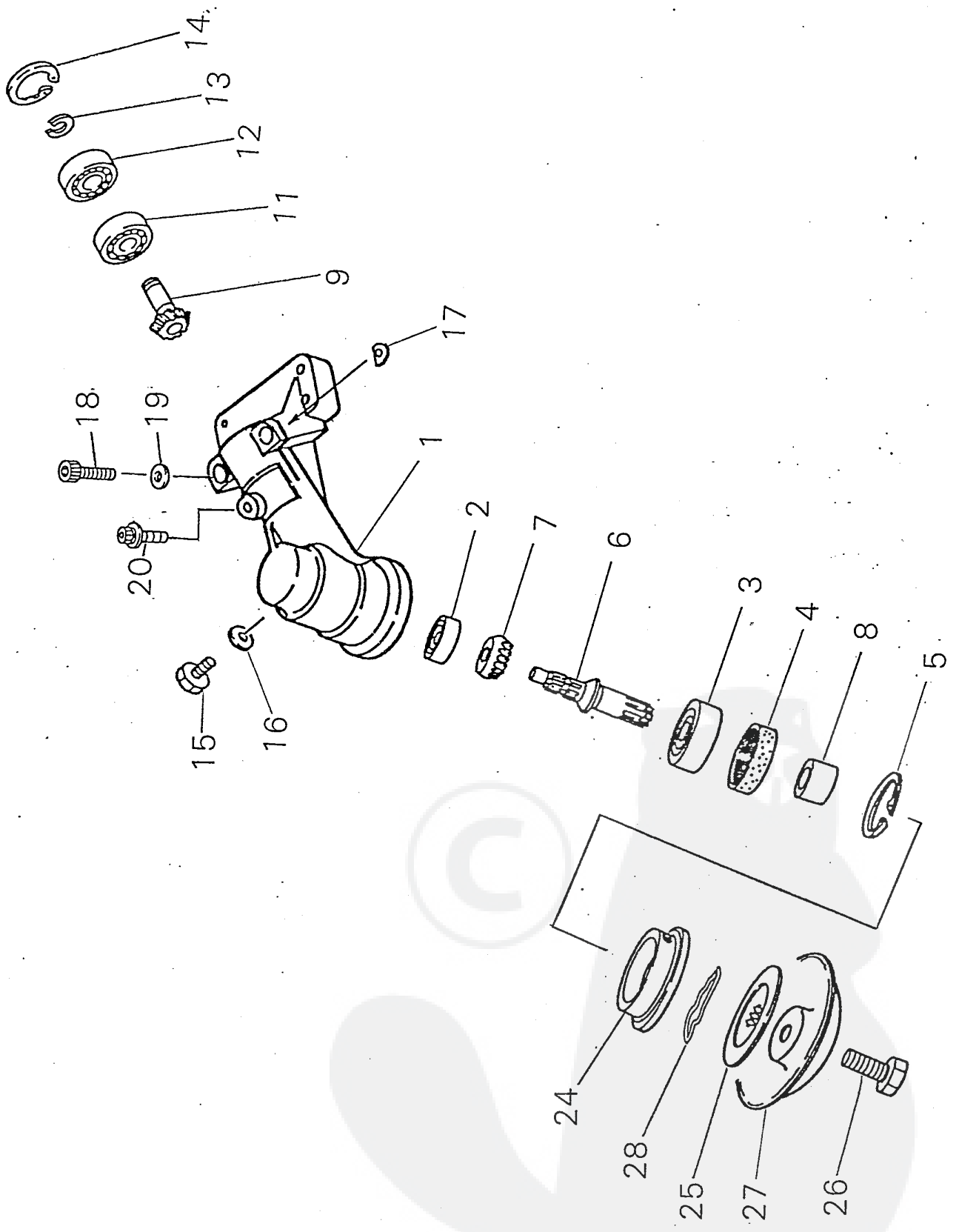
PARTS LIST
 SHINDAIWA
 (LI38 LIA0380P)

B45/VK



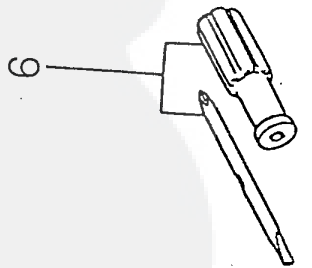
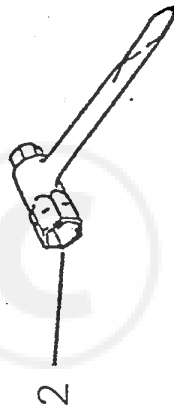
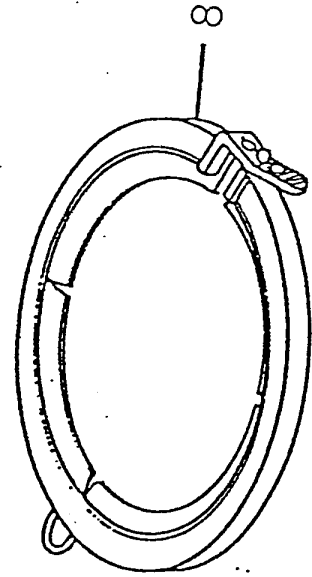
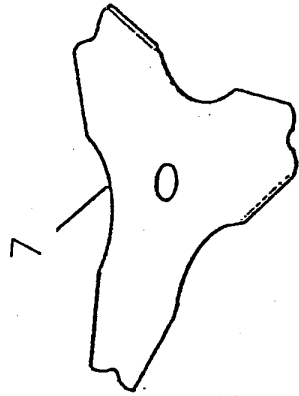
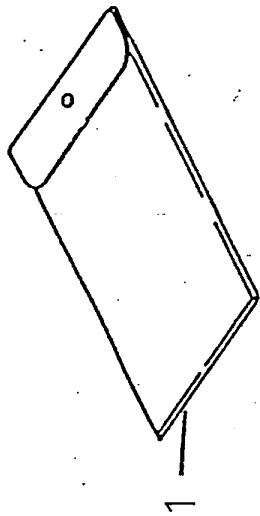
PRICE:(ST)

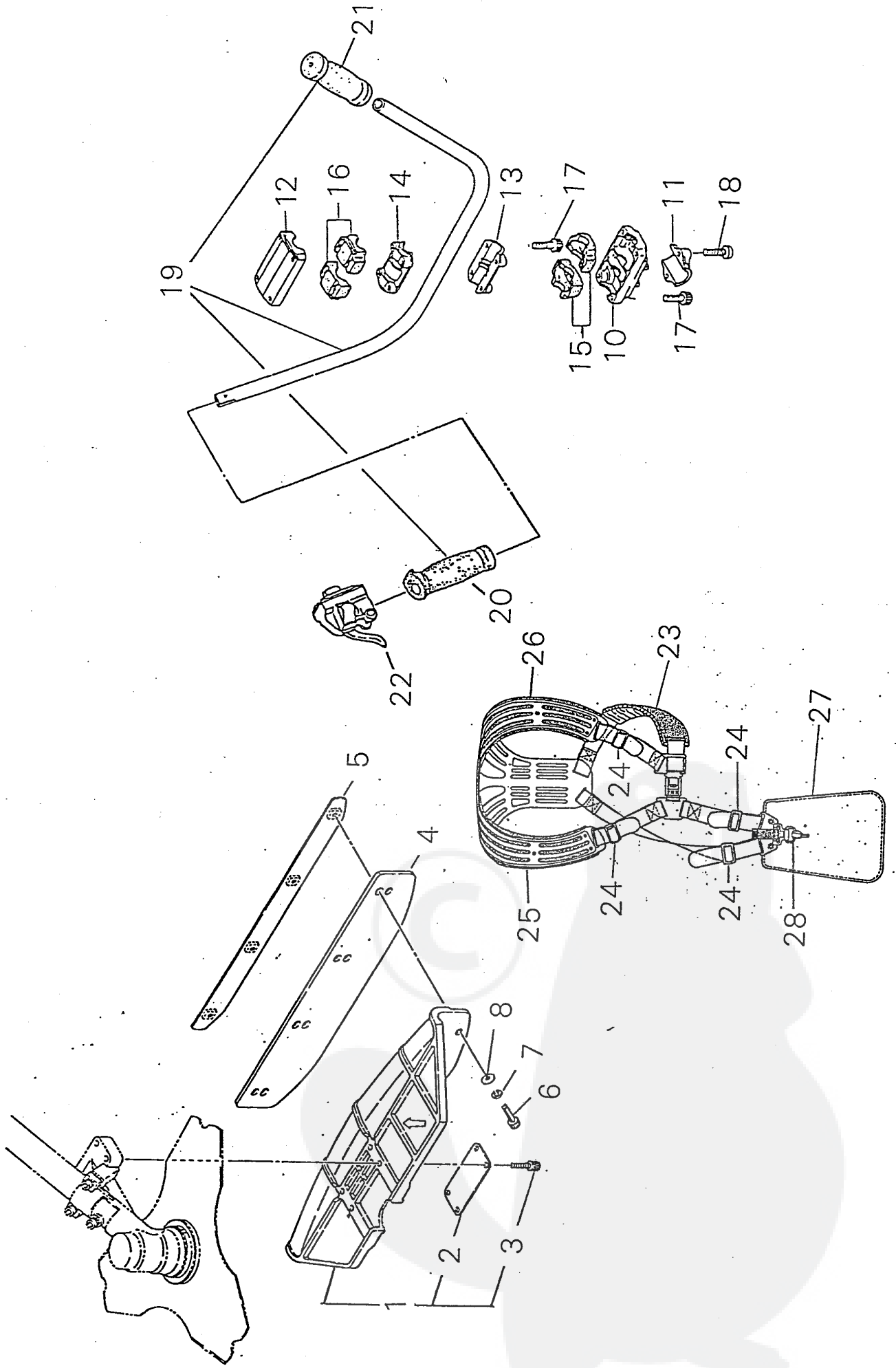
Ref. No	Part No.	Part Name	Q'ty	Unit Price	Remarks
8-	72020-11100	JOINT SUB ASSY	1		
1	22020-11110	• SWIVEL JOINT	1		
2	22015-11120	• O RING	1		
3	01010-06080	• BOLT	1		
4	22000-13410	• GASKET	1		
5	72020-11120	• CAP JOINT	1		
6	22019-11313	HANGER	1		
7	11210-06160	SCREW BUTTON	1		
8	22015-11501	SWIVEL LOCK ASSY	1		
9	22011-97821	• BOLT	1		
11	01520-10630	• WING NUT	1		
12	22100-71430	• WASHER	1		
13	22011-97840	• LOCK NUT	1		
14	22011-11320	CLAMP	1		
15	11210-06300	SCREW BUTTON	1		
16	01600-06151	SPRING WASHER	1		
17	01500-06051	NUT	1		
	22021-12100	OUTER PIPE COMP	1		
20	22021-12120	• BUSHING	5		
21	22015-12130	SNAP RING	1		
22	22020-12210	STOPPER	1		
23	02432-40170	SNAP RING	1		
24	22021-12400	MAIN SHAFT SUB ASSY	1		
25	22021-12420	• STOPPER	2		
26	72443-12510	NAME PLATE	1		
28	72444-12150	HANDLE LABEL	1		
29	11022-05200	BOLT SPW	4		
30	72447-12190	BAND	2		



PRICE:(ST)

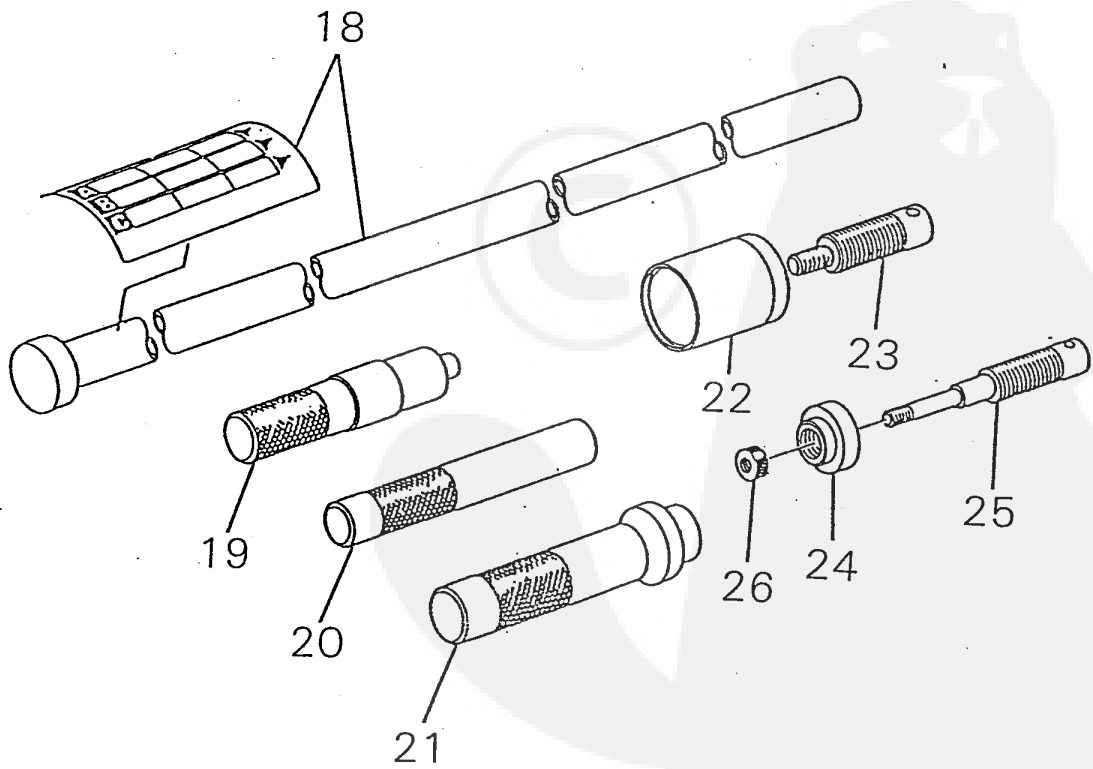
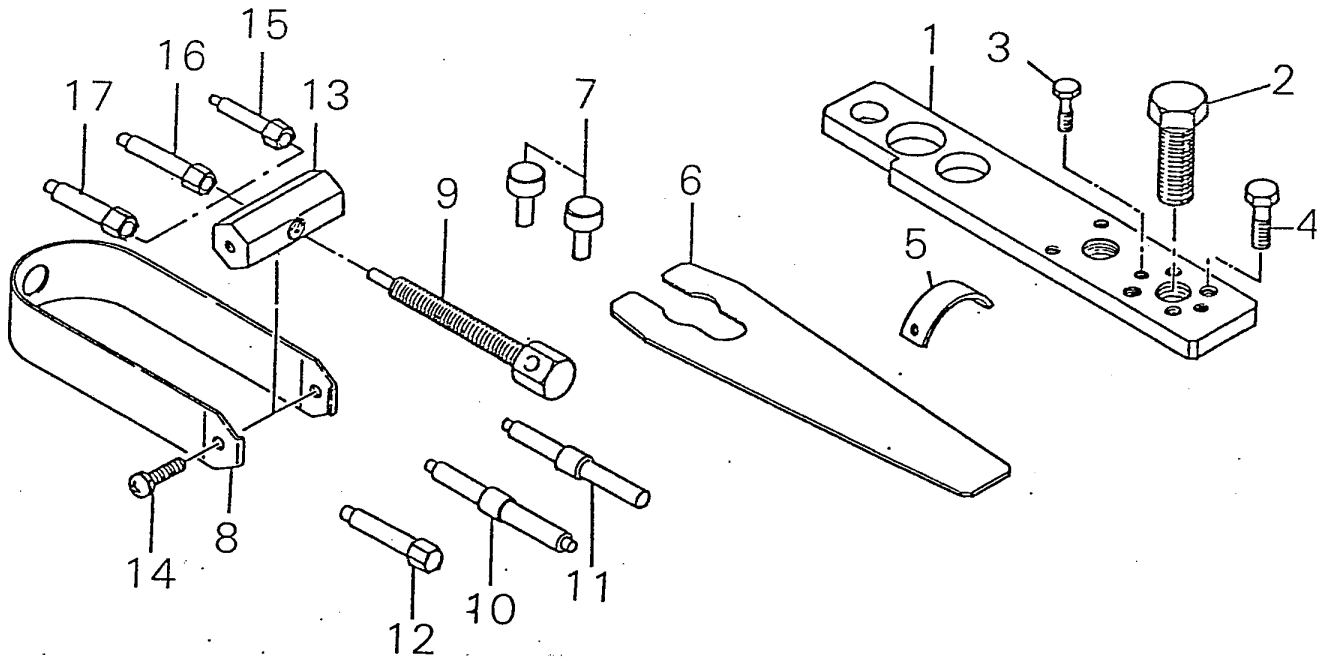
Ref. No.	Part No.	Part Name	Q'ty	Unit Price	Remarks
9-	72447-13001	GEAR CASE ASSY	1		
	72447-13011	* GEAR CASE SUB ASSY	1		
1	72447-13111	** GEAR CASE	1		
2	02006-06000	** BEARING	1		
3	02000-06202	** BEARING	1		
4	22015-13120	** OIL SEAL	1		
5	02432-35150	** SNAP RING	1		
6	22015-13210	** GEAR SHAFT	1		
7	22015-13220	** BEVEL GEAR	1		
8	22015-13230	** COLLAR	1		
9	22021-13390	** PINION SET	1		
11	02000-06001	** BEARING	1		
12	02002-06001	** BEARING	1		
13	20000-31140	** SNAP RING	1		
14	02432-28120	** SNAP RING	1		
15	22015-13410	** BOLT	1		
16	22015-13420	** GASKET	1		
17	22000-13420	** SHIM	2		
18	11020-05300	** BOLT SW	2		
19	01610-05080	** WASHER	2		
20	11022-05120	** BOLT SPW	1		
24	72447-13240	* HOLDER A	1		
25	22015-13250	* HOLDER B	1		
26	22015-13261	* BOLT	1		
27	72447-13290	* STABILIZER	1		
28	22015-13290	* SLIDE PIN	1		





PRICE:(ST)

Ref. No	Part No.	Part Name	Qty	Unit Price	Remarks
11- 1	72447-16900	GUARD SUB ASSY	1		
2	72444-16250	· WASHER	1		
3	11022-05200	· BOLT SPW	4		
	72444-16800	SUB GUARD ASSY	1		
4	72444-16220	· SUB GUARD	1		
5	72444-16230	· BACK PLATE	1		
6	01020-05160	· BOLT	4		
7	01600-05131	· SPRING WASHER	4		
8	01613-05080	· WASHER	4		
	72447-14000	HANDLE ASSY #	1		
	72017-14100	· BRACKET COMP	1		
10	72017-14110	· HANDLE BRACKET	1		
11	72017-14120	· LOWER CAP	1		
12	72017-14130	· UPPER CAP	1		
13	22015-14140	· LOWER CLAMP	1		
14	22015-14150	· UPPER CLAMP	1		
15	22015-14160	· LOWER CUSHION	2		
16	22015-14170	· UPPER CUSHION	2		
17	11022-05250	· BOLT SPW	8		
18	11210-06250	· SCREW BUTTON	2		
19	72447-14200	· HANDLE SUB ASSY	1		
20	72447-14220	· RIGHT GRIP	1		
21	22015-14230	· LEFT GRIP	1		
22	72447-14300	· LEVER COMP	1		
	72451-17201	HARNES ASSY	1		
23	22007-17220	· PROTECTOR	1		
24	72451-17230	· BUCKLE	4		
25	72451-17241	· PAD RIGHT	1		
26	72451-17251	· PAD LEFT	1		
27	72451-17261	· PAD	1		
28	72451-17270	· HOOK	1		



PRICE:(ST)

Ref. No	Part No.	Part Name	Q'ty	Unit Price	Remarks
13-	20021-96001	OPTION TOOL SET #	1		
	20000-96104	• PULLER ASSY	1		
1	20000-96114	•• LEVER	1		
2	22100-96121	•• CENTER BOLT	1		
3	20000-96130	•• BOLT	3		
4	20000-96140	•• BOLT	2		
5	20000-96210	• AIR GAP GAUGE	1		
6	20000-96411	• ROTOR SPANNER	1		
7	20021-96420	• STOPPER	2		
	20021-96601	• PULLER ASSY	1		
8	20021-96611	•• PULLER	1		
9	20021-96621	•• BOLT	1		
12	20021-96630	•• GUIDE PIN	1		
13	20000-96640	•• BOSS	1		
14	01211-06120	•• SCREW	2		
15	20021-96650	•• PIN ADAPTER	1		
16	20021-96660	•• PIN ADAPTER	1		
17	20021-96670	•• PIN ADAPTER	1		
	22015-96001	OPTION TOOL SET #	1		
18	22000-96101	• ROD BUSHING ASSY	1		
19	22015-96210	• ROD	1		
20	22015-96310	• ROD	1		
21	22015-96410	• ROD	1		
	22015-96500	• PULLER ASSY	1		
22	22015-96510	•• HOLDER	1		
23	22015-96520	•• BOLT	1		
	22015-96600	• PULLER ASSY	1		
24	22015-96610	•• HOLDER A	1		
25	22000-96621	•• BOLT	1		
26	22000-96630	•• NUT	1		