

# shindaiwa

## PARTS PRICE LIST

B450

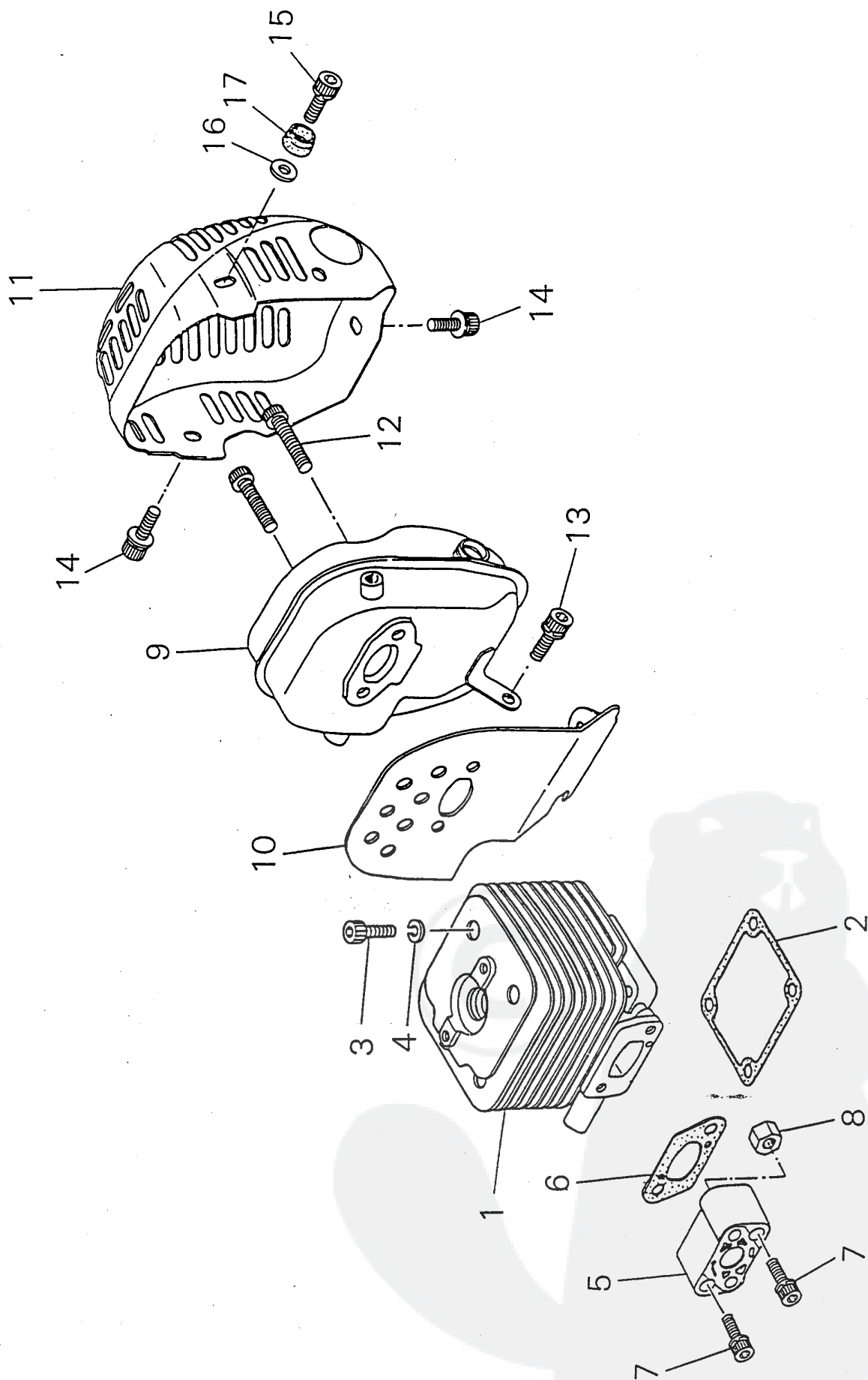
SHIN-DAIWA KOGYO Co., LTD.

35, Ooaza Shin-Ujigami, Chiyoda-cho Yamagata-gun, Hiroshima, 731-15 Japan

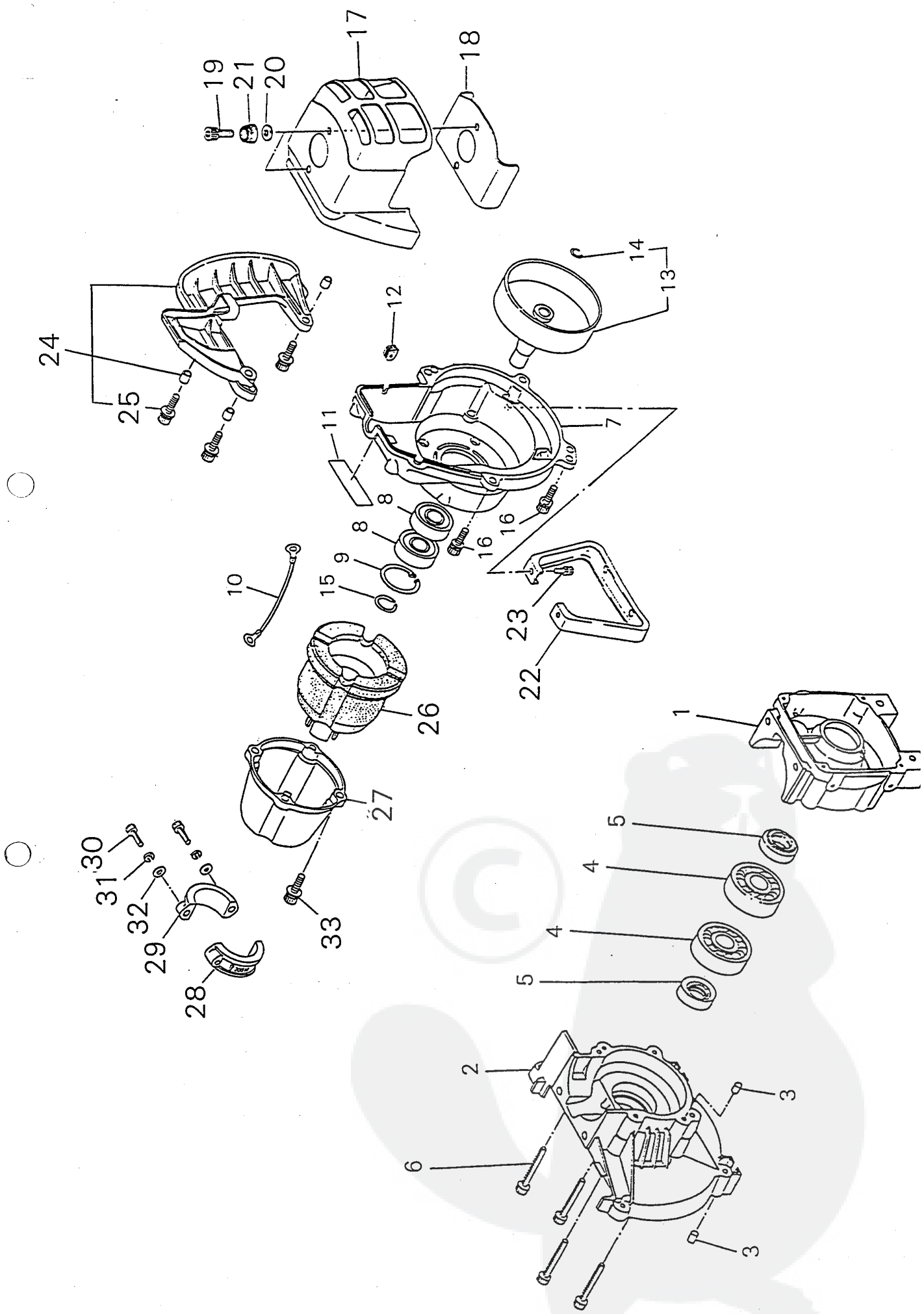
Telephone 0826-72-6011 SDKHIR Fax 0826-72-7005

B450/CE

NOV. 14. 1996





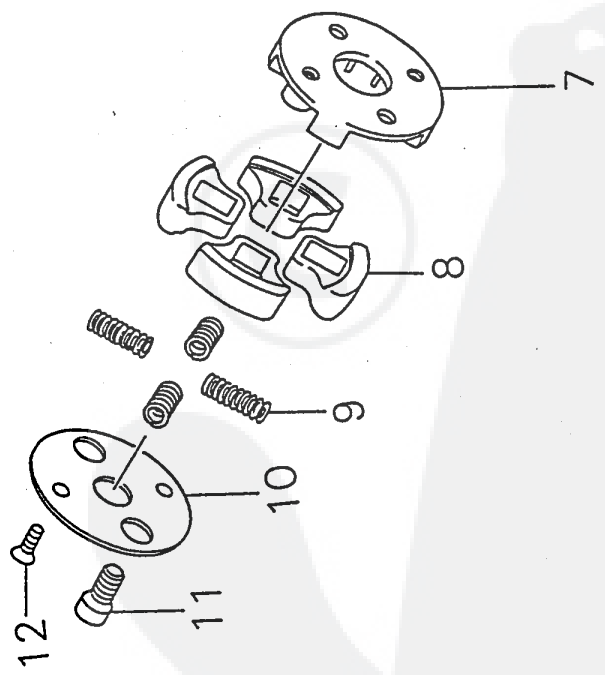
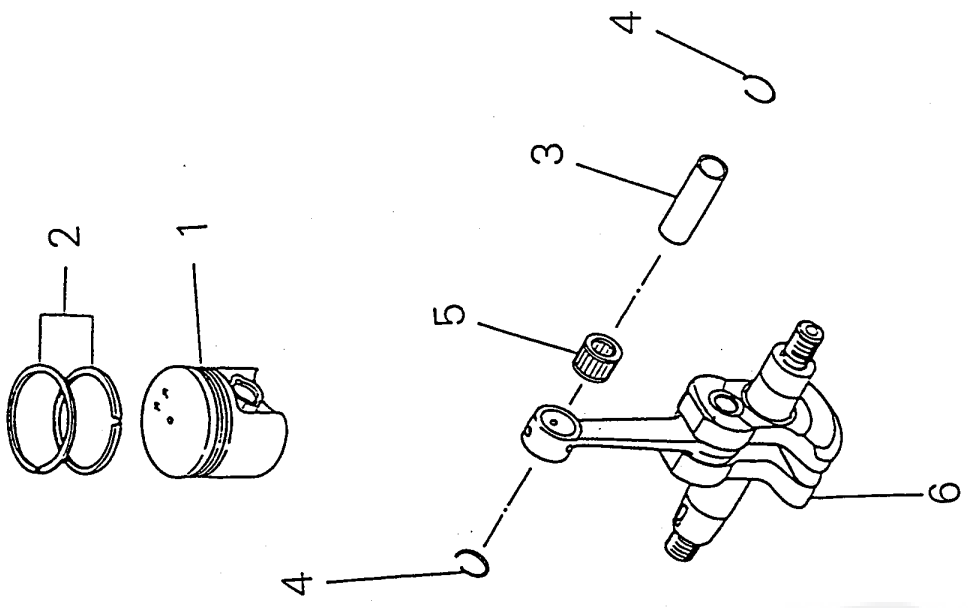


PRICE: (¥)

Ref. No	Part No.	Part Name	Q'ty	Unit Price	Remarks
2-	70062-21000	CRANK CASE ASSY	1	10,000	
1	70062-21110	• CRANK CASE S	1	3,600	
2	72921-21121	• CRANK CASE M	1	2,750	
3	20000-21140	• DAWEL PIN	4	50	
4	02030-06202	• BEARING	2	320	
5	20010-21211	• OIL SEAL	2	300	
6	01020-05300	• BOLT	4	40	
7	70012-31111	FAN COVER	1	4,900	
8	02006-06002	BEARING	2	530	
9	02432-32120	SNAP RING	1	40	
10	70192-31510	EARTH CORD	1	50	
11	70210-31150	LABEL TRADE	1	250	
12	20011-72120	GROMMET	1	70	
13	20021-31200	CLUTCH DRUM SET	1	3,420	
14	20021-31220	• SNAP RING	1	40	
15	20011-31230	SNAP RING	1	40	
16	11022-05200	BOLT SPW	4	50	
17	70210-32111	CYLINDER COVER	1	3,500	
18	70196-32141	GASKET	1	200	
19	11020-05140	BOLT SW	2	40	
20	70196-32150	WASHER	2	100	
21	70196-32160	COVER	2	200	
22	70200-33112	STAND	1	560	
23	<del>11022</del> 11022-05200	BOLT SPW	2	50	
24	20011-34100	PROTECTOR ASSY	1	380	
25	11024-04160	• BOLT SLPW	3	40	
26	20011-35110	JOINT	1	3,720	
27	70012-35130	CAP JOINT	1	1,350	
28	20011-35141	CLAMP A	1	380	
29	20011-35151	CLAMP B	1	330	
30	01020-05250	BOLT	2	40	
31	01600-05131	SPRING WASHER	2	10	
32	01610-05080	WASHER	2	10	
33	11022-05200	BOLT SPW	4	50	

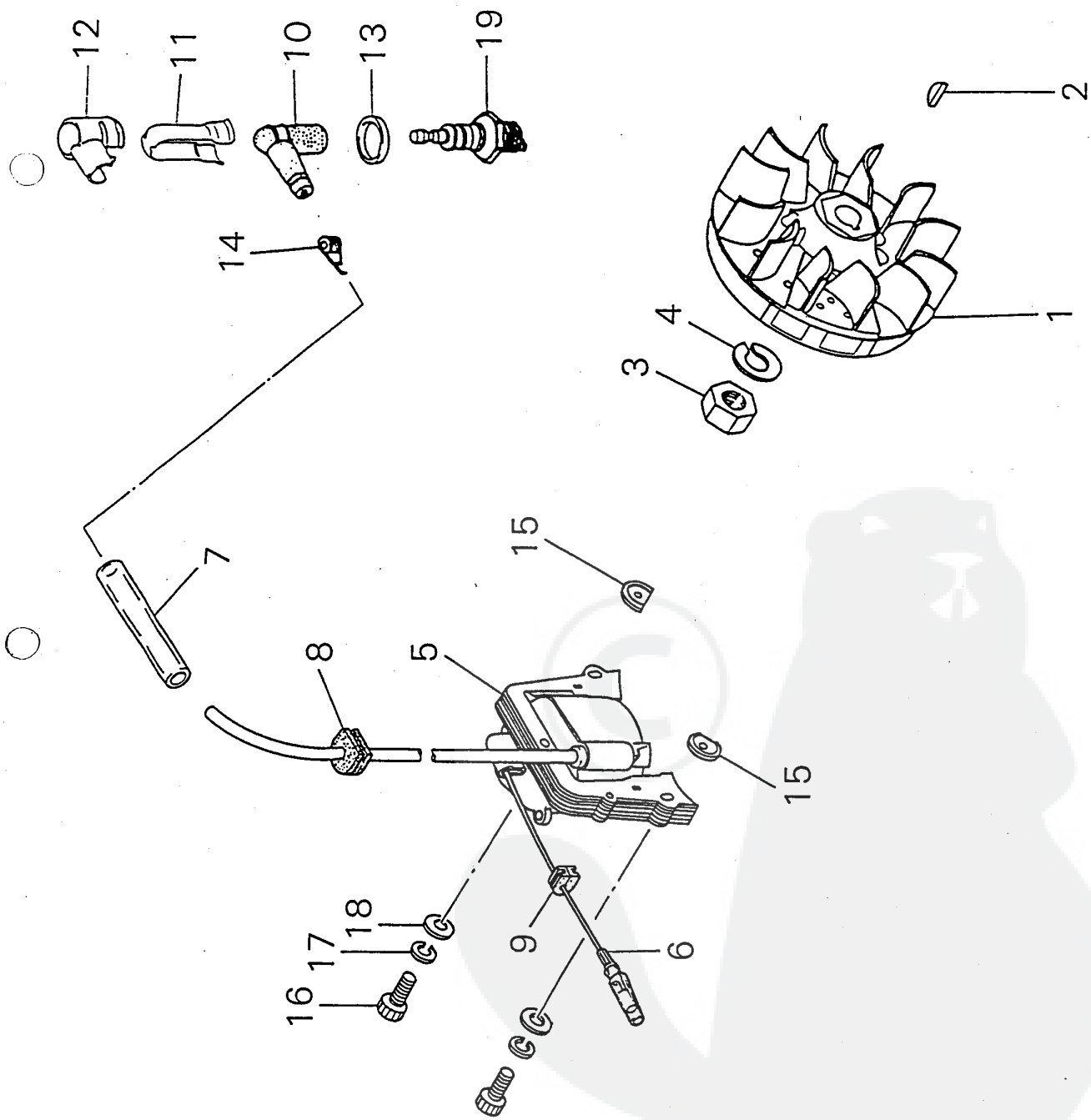
PARTS LIST  
SHINDAIWA  
(LI38 LIA0380P)

B450/CE



PRICE:(¥)

Ref. No	Part No.	Part Name	Q' ty	Unit Price	Remarks
3-	1 70210-41110	PISTON	1	2,500	
	2 22182-41210	PISTON RING	2	700	
	3 22160-41220	PISTON PIN	1	380	
	4 22100-41230	SNAP RING	2	30	
	5 22160-41240	BEARING SE	1	830	
	6 <del>70210-42000</del>	CRANK SHAFT ASSY	1	11,700	
	<del>20020-51101</del>	CLUTCH SHOE ASSY	1	4,170	
	7 20020-51112	• CLUTCH BOSS	1	1,480	
	8 20020-51121	• CLUTCH SHOE	4	420	
	9 20020-51131	• SPRING	4	80	
	10 20020-51140	• PLATE	1	300	
	11 <del>20020-51150</del>	• CLUTCH BOLT	2	220	
	<del>20020-51160</del>	• SCREW FLAT	2	20	



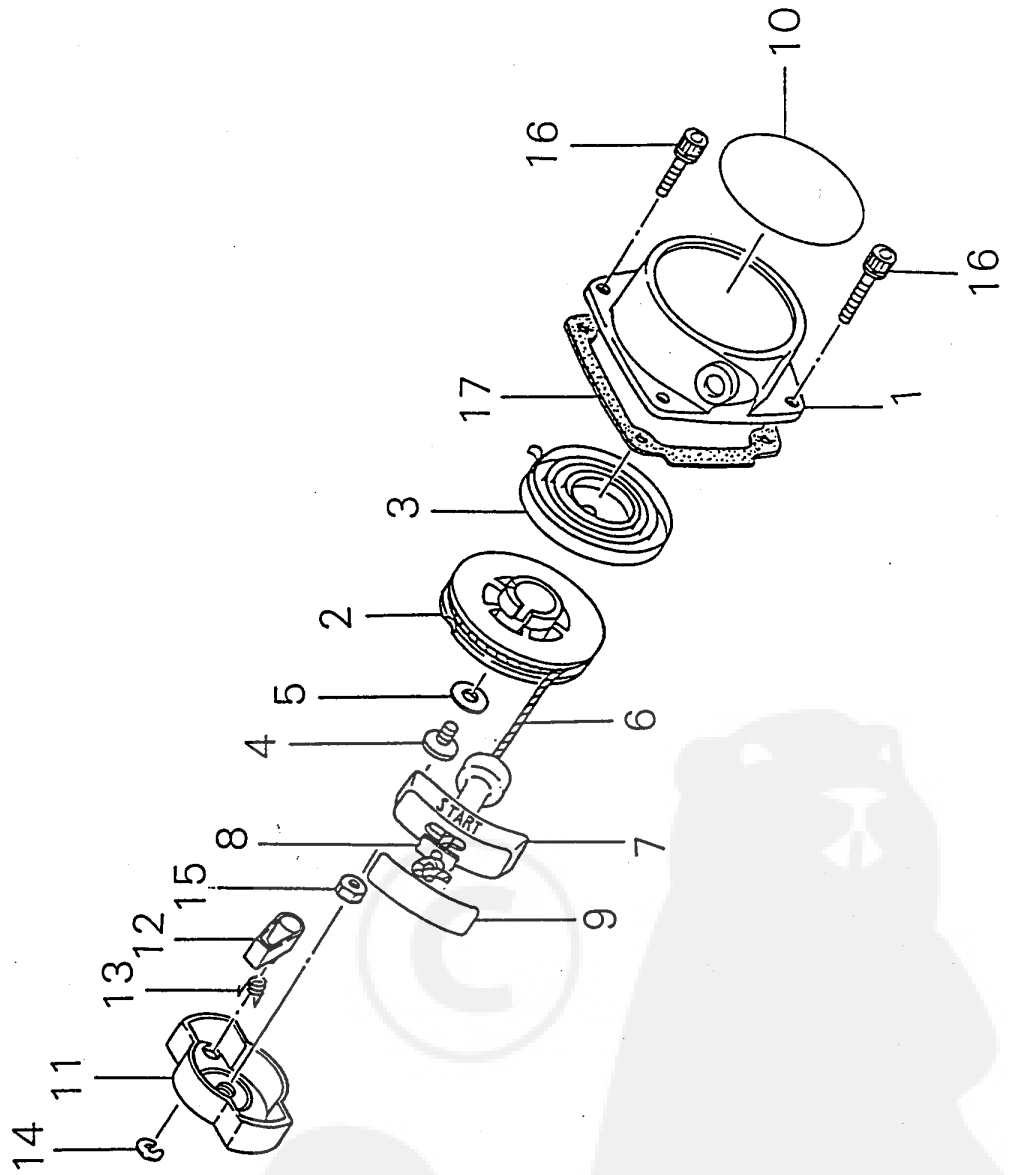


PRICE: (¥)

Ref. No.	Part No.	Part Name	Q'ty	Unit Price	Remarks
4- 1	70200-71200	ROTOR	1	4,800	
2	02403-03100	KEY	1	60	
3	01511-10061	NUT	1	30	
4	01600-10251	SPRING WASHER	1	20	
5	70200-71610	COIL	1	6,500	
6	70200-71640	CORD	1	100	
7	20011-71660	TUBE	1	40	
8	20011-72110	GROMMET	1	140	
9	20011-72120	GROMMET	1	70	
10	20010-72221	PLUG CAP	1	320	
11	70180-72260	SHIELD	1	480	
12	20000-72241	PLUG CAP COVER	1	90	
13	20000-72250	COVER BAND	1	50	
14	20000-72230	SPRING SPARK PLUG	1	110	
15	20010-71631	SPACER COIL	2	70	
16	01020-04240	BOLT	2	30	
17	01600-04101	SPRING WASHER	2	10	
18	20010-71650	WASHER	2	10	
19	13000-13406	SPARKPLUG BMR6A	1	500	

PARTS LIST  
 SHINDAIWA  
 (LI38 LIA0380P)

B450/CE



PRICE:(¥)

Ref. No	Part No.	Part Name	Q'ty	Unit Price	Remarks
5-	70131-75100	RECOIL STARTER SUB ASSY	1	4,600	
1	70131-75110	• STARTER CASE	1	1,280	
2	70131-75120	• REEL	1	480	
3	20024-75130	• RECOIL SPRING	1	620	
4	20035-75170	• SCREW	1	40	
5	70131-75140	• WASHER	1	20	
6	20020-75180	• ROPE	1	360	
7	20010-75190	• STARTER KNOB	1	440	
8	20010-75210	• STOPPER	1	110	
9	20010-75230	• TAPE	1	50	
10	19420-00027	• LABEL TRADE	1	250	
	70131-75200	STARTER PULLY ASSY	1	760	
11	70131-75211	• STARTER PULLEY	1	530	
12	20024-75220	• RATCHET	1	80	
13	20024-75230	• RETURN SPRING	1	190	
14	20024-75240	• E RING	1	30	
15	20000-76210	NUT	1	30	
16	11022-04160	BOLT SPW	4	40	
17	20020-76110	GASKET STARTER	1	70	

PARTS LIST  
 SHINDAIWA  
 (LI38 LIA0380P)

B450/CE

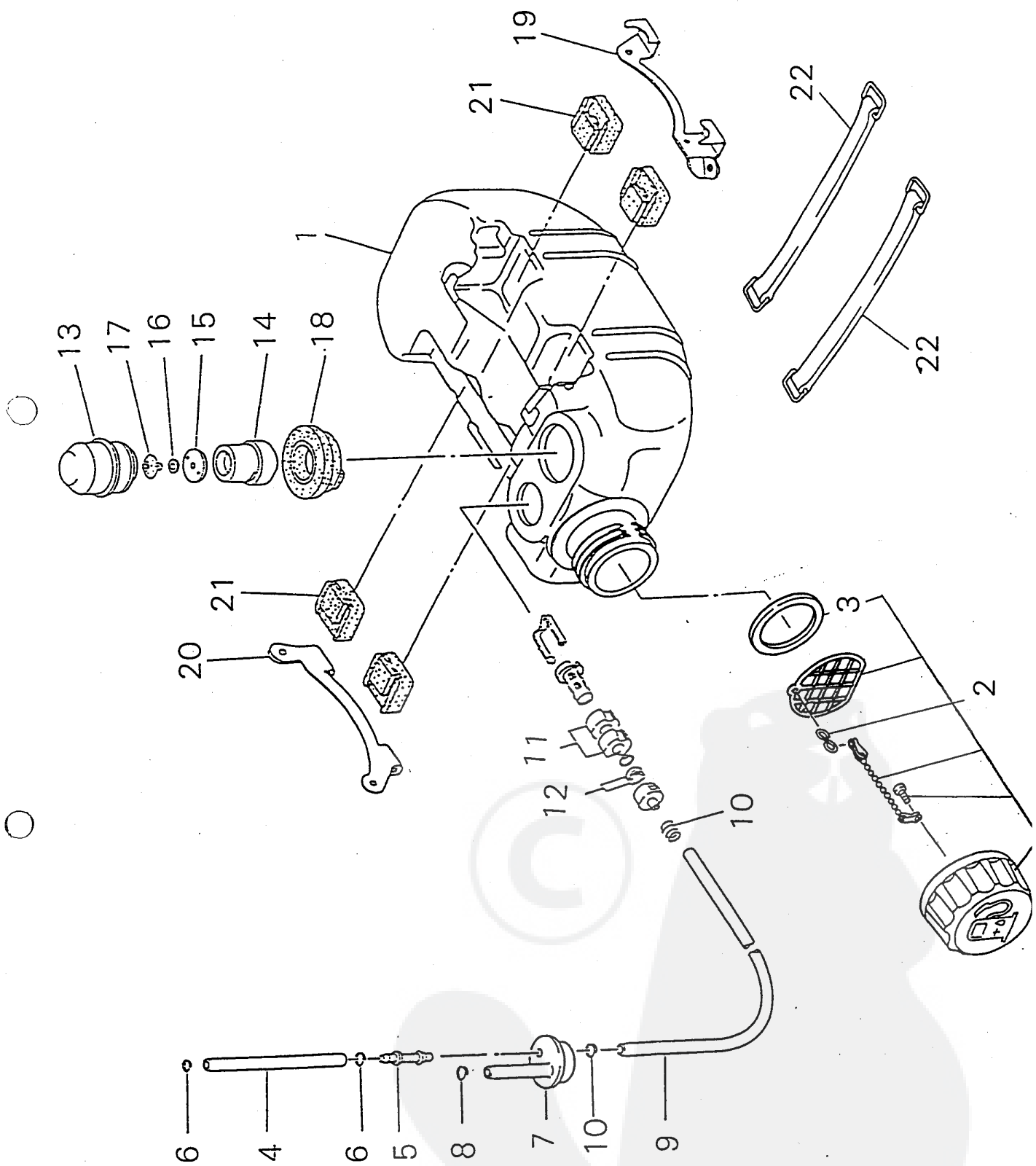


PRICE: (¥)

Ref. No.	Part No.	Part Name	Qty	Unit Price	Remarks
6-	70210-81020	CARBURETOR BODY SUB ASSY	1	8,000	
1	20055-81120	• BODY CAP	1	450	
2	70131-81180	• THROTTLE VALVE	1	960	
3	70200-81170	• JET NEEDLE	1	570	
4	20087-81411	• CHECK VALVE	1	600	
5	20087-81420	• PACKING	1	190	
6	70200-81430	• PLATE	1	280	
7	20000-81441	• NEEDLE VALVE	1	750	
8	20011-81451	• LEVER	1	210	
9	20011-81460	• PIN	1	120	
10	20011-81470	• SCREW	2	40	
11	20040-81430	• SPRING	1	140	
12	20087-81510	• GASKET	1	150	
13	20087-81520	• DIAPHRAGM	1	1,290	
14	20087-81540	• GASKET	1	150	
15	20087-81550	• COVER	1	1,480	
16	20087-81571	• CHECK VALVE	1	650	
17	20087-81811	• PUMP BASE	1	360	
18	20087-81820	• PUMP	1	250	
19	20087-81851	• SPRING	1	100	
20	20087-81870	• SPRING	1	100	
21	20087-81890	• PACKING	1	200	
22	20087-81861	• VALVE	1	200	
23	20011-81621	• DIAPHRAGM	1	310	
24	20011-81630	• GASKET	2	110	
25	20087-81660	• PUMP VALVE	1	790	
26	70102-81710	CLEANER BODY	1	720	
27	20056-81740	FILTER	1	130	
28	11207-04250	SCREW PM SLPW	2	20	
	20060-81760	CLEANER COVER COMP	1	680	
29	20060-81770	• CLEANER COVER	1	330	
30	20060-81780	• KNOB CLEANER COVER	1	330	
31	20024-81790	• CONE WASHER	1	30	
32	22100-82430	• O RING	1	40	
33	19404-00008	• LABEL CHOKE	1	80	
34	20021-83410	GASKET CARBURETOR	1	550	

PARTS LIST  
SHINDAIWA  
(LI38 LIA0380P)

B450/CE

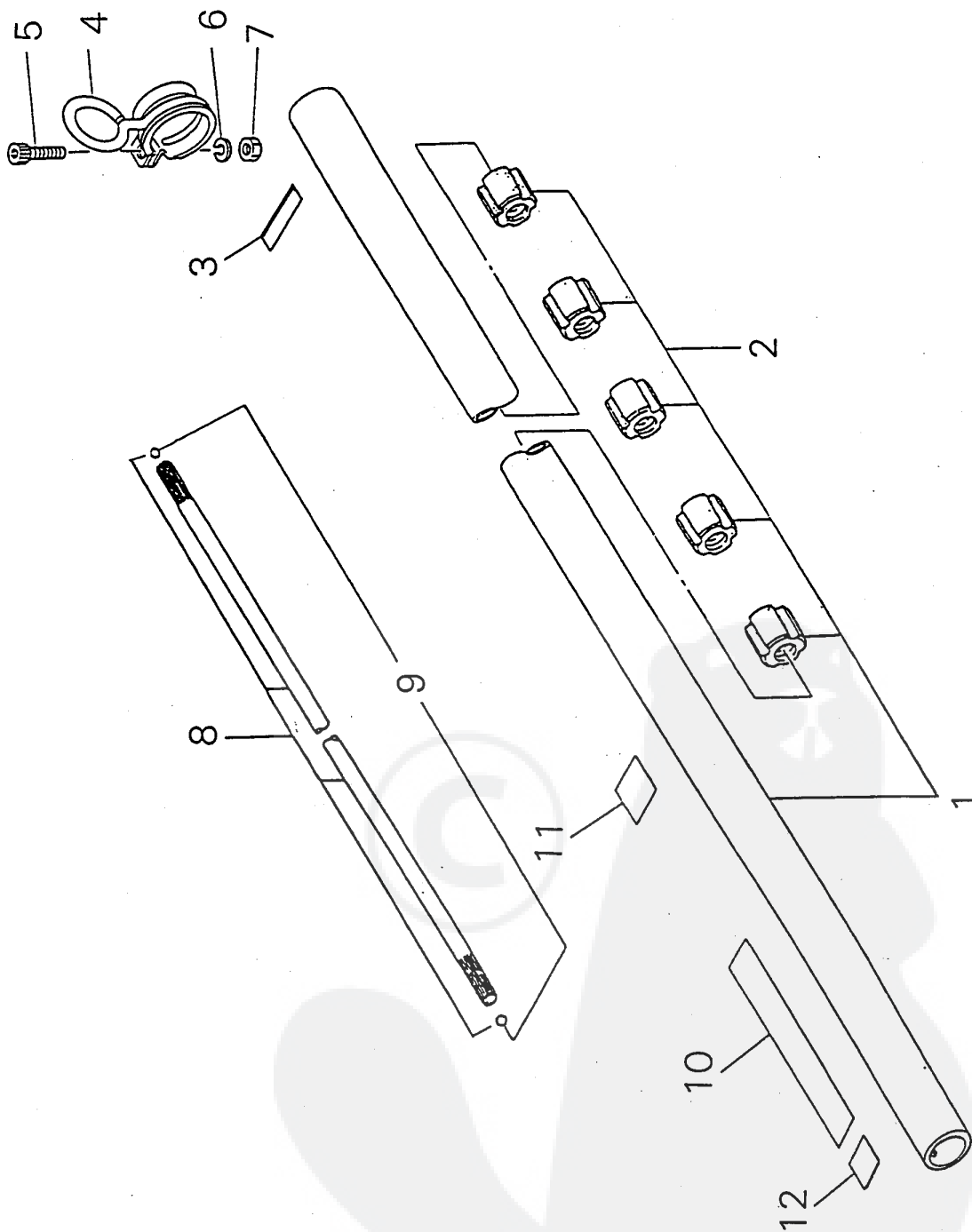


PRICE: (¥)

Ref. No.	Part No.	Part Name	Q'ty	Unit Price	Remarks
7- 1	70200-85110	FUEL TANK	1	1,800	
2	70168-85201	FUEL CAP ASSY	1	210	
3	20000-85221	• GASKET FUEL	1	60	
4	70200-85310	FUEL PIPE	1	70	
5	72935-85330	JOINT	1	250	
6	20020-85540	CLIP	2	30	
7	70200-85350	GROMMRT	1	370	
8	20020-85540	CLIP	1	30	
9	70200-85320	FUEL PIPE	1	100	
10	20020-85540	CLIP	2	30	
	22169-35400	FUEL FILTER SUB ASSY	1	1,530	
11	22128-85421	• FILTER	2	110	
12	22118-85460	• SCREEN	2	170	
	20000-85500	BREATHER SUB ASSY	1	680	
13	20000-85511	• CAP BREATHER	1	70	
14	20000-85521	• HOLDER VALVE	1	100	
15	22100-85240	• RETAINER FUEL	1	50	
16	22100-85250	• WASHER FUEL	1	20	
17	22100-85260	• VALVE FUEL	1	470	
18	20000-85579	GROMMET BREATHER	1	90	
19	20021-86110	BRACKET S	1	200	
20	20011-86120	BRACKET M	1	170	
21	20010-86130	CUSHION	4	70	
22	20010-86140	BAND	2	300	

PARTS LIST  
 SHINDAIWA  
 (LI38 LIA0380P)

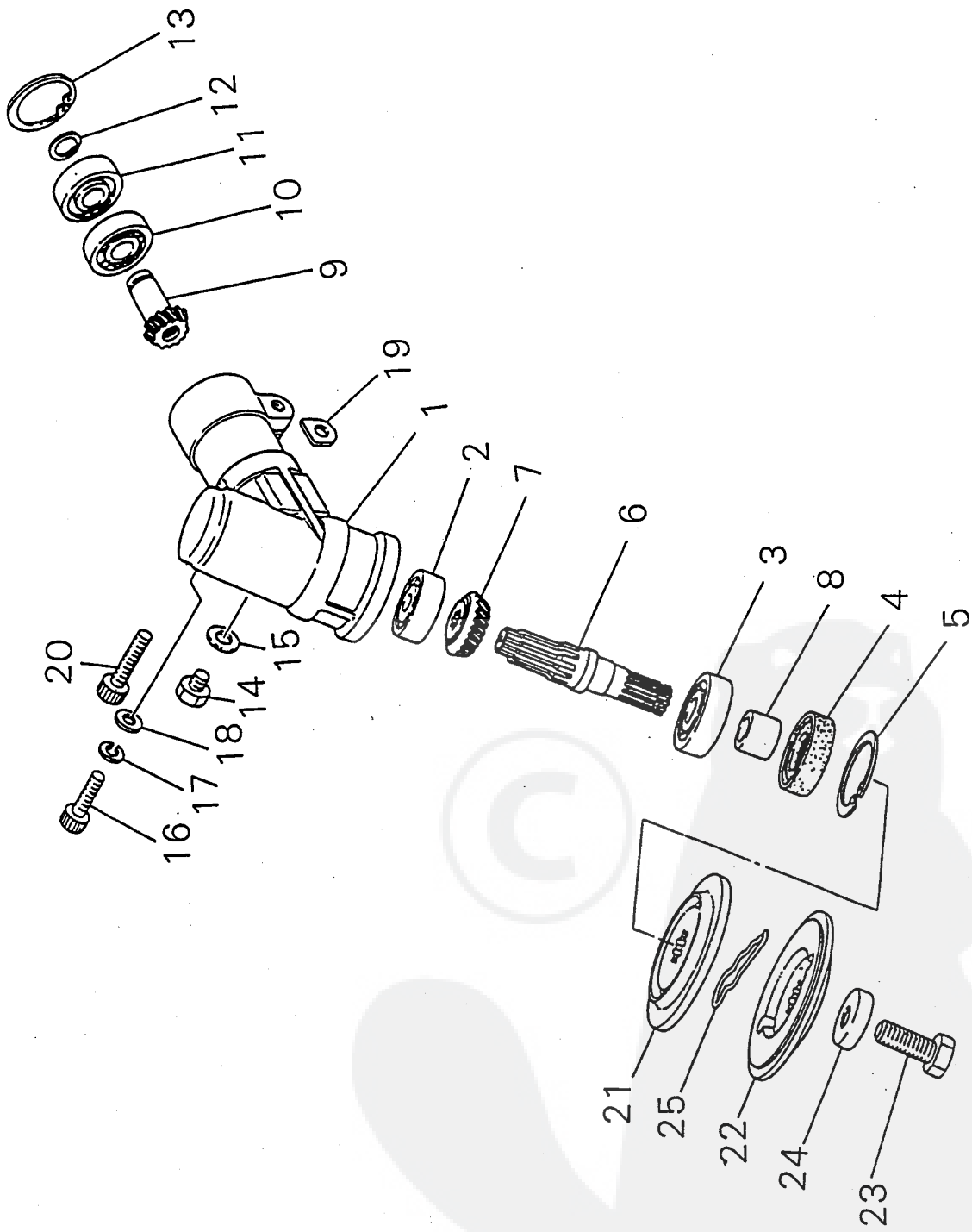
B450/CE





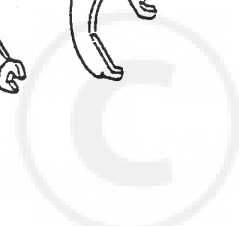
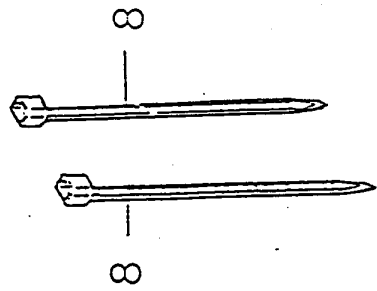
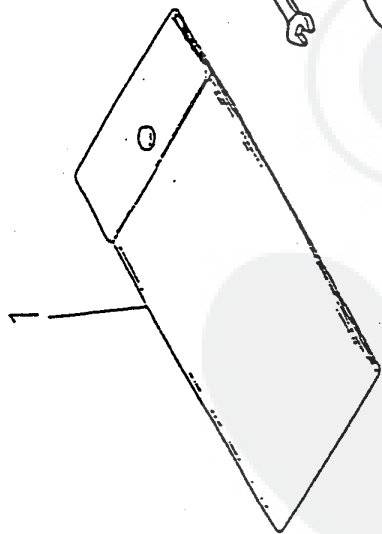
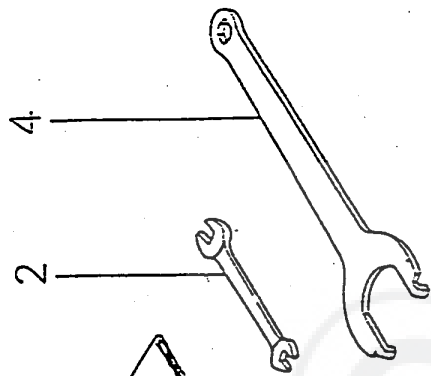
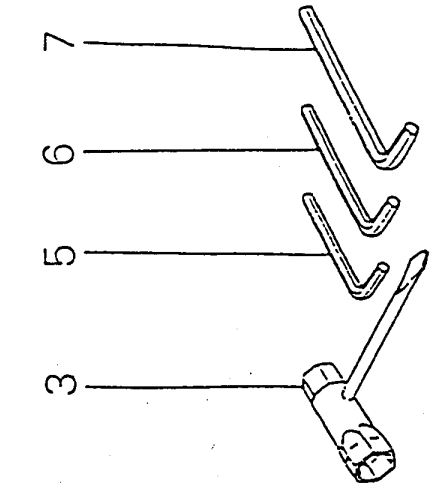
PRICE:(¥)

Ref. No	Part No.	P a r t N a m e	Q' ty	Unit Price	R e m a r k s
8- 1	72551-12101	OUTER PIPE SUB ASSY	1	9,400	
2	22021-12120	• BUSHING	5	490	
3	72005-12140	• CAUTION PLATE	1	100	
4	22017-12210	HANGER	1	740	
5	01020-05120	BOLT	1	30	
6	01600-05131	SPRING WASHER	1	10	
7	01500-05041	NUT	1	10	
8	72550-12400	MAIN SHAFT SUB ASSY	1	4,550	
9	22021-12420	• STOPPER	2	40	
10	19422-00010	LABEL CAUTION	1	800	
11	72551-12540	LABEL	1	200	
12	19402-00084	LABEL CAUTION	1	100	

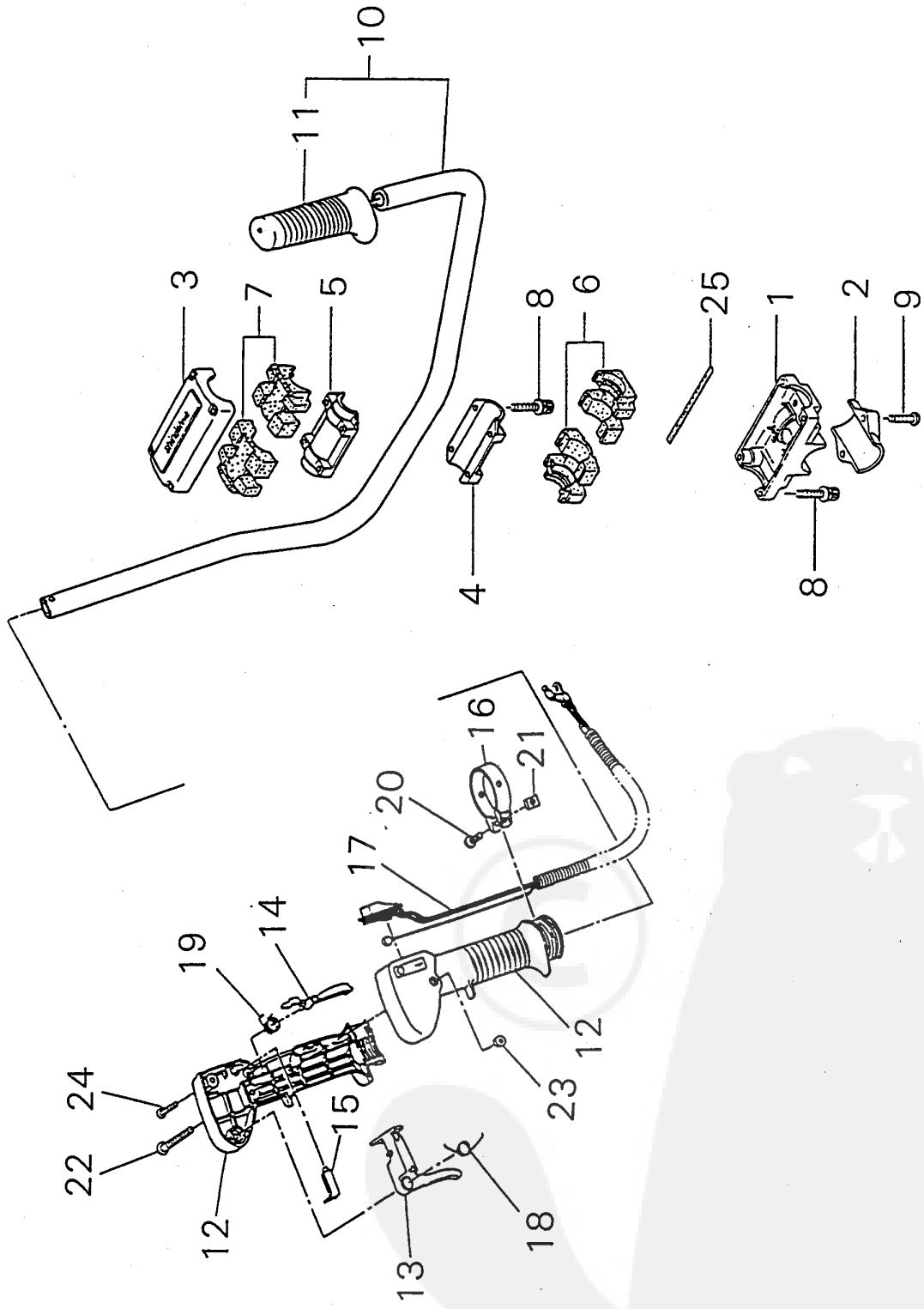


PRICE: (¥)

Ref. No.	Part No.	Part Name	Q'ty	Unit Price	Remarks
9-	72080-13010	GEAR CASE SUB ASSY	1	14,700	
1	72017-13110	• GEAR CASE	1	4,050	
2	02006-06000	• BEARING	1	480	
3	02000-06202	• BEARING	1	320	
4	22015-13120	• OIL SEAL	1	330	
5	02432-35150	• SNAP RING	1	40	
6	22015-13210	• GEAR SHAFT	1	2,780	
7	22015-13220	• BEVEL GEAR	1	2,230	
8	22015-13230	• COLLAR	1	280	
9	22021-13390	• PINION SET	1	2,850	
10	02000-06001	• BEARING	1	360	
11	02002-06001	• BEARING	1	470	
12	20000-31140	• SNAP RING	1	40	
13	02432-28120	• SNAP RING	1	40	
14	22015-13410	• BOLT	1	60	
15	22015-13420	• GASKET	1	30	
16	01020-06120	• BOLT	1	40	
17	01600-06151	• SPRING WASHER	1	10	
18	01610-06080	• WASHER	1	10	
19	22011-13450	• SHIM	1	20	
20	11022-06280	• BOLT SPW	1	80	
21	22015-13241	HOLDER A	1	1,770	
22	22015-13251	HOLDER B	1	1,770	
23	22015-13261	BOLT	1	190	
24	22015-13270	BOLT GUARD	1	320	
25	22015-13290	SLIDE PIN	1	130	





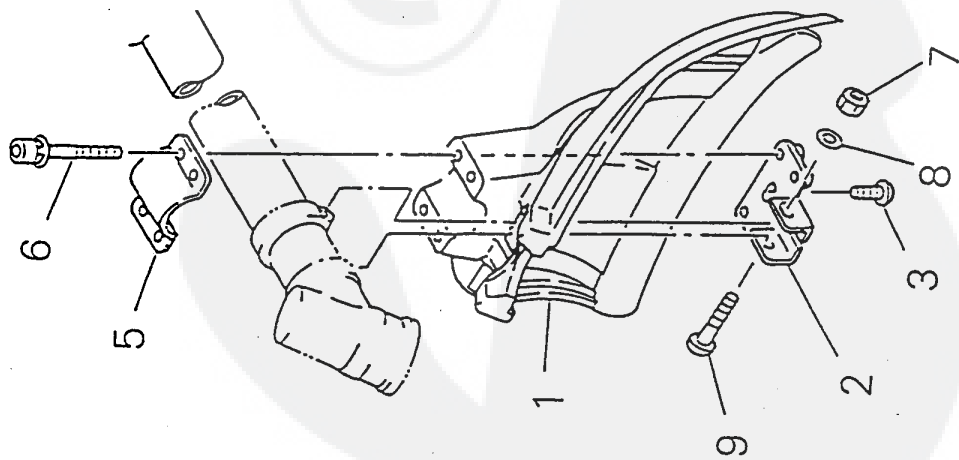
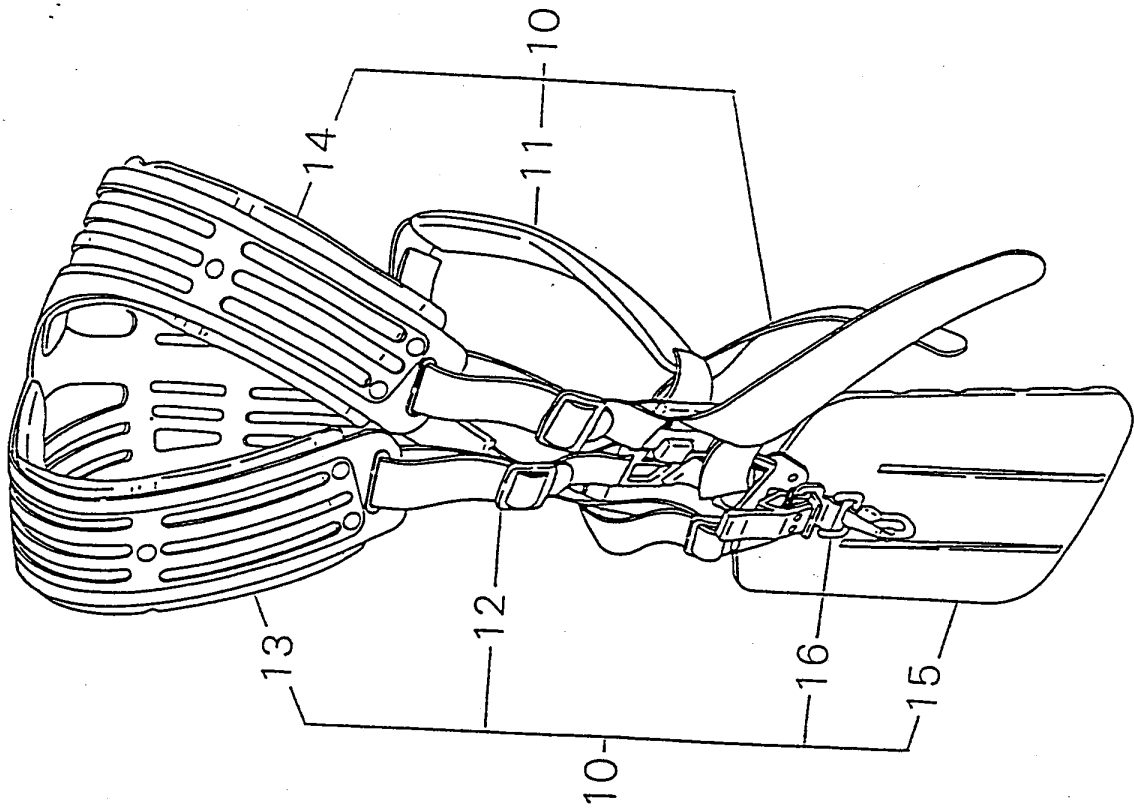


PRICE: (¥)

Ref. No	Part No.	Part Name	Qty	Unit Price	Remarks
11-	72514-14100	BRACKET SUB ASSY	1	4,950	
1	72017-14110	• HANDLE BRACKET	1	960	
2	72017-14120	• LOWER CAP	1	530	
3	72017-14130	• UPPER CAP	1	860	
4	22015-14140	• LOWER CLAMP	1	540	
5	22015-14150	• UPPER CLAMP	1	750	
6	22015-14160	• LOWER CUSHION	2	190	
7	22015-14170	• UPPER CUSHION	2	200	
8	11022-05250	• BOLT SPW	8	50	
9	11210-06250	• SCREW BUTTON	2	50	
25	72514-14190	• EARTH CORD	1	50	
10	72540-14201	HANDLE SUB ASSY	1	6,400	
11	72451-14320	• GRIP	1	1,370	
	72451-14501	THROTTLE LEVER ASSY	1	6,750	
12	72451-14600	• BODY SUB ASSY	1	2,250	
13	72451-14530	• LEVER	1	450	
14	72451-14540	• LOCK LEVER	1	270	
15	72451-14550	• BUTTON	1	180	
16	72451-14560	• CLAMP	1	160	
17	72451-14570	• THROTTLE CABLE COMP	1	3,600	
18	72451-14580	• RETURN SPRING	1	90	
19	72451-14590	• SPRING	1	130	
20	01020-06200	• BOLT	1	40	
21	72451-14610	• NUT	1	20	
22	11203-05350	• SCREW PM	1	10	
23	01501-05030	• NUT	1	20	
24	72451-14620	• SCREW TAPPING	1	20	

PARTS LIST  
SHINDAIWA  
(LI38 LIA0380P)

B450/CE



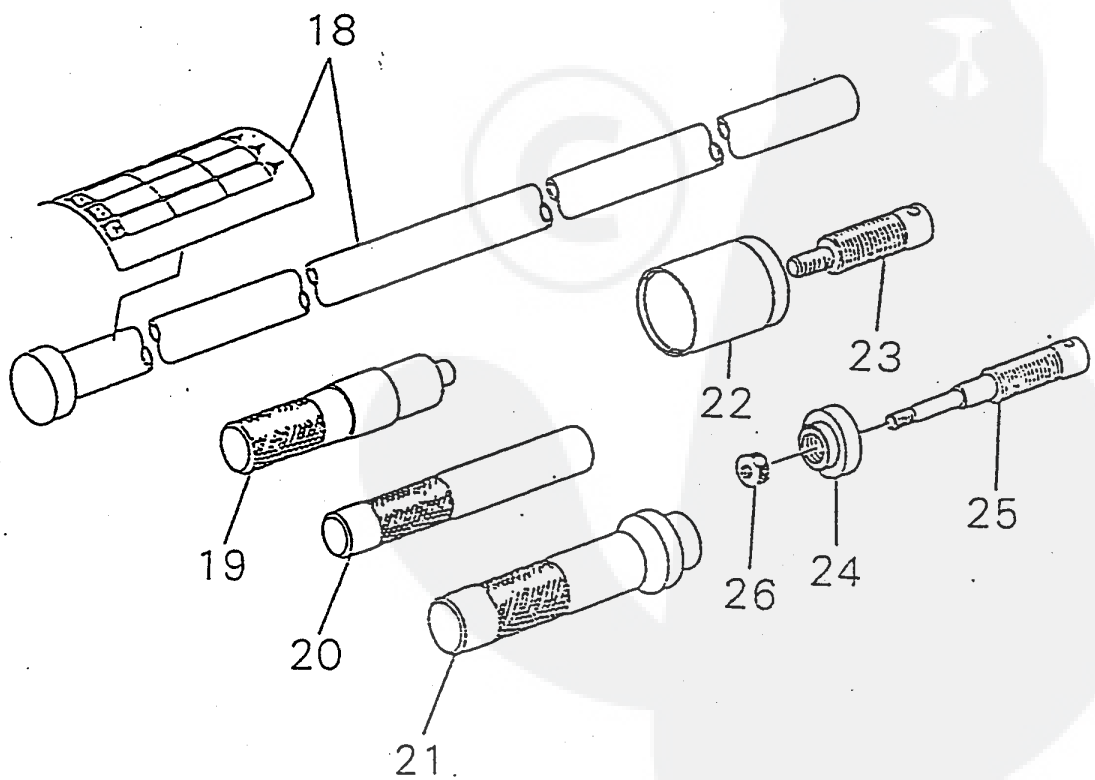
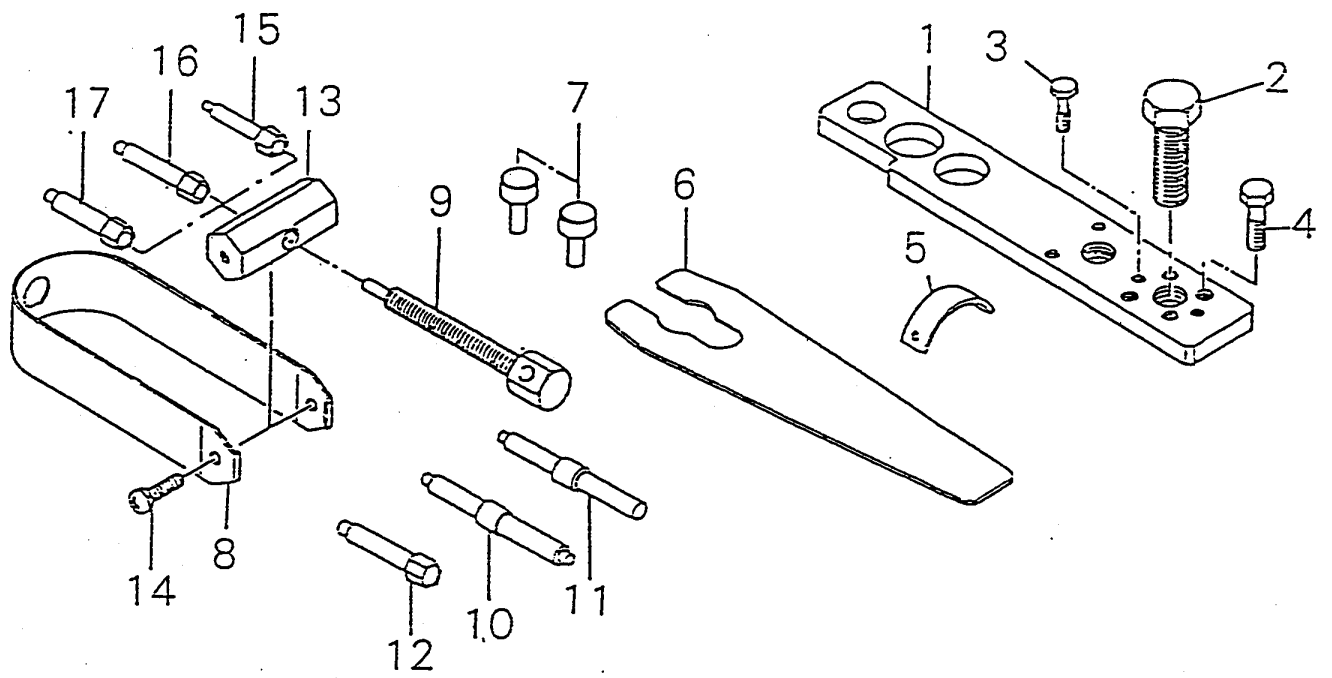


PRICE: (¥)

Ref. No.	Part No.	Part Name	Q' ty	Unit Price	Remarks
12-	1 72480-16112	GUARD	1	350	
	2 72480-16130	LOWER CLAMP	1	170	
	3 11202-40100	SCREW HILO	1	30	
	5 72480-16210	UPPER CLAMP	1	60	
	6 11022-05450	BOLT SPW	4	80	
	7 01500-06051	NUT	1	10	
	8 01613-06100	WASHER	1	70	
	9 11022-06400	BOLT SPW	1	100	
	10 72451-17203	HARNES ASSY	1	6,000	
	11 22007-17220	• PROTECTOR	1	310	
	12 72451-17230	• BUCKLE	4	60	
	13 72451-17241	• PAD RIGHT	1	840	
	14 72451-17251	• PAD LEFT	1	840	
	15 72451-17262	• PAD	1	1,980	
	16 72451-17271	• HOOK	1	1,580	

PARTS LIST  
 SHINDAIWA  
 (LI38 LIA0380P)

B450/CE



## PRICE:(¥)

Ref. No	Part No.	Part Name	Q'ty	Unit Price	Remarks
13-	20000-96104	PULLER ASSY	1	5,080	
1	20000-96114	• LEVER	1	3,850	
2	22100-96121	• CENTER BOLT	1	620	
3	20000-96130	• BOLT	3	130	
4	20000-96140	• BOLT	2	170	
5	20000-96210	AIR GAP GAUGE	1	310	
6	20000-96411	ROTOR SPANNER	1	1,350	
7	20021-96420	STOPPER	2	190	
	20021-96601	PULLER ASSY	1	6,680	
8	20021-96611	• PULLER	1	320	
9	20021-96621	• BOLT	1	2,350	
12	20021-96630	• GUIDE PIN	1	420	
13	20000-96640	• BOSS	1	560	
14	01211-06120	• SCREW SW	2	20	
15	20021-96650	• PIN ADAPTER	1	590	
16	20021-96660	• PIN ADAPTER	1	660	
17	20021-96670	• PIN ADAPTER	1	720	
	22000-96101	ROD BUSHING ASSY	1	8,560	
19	22015-96210	ROD	1	1,890	
20	22015-96310	ROD	1	1,230	
21	22015-96410	ROD	1	2,710	
	22015-96500	PULLER ASSY	1	1,720	
22	22015-96510	• HOLDER	1	1,410	
23	22015-96520	• BOLT	1	490	
	22015-96600	PULLER ASSY	1	1,200	
24	22015-96610	• HOLDER A	1	580	
25	22000-96621	• BOLT	1	710	
26	22000-96630	• NUT	1	90	

PARTS LIST  
SHINDAIWA  
(L138 LIA0380P)