

# Shindaiwa Illustrated Parts List

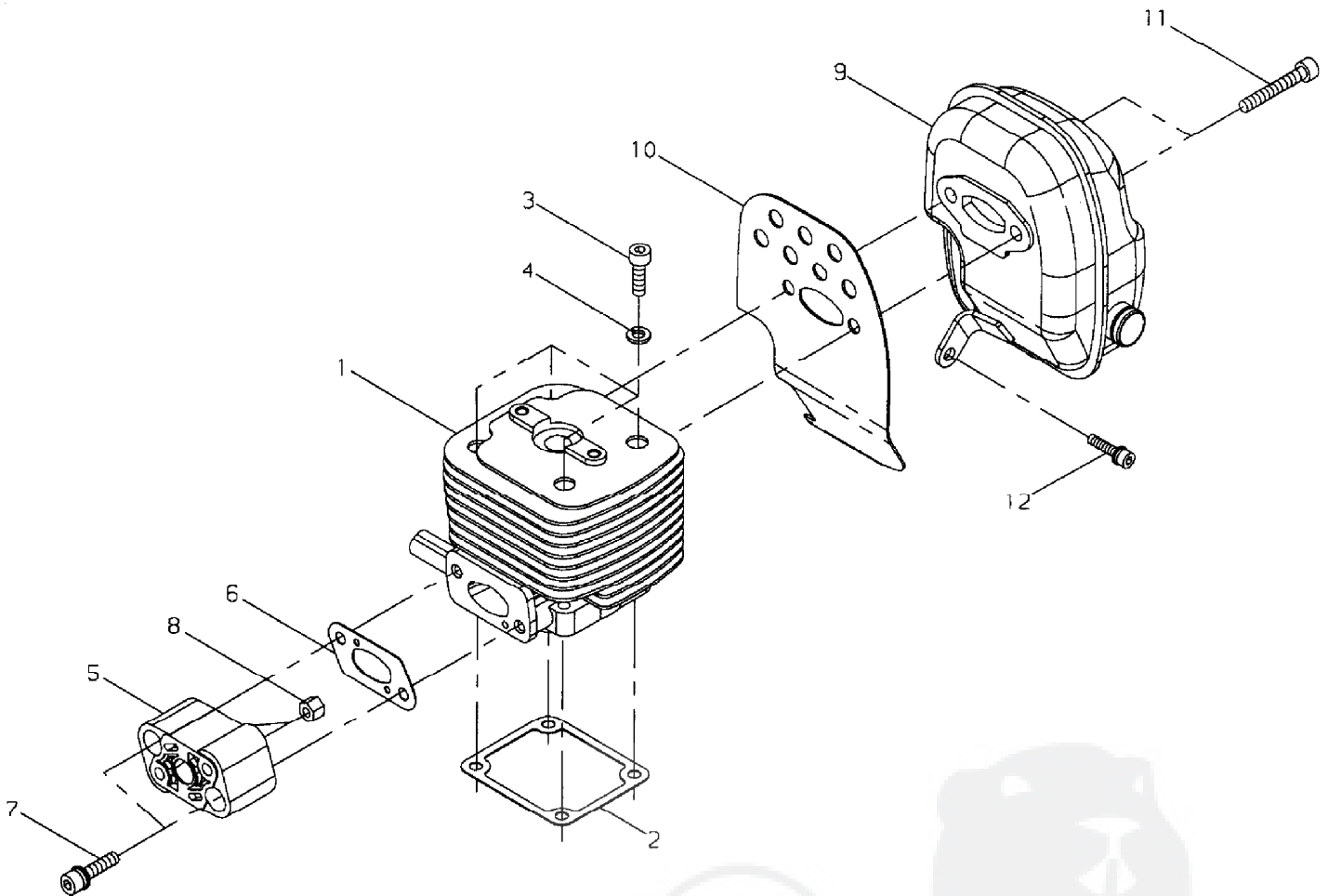
## B450 EC1 BRUSHCUTTER

---

CYLINDER.....	2
CRANKCASE.....	3
PISTON.....	4
ROTOR.....	5
CARBURETOR ASSEMBLY.....	6
CARBURETOR ASSEMBLY.....	7
RECOIL STARTER ASSEMBLY.....	8
FUEL TANK ASSEMBLY.....	9
OUTER PIPE SUB-ASSEMBLY.....	10
GEAR CASE SUB-ASSEMBLY.....	11
CYLINDER.....	12
HARNESS ASSEMBLY.....	13
BLADE COVER.....	14
TOOL SET.....	15

## CYLINDER

REV 5/05

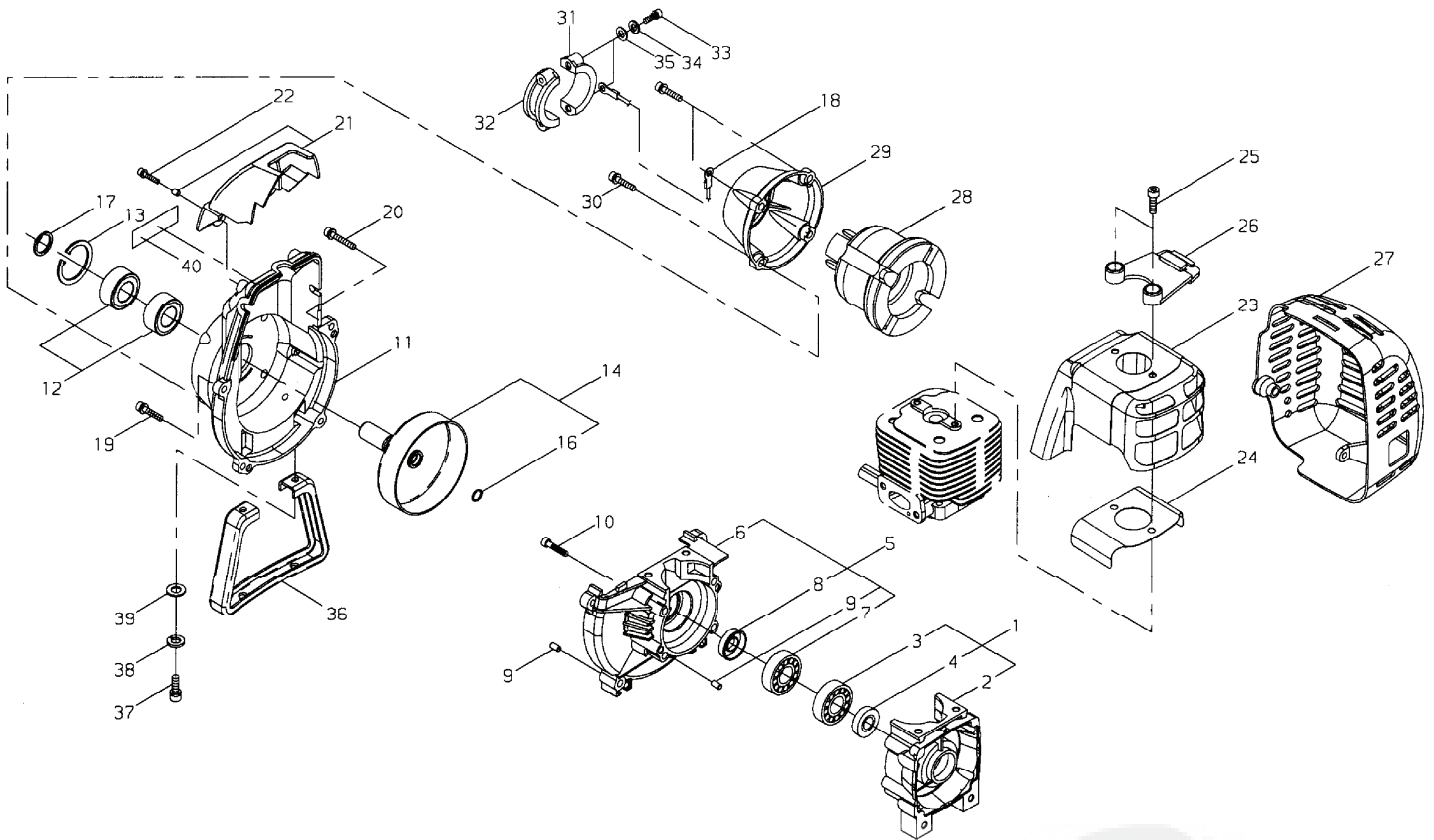


Ref. No	Part No.	Part Name	Qty.
1-1	70210-12111	CYLINDER	1
2	20010-12121	GASKET CYLINDER	1
3	01020-05250	BOLT	4
4	01600-05131	SPRING WASHER	4
5	20060-12210	INSULATOR	1
6	20011-12221	GASKET	1
7	11022-05250	BOLT SPW	2
8	20024-12260	NUT	2
9	62104-15110	MUFFLER	1
10	62104-15210	GASKET	1
11	01020-06250	BOLT	2
12	11024-05120	BOLT SLPW	1

\* Denotes item is part of an assembly  
 \*\* Denotes item is part of a sub-assembly

CRANKCASE

REV 5/05



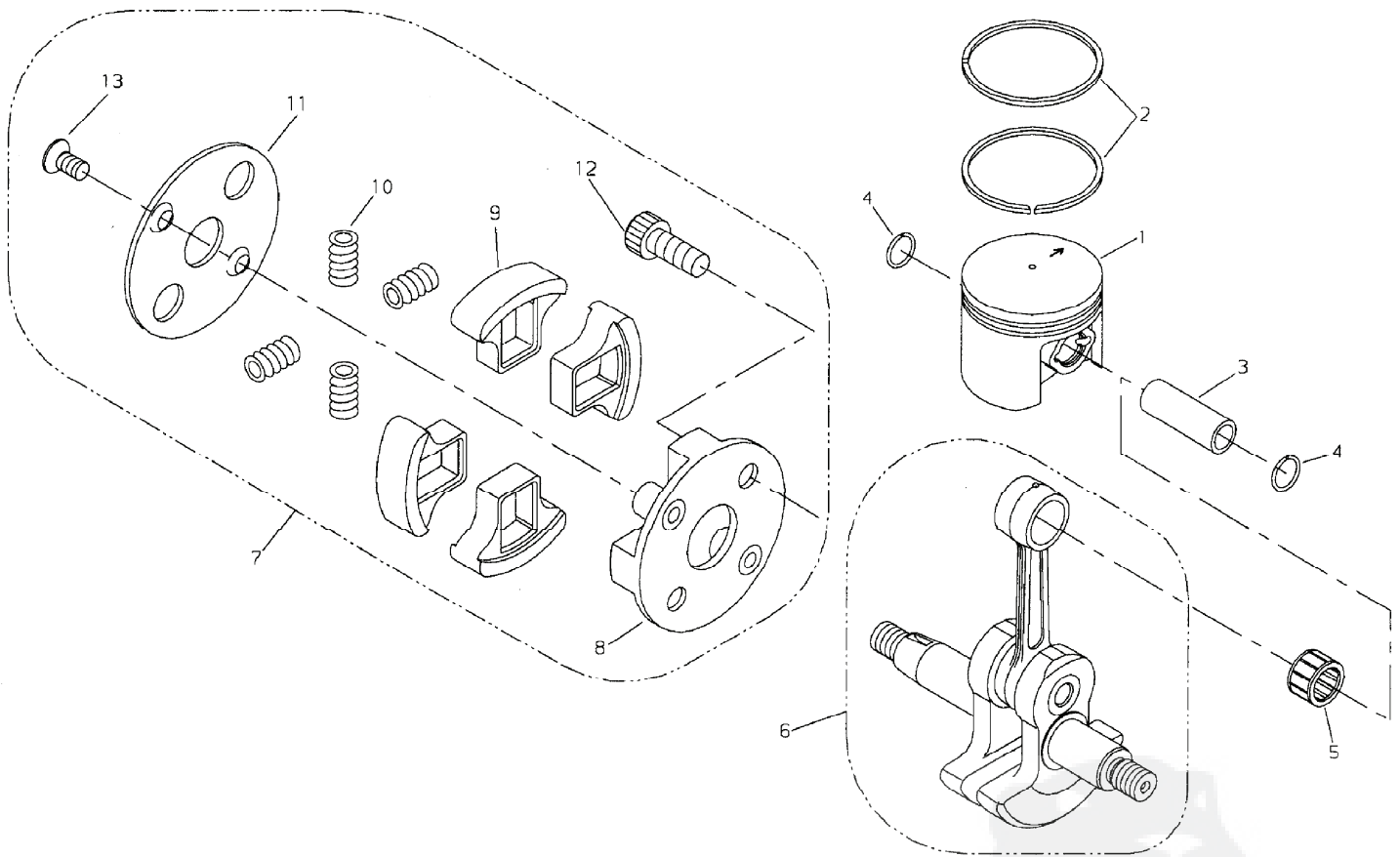
Ref. No	Part No.	Part Name	Qty.
2-1	72935-21101	CRANKCASE S COMP	1
2	72935-21111	*CRANKCASE S	1
3	12900-62020	*BEARING	1
4	20010-21211	*OIL SEAL	1
5	70062-21200	CRANKCASE M COMP	1
6	72921-21121	*CRANKCASE M	1
7	12900-62020	*BEARING	1
8	20010-21211	*OIL SEAL	1
9	12492-50100	*DOWEL PIN	4
10	01020-05300	BOLT	4
11	70012-31111	FAN COVER	1
12	02006-06002	BEARING	2
13	02432-32120	SNAP RING	1
14	20021-31200	CLUTCH DRUMSET	1
16	20021-31220	*SNAP RING	1
17	20011-31230	SNAP RING	1
18	70192-31510	EARTH CORD	1
19	11022-05200	BOLT SPW	3
20	11022-05300	BOLT SW	1

Ref. No	Part No.	Part Name	Qty.
21	70131-34100	PROTECTOR COMP	1
22	11024-04160	BOLT SLPW	2
23	70210-32111	CYLINDER COVER	1
24	70196-32141	GASKET	1
25	11022-05180	BOLT SPW	2
26	62104-32310	STAY	1
27	62104-32320	MUFFLER COVER	1
28	20011-35110	JOINT	1
29	70012-35130	CAP JOINT	1
30	11022-05200	BOLT SPW	4
31	20011-35141	CLAMP A	1
32	20011-35151	CLAMP B	1
33	01020-05250	BOLT	2
34	01600-05131	SPRING WASHER	2
35	01610-05080	WASHER	2
36	70200-33112	STAND	1
37	70210-33120	BOLT	2
38	01600-05131	SPRING WASHER	2
39	01613-05080	WASHER	2
40	70210-31150	LABEL TRADE	1

\* Denotes item is part of an assembly  
 \*\* Denotes item is part of a sub-assembly

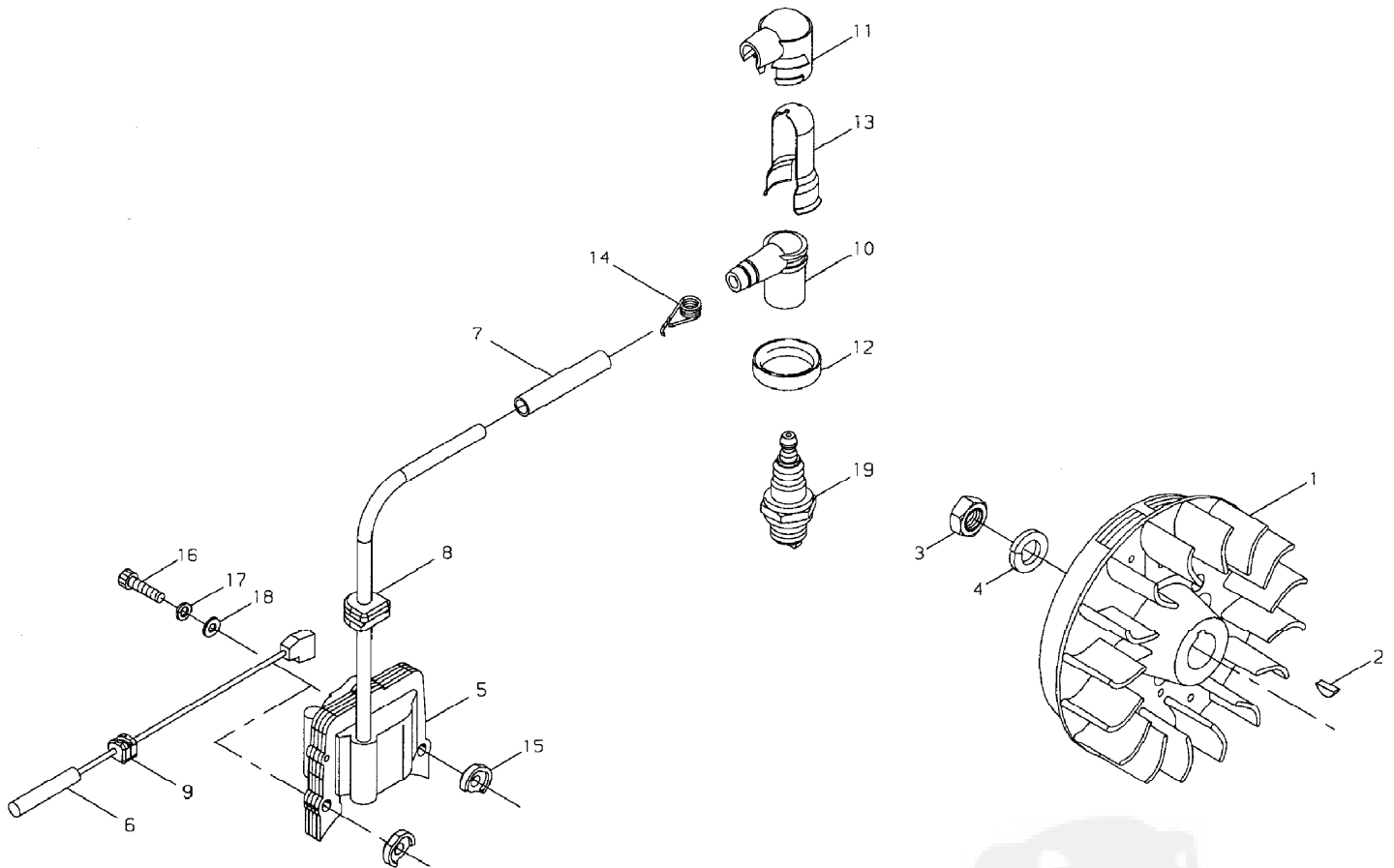
## PISTON

REV 5/05



Ref. No	Part No.	Part Name	Qty.
3-1	70210-41110	PISTON	1
2	22182-41210	PISTON RING	2
3	22160-41220	PISTON PIN	1
4	22100-41230	SNAP RING	2
5	22160-41240	BEARING SE	1
6	70210-42001	CRANKSHAFT ASSEMBLY	1
7	70210-51100	CLUTCHSHOE ASSEMBLY	1
8	20020-51112	*CLUTCH BOSS	1
9	20020-51121	*CLUTCH SHOE	4
10	20020-51131	*SPRING	4
11	20020-51140	*PLATE	1
12	20020-51150	*CLUTCH BOLT	2
13	70210-51160	*SCREW FLAT	2

\* Denotes item is part of an assembly  
 \*\* Denotes item is part of a sub-assembly

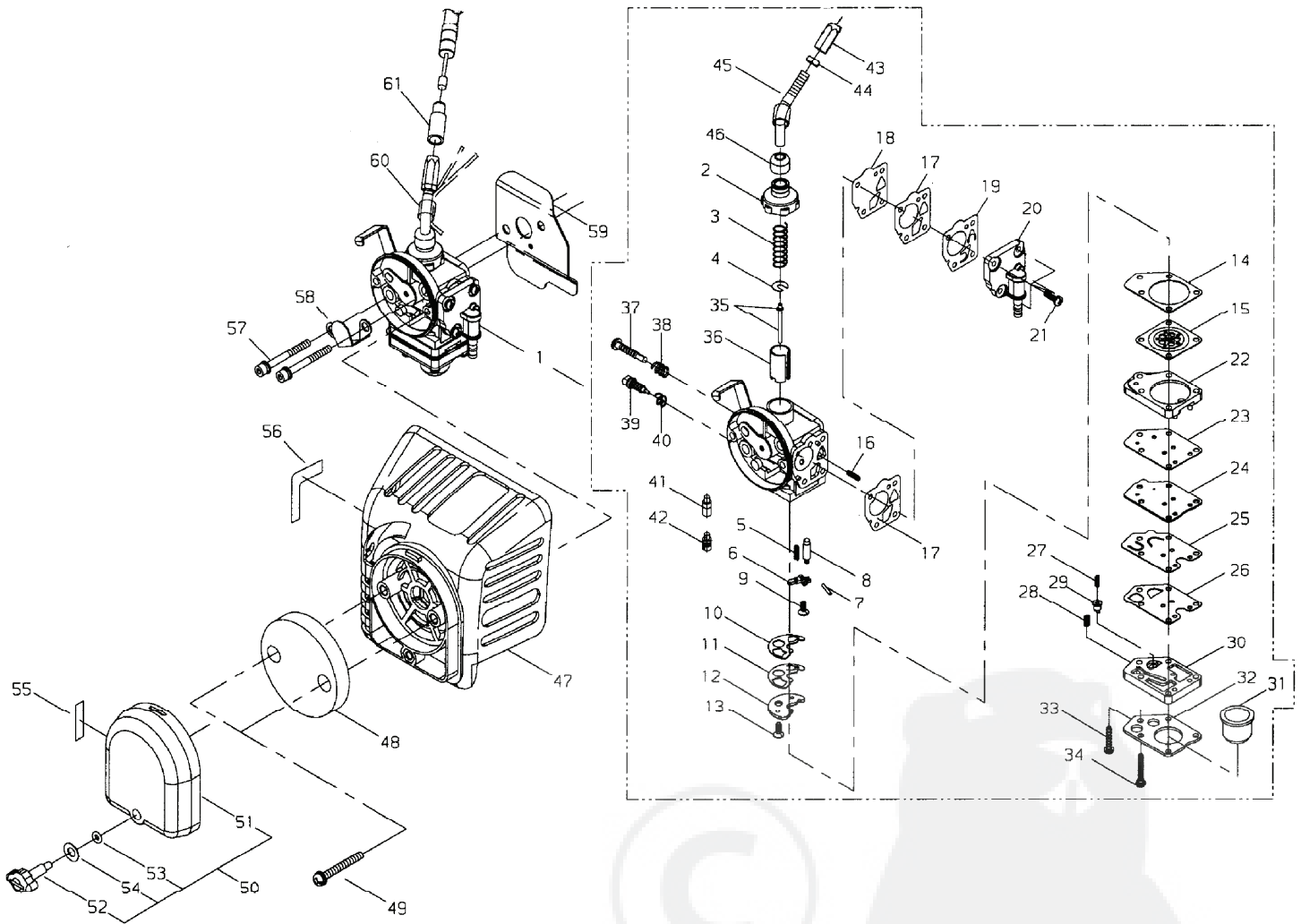


Ref. No	Part No.	Part Name	Qty.
4-1	70200-71200	ROTOR	1
2	02403-03100	KEY	1
3	01511-10061	NUT	1
4	01600-10251	SPRING WASHER	1
5	70200-71610	COIL	1
6	70200-71640	CORD	1
7	20011-71660	TUBE	1
8	20011-72110	GROMMET	1
9	20011-72120	GROMMET	1
10	20010-72221	PLUG CAP	1
11	20000-72241	PLUG CAP COVER	1
12	20000-72250	COVER BAND	1
13	70180-72260	SHIELD	1
14	20000-72230	SPRING SPARKPLUG	1
15	20010-71631	SPACER COIL	2
16	01020-04240	BOLT	2
17	01600-04101	SPRING WASHER	2
18	20010-71650	WASHER	2
19	13000-13406	SPARK PLUG BMR6A	1

\* Denotes item is part of an assembly  
 \*\* Denotes item is part of a sub-assembly

## CARBURETOR ASSEMBLY

REV 5/05



\* Denotes item is part of an assembly  
\*\* Denotes item is part of a sub-assembly

## CARBURETOR ASSEMBLY

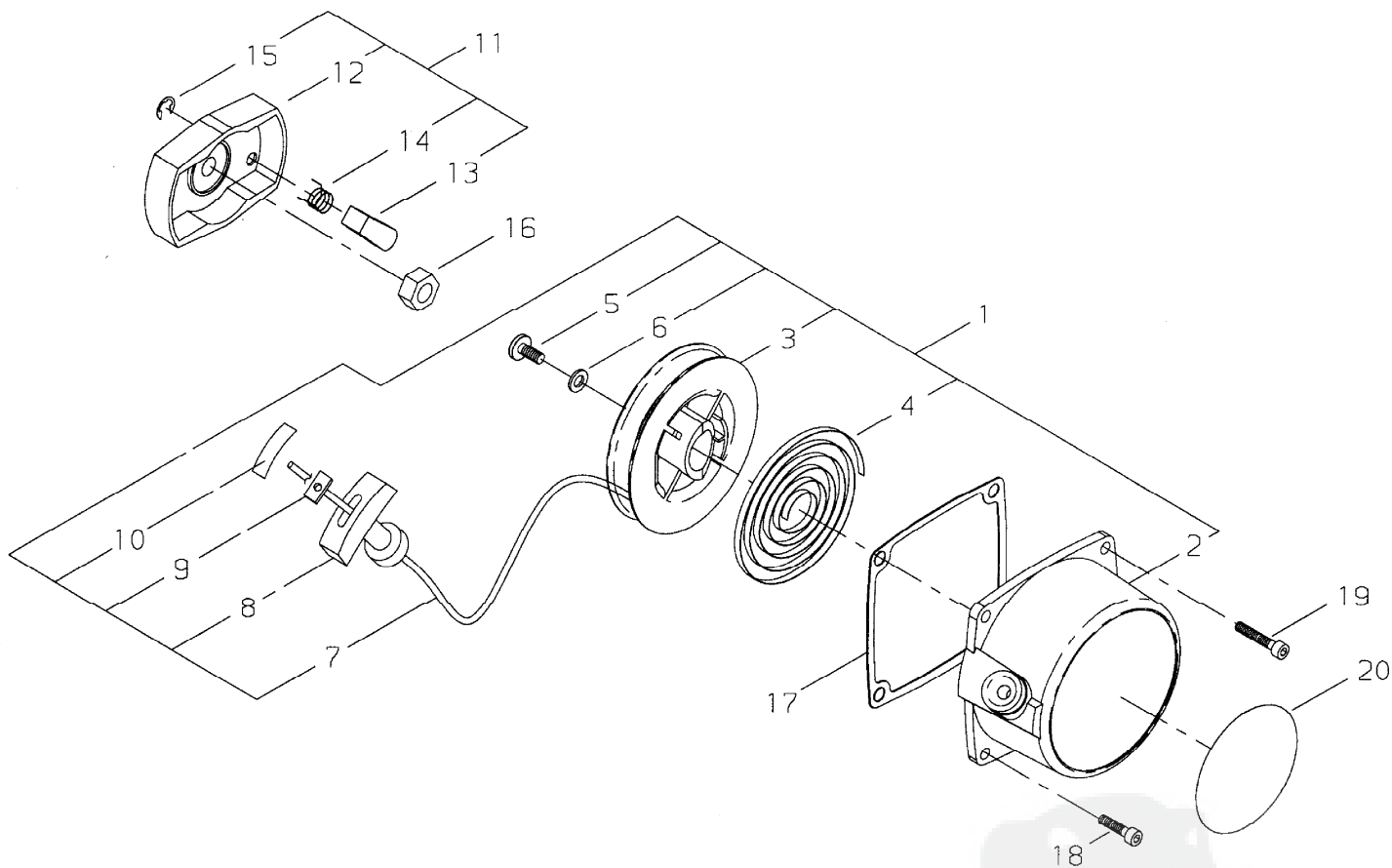
REV 5/05

Ref. No	Part No.	Part Name	Qty.	Ref. No	Part No.	Part Name	Qty.
6- 1	62104-81011	CABURETOR ASSEMBLY	1	31	20087-81820	*PUMP	1
2	20055-81120	*BODY CAP	1	32	20087-81830	*PLATE	1
3	20003-81140	*THROTTLE SPRING	1	33	20087-81840	*SCREW	1
4	20000-81150	*SPRING RECEIVE	1	34	20087-81880	*SCREW	4
5	20040-81430	*SPRING	1	35	62022-81310	*JET NEEDLE	1
6	20011-81451	*LEVER	1	36	70131-81180	*THROTTLE VALVE	1
7	20011-81460	*PIN	1	37	20000-81310	*SLOW STOP SCREW	1
8	20000-81441	*NEEDLE VALVE	1	38	72920-81820	*SPRING	1
9	20011-81470	*SCREW	1	39	62104-81310	*ADJUST SCREW ASSEMBLY	1
10	70210-81440	*PACKING	1	40	20011-81360	*SPRING	1
11	70210-81430	*CHECK VALVE	1	41	70210-81411	*NEEDLE JET	1
12	70210-81451	*PLATE	1	42	70210-81420	*HOLDER	1
13	20011-81470	*SCREW	1	43	20055-81810	*CABLE ADJUSTER	1
14	20087-81510	*GASKET	1	44	20000-81260	*LOCKNUT	1
15	20087-81520	*DIAPHRAGM	1	45	70107-81830	*ADJUST PIPE	1
16	20040-81680	*SPRING	3	46	20055-81130	*CAP	1
17	20011-81630	*GASKET	2	47	70102-81710	CLEANER BODY	1
18	20011-81621	*DIAPHRAGM	1	48	20056-81740	FILTER	1
19	20087-81660	*PUMP VALVE	1	49	11260-04250	SCREW PM SLPW	2
20	20087-81640	*PUMP BODY	1	50	20060-81761	CLEANER COVER COMP	1
21	20000-81650	*SCREW	4	51	20060-81770	*CLEANER COVER	1
22	20087-81550	*COVER	1	52	20060-81781	*KNOB CLEANER COVER	1
23	20087-81890	*PACKING	1	53	22100-82430	*O-RING	1
24	20087-81560	*PLATE	1	54	20024-81790	*CONE WASHER	1
25	20087-81571	*CHECK VALVE	1	55	19404-00008	LABEL CHOKE	1
26	20087-81540	*GASKET	1	56	19404-00010	LABEL CARBURETOR	1
27	20087-81851	*SPRING	1	57	11022-05550	BOLT SW	2
28	20087-81870	*SPRING	1	58	70131-81750	PLATE	1
29	20087-81861	*VALVE	1	59	20021-83411	GASKET CARBURETOR	1
30	70210-81810	*PUMP BASE	1	60	20060-83180	PIPE	1
				61	20005-83160	CABLE CAP	1

\* Denotes item is part of an assembly  
\*\* Denotes item is part of a sub-assembly

## RECOIL STARTER ASSEMBLY

REV 5/05



Ref. No	Part No.	Part Name	Qty.
5-1	70131-75100	RECOIL STARTER SUB-ASSEMBLY	1
2	70131-75110	*STARTER CASE	1
3	70131-75120	*REEL	1
4	20024-75130	*RECOIL SPRING	1
5	20035-75170	*SCREW	1
6	70131-75140	*WASHER	1
7	20020-75180	*ROPE	1
8	20010-75190	*STARTER KNOB	1
9	20010-75210	*STOPPER	1
10	20010-75230	*TAPE	1
11	70131-75200	STARTER PULLY ASSEMBLY	1
12	70131-75211	*STARTER PULLEY	1
13	20024-75220	*RATCHET	1
14	20024-75230	*RETURN SPRING	1
15	20024-75240	*E-RING	1
16	20000-76210	NUT	1
17	20020-76111	GASKET STARTER	1
18	11022-04160	BOLT SPW	3
19	11022-04200	BOLT SPW	1
20	19420-00027	LABEL TRADE	1

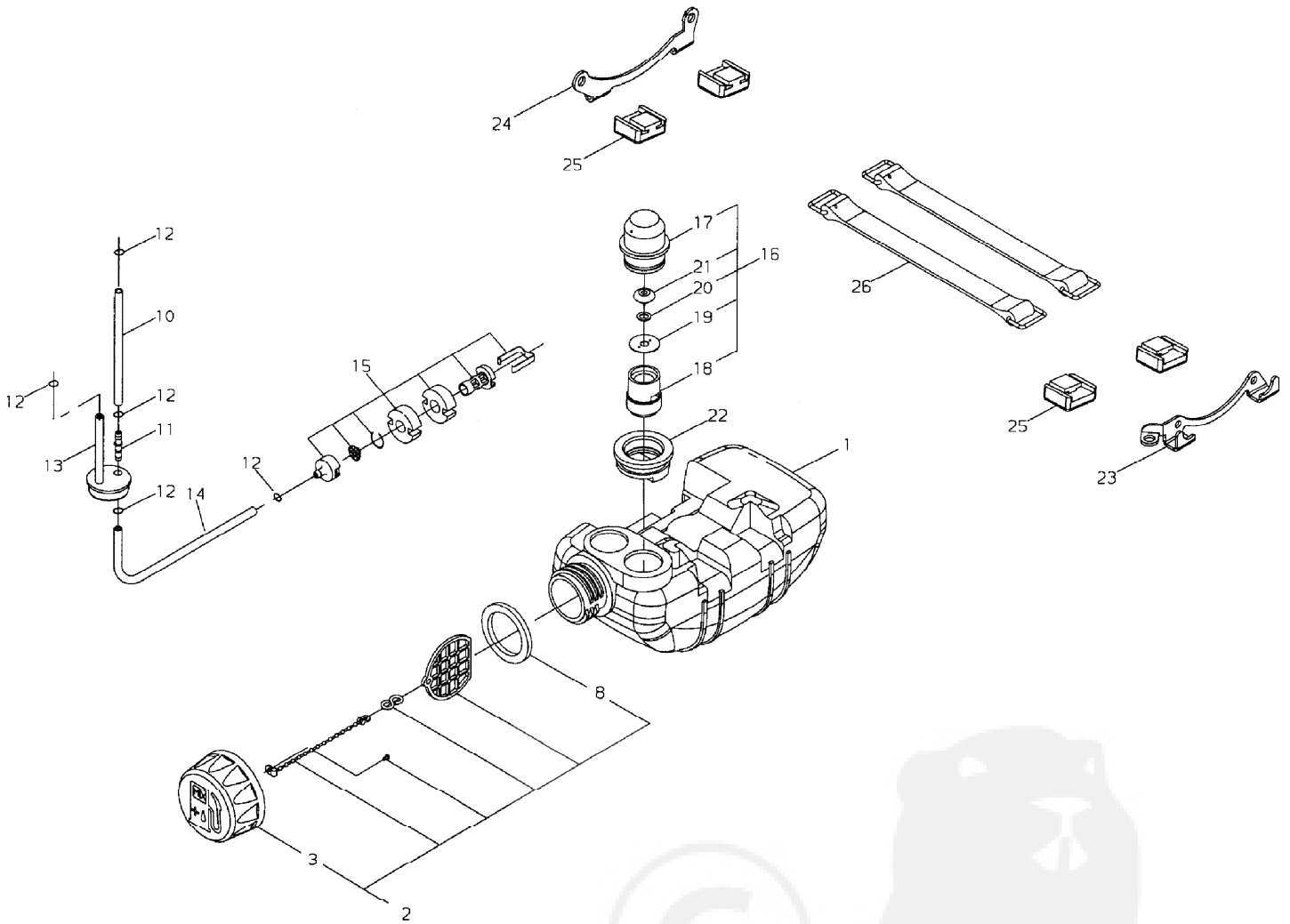
\* Denotes item is part of an assembly

\*\* Denotes item is part of a sub-assembly



FUEL TANK ASSEMBLY

REV 5/05



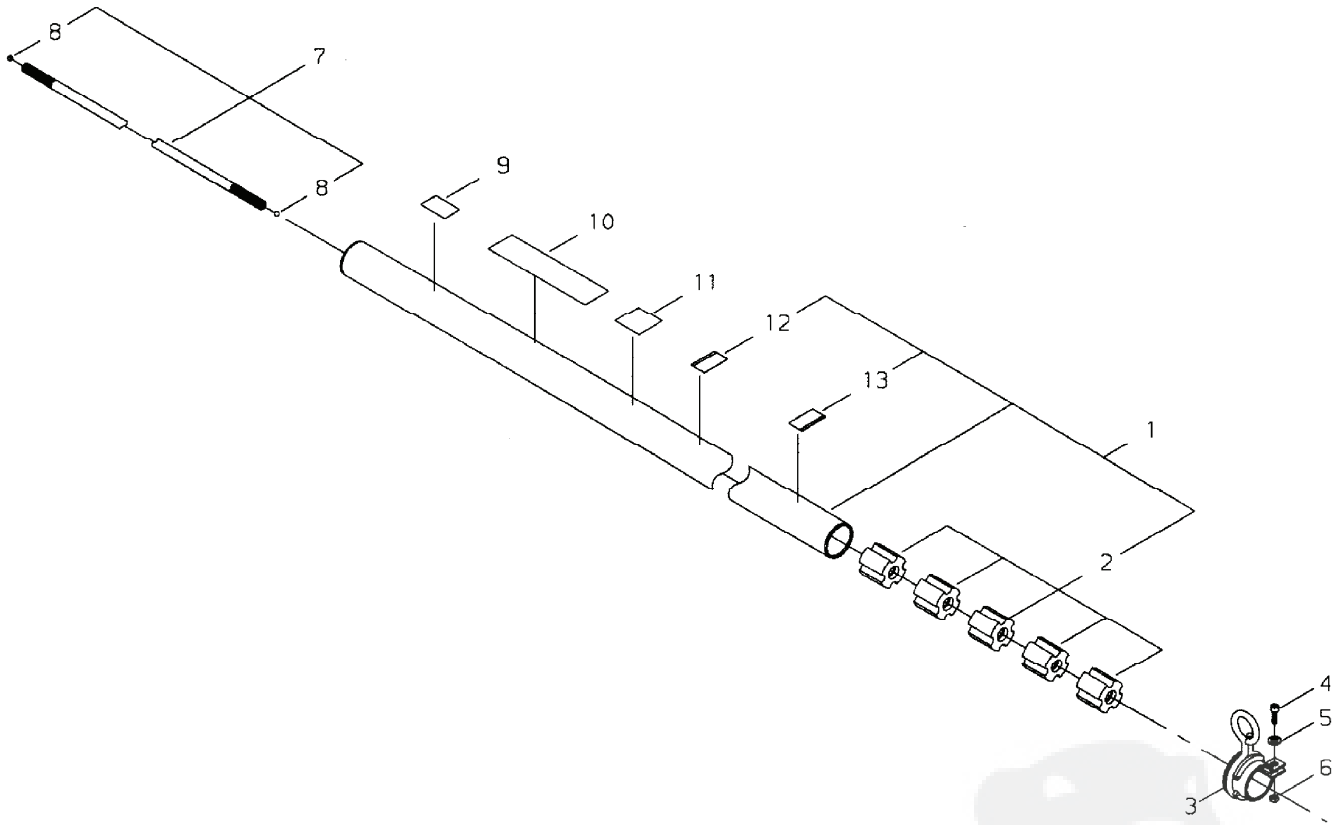
Ref. No	Part No.	Part Name	Qty.
7-1	70200-85110	FUEL TANK	1
2	70168-85201	FUEL CAP ASSEMBLY	1
3	70168-85210	*FUEL CAP	1
8	20000-85221	*GASKET	1
10	70200-85310	FUEL PIPE	1
11	72935-85330	JOINT	1
12	20020-85540	CLIP	5
13	70200-85350	GROMMET	1
14	70200-85320	FUEL PIPE	1
15	22169-35400	FUEL FILTER SUB-ASSEMBLY	1

Ref. No	Part No.	Part Name	Qty.
16	20000-85500	BREATHER SUB-ASSEMBLY	1
17	20000-85511	*CAP BREATHER	1
18	20000-85521	*HOLDER VALVE	1
19	22100-85240	*RETAINER FUEL	1
20	22100-85250	*WASHER FUEL	1
21	22100-85260	*VALVE FUEL	1
22	20000-85579	GROMMET BREATHER	1
23	20021-86110	BRACKET S	1
24	20011-86120	BRACKET M	1
25	20010-86130	CUSHION	4
26	20010-86140	BAND	2

\* Denotes item is part of an assembly  
 \*\* Denotes item is part of a sub-assembly

## OUTER PIPE SUB-ASSEMBLY

REV 5/05

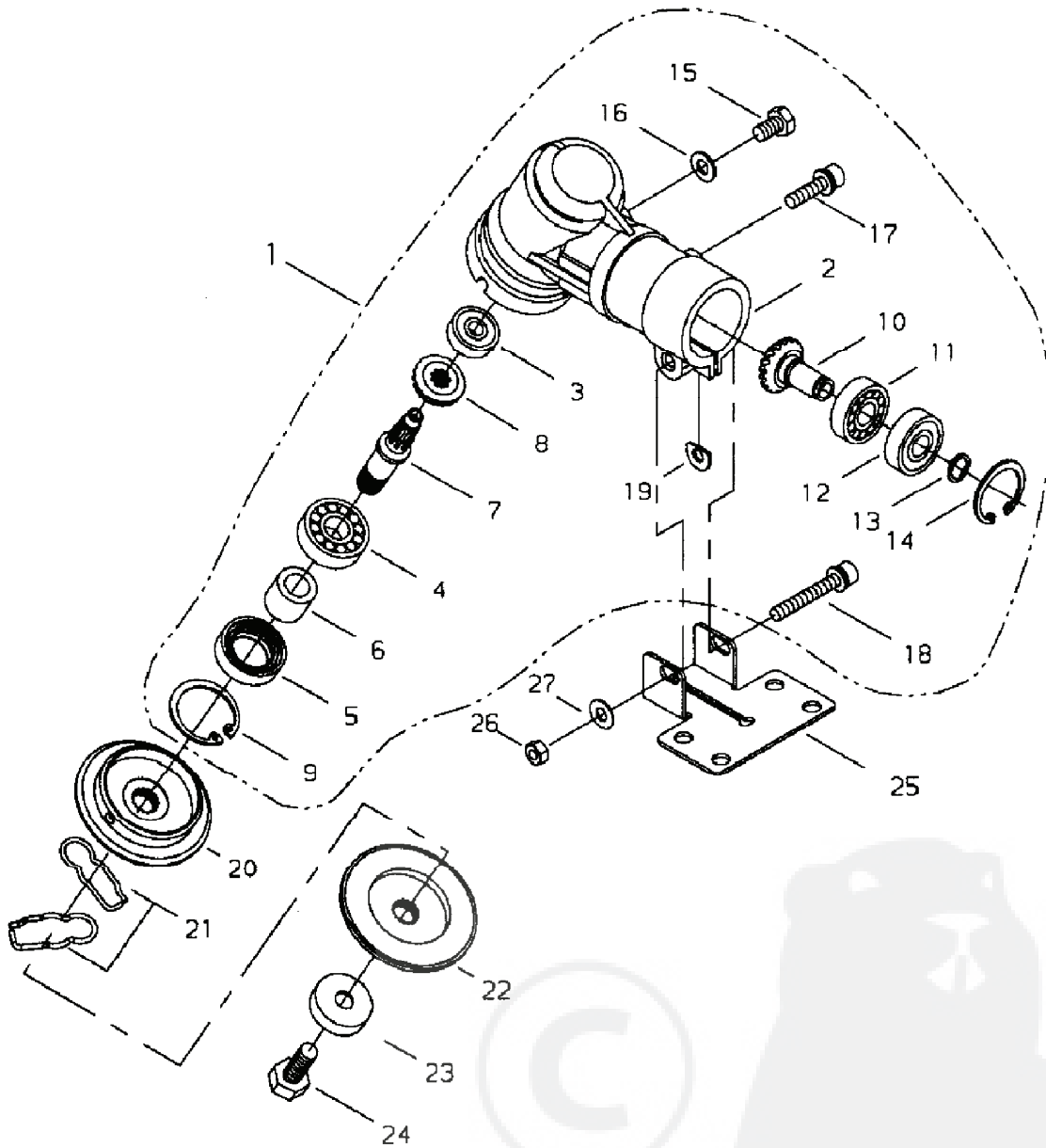


Ref. No	Part No.	Part Name	Qty.
8-1	72551-12101	OUTER PIPE SUB-ASSEMBLY	1
2	22021-12120	*BUSHING	5
12	72017-12150	*HANDLE LABEL	1
13	72005-12140	*CAUTION PLATE	1
3	22017-12210	HANGER	1
4	01020-05120	BOLT	1
5	01600-05131	SPRING WASHER	1
6	01500-05041	NUT	1
7	72550-12400	MAIN SHAFT SUB-ASSEMBLY	1
8	22021-12420	*STOPPER	2
9	19402-00223	LABEL CAUTION	1
10	19422-00010	LABEL CAUTION	1
11	19404-00052	LABEL DECIBEL	1

\* Denotes item is part of an assembly  
 \*\* Denotes item is part of a sub-assembly

GEAR CASE SUB-ASSEMBLY

REV 5/05



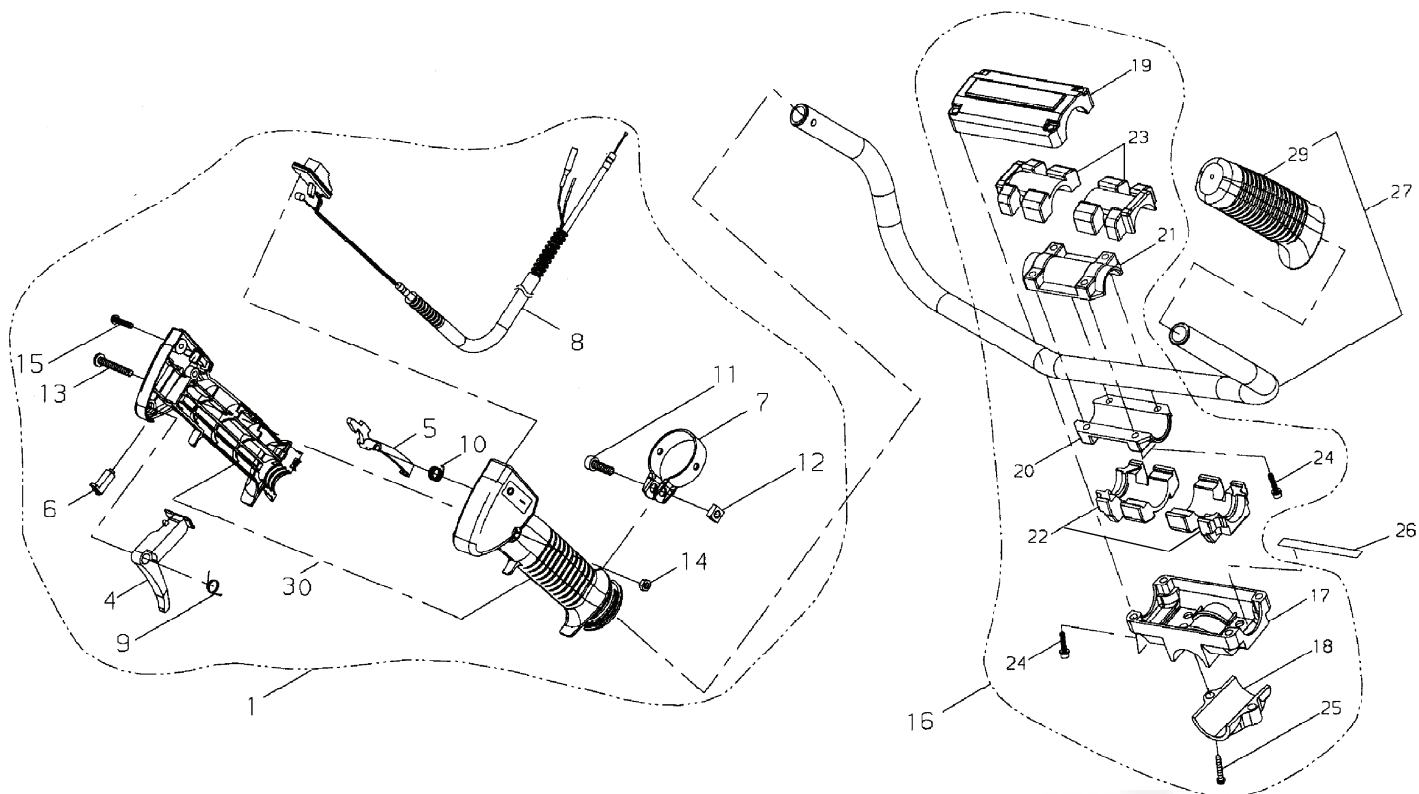
Ref. No	Part No.	Part Name	Qty.
9-1	63020-63020	GEAR CASE SUB-ASSEMBLY	1
2	63020-63110	*GEAR CASE	1
3	02006-06000	*BEARING	1
4	02000-06202	*BEARING	1
5	72447-13121	*OIL SEAL	1
6	22015-13230	*COLLAR	1
7	63019-63130	*GEAR SHAFT	1
8	22015-13220	*BEVEL GEAR	1
9	02432-35150	*SNAP RING	1
10	22021-13390	*PINION SET	1
11	02000-06001	*BEARING	1
12	02002-06001	*BEARING	1
13	20000-31140	*SNAP RING	1

Ref. No	Part No.	Part Name	Qty.
14	02432-28120	*SNAP RING	1
15	22015-13410	*BOLT	1
16	22015-13420	*GASKET	1
17	11022-06140	*BOLT SPW	1
18	11022-06400	*BOLT SPW	1
19	22011-13450	*SHIM	1
20	72447-13240	HOLDER A	1
21	22015-13290	SLIDE PIN	2
22	63020-63171	HOLDER	1
23	22015-13270	BOLT GUARD	1
24	63019-63310	BOLT	1
25	72017-16130	LOWER CLAMP	1
26	01500-06051	NUT	1
27	01613-06100	WASHER	1

\* Denotes item is part of an assembly  
 \*\* Denotes item is part of a sub-assembly

## CYLINDER

REV 5/05



Ref. No	Part No.	Part Name	Qty.
10- 1	72451-14502	THROTTLE LEVER ASSEMBLY	1
30	72451-14600	*BODY SUB-ASSEMBLY	1
4	72451-14530	*LEVER	1
5	72451-14540	*LOCK LEVER	1
6	72451-14550	*BUTTON	1
7	72451-14560	*CLAMP	1
8	72451-14570	*THROTTLE CABLE COMP	1
9	72451-14580	*RETURN SPRING	1
10	72451-14590	*SPRING	1
11	01020-06200	*BOLT	1
12	72451-14610	*NUT	1
13	11203-05351	*SCREW PM	1
14	72451-14630	*NUT	1

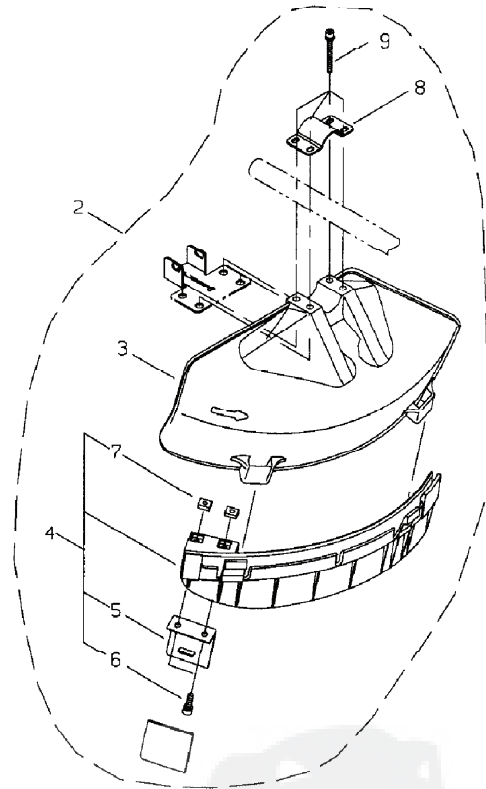
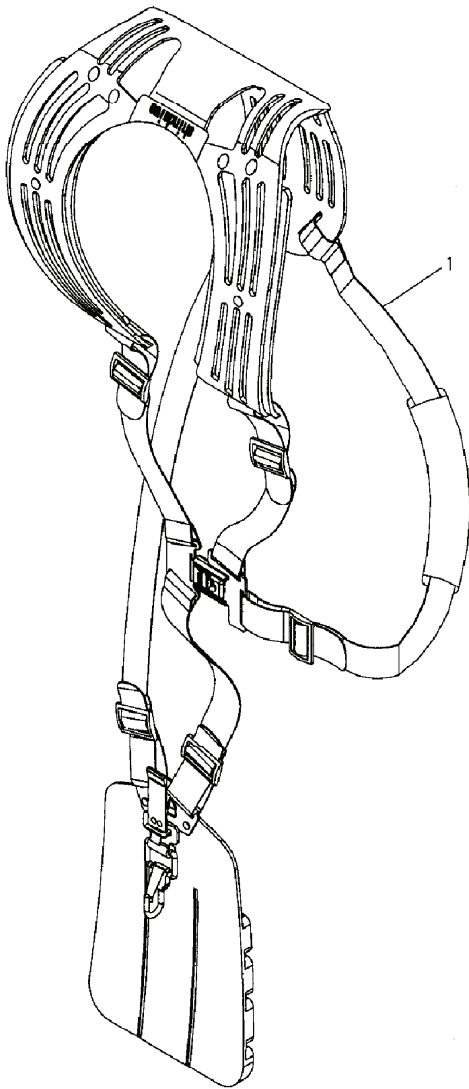
Ref. No	Part No.	Part Name	Qty.
15	72451-14620	*SCREW TAPPING	1
16	72555-14100	BRACKET COMP	1
17	72555-14110	*HANDLE BRACKET	1
18	72555-14120	*LOWER CAP	1
19	72555-14130	*UPPER CAP	1
20	22015-14140	*LOWER CLAMP	1
21	22015-14150	*UPPER CLAMP	1
22	22015-14160	*LOWER CUSHION	2
23	22015-14170	*UPPER CUSHION	2
24	11022-05250	*BOLT SPW	8
25	11210-06250	*SCREW BUTTON	2
26	72514-14190	EARTH CORD	1
27	72540-14201	HANDLE SUB-ASSEMBLY	1
29	72451-14320	*GRIP	1

\* Denotes item is part of an assembly

\*\* Denotes item is part of a sub-assembly

HARNESS ASSEMBLY

REV 5/05

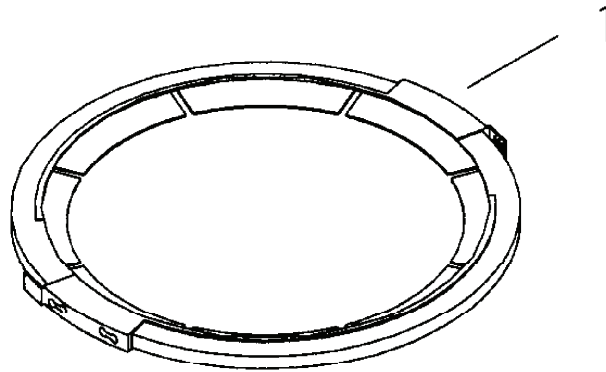


Ref. No	Part No.	Part Name	Qty.
11- 1	72451-17203	HARNESS ASSEMBLY	1
2	64008-66310	GUARD SET	1
3	62903-66110	*GUARD	1
4	62903-66331	*SUB GUARD ASSEMBLY	1
5	72480-16121	**CUTTER	1
6	11020-05160	**BOLT SW	2
7	22420-16120	**NUT	2
8	72480-16210	*UPPER CLAMP	1
9	11022-05450	*BOLT SPW	4

\* Denotes item is part of an assembly  
 \*\* Denotes item is part of a sub-assembly

## BLADE COVER

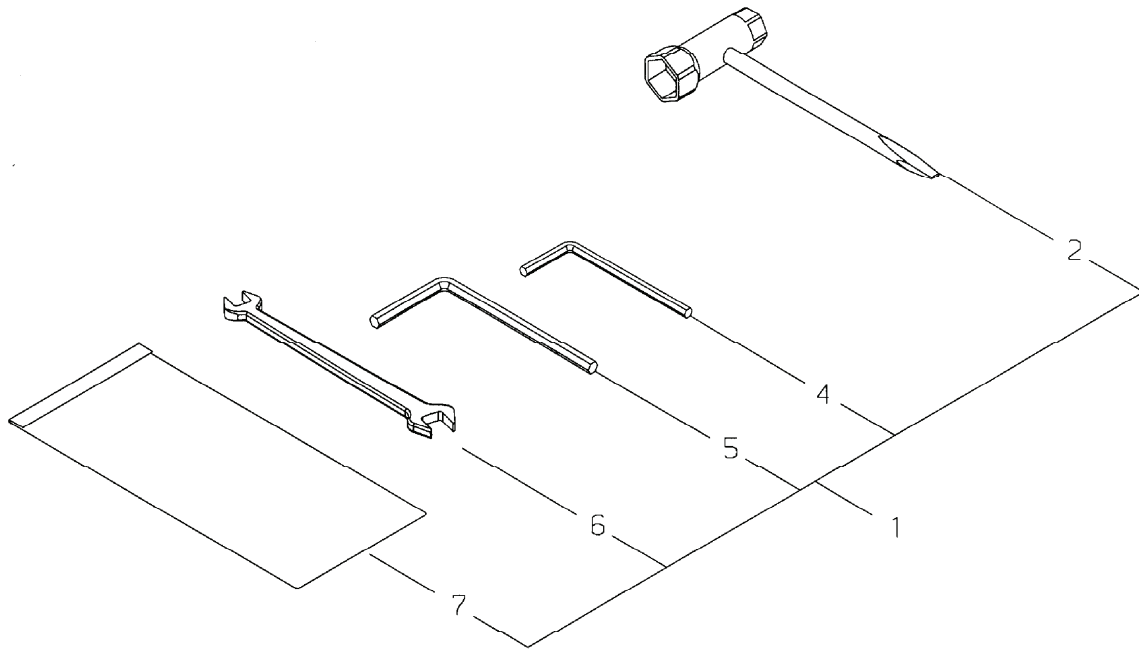
REV 5/05



Ref. No	Part No.	Part Name	Qty.
13- 1	22550-92310	BLADE COVER	1

\* Denotes item is part of an assembly  
\*\* Denotes item is part of a sub-assembly





Ref. No	Part No.	Part Name	Qty.
12- 1	72547-91100	TOOL SET	1
2	72518-91180	*WRENCH 17 x 19	1
4	09026-04001	*HEXA WRENCH 5MM	1
5	09026-05001	*HEXA WRENCH 6MM	1
6	22000-91120	*SPANNER	1
7	19639-01700	*TOOL BAG	1

\* Denotes item is part of an assembly  
 \*\* Denotes item is part of a sub-assembly