

# shindaiwa

## PARTS PRICE LIST

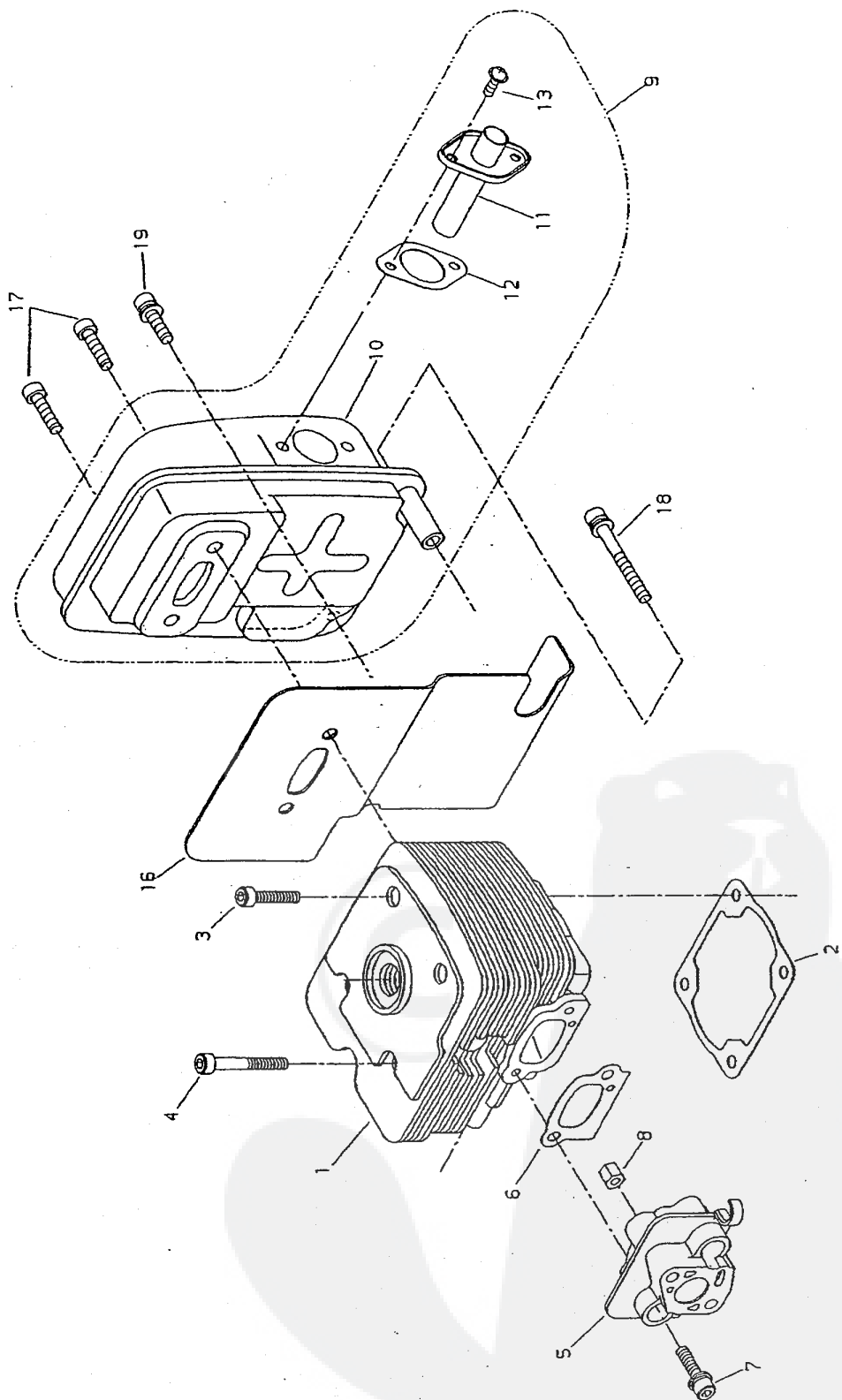
B530

*SHIN-DAIWA KOGYO CO., LTD.*

6-2-11, Otsuka-Nishi, Asaminami-ku, Hiroshima, 731-3167, Japan

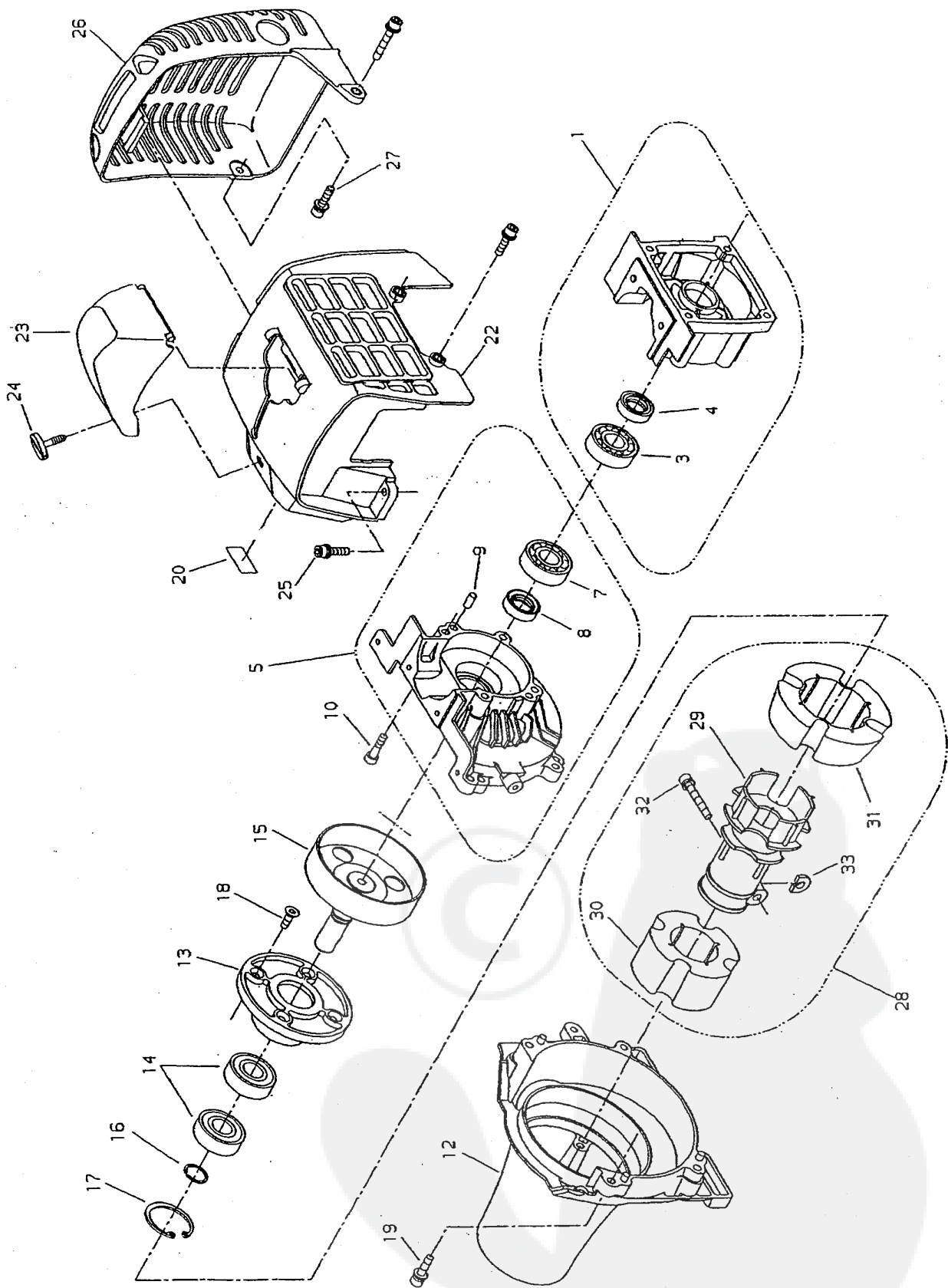
Telephone (082) 849-2005 Fax (082) 849-2481

B530/CE  
MAY. 30, 2001  
Printed in Japan



PRICE: (¥)

Ref. No	Part No.	Part Name	Q'ty	Unit Price	Remarks, Serial No
1-	1 62035-12110	CYLINDER	1	10,000	
	2 62035-12120	GASKET CYLINDER	1	120	
	3 01020-05250	BOLT	3	40	
	4 01020-05350	BOLT	1	40	
	5 62035-12210	INSULATOR	1	1,800	
	6 62035-12220	GASKET	1	50	
	7 11022-05300	BOLT SW	2	30	
	8 20024-12260	NUT	2	30	
	9 62035-15011	MUFFLER ASSY	1	5,000	
	10 62035-15110	• MUFFLER	1	4,400	
	11 62035-15140	• TAIL PIPE	1	400	
	12 62035-15150	• GASKET	1	70	
	13 11207-04120	• SCREW PM SLPW	2	20	
	16 62035-15210	GASKET MUFFLER	1	600	
	17 01020-06250	BOLT	2	50	
	18 11022-05450	BOLT SPW	1	80	
	19 11022-05160	BOLT SPW	1	50	

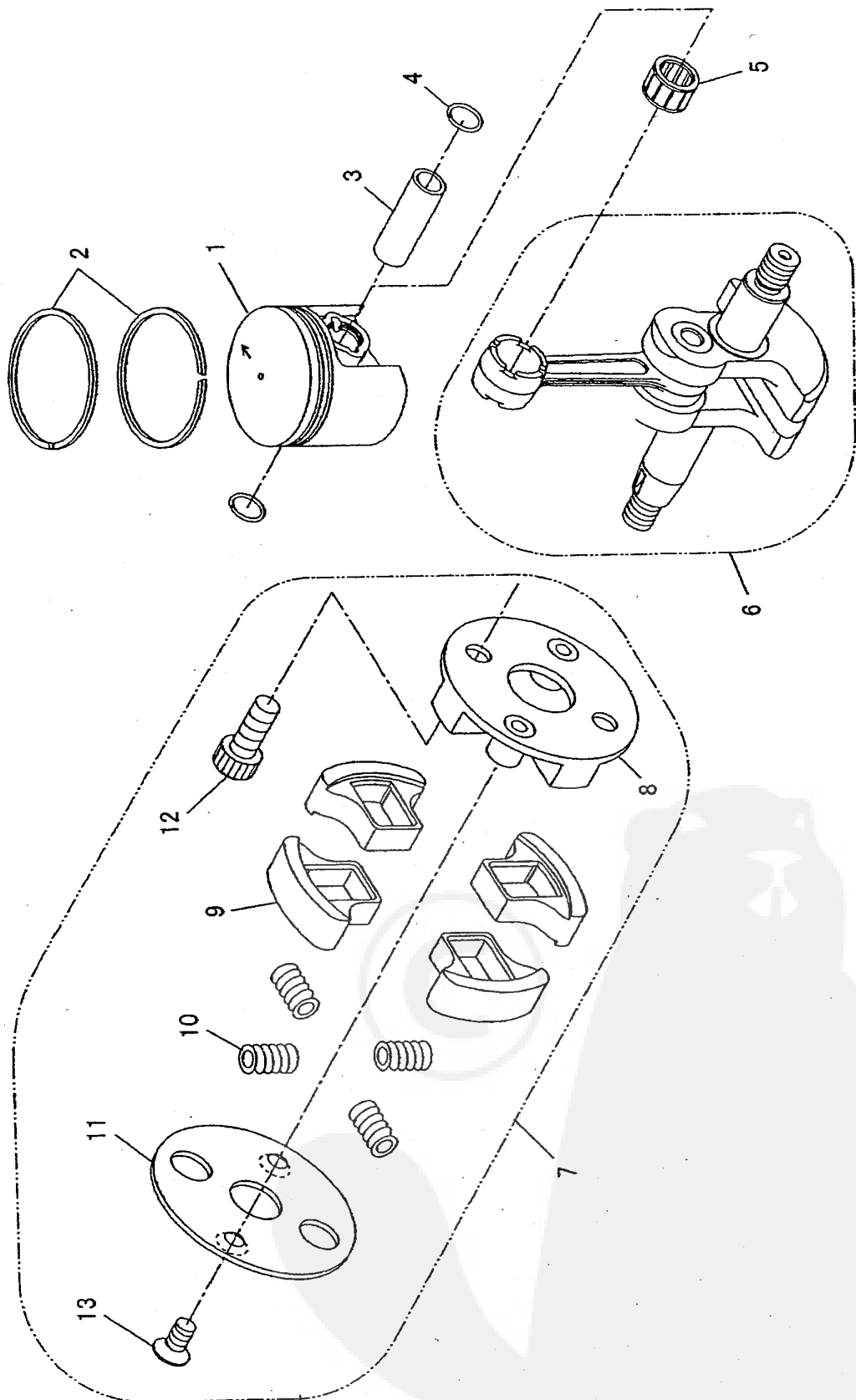


PRICE : (¥)

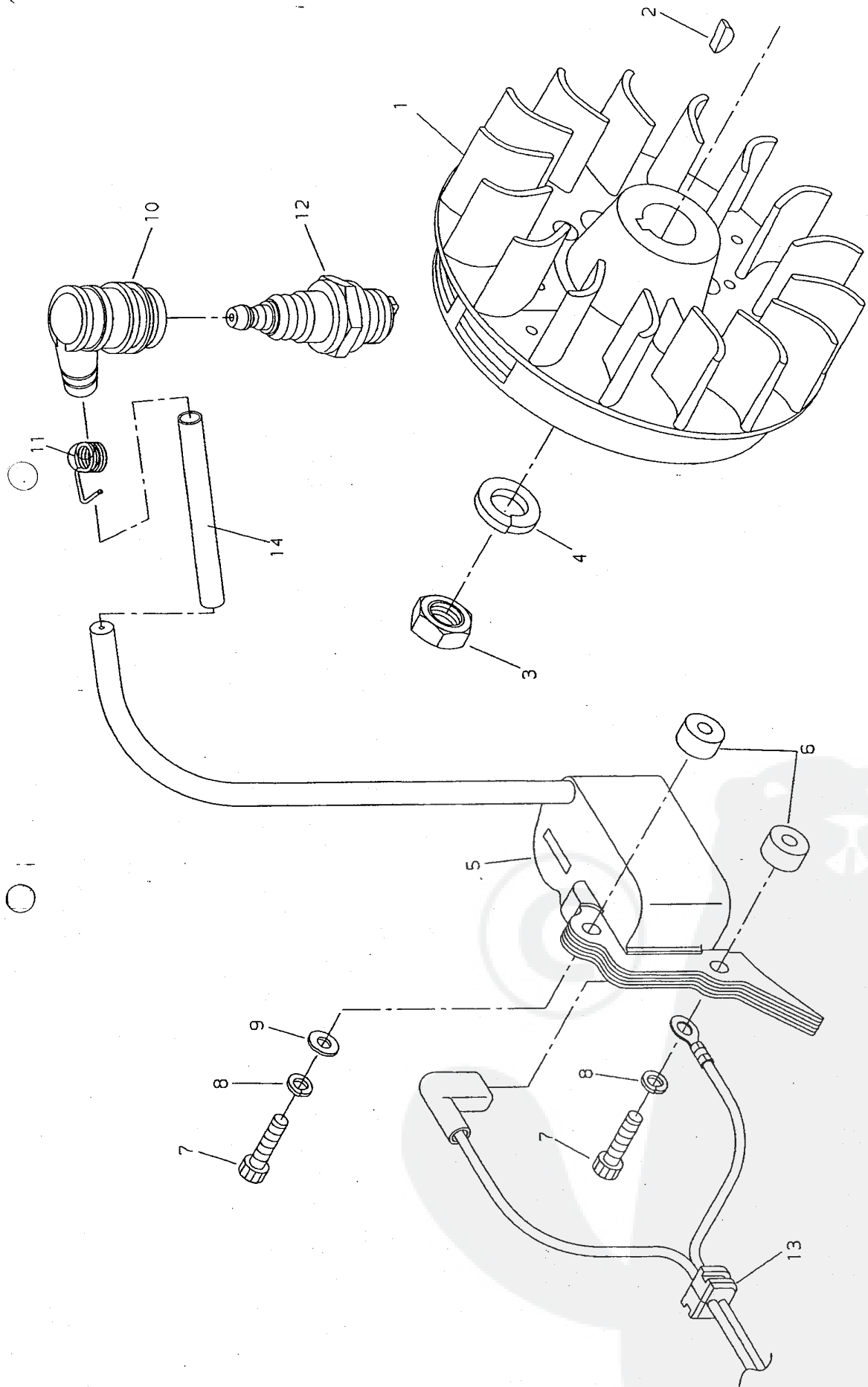
Ref. No	Part No.	Part Name	Qty	Unit Price	Remarks, Serial No
2- 1	62035-21010	CRANK CASE S COMP	1	4,600	
3	02030-06202	• BEARING	1	320	
4	20010-21211	• OIL SEAL	1	300	
5	62035-21020	CRANK CASE M COMP	1	5,600	
7	02030-06202	• BEARING	1	320	
8	20010-21211	• OIL SEAL	1	300	
9	12492-50100	• ROLLER	2	200	
10	01020-05300	BOLT	4	40	
12	62035-31110	FAN COVER	1	4,000	
13	62035-31310	CLUTCH CASE	1	900	
14	02006-06202	BEARING	2	480	
15	62035-31211	CLUTCH DRUM	1	2,700	
16	20011-31230	SNAP RING	1	40	
17	02432-35150	SNAP RING	1	40	
18	11260-05161	SCREW ADHEISIVE	4	30	
19	11022-05300	BOLT SW	4	30	
20	62035-91020	LABEL TRADE	1	110	
22	62035-32112	CYLINDER COVER	1	1,700	
23	62035-32310	PLUG COVER	1	350	
24	62035-32320	KNOB	1	350	
25	11022-05160	BOLT SPW	2	50	
26	62036-32310	MUFFLER COVER	1	1,100	
27	11022-05160	BOLT SPW	1	50	
28	62035-33010	JOINT ASSY	1	2,700	
29	62035-33110	• JOINT	1	2,000	
30	62035-33120	• FRONT CUSION	1	350	
31	62035-33130	• REAR CUSION	1	350	
32	11022-06280	BOLT SPW	1	80	
33	20024-31460	SHIM	1	30	

PARTS LIST  
SHINDAIWA  
(LI38 LIA0380P)

B530/CE





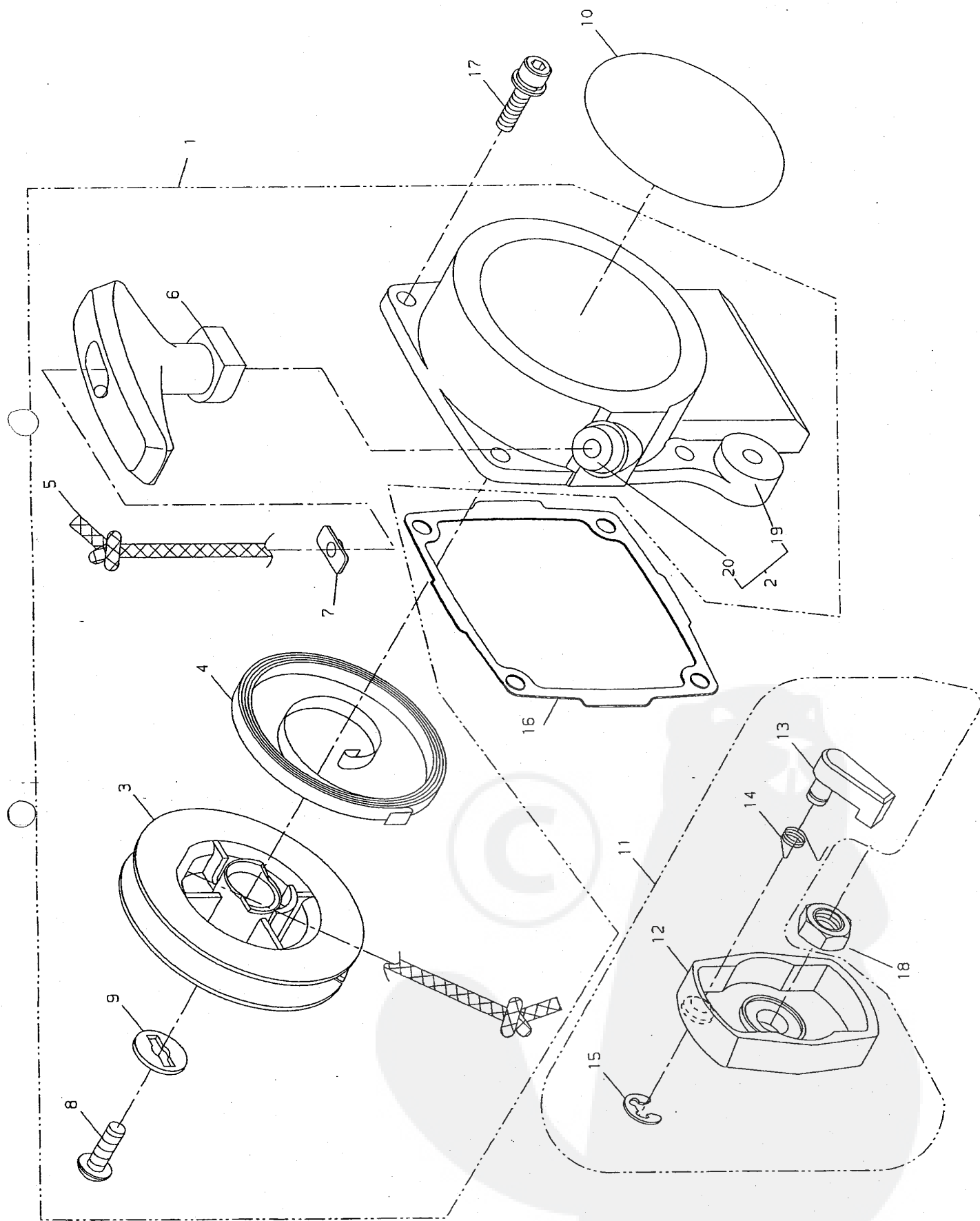


01



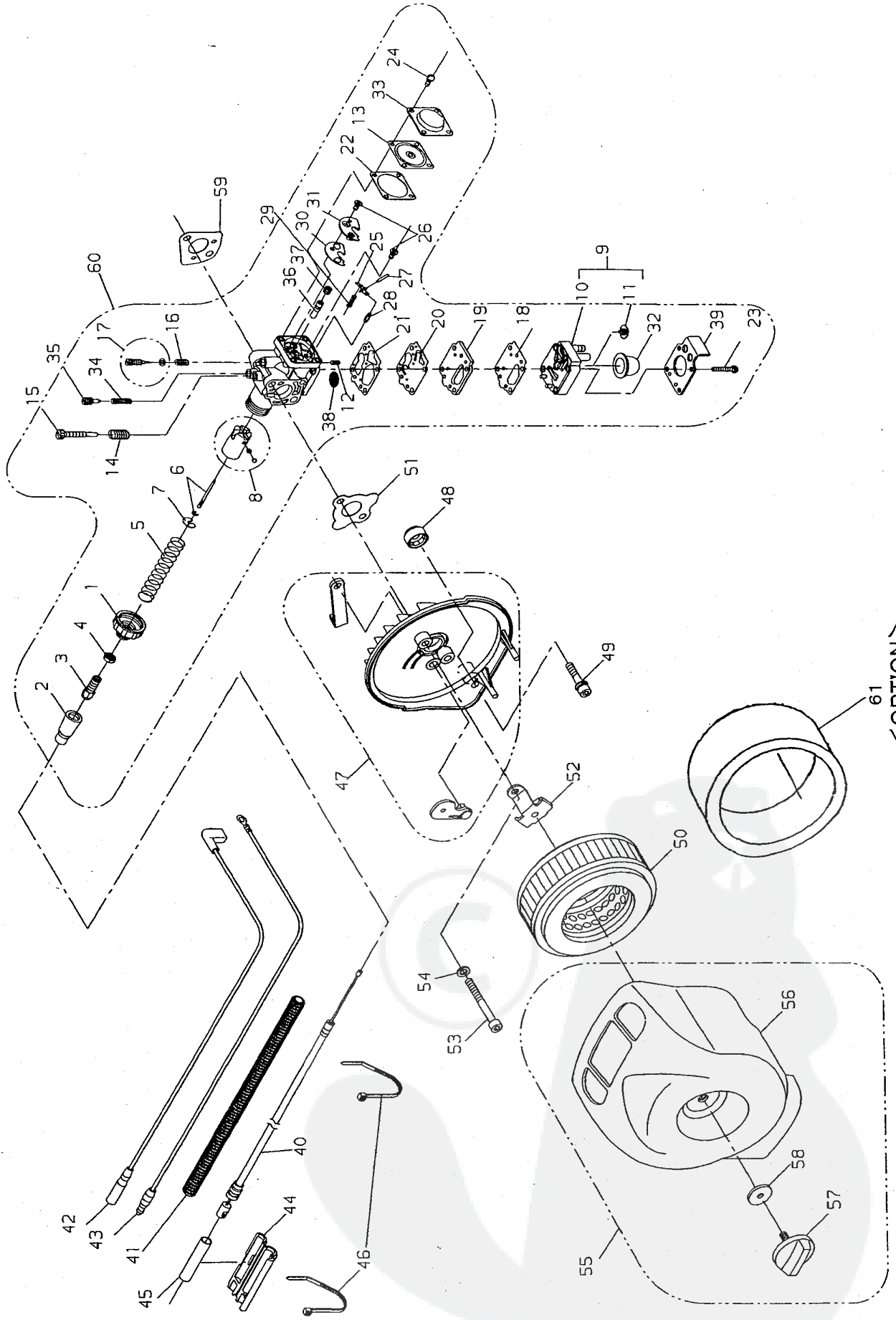
PRICE: (¥)

Ref. No	Part No.	Part Name	Q'ty	Unit Price	Remarks, Serial No
4- 1	62035-71110	ROTOR	1	5,500	
2	02403-03100	KEY	1	60	
3	01511-10061	NUT	1	30	
4	01600-10251	SPRING WASHER	1	20	
5	62035-71020	COIL ASSY	1	8,500	
6	70030-71620	INSULATOR	2	90	
7	01020-04240	BOLT	2	30	
8	01600-04101	SPRING WASHER	2	10	
9	20010-71650	WASHER	1	10	
10	22160-72220	PLUG CAP	1	330	
11	22154-72230	SPRING PLUG	1	60	
12	13000-13406	SPARK PLUG BMR6A	1	500	
13	62035-71320	GROMMET	1	70	
14	22155-72280	PIPE CORD B	1	30	



PRICE : (¥)

Ref. No	Part No.	Part Name	Q'ty	Unit Price	Remarks, Serial No
5-	1	62035-75010 RECOIL STARTER ASSY	1	4,600	
	2	62035-75110 · RECOIL CASE	1	1,280	
	19	62035-75320 · · RECOIL CASE	1	1,000	
	20	62035-75310 · · GUIDE	1	300	
	3	62035-75120 · REEL	1	810	
	4	62035-75130 · RECOIL SPRING	1	660	
	5	62035-75140 · ROPE	1	330	
	6	22104-75420 · KNOB RECOIL	1	440	
	7	20010-75210 · STOPPER	1	110	
	8	20035-75170 · SCREW	1	40	
	9	20024-75140 · WASHER	1	60	
	10	19420-00027 LABEL TRADE	1	250	
	11	62035-75020 STARTER PULLY ASSY	1	850	
	12	62035-75210 · STARTER PULLY	1	550	
	13	62035-75220 · RACHET	1	120	
	14	20024-75230 · RETURN SPRING	1	190	
	15	20024-75240 · E RING	1	30	
	16	62035-75331 GASKET	1	110	
	17	11022-05250 BOLT SPW	4	50	
	18	62035-75340 NUT	1	30	



<OPTION>

PRICE: (¥)

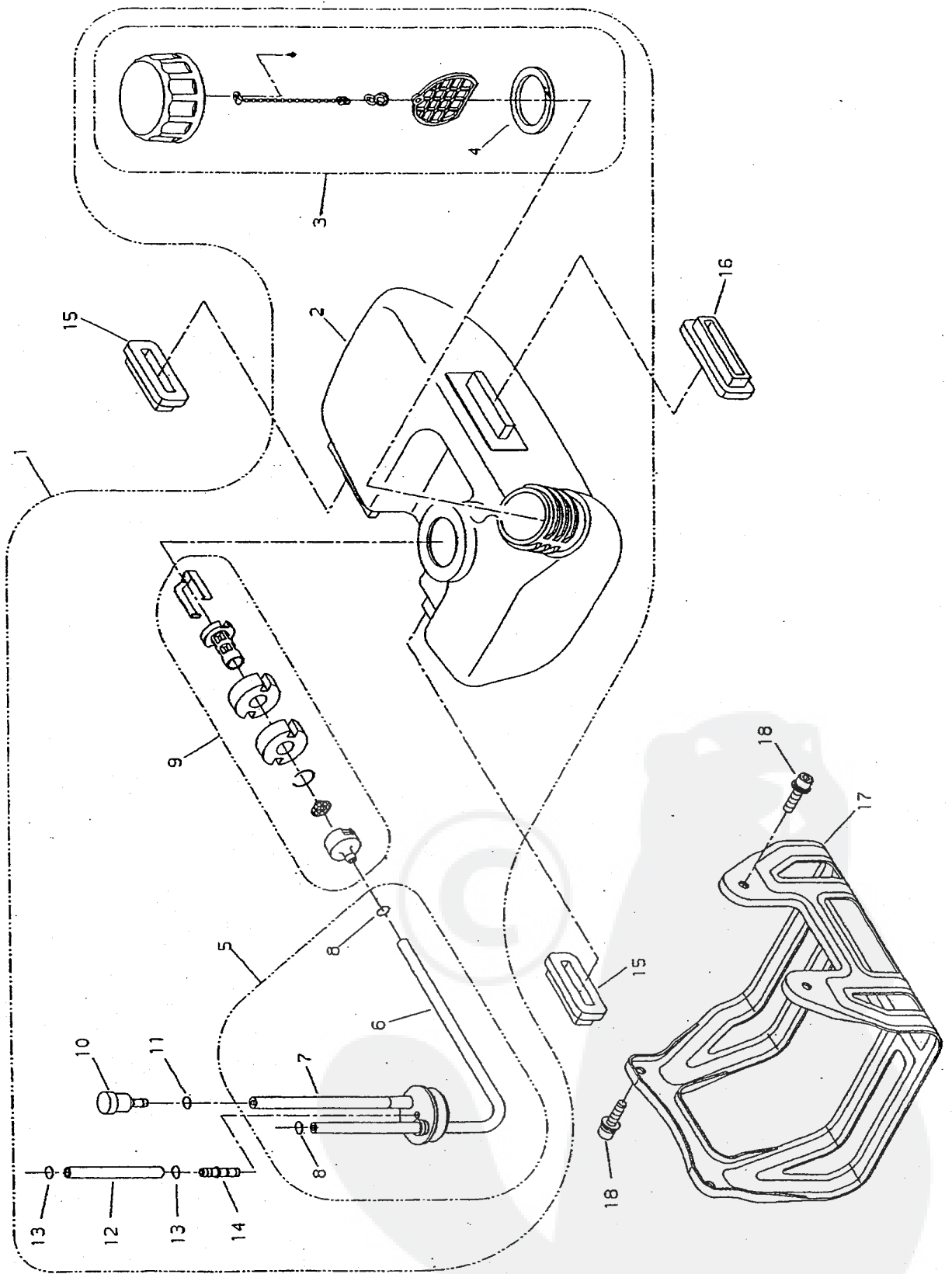
Ref. No	Part No.	Part Name	Qty	Unit Price	Remarks, Serial No
6-60	62035-81011	CARBURETOR ASSY	1	8,500	
1	72921-81120	• BODY CAP	1	450	
2	72920-81130	• ADJUSTER CAP	1	160	
3	20020-81110	• CABLE ADJUSTER	1	450	
4	20000-81260	• LOCK NUT	1	70	
5	20020-81140	• SPRING	1	120	
6	62035-81431	• JET NEEDLE	1	600	
7	20020-81150	• SPRING RECIEVE	1	60	
8	62035-81330	• THROTTLE VALVE	1	1,000	
9	62035-81340	• PUMP COVER ASSY	1	1,550	
10	62035-81350	• PUMP COVER	1	1,500	
11	68501-81340	• VALVE	1	50	
12	62035-81360	• SPRING	1	150	
13	62035-81410	• DIAPHRAGM	1	1,350	
14	72920-81820	• SPRING	1	50	
15	20000-81310	• SLOW STOP SCREW	1	170	
16	20011-81360	• SPRING	1	50	
17	20070-81350	• MAIN ADJUST SCREW	1	710	
18	20019-81660	• GASKET	1	110	
19	20019-81610	• PUMP PLATE	1	180	
20	20019-81620	• DIAPHRAGM PUMP	1	420	
21	20019-81630	• GASKET	1	110	
22	62035-81370	• GASKET	1	160	
23	62035-81380	• SCREW	4	40	
24	20000-81540	• SCREW	4	30	
25	20011-81451	• LEVER	1	210	
26	20011-81470	• SCREW	2	40	
27	20011-81460	• PIN	1	120	
28	20019-81440	• NEEDLE VALVE	1	610	
29	20040-81430	• SPRING	1	140	
30	70210-81440	• PACKING	1	190	
31	70210-81451	• PLATE	1	280	
32	20087-81820	• PUMP	1	250	
33	20019-81670	• COVER DIAPHRAGM	1	430	
34	20000-81340	• SPRING	1	50	
35	20000-81330	• SLOW AIR SCREW	1	280	
36	62035-81420	• NEEDLE JET	1	1,100	
37	70210-81420	• HOLDER	1	1,410	

PARTS LIST  
SHINDAIWA  
(L138 LIA0380P)

B530/CE

PRICE: (¥)

Ref. No	Part No.	Part Name	Qty	Unit Price	Remarks, Serial No
6- 38	68501-81480	• SCREEN	1	110	
39	62035-81390	PUMP PLATE	1	160	
40	62035-83111	THROTTLE CABLE	1	550	
41	62035-83311	TUBE	1	50	
42	14352-13100	LEAD WIRE	1	150	
43	14350-13000	LEAD WIRE	1	80	
44	72550-82120	CONNECTOR	1	350	
45	20037-82130	SLEEVE	1	50	
46	15210-12303	BAND	2	30	
47	62035-82011	CLEANER BODY COMP	1	1,500	
48	62035-82362	INSULATOR	1	550	
49	11022-05400	BOLT SW	1	80	
50	62035-82121	FILTER	1	1,800	
51	62035-82330	GASKET	1	20	
52	62035-82340	BACK PLATE	1	300	
53	11020-05750	BOLT SW	2	50	
54	01600-05131	SPRING WASHER	2	10	
55	62036-82040	CLEANER COVER COMP	1	1,000	
56	62036-82130	• CLEANER COVER	1	600	
57	20870-33120	• KNOB	1	400	
58	62035-82350	• WASHER	1	20	
59	62035-81310	GASKET	1	40	
61	60035-98070	PRE FILTER	1	250	



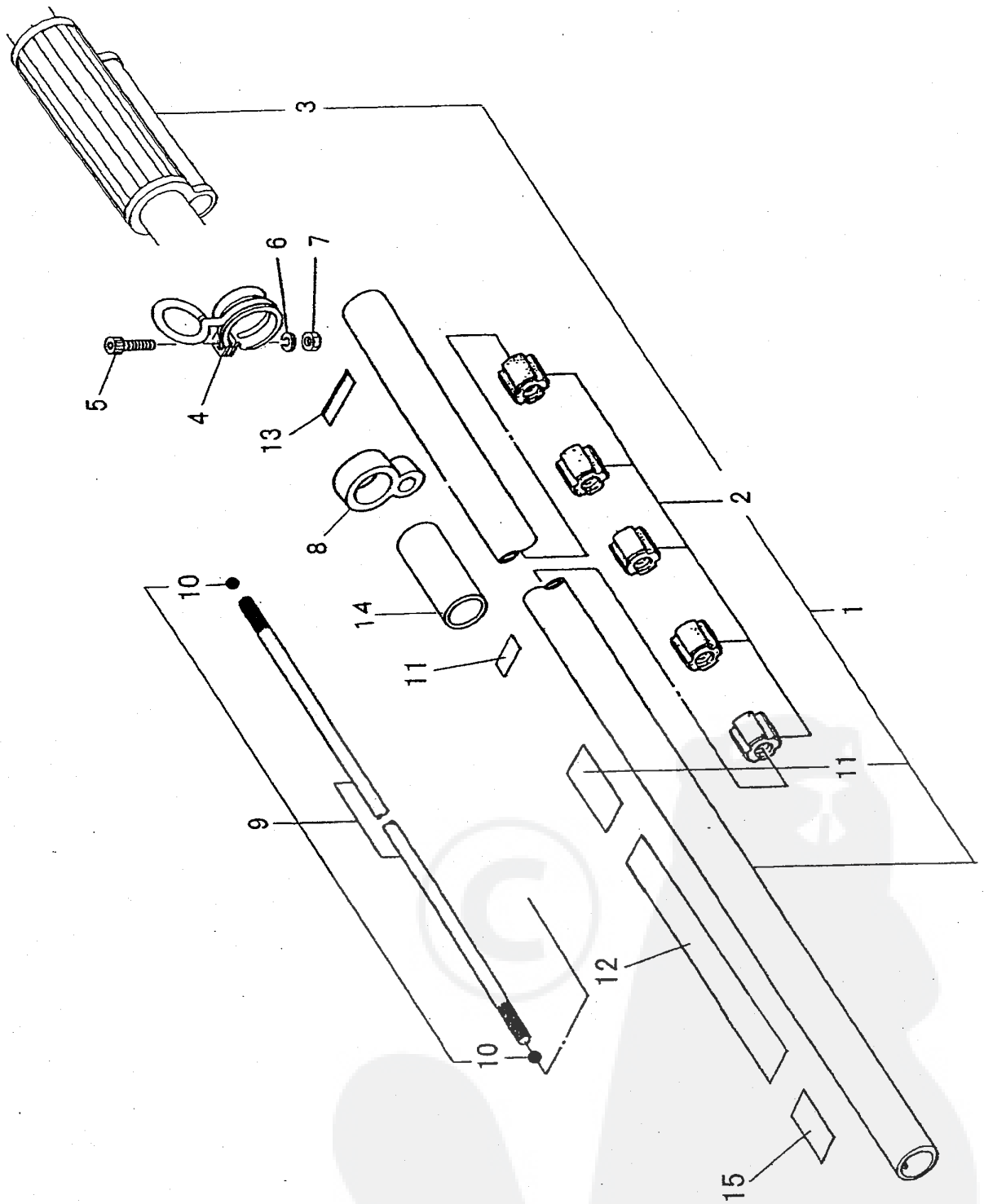
PRICE: (¥)

Ref. No	Part No.	Part Name	Qty	Unit Price	Remarks, Serial No
7- 1	62035-85011	FUEL TANK ASSY	1	5,000	
2	62035-85110	• FUEL TANK	1	1,600	
3	70168-85201	• FUEL CAP ASSY	1	210	
4	20000-85221	• GASKET	1	60	
5	62035-85030	• FUEL PIPE ASSY	1	650	
6	62035-85310	• FUEL PIPE	1	120	
7	62035-85320	• GROMMET	1	300	
8	20020-85540	• CLIP	2	30	
9	22169-35400	• FUEL FILTER SUB ASSY	1	1,530	
10	22197-33960	• VALVE	1	600	
11	20020-85540	• CLIP	1	30	
12	20140-83311	• PIPE	1	150	
13	20020-85540	• CLIP	2	30	
14	72933-85620	• JOINT	1	200	
15	62035-85340	TANK CUSHION	2	70	
16	62035-85350	TANK CUSHION	1	80	
17	62035-85360	TANK GUARD	1	2,500	
18	11022-05160	BOLT SPW	4	50	

PARTS LIST  
 SHINDAIWA  
 (L138 LIA0380P)

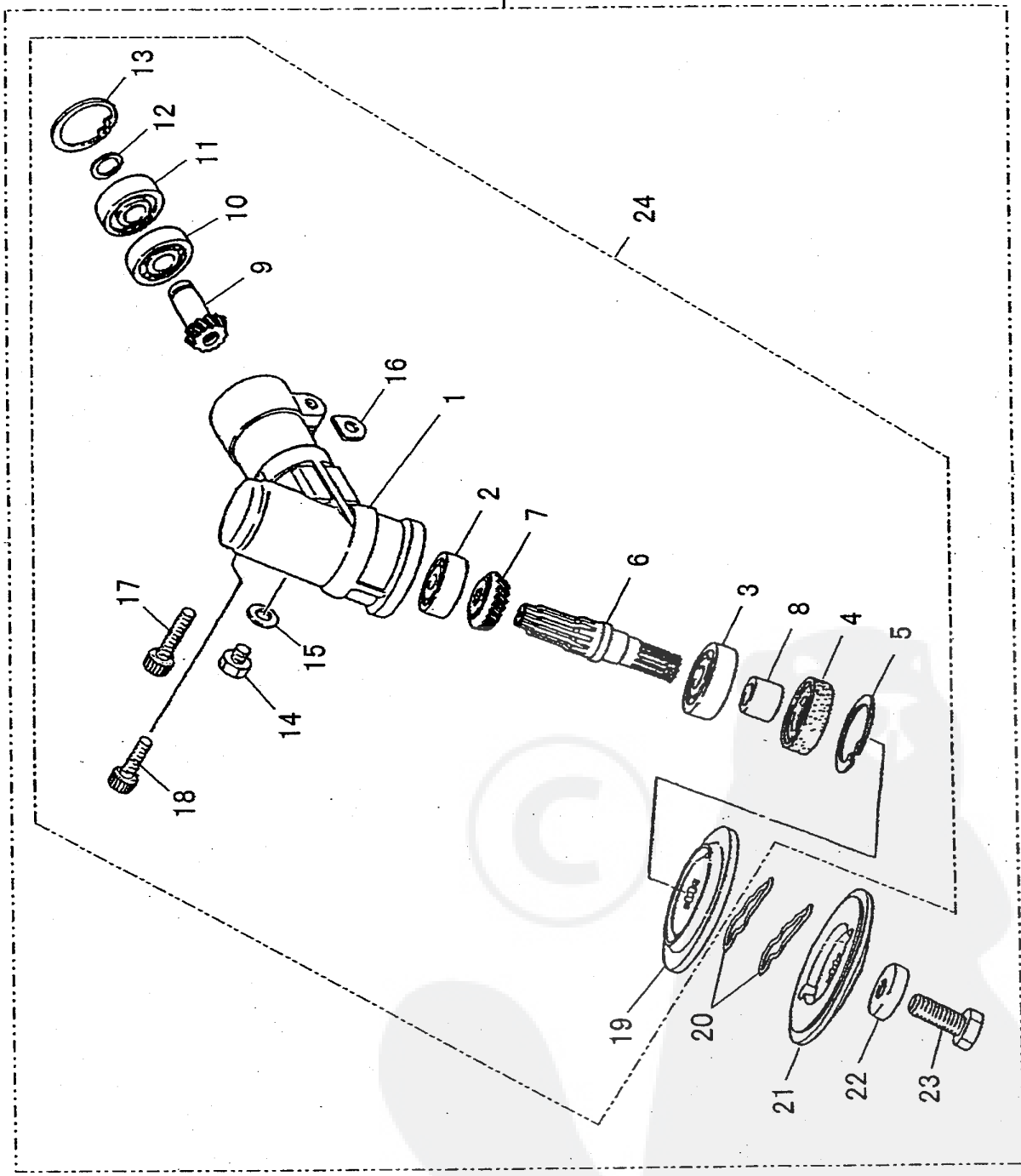
B530/CE





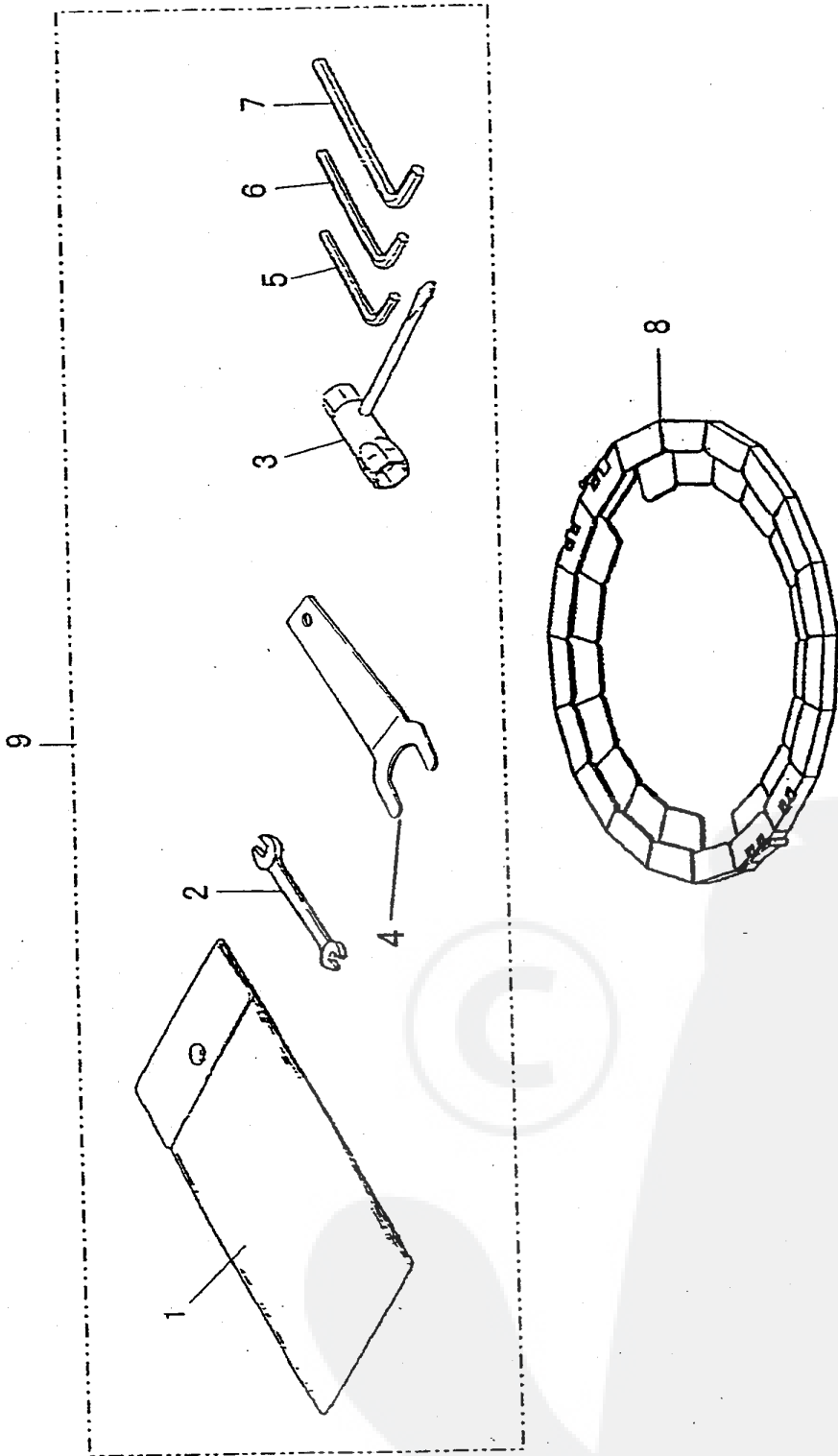
PRICE: (¥)

Ref. No	Part No.	Part Name	Q'ty	Unit Price	Remarks, Serial No
8-	1 63019-12102	OUTER PIPE SUB ASSY	1	9,800	
	2 63019-62120	• BUSHING	5	490	
	3 63019-62313	• PROTECTOR	1	420	
	11 72017-12150	• HANDLE LABEL	1	50	
	4 22017-12210	HANGER	1	740	
	5 01020-05120	BOLT	1	30	
	6 01600-05130	SPRING WASHER	1	10	
	7 01500-05041	NUT	1	10	
	8 72447-12190	BAND	1	130	
	9 72550-12400	MAIN SHAFT SUB ASSY	1	4,550	
	10 22021-12420	• STOPPER	2	40	
	12 19422-00010	LABEL CAUTION	1	800	
	13 72005-12140	CAUTION PLATE	1	100	
	14 63019-62320	PROTECTOR	1	300	
	15 19402-00084	LABEL CAUTION	1	100	



PRICE: (¥)

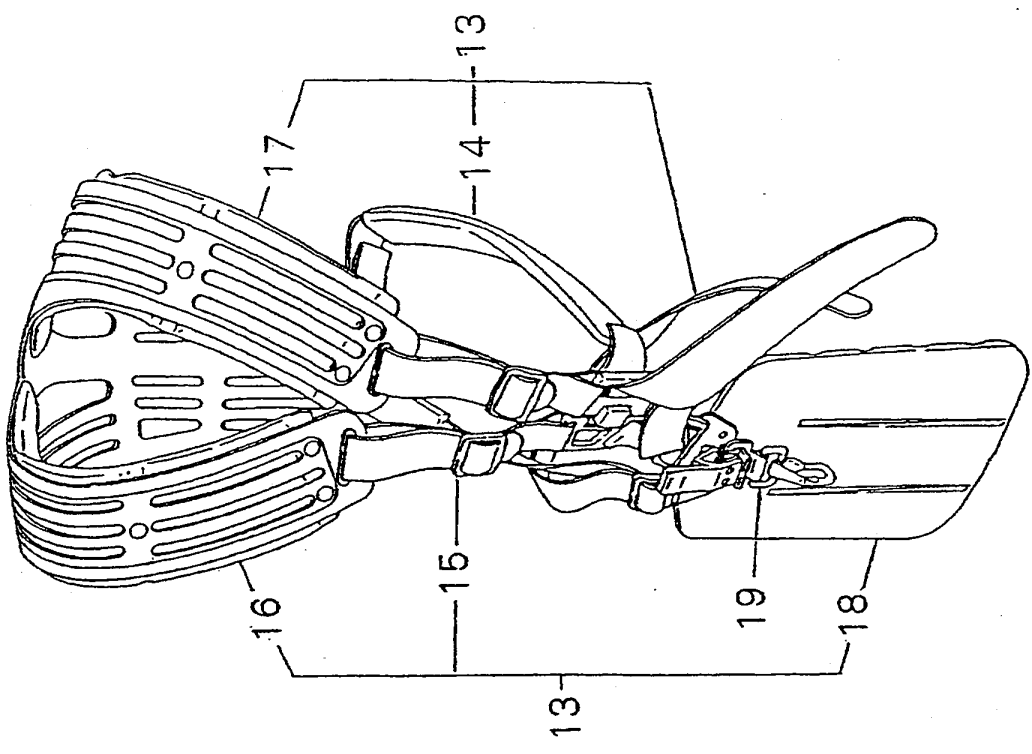
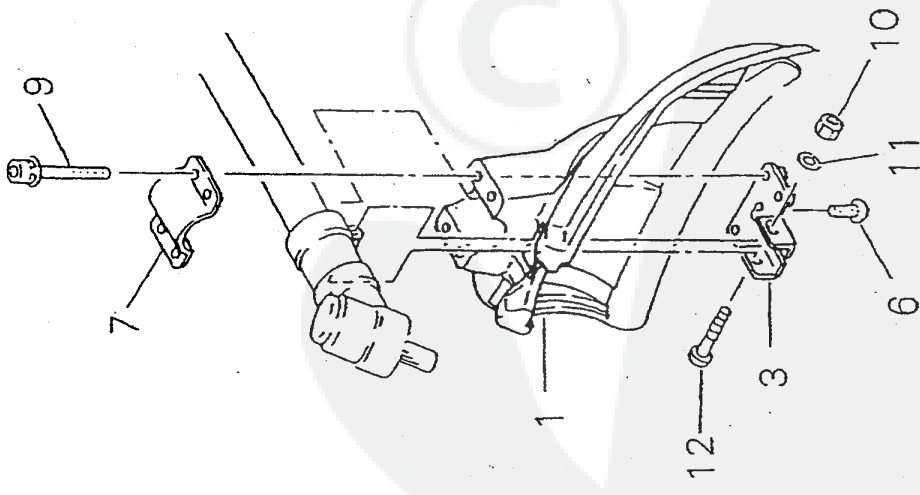
Ref. No	Part No.	Part Name	Q'ty	Unit Price	Remarks, Serial No
9- 25	63020-63010	GEAR CASE ASSY	1	19,500	
24	63019-63020	* GEAR CASE SUB ASSY	1	18,000	
1	72017-13111	** GEAR CASE	1	4,050	
2	02006-06000	** BEARING	1	480	
3	02000-06202	** BEARING	1	320	
4	22015-13120	** OIL SEAL	1	330	
5	02432-35150	** SNAP RING	1	40	
6	63019-63130	** GEAR SHAFT	1	5,000	
7	22015-13220	** BEVEL GEAR	1	2,230	
8	22015-13230	** COLLAR	1	280	
9	22021-13390	** PINION SET	1	2,850	
10	02000-06001	** BEARING	1	360	
11	02002-06001	** BEARING	1	470	
12	20000-31140	** SNAP RING	1	40	
13	02432-28120	** SNAP RING	1	40	
14	22015-13410	** BOLT	1	60	
15	22015-13420	** GASKET	1	30	
16	22011-13450	** SHIM	1	20	
17	11022-06280	** BOLT SPW	1	80	
18	11022-06140	** BOLT SPW	1	70	
19	22015-13241	** HOLDER A	1	1,770	
20	22015-13290	* SLIDE PIN	2	130	
21	63020-63170	* HOLDER	1	1,000	
22	22015-13270	* BOLT GUARD	1	320	
23	63019-63310	* BOLT	1	100	





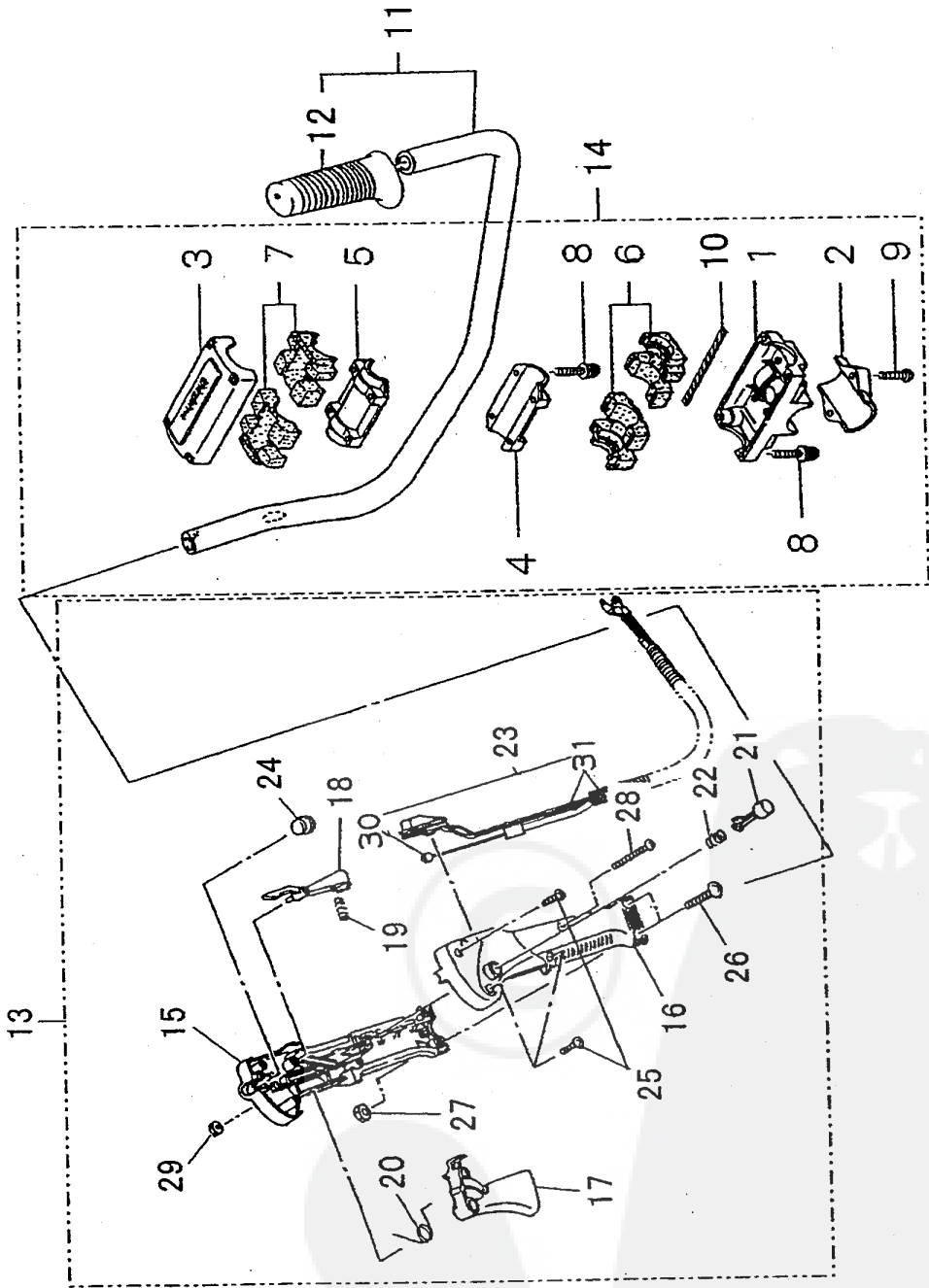
01

0







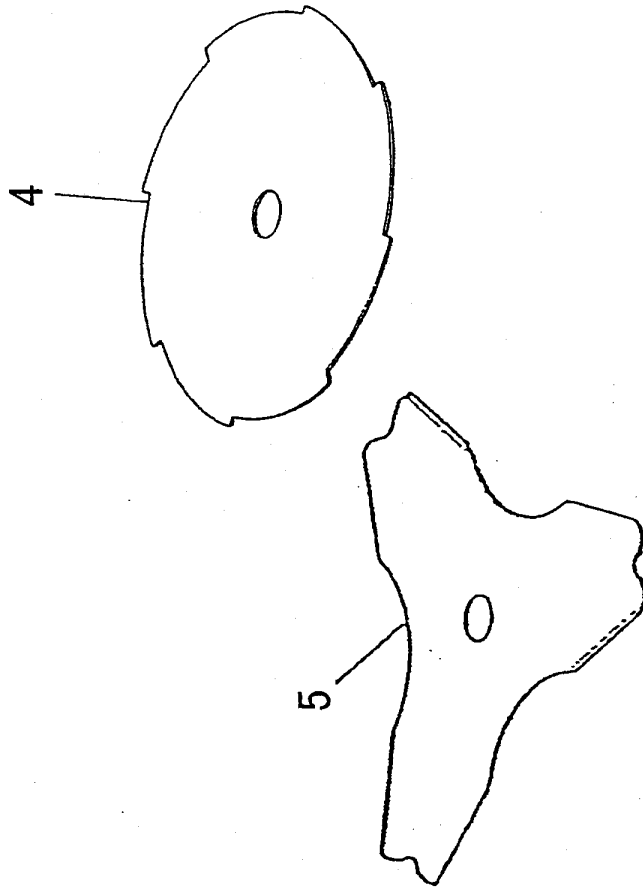
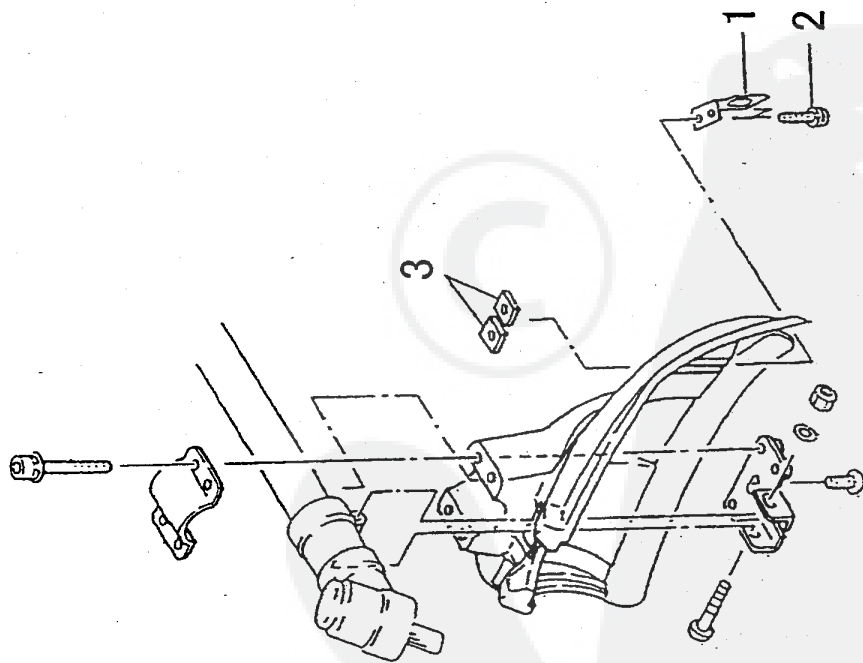


PRICE: (¥)

Ref. No	Part No.	Part Name	Qty	Unit Price	Remarks, Serial No
12- 14	72514-14100	BRACKET SUB ASSY	1	4,950	
1	72017-14110	• HANDLE BRACKET	1	960	
2	72017-14120	• LOWER CAP	1	530	
3	72017-14130	• UPPER CAP	1	860	
4	22015-14140	• LOWER CLAMP	1	540	
5	22015-14150	• UPPER CLAMP	1	750	
6	22015-14160	• LOWER CUSHION	2	190	
7	22015-14170	• UPPER CUSHION	2	200	
8	11022-05250	• BOLT SPW	8	50	
9	11210-06250	• SCREW BUTTON	2	50	
10	72514-14190	• EARTH CORD	1	50	
11	72550-14200	HANDLE SUB ASSY	1	6,800	
12	72451-14320	• GRIP	1	1,370	
13	64007-64251	THROTTLE LEVER ASSY	1	4,500	
15	72550-14510	• BODY RIGHT	1	1,200	
16	72550-14520	• BODY LEFT	1	1,200	
17	70871-65130	• LEVER	1	180	
18	70871-65140	• LOCK LEVER	1	110	
19	70871-65150	• COIL SPRING	1	20	
20	70871-65160	• COIL SPRING	1	30	
21	70871-65170	• BUTTON	1	90	
22	70871-65180	• COIL SPRING	1	20	
23	64007-64310	• THROTTLE CABLE	1	3,200	
30	64007-64320	• THROTTLE CABLE	1	1,200	
31	64007-64330	• SWITCH	1	2,000	
24	22150-33630	• PLUG	1	100	
25	70871-65310	• SCREW TAPPING	3	30	
26	70871-65320	• SCREW PM	2	30	
27	01501-05030	• NUT	2	20	
28	70871-65330	• SCREW	1	30	
29	70871-65340	• NUT	1	30	

PARTS LIST  
SHINDAIWA  
(LI38 LIA0380P)

B530/CE



<OPTION>

