

# Shindaiwa Illustrated Parts List

## B530 CE Brushcutter

---

CYLINDER / MUFFLER .....	2
CRANKCASE / FAN COVER / CLUTCH CASE .....	3
PISTON / CRANKSHAFT / CLUTCH SHOE .....	4
ROTOR / COIL ASSEMBLY .....	5
CARBURETOR / CLEANER .....	6 - 7
RECOIL STARTER / STARTER PULLEY .....	8
FUEL TANK .....	9
OUTER PIPE / MAINSHAFT .....	10
GEARCASE .....	11
GUARD / HARNESS .....	12
THROTTLE LEVER / HANDLE .....	13
CUTTER / SAWS .....	14
TOOL SET / BLADE COVER .....	15

[www.shindaiwa.com](http://www.shindaiwa.com)

11975 SW Herman Road

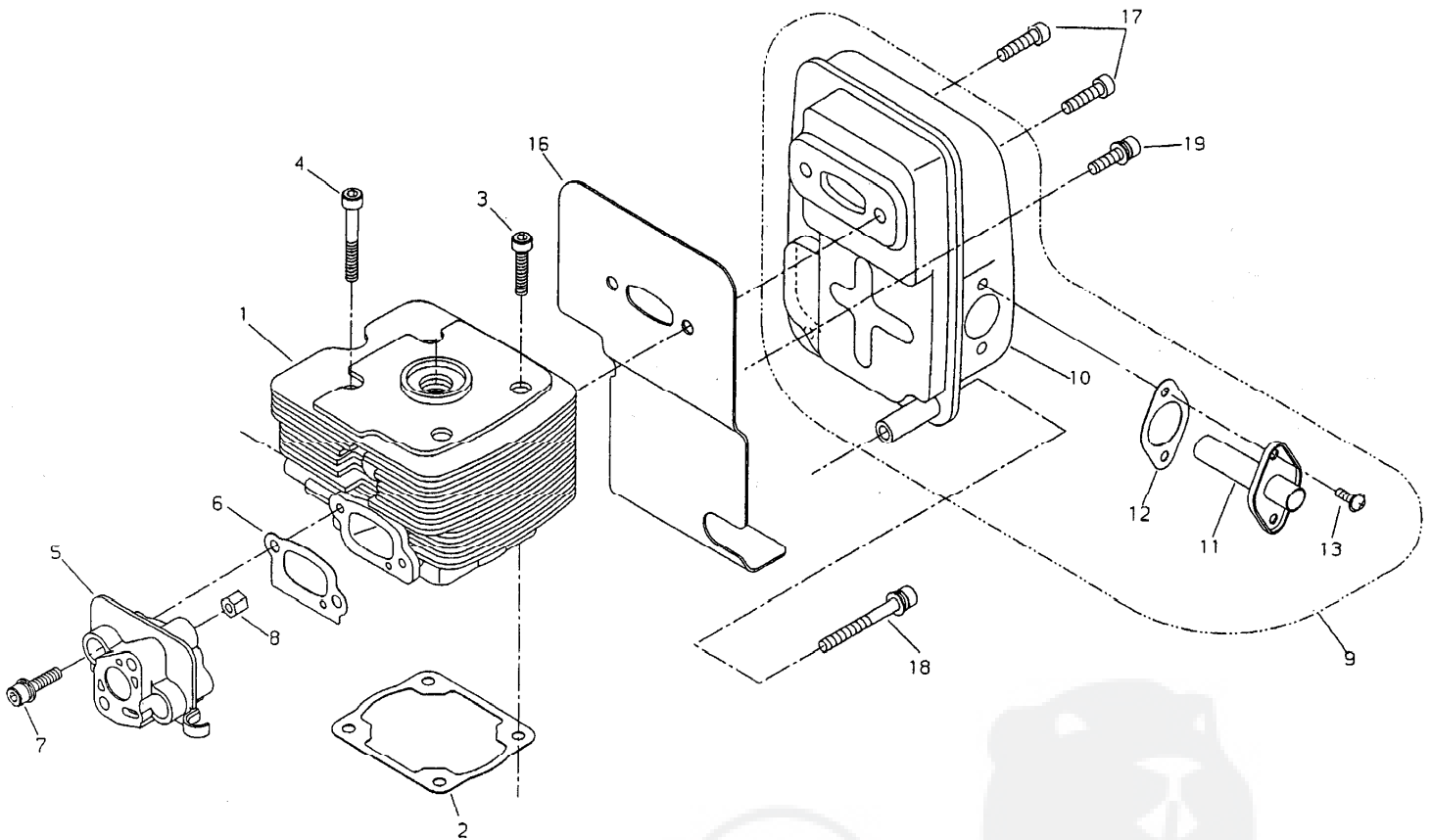
Tualatin, Oregon 97062, U.S.A.

1 + 503.692.3070 • fax 1 + 503.692.6696 •

**shindaiwa**

## CYLINDER / MUFFLER

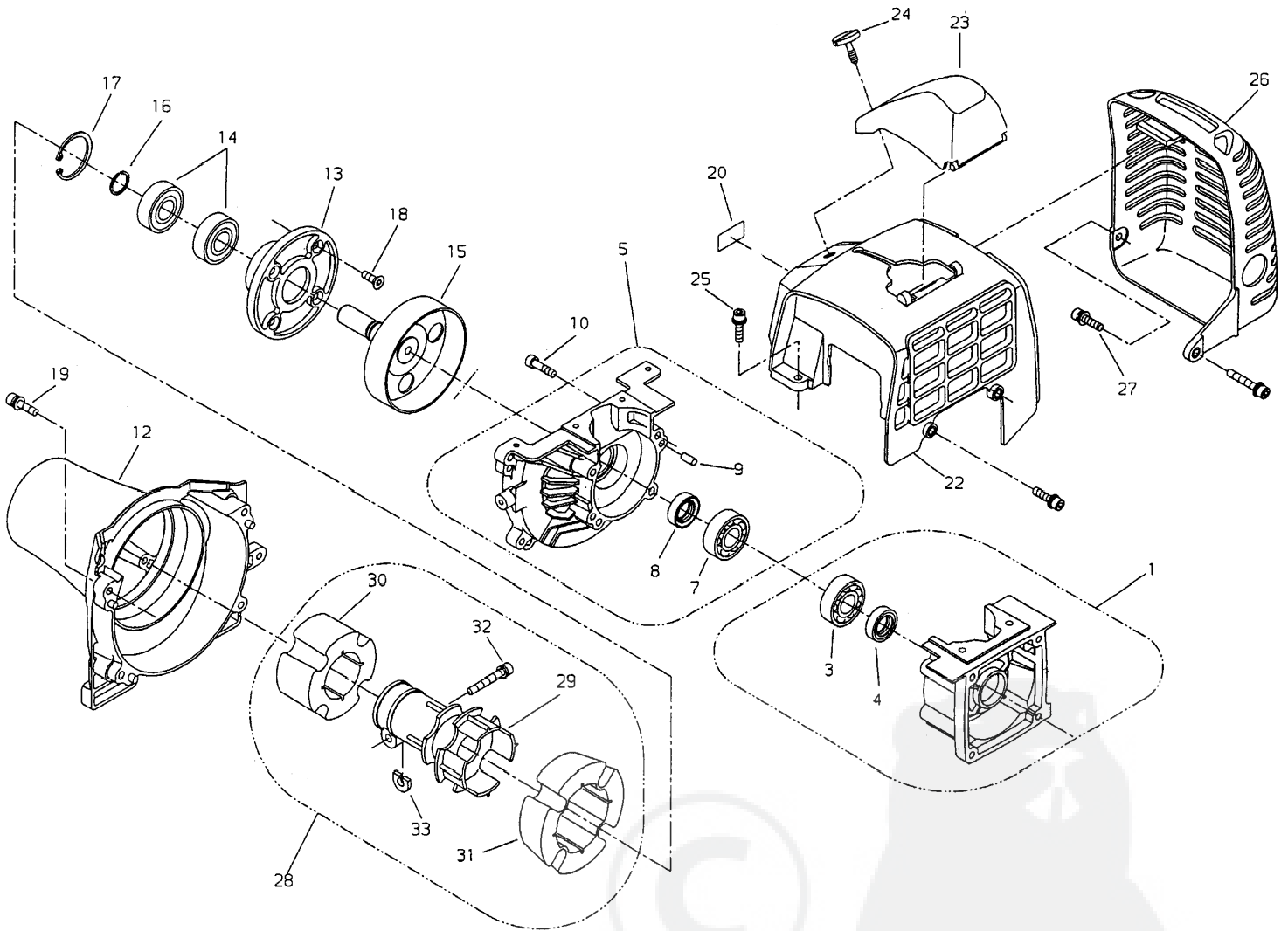
ILLUSTRATION 1 - REV 11/02



Ref. No	Part No.	Part Name	Q'ty
1-1	62035-12110	CYLINDER	1
2	62035-12120	GASKET CYLINDER	1
3	01020-05250	BOLT	3
4	01020-05350	BOLT	1
5	62035-12210	INSULATOR	1
6	62035-12220	GASKET	1
7	11022-05300	BOLT SW	2
8	20024-12260	NUT	2
9	62035-15011	MUFFLER ASSEMBLY	1
10	62035-15110	*MUFFLER	1
11	62035-15140	*TAILPIPE	1
12	62035-15150	*GASKET	1
13	11207-04120	*SCREW PMSLPW	2
16	62035-15210	GASKET MUFFLER	1
17	01020-06250	BOLT	2
18	11022-05450	BOLT SPW	1
19	11022-05160	BOLT SPW	1

CRANKCASE / FAN COVER / CLUTCH CASE

ILLUSTRATION 2 - REV 11/02



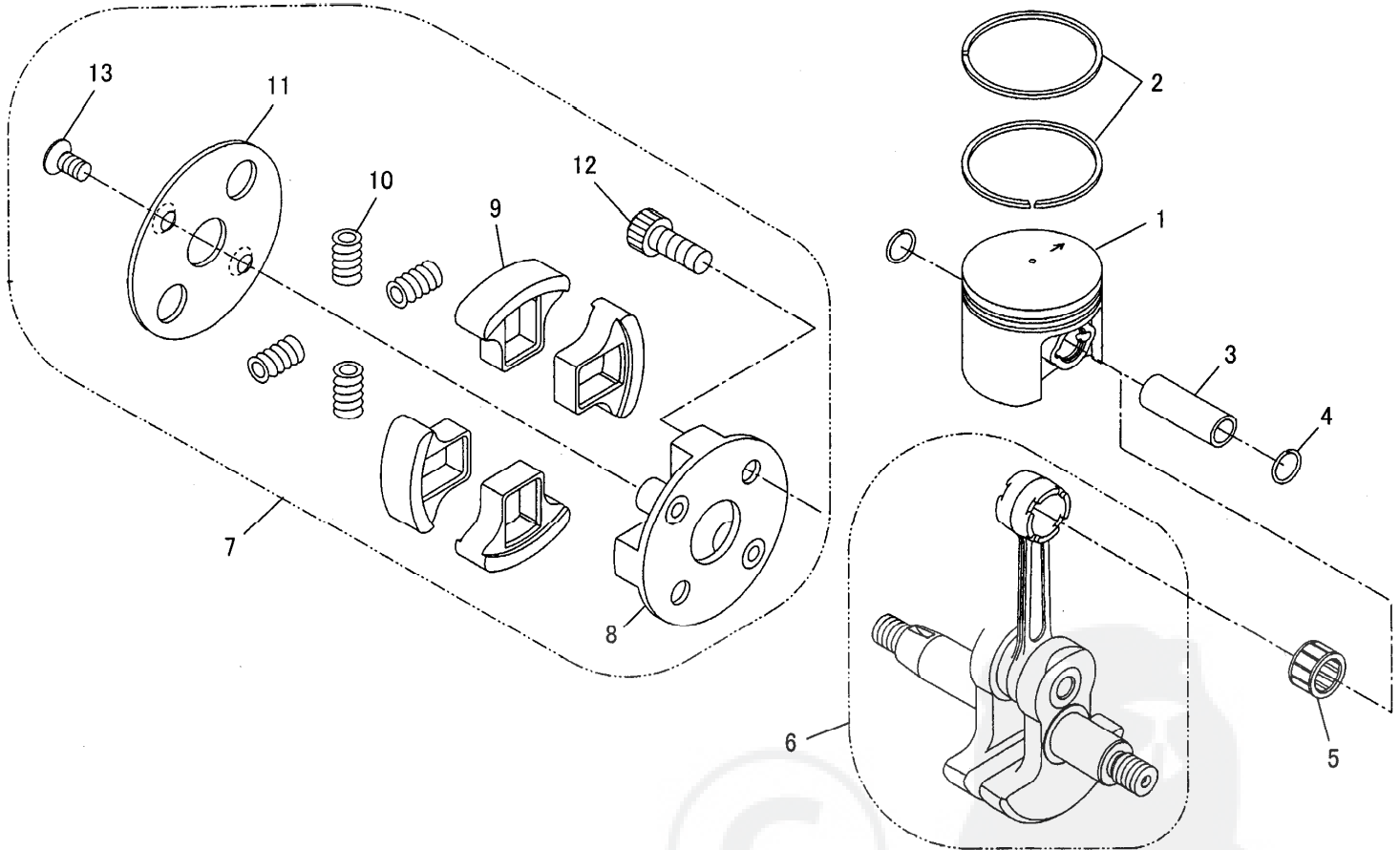
Ref. No	Part No.	Part Name	Q'ty
2-1	62035-21010	CRANKCASE S COMP	1
3	02030-06202	*BEARING	1
4	20010-21211	*OIL SEAL	1
5	62035-21020	CRANKCASE M COMP	1
7	02030-06202	*BEARING	1
8	20010-21211	*OIL SEAL	1
9	12492-50100	*ROLLER	2
10	01020-05300	BOLT	4
12	62035-31110	FAN COVER	1
13	62035-31310	CLUTCH CASE	1
14	02006-06202	BEARING	2
15	62035-31211	CLUTCH DRUM	1
16	20011-31230	SNAP RING	1
17	02432-35150	SNAP RING	1

Ref. No	Part No.	Part Name	Q'ty
18	11260-05161	SCREW ADHEISIVE	4
19	11022-05300	BOLT SW	4
20	62035-91020	LABEL TRADE	1
22	62035-32112	CYLINDER COVER	1
23	62035-32310	PLUG COVER	1
24	62035-32320	KNOB	1
25	11022-05160	BOLT SPW	2
26	62036-32310	MUFFLER COVER	1
27	11022-05160	BOLT SPW	1
28	62035-33010	JOINT ASSEMBLY	1
29	62035-33110	*JOINT	1
30	62035-33120	*FRONT CUSION	1
31	62035-33130	*REAR CUSION	1
32	11022-06280	BOLT SPW	1
33	20024-31460	SHIM	1

\* Denotes item is part of an assembly \*\* Denotes item is part of a sub-assembly

## PISTON / CRANKSHAFT / CLUTCH SHOE

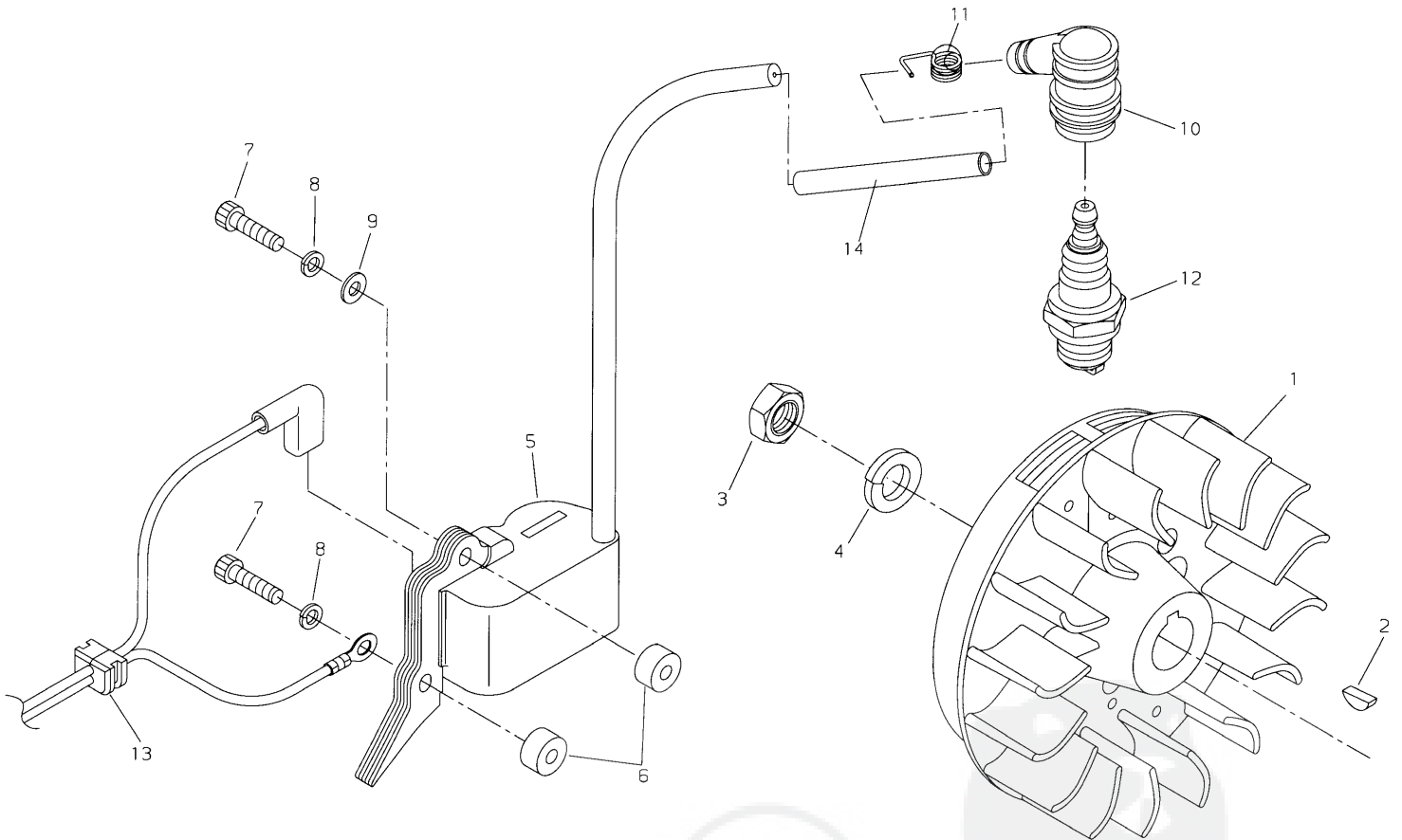
ILLUSTRATION 3 - REV 11/02



Ref. No	Part No.	Part Name	Q'ty
3- 1	62035-41110	PISTON	1
2	62035-41120	PISTON RING	2
3	62035-41210	PISTON PIN	1
4	22152-41231	SNAP RING	2
5	22150-41280	NEEDLE BEARING	1
6	62035-42010	CRANKSHAFT	1
7	70210-51100	CLUTCH SHOE ASSEMBLY	1
8	20020-51112	*CLUTCH BOSS	1
9	20020-51121	*CLUTCH SHOE	4
10	20020-51131	*SPRING	4
11	20020-51140	*PLATE	1
12	20020-51150	*CLUTCH BOLT	2
13	70210-51160	*SCREW FLAT	2

**ROTOR / COIL ASSEMBLY**

ILLUSTRATION 4 - REV 11/02

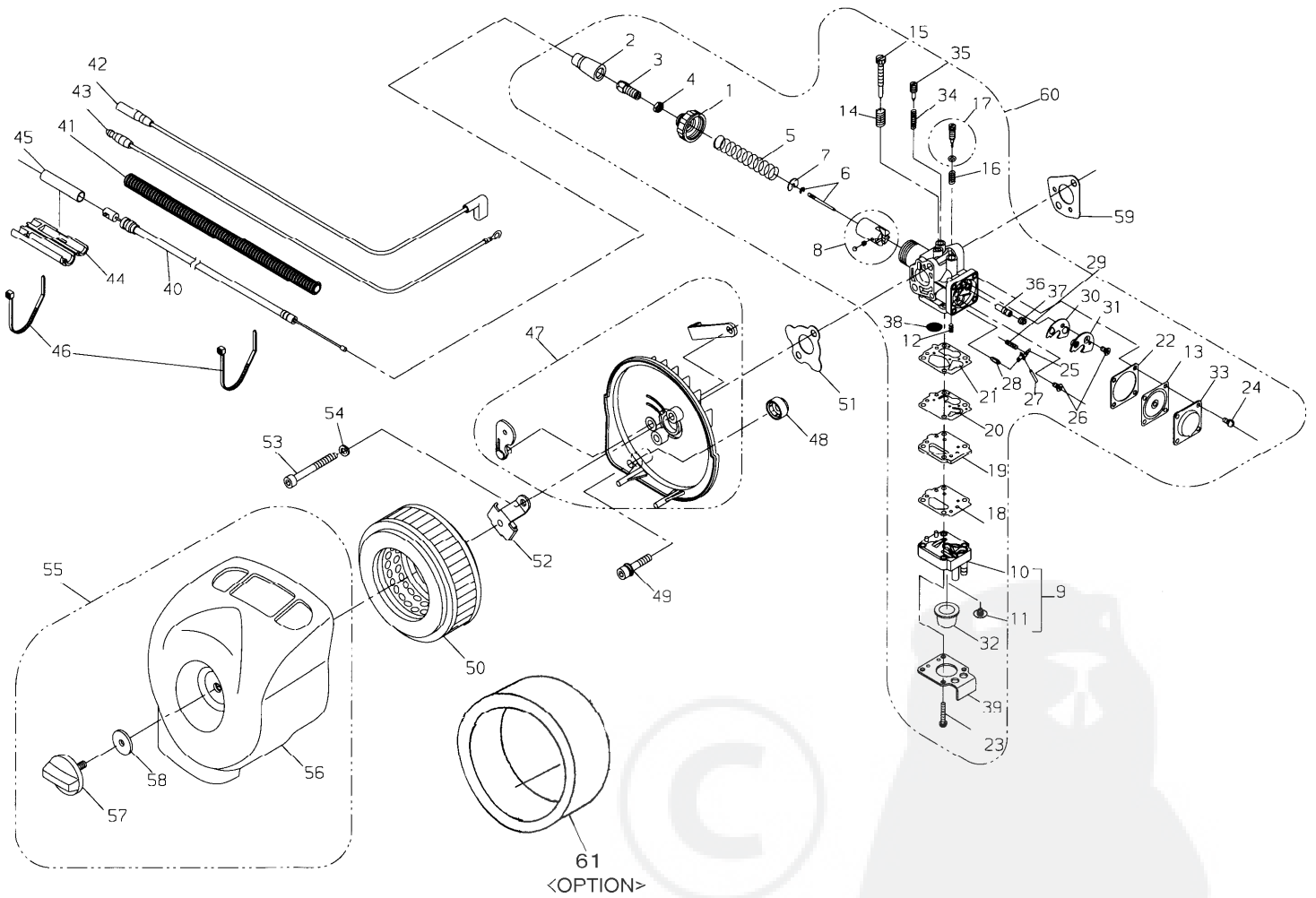


Ref. No	Part No.	Part Name	Q'ty
4-1	62035-71110	ROTOR	1
2	02403-03100	KEY	1
3	01511-10061	NUT	1
4	01600-10251	SPRING WASHER	1
5	62035-71020	COIL ASSEMBLY	1
6	70030-71620	INSULATOR	2
7	01020-04240	BOLT	2
8	01600-04101	SPRING WASHER	2
9	20010-71650	WASHER	1
10	22160-72220	PLUG CAP	1
11	22154-72230	SPRING PLUG	1
12	13000-13406	SPARKPLUG BMR6A	1
13	62035-71320	GROMMET	1
14	22155-72280	PIPE CORD B	1

\* Denotes item is part of an assembly \*\* Denotes item is part of a sub-assembly

## CARBURETOR / CLEANER

ILLUSTRATION 6 - REV 11/02



## CARBURETOR / CLEANER

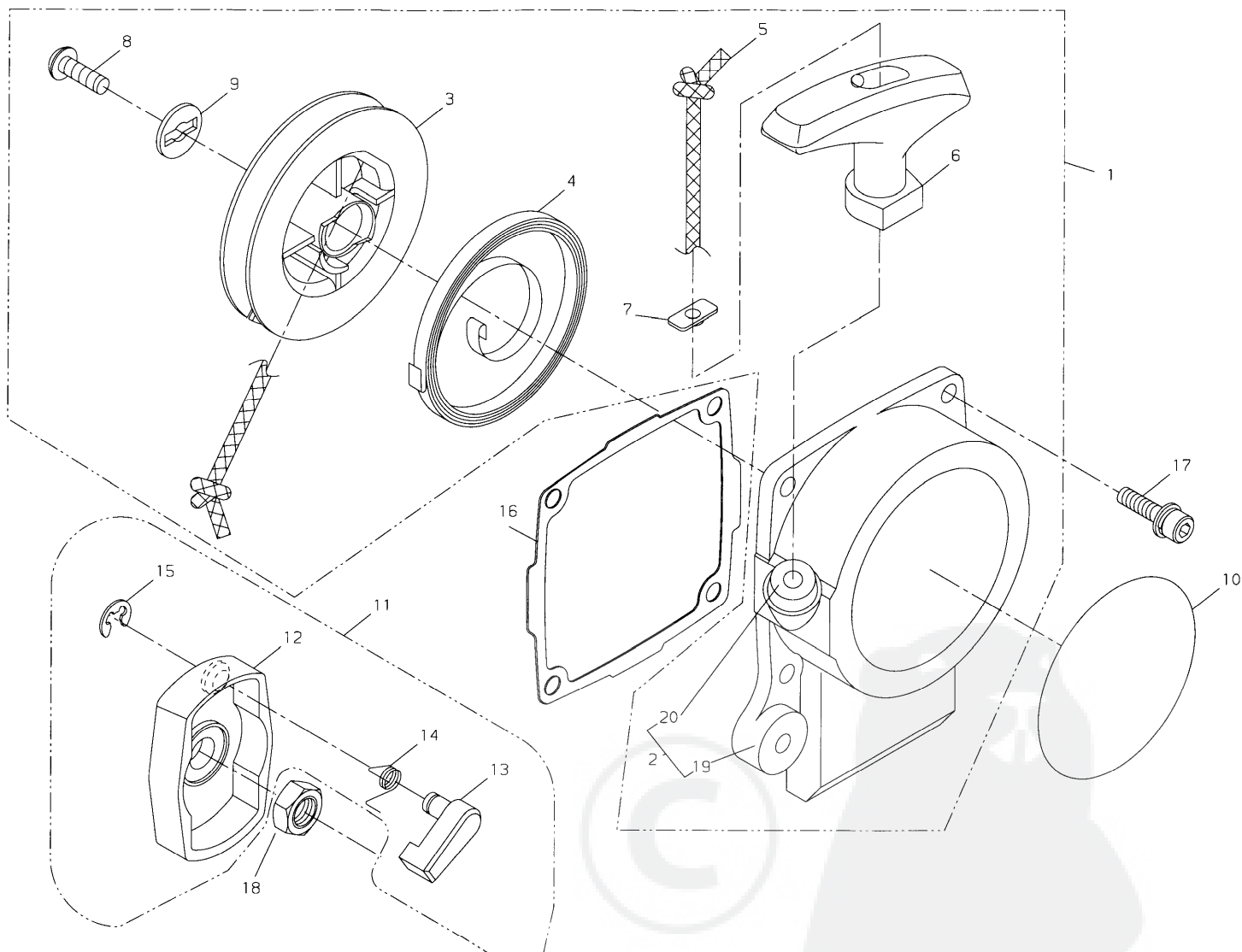
ILLUSTRATION 6 - REV 11/02

Ref. No	Part No.	Part Name	Q'ty
6-60	62035-81013	CARBURETOR ASSEMBLY	1
1	72921-81120	*BODY CAP	1
2	72920-81130	*ADJUSTER CAP	1
3	20020-81110	*CABLE ADJUSTER	1
4	20000-81260	*LOCKNUT	1
5	20020-81140	*SPRING	1
6	62035-81432	*JET NEEDLE	1
7	20020-81150	*SPRING RECIEVE	1
8	62035-81330	*THROTTLE VALVE	1
9	62035-81340	*PUMP COVER ASSEMBLY	1
10	62035-81350	**PUMP COVER	1
11	68501-81340	**VALVE	1
12	62035-81360	*SPRING	1
13	62035-81410	*DIAPHRAGM	1
14	72920-81820	*SPRING	1
15	20000-81310	*SLOW STOP SCREW	1
16	20011-81360	*SPRING	1
17	20070-81350	*MAIN ADJUST SCREW	1
18	20019-81660	*GASKET	1
19	20019-81610	*PUMP PLATE	1
20	20019-81620	*DIAPHRAGM PUMP	1
21	20019-81630	*GASKET	1
22	62035-81370	*GASKET	1
23	62035-81380	*SCREW	4
24	20000-81540	*SCREW	4
25	20011-81451	*LEVER	1
26	20011-81470	*SCREW	2
27	20011-81460	*PIN	1
28	20019-81440	*NEEDLE VALVE	1
29	20040-81430	*SPRING	1
30	70210-81440	*PACKING	1

Ref. No	Part No.	Part Name	Q'ty
31	70210-81451	*PLATE	1
32	20087-81820	*PUMP	1
33	20019-81670	*COVER DIAPHRAGM	1
34	20000-81340	*SPRING	1
35	20000-81330	*SLOW AIR SCREW	1
36	62035-81420	*NEEDLE JET	1
37	70210-81420	*HOLDER	1
38	68501-81480	*SCREEN	1
39	62035-81390	PUMP PLATE	1
40	62035-83111	THROTTLE CABLE	1
41	62035-83311	TUBE	1
42	14352-13100	LEAD WIRE	1
43	14350-13000	LEAD WIRE	1
44	72550-82120	CONNECTOR	1
45	20037-82130	SLEEVE	1
46	15210-12303	BAND	2
47	62035-82011	CLEANER BODY COMP	1
48	62035-82362	INSULATOR	1
49	11022-05400	BOLT SW	1
50	62035-82121	FILTER	1
51	62035-82330	GASKET	1
52	62035-82340	BACKPLATE	1
53	11020-05750	BOLT SW	2
54	01600-05131	SPRING WASHER	2
55	62036-82040	CLEANER COVER COMP	1
56	62036-82130	*CLEANER COVER	1
57	20870-33120	*KNOB	1
58	62035-82350	*WASHER	1
59	62035-81310	GASKET	1
61	60035-98070	PREFILTER	1

## RECOIL STARTER / STARTER PULLEY

ILLUSTRATION 5 - REV 11/02



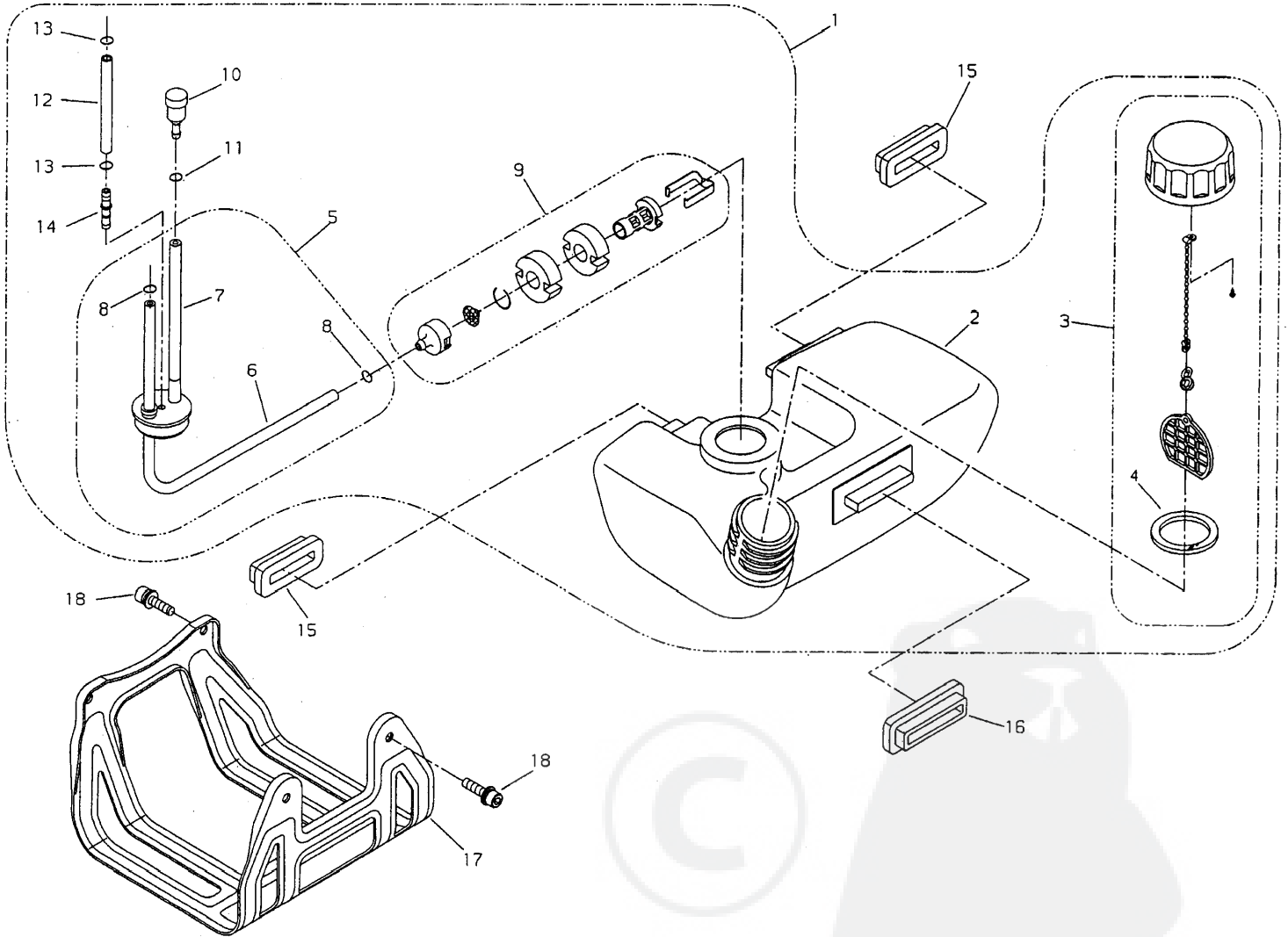
Ref. No	Part No.	Part Name	Q'ty
5- 1	62035-75010	RECOIL STARTER ASSEMBLY	1
2	62035-75110	*RECOIL CASE	1
19	62035-75320	**RECOIL CASE	1
20	62035-75310	**GUIDE	1
3	62035-75120	*REEL	1
4	62035-75130	*RECOIL SPRING	1
5	62035-75140	*ROPE	1
6	22104-75420	*KNOB RECOIL	1
7	20010-75210	*STOPPER	1
8	20035-75170	*SCREW	1

Ref. No	Part No.	Part Name	Q'ty
9	20024-75140	*WASHER	1
10	19420-00027	LABEL TRADE	1
11	62035-75020	STARTER PULLEY ASSEMBLY	1
12	62035-75210	*STARTER PULLEY	1
13	62035-75220	*RATCHET	1
14	20024-75230	*RETURN SPRING	1
15	20024-75240	*E-RING	1
16	62035-75331	GASKET	1
17	11022-05250	BOLT SPW	4
18	62035-75340	NUT	1



FUEL TANK

ILLUSTRATION 7 - REV 11/02



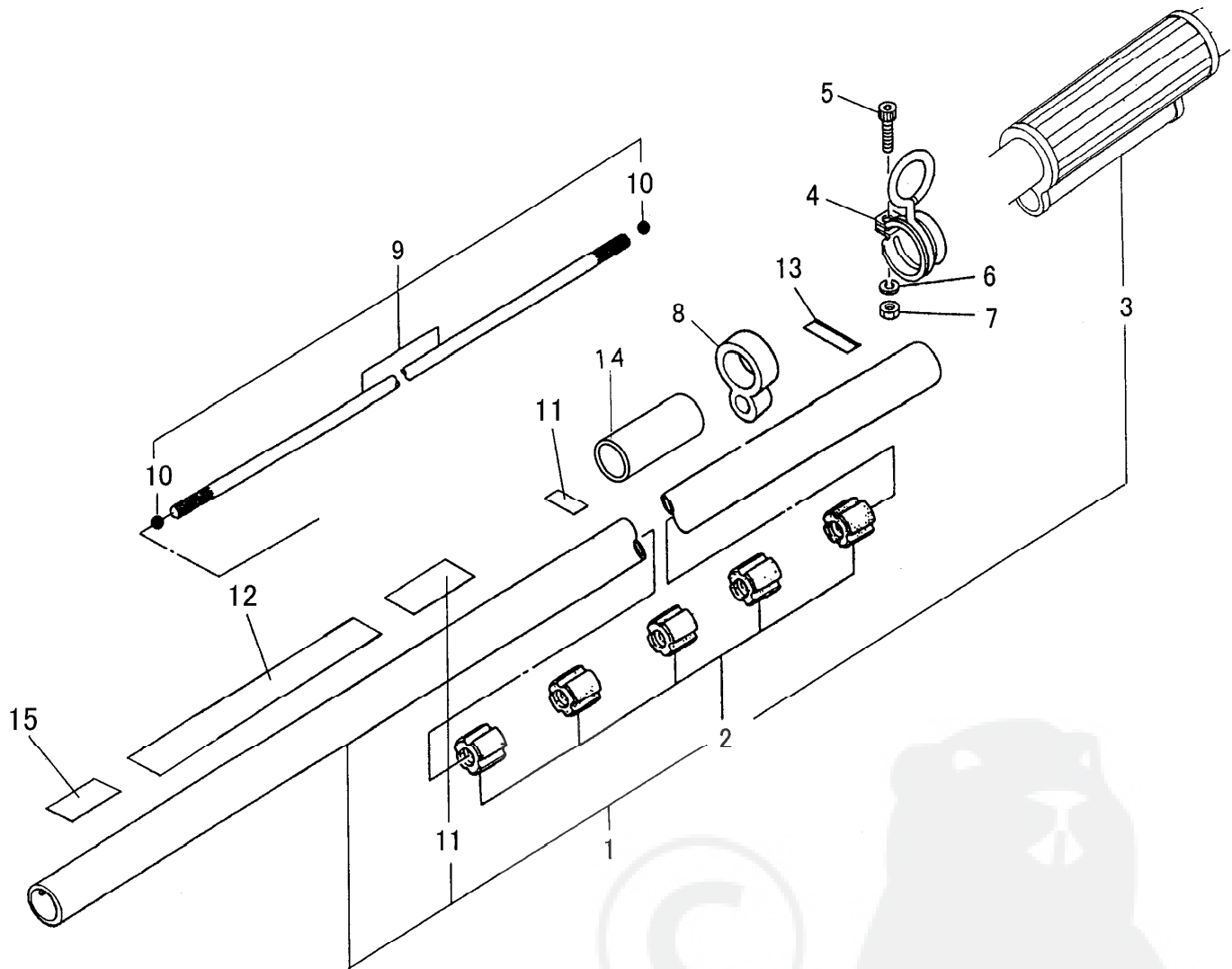
Ref. No	Part No.	Part Name	Q'ty
7-1	62035-85011	FUEL TANK ASSEMBLY	1
2	62035-85110	*FUEL TANK	1
3	70168-85201	*FUEL CAP ASSEMBLY	1
4	20000-85221	**GASKET	1
5	62035-85030	*FUEL PIPE ASSEMBLY	1
6	62035-85310	**FUEL PIPE	1
7	62035-85320	**GROMMET	1
8	20020-85540	**CLIP	2
9	22169-35400	*FUEL FILTER SUB ASSEMBLY	1

Ref. No	Part No.	Part Name	Q'ty
10	22197-33960	*VALVE	1
11	20020-85540	*CLIP	1
12	20140-83311	*PIPE	1
13	20020-85540	*CLIP	2
14	72933-85620	*JOINT	1
15	62035-85340	TANK CUSHION	2
16	62035-85350	TANK CUSHION	1
17	62035-85360	TANK GUARD	1
18	11022-05160	BOLT SPW	4

\* Denotes item is part of an assembly \*\* Denotes item is part of a sub-assembly

## OUTER PIPE / MAINSHAFT

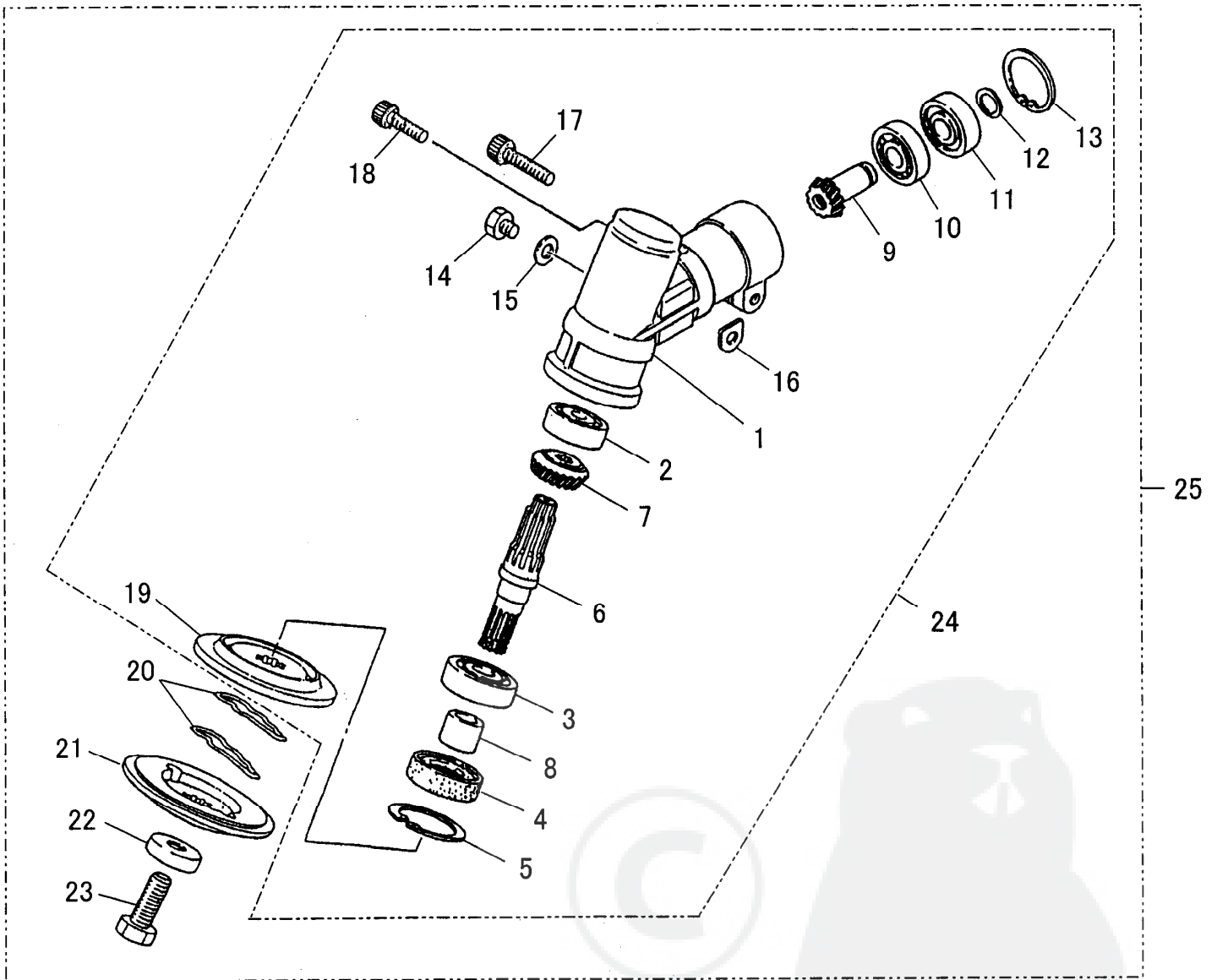
ILLUSTRATION 8 - REV 11/02



Ref. No	Part No.	Part Name	Q'ty
8-1	63019-12102	OUTER PIPE SUB ASSEMBLY	1
2	63019-62120	*BUSHING	5
3	63019-62313	*PROTECTOR	1
11	72017-12150	*HANDLE LABEL	1
4	22017-12210	HANGER	1
5	01020-05120	BOLT	1
6	01600-05130	SPRING WASHER	1
7	01500-05041	NUT	1
8	72447-12190	BAND	1
9	72550-12400	MAINSHAFT SUB ASSEMBLY	1
10	22021-12420	*STOPPER	2
12	19422-00010	LABEL CAUTION	1
13	72005-12140	CAUTION PLATE	1
14	63019-62320	PROTECTOR	1
15	19402-00223	LABEL CAUTION	1

GEARCASE

ILLUSTRATION 9 - REV 11/02



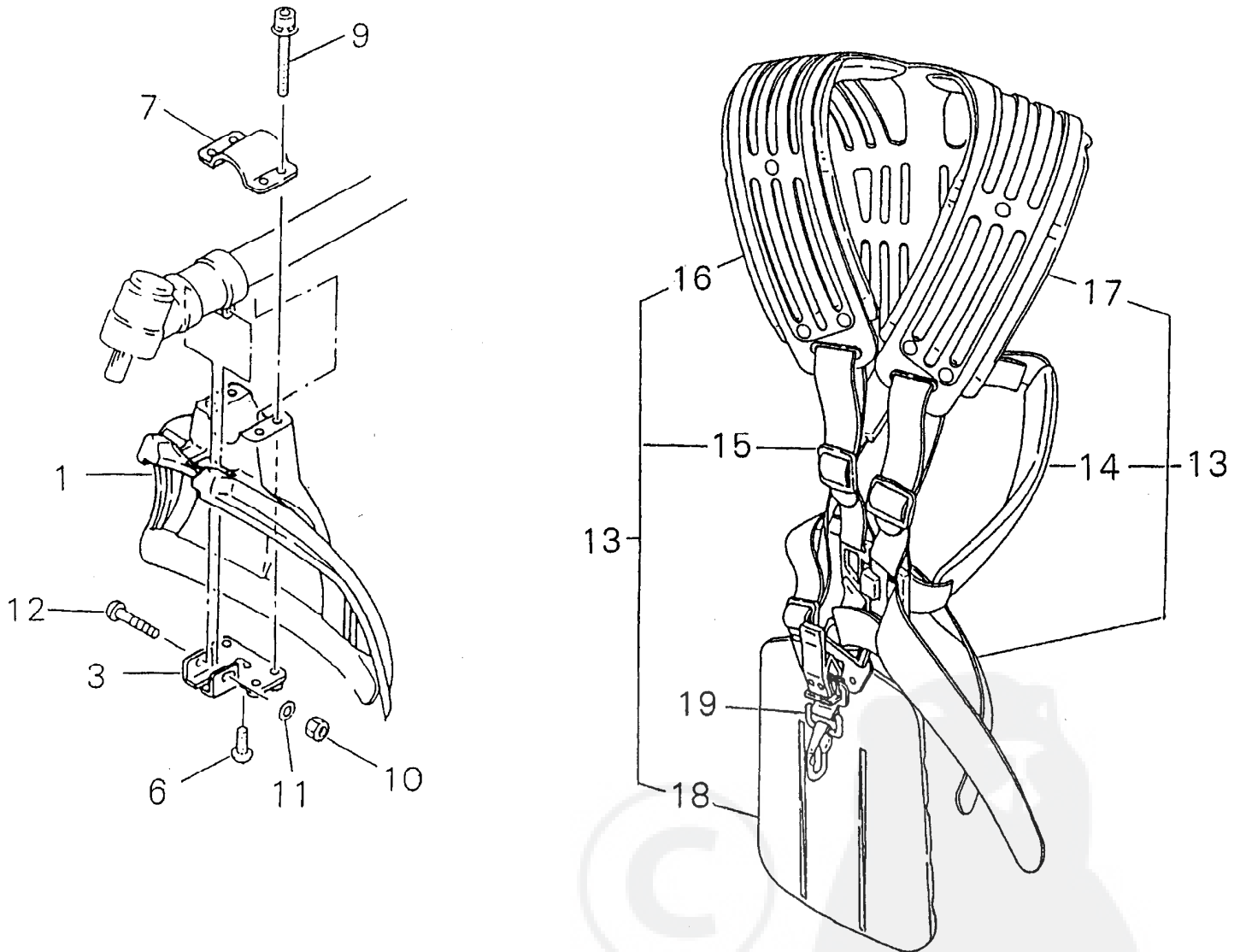
Ref. No	Part No.	Part Name	Q'ty
9-25	63020-63010	GEARCASE ASSEMBLY	1
24	63019-63020	*GEARCASE SUB ASSEMBLY	1
1	72017-13111	**GEARCASE	1
2	02006-06000	**BEARING	1
3	02000-06202	**BEARING	1
4	22015-13120	**OIL SEAL	1
5	02432-35150	**SNAP RING	1
6	63019-63130	**GEARSHAFT	1
7	22015-13220	**BEVEL GEAR	1
8	22015-13230	**COLLAR	1
9	22021-13390	**PINION SET	1
10	02000-06001	**BEARING	1

Ref. No	Part No.	Part Name	Q'ty
11	02002-06001	**BEARING	1
12	20000-31140	**SNAP RING	1
13	02432-28120	**SNAP RING	1
14	22015-13410	**BOLT	1
15	22015-13420	**GASKET	1
16	22011-13450	**SHIM	1
17	11022-06280	**BOLT SPW	1
18	11022-06140	**BOLT SPW	1
19	22015-13241	**HOLDER A	1
20	22015-13290	*SLIDE PIN	2
21	63020-63170	*HOLDER	1
22	22015-13270	*BOLT GUARD	1
23	63019-63310	*BOLT	1

\* Denotes item is part of an assembly \*\* Denotes item is part of a sub-assembly

## GUARD / HARNESS

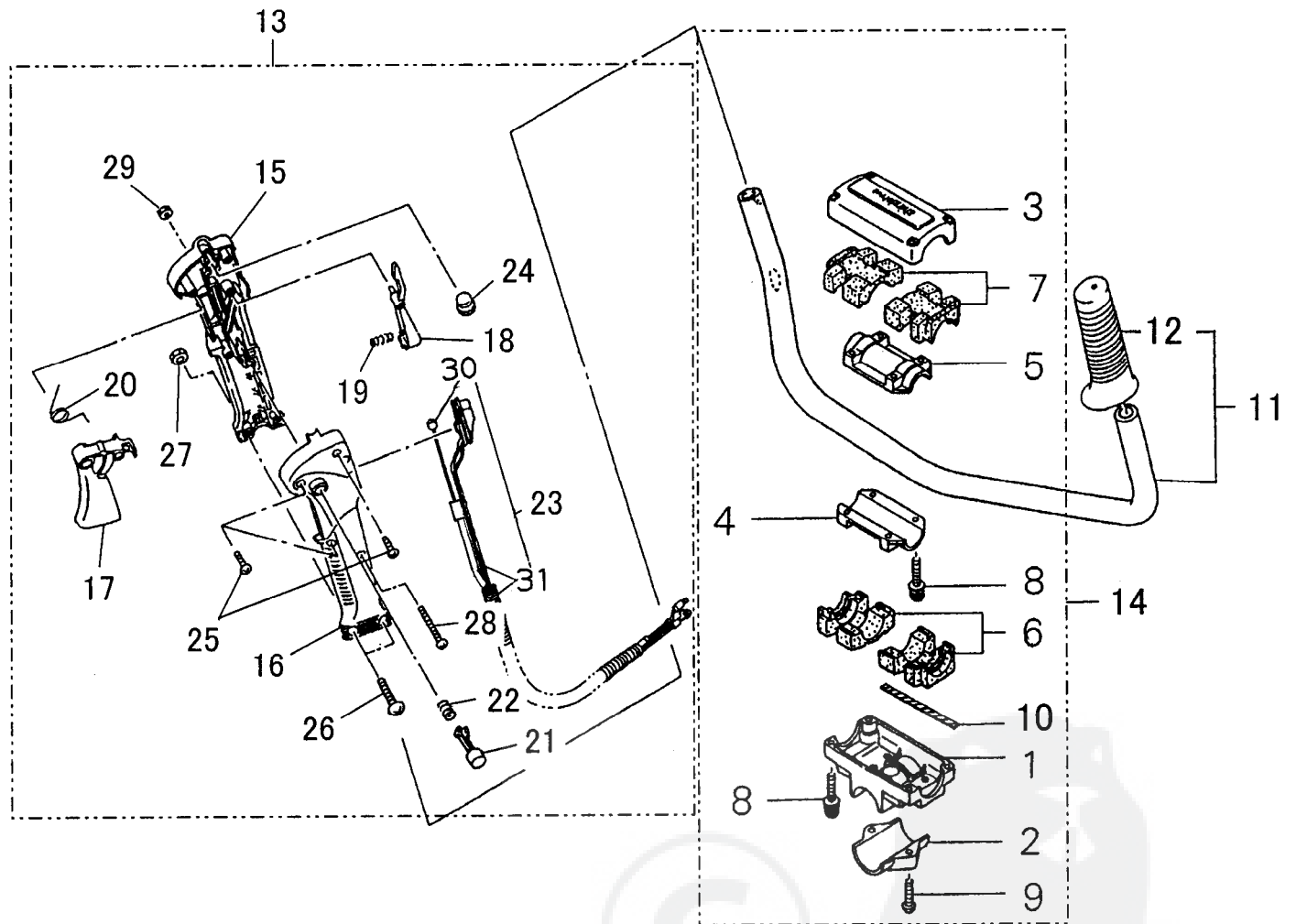
ILLUSTRATION 11 - REV 11/02



Ref. No	Part No.	Part Name	Q'ty
11-1	72480-16113	GUARD	1
3	72017-16130	LOWER CLAMP	1
6	11202-40100	SCREW HILO 4 X 10	1
7	72480-16210	UPPER CLAMP	1
9	11022-05450	BOLT SPW	4
10	01500-06051	NUT	1
11	01613-06100	WASHER	1
12	11022-06400	BOLT SPW	1
13	64007-67010	HARNESS ASSEMBLY	1
14	22007-17220	*PROTECTOR	1
15	72451-17230	*BUCKLE	4
16	64007-67320	*PAD RIGHT	1
17	64007-67310	*PAD LEFT	1
18	72451-17262	*PAD	1
19	72451-17271	*HOOK	1

THROTTLE LEVER / HANDLE

ILLUSTRATION 12 - REV 11/02



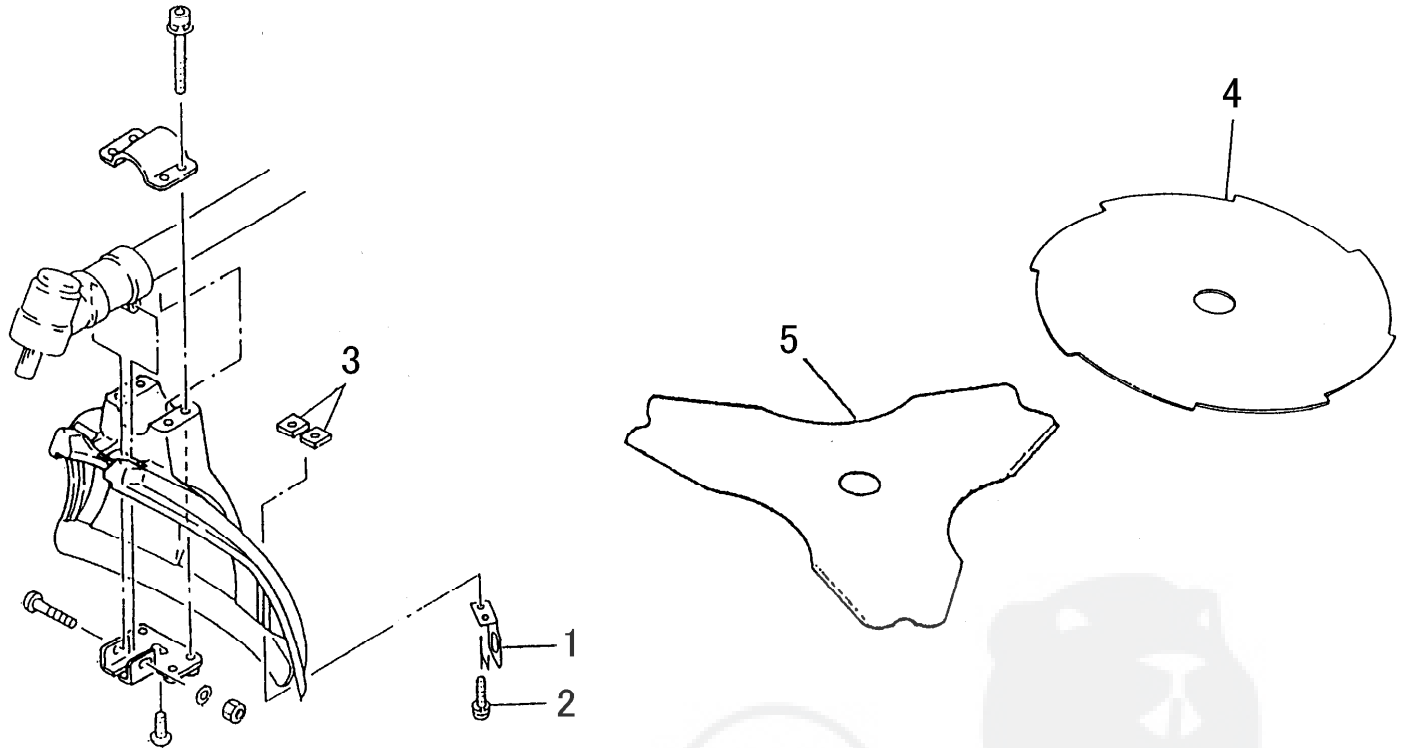
Ref. No	Part No.	Part Name	Q'ty
12-14	72514-14100	BRACKET SUB ASSEMBLY	1
1	72017-14110	*HANDLE BRACKET	1
2	72017-14120	*LOWER CAP	1
3	72017-14130	*UPPER CAP	1
4	22015-14140	*LOWER CLAMP	1
5	22015-14150	*UPPER CLAMP	1
6	22015-14160	*LOWER CUSHION	2
7	22015-14170	*UPPER CUSHION	2
8	11022-05250	*BOLT SPW	8
9	11210-06250	*SCREW BUTTON	2
10	72514-14190	*EARTH CORD	1
11	72550-14200	HANDLE SUB ASSEMBLY	1
12	72451-14320	*GRIP	1
13	64007-64251	THROTTLE LEVER ASSEMBLY	1
15	72550-14510	*BODY RIGHT	1

Ref. No	Part No.	Part Name	Q'ty
16	72550-14520	*BODY LEFT	1
17	70871-65130	*LEVER	1
18	70871-65140	*LOCK LEVER	1
19	70871-65150	*COIL SPRING	1
20	70871-65160	*COIL SPRING	1
21	70871-65170	*BUTTON	1
22	70871-65180	*COIL SPRING	1
23	64007-64310	*THROTTLE CABLE	1
30	64007-64320	**THROTTLE CABLE	1
31	64007-64330	**SWITCH	1
24	22150-33630	*PLUG	1
25	70871-65310	*SCREW TAPPING	3
26	70871-65320	*SCREW PM	2
27	01501-05030	*NUT	2
28	70871-65330	*SCREW	1
29	70871-65340	*NUT	1

\* Denotes item is part of an assembly \*\* Denotes item is part of a sub-assembly

## CUTTER / SAWS

ILLUSTRATION 13 - REV 11/02

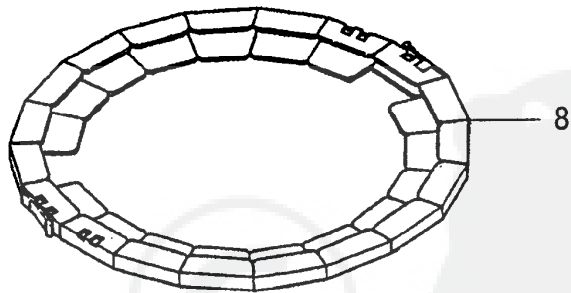
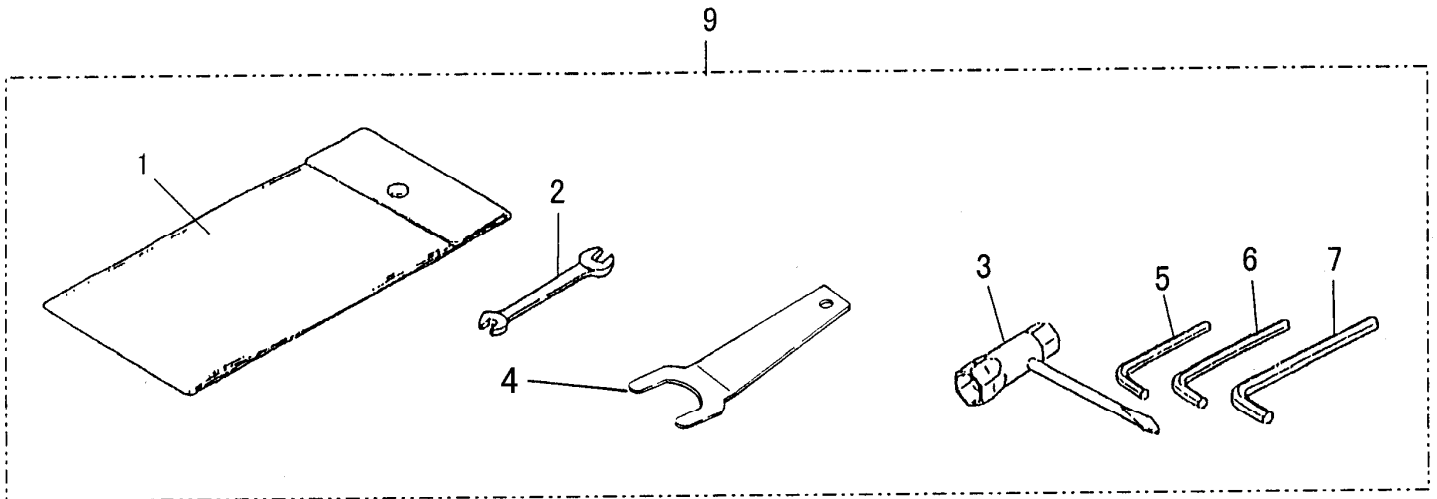


<OPTION>

Ref. No	Part No.	Part Name	Q'ty
13- 1	72480-16121	CUTTER	1
2	22420-16120	NUT	2
3	11020-05160	BOLT SW	2
4	72430-92110	EDDY SAW	1
5	72430-92140	TRIPLE SAW	1

TOOL SET / BLADE COVER

ILLUSTRATION 10 - REV 11/02



Ref. No	Part No.	Part Name	Q'ty
10-9	64008-92010	TOOLSET	1
1	19610-02600	*TOOLBAG	1
2	22000-91120	*SPANNER	1
3	72518-91180	*WRENCH 17 X 19	1
4	64008-92020	*SPANNER 38	1
5	09026-03001	*HEX A WRENCH	1
6	09026-04001	*HEX A WRENCH	1
7	09026-05001	*HEX A WRENCH	1
8	19601-00900	BLADE COVER	3

\* Denotes item is part of an assembly \*\* Denotes item is part of a sub-assembly



**shindaiwa**

[www.shindaiwa.com](http://www.shindaiwa.com)

11975 SW Herman Road, Tualatin, Oregon 97062, U.S.A.

1 + 503.692.3070 • fax 1 + 503.692.6696 •

Item #xxxx Effective 11/02