

# shindaiwa

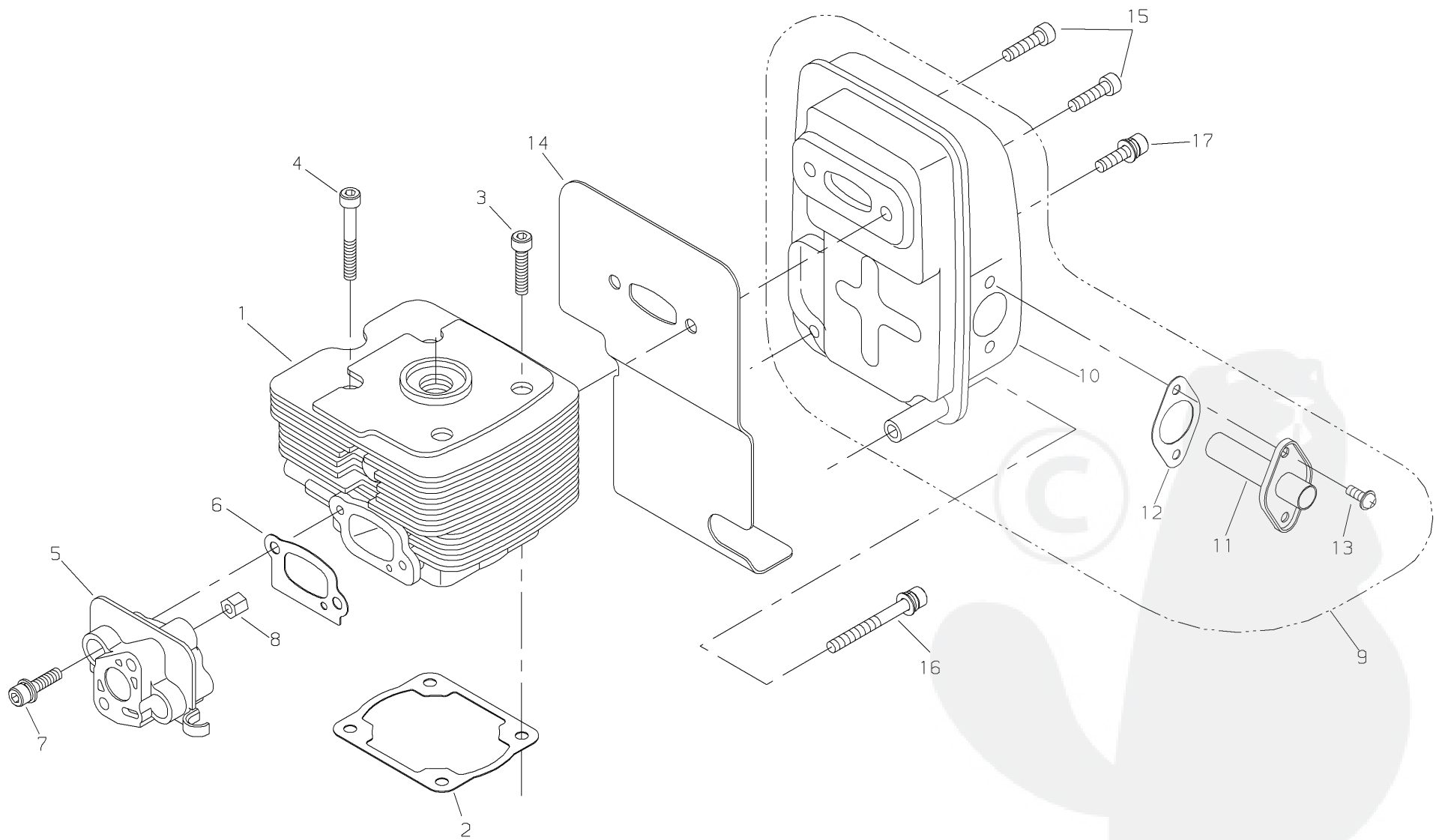
## Illustrated Parts List

### B530/EC1

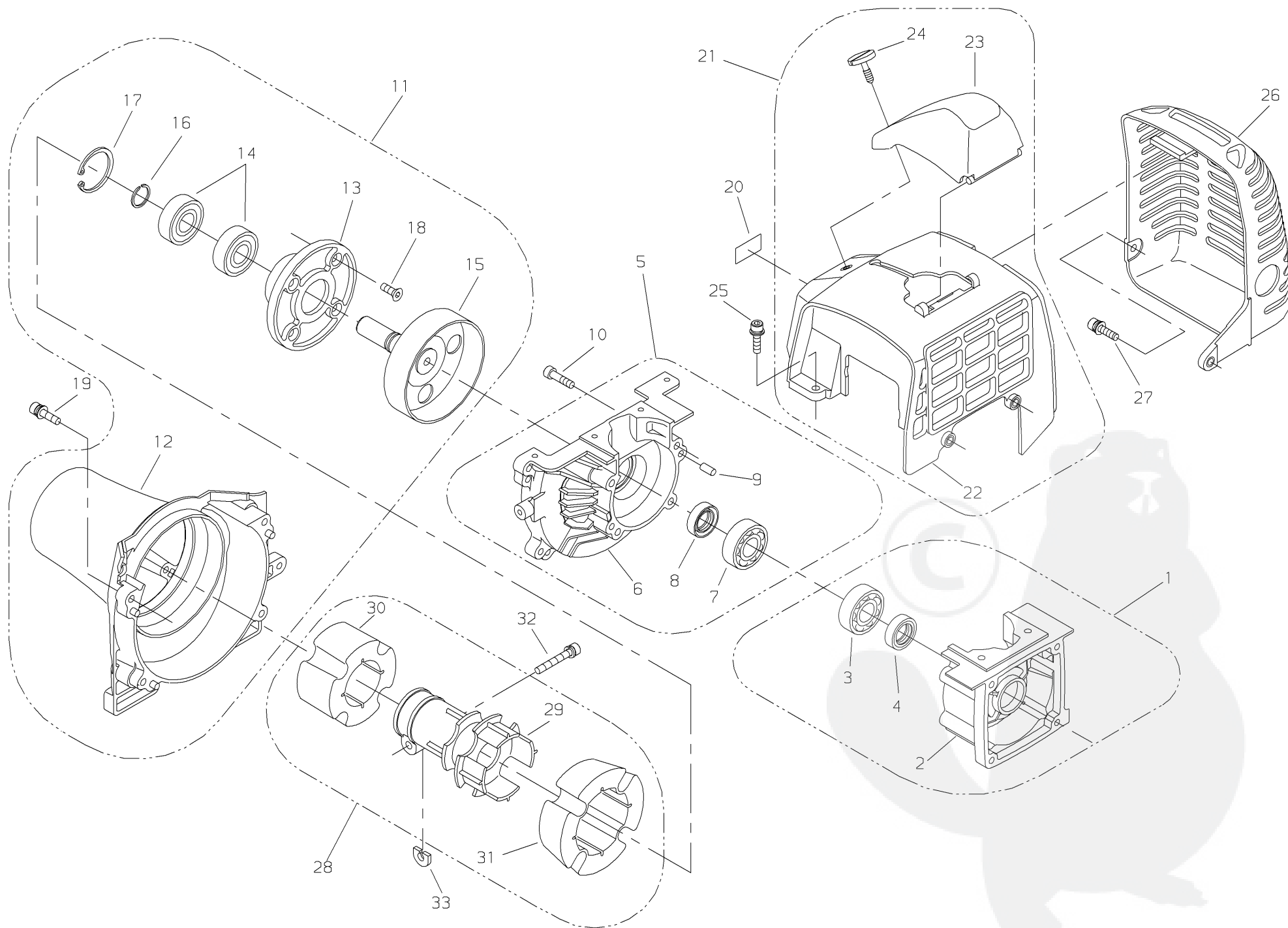


Shindaiwa, Inc.  
11975 S.W. Herman Road  
Tualatin, Oregon 97062  
Telephone 503 692-3070  
Fax 503 692-6696

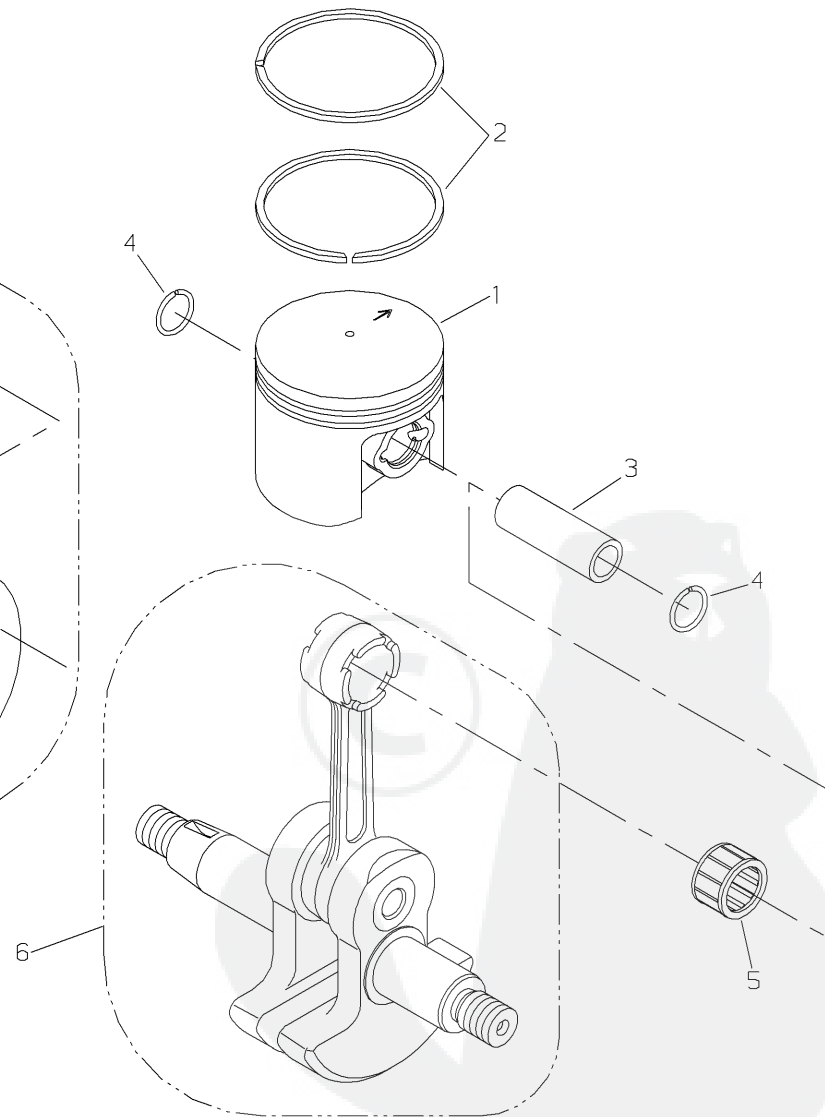
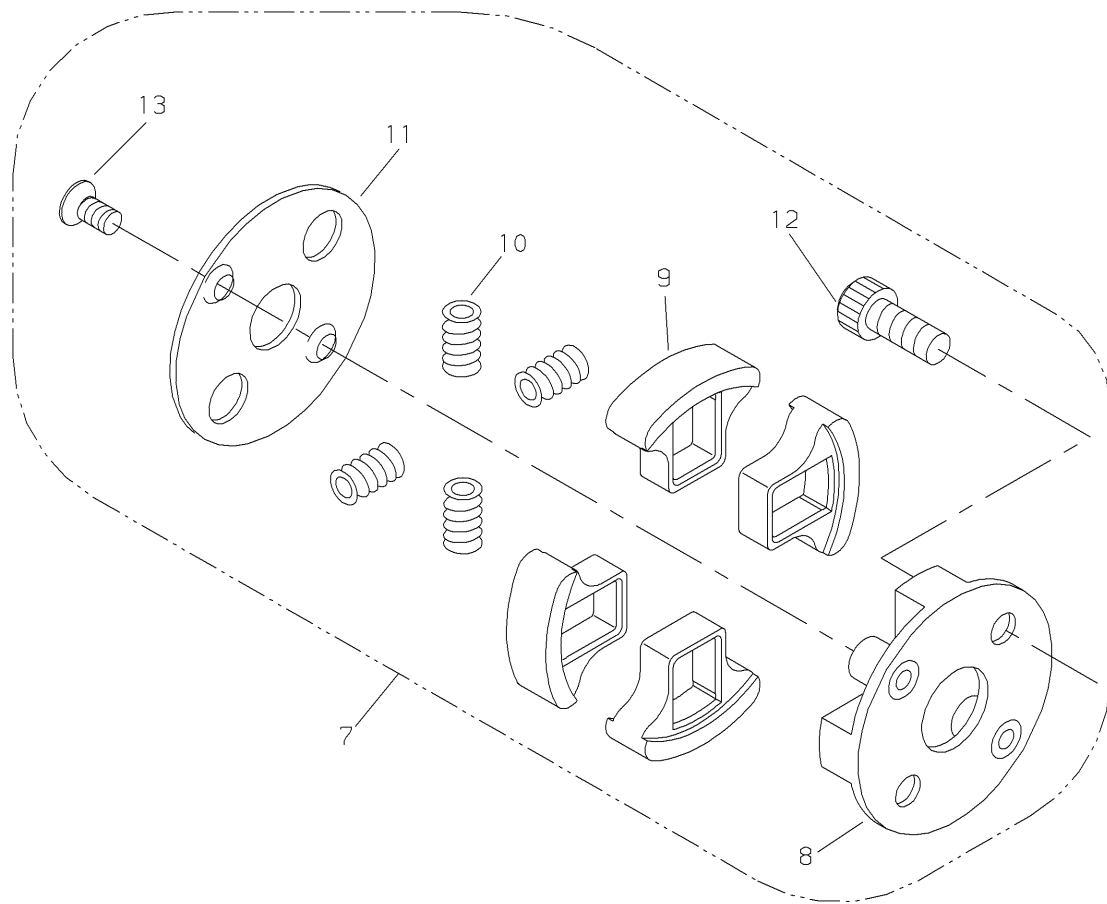
B530/EC1  
REV August 8, 2005



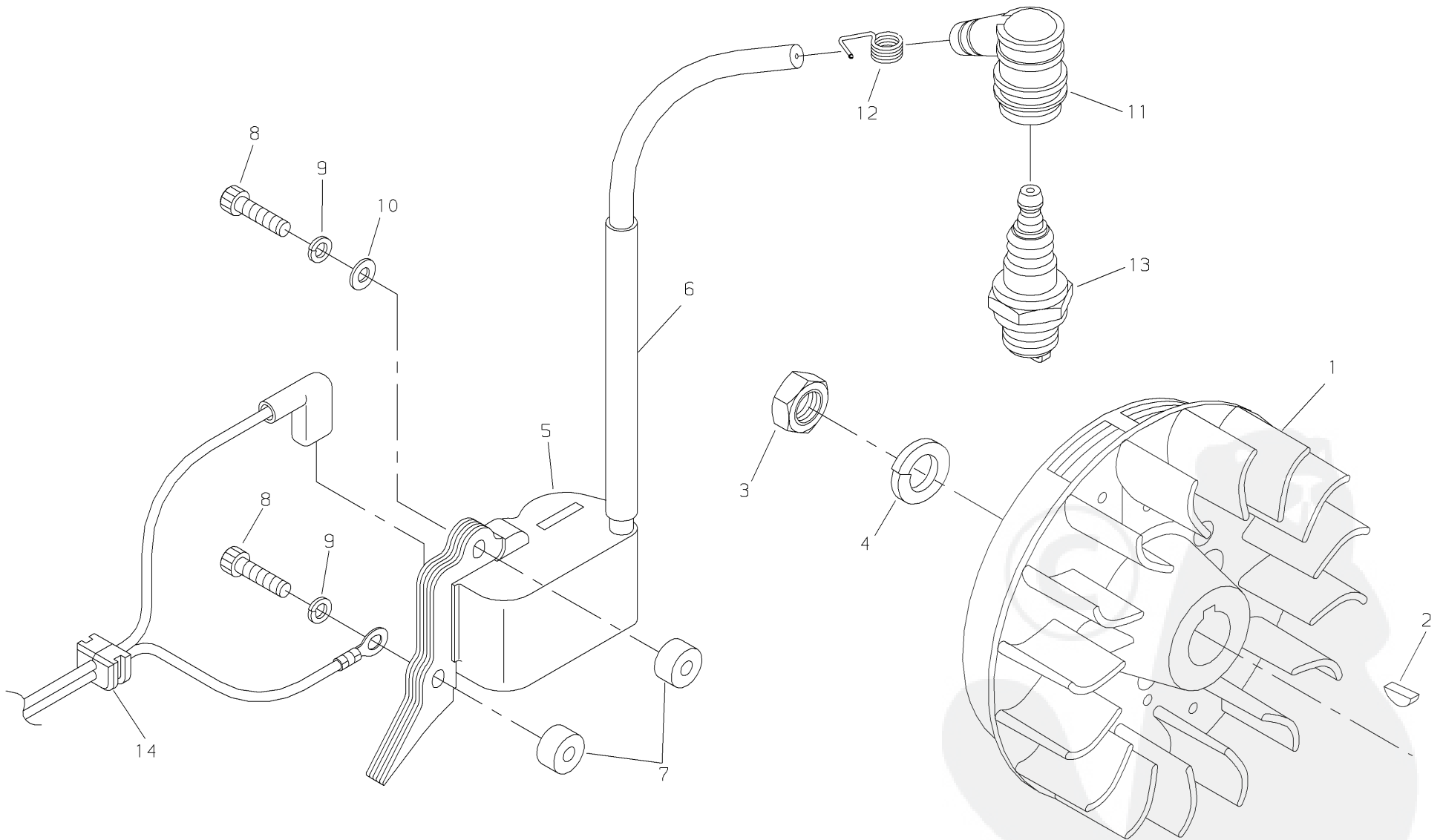






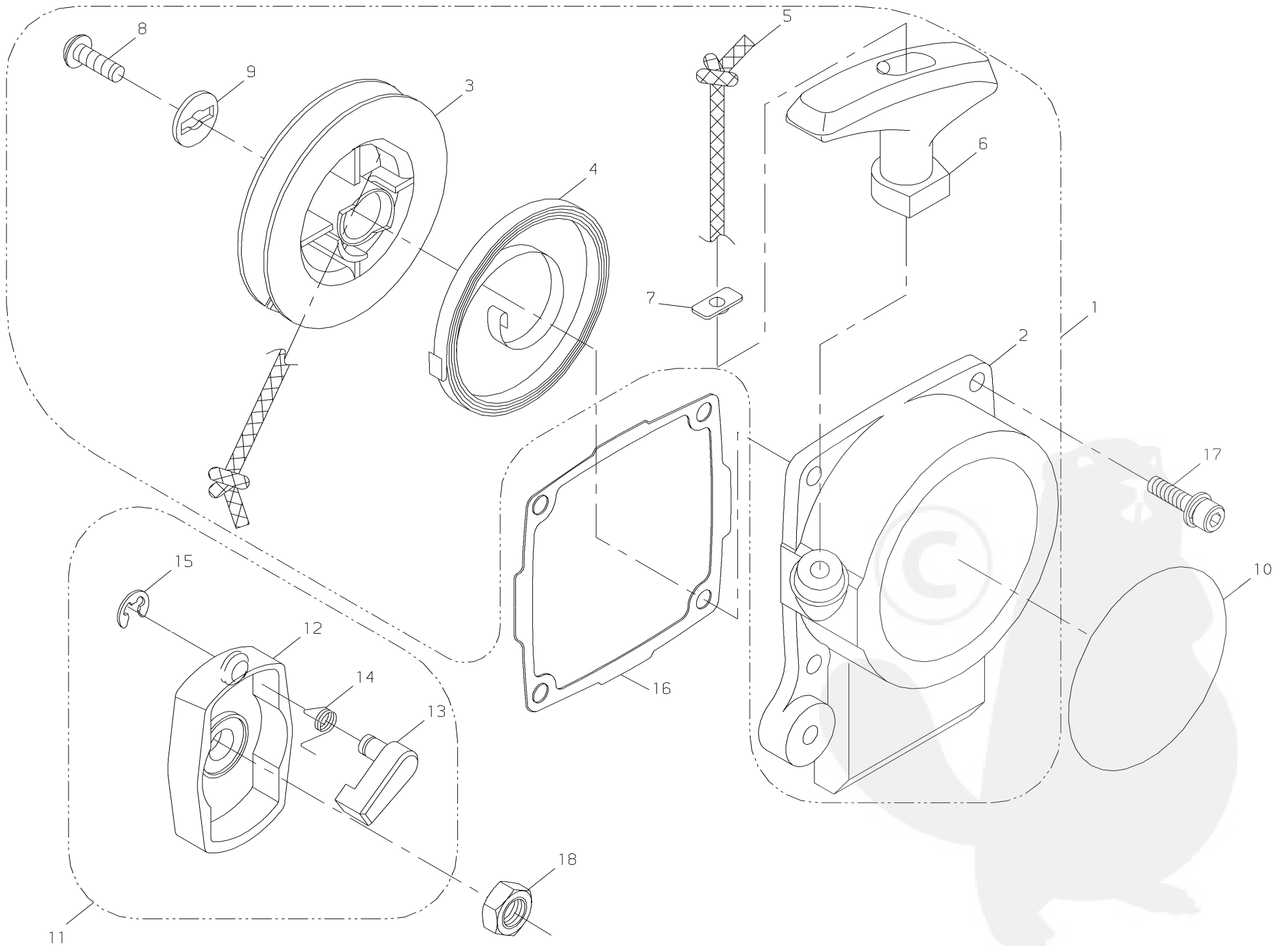




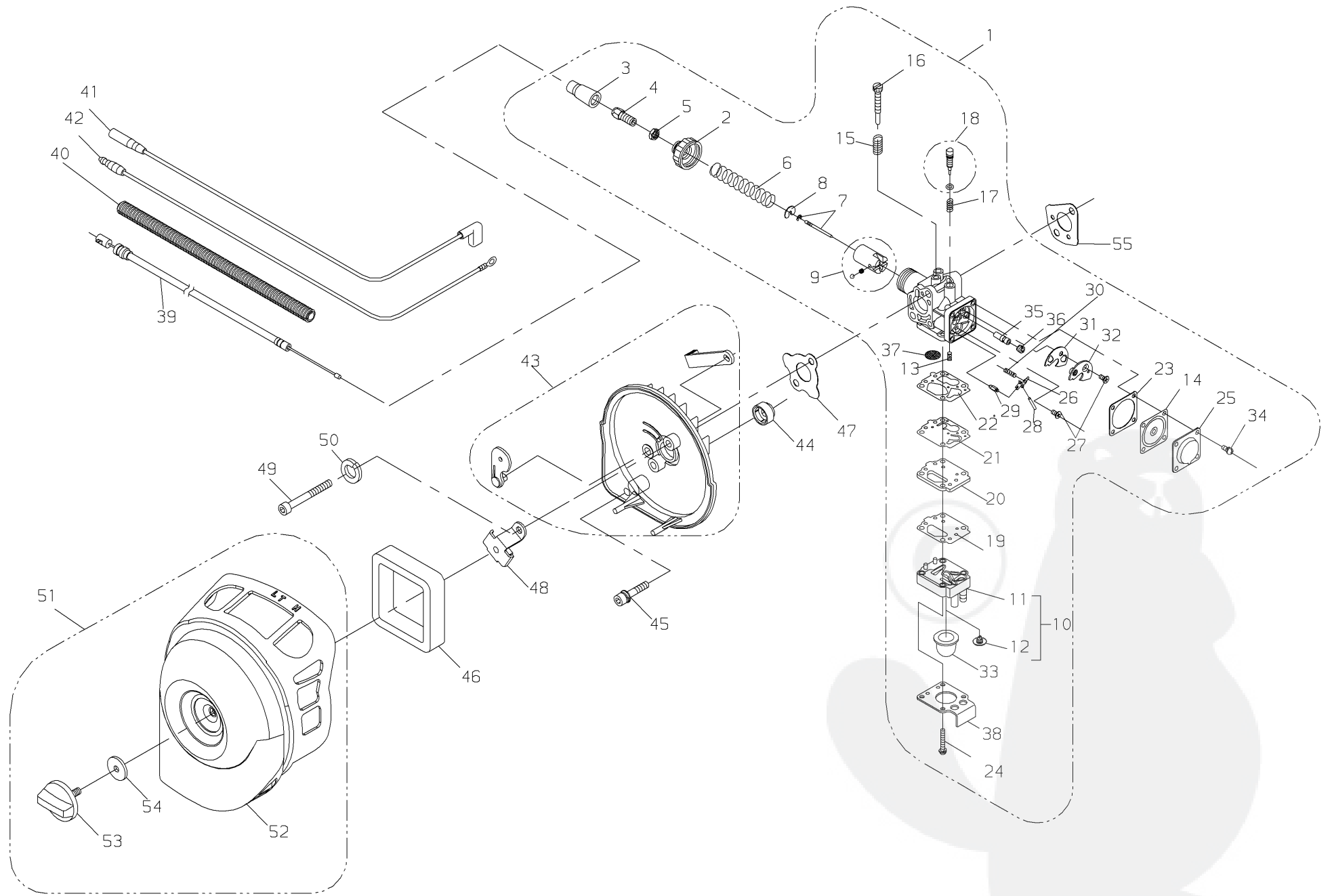












Ref. No	Part No.	Part Name	Qty	Remarks, Serial No.
6- 1	62107-81010	CARBURETOR ASSY.	1	
2	62083-81310	*BODY CAP	1	
3	72920-81130	*ADJUSTER CAP	1	
4	20020-81110	*CABLE ADJUSTER	1	
5	20000-81260	*LOCK NUT	1	
6	20020-81140	*SPRING	1	
7	62107-81320	*JET NEEDLE	1	
8	20020-81150	*SPRING RECIEVE	1	
9	62035-81330	*THROTTLE VALVE	1	
10	62035-81340	*PUMP COVER ASSY.	1	
11	62035-81350	**PUMP COVER	1	
12	68501-81340	**VALVE	1	
13	62035-81360	*SPRING	1	
14	62035-81410	*DIAPHRAGM	1	
15	72920-81820	*SPRING	1	
16	20000-81310	*SLOW STOP SCREW	1	
17	20011-81360	*SPRING	1	
18	62107-81330	*MAIN ADJUST SCREW	1	
19	20019-81660	*GASKET	1	
20	20019-81610	*PUMP PLATE	1	
21	20019-81620	*DIAPHRAGM PUMP	1	
22	20019-81630	*GASKET	1	
23	62035-81370	*GASKET	1	
24	62035-81380	*SCREW	4	
25	20019-81670	*COVER DIAPHRAGM	1	
26	20011-81451	*LEVER	1	
27	20011-81470	*SCREW	2	
28	20011-81460	*PIN	1	
29	20019-81440	*NEEDLE VALVE	1	
30	20040-81430	*SPRING	1	
31	70210-81440	*PACKING	1	
32	70210-81451	*PLATE	1	
33	20087-81820	*PUMP	1	
34	20000-81540	*SCREW	4	
35	62035-81420	*NEEDLE JET	1	
36	70210-81420	*HOLDER	1	
37	68501-81480	*SCREEN	1	
38	62035-81390	*PUMP PLATE	1	
39	62035-83111	THROTTLE CABLE	1	
40	33013-62311	TUBE	1	



