

Shindaiwa Illustrated Parts List

BP45 CE Brushcutter

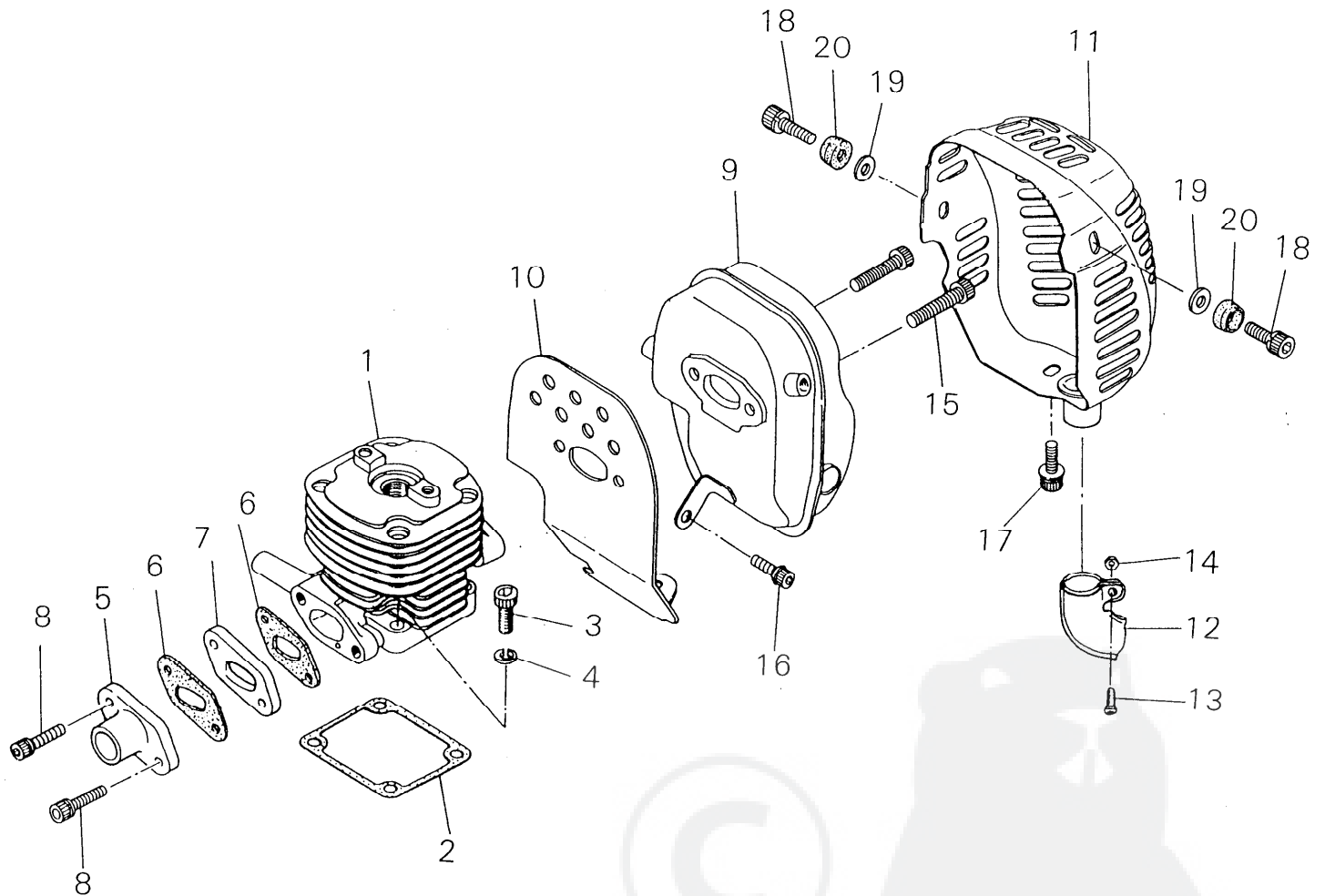
| | |
|--|-------|
| CYLINDER / MUFFLER | 2 |
| CRANKCASE / FAN COVER / CYLINDER COVER | 3 |
| PISTON / CRANKSHAFT / CLUTCH SHOE | 4 |
| ROTOR / COIL ASSEMBLY | 5 |
| CARBURETOR / CLEANER | 6 - 7 |
| FUEL TANK / FILTER / BAND ASSEMBLY | 8 - 9 |
| RECOIL STARTER | 10 |
| OUTER PIPE / THROTTLE LEVER | 11 |
| GEARCASE | 12 |
| BRACKET ASSEMBLY / HANDLE ASSEMBLY | 13 |
| PULLER ASSEMBLY / ROD BUSHING | 14 |
| TOOL SET | 15 |

www.shindaiwa.com
11975 SW Herman Road
Tualatin, Oregon 97062, U.S.A.
1 + 503.692.3070 • fax 1 + 503.692.6696 •

shindaiwa

CYLINDER / MUFFLER

ILLUSTRATION 1 - REV 11/02

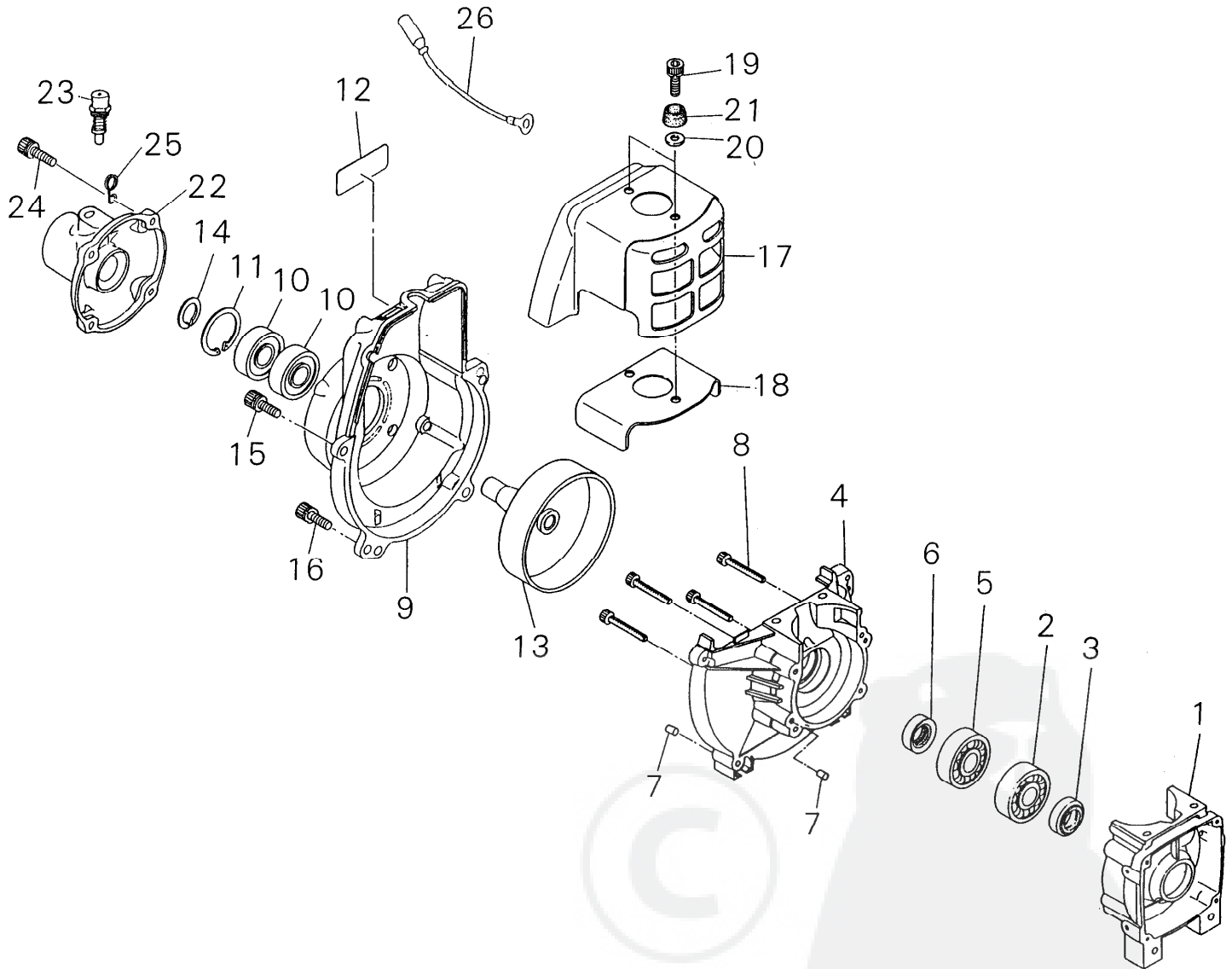


| Ref. No | Part No. | Part Name | Q'ty |
|---------|-------------|------------------|------|
| 1-1 | 70198-12110 | CYLINDER | 1 |
| 2 | 20010-12120 | GASKET CYLINDER | 1 |
| 3 | 01020-05250 | BOLT | 4 |
| 4 | 01600-05131 | SPRING WASHER | 4 |
| 5 | 20051-12211 | INLET PIPE | 1 |
| 6 | 20051-12220 | GASKET INSULATOR | 2 |
| 7 | 20051-12230 | INSULATOR | 1 |
| 8 | 11022-05250 | BOLT SPW | 2 |
| 9 | 70199-15110 | MUFFLER | 1 |
| 10 | 70210-15211 | GASKET | 1 |

| Ref. No | Part No. | Part Name | Q'ty |
|---------|-------------|---------------|------|
| 11 | 70199-15312 | MUFFLER GUARD | 1 |
| 12 | 20050-15410 | TAILPIPE | 1 |
| 13 | 11203-04100 | SCREW PM | 1 |
| 14 | 01500-04031 | NUT | 1 |
| 15 | 01020-06250 | BOLT | 2 |
| 16 | 11024-05120 | BOLT SLPW | 1 |
| 17 | 11024-05100 | BOLT SLPW | 1 |
| 18 | 11020-05100 | BOLT SW | 2 |
| 19 | 70196-32150 | WASHER | 2 |
| 20 | 70196-32160 | COVER | 2 |

CRANKCASE / FAN COVER / CYLINDER COVER

ILLUSTRATION 2 - REV 11/02



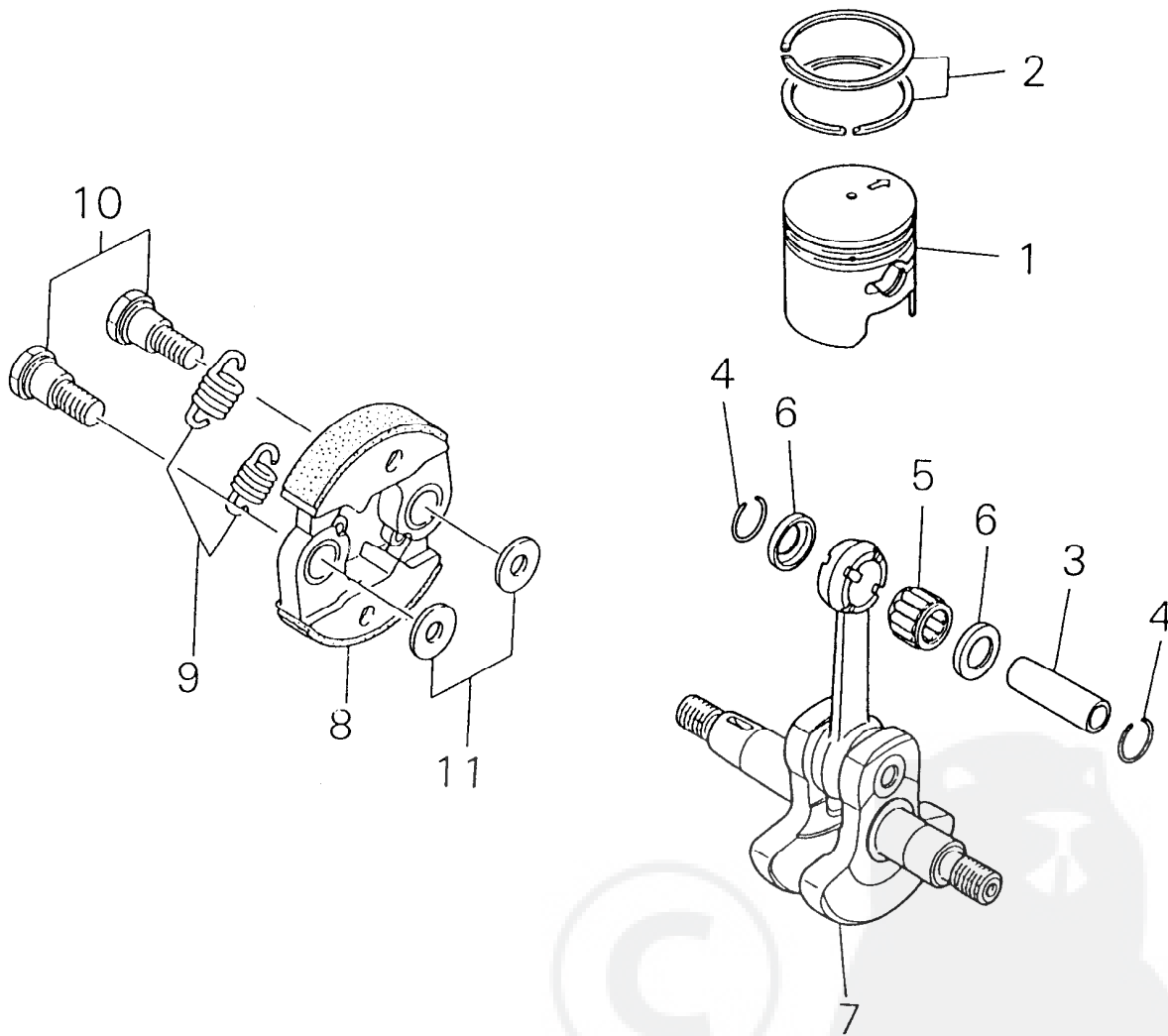
| Ref. No | Part No. | Part Name | Q'ty |
|---------|-------------|------------------|------|
| 2- | 20051-21100 | CRANKCASE S COMP | 1 |
| 1 | 20051-21110 | *CRANKCASES | 1 |
| 2 | 12900-62020 | *BEARING | 1 |
| 3 | 20010-21211 | *OIL SEAL | 1 |
| | 20051-21200 | CRANKCASE M COMP | 1 |
| 4 | 70012-21121 | *CRANKCASE M | 1 |
| 5 | 12900-62020 | *BEARING | 1 |
| 6 | 20010-21211 | *OIL SEAL | 1 |
| 7 | 12492-50100 | *ROLLER | 4 |
| 8 | 01020-05300 | BOLT | 4 |
| 9 | 70012-31111 | FAN COVER | 1 |
| 10 | 02006-06002 | BEARING | 2 |
| 11 | 02432-32120 | SNAP RING | 1 |
| 12 | 70112-31150 | NAMEPLATE | 1 |

| Ref. No | Part No. | Part Name | Q'ty |
|---------|-------------|----------------|------|
| 13 | 20050-31210 | CLUTCH DRUM | 1 |
| 14 | 20011-31230 | SNAP RING | 1 |
| 15 | 11022-05200 | BOLT SPW | 2 |
| 16 | 11022-05350 | BOLT SPW | 2 |
| 17 | 70196-32110 | CYLINDER COVER | 1 |
| 18 | 70196-32141 | GASKET | 1 |
| 19 | 11020-05140 | BOLT SW | 2 |
| 20 | 70196-32150 | WASHER | 2 |
| 21 | 70196-32160 | COVER | 1 |
| 22 | 20051-35130 | JOINT CASE | 1 |
| 23 | 20112-35200 | PIN COMP | 1 |
| 24 | 11022-05200 | BOLT SPW | 4 |
| 25 | 20024-83152 | CABLE HOLDER | 1 |
| 26 | 70056-83140 | EARTH CORD B | 1 |

* Denotes item is part of an assembly ** Denotes item is part of a sub-assembly

PISTON / CRANKSHAFT / CLUTCH SHOE

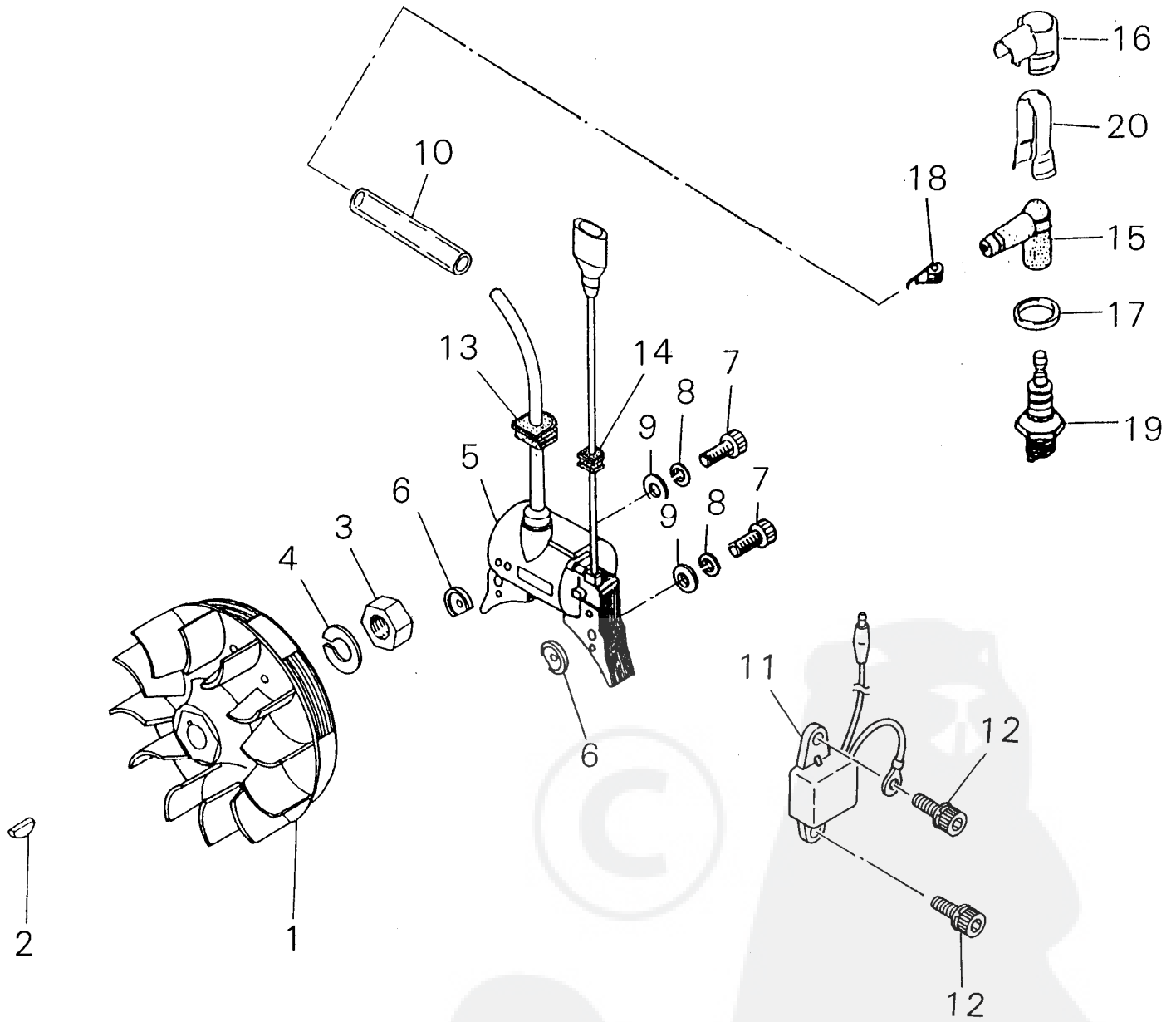
ILLUSTRATION 3 - REV 11/02



| Ref. No | Part No. | Part Name | Q'ty |
|---------|-------------|----------------------|------|
| 3-1 | 20021-41112 | PISTON | 1 |
| 2 | 20021-41210 | PISTON RING | 2 |
| 3 | 20021-41311 | PISTON PIN | 1 |
| 4 | 22152-41231 | SNAP RING | 2 |
| 5 | 20021-41330 | BEARING SE | 1 |
| 6 | 20021-41341 | THRUST WASHER | 2 |
| 7 | 20021-42002 | CRANKSHAFT ASSEMBLY | 1 |
| | 20050-51102 | CLUTCH SHOE ASSEMBLY | 1 |
| 8 | 20050-51111 | *CLUTCH SHOE | 2 |
| 9 | 20050-51121 | *CLUTCH SPRING | 2 |
| 10 | 20010-51130 | *CLUTCH BOLT | 2 |
| 11 | 20010-51141 | *WASHER | 2 |

ROTOR / COIL ASSEMBLY

ILLUSTRATION 4 - REV 11/02



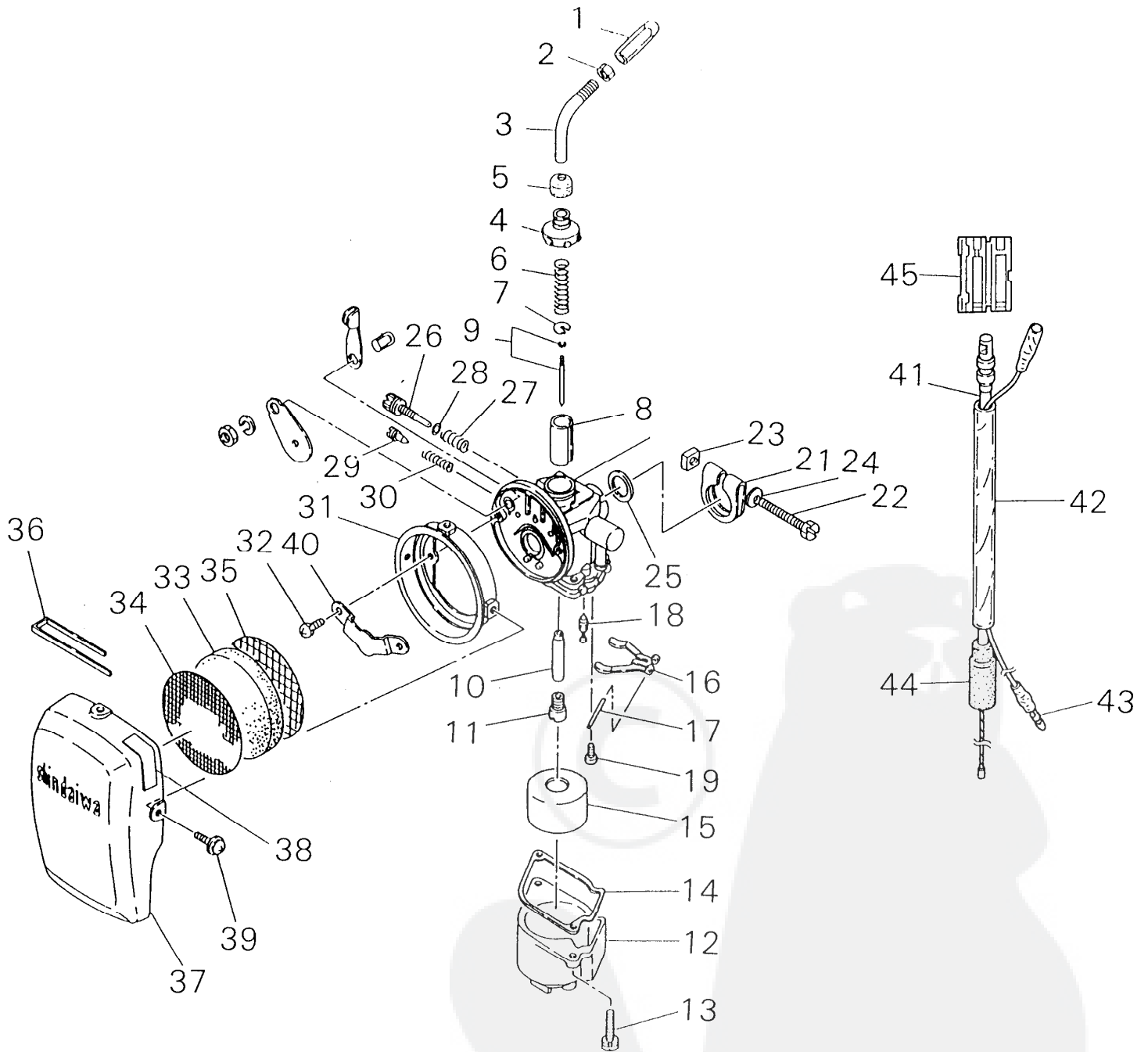
| Ref. No | Part No. | Part Name | Q'ty |
|---------|-------------|---------------|------|
| 4-1 | 20010-71201 | ROTOR | 1 |
| 2 | 02403-03100 | KEY | 1 |
| 3 | 01511-10061 | NUT | 1 |
| 4 | 01600-10251 | SPRING WASHER | 1 |
| 5 | 20011-71611 | COIL | 1 |
| 6 | 20010-71631 | SPACER COIL | 2 |
| 7 | 01020-04260 | BOLT | 2 |
| 8 | 01600-04101 | SPRING WASHER | 2 |
| 9 | 20010-71650 | WASHER | 2 |
| 10 | 20011-71660 | TUBE | 1 |

| Ref. No | Part No. | Part Name | Q'ty |
|---------|-------------|------------------|------|
| 11 | 72920-71711 | UNIT | 1 |
| 12 | 11024-04120 | BOLT SPW | 2 |
| 13 | 20011-72110 | GROMMET | 1 |
| 14 | 20011-72120 | GROMMET | 2 |
| 15 | 20010-72221 | PLUG CAP | 1 |
| 16 | 20000-72241 | PLUG CAP COVER | 1 |
| 17 | 20000-72250 | COVER BAND | 1 |
| 20 | 70180-72260 | SHIELD | 1 |
| 18 | 20000-72230 | SPRING SPARKPLUG | 1 |
| 19 | 13000-13406 | SPARKPLUG BMR6A | 1 |

* Denotes item is part of an assembly ** Denotes item is part of a sub-assembly

CARBURETOR / CLEANER

ILLUSTRATION 6 - REV 11/02



CARBURETOR / CLEANER

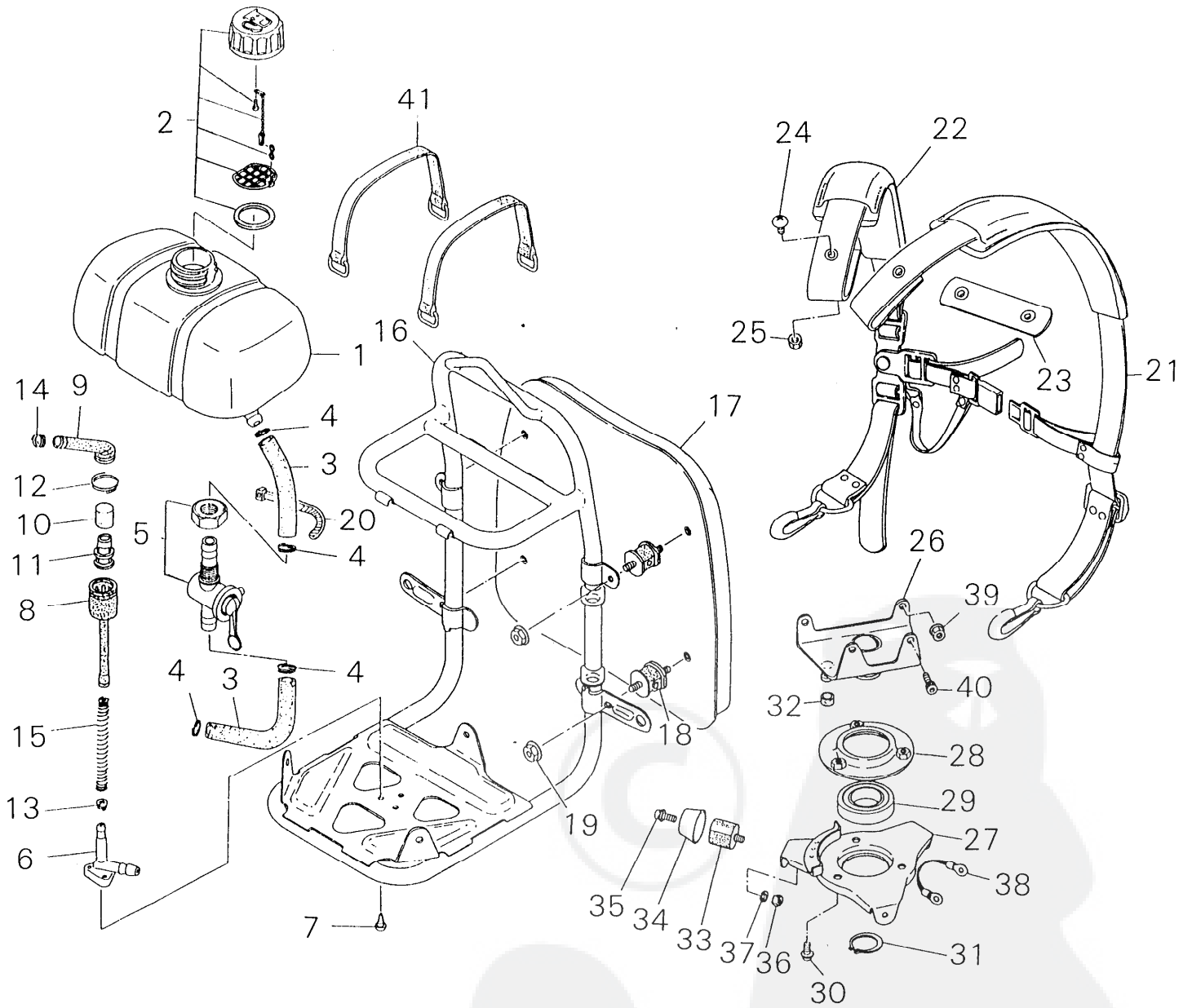
ILLUSTRATION 6 - REV 11/02

| Ref. No | Part No. | Part Name | Q'ty |
|---------|-------------|-------------------------|------|
| 6- | 70167-81020 | CARBURETOR SUB ASSEMBLY | 1 |
| 1 | 20055-81810 | *CABLE ADJUSTER | 1 |
| 2 | 20000-81260 | *LOCKNUT | 1 |
| 3 | 20055-81830 | *ADJUST PIPE | 1 |
| 4 | 20055-81120 | *BODY CAP | 1 |
| 5 | 20055-81130 | *CAP | 1 |
| 6 | 20003-81140 | *THROTTLE SPRING | 1 |
| 7 | 20000-81150 | *SPRING RECEIVE | 1 |
| 8 | 70112-81180 | *THROTTLE VALVE | 1 |
| 9 | 20055-81212 | *JET NEEDLE | 1 |
| 10 | 20055-81232 | *NEEDLE JET | 1 |
| 11 | 20045-81240 | *MAINJET | 1 |
| 12 | 20051-81311 | *FLOAT CHAMBER | 1 |
| 13 | 20014-81320 | *SCREW | 2 |
| 14 | 20014-81330 | *PACKING | 1 |
| 15 | 20014-81340 | *FLOAT | 1 |
| 16 | 20014-81350 | *FLOAT HINGE | 1 |
| 17 | 20014-81360 | *HINGE PIN | 1 |
| 18 | 20014-81381 | *NEEDLE VALVE | 1 |
| 19 | 20014-81390 | *SCREW | 1 |
| 21 | 20014-81510 | *BAND | 1 |
| 22 | 20014-81521 | *BAND BOLT | 1 |

| Ref. No | Part No. | Part Name | Q'ty |
|---------|-------------|------------------|------|
| 23 | 20014-81530 | *NUT | 1 |
| 24 | 20014-81540 | *WASHER | 1 |
| 25 | 20010-81570 | *FLANGE PACKING | 1 |
| 26 | 20014-81810 | *SLOW STOP SCREW | 1 |
| 27 | 20010-81820 | *ADJUST SPRING | 1 |
| 28 | 20014-81830 | *O-RING | 1 |
| 29 | 20000-81330 | *SLOW AIR SCREW | 1 |
| 30 | 20000-81340 | *SPRING | 1 |
| 31 | 20010-81711 | CLEANER BODY | 1 |
| 32 | 20000-81730 | SCREW | 2 |
| 33 | 20000-81740 | FILTER | 1 |
| 34 | 20000-81750 | NET A | 1 |
| 35 | 20010-81760 | NET B | 1 |
| 36 | 20010-81781 | SPRING NET | 1 |
| 37 | 20010-81771 | CLEANER COVER | 1 |
| 38 | 19404-00008 | LABEL CHOKE | 1 |
| 39 | 20000-81735 | SCREW | 3 |
| 40 | 20014-81790 | PLATE | 1 |
| 41 | 70056-83200 | THROTTLE CABLE B | 1 |
| 42 | 20020-83120 | PIPE | 1 |
| 43 | 70056-83130 | EARTH CORD A | 1 |
| 44 | 20005-83160 | CABLE CAP | 1 |
| 45 | 70056-83190 | CONNECTOR | 1 |

FUEL TANK / FILTER / BAND ASSEMBLY

ILLUSTRATION 7 - REV 11/02



FUEL TANK / FILTER / BAND ASSEMBLY

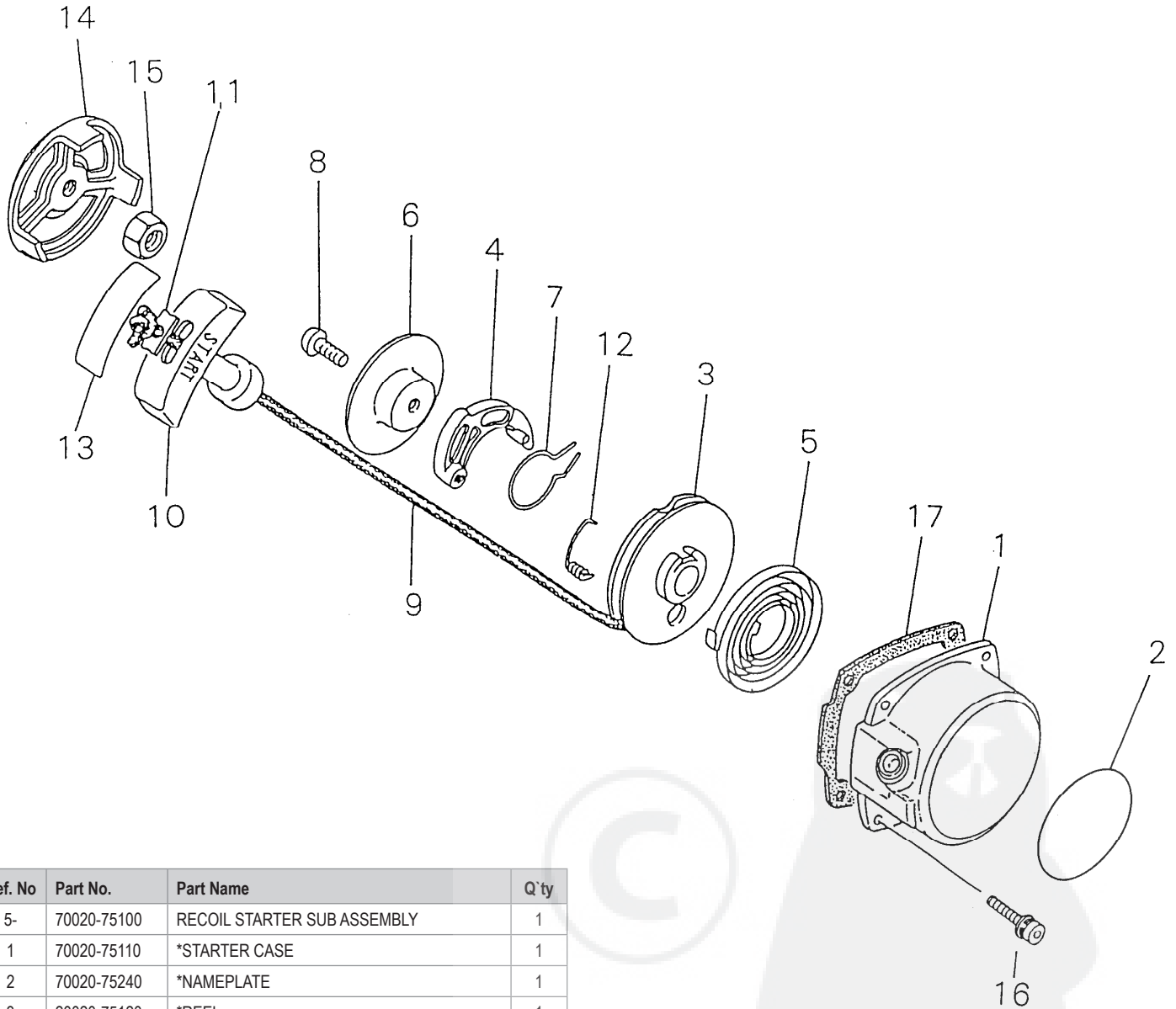
ILLUSTRATION 7 - REV 11/02

| Ref. No | Part No. | Part Name | Q'ty |
|---------|-------------|---------------------|------|
| 7- 1 | 20051-85110 | FUEL TANK | 1 |
| 2 | 70199-85202 | FUEL CAP ASSEMBLY | 1 |
| 3 | 70051-85410 | FUEL PIPE | 2 |
| 4 | 20051-85420 | CLIP | 4 |
| 5 | 20051-85300 | FUEL COCK ASSEMBLY | 1 |
| 6 | 20050-85461 | ELBOW | 1 |
| 7 | 11202-40100 | SCREW HILO 4X10 | 3 |
| | 70051-85502 | FILTER SUB ASSEMBLY | 1 |
| 8 | 20051-85510 | *FUEL PIPE | 1 |
| 9 | 70051-85521 | *FUEL PIPE A | 1 |
| | 22999-00001 | *FILTER SET# | 1 |
| 10 | 20051-85540 | **FILTER A | 1 |
| 11 | 20051-85531 | **FILTER | 1 |
| 12 | 20050-85580 | *CLIP | 1 |
| 13 | 20050-85560 | *CLIP | 1 |
| 14 | 20051-85570 | *CLIP A | 1 |
| 15 | 20051-85590 | *SPRING | 1 |
| 16 | 20051-86112 | FRAME | 1 |
| 17 | 20051-86120 | PAD | 1 |
| 18 | 20051-86160 | CUSHION 18K | 4 |
| 19 | 11526-05112 | FLANGE NUT | 4 |

| Ref. No | Part No. | Part Name | Q'ty |
|---------|-------------|---------------|------|
| 20 | 20000-83150 | CLAMP | 1 |
| 21 | 70199-86200 | BAND ASSEMBLY | 1 |
| 22 | 22044-17230 | *PROTECTOR | 2 |
| 23 | 20051-86320 | JOINT BAND | 1 |
| 24 | 01215-06140 | SCREW TRUSS | 2 |
| 25 | 22011-97840 | LOCKNUT | 2 |
| 26 | 20050-87110 | BRACKET A | 1 |
| 27 | 20050-87120 | BRACKET B | 1 |
| 28 | 20050-87131 | RETAINER | 1 |
| 29 | 02002-06005 | BEARING | 1 |
| 30 | 11206-05100 | SCREW PMSPW | 3 |
| 31 | 02430-25120 | SNAP RING | 1 |
| 32 | 20050-87150 | STOP CUSHION | 1 |
| 33 | 20050-87160 | CUSHION | 3 |
| 34 | 20050-87170 | MOUNT HOLDER | 3 |
| 35 | 11206-05100 | SCREW PMSPW | 3 |
| 36 | 01500-05041 | NUT | 3 |
| 37 | 01600-05131 | SPRING WASHER | 1 |
| 38 | 20051-87210 | EARTH CORD | 1 |
| 39 | 11526-05112 | FLANGE NUT | 2 |
| 40 | 11020-05120 | BOLT SW | 2 |
| 41 | 20020-86140 | BAND | 2 |

RECOIL STARTER

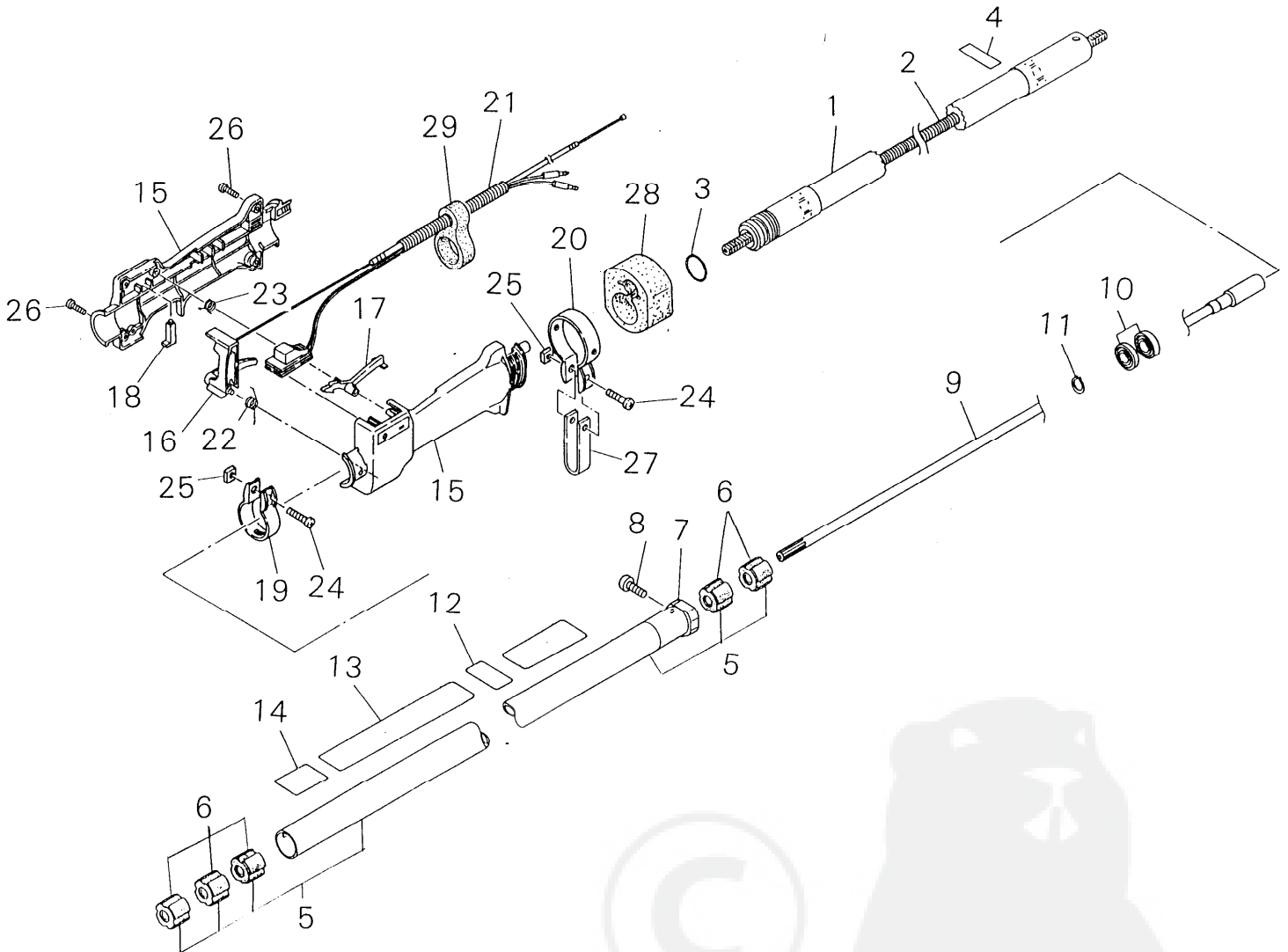
ILLUSTRATION 5 - REV 11/02



| Ref. No | Part No. | Part Name | Q'ty |
|---------|-------------|-----------------------------|------|
| 5- | 70020-75100 | RECOIL STARTER SUB ASSEMBLY | 1 |
| 1 | 70020-75110 | *STARTER CASE | 1 |
| 2 | 70020-75240 | *NAMEPLATE | 1 |
| 3 | 20020-75120 | *REEL | 1 |
| 4 | 20000-75130 | *RATCHET | 1 |
| 5 | 20020-75140 | *RECOIL SPRING | 1 |
| 6 | 20000-75150 | *PLATE FRICTION | 1 |
| 7 | 20000-75160 | *SPRING FRICTION | 1 |
| 8 | 20000-75170 | *SCREW | 1 |
| 9 | 20020-75180 | *ROPE | 1 |
| 10 | 20010-75190 | *STARTER KNOB | 1 |
| 11 | 20010-75210 | *STOPPER | 1 |
| 12 | 20000-75220 | *RETURN SPRING | 1 |
| 13 | 20010-75230 | *TAPE | 1 |
| 14 | 70000-75230 | STARTER PULLEY | 1 |
| 15 | 20000-76210 | NUT | 1 |
| 16 | 11022-04160 | BOLT SPW | 4 |
| 17 | 20020-76110 | GASKET STARTER | 1 |

OUTER PIPE / THROTTLE LEVER

ILLUSTRATION 8 - REV 11/02



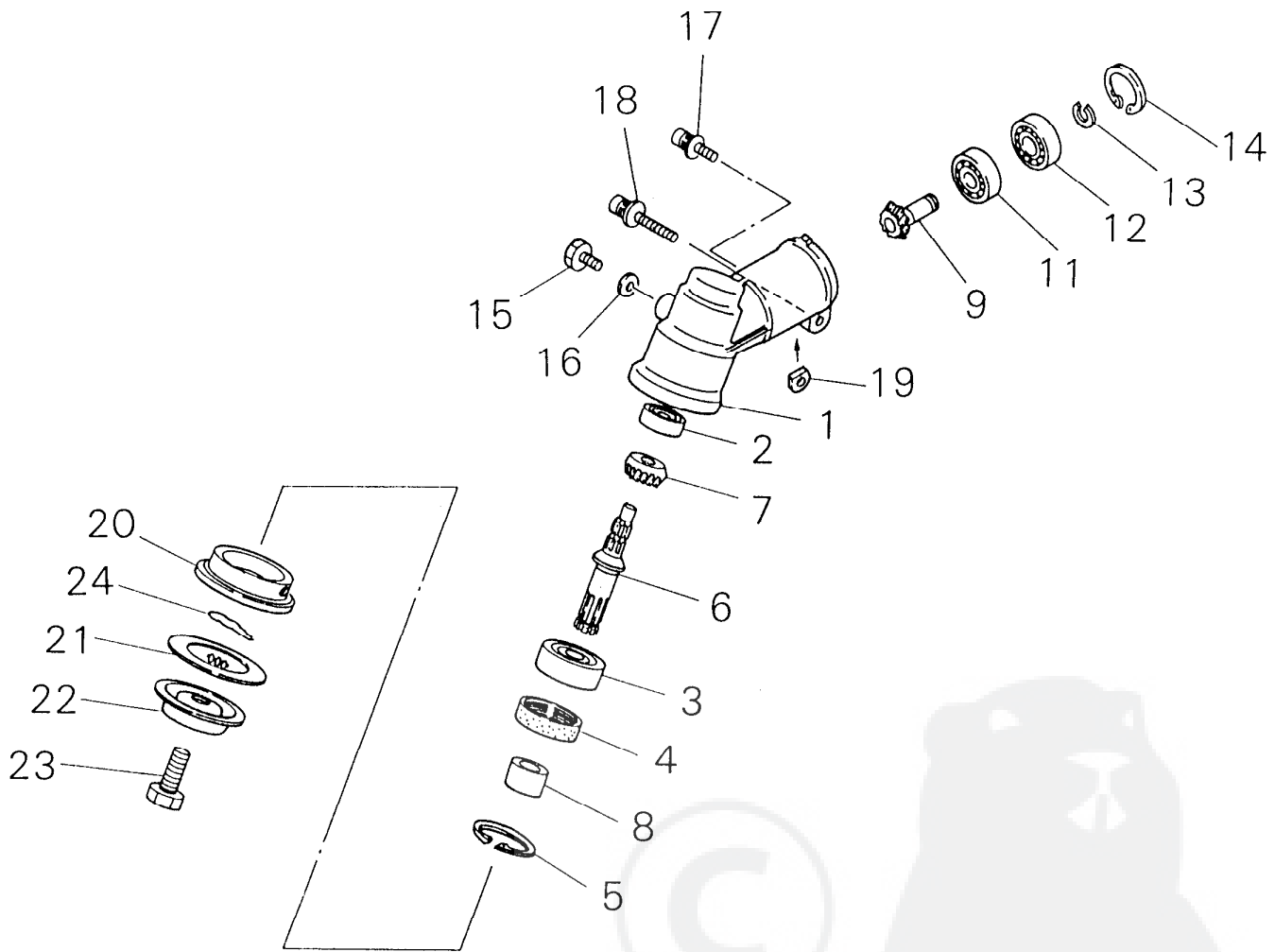
| Ref. No | Part No. | Part Name | Q'ty |
|---------|-------------|-------------------------|------|
| 8- | 72517-11103 | FLEXIBLE SET | 1 |
| 1 | 72517-11111 | *FLEXIBLE PIPE | 1 |
| 2 | 72517-11121 | *FLEXIBLE SHAFT | 1 |
| 3 | 22056-11140 | *O-RING | 1 |
| 4 | 72051-11150 | CAUTION PLATE | 1 |
| 5 | 72517-12100 | OUTER PIPE SUB ASSEMBLY | 1 |
| 6 | 22000-12120 | *BUSHING | 5 |
| 7 | 72517-12130 | JOINT PIPE | 1 |
| 8 | 22056-12340 | SCREW | 1 |
| 9 | 72517-12410 | MAINSHAFT | 1 |
| 10 | 02002-06900 | BEARING | 2 |
| 11 | 02430-10100 | SNAP RING | 1 |
| 12 | 72017-12150 | HANDLE LABEL | 1 |
| 13 | 19422-00010 | LABEL CAUTION | 1 |
| 14 | 19402-00223 | LABEL CAUTION | 1 |
| | 72517-12702 | THROTTLE LEVER ASSEMBLY | 1 |

| Ref. No | Part No. | Part Name | Q'ty |
|---------|-------------|----------------------|------|
| 15 | 72430-12800 | *BODY SUB ASSEMBLY | 1 |
| 16 | 72430-12730 | *LEVER | 1 |
| 17 | 72430-12740 | *LOCK LEVER | 1 |
| 18 | 72451-14550 | *BUTTON | 1 |
| 19 | 72451-14560 | *CLAMP | 1 |
| 20 | 72430-12750 | *CLAMP | 1 |
| 21 | 72517-12762 | *THROTTLE CABLE COMP | 1 |
| 22 | 72451-14580 | *RETURN SPRING | 1 |
| 23 | 72451-14590 | *SPRING | 1 |
| 24 | 11203-06200 | *SCREW | 2 |
| 25 | 72451-14610 | *NUT | 2 |
| 26 | 72451-14620 | *SCREW TAPPING | 4 |
| 27 | 72517-12180 | STAND | 1 |
| 28 | 72517-12190 | HOLDER | 1 |
| 29 | 20079-83140 | CABLE HOLDER | 1 |

* Denotes item is part of an assembly ** Denotes item is part of a sub-assembly

GEARCASE

ILLUSTRATION 9 - REV 11/02

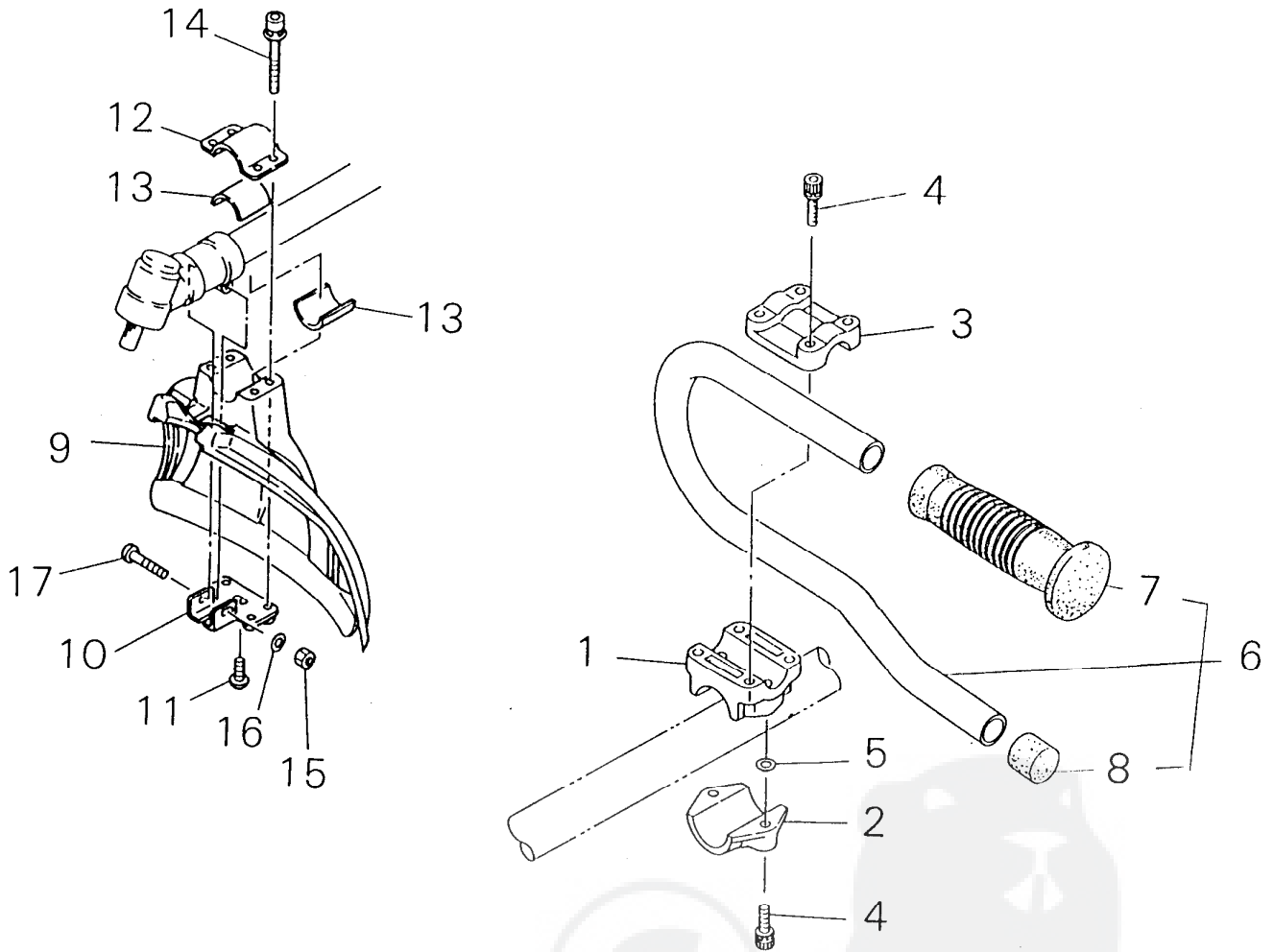


| Ref. No | Part No. | Part Name | Q'ty |
|---------|-------------|-----------------------|------|
| 9- | 72435-13013 | GEARCASE SUB ASSEMBLY | 1 |
| 1 | 72435-13112 | *GEARCASE | 1 |
| 2 | 02046-00609 | *BEARING | 1 |
| 3 | 02000-06201 | *BEARING | 1 |
| 4 | 22024-13121 | *OIL SEAL | 1 |
| 5 | 02432-32120 | *SNAP RING | 1 |
| 6 | 72435-13210 | *GEARSHAFT | 1 |
| 7 | 22024-13220 | *BEVEL GEAR | 1 |
| 8 | 22000-13230 | *COLLAR | 1 |
| 9 | 22024-13391 | *PINION SET | 1 |
| 11 | 02000-06901 | *BEARING | 1 |
| 12 | 02002-06901 | *BEARING | 1 |

| Ref. No | Part No. | Part Name | Q'ty |
|---------|-------------|------------|------|
| 13 | 20000-31140 | *SNAP RING | 1 |
| 14 | 02432-24120 | *SNAP RING | 1 |
| 15 | 22015-13410 | *BOLT | 1 |
| 16 | 22015-13420 | *GASKET | 1 |
| 17 | 11022-05160 | *BOLT SPW | 1 |
| 18 | 11022-06280 | *BOLT SPW | 1 |
| 19 | 22011-13450 | *SHIM | 1 |
| 20 | 22024-13912 | HOLDER A | 1 |
| 21 | 72435-13920 | HOLDER B | 1 |
| 22 | 22024-13291 | BOLT GUARD | 1 |
| 23 | 22000-13512 | BOLT | 1 |
| 24 | 22000-13530 | SLIDE PIN | 1 |

BRACKET ASSEMBLY / HANDLE ASSEMBLY

ILLUSTRATION 11 - REV 11/02

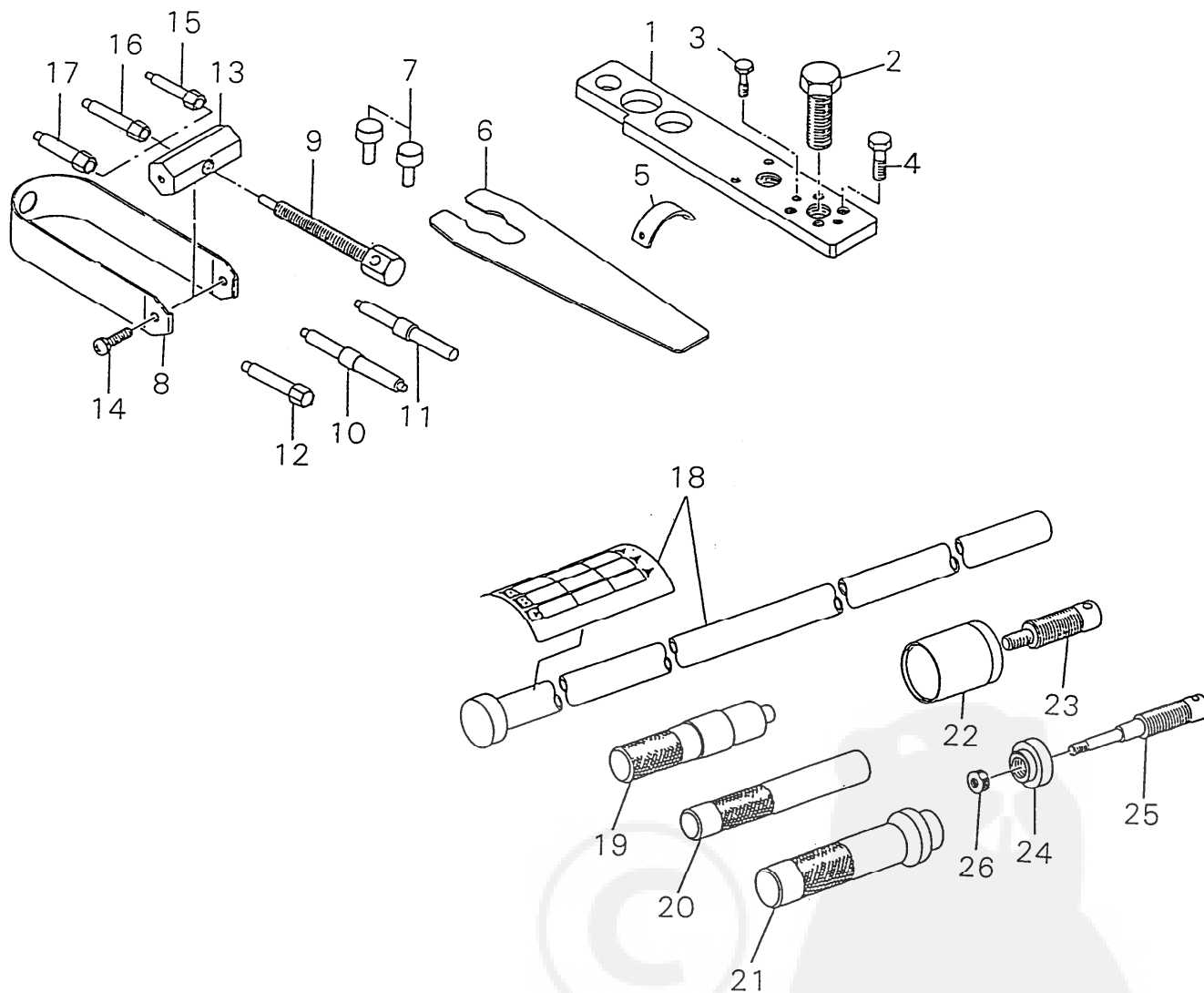


| Ref. No | Part No. | Part Name | Q'ty |
|---------|-------------|----------------------|------|
| 11- | 72091-14100 | BRACKET SUB ASSEMBLY | 1 |
| 1 | 72051-14110 | *HANDLE BRACKET | 1 |
| 2 | 72051-14120 | *LOWER CAP | 1 |
| 3 | 72051-14131 | *UPPER CAP | 1 |
| 4 | 11022-05250 | *BOLT SPW | 6 |
| 5 | 01610-05080 | *WASHER | 1 |
| 6 | 72430-14200 | HANDLE SUB ASSEMBLY | 1 |
| 7 | 22421-14230 | *GRIP | 1 |
| 8 | 72430-14270 | *CAP | 1 |
| 9 | 72480-16113 | GUARD | 1 |
| 10 | 72441-16130 | LOWER CLAMP | 1 |
| 11 | 11202-40100 | SCREW HILO 4X10 | 1 |
| 12 | 72480-16210 | UPPER CLAMP | 1 |
| 13 | 72441-16220 | SPACER | 2 |
| 14 | 11022-05450 | BOLT SPW | 4 |
| 15 | 01500-06051 | NUT | 1 |
| 16 | 01613-06100 | WASHER | 1 |
| 17 | 11022-06400 | BOLT SPW | 1 |

* Denotes item is part of an assembly ** Denotes item is part of a sub-assembly

PULLER ASSEMBLY / ROD BUSHING

ILLUSTRATION 12 - REV 11/02

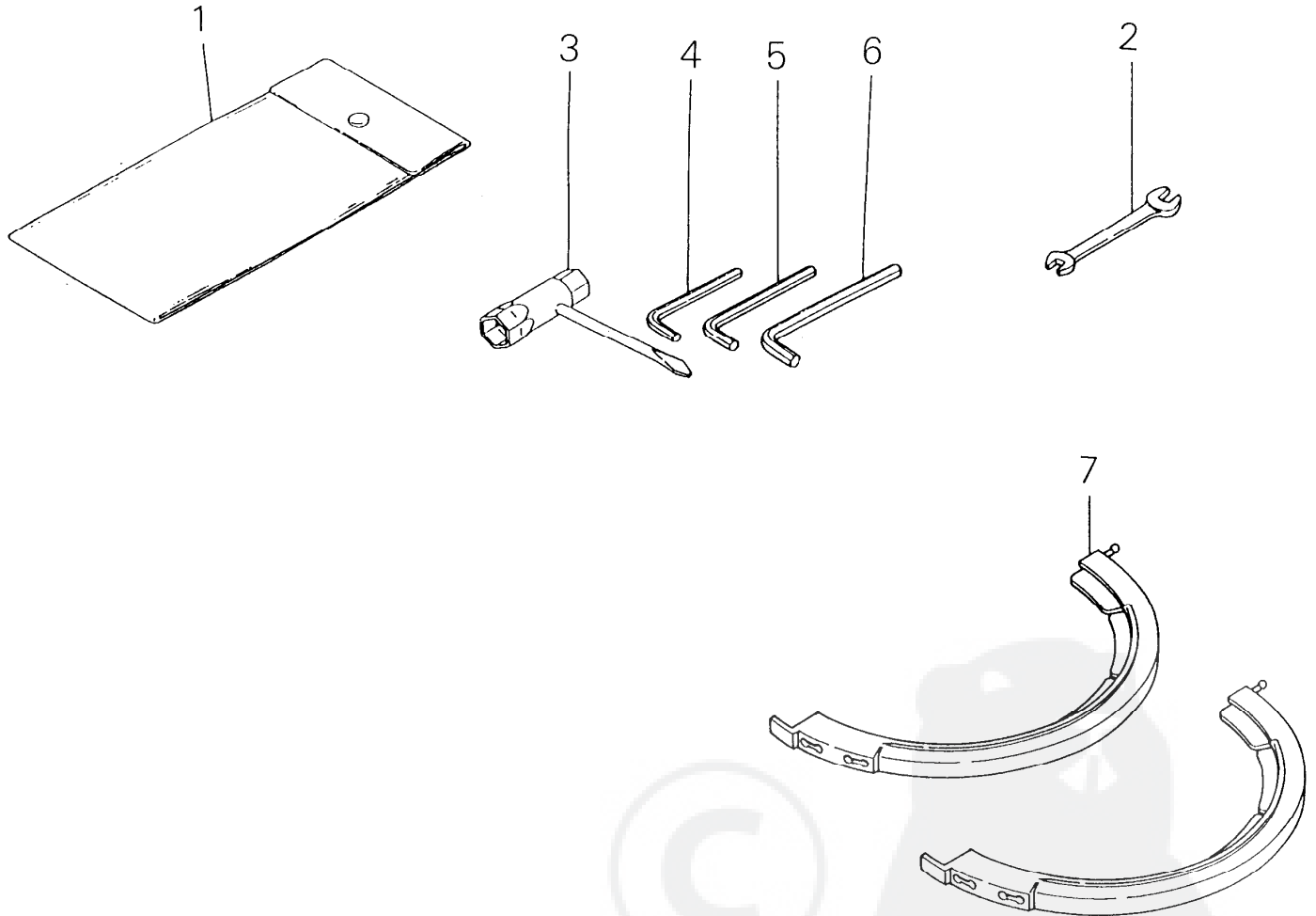


| Ref. No | Part No. | Part Name | Q'ty |
|---------|-------------|-----------------|------|
| 12- | 20000-96104 | PULLER ASSEMBLY | 1 |
| 1 | 20000-96114 | *LEVER | 1 |
| 2 | 22100-96121 | *CENTER BOLT | 1 |
| 3 | 20000-96130 | *BOLT | 3 |
| 4 | 20000-96140 | *BOLT | 2 |
| 5 | 20000-96210 | AIR GAP GAUGE | 1 |
| 6 | 20000-96411 | ROTOR SPANNER | 1 |
| 7 | 20021-96420 | STOPPER | 2 |
| | 20021-96601 | PULLER ASSEMBLY | 1 |
| 8 | 20021-96611 | *PULLER | 1 |
| 9 | 20021-96621 | *BOLT | 1 |
| 10 | 20000-96631 | *GUIDE PIN | 1 |
| 11 | 20035-96630 | *GUIDE PIN | 1 |
| 12 | 20021-96630 | GUIDE PIN | 1 |
| 13 | 20000-96640 | BOSS | 1 |

| Ref. No | Part No. | Part Name | Q'ty |
|---------|-------------|----------------------|------|
| 14 | 01211-06120 | SCREW SW | 2 |
| 15 | 20021-96650 | PIN ADAPTER | 1 |
| 16 | 20021-96660 | PIN ADAPTER | 1 |
| 17 | 20021-96670 | PIN ADAPTER | 1 |
| 18 | 22000-96101 | ROD BUSHING ASSEMBLY | 1 |
| 19 | 22000-96210 | ROD 6000DDU | 1 |
| 20 | 22000-96310 | ROD 6000ZZ | 1 |
| 21 | 22000-96410 | ROD 6201 | 1 |
| | 22000-96501 | PULLER ASSEMBLY | 1 |
| 22 | 22000-96510 | *HOLDER | 1 |
| 23 | 22000-96521 | *BOLT | 1 |
| | 22000-96600 | PULLER SUB ASSEMBLY | 1 |
| 24 | 22000-96610 | *HOLDER | 1 |
| 25 | 22000-96621 | *BOLT | 1 |
| 26 | 22000-96630 | *NUT | 1 |

TOOL SET

ILLUSTRATION 10 - REV 11/02



| Ref. No | Part No. | Part Name | Q'ty |
|---------|-------------|---------------|------|
| 10- | 72512-91000 | TOOLSET | 1 |
| 1 | 19610-02100 | *TOOLBAG | 1 |
| 2 | 22000-91120 | *SPANNER | 1 |
| 3 | 22000-91181 | *PLUG WRENCH | 1 |
| 4 | 09026-03001 | *HEX A WRENCH | 1 |
| 5 | 09026-04001 | *HEX A WRENCH | 1 |
| 6 | 09026-05001 | *HEX A WRENCH | 1 |
| 7 | 19601-00300 | BLADE COVER | 1 |

* Denotes item is part of an assembly ** Denotes item is part of a sub-assembly



shindaiwa

www.shindaiwa.com

11975 SW Herman Road, Tualatin, Oregon 97062, U.S.A.

1 + 503.692.3070 • fax 1 + 503.692.6696 •

Item #xxxx Effective 11/02