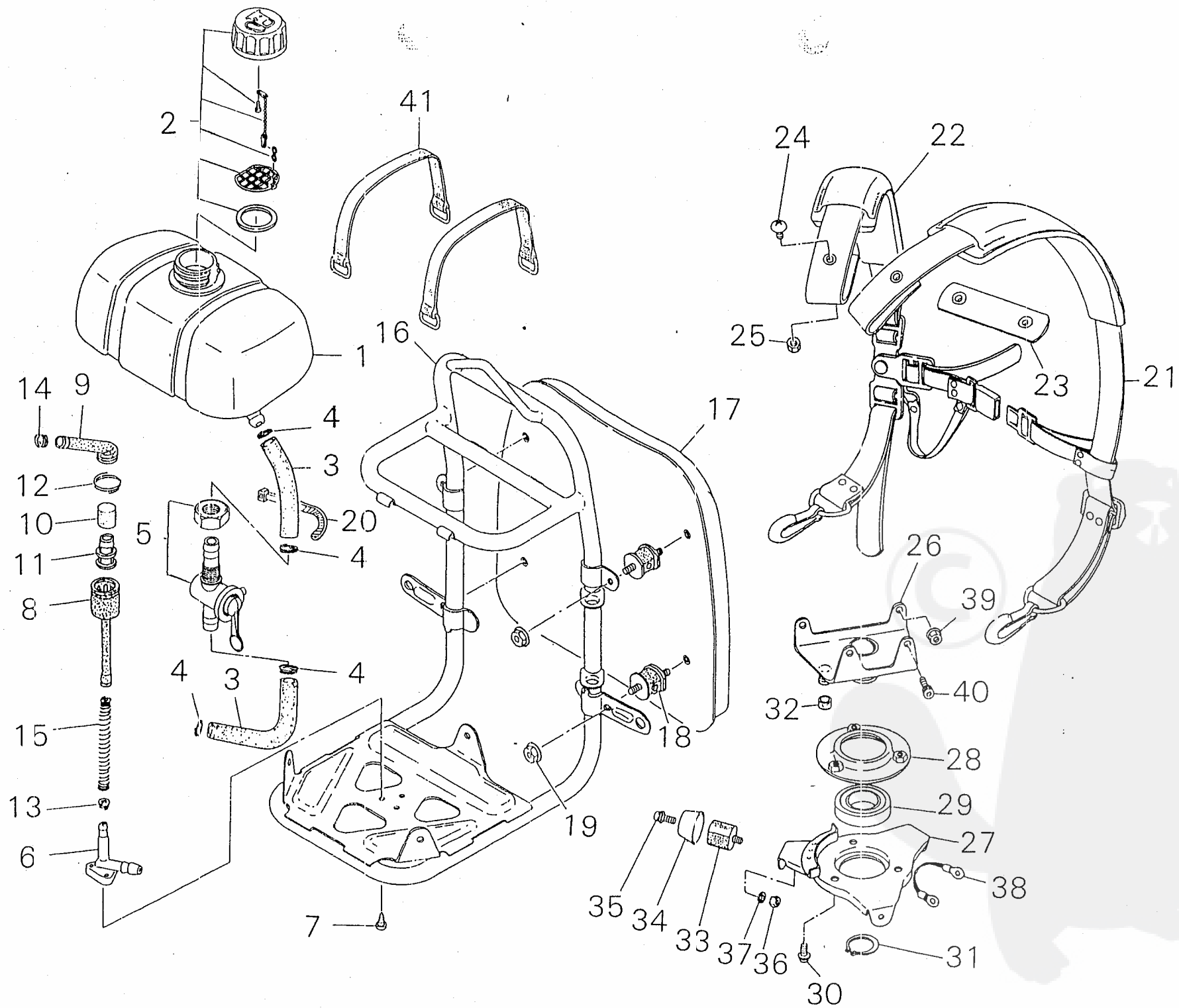


PRICE:(¥)

Ref. No	Part No.	Part Name	Q'ty	Remarks
6-	70167-81020	CARBURETOR SUB ASSY	1	
1	20055-81810	• CABLE ADJUSTER	1	
2	20000-81260	• LOCK NUT	1	
3	20055-81830	• ADJUST PIPE	1	
4	20055-81120	• BODY CAP	1	
5	20055-81130	• CAP	1	
6	20003-81140	• THROTTLE SPRING	1	
7	20000-81150	• SPRING RECEIVE	1	
8	70112-81180	• THROTTLE VALVE	1	
9	20055-81212	• JET NEEDLE	1	
10	20055-81232	• NEEDLE JET	1	
11	20045-81240	• MAIN JET	1	
12	20051-81311	• FLOAT CHAMBER	1	
13	20014-81320	• SCREW	2	
14	20014-81330	• PACKING	1	
15	20014-81340	• FLOAT	1	
16	20014-81350	• FLOAT HINGE	1	
17	20014-81360	• HINGE PIN	1	
18	20014-81381	• NEEDLE VALVE	1	
19	20014-81390	• SCREW	1	
21	20014-81510	• BAND	1	
22	20014-81521	• BAND BOLT	1	
23	20014-81530	• NUT	1	
24	20014-81540	• WASHER	1	
25	20010-81570	• FLANGE PACKING	1	
26	20014-81810	• SLOW STOP SCREW	1	
27	20010-81820	• ADJUST SPRING	1	
28	20014-81830	• O RING	1	
29	20000-81330	• SLOW AIR SCREW	1	
30	20000-81340	• SPRING	1	
31	20010-81711	CLEANER BODY	1	
32	20000-81730	SCREW	2	
33	20000-81740	FILTER	1	
34	20000-81750	NET A	1	
35	20010-81760	NET B	1	
36	20010-81781	SPRING NET	1	
37	20010-81771	CLEANER COVER	1	
38	19404-00008	LABEL CHOKE	1	

PARTS LIST
SHINDAIWA
(LI38 LIA0380P)

BP45/CE

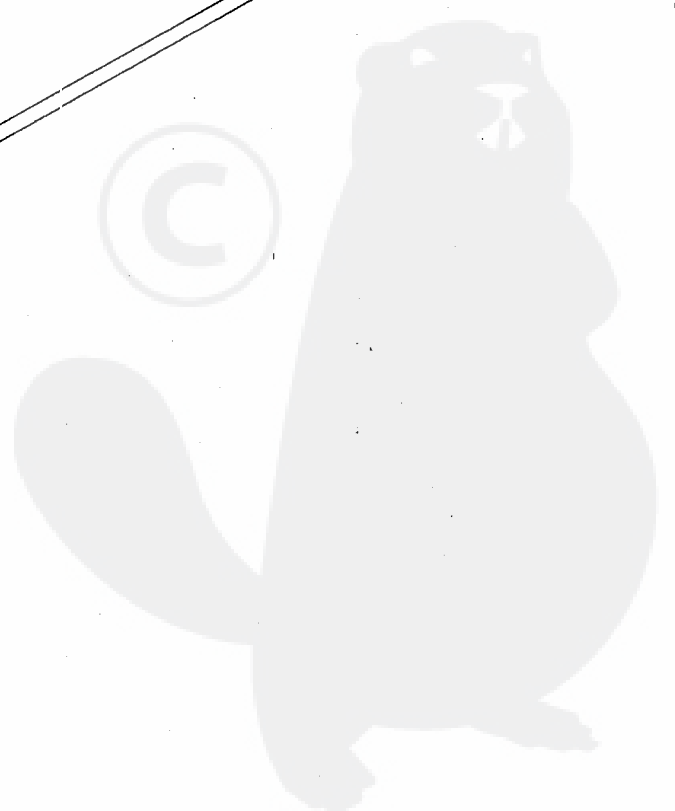
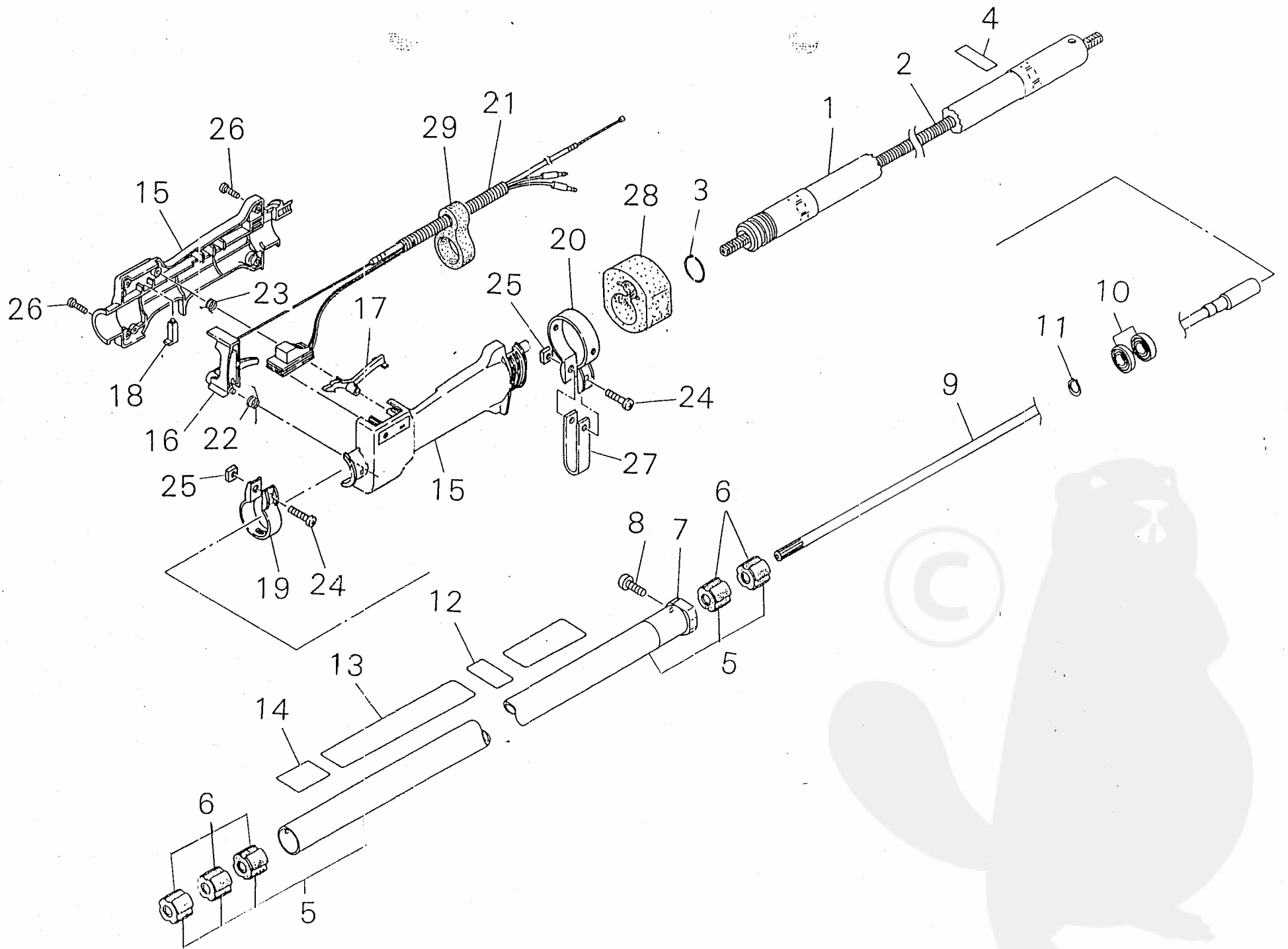


PRICE: (¥)

Ref. No	Part No.	Part Name	Q'ty	Remarks
7- 1	20051-85110	FUEL TANK	1	
2	70199-85202	FUEL CAP ASSY	1	
3	70051-85410	FUEL PIPE	2	
4	20051-85420	CLIP	4	
5	20051-85300	FUEL COCK ASSY	1	
6	20050-85461	ELBOW	1	
7	11202-40100	SCREW HILO 4X10	3	
	70051-85502	FILTER SUB ASSY	1	
8	20051-85510	• FUEL PIPE	1	
9	70051-85521	• FUEL PIPE A	1	
	22999-00001	• FILTER SET #	1	
10	20051-85540	•• FILTER A	1	
11	20051-85531	•• FILTER	1	
12	20050-85580	• CLIP	1	
13	20050-85560	• CLIP	1	
14	20051-85570	• CLIP A	1	
15	20051-85590	• SPRING	1	
16	20051-86112	FRAME	1	
17	20051-86120	PAD	1	
18	20051-86160	CUSHION 18K	4	
19	11526-05112	FLANGE NUT	4	
20	20000-83150	CLAMP	1	
21	70199-86200	BAND ASSY	1	
22	22044-17230	• PROTECTOR	2	
23	20051-86320	JOINT BAND	1	
24	01215-06140	SCREW TRUSS	2	
25	22011-97840	LOCK NUT	2	
26	20050-87110	BRACKET A	1	
27	20050-87120	BRACKET B	1	
28	20050-87131	RETAINER	1	
29	02002-06005	BEARING	1	
30	11206-05100	SCREW PM SPW	3	
31	02430-25120	SNAP RING	1	
32	20050-87150	STOP CUSHION	1	
33	20050-87160	CUSHION	3	
34	20050-87170	MOUNT HOLDER	3	
35	11206-05100	SCREW PM SPW	3	
36	01500-05041	NUT	3	

PARTS LIST
SHINDAIWA
(LI38 LIA0380P)

BP45/CE



PRICE: (¥)

Ref. No	Part No.	Part Name	Q'ty	emarks
8-	72517-11101	FLEXIBLE SET	1	
1	72517-11110	• FLEXIBLE PIPE	1	
2	72517-11121	• FLEXIBLE SHAFT	1	
3	22056-11140	• O RING	1	
4	72051-11150	CAUTION PLATE	1	
5	72517-12100	OUTER PIPE SUB ASSY	1	
6	22000-12120	• BUSHING	5	
7	72517-12130	JOINT PIPE	1	
8	22056-12340	SCREW	1	
9	72517-12410	MAIN SHAFT	1	
10	02002-06900	BEARING	2	
11	02430-10100	SNAP RING	1	
12	72017-12150	HANDLE LABEL	1	
13	19422-00010	LABEL CAUTION	1	
14	19402-00084	LABEL CAUTION	1	
	72517-12702	THROTTLE LEVER ASSY	1	
15	72430-12800	• BODY SUB ASSY	1	
16	72430-12730	• LEVER	1	
17	72430-12740	• LOCK LEVER	1	
18	72451-14550	• BUTTON	1	
19	72451-14560	• CLAMP	1	
20	72430-12750	• CLAMP	1	
21	72517-12762	• THROTTLE CABLE COMP	1	
22	72451-14580	• RETURN SPRING	1	
23	72451-14590	• SPRING	1	
24	11203-06200	• SCREW	2	
25	72451-14610	• NUT	2	
26	72451-14620	• SCREW TAPPING	4	
27	72517-12180	STAND	1	
28	72517-12190	HOLDER	1	
29	20079-83140	CABLE HOLDER	1	

