

shindaiwa

PARTS PRICE LIST

C 2 3 0

SHIN-DAIWA KOGYO CO., LTD.

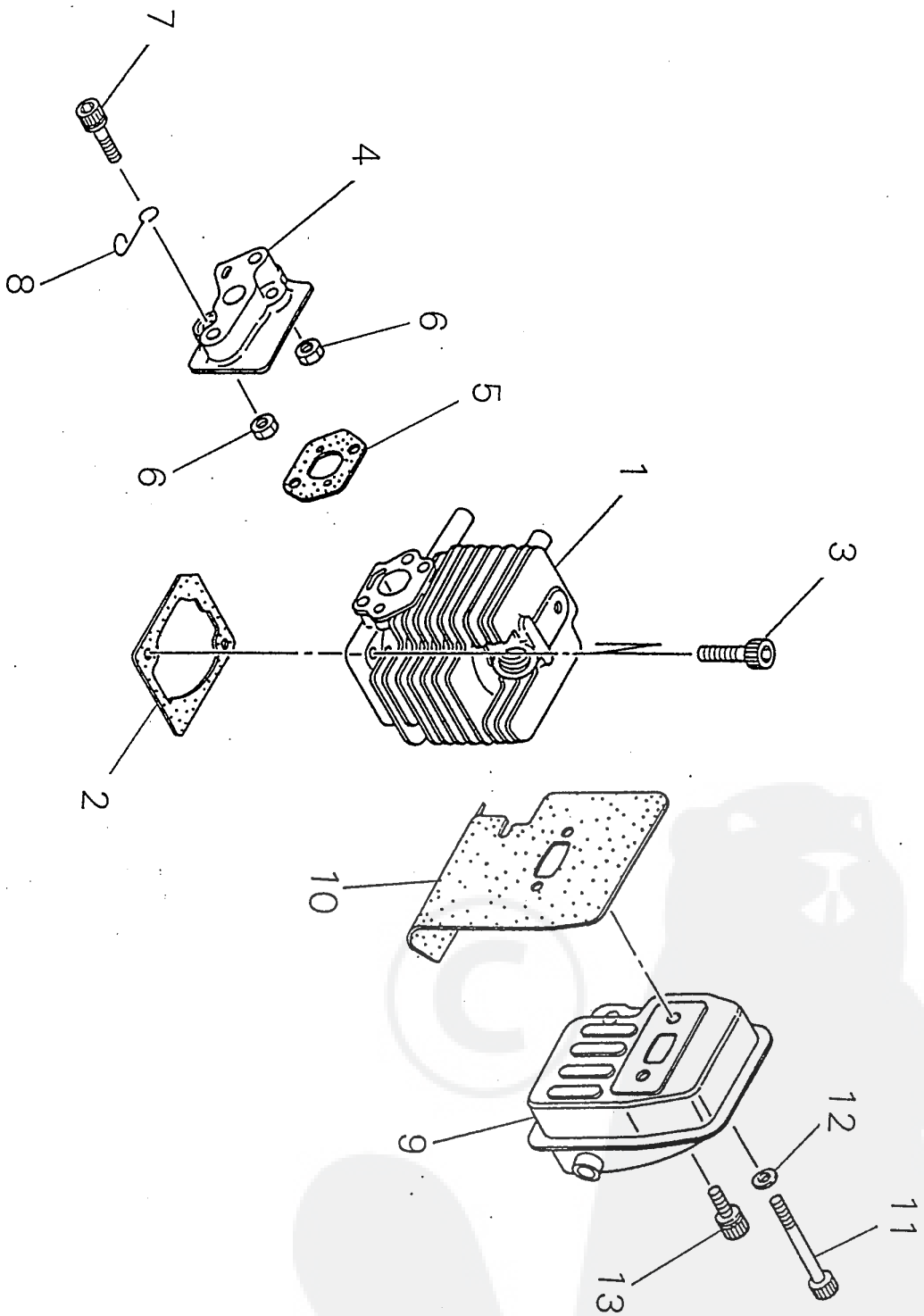
35, Ooaza Shin-Ujigami, Chiyoda-cho Yamagata-gun, Hiroshima, 731-15 Japan

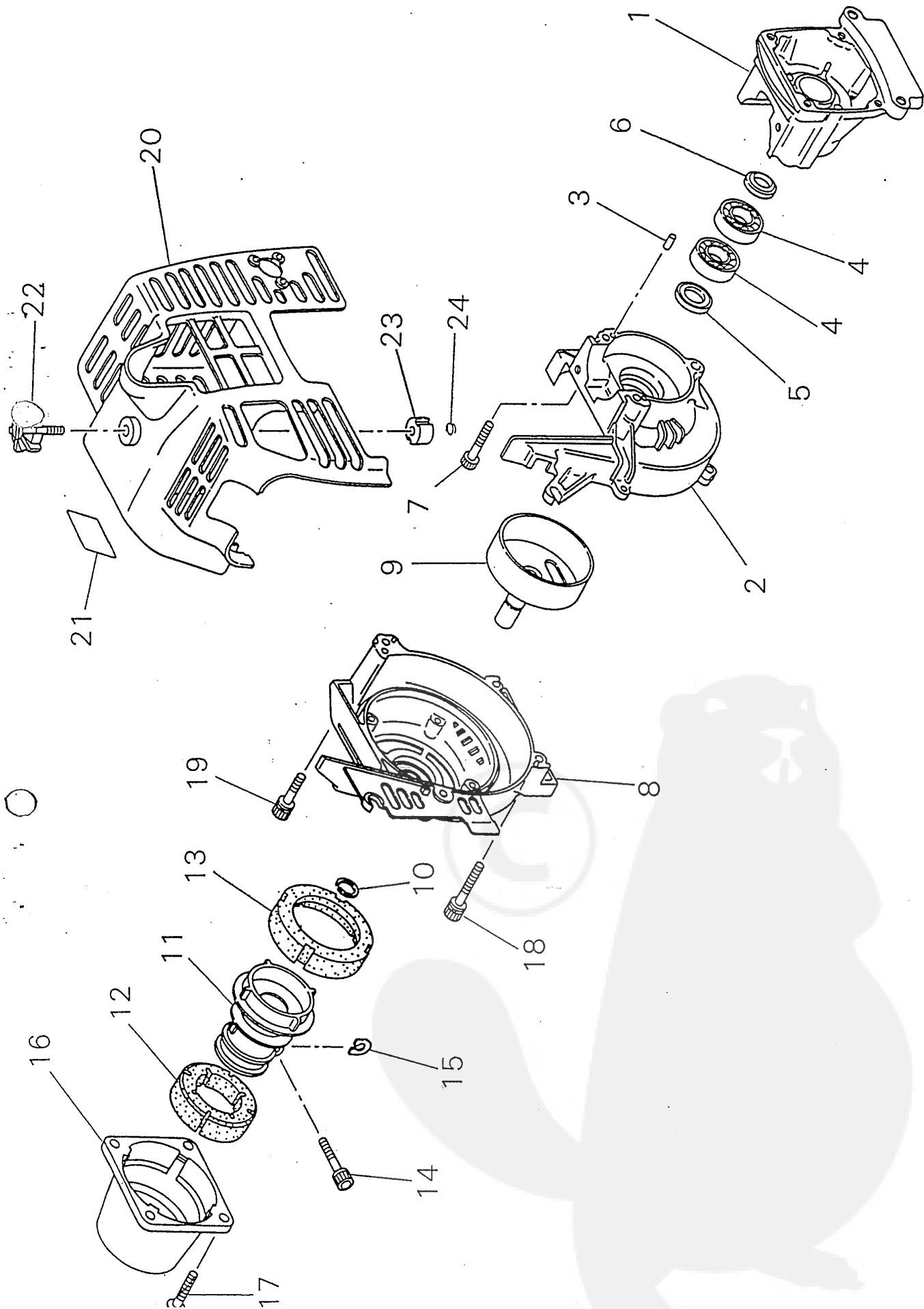
Telephone (082672) 6019 SDKHIR Fax (082672) 7005

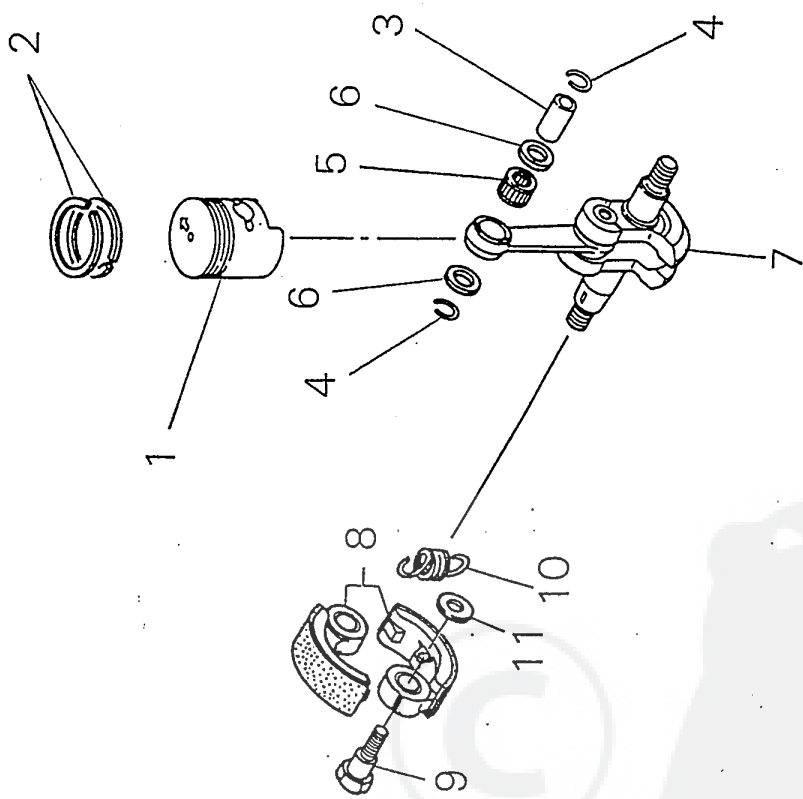
Cable Address SHINDAIWA HIROSHIMA

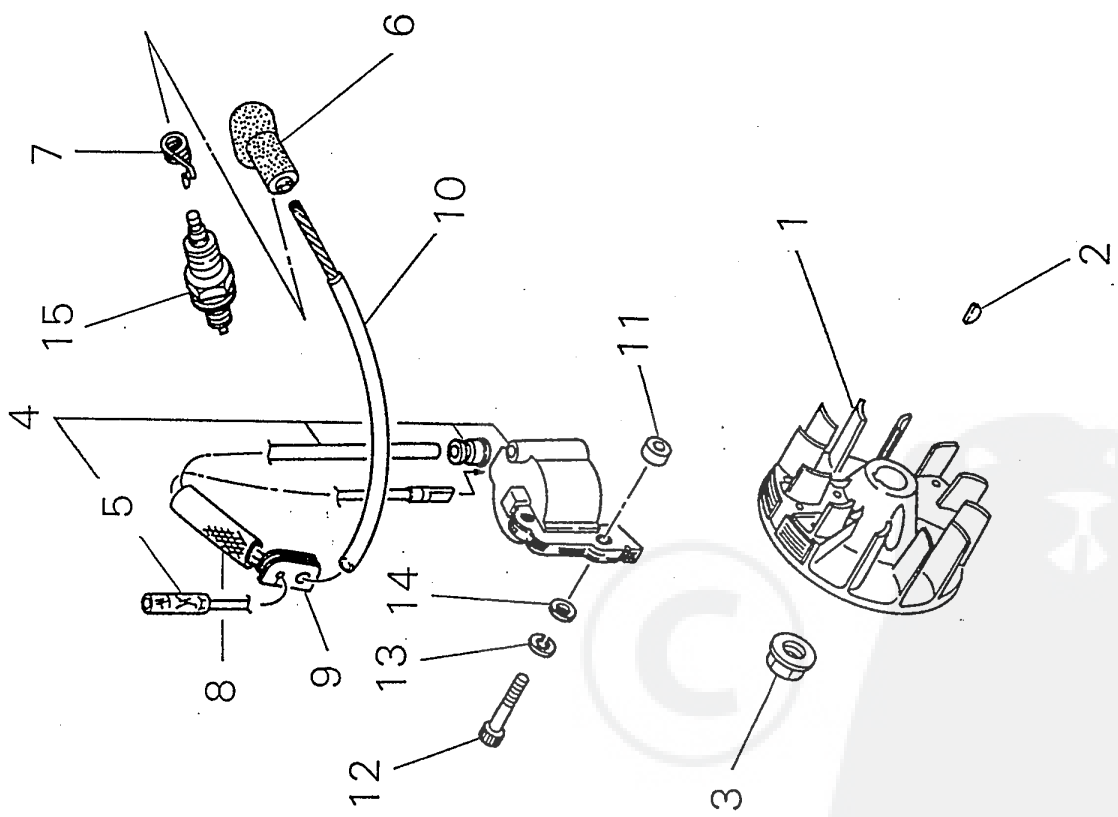
C230/VK

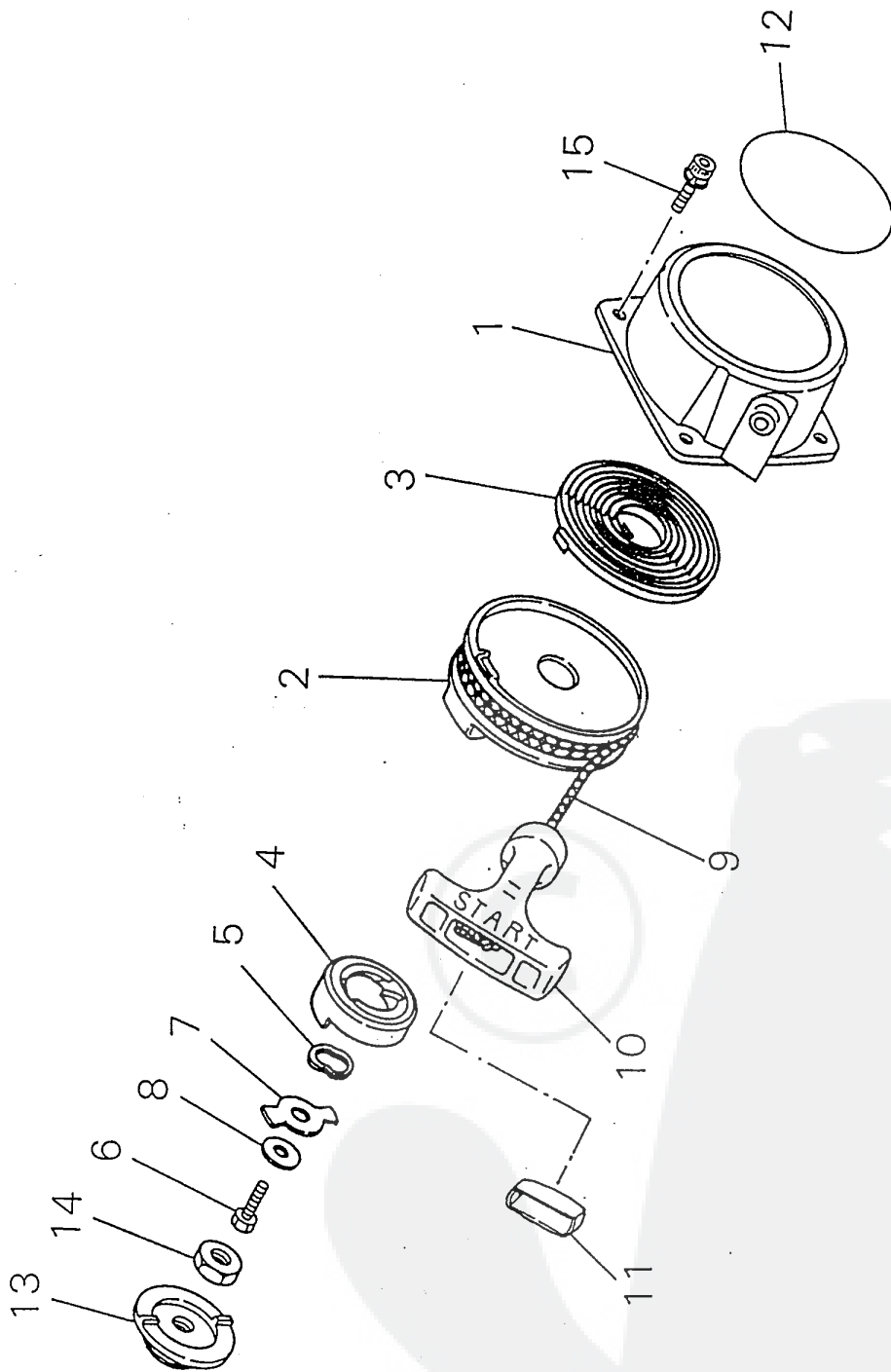
JAN. 13. 1993

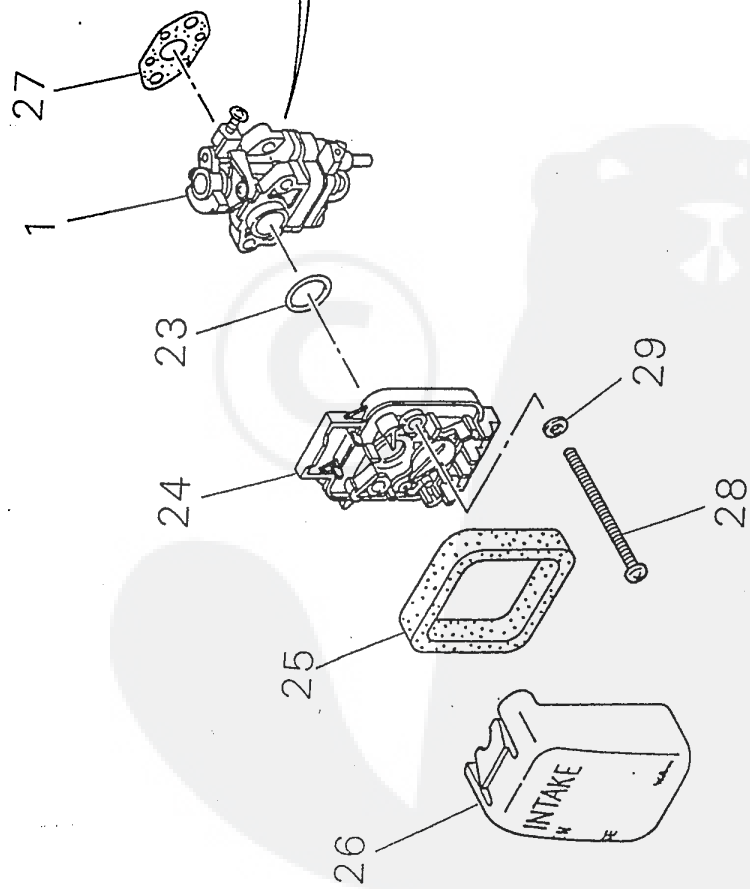
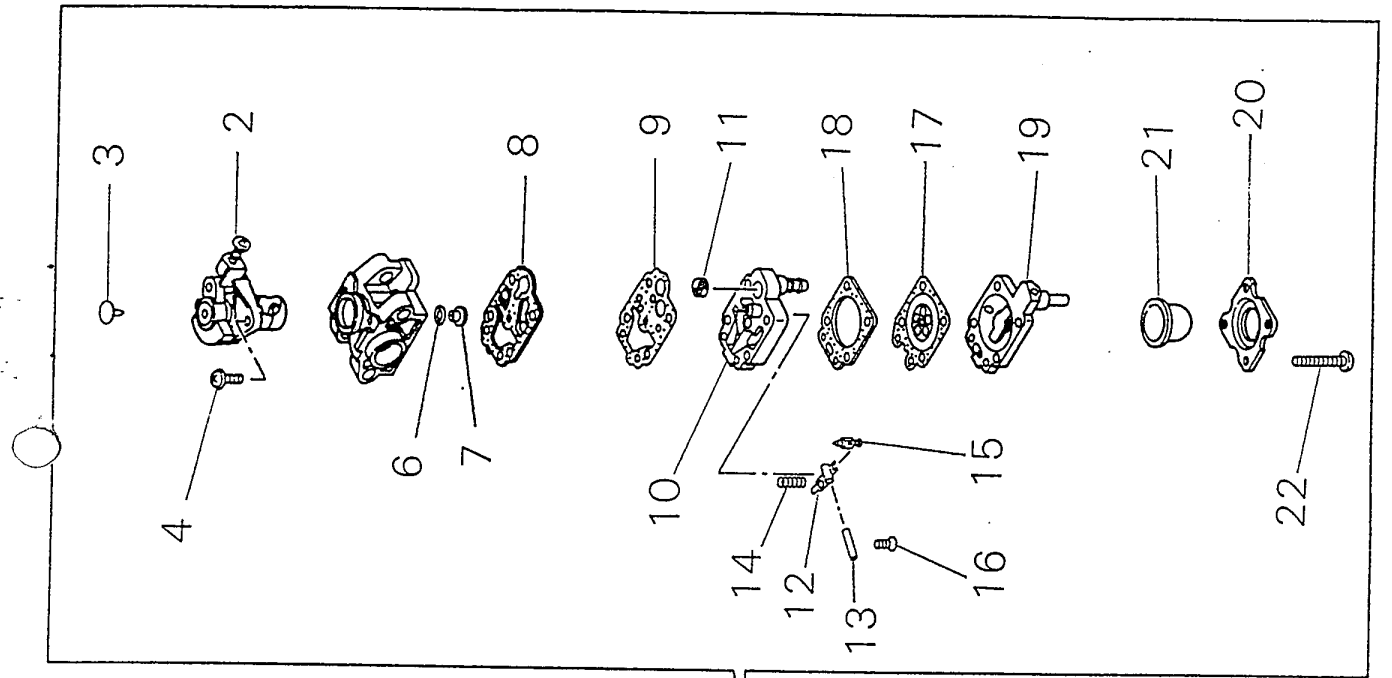












shindaiwa

FAX.NO.082672-7005
TEL.NO.082672-6011

TO: WESTWOOD

ATTN: Mr Eddie de Prins

FROM: T. Sakurai

DATE: Oct 28, 1998

REF.NO: TS-98-189

RE: NEW ORDER "PO 1198-25"



Thank you for your spare parts order for PO 1198-25, but we are afraid that we stopped supplying 20016-81700 (air filter) as an assembly. Thus, we will arrange to ship the following components instead of 20016-81700.

20016-81700 (air filter) WORDT VERVANGEN DOOR :

- 70140-81710 (cleaner body comp) 24
- 20018-81750 (filter)
- 70140-81760 (cleaner cover)
- 20115-81780 (knob cleaner cover)
- 22100-82430 (o ring)
- 20024-81790 (cone washer)
- 19404-00008 (label choke)
- 20018-81721 (back plate)

The 20870-71210 does not exist in our record. We wonder if you typed it by mistake and it should be 20870-71201 (coil sub assy for DH230). If our assumption is wrong, please let us know the correct part number by return.

We are afraid that we can no longer supply 22135-82410 (cleaner cover) as a unit. Thus, we will arrange to ship 22135-82400 (cleaner cover sub assy) instead of 22135-82410.

Best regards,

PRICE:(ST)

Ref. No	Part No.	Part Name	Qty	Unit Price	Remarks
6-	20016-81090	CARBURETOR ASSY	1	9,680	
1	20016-81020	* CARBURETOR SUB ASSY	1	8,330	
2	20016-81180	** VALVE ASSY	1	1,680	
3	22154-81270	** PLUG	1	60	
4	70064-81290	** SCREW	2	70	
6	70097-81220	** O RING	1	110	
7	20016-81230	** MAIN JET	1	350	
8	70097-81310	** GASKET PUMP	1	260	
9	70097-81320	** DIAPHRAGM	1	370	
10	20016-81410	** PUMP BODY COMP	1	3,300	
11	70030-81380	∴ SCREEN	1	110	
12	22100-81230	∴ LEVER	1	220	
13	22100-81250	∴ PIN	1	120	
14	20016-81270	∴ SPRING	1	160	
15	20036-81440	∴ NEEDLE VALVE	1	660	
16	20016-81450	∴ SCREW	1	160	
17	22100-81260	** DIAPHRAGM ASSY	1	980	
18	20016-81280	** GASKET	1	300	
19	20016-81420	** PUMP BASE COMP	1	1,200	
20	20016-81510	** PUMP COVER	1	300	
21	70029-81480	** PRIMING PUMP	1	600	
22	20016-81140	** SCREW	4	120	
23	20016-81250	** O RING	1	120	
	20016-81700	* CLEANER SUB ASSY	1	1,350	niet meer leverb.
24	20016-81710	** CLEANER BODY COMP	1	900	
25	70064-82210	** FILTER	1	190	
26	20016-81790	** CLEANER COVER	1	350	
27	20016-81530	GASKET	1	50	
28	11203-05650	SCREW PM	2	30	
29	01610-05080	WASHER	2	10	
	20016-81910	GASKET KIT	1	600	
8	70097-81310	* GASKET PUMP	1	260	
18	20016-81280	* GASKET	1	300	
	70097-81920	DIAPHRAGM KIT	1	1,670	
9	70097-81320	* DIAPHRAGM	1	370	
17	22100-81260	* DIAPHRAGM ASSY	1	980	

