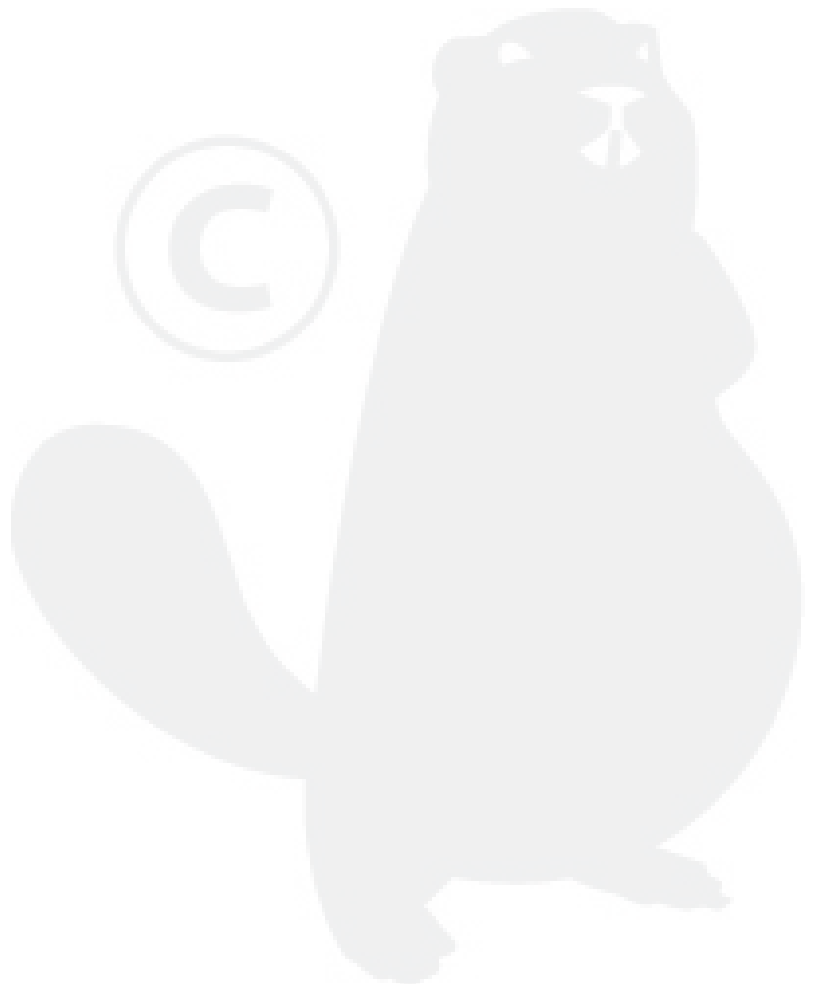
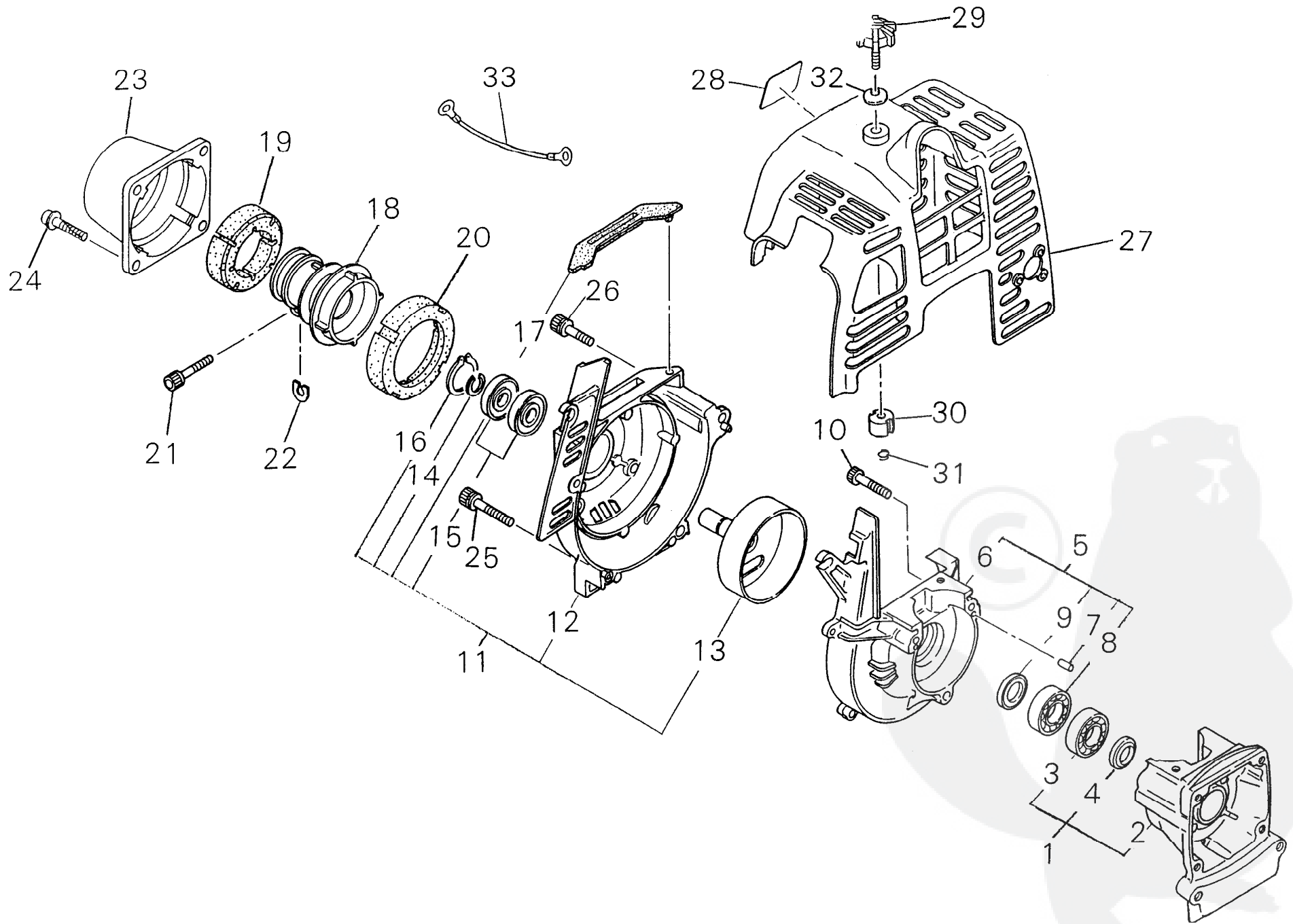
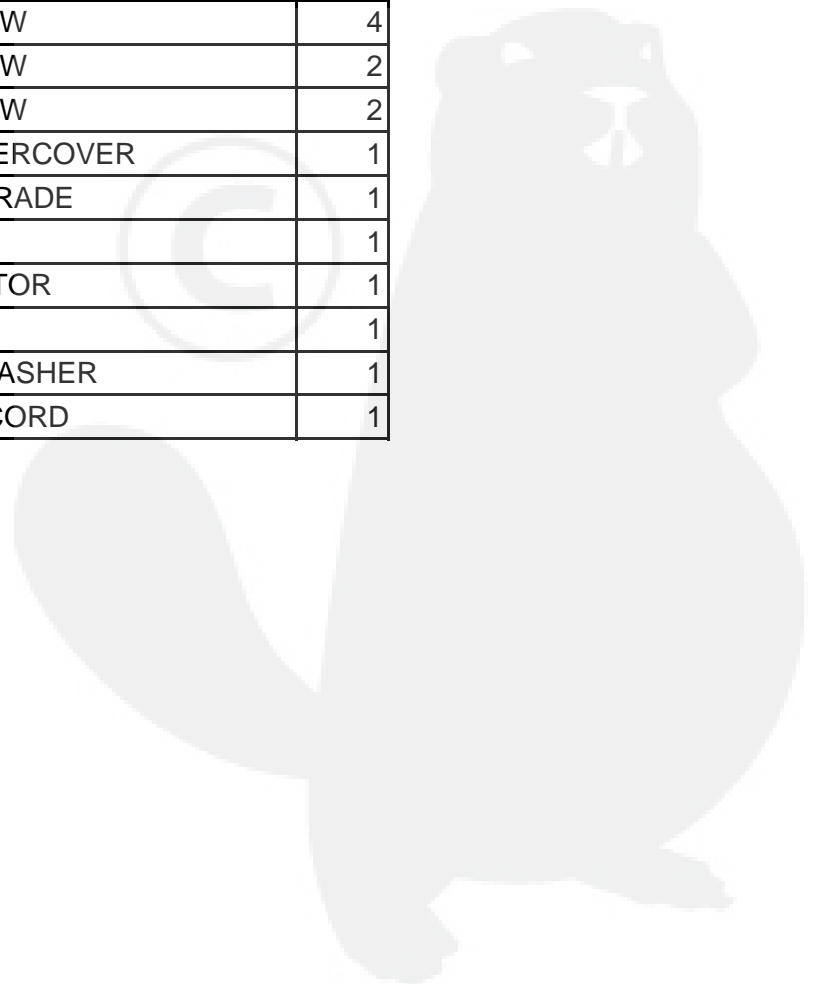


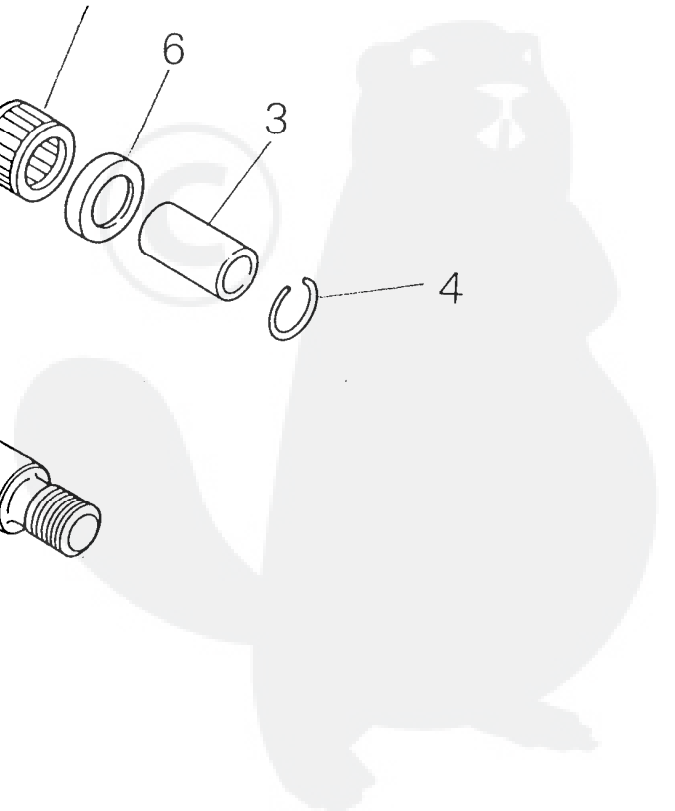
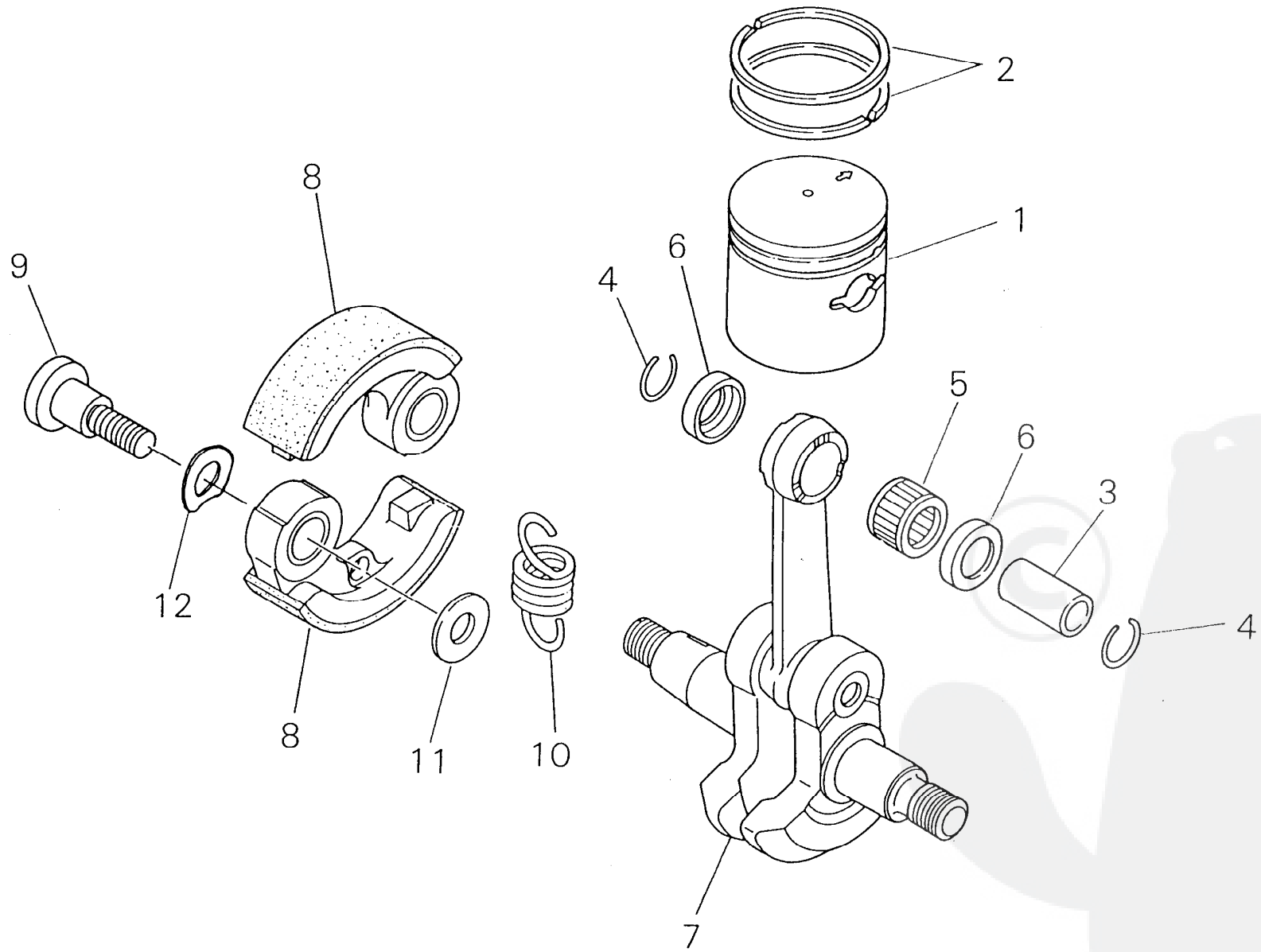
| Ref. No | Part No. | Part Name | Q`ty |
|---------|-------------|-----------|------|
| 1- 1 | 20016-12112 | CYLINDER | 1 |
| 2 | 20016-12120 | GASKET | 1 |
| 3 | 01020-05250 | BOLT | 2 |
| 4 | 20016-12212 | INSULATOR | 1 |
| 5 | 20016-12220 | GASKET | 1 |
| 6 | 01500-05041 | NUT | 2 |
| 7 | 11022-05300 | BOLTSW | 2 |
| 9 | 20018-15110 | MUFFLER | 1 |
| 10 | 20016-15122 | GASKET | 1 |
| 11 | 01020-05500 | BOLT | 2 |
| 12 | 01610-05080 | WASHER | 2 |
| 13 | 01020-05120 | BOLT | 1 |





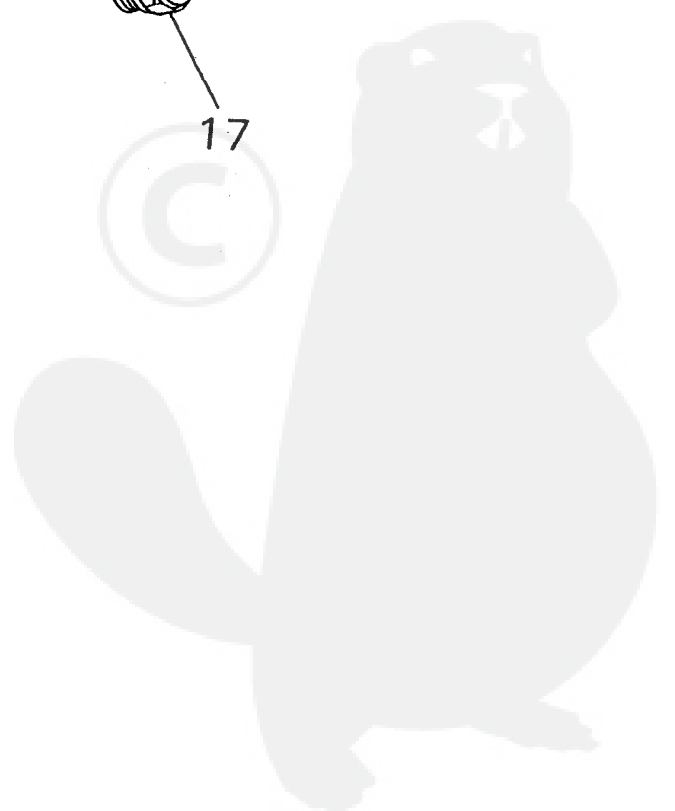
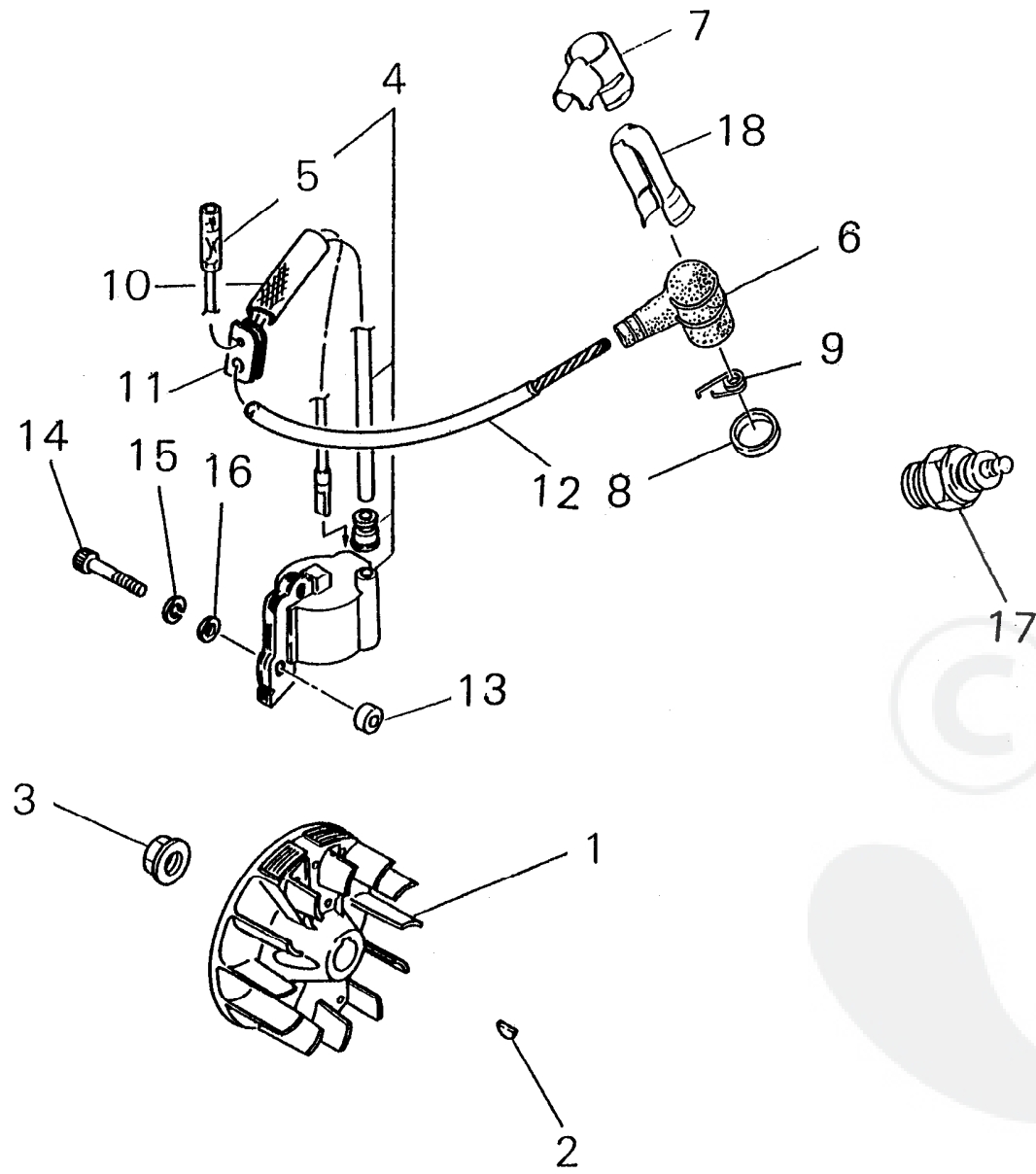
| | | | |
|------|-------------|-----------------|---|
| 2- 1 | 20016-21100 | CRANKCASESCOMP | 1 |
| 2 | 20016-21111 | *CRANKCASES | 1 |
| 3 | 12900-60010 | *BEARING | 1 |
| 4 | 22150-21250 | *OILSEAL | 1 |
| 5 | 20016-21200 | CRANKCASEMCOMP | 1 |
| 6 | 20016-21120 | *CRANKCASEM | 1 |
| 7 | 12492-40080 | *ROLLER | 2 |
| 8 | 12900-60010 | *BEARING | 1 |
| 9 | 20000-21211 | *OILSEAL | 1 |
| 10 | 01020-05250 | BOLT | 3 |
| 11 | 70140-31103 | FANCOVERSUBASSY | 1 |
| 12 | 70140-31113 | *FANCOVER | 1 |
| 13 | 20087-31210 | *CLUTCHDRUM | 1 |
| 14 | 22000-13320 | *SNAPRING | 1 |
| 15 | 02002-06000 | *BEARING | 2 |
| 16 | 02432-26120 | *SNAPRING | 1 |
| 17 | 70140-31130 | *CUSHION | 1 |
| 18 | 20018-31410 | JOINT | 1 |
| 19 | 20018-31420 | FRONTCUSHION | 1 |
| 20 | 20018-31430 | REARCUSHION | 1 |
| 21 | 11023-05250 | BOLT SW | 1 |
| 22 | 20018-31460 | SHIM | 1 |
| 23 | 70135-31470 | CAP | 1 |
| 24 | 11022-05160 | BOLTSPW | 4 |
| 25 | 11022-05350 | BOLTSPW | 2 |
| 26 | 11022-05160 | BOLTSPW | 2 |
| 27 | 70140-32111 | CYLINDERCOVER | 1 |
| 28 | 70192-32120 | LABELTRADE | 1 |
| 29 | 20018-31251 | KNOB | 1 |
| 30 | 20018-31260 | INSULATOR | 1 |
| 31 | 20018-31270 | CLIP | 1 |
| 32 | 20024-81790 | CONEWASHER | 1 |
| 33 | 70192-31510 | EARTHCORD | 1 |





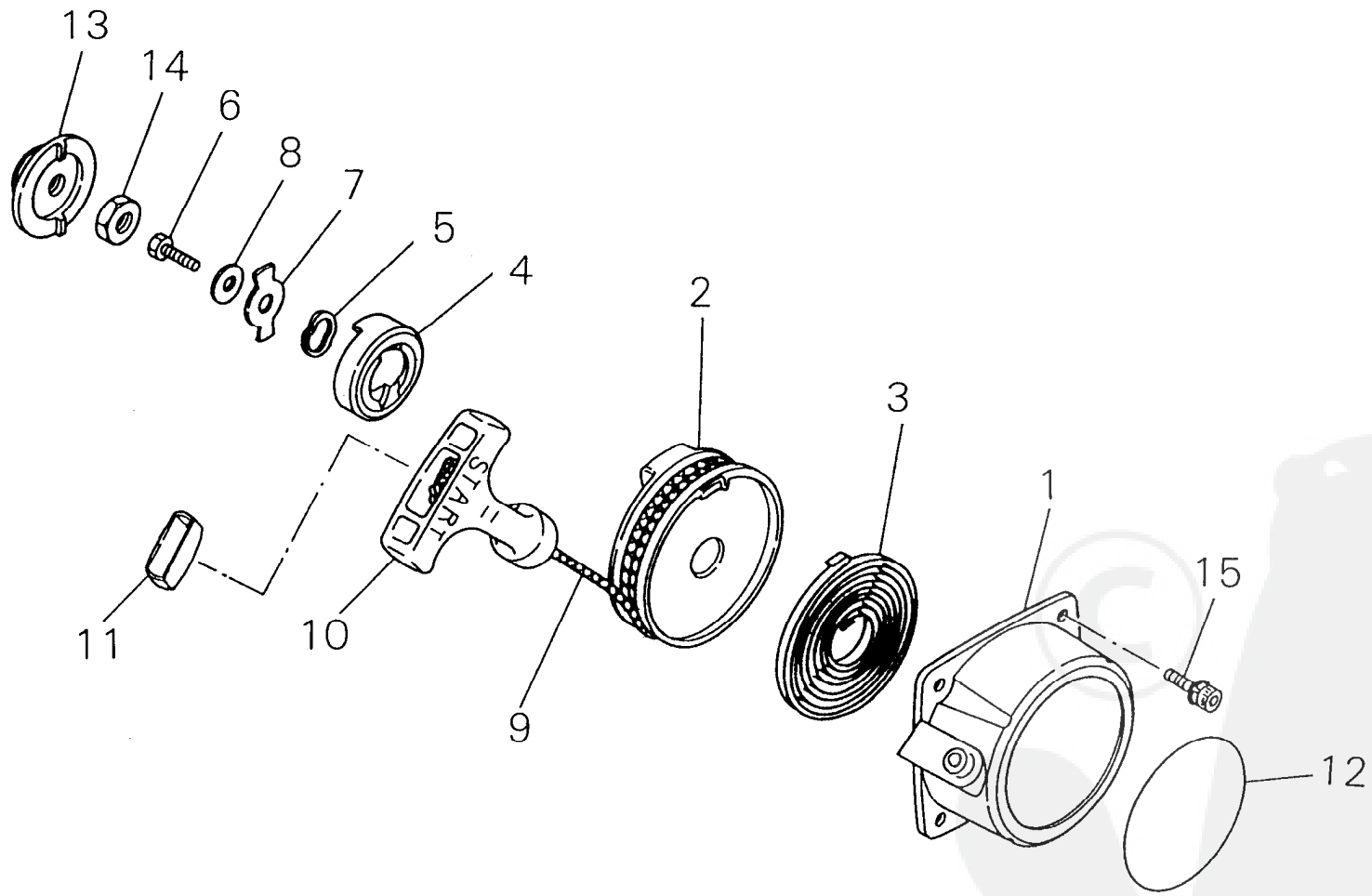
| | | | |
|------|-------------|----------------|---|
| 3- 1 | 20075-41110 | PISTON | 1 |
| 2 | 20000-41210 | PISTONRING | 2 |
| 3 | 20016-41310 | PISTONPIN | 1 |
| 4 | 70030-41320 | SNAPRING | 2 |
| 5 | 20016-41330 | NEEDLEBEARING | 1 |
| 6 | 20016-41340 | THRUSTWASHER | 2 |
| 7 | 20016-42002 | CRANKSHAFTASSY | 1 |
| | 70140-51102 | CLUTCHSHOEASSY | 1 |
| 8 | 70140-51111 | *CLUTCHSHOE | 2 |
| 9 | 20087-51210 | *BOLT | 2 |
| 10 | 70140-51220 | *CLUTCHSPRING | 1 |
| 11 | 22100-71430 | *WASHER | 2 |
| 12 | 70140-51230 | *SPRINGPLATE | 2 |



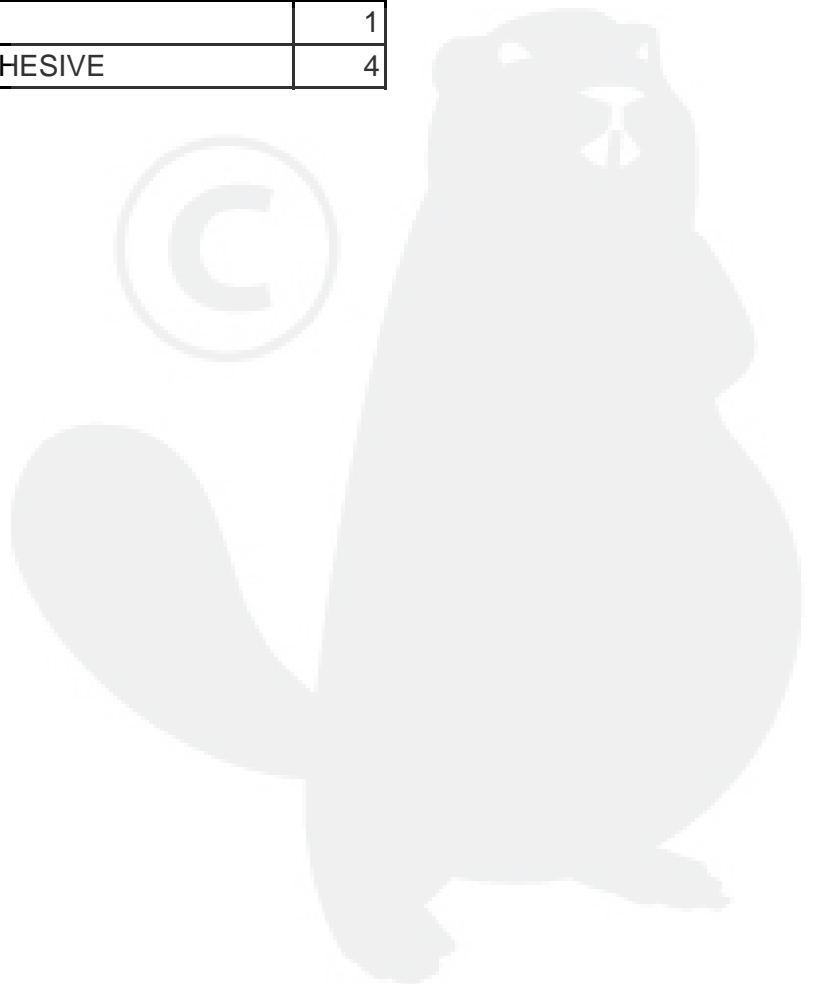
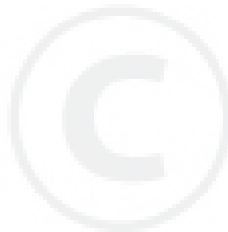


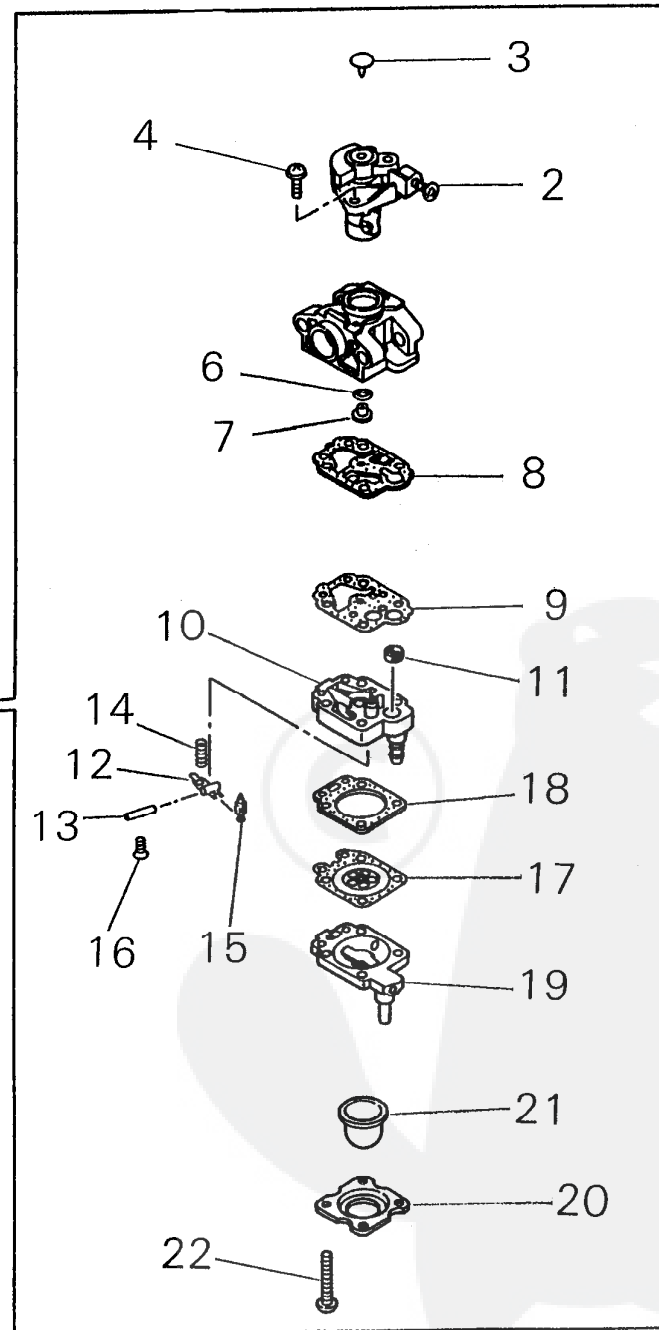
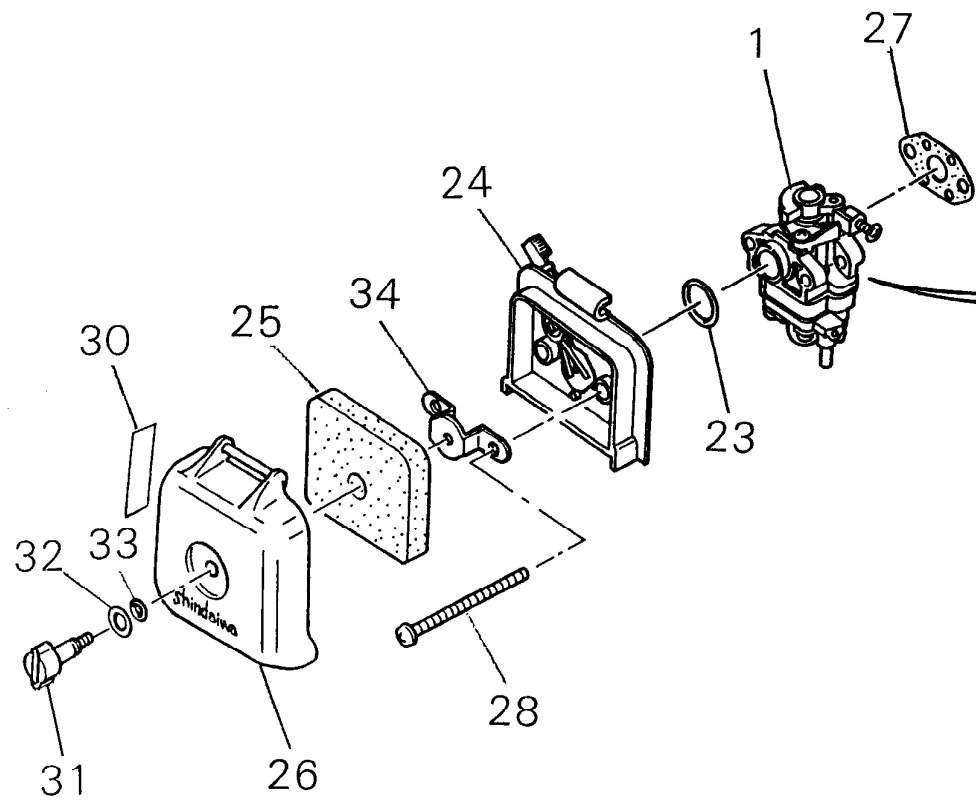
| | | | |
|------|-------------|-----------------|---|
| 4- 1 | 20016-71200 | ROTOR | 1 |
| 2 | 02403-03100 | KEY | 1 |
| 3 | 20035-71220 | NUT | 1 |
| 4 | 20016-71601 | COILASSY | 1 |
| 5 | 20016-71641 | *CORD | 1 |
| 6 | 20010-72221 | PLUGCAP | 1 |
| 7 | 20000-72241 | PLUGCAPCOVER | 1 |
| 8 | 20000-72250 | COVERBAND | 1 |
| 18 | 70180-72260 | SHIELD | 1 |
| 9 | 20000-72230 | SPRINGSPARKPLUG | 1 |
| 10 | 20016-71651 | TUBE | 1 |
| 11 | 20010-72110 | GROMMET | 1 |
| 12 | 20016-71660 | TUBE | 1 |
| 13 | 70030-71620 | INSULATOR | 2 |
| 14 | 01020-04260 | BOLT | 2 |
| 15 | 01600-04101 | SPRINGWASHER | 2 |
| 16 | 01613-04080 | WASHER | 2 |
| 17 | 13000-13406 | SPARKPLUGBMR6A | 1 |



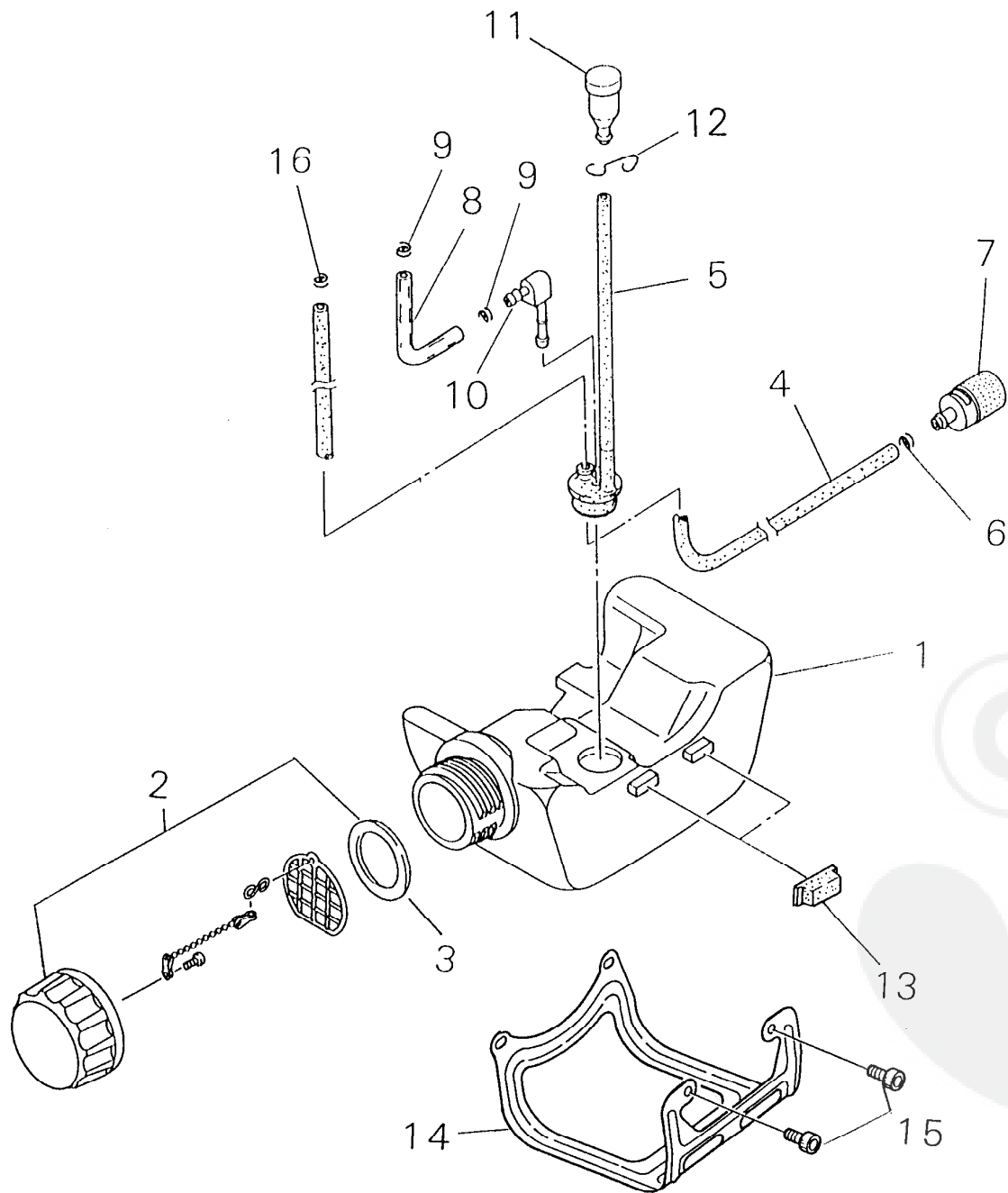


| | | | |
|----|-------------|----------------------|---|
| 5- | 72933-75101 | RECOILSTARTERSUBASSY | 1 |
| 1 | 70064-75110 | *STARTERCASE | 1 |
| 1 | 20064-75110 | *STARTERCASE | 1 |
| 2 | 72933-75120 | *REEL | 1 |
| 2 | 20064-75120 | *REEL | 1 |
| 3 | 70064-75130 | *RECOILSPRING | 1 |
| 3 | 20140-75130 | *SPRING | 1 |
| 4 | 72933-75140 | *DOG | 1 |
| 4 | 20140-75140 | *DOG | 1 |
| 5 | 70064-75150 | *WAVEWASHER | 1 |
| 5 | 20140-75150 | *BRAKESPRING | 1 |
| 6 | 72933-75160 | *SCREW | 1 |
| 6 | 20140-75160 | *SCREW | 1 |
| 7 | 72933-75170 | *RETAINER | 1 |
| 7 | 20140-75170 | *RETAINER | 1 |
| 8 | 72933-75180 | *WASHER | 1 |
| 8 | 20140-75180 | *WASHER | 1 |
| 9 | 70064-75190 | *ROPE | 1 |
| 9 | 32004-75140 | *ROPE | 1 |
| 10 | 32004-75150 | *KNOB | 1 |
| 10 | 72933-75210 | *HANDLE | 1 |
| 12 | 70064-75250 | *NAMEPLATE | 1 |
| 13 | 70064-75310 | STARTERPULLEY | 1 |
| 14 | 01511-08051 | NUT | 1 |
| 15 | 11060-04122 | BOLTADHESIVE | 4 |

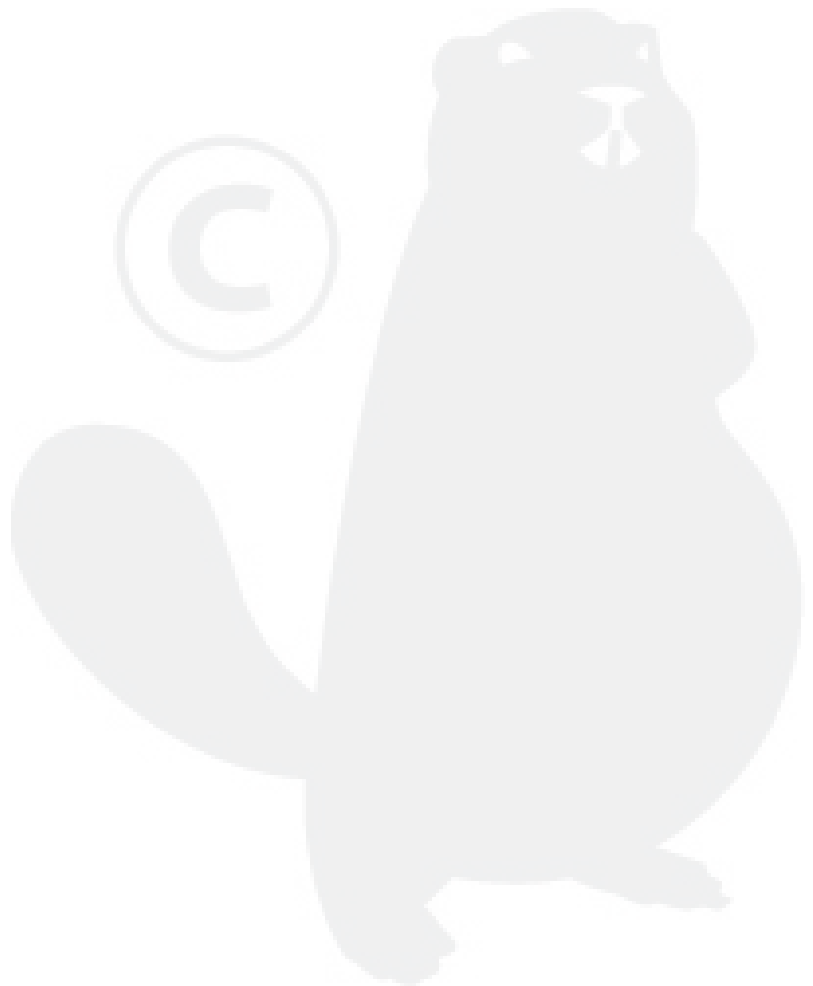


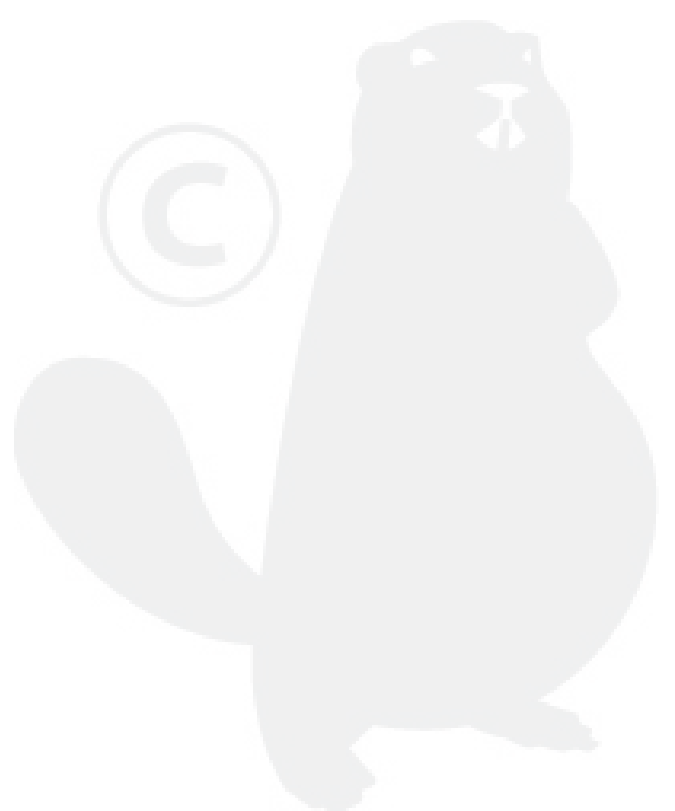
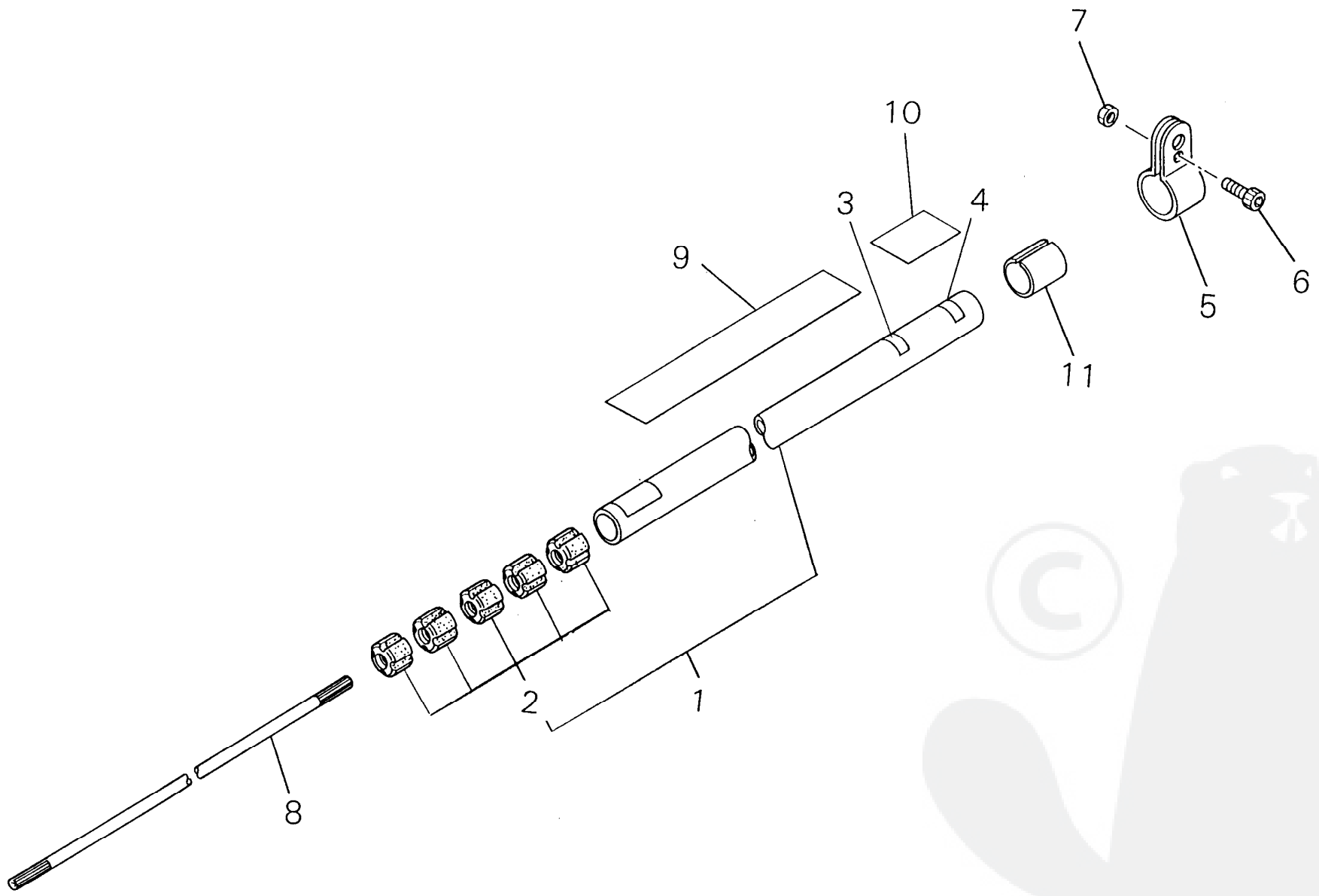


| | | | |
|------|-------------|--------------------|---|
| 6- 1 | 20016-81021 | CARBURETORBODYASSY | 1 |
| 2 | 20016-81180 | *VALVEASSY | 1 |
| 3 | 22154-81270 | *PLUG | 1 |
| 4 | 70064-81290 | *SCREW | 2 |
| 6 | 70097-81220 | *ORING | 1 |
| 7 | 70064-81230 | *MAINJET | 1 |
| 8 | 70097-81310 | *GASKETPUMP | 1 |
| 9 | 70097-81320 | *DIAPHRAGM | 1 |
| 10 | 20016-81410 | *PUMPBODYCOMP | 1 |
| 11 | 70030-81380 | **SCREEN | 1 |
| 12 | 22100-81230 | **LEVER | 1 |
| 13 | 22100-81250 | **PIN | 1 |
| 14 | 20016-81270 | **SPRING | 1 |
| 15 | 20036-81440 | **NEEDLEVALVE | 1 |
| 16 | 20016-81450 | **SCREW | 1 |
| 17 | 22100-81260 | *DIAPHRAGMASSY | 1 |
| 18 | 20016-81280 | *GASKET | 1 |
| 19 | 20016-81420 | *PUMPBASECOMP | 1 |
| 20 | 20016-81510 | *PUMPCOVER | 1 |
| 21 | 70029-81480 | *PRIMINGPUMP | 1 |
| 22 | 20016-81140 | *SCREW | 4 |
| 23 | 20016-81250 | ORING | 1 |
| 24 | 70140-81710 | CLEANERBODYCOMP | 1 |
| 25 | 20018-81750 | FILTER | 1 |
| 26 | 70140-81760 | CLEANERCOVER | 1 |
| 31 | 20115-81780 | KNOBCLEANERCOVER | 1 |
| 32 | 22100-82430 | ORING | 1 |
| 33 | 20024-81790 | CONEWASHER | 1 |
| 34 | 20018-81721 | BACKPLATE | 1 |
| 27 | 20016-81530 | GASKET | 1 |
| 28 | 70140-81810 | SCREWPM5X67 | 2 |
| 30 | 19404-00008 | LABELCHOKE | 1 |
| | 20016-81910 | GASKETKIT | 1 |
| 8 | 70097-81310 | *GASKETPUMP | 1 |
| 18 | 20016-81280 | *GASKET | 1 |
| | 70097-81920 | DIAPHRAGMKIT | 1 |
| 9 | 70097-81320 | *DIAPHRAGM | 1 |
| 17 | 22100-81260 | *DIAPHRAGMASSY | 1 |



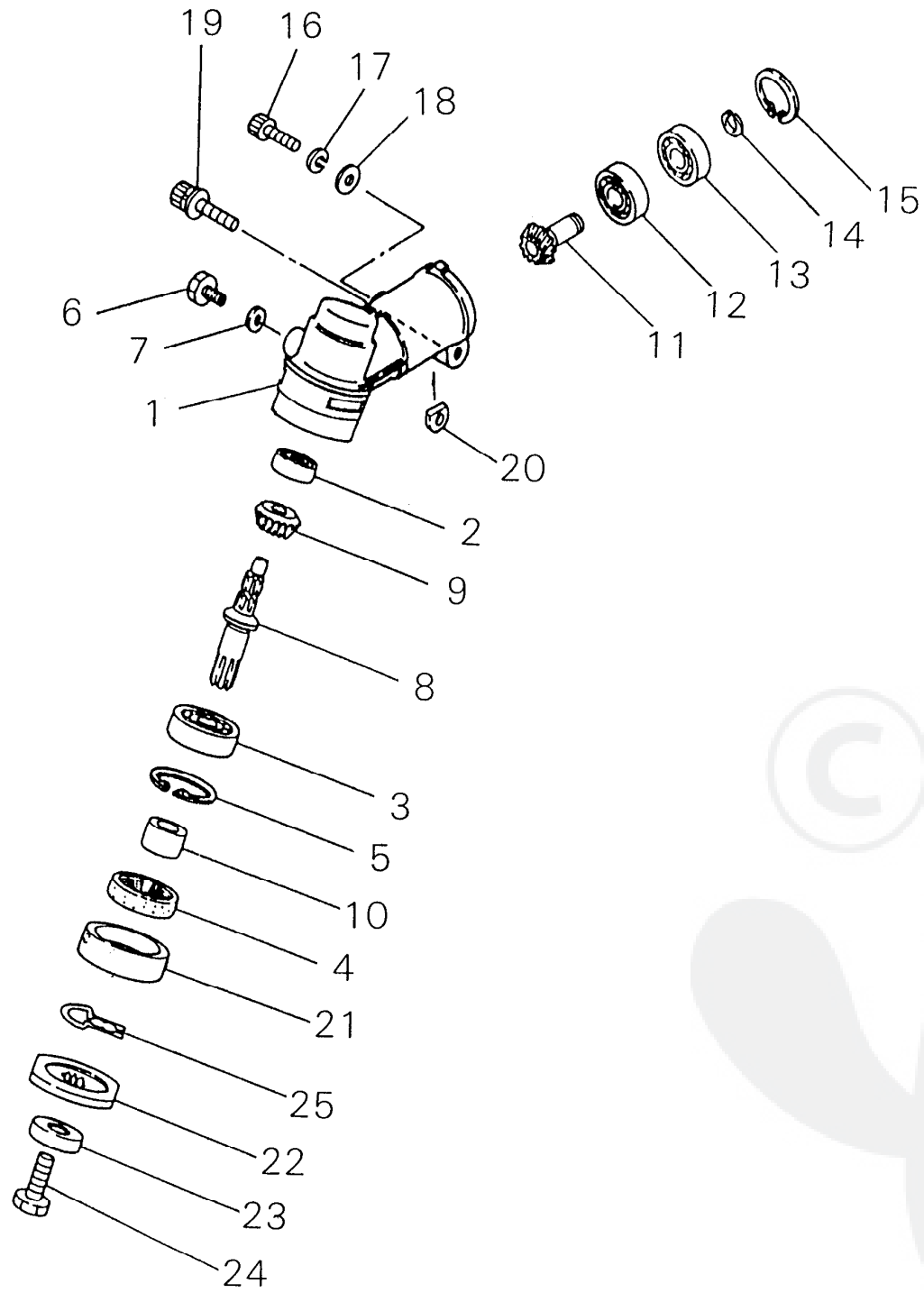
| | | | |
|------|-------------|-------------|---|
| 7- 1 | 20016-85112 | FUELTANK | 1 |
| 2 | 70168-85201 | FUELCPASSY | 1 |
| 3 | 20000-85221 | *GASKET | 1 |
| 4 | 70064-85311 | FUELPIPE | 1 |
| 5 | 20089-85350 | GROMMET | 1 |
| 6 | 20020-85540 | CLIP | 2 |
| 7 | 20016-85400 | FUELFILTER | 1 |
| 8 | 20089-83311 | PIPE | 2 |
| 16 | 37013-85310 | CLIP | 1 |
| 9 | 20020-85540 | CLIP | 1 |
| 10 | 20087-85340 | JOINT | 1 |
| 11 | 20035-85522 | VALVE | 1 |
| 12 | 20016-12310 | VALVEHOLDER | 1 |
| 13 | 20024-86120 | TANKCUSHION | 4 |
| 14 | 70135-86130 | TANKGUARD | 1 |
| 15 | 11022-05120 | BOLTSPW | 2 |



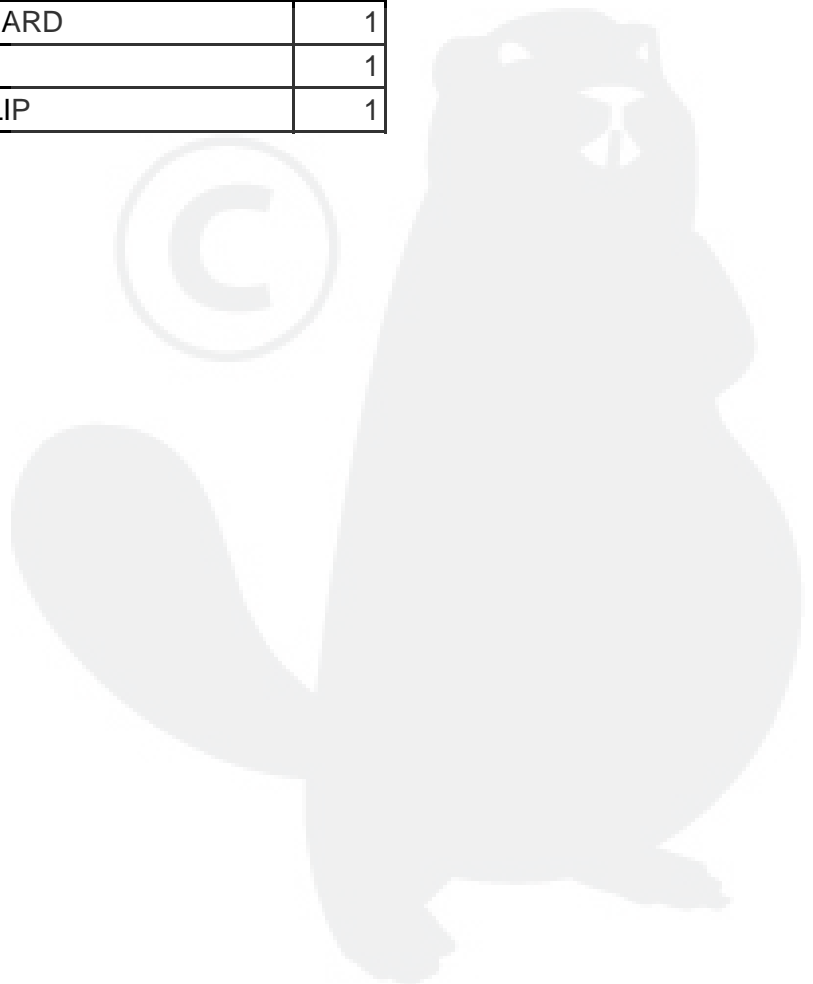


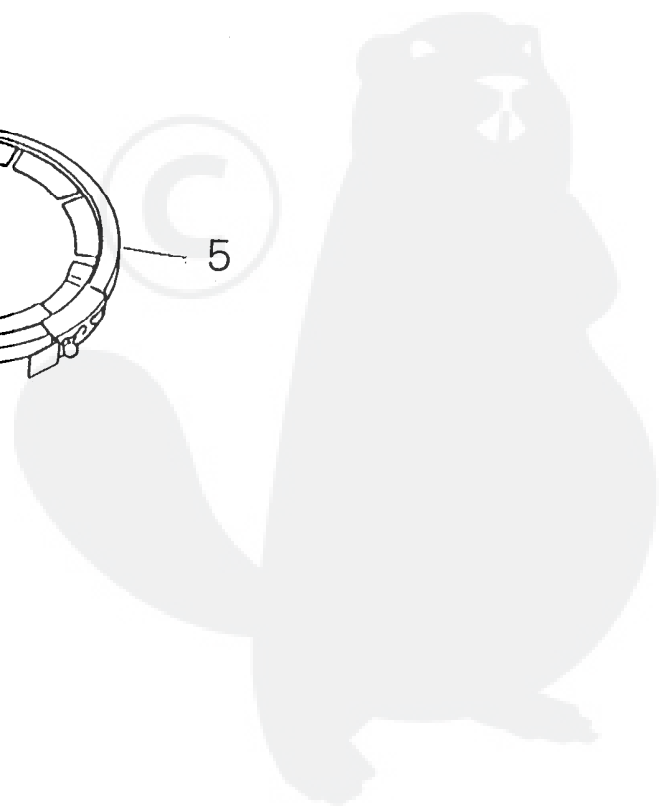
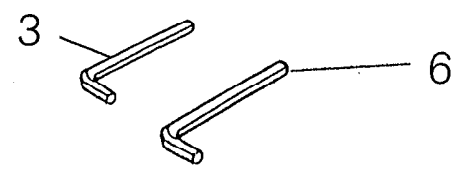
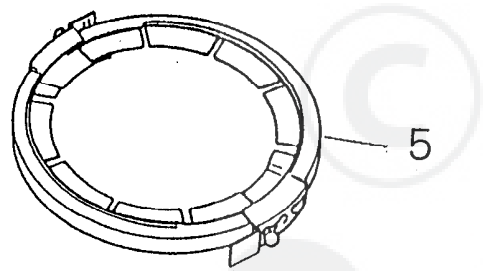
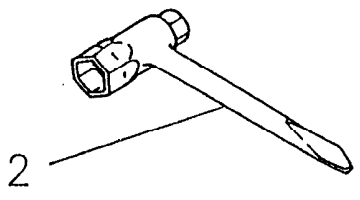
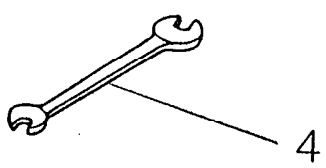
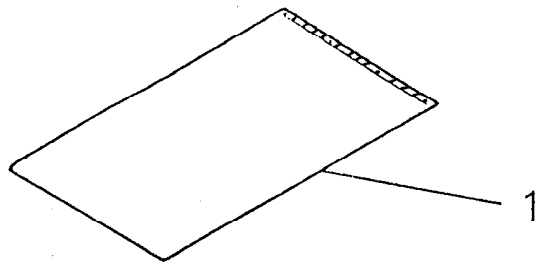
| | | | |
|------|-------------|---------------|---|
| 8- 1 | 72432-12100 | OUTERPIPECOMP | 1 |
| 2 | 22035-12120 | *BUSH | 5 |
| 3 | 72017-12150 | HANDLELABEL | 1 |
| 4 | 72005-12140 | CAUTIONPLATE | 1 |
| 5 | 22410-12210 | HANGER | 1 |
| 6 | 01020-05120 | BOLT | 1 |
| 7 | 01500-05041 | NUT | 1 |
| 8 | 22070-12410 | MAINSHAFT | 1 |
| 9 | 19422-00010 | LABELCAUTION | 1 |
| 10 | 19402-00223 | LABELCAUTION | 1 |
| 11 | 22036-14130 | SPACER | 1 |



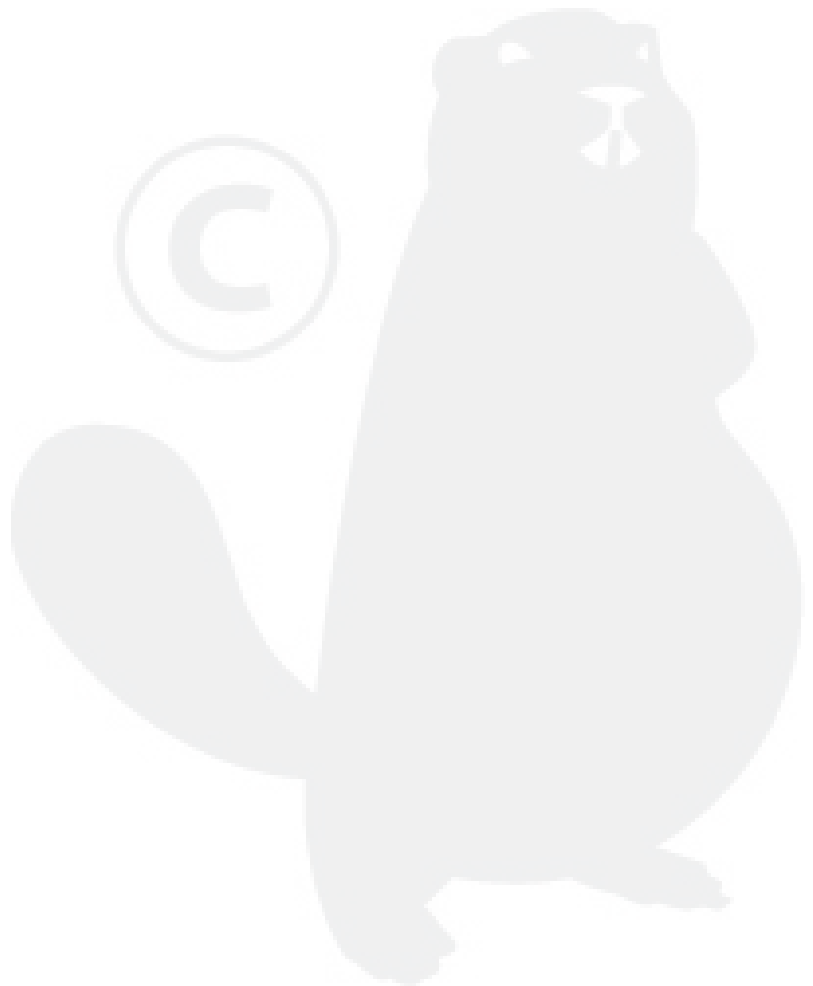


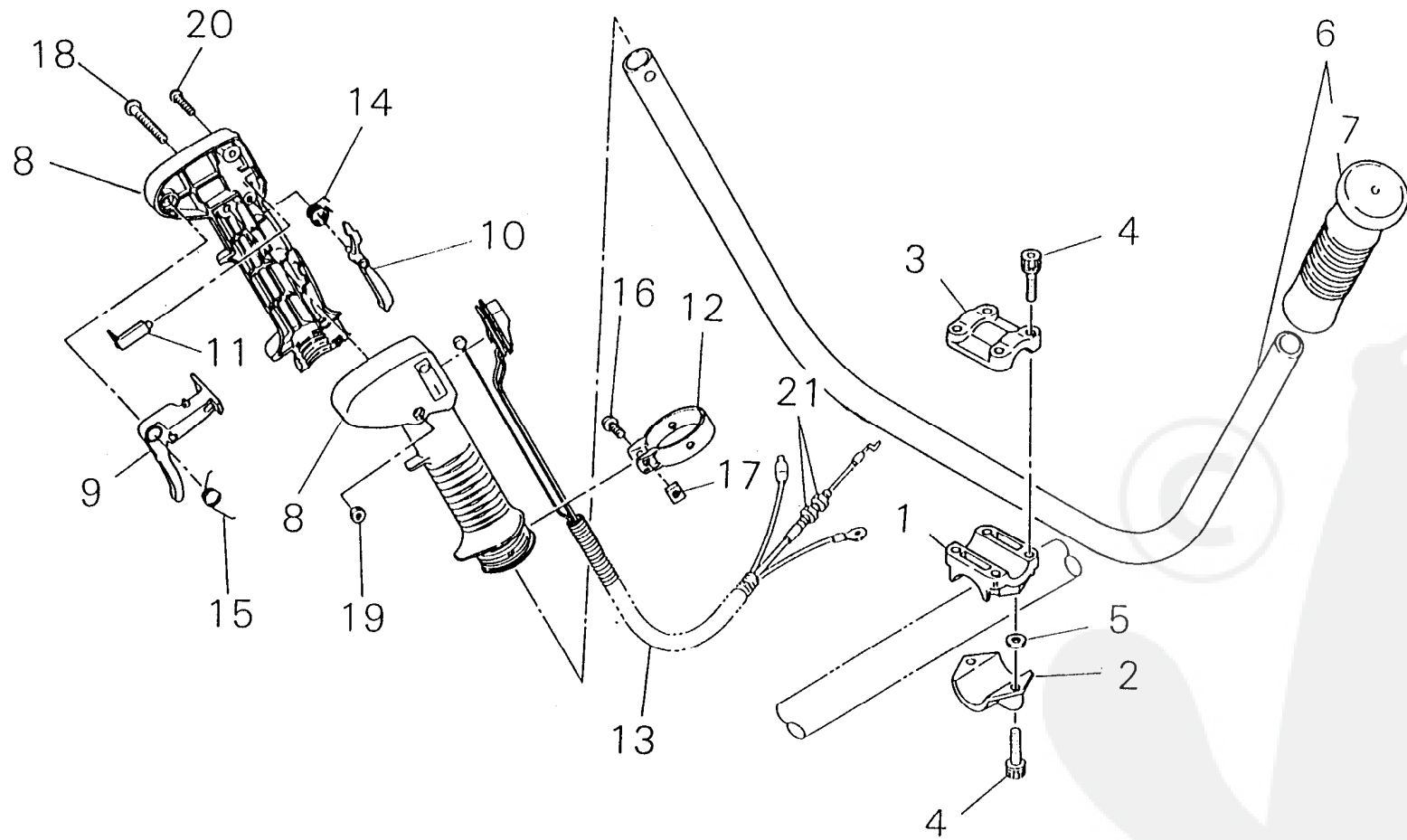
| | | | |
|----|-------------|-----------------|---|
| 9- | 22410-13011 | GEARCASESUBASSY | 1 |
| 1 | 22035-13113 | *GEARCASE | 1 |
| 2 | 02006-00626 | *BEARING | 1 |
| 3 | 02000-06000 | *BEARING | 1 |
| 4 | 22035-13140 | *OILSEAL | 1 |
| 5 | 02432-26120 | *SNAPRING | 1 |
| 6 | 01014-06100 | *BOLT | 1 |
| 7 | 22000-13410 | *GASKET | 1 |
| 8 | 22410-13210 | *GEARSHAFT | 1 |
| 9 | 22035-13220 | *BEVELGEAR | 1 |
| 10 | 22035-13230 | *COLLAR | 1 |
| 11 | 22035-13391 | *PINIONSET | 1 |
| 12 | 02000-00608 | *BEARING | 1 |
| 13 | 02002-00608 | *BEARING | 1 |
| 14 | 22035-13340 | *SNAPRING | 1 |
| 15 | 02432-22100 | *SNAPRING | 1 |
| 16 | 01020-05120 | *BOLT | 1 |
| 17 | 01600-05131 | *SPRINGWASHER | 1 |
| 18 | 01610-05080 | *WASHER | 1 |
| 19 | 11023-05250 | *BOLTSW | 1 |
| 20 | 22000-13420 | *SHIM | 1 |
| 21 | 22035-13242 | HOLDERA | 1 |
| 22 | 22410-13251 | HOLDERB | 1 |
| 23 | 22035-13290 | BOLTGUARD | 1 |
| 24 | 22035-13271 | BOLT | 1 |
| 25 | 22410-13530 | SLIDECLIP | 1 |



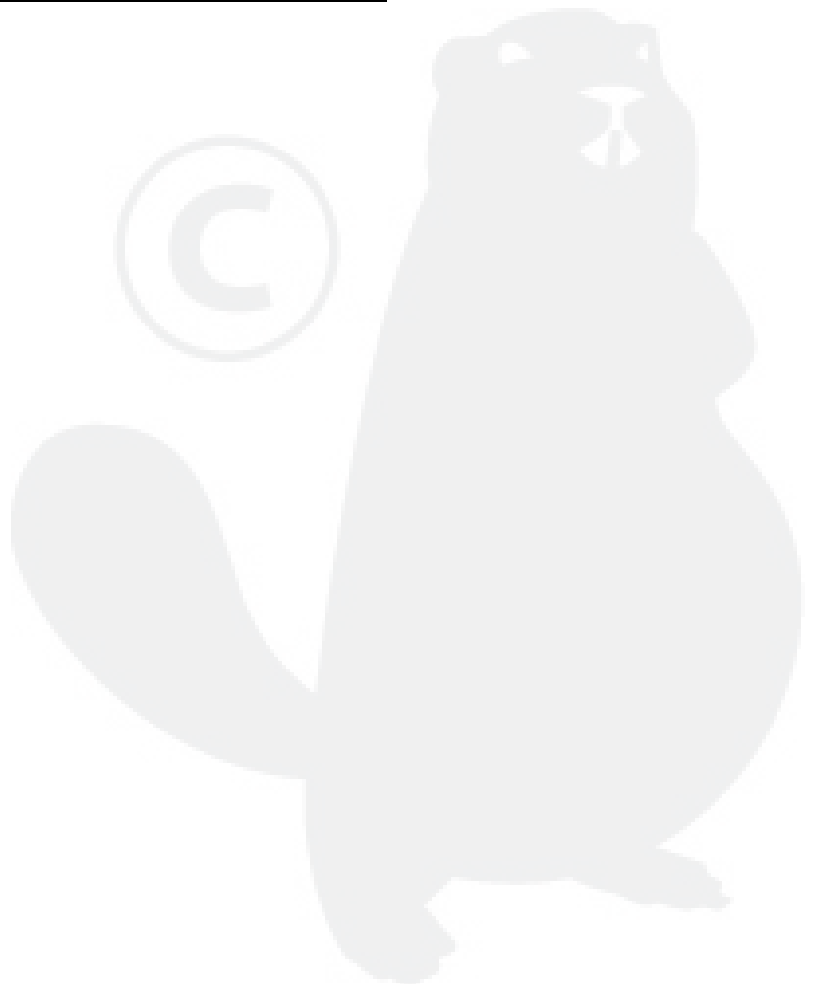


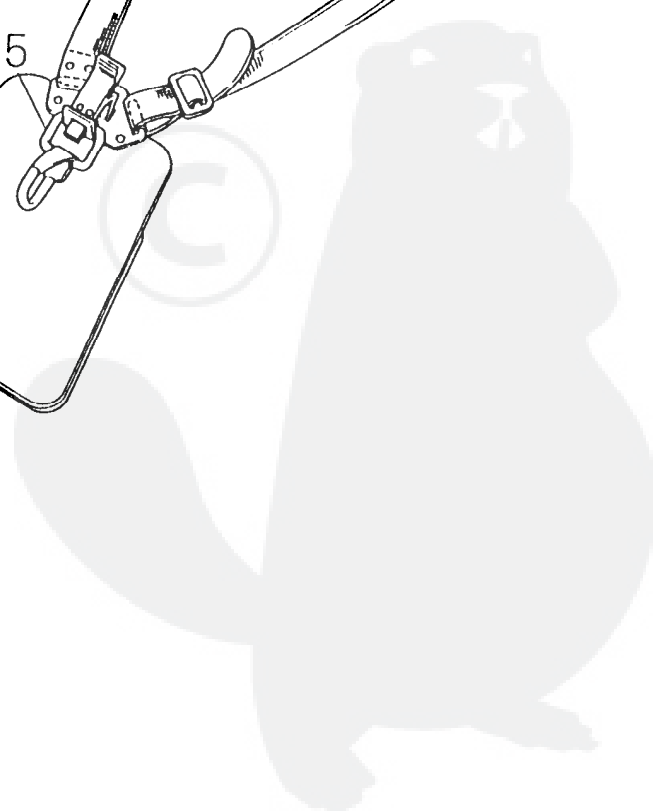
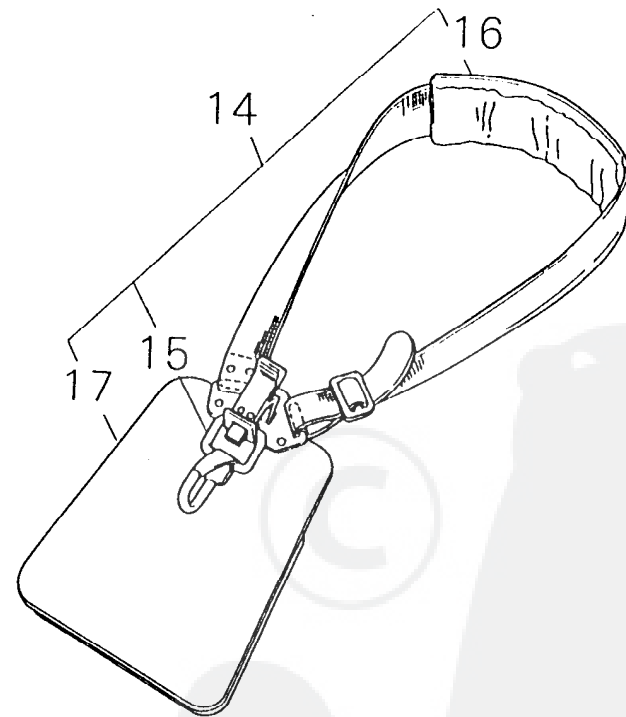
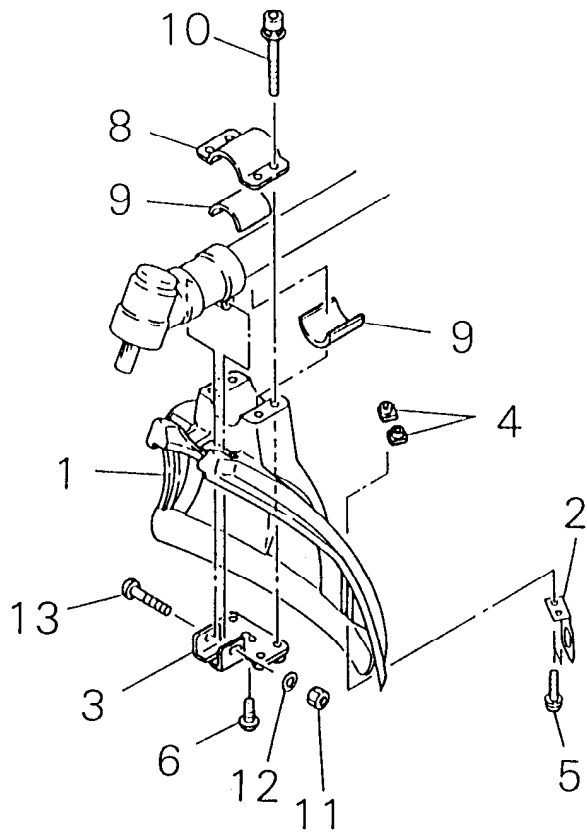
| | | | |
|-----|-------------|-------------|---|
| 10- | 72528-91001 | TOOLSET | 1 |
| 1 | 19639-01100 | *POLYBAG | 1 |
| 2 | 22000-91181 | *PLUGWRENCH | 1 |
| 3 | 09026-04001 | *HEXAWRENCH | 1 |
| 4 | 22000-91120 | *SPANNER | 1 |
| 6 | 09026-05001 | *HEXAWRENCH | 1 |
| 7 | 72431-12190 | *BAND | 2 |
| 5 | 19601-00300 | BLADECOVER | 1 |





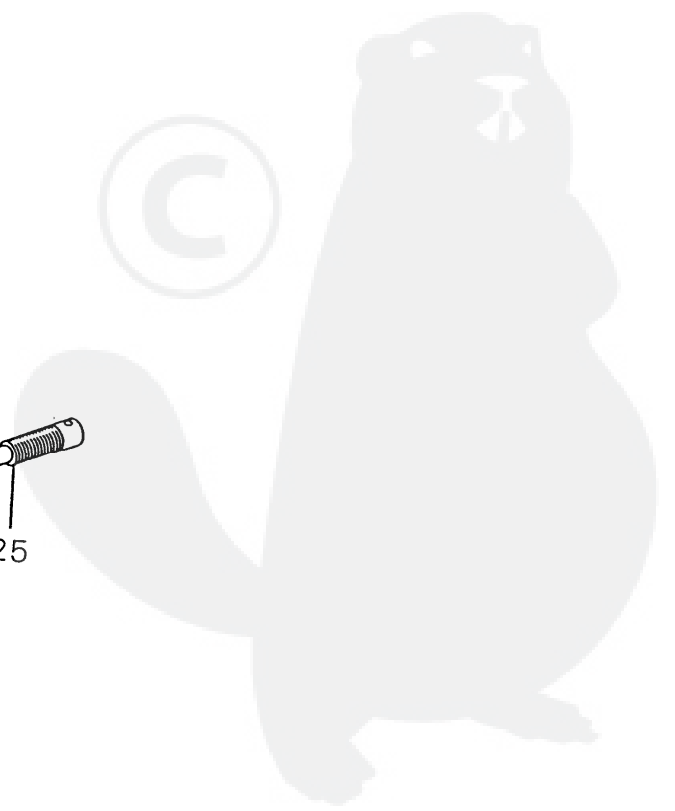
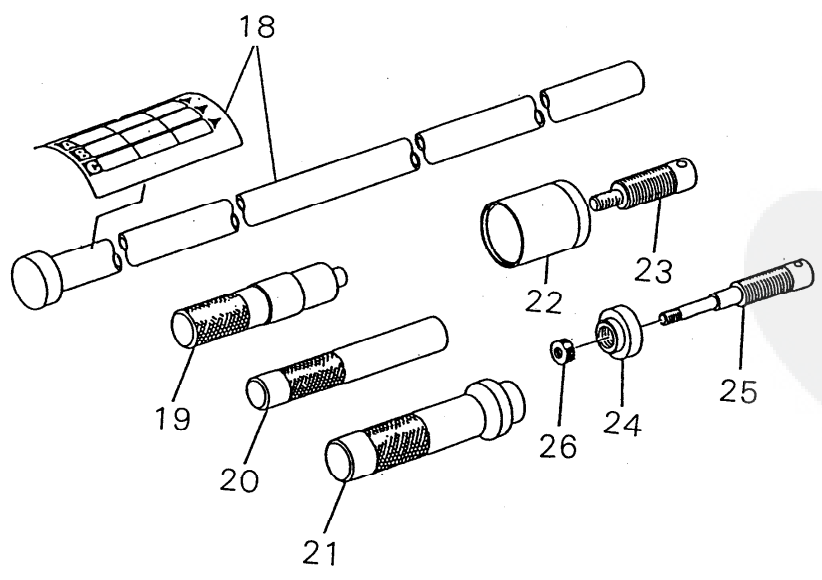
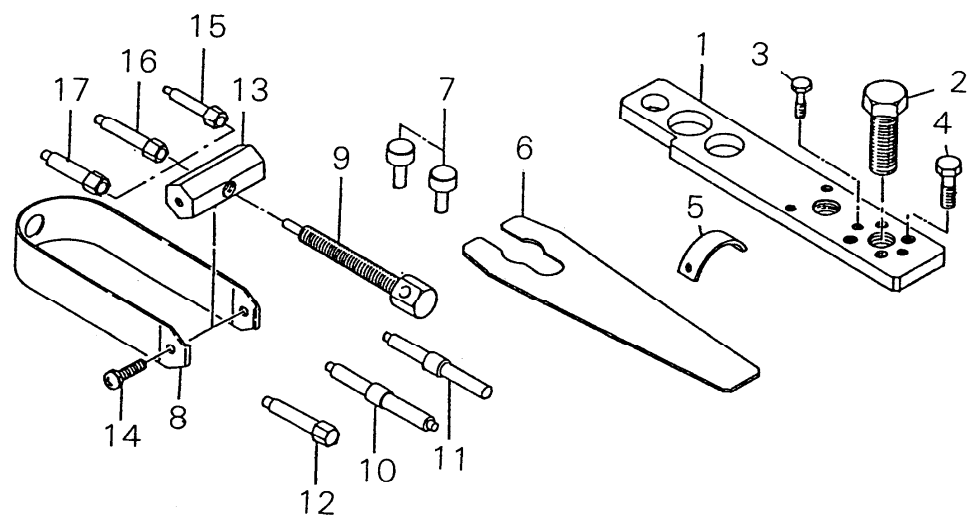
| | | | |
|-----|-------------|--------------------|---|
| 11- | 72091-14100 | BRACKETSUBASSY | 1 |
| 1 | 72051-14110 | *HANDLEBRACKET | 1 |
| 2 | 72051-14120 | *LOWERCAP | 1 |
| 3 | 72051-14131 | *UPPERCAP | 1 |
| 4 | 11022-05250 | *BOLTSPW | 6 |
| 5 | 01610-05080 | *WASHER | 1 |
| 6 | 72431-14200 | HANDLESUBASSY | 1 |
| 7 | 22421-14230 | *GRIP | 1 |
| | 72528-14503 | THROTTLELEVERASSY | 1 |
| 8 | 72431-14600 | *BODYSUBASSY | 1 |
| 9 | 72451-14530 | *LEVER | 1 |
| 10 | 72451-14540 | *LOCKLEVER | 1 |
| 11 | 72451-14550 | *BUTTON | 1 |
| 12 | 72451-14560 | *CLAMP | 1 |
| 13 | 72528-14572 | *THROTTLECABLECOMP | 1 |
| 14 | 72451-14580 | *RETURNSPRING | 1 |
| 15 | 72451-14590 | *SPRING | 1 |
| 16 | 01020-06200 | *BOLT | 1 |
| 17 | 72451-14610 | *NUT | 1 |
| 18 | 11203-05351 | *SCREWPM | 1 |
| 19 | 72451-14630 | *NUT | 1 |
| 20 | 72451-14620 | *SCREWTAPPING | 1 |
| 21 | 01501-06041 | NUT | 2 |





| | | | |
|-------|-------------|------------|---|
| 12- 1 | 72480-16113 | GUARD | 1 |
| 2 | 72480-16121 | CUTTER | 1 |
| 3 | 72480-16130 | LOWERCLAMP | 1 |
| 4 | 22420-16120 | NUT | 2 |
| 5 | 11020-05160 | BOLTSPW | 2 |
| 6 | 11022-04100 | BOLTSPW | 1 |
| 8 | 72480-16210 | UPPERCLAMP | 1 |
| 9 | 72480-16220 | SPACER | 2 |
| 10 | 11022-05500 | BOLTSPW | 1 |
| 11 | 01500-05041 | NUT | 1 |
| 12 | 01613-05080 | WASHER | 1 |
| 13 | 11022-05350 | BOLTSPW | 1 |
| 14 | 72474-17201 | STRAPASSY | 1 |
| 15 | 22020-17130 | *HOOK | 1 |
| 16 | 22007-17220 | *PROTECTOR | 1 |
| 17 | 72451-17262 | PAD | 1 |





| | | | |
|-----|-------------|----------------|---|
| 13- | 20000-96104 | PULLERASSY | 1 |
| 1 | 20000-96114 | *LEVER | 1 |
| 2 | 22100-96121 | *CENTERBOLT | 1 |
| 3 | 20000-96130 | *BOLT | 3 |
| 4 | 20000-96140 | *BOLT | 2 |
| 5 | 20000-96210 | AIRGAPGAUGE | 1 |
| 6 | 20000-96411 | ROTORSPANNER | 1 |
| 7 | 20021-96420 | STOPPER | 1 |
| | 20021-96601 | PULLERASSY | 1 |
| 8 | 20021-96611 | *PULLER | 1 |
| 9 | 20021-96621 | *BOLT | 1 |
| 10 | 20000-96631 | *GUIDEPIN | 1 |
| 11 | 20035-96630 | *GUIDEPIN | 1 |
| 12 | 20021-96630 | *GUIDEPIN | 1 |
| 13 | 20000-96640 | *BOSS | 1 |
| 14 | 01211-06120 | *SCREWSW | 2 |
| 15 | 20021-96650 | *PINADAPTER | 1 |
| 16 | 20021-96660 | *PINADAPTER | 1 |
| 17 | 20021-96670 | *PINADAPTER | 1 |
| 18 | 22000-96101 | RODBUSHINGASSY | 1 |
| 19 | 22035-96210 | ROD626DDU | 1 |
| 20 | 22035-96310 | ROD608ZZ | 1 |
| 21 | 22035-96410 | ROD6000 | 1 |
| | 22035-96500 | PULLERSUBASSY | 1 |
| 22 | 22035-96510 | *PULLER | 1 |
| 23 | 22035-96520 | *BOLT | 1 |
| | 22035-96600 | PULLERSUBASSY | 1 |
| 24 | 22035-96610 | *HOLDER | 1 |
| 25 | 22000-96621 | *BOLT | 1 |
| 26 | 22000-96630 | *NUT | 1 |

