

Shindaiwa Illustrated Parts List

C230s EC1 Brushcutter

CYLINDER.....	2
CRANKCASE.....	3
PISTON.....	4
ROTOR.....	5
RECOIL STARTER.....	6
CARBURETOR.....	7
FUEL TANK.....	8
OUTER PIPE / MAIN SHAFT.....	9
GEAR CASE.....	10
THROTTLE LEVER / HANDLE.....	11
GUARD SET / STRAP.....	12
BLADE COVER.....	13
TOOL SET.....	13

www.shindaiwa.com

11975 SW Herman Road

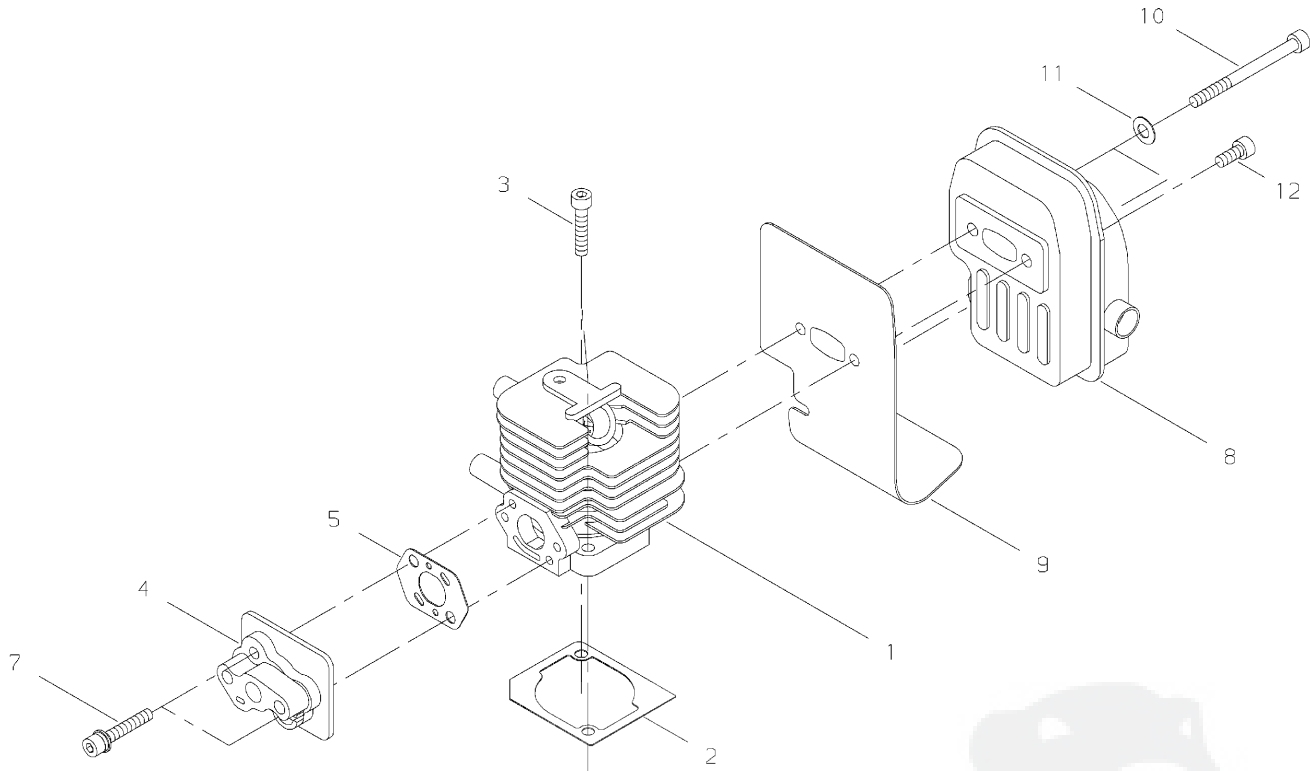
Tualatin, Oregon 97062, U.S.A.

1 + 503.692.3070 • fax 1 + 503.692.6696 •

shindaiwa

CYLINDER

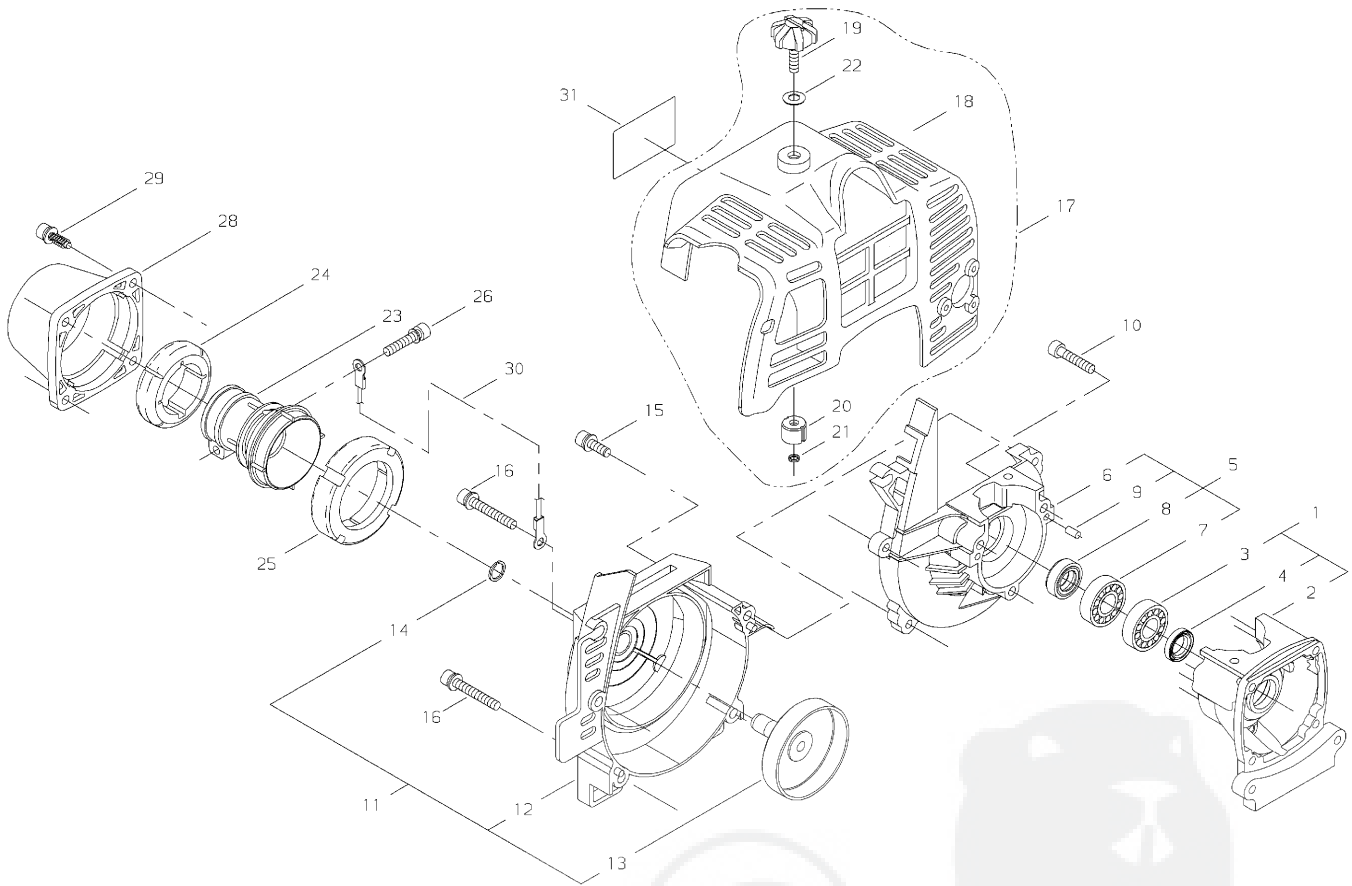
ILLUSTRATION 1 - REV 9/05



Ref. No	Part No.	Part Name	Q'ty
1-1	62809-12111	CYLINDER	1
2	20016-12120	GASKET	1
3	01020-05250	BOLT	2
4	20016-12213	INSULATOR	1
5	20016-12222	GASKET	1
7	11022-05300	BOLT SW	2
8	70135-15110	MUFFLER	1
9	20016-15123	GASKET	1
10	01020-05500	BOLT	2
11	01610-05080	WASHER	2
12	01020-05120	BOLT	1

CRANKCASE

ILLUSTRATION 2 - REV 9/05



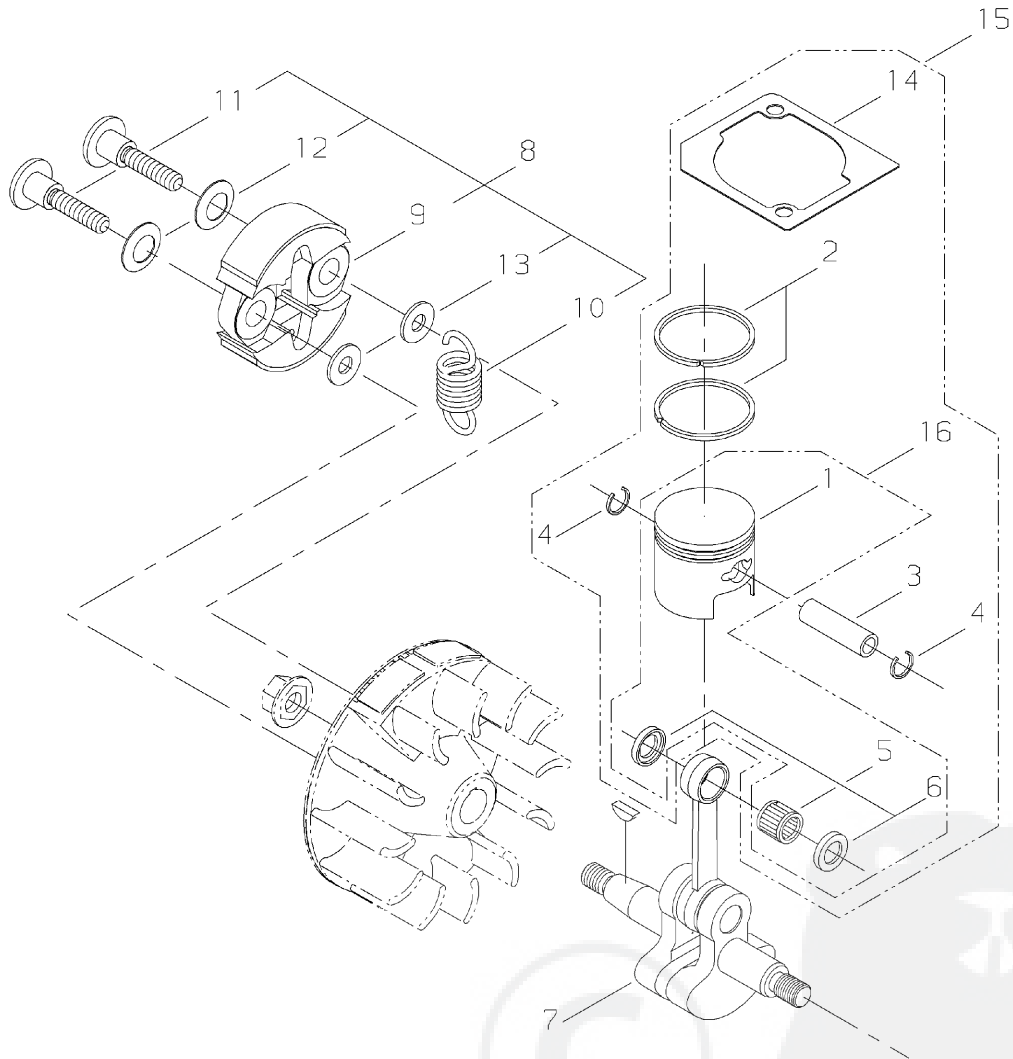
Ref. No	Part No.	Part Name	Q'ty
2-1	20016-21100	CRANKCASE S COMP.	1
2	20016-21111	*CRANKCASE S	1
3	12900-60010	*BEARING	1
4	22150-21250	*OIL SEAL	1
5	20016-21200	CRANKCASE M COMP.	1
6	20016-21120	*CRANKCASE M	1
7	12900-60010	*BEARING	1
8	20000-21211	*OIL SEAL	1
9	12492-40080	*ROLLER	2
10	01020-05250	BOLT	3
11	62078-31010	FAN COVER ASSEMBLY	1
12	70140-31112	*FAN COVER	1
13	20016-31212	*CLUTCH DRUM	1
14	20000-31140	*SNAP RING	1
15	11022-05160	BOLT SPW	2

Ref. No	Part No.	Part Name	Q'ty
16	11022-05450	BOLT SPW	2
17	37027-32100	CYLINDER COVER ASSEMBLY	1
18	70140-32111	*CYLINDER COVER	1
19	20018-31251	*KNOB	1
20	20018-31260	*INSULATOR	1
21	20018-31270	*CLIP	1
22	20024-81790	*CONE WASHER	1
23	20018-31411	JOINT	1
24	20018-31420	FRONT CUSHION	1
25	20018-31430	REAR CUSHION	1
26	11023-05250	BOLT SW	1
28	70135-31470	CAP	1
29	70140-31480	BOLT PC	4
30	70192-31510	EARTH CORD	1
31	62111-91320	LABEL TRADE	1

* Denotes item is part of an assembly ** Denotes item is part of a sub-assembly

PISTON

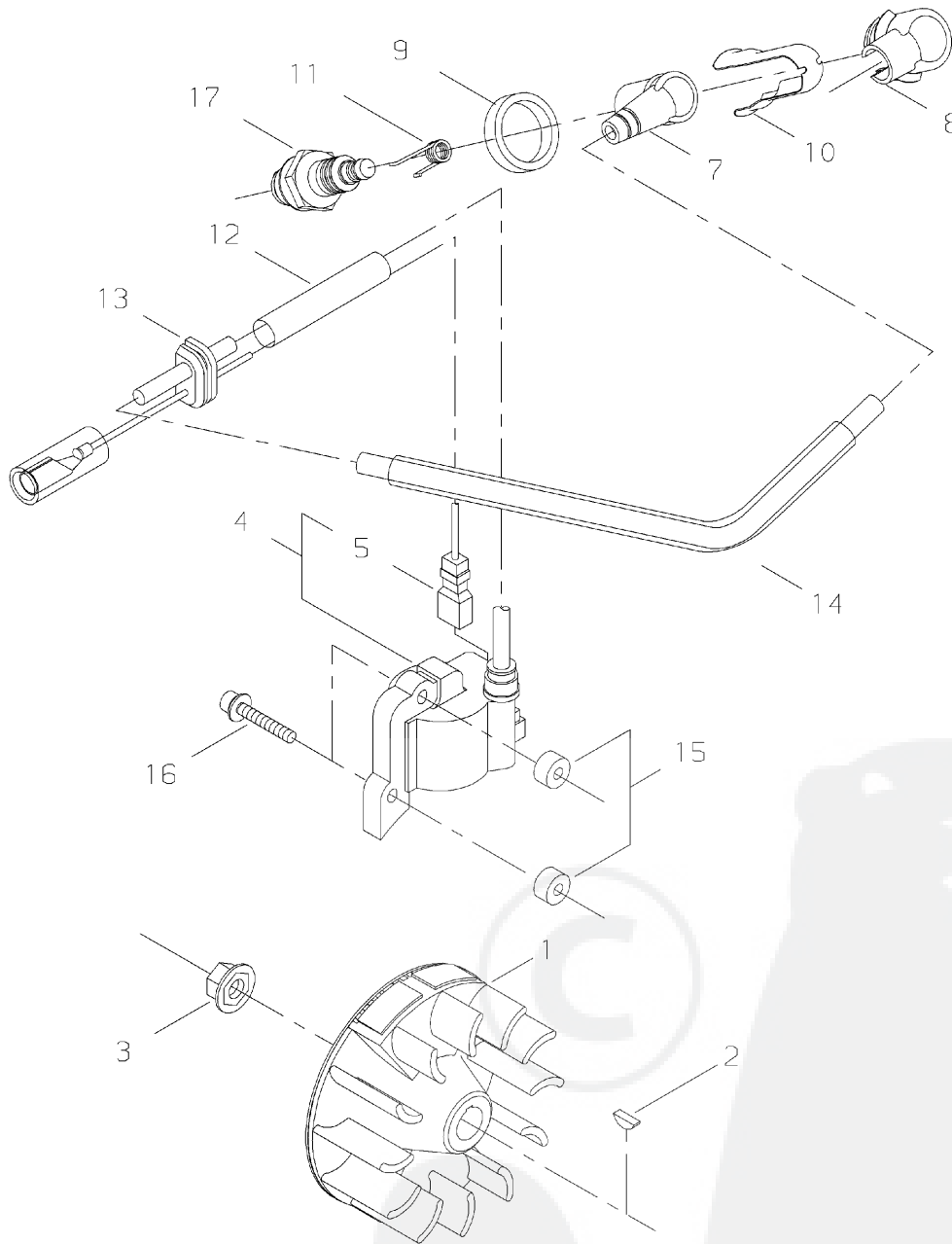
ILLUSTRATION 3 - REV 9/05



Ref. No	Part No.	Part Name	Q'ty
3-15	70234-98011	PISTON SET	1
16	70234-98310	*PISTON SET	1
1	20075-41111	**PISTON	1
5	37013-41230	**NEEDLE BEARING	1
6	37013-41240	**THRUST WASHER	2
2	20000-41210	*PISTON RING	2
3	20016-41310	*PISTON PIN	1
4	70030-41320	*SNAP RING	2
14	20016-12120	*GASKET	1
7	20016-42002	CRANKSHAFT ASSEMBLY	1
8	20087-51101	CLUTCH SHOE ASSEMBLY	1
9	20035-51111	*CLUTCH SHOE	2
10	20035-51221	*CLUTCH SPRING	1
11	20087-51210	*BOLT	2
12	20087-51231	*SPRING PLATE	2
13	22100-71430	*WASHER	2

ROTOR

ILLUSTRATION 4 - REV 9/05



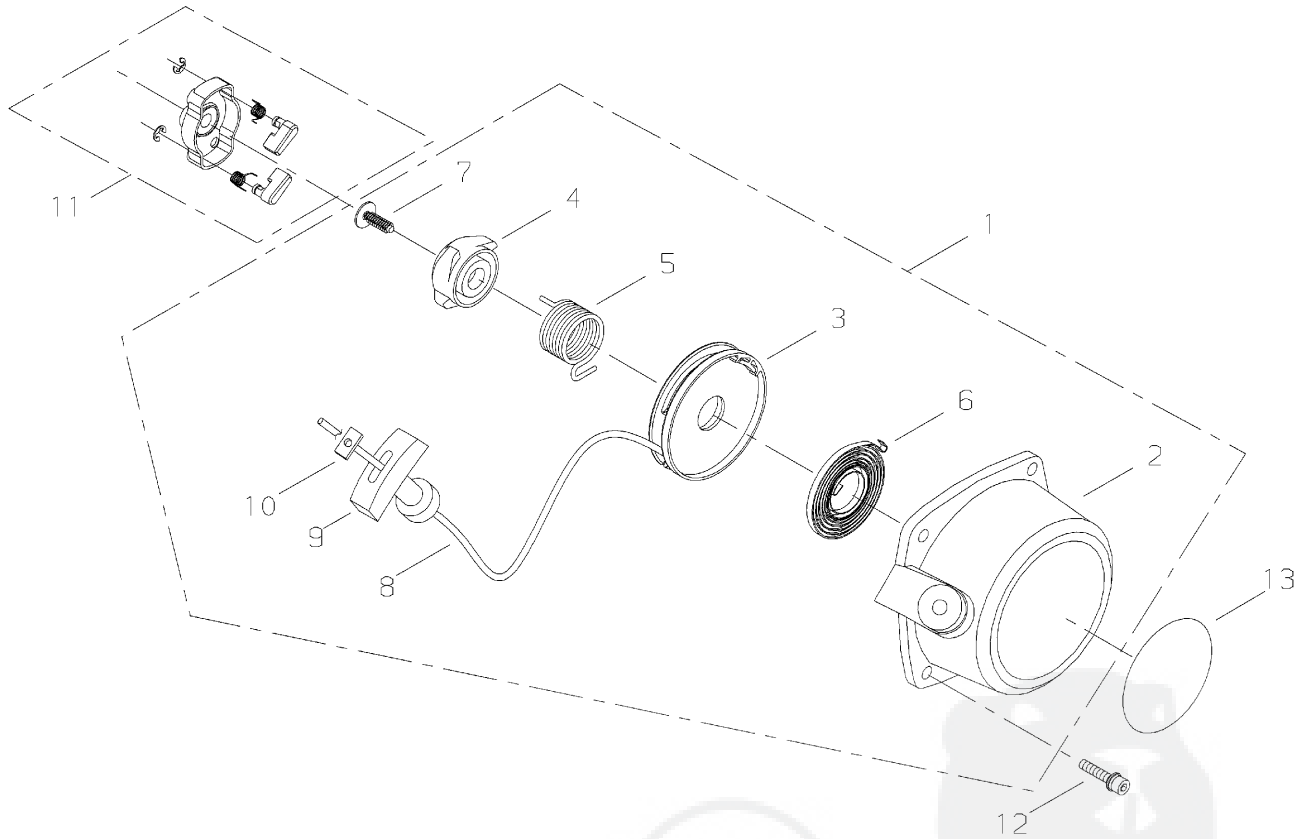
Ref. No	Part No.	Part Name	Q'ty
4-1	20016-71200	ROTOR	1
2	02403-03100	KEY	1
3	20035-71220	NUT	1
4	20016-71601	COIL ASSEMBLY	1
5	20016-71641	*CORD	1
7	20010-72221	PLUG CAP	1
8	20000-72241	PLUG CAP COVER	1
9	20000-72250	COVER BAND	1

Ref. No	Part No.	Part Name	Q'ty
10	70180-72260	SHIELD	1
11	20000-72230	SPRING SPARK PLUG	1
12	20016-71651	TUBE	1
13	20010-72110	GROMMET	1
14	20016-71660	TUBE	1
15	70030-71620	INSULATOR	2
16	11024-04261	BOLT SLPW	2
17	13000-13406	SPARK PLUG BMR6A	1

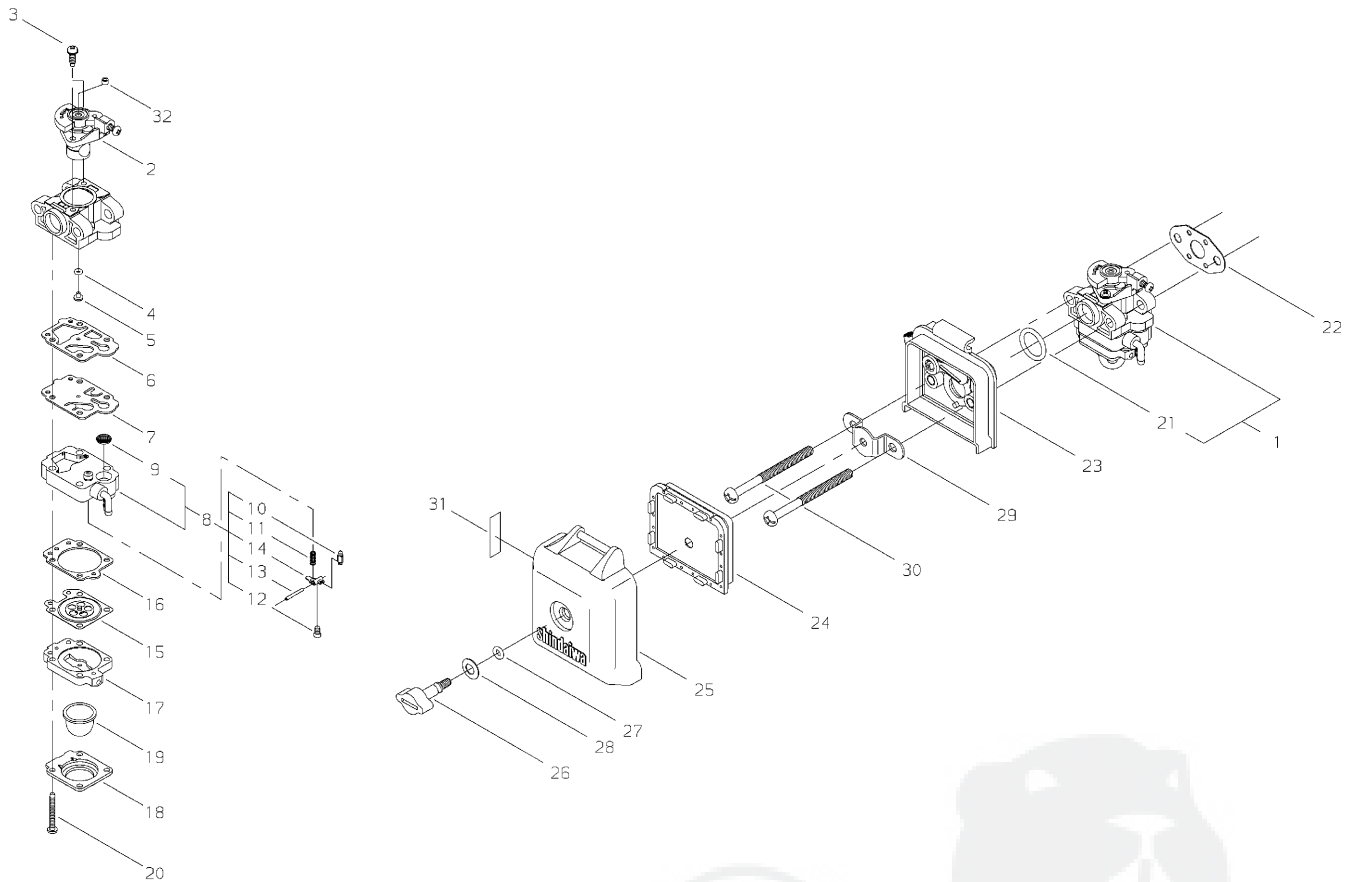
* Denotes item is part of an assembly ** Denotes item is part of a sub-assembly

RECOIL STARTER

ILLUSTRATION 5 - REV 9/05



Ref. No	Part No.	Part Name	Q'ty
5- 1	37076-75010	RECOIL STARTER ASSEMBLY	1
2	37076-75110	*STARTER CASE	1
3	37076-75120	*REEL	1
4	37076-75310	*CAM	1
5	37076-75320	*COIL SPRING	1
6	70030-75130	*RECOIL SPRING	1
7	37013-75310	*SCREW	1
8	37076-75140	*ROPE	1
9	20010-75190	*STARTER KNOB	1
10	20010-75210	*STOPPER	1
11	62110-75020	STARTER PULLEY ASSEMBLY	1
12	11060-04122	BOLT ADHESIVE	4
13	70117-75311	NAME PLATE	1



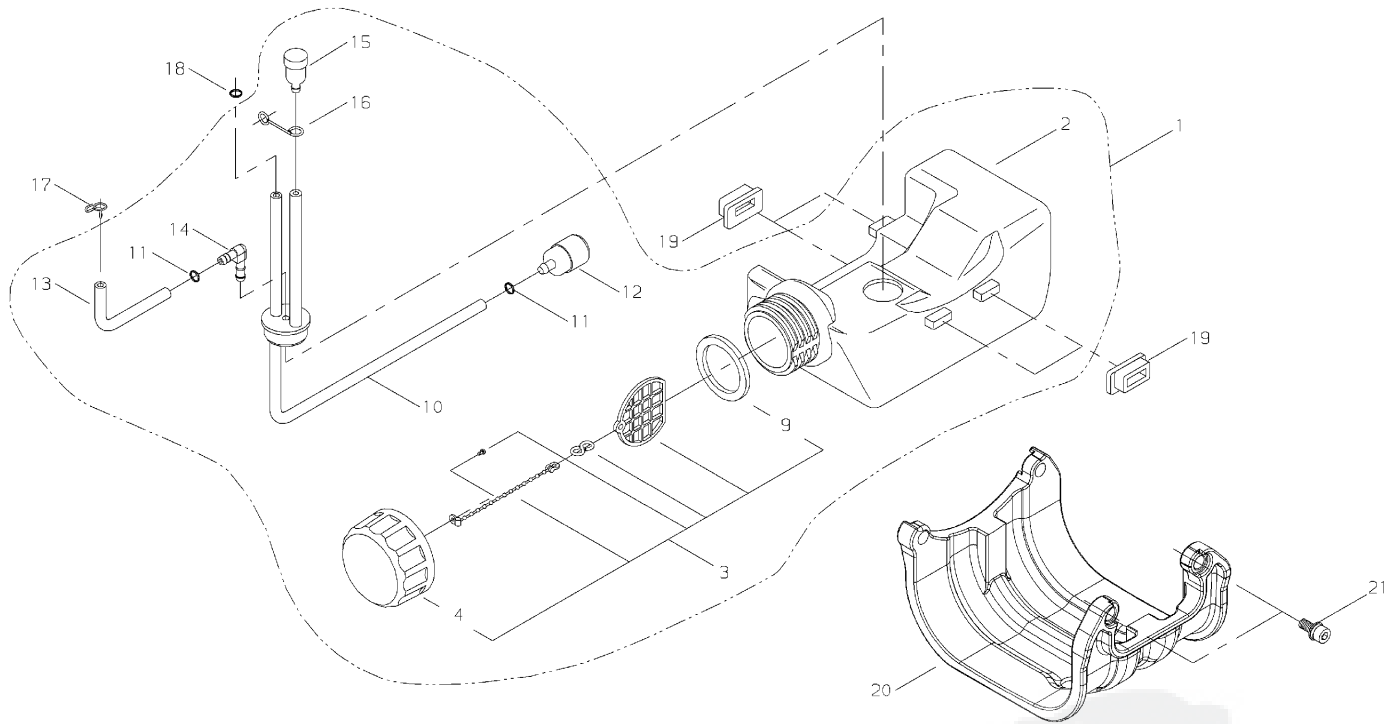
Ref. No	Part No.	Part Name	Q'ty
6-1	62064-81011	CARBURETOR ASSEMBLY	1
2	20016-81180	*VALVE ASSEMBLY	1
3	70064-81290	*SCREW	2
4	70097-81220	*O RING	1
5	62064-81310	*MAIN JET	1
6	70097-81310	*GASKET PUMP	1
7	70097-81320	*DIAPHRAGM	1
8	20016-81410	*PUMP BODY COMP.	1
9	70030-81380	**SCREEN	1
10	20036-81440	**NEEDLE VALVE	1
11	20016-81270	**SPRING	1
12	20016-81450	**SCREW	1
13	22100-81250	**PIN	1
14	22100-81230	**LEVER	1
15	37013-81310	*DIAPHRAGM	1
16	20016-81280	*GASKET	1

Ref. No	Part No.	Part Name	Q'ty
17	20016-81420	*PUMP BASE COMP	1
18	20016-81510	*PUMP COVER	1
19	20036-81670	*PRIMER PUMP	1
20	20016-81140	*SCREW	4
21	20016-81250	*O RING	1
22	20016-81530	GASKET	1
23	70140-81710	CLEANER BODY COMP.	1
24	60023-98031	FILTER	1
25	70140-81760	CLEANER COVER	1
26	20115-81780	KNOB CLEANER COVER	1
27	22100-82430	O RING	1
28	20024-81790	CONE WASHER	1
29	20018-81721	BACK PLATE	1
30	11203-05608	SCREW PMSW	2
31	19404-00008	LABEL CHOKE	1

* Denotes item is part of an assembly ** Denotes item is part of a sub-assembly

FUEL TANK

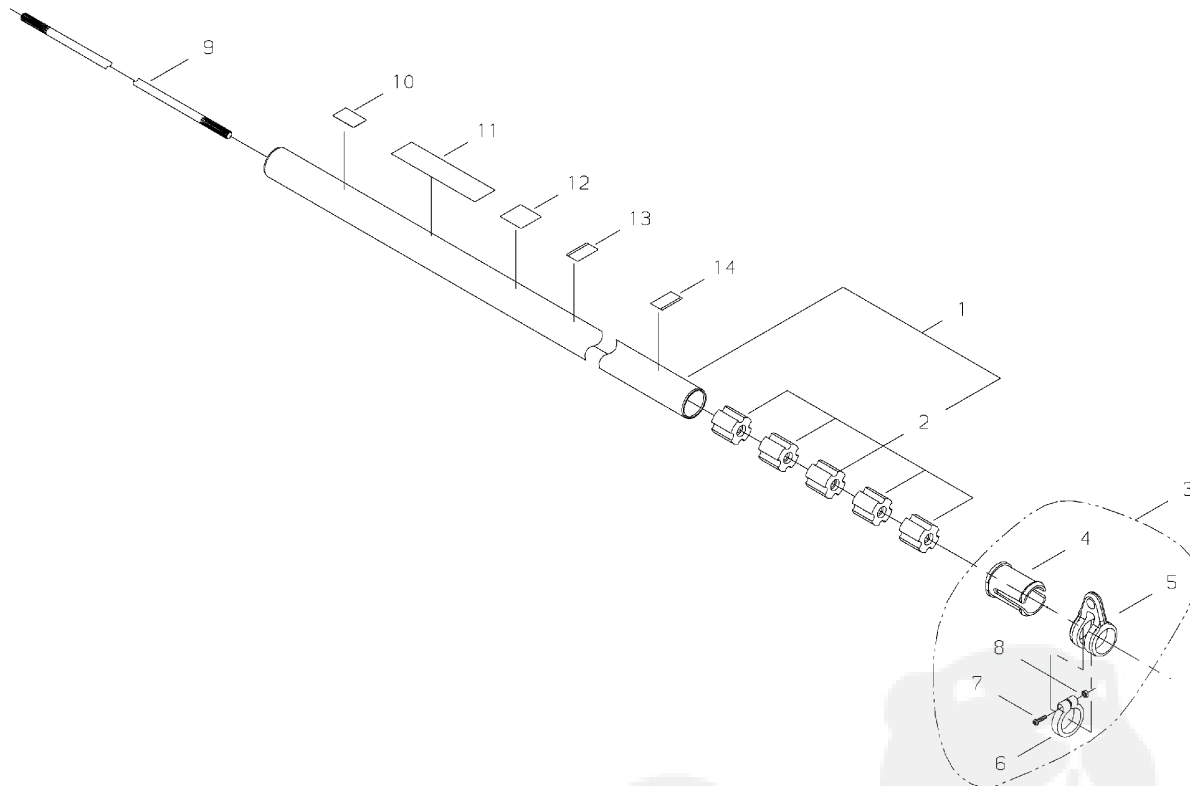
ILLUSTRATION 7 - REV 9/05



Ref. No	Part No.	Part Name	Q'ty
7-1	70192-85001	FUEL TANK ASSEMBLY	1
2	20016-85112	*FUEL TANK	1
3	70168-85201	*FUEL CAP ASSEMBLY	1
4	70168-85210	**FUEL CAP	1
9	20000-85221	**GASKET	1
10	20016-85310	*FUEL PIPE	1
11	20020-85540	*CLIP	2
12	20016-85400	*FUEL FILTER	1
13	20089-83311	*PIPE	1
14	20087-85340	*JOINT	1
15	20035-85522	*VALVE	1
16	20016-12310	*VALVE HOLDER	1
17	37013-85310	CLIP	1
18	20020-85540	CLIP	1
19	20024-86120	TANK CUSHION	4
20	62902-85320	TANK GUARD	1
21	11022-05180	BOLT SPW	2

OUTER PIPE / MAIN SHAFT

ILLUSTRATION 8 - REV 9/05

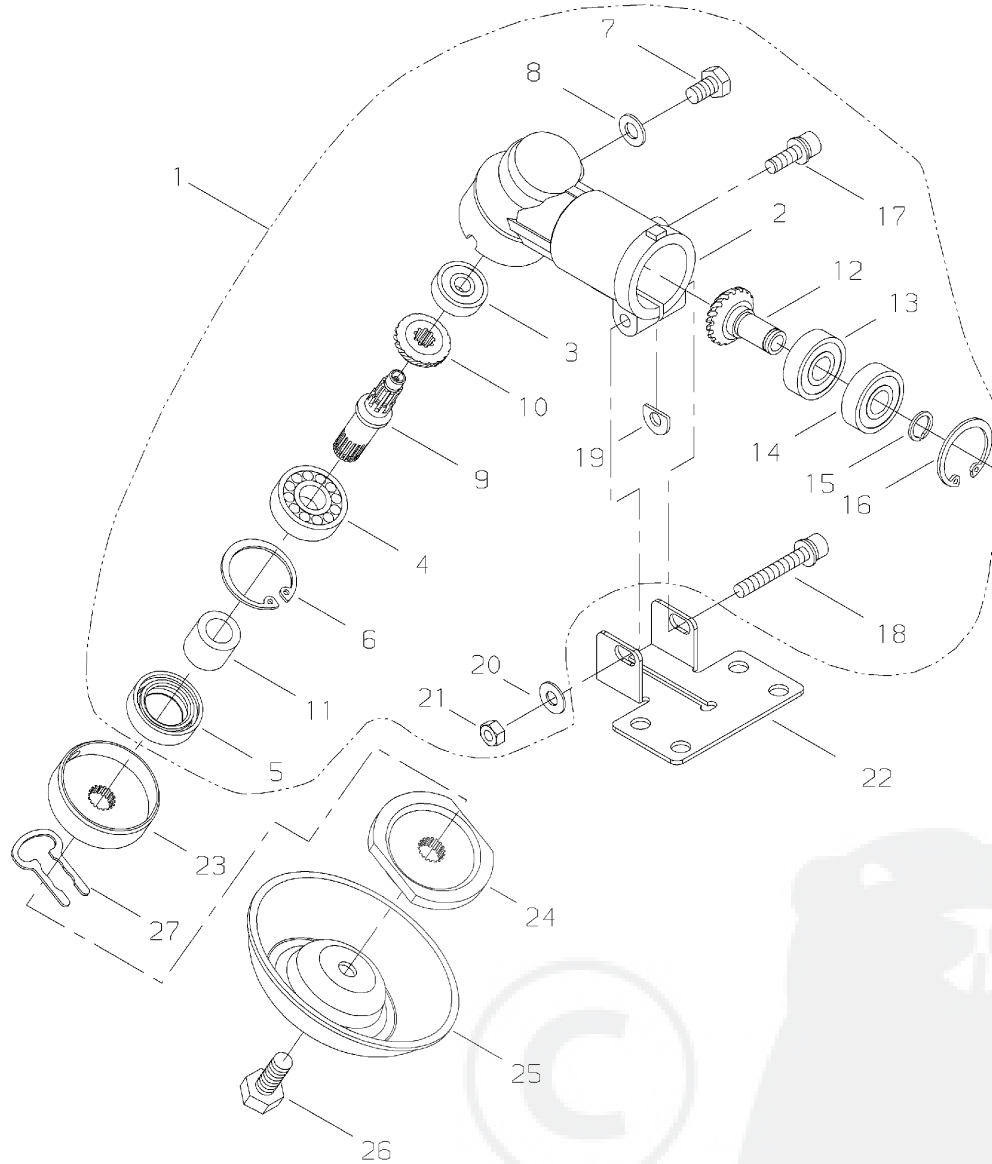


Ref. No	Part No.	Part Name	Q'ty
8- 1	72432-12100	OUTER PIPE COMP.	1
2	22035-12120	*BUSH	5
3	33008-62340	HANGER ASSEMBLY	1
4	33008-62321	*COLLAR	1
5	33008-62151	*HANGER	1
6	33008-62311	*CLAMP	1
7	11203-04160	*SCREW PM	1
8	01500-04031	*NUT	1
9	22070-12410	MAINSHAFT	1
10	19402-00223	LABEL CAUTION	1
11	19422-00010	LABEL CAUTION	1
12	19404-00036	LABEL DECIBEL	1
13	72017-12150	HANDLE LABEL	1
14	72005-12140	CAUTION PLATE	1

* Denotes item is part of an assembly ** Denotes item is part of a sub-assembly

GEAR CASE

ILLUSTRATION 9 - REV 9/05

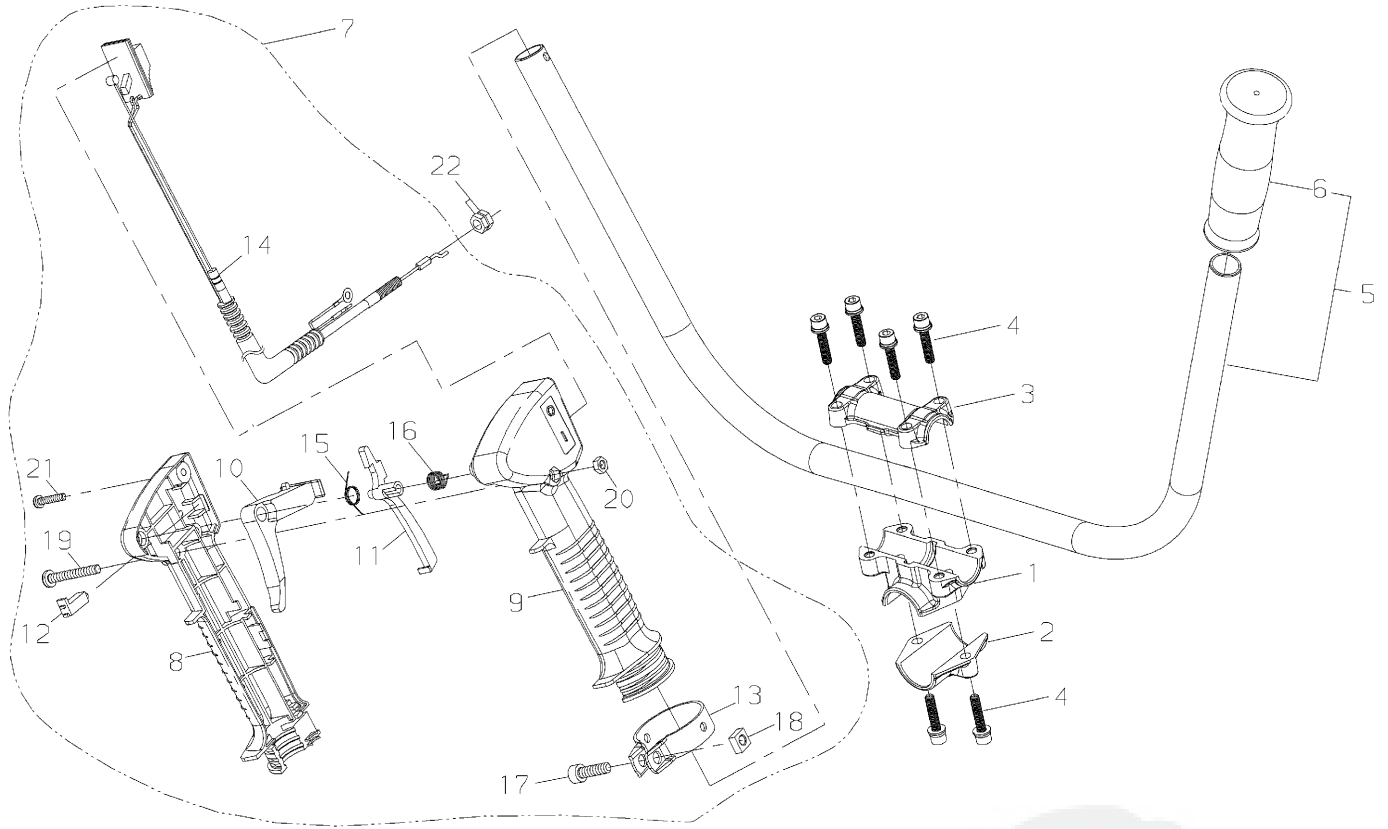


Ref. No	Part No.	Part Name	Q'ty
9- 1	63901-63022	GEARCASE SUB ASSEMBLY	1
2	22035-13113	*GEARCASE	1
3	02006-00626	*BEARING	1
4	02000-06000	*BEARING	1
5	22035-13140	*OIL SEAL	1
6	02432-26120	*SNAP RING	1
7	01014-06100	*BOLT	1
8	22000-13410	*GASKET	1
9	22410-13210	*GEARSHAFT	1
10	22035-13220	*BEVEL GEAR	1
11	22035-13230	*COLLAR	1
12	22035-13391	*PINION SET	1
13	02000-00608	*BEARING	1

Ref. No	Part No.	Part Name	Q'ty
14	02002-00608	*BEARING	1
15	22035-13340	*SNAP RING	1
16	02432-22100	*SNAP RING	1
17	11022-05160	*BOLT SPW	1
18	11022-05350	*BOLT SPW	1
19	22000-13420	*SHIM	1
20	01613-05080	*WASHER	1
21	01500-05041	*NUT	1
22	72480-16130	LOWER CLAMP	1
23	22035-13242	HOLDER A	1
24	22410-13251	HOLDER B	1
25	62006-63310	STABILIZER	1
26	22035-13271	BOLT	1
27	22410-13530	SLIDE CLIP	1

THROTTLE LEVER / HANDLE

ILLUSTRATION 10 - REV 9/05

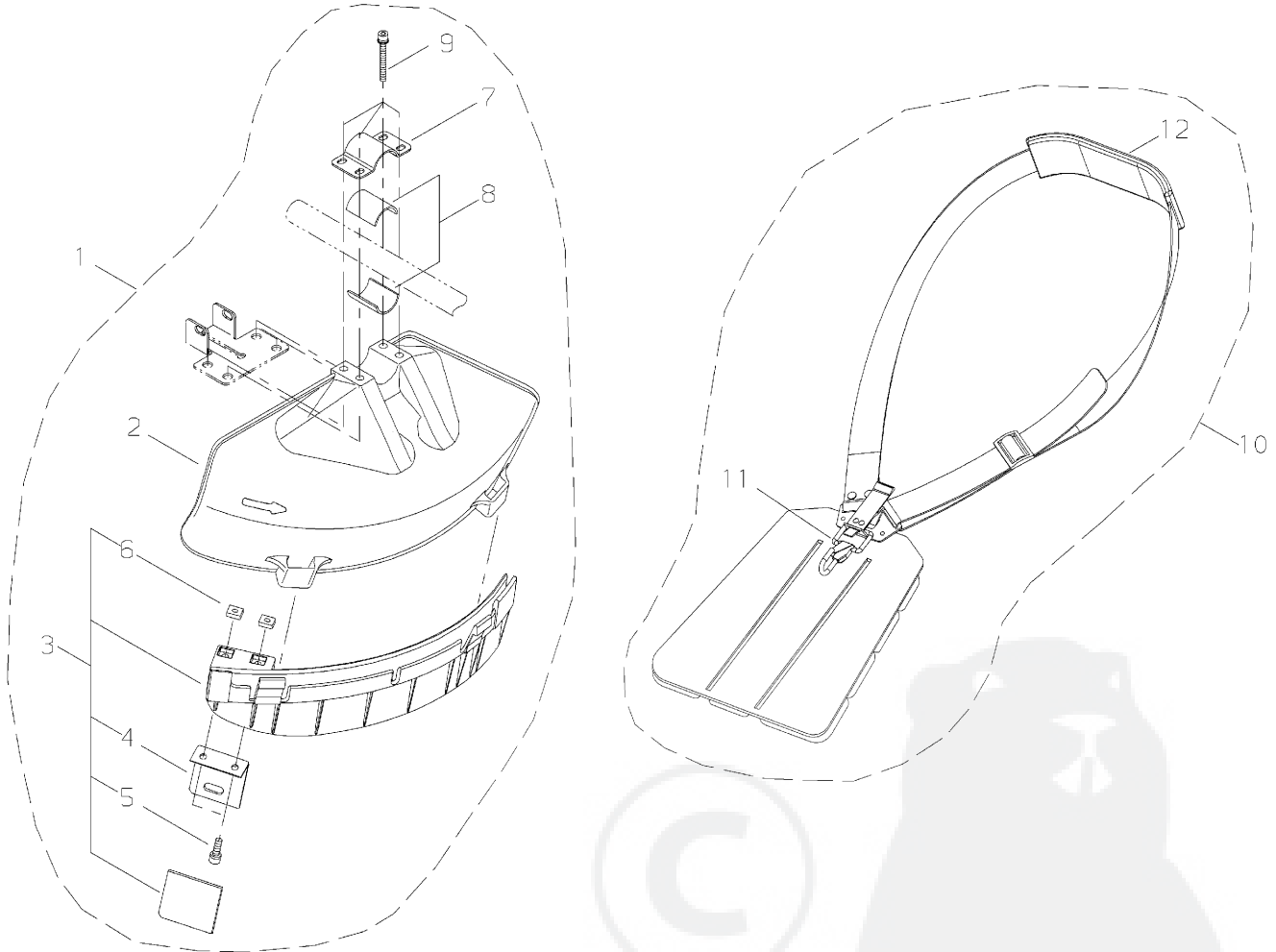


Ref. No	Part No.	Part Name	Q'ty
10- 1	34004-64110	BRACKET	1
2	34004-64120	LOWER CAP	1
3	34004-64130	UPPER CAP	1
4	11022-05250	BOLT SPW	6
5	72431-14200	HANDLE SUB ASSEMBLY	1
6	22421-14230	*GRIP	1
7	62097-64250	THROTTLE LEVER ASSEMBLY	1
8	72431-14510	*BODY RIGHT	1
9	72431-14520	*BODY LEFT	1
10	72451-14530	*LEVER	1
11	72451-14540	*LOCK LEVER	1
12	72451-14550	*BUTTON	1
13	72451-14560	*CLAMP	1
14	72528-14572	*THROTTLE CABLE COMP.	1
15	72451-14580	*RETURN SPRING	1
16	72451-14590	*SPRING	1
17	01020-06200	*BOLT	1
18	72451-14610	*NUT	1
19	11203-05351	*SCREW PM	1
20	72451-14630	*NUT	1
21	72451-14620	*SCREW TAPPING	1
22	01501-06041	NUT	2

* Denotes item is part of an assembly ** Denotes item is part of a sub-assembly

GUARD SET / STRAP

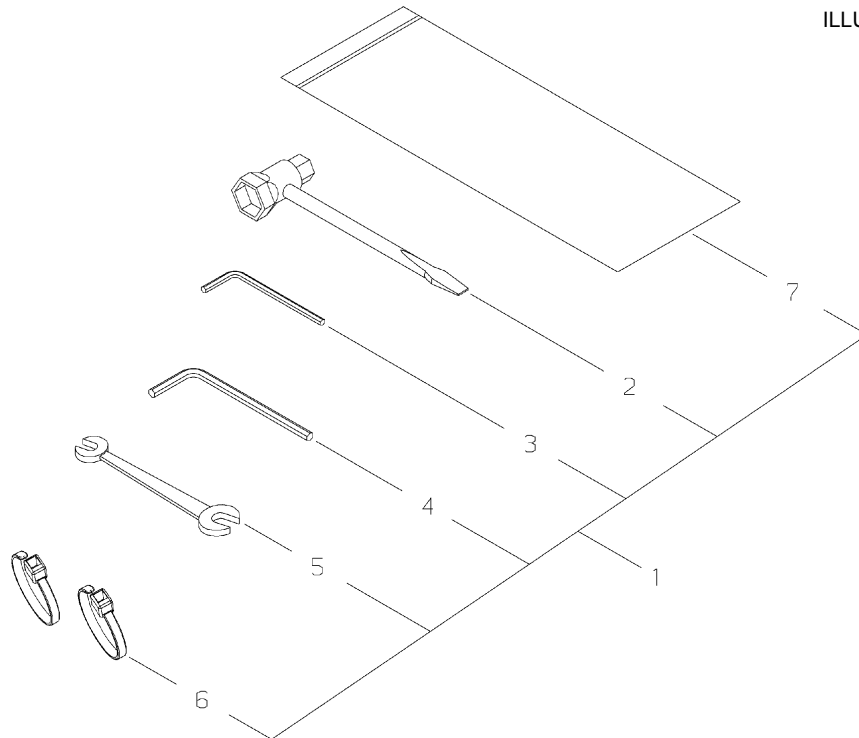
ILLUSTRATION 11 - REV 9/05



Ref. No	Part No.	Part Name	Q'ty
11- 1	62903-66321	GUARD SET	1
2	62903-66110	*GUARD	1
3	62903-66331	*SUB GUARD ASSEMBLY	1
4	72480-16121	**CUTTER	1
5	11020-05160	**BOLT SW	2
6	22420-16120	**NUT	2
7	72480-16210	*UPPER CLAMP	1
8	72480-16220	*SPACER	2
9	11022-05450	*BOLT SPW	4
10	72474-17201	STRAP ASSEMBLY	1
11	22421-17130	*HOOK	1
12	72451-17330	*PROTECTOR	1

TOOL SET

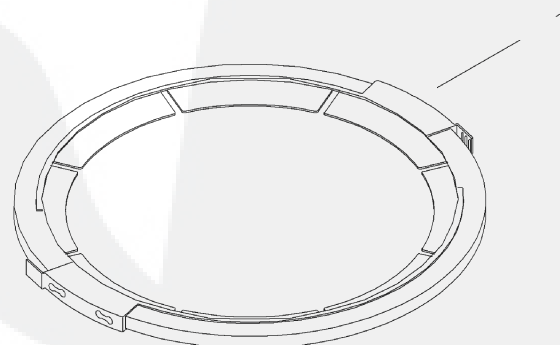
ILLUSTRATION 12 - REV 9/05



Ref. No	Part No.	Part Name	Q'ty
12- 1	72528-91001	TOOL SET	1
2	22000-91181	*PLUG WRENCH	1
3	09026-04001	*HEXA WRENCH 5MM	1
4	09026-05001	*HEXA WRENCH 6MM	1
5	22000-91120	*SPANNER	1
6	72431-12190	*BAND	2
7	19639-01400	*TOOL BAG	1

BLADE COVER

ILLUSTRATION 13 - REV 9/05



Ref. No	Part No.	Part Name	Q'ty
13-1	22550-92310	BLADE COVER	1

* Denotes item is part of an assembly ** Denotes item is part of a sub-assembly



shindaiwa

www.shindaiwa.com

11975 SW Herman Road, Tualatin, Oregon 97062, U.S.A.

1 + 503.692.3070 • fax 1 + 503.692.6696 •

Item #xxxx Effective 09/05