

shindaiwa

PARTS PRICE LIST

C 2 5 0

SHIN-DAIWA KOGYO CO., LTD.

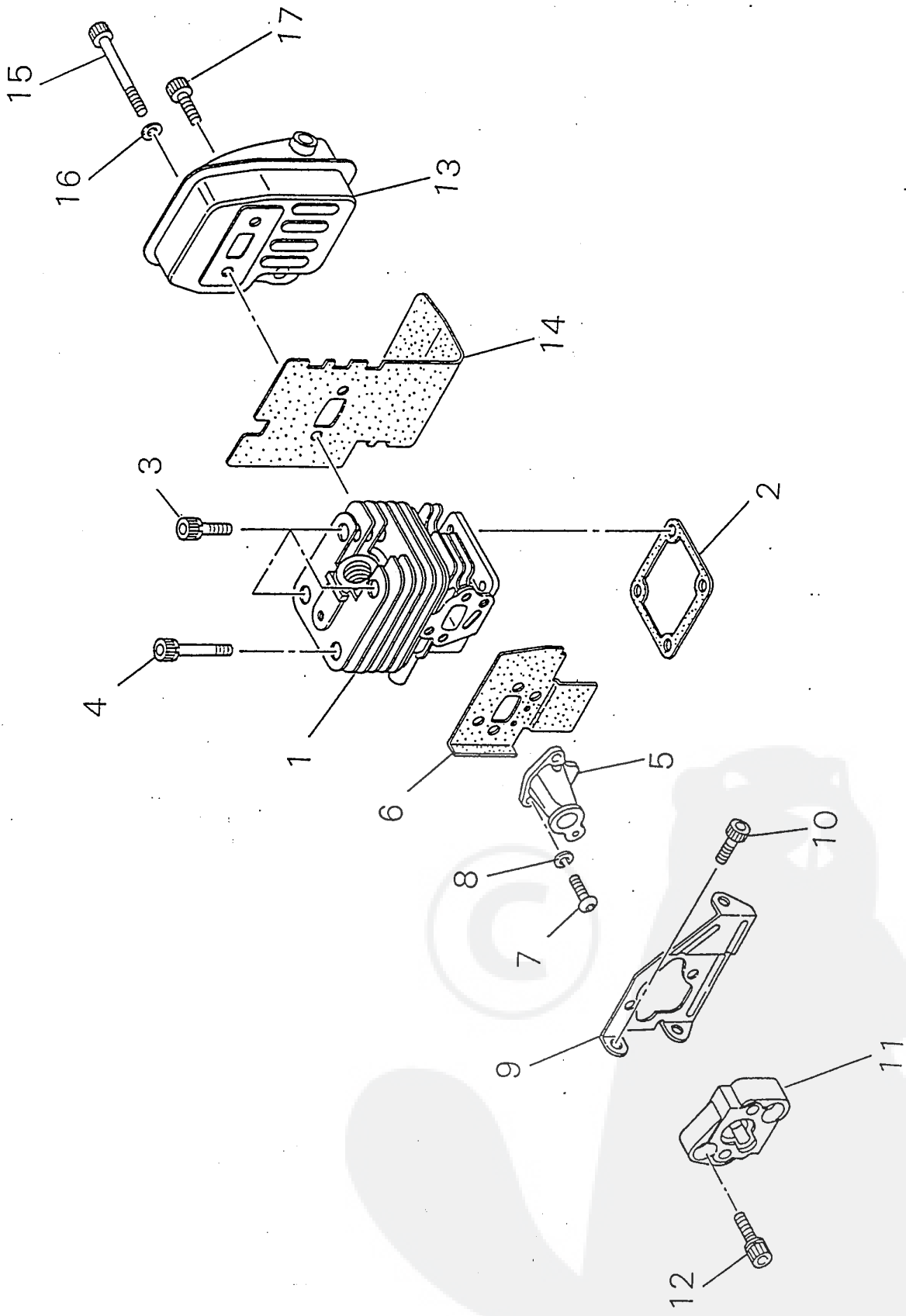
35, Ooaza Shin-Ujigami, Chiyoda-cho Yamagata-gun, Hiroshima, 731-15 Japan

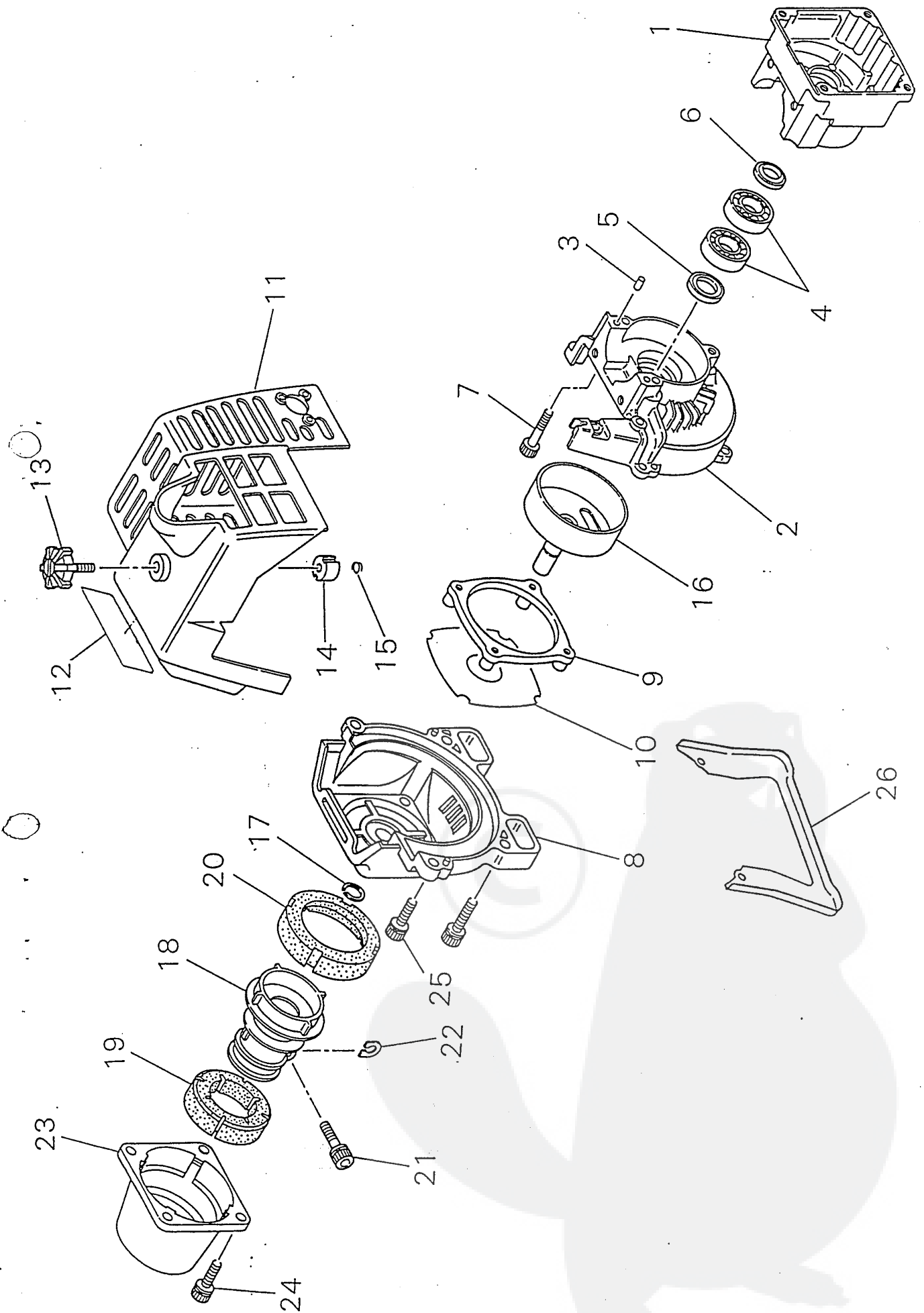
Telephone (082672) 6019 SDKHIR Fax (082672) 7005

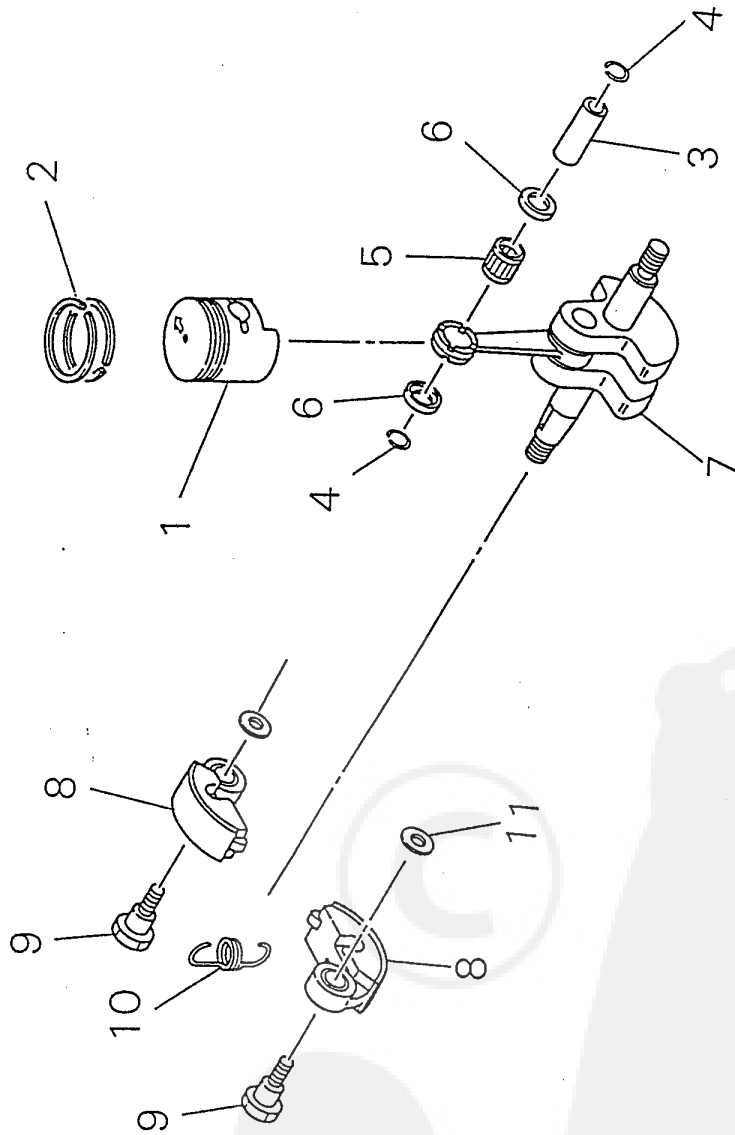
Cable Address SHINDAIWA HIROSHIMA

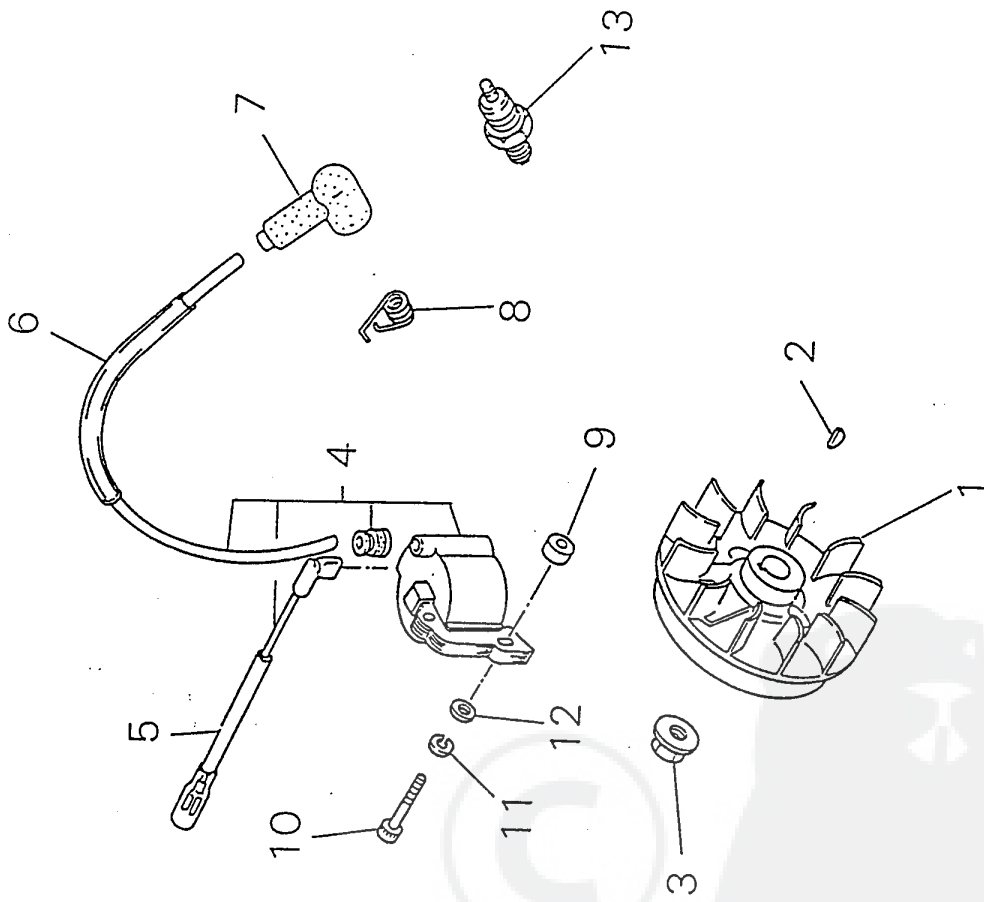
C250/VK

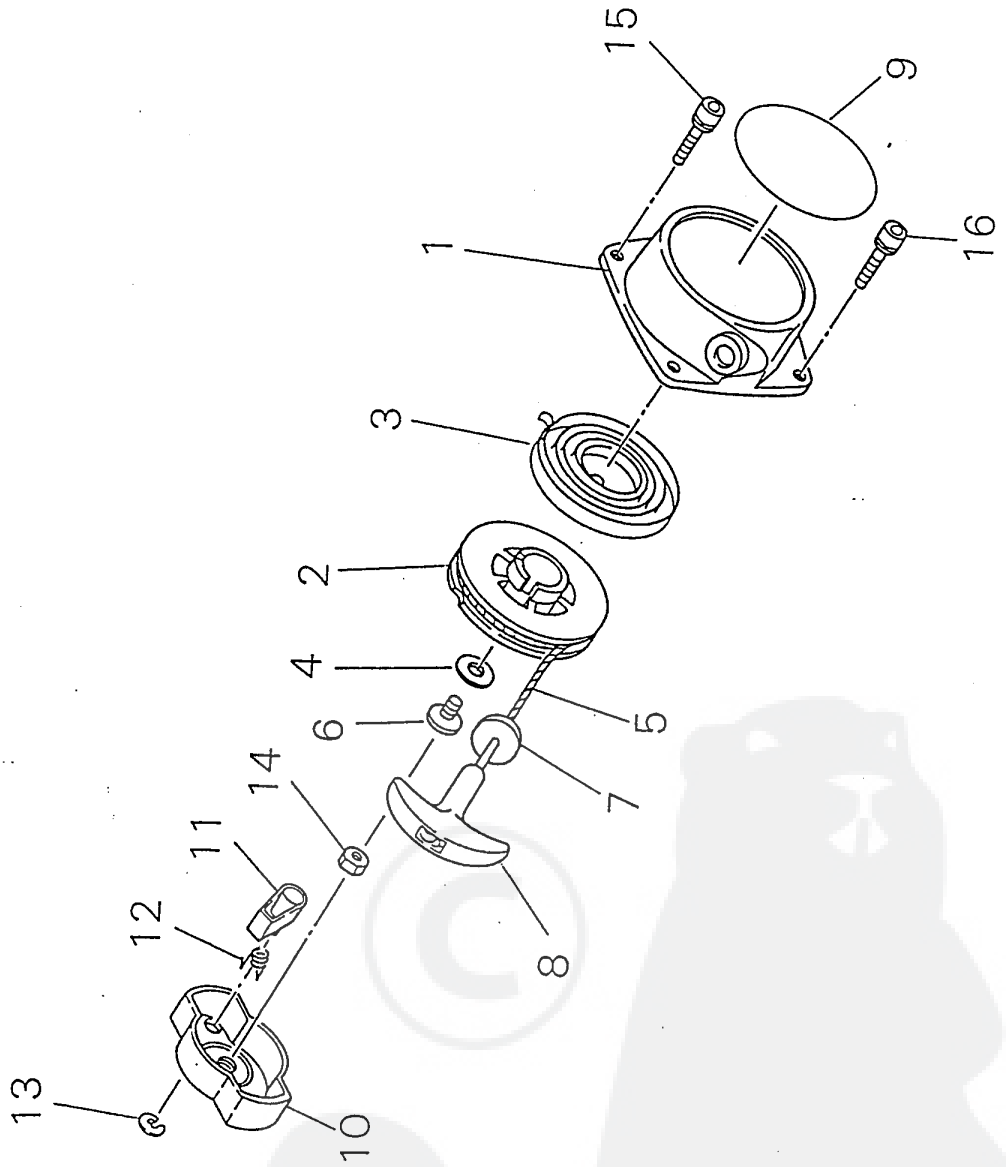
NOV 25 1992

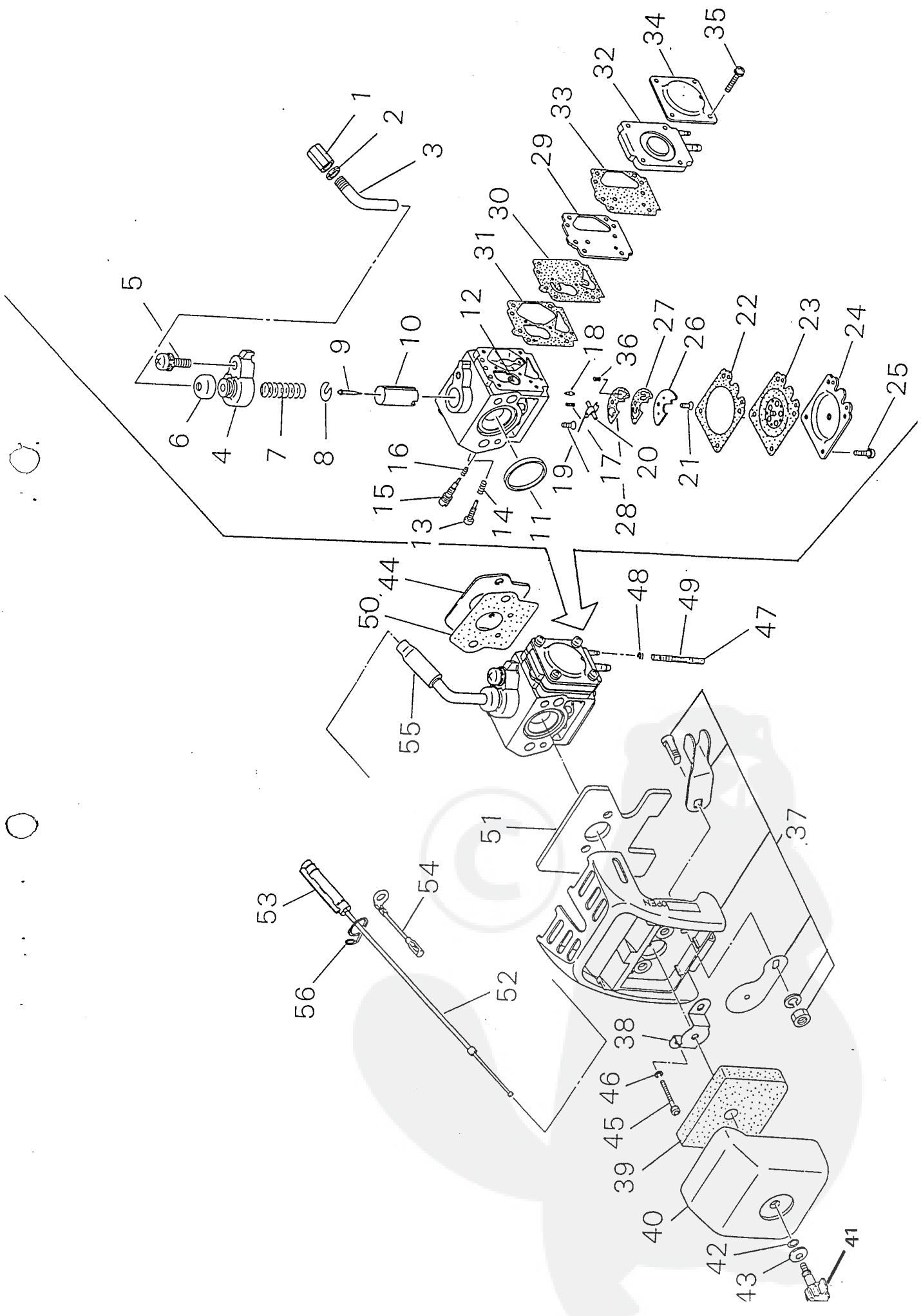












PRICE:(¥)

Ref. No	Part No.	Part Name	Qty	Unit Price	Remarks
6-	70139-81001	CARBURETOR ASSY	1	12,900	
	20019-81021	* CARBURETOR SUB ASSY	1	10,200	
1	20055-81810	** CABLE ADJUSTER	1	680	
2	20000-81260	** LOCK NUT	1	70	
3	70107-81830	** ADJUST PIPE	2	510	
4	20019-81111	** BODY TOP COMP	1	3,010	
5	20019-81120	** SCREW	1	40	
6	20055-81130	** CAP	1	110	
7	20000-81140	** SPRING THROTTLE	1	120	
8	20000-81150	** SPRING RECEIVE	1	60	
9	20019-81171	** JET NEEDLE	1	650	
10	20019-81181	** THROTTLE VALVE	1	3,200	
11	20019-81280	** RING GASKET	1	140	
12	20019-81290	** SCREEN	1	180	
13	20019-81310	** SLOW STOP SCREW	1	110	
14	72920-81820	** SPRING	1	50	
15	20070-81350	** MAIN ADJUST SCREW	1	710	
16	20011-81360	** SPRING	1	50	
17	20040-81430	** SPRING	1	140	
18	20019-81440	** NEEDLE VALVE	1	610	
19	20019-81450	** CONTROL LEVER	1	230	
20	20011-81460	** PIN	1	120	
21	20011-81470	** SCREW	2	40	
22	20019-81510	** GASKET	1	90	
23	20019-81520	** DIAPHRAGM ASSY	1	1,150	
24	20019-81530	** COVER DIAPHRAGM	1	350	
25	20000-81540	** SCREW	4	30	
26	20019-81560	** PLATE	1	280	
27	20019-81570	** CHECK VALVE	1	320	
28	20019-81580	** GASKET	1	110	
29	20019-81610	** PUMP PLATE	1	180	
30	20019-81620	** DIAPHRAGM PUMP	1	420	
31	20019-81630	** GASKET	1	110	
32	20019-81640	** PUMP COVER	1	850	
33	20019-81660	** GASKET	1	110	
34	20019-81670	** COVER DIAPHRAGM	1	430	
35	20019-81680	** SCREW	4	40	
36	20011-81680	** SPRING	1	100	

PARTS LIST
SHINDAIWA
(L138 LIA0380P)

C250/VK

