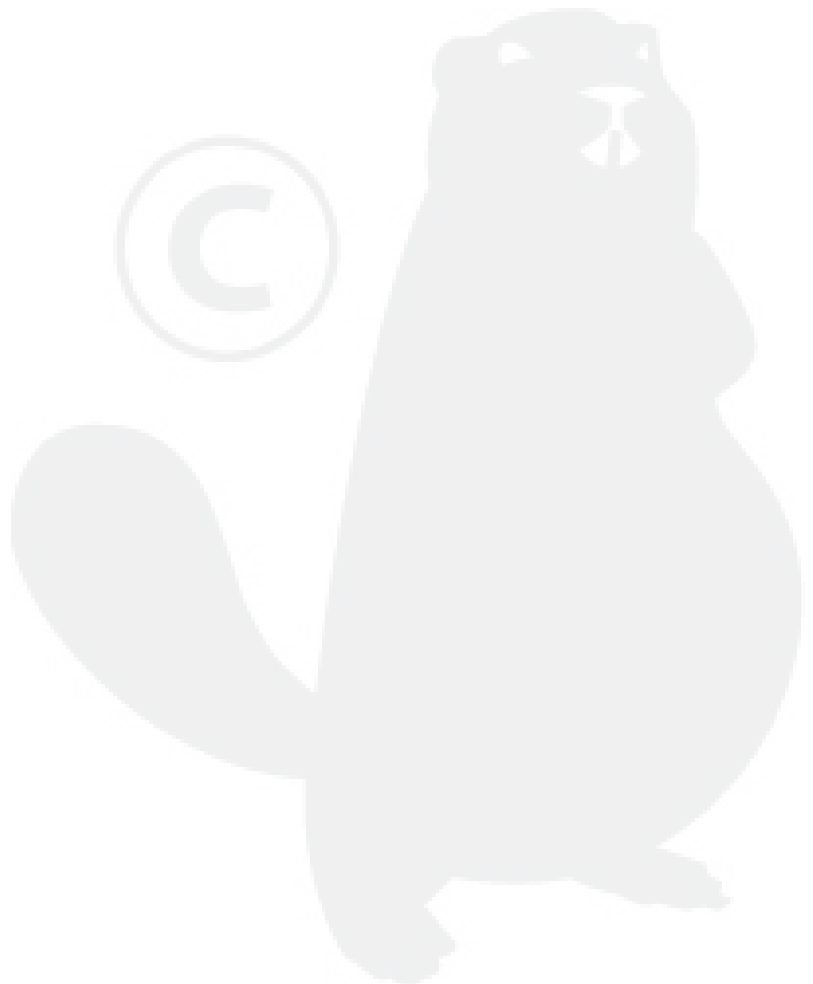
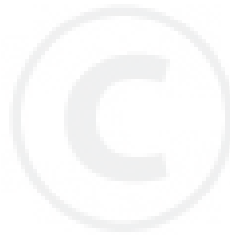
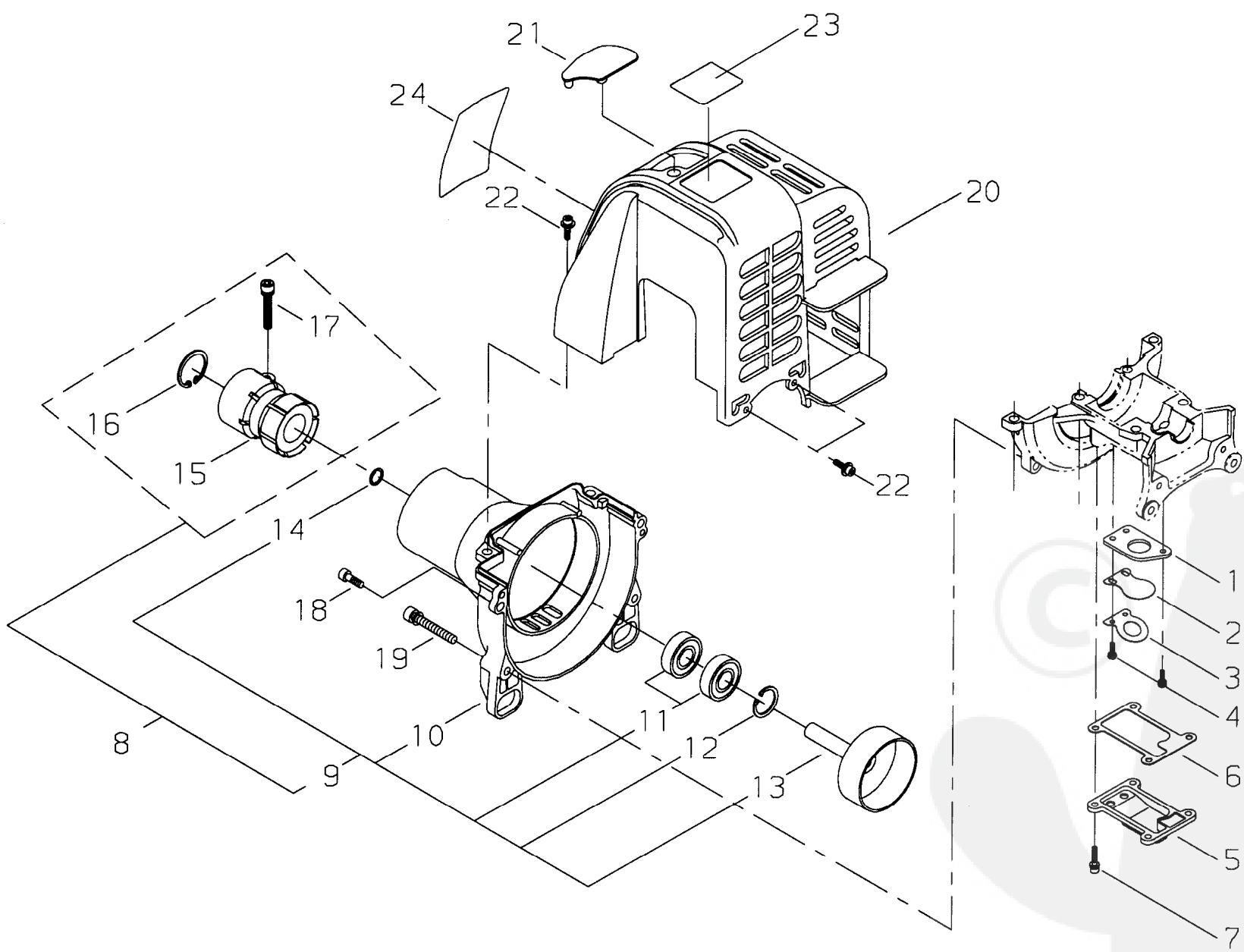


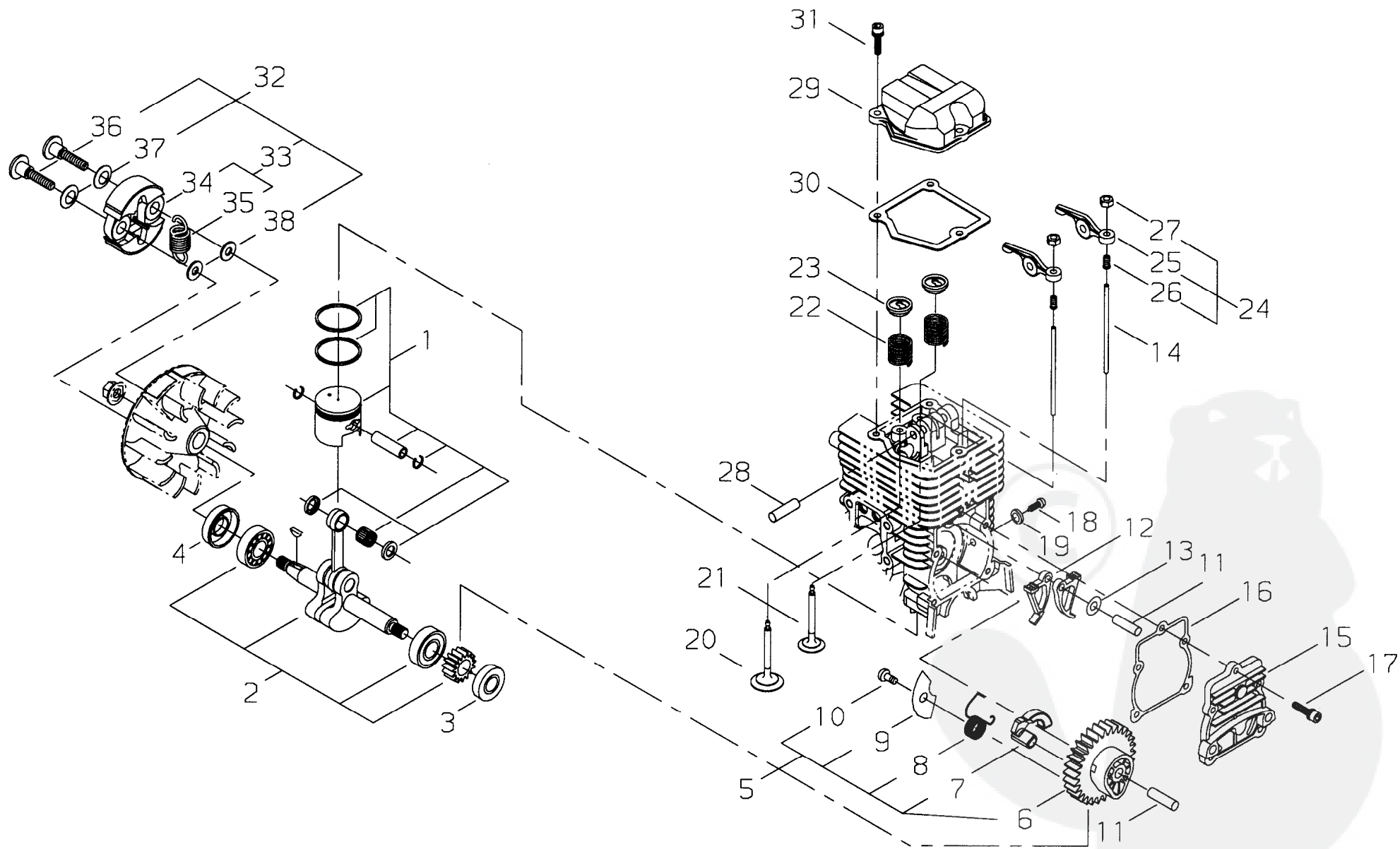
Ref. No	Part No.	Part Name	Q`ty	Remarks,Serial No.
1- 1	60908-98330	CYLINDERBLOCKSET	1	
2	01020-05160	*BOLT	6	
3	12492-40080	ROLLER	2	
4	62902-12310	REEDVALVE	1	
5	14350-01101	LEADWIRE	1	
6	62902-12320	DEFECTORHEATCOMP	1	
7	62901-12320	*DEFECTORHEAT	1	
8	62901-12220	*GASKET	2	
9	11206-05225	SCREWPMSPW	4	
10	62907-15011	MUFFLERASSY	1	
11	62907-15111	*MUFFLER	1	
12	62902-15131	*SCREEN	1	
13	62907-15161	*TAILPLATE	1	
14	11204-04060	*SCREWPM	2	
15	62901-15210	GASKETMUFFLER	1	
16	62901-15310	BOLT	2	
17	01020-05160	BOLT	1	
18	01610-05080	WASHER	3	
19	62901-83310	BRACKETTHROTTLE CAB	1	
20	62902-83310	CABLEADJUSTER	1	
21	01501-06048	NUT	1	



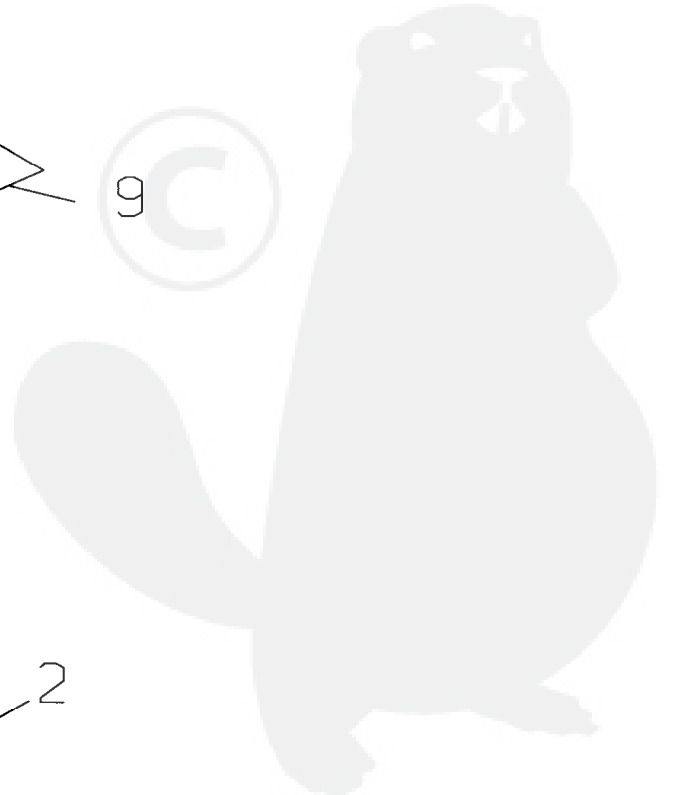
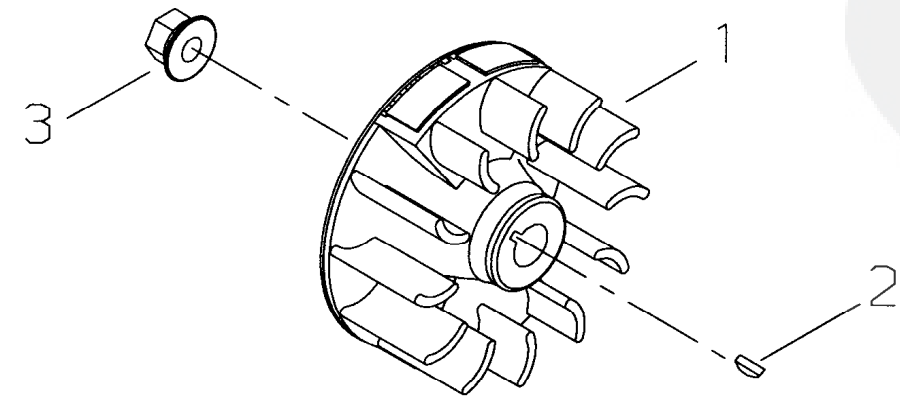
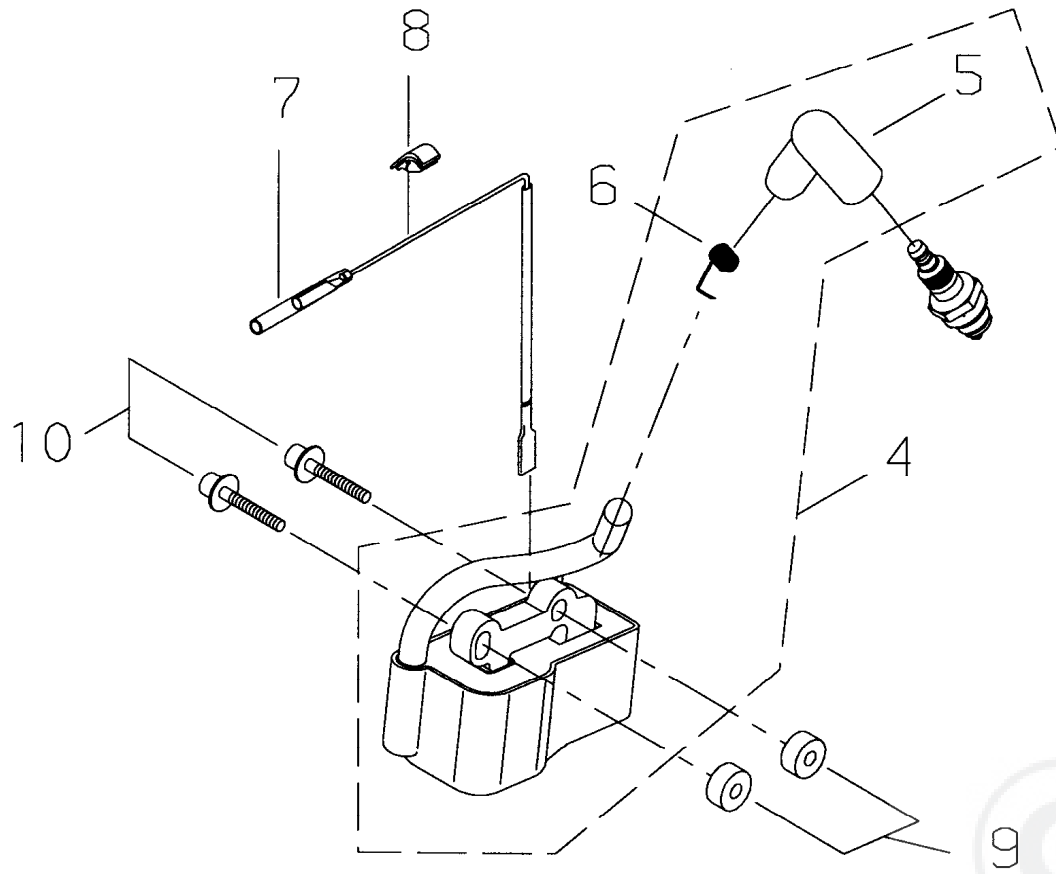


2- 1	62901-21320	INSULATOR	1	
2	72320-83121	VALVE	1	
3	72320-83132	STOPPER	1	
4	01211-03100	SCREWSW	3	
5	62901-21120	COVER	1	
6	62901-21130	GASKET	1	
7	11022-04120	BOLT SW	4	
8	60902-98021	FANCOVERASSY	1	
9	62901-31011	*FANCOVERCOMP	1	
10	62901-31111	**FANCOVER	1	
11	02002-06000	**BEARING	2	
12	02432-26120	**SNAPRING	1	
13	20087-31211	**CLUTCHDRUM	1	
14	22000-13320	**SNAPRING	1	
15	20087-31411	*JOINT	1	
16	02432-40170	*SNAPRING	1	
17	11020-05220	*BOLT SW	1	
18	01020-05160	BOLT	2	
19	11022-05450	BOLT SPW	2	
20	62901-32111	CYLINDERCOVER	1	
21	62901-32312	GROMMET	1	
22	11024-04160	BOLT SLPW	4	
23	62911-91320	LABELTRADE	1	
24	19420-00071	LABELTRADE	1	



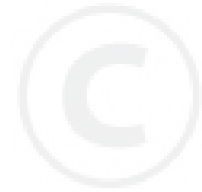
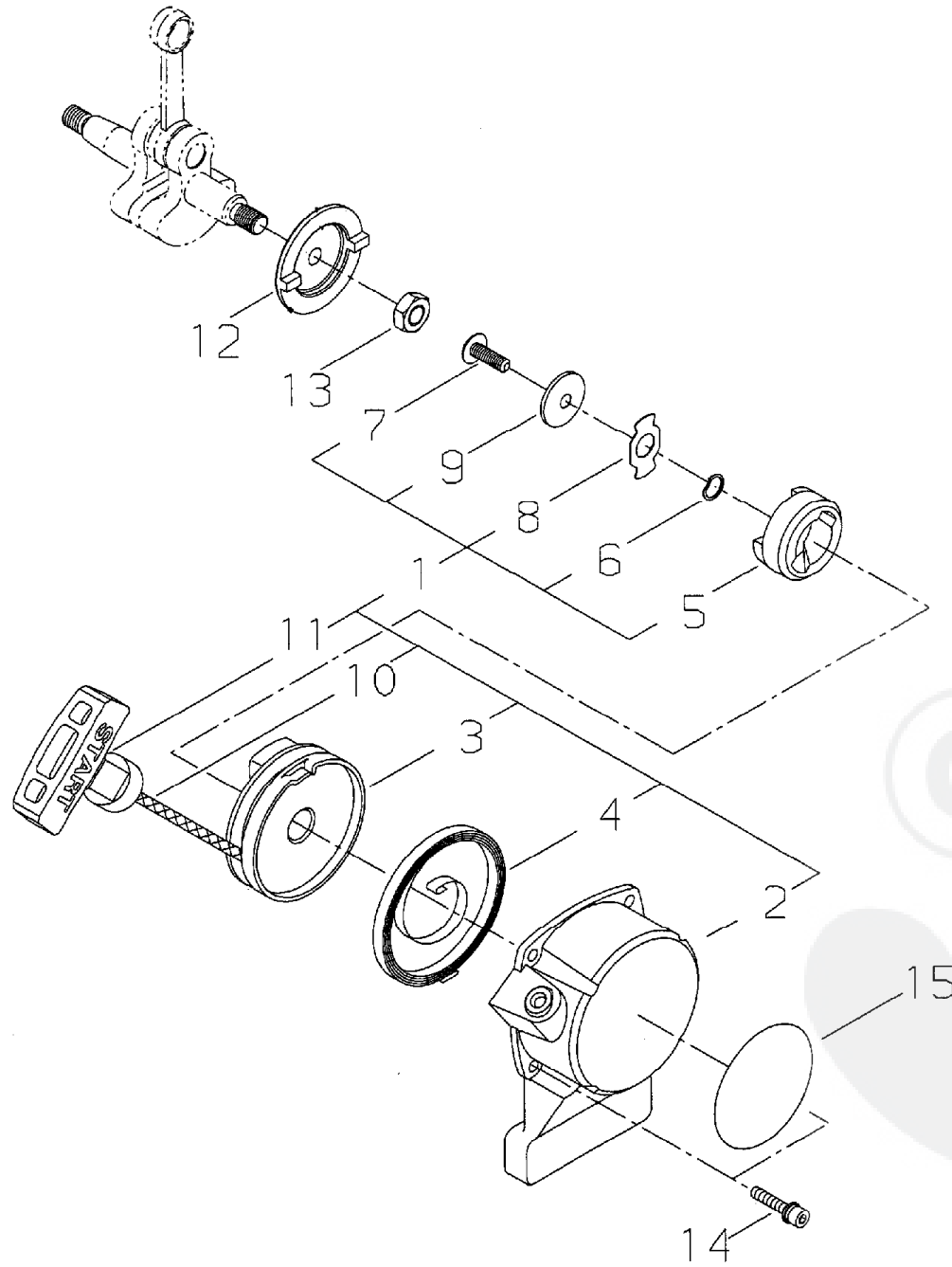


3- 1	62902-41310	PISTONSET	1
2	62902-42020	CRANKSHAFTCOMP	1
3	62901-42260	OILSEAL	1
4	62901-42270	OILSEAL	1
5	62905-43010	CAMGEARASSY	1
6	62902-43310	*CAMGEAR	1
7	62907-43120	*WEIGHT	1
8	17520-08900	*COILSPRING	1
9	62905-43130	*PLATE	1
10	01280-04062	*SCREWTAPPING	1
11	12492-50290	ROLLER	2
12	62907-43210	LIFTER	2
13	11620-10000	WASHER	1
14	62908-43220	PUSHROD	2
15	62901-43330	CAMGEARCOVER	1
16	62901-43240	GASKET	1
17	11022-04140	BOLTSPW	5
18	62901-43310	SCREW	1
19	15401-10028	COLLAR	1
20	62902-44110	INTAKEVALVE	1
21	62902-44120	EXHAUSTVALVE	1
22	62901-44130	VALVESPRING	2
23	62901-44140	RETAINER	2
24	62907-44010	ROCKERARMASSY	2
25	62901-44210	*ROCKERARM	1
26	62907-44220	*ADJUSTSCREW	1
27	62901-44231	*NUT	1
28	12492-50310	ROLLER	1
29	62901-44241	ROCKERARMCOVER	1
30	62901-44250	GASKET	1
31	11022-04120	BOLT SW	3
32	62901-51011	CLUTCHSET	1
33	62901-51021	*CLUTCHSHOEASSY	1
34	70140-51113	**CLUTCHSHOE	2
35	70140-51220	**CLUTCHSPRING	1
36	20087-51210	*BOLT	2
37	20087-51231	*SPRINGPLATE	2
38	22100-71430	*WASHER	2



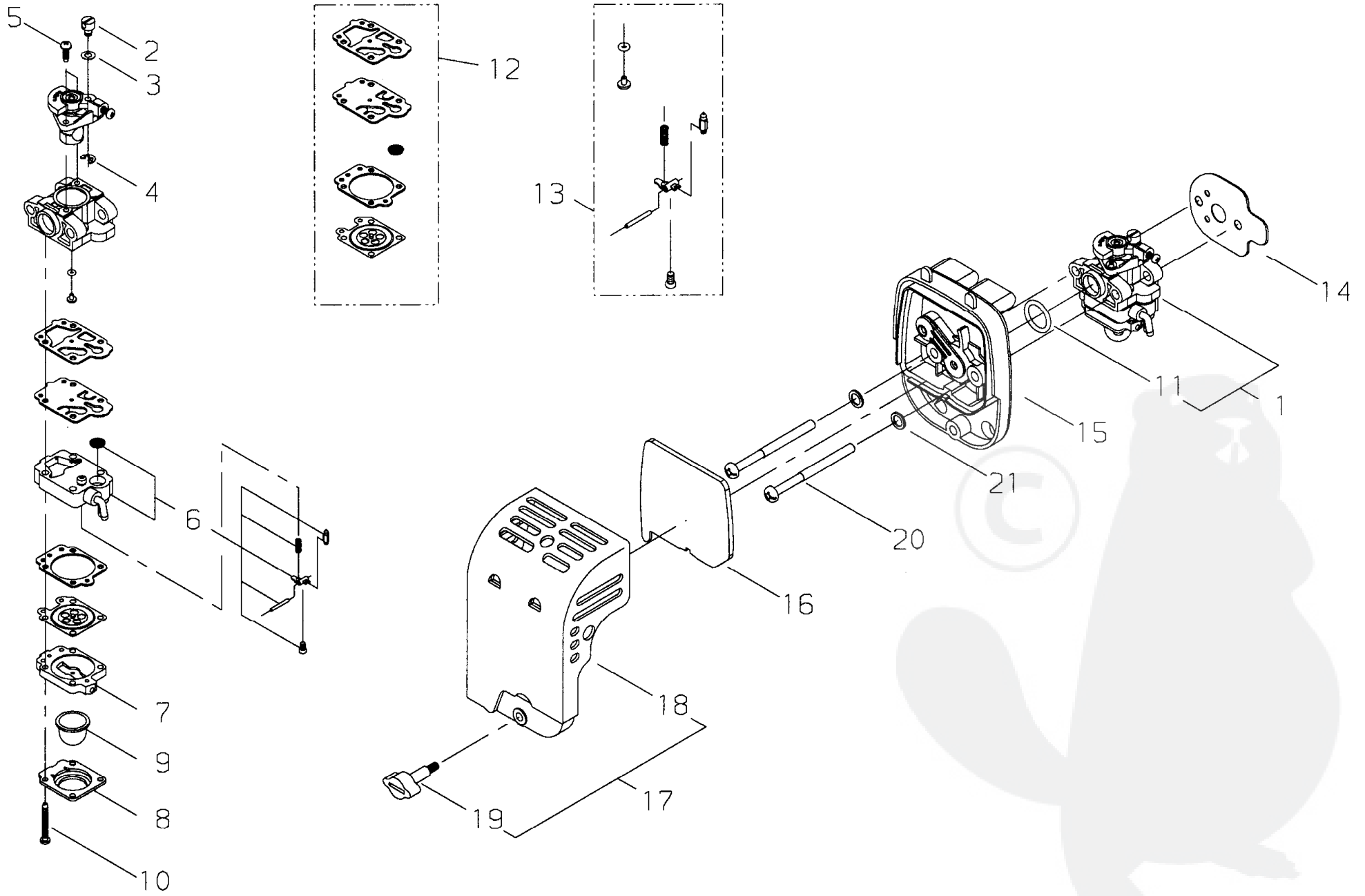
4- 1	62905-71110	ROTOR	1	
2	02403-03100	KEY	1	
3	20035-71220	NUT	1	
4	62905-71310	COILASSY	1	
5	62905-71250	*PLUGCAP	1	
6	62905-71320	*SPRINGPLUG	1	
7	14350-02001	LEADWIRE	1	
8	62901-71310	GROMMET	1	
9	70030-71620	INSULATOR	2	
10	11024-04265	BOLT SW	2	





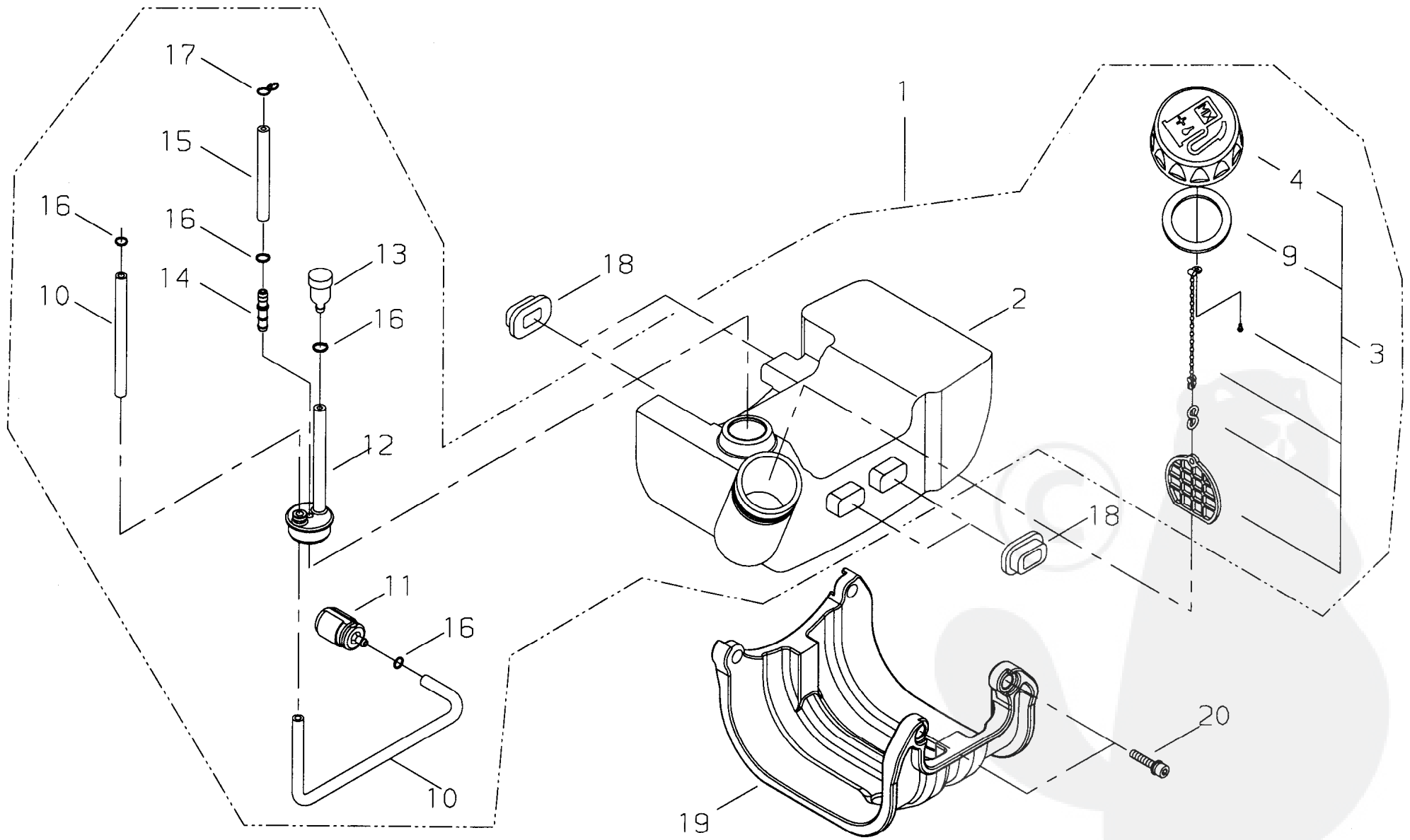
5- 1	62901-75012	RECOILSTARTERASSY	1	
2	62901-75111	*STARTERCASE	1	
3	62901-75120	*REEL	1	
4	70064-75130	*RECOILSPRING	1	
5	62901-75310	*DOG	1	
6	70064-75150	*WAVEWASHER	1	
7	72933-75160	*SCREW	1	
8	72933-75170	*RETAINER	1	
9	72933-75180	*WASHER	1	
10	32004-75140	*ROPE	1	
11	32004-75150	*KNOB	1	
12	70064-75310	STARTERPULLEY	1	
13	01511-08051	NUT	1	
14	11024-04160	BOLTSLPW	2	
15	19420-00070	LABELTRADE	1	





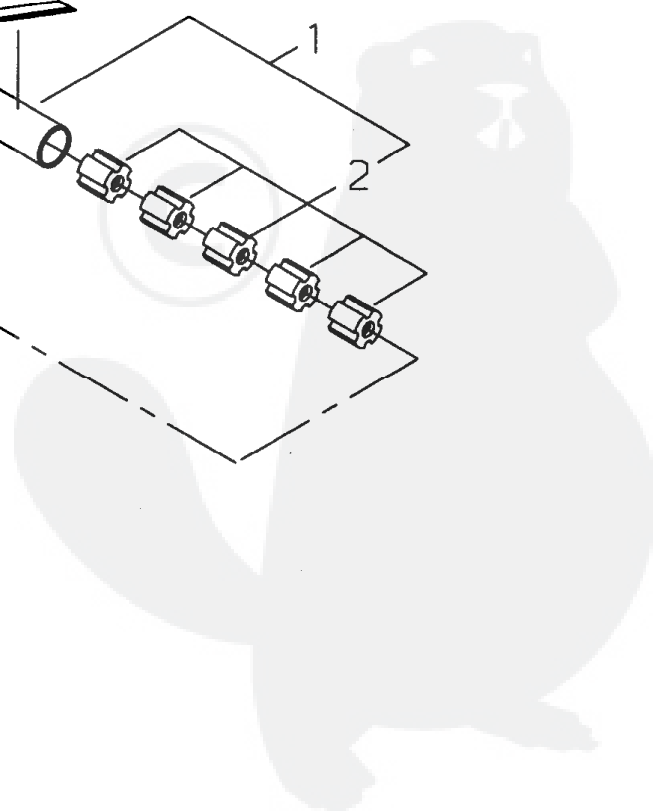
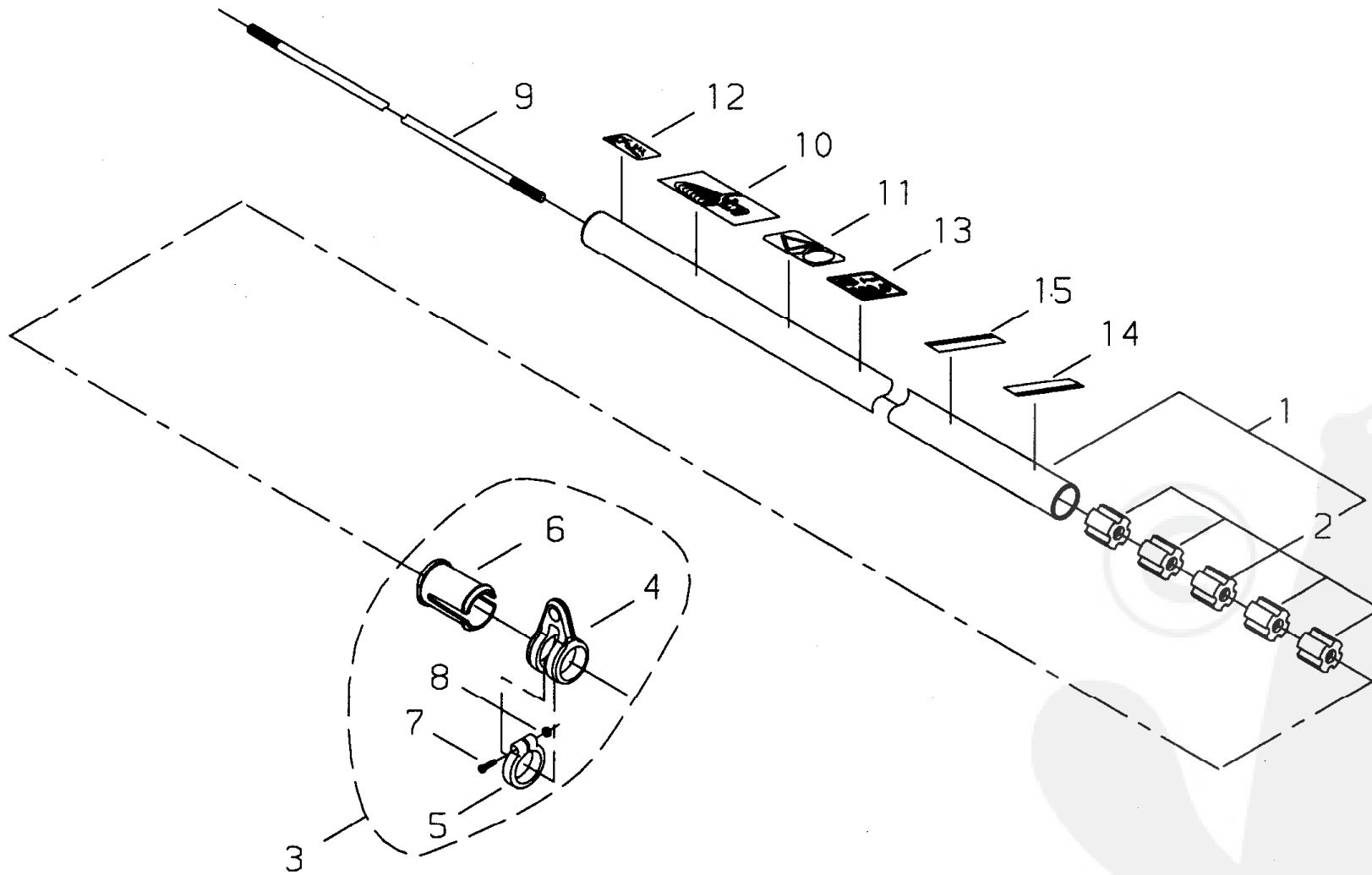
6- 1	62908-81011	CARBURETORASSY	1	
2	72933-81450	*SWIVEL	1	
3	20089-81185	*WASHER	1	
4	20036-81195	*ERING	1	
5	70064-81290	*SCREW	2	
6	37013-81350	*PUMPBODYASSY	1	
7	20016-81420	*PUMPBASECOMP	1	
8	20016-81510	*PUMPCOVER	1	
9	20036-81670	*PRIMERPUMP	1	
10	20016-81140	*SCREW	4	
11	20016-81250	*ORING	1	
12	60902-98030	*GASKETSET	1	
13	60908-98360	*VALVESET	1	
14	62901-81211	GASKET	1	
15	62905-82010	AIRFILTERBASEASSY	1	
16	62902-82120	FILTER	1	
17	62902-82030	CLEANERCOVERASSY	1	
18	62901-82131	*CLEANERCOVER	1	
19	62901-82330	*KNOBAIRFILTERCOVER	1	
20	11203-05605	SCREWPSW	2	
21	01613-05080	WASHER	2	





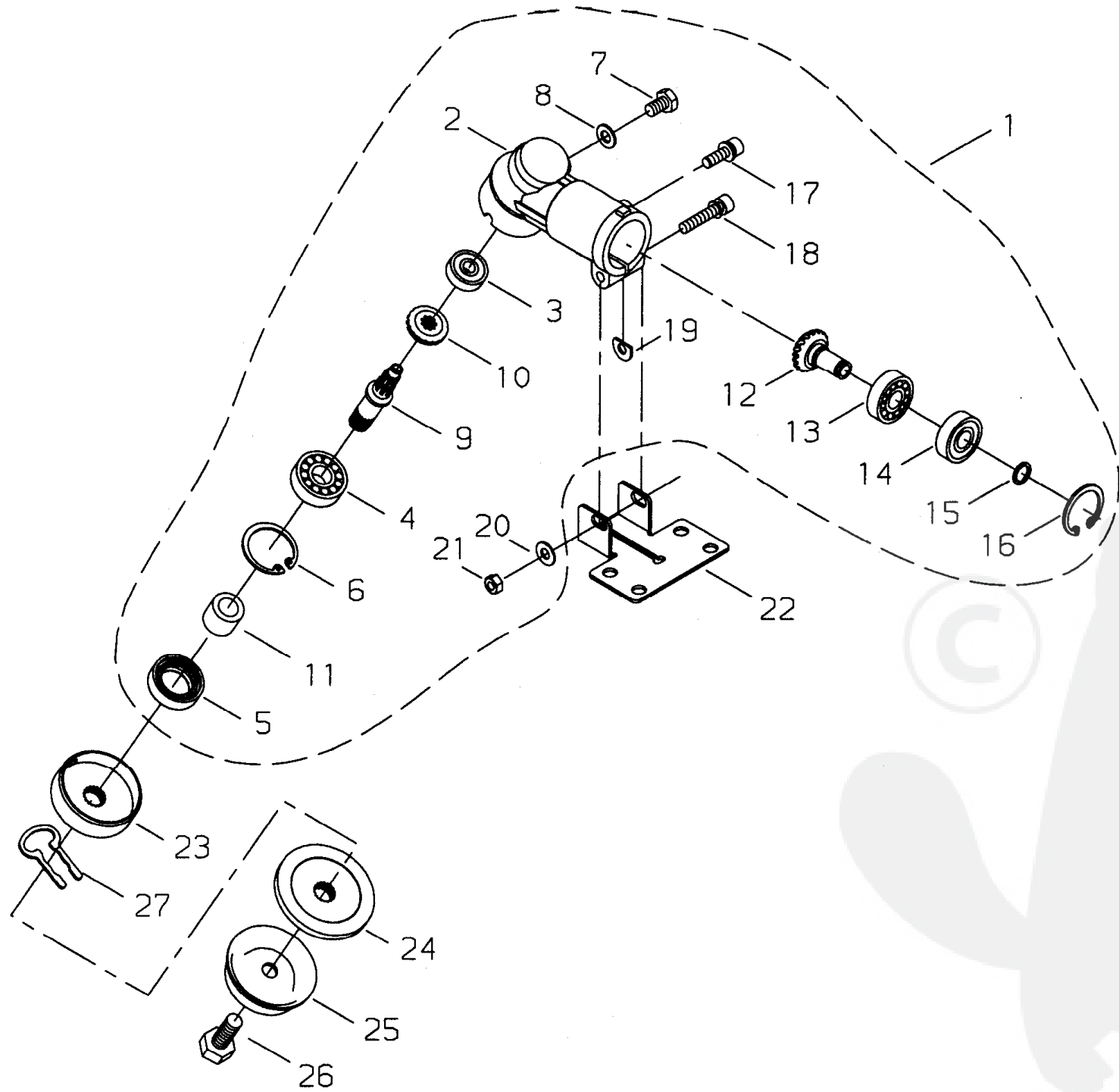
7- 1	62903-85310	FUELTANKASSY	1	
2	62901-85110	*FUELTANK	1	
3	70168-85201	*FUELCAPASSY	1	
4	70168-85210	**FUELCAP	1	
9	20000-85221	**GASKET	1	
10	62901-85310	*FUELPIPE	1	
11	20016-85400	*FUELFILTER	1	
12	20144-85350	*GROMMET	1	
13	22197-33960	*VALVE	1	
14	72933-85620	*JOINT	1	
15	20112-85360	*PIPE	1	
16	20020-85540	*CLIP	4	
17	37013-85310	*CLIP	1	
18	62901-85220	TANKCUSHION	4	
19	62902-85320	TANKGUARD	1	
20	11022-05200	BOLTSPW	2	



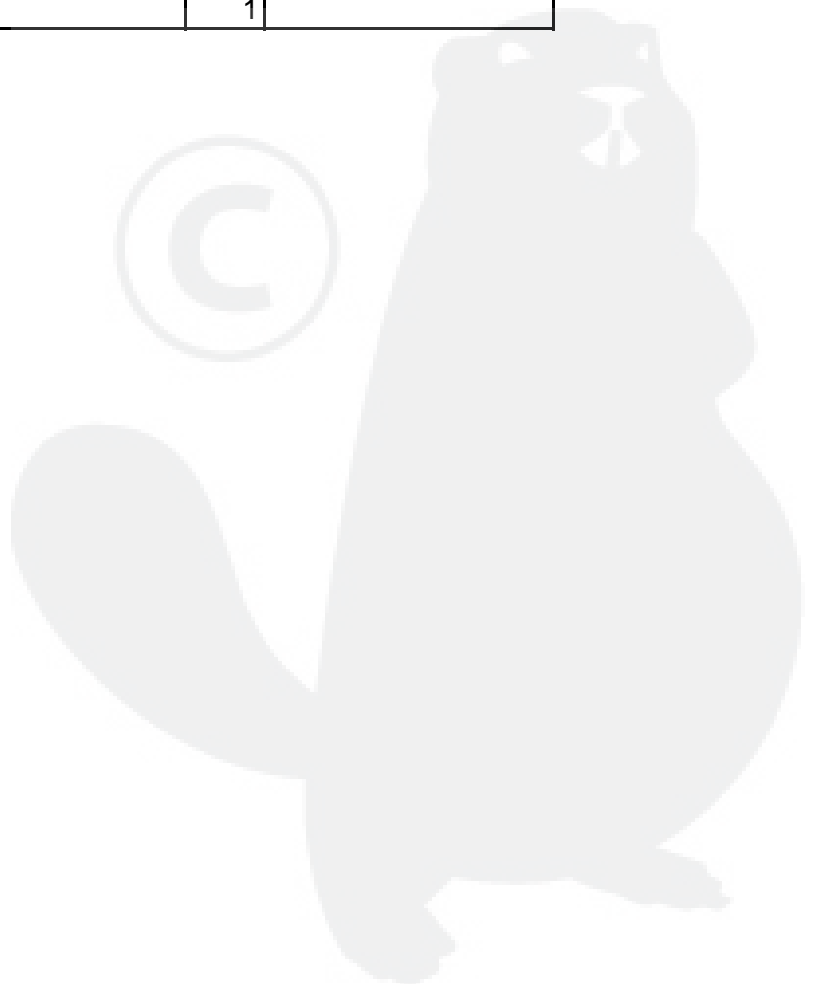


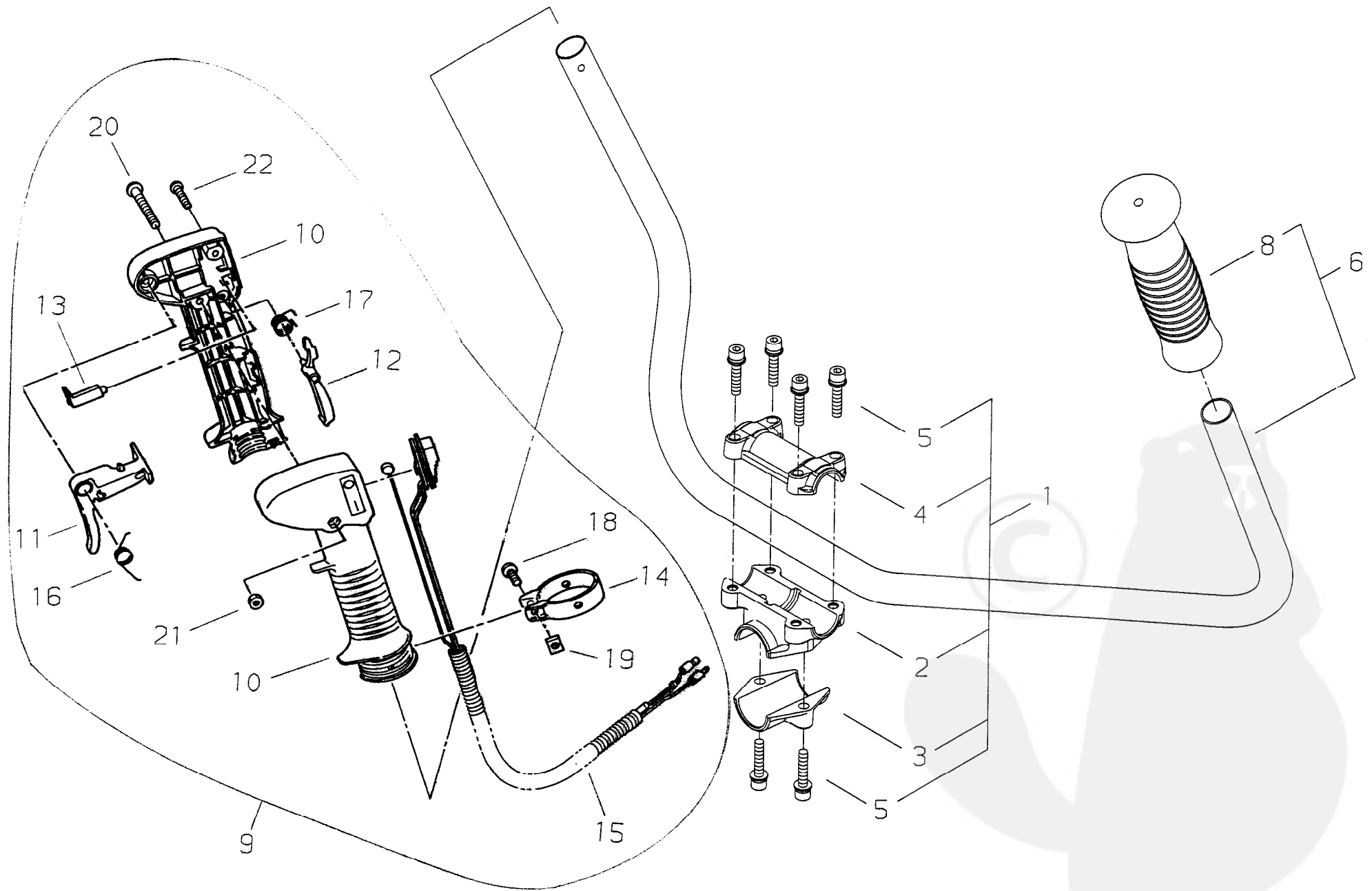
8- 1	63901-62010	OUTERPIPECOMP	1	
2	22035-12120	*BUSH	5	
3	33008-62340	HANGERASSY	1	
4	33008-62151	*HANGER	1	
5	33008-62311	*CLAMP	1	
6	33008-62321	*COLLAR	1	
7	11203-04160	*SCREWPM	1	
8	01500-04031	*NUT	1	
9	22070-12410	MAINSHAFT	1	
10	19420-00084	LABELTRADE	1	
11	19402-00090	LABELCAUTION	1	
12	19402-00223	LABELCAUTION	1	
13	19404-00036	LABELDECIBEL	1	
14	72005-12140	CAUTIONPLATE	1	
15	72017-12150	HANDLELABEL	1	





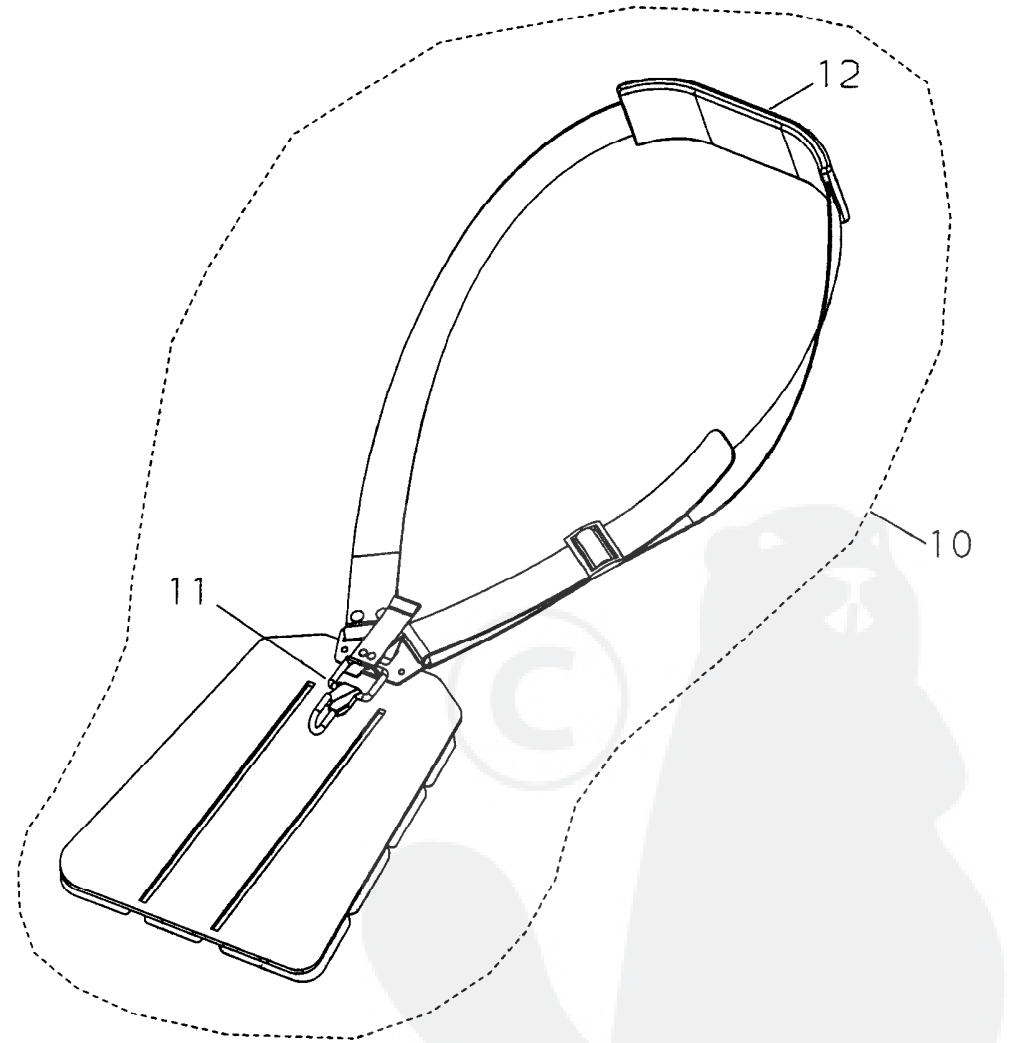
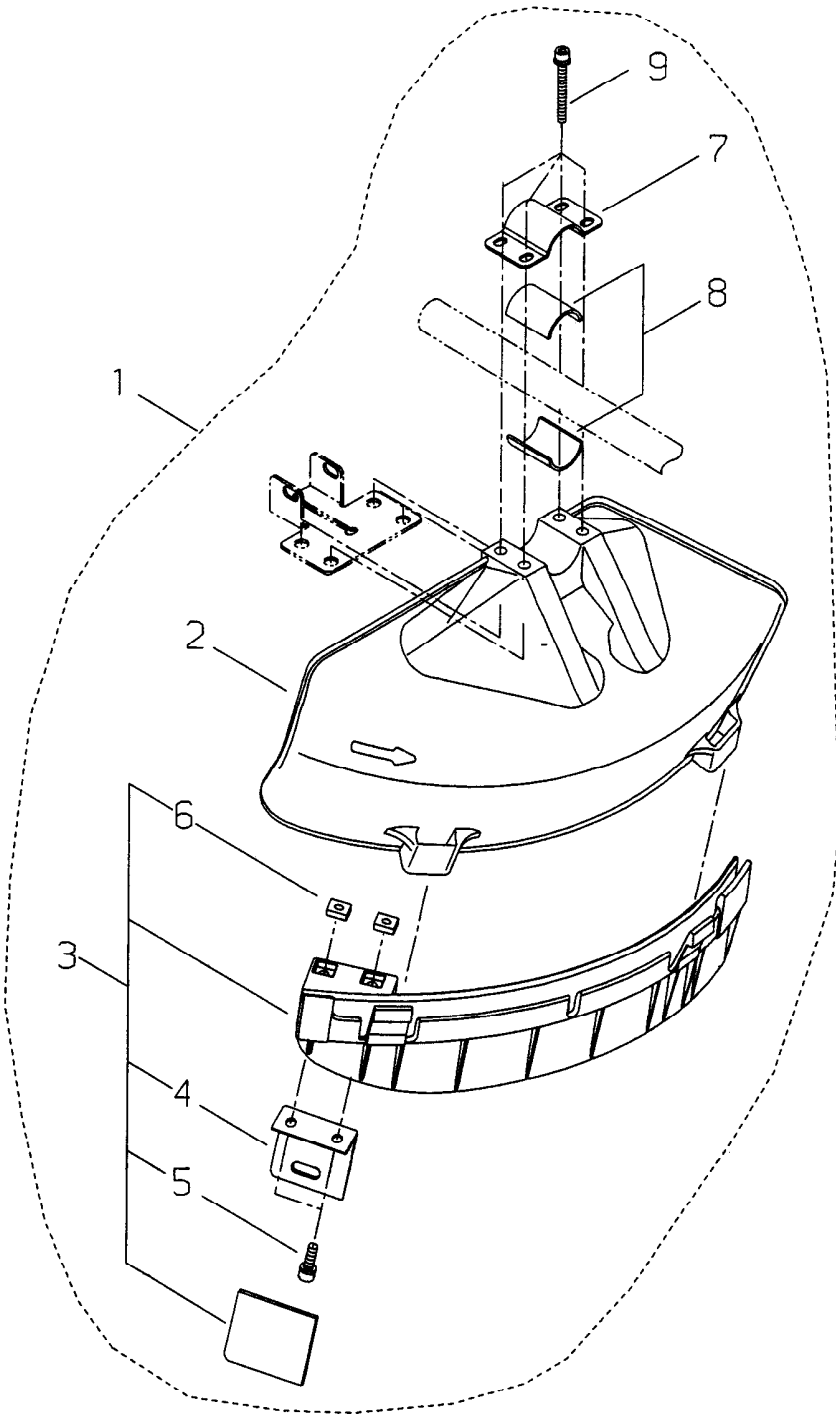
9- 1	63901-63022	GEARCASESUBASSY	1	
2	22035-13113	*GEARCASE	1	
3	02006-00626	*BEARING	1	
4	02000-06000	*BEARING	1	
5	22035-13140	*OILSEAL	1	
6	02432-26120	*SNAPRING	1	
7	01014-06100	*BOLT	1	
8	22000-13410	*GASKET	1	
9	22410-13210	*GEARSHAFT	1	
10	22035-13220	*BEVELGEAR	1	
11	22035-13230	*COLLAR	1	
12	22035-13391	*PINIONSET	1	
13	02000-00608	*BEARING	1	
14	02002-00608	*BEARING	1	
15	22035-13340	*SNAPRING	1	
16	02432-22100	*SNAPRING	1	
17	11022-05160	*BOLTSPW	1	
18	11022-05350	*BOLTSPW	1	
19	22000-13420	*SHIM	1	
20	01613-05080	*WASHER	1	
21	01500-05041	*NUT	1	
22	72480-16130	LOWERCLAMP	1	
23	22035-13242	HOLDERA	1	
24	65011-63171	HOLDER	1	
25	37013-63311	BOLTGUARD	1	
26	22035-13271	BOLT	1	
27	22410-13530	SLIDECLIP	1	





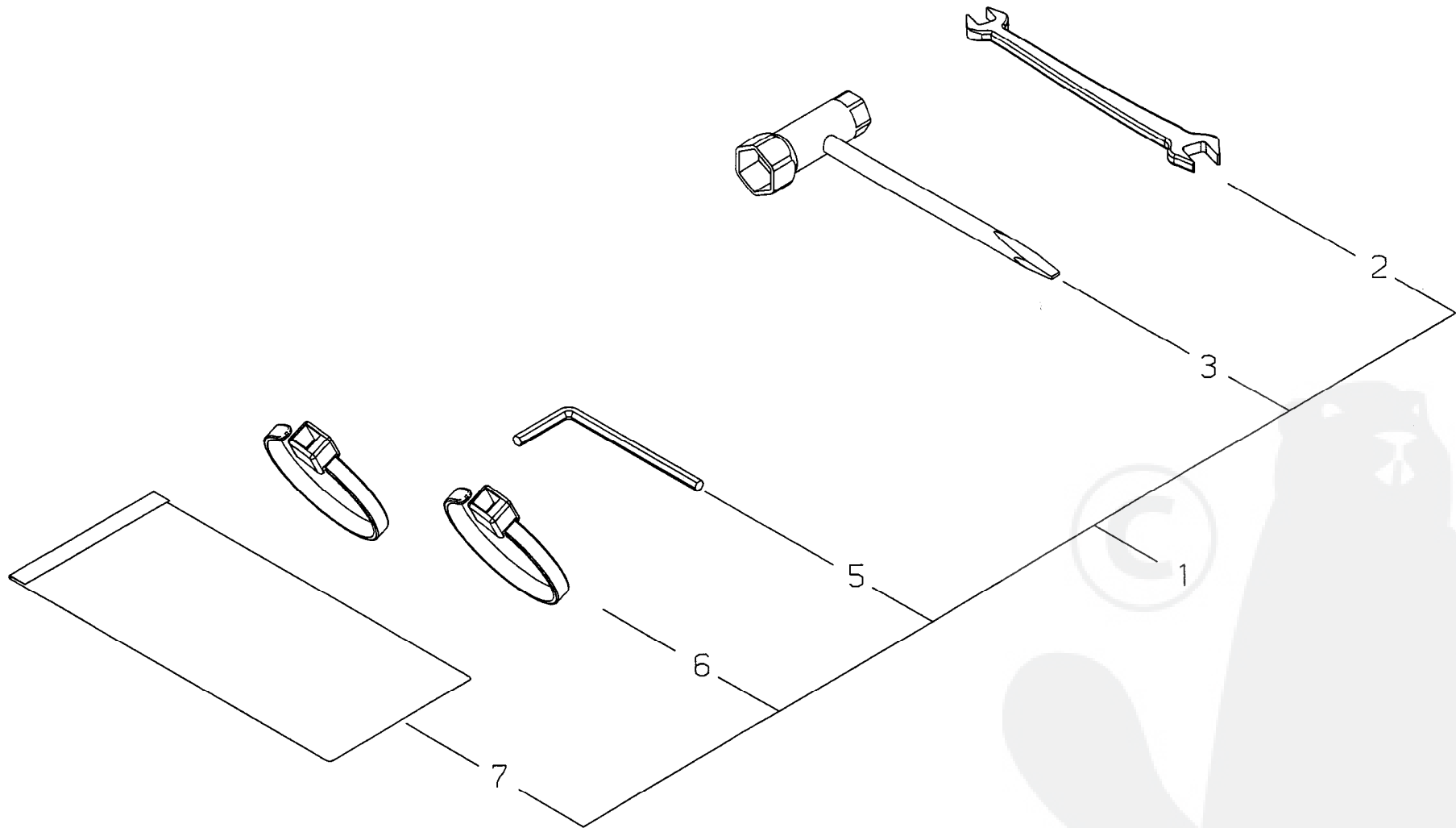
10- 1	34004-64020	BRACKETASSY	1	
2	34004-64110	*BRACKET	1	
3	34004-64120	*LOWERCAP	1	
4	34004-64130	*UPPERCAP	1	
5	11022-05250	*BOLTSPW	6	
6	72529-14200	HANDLESUBASSY	1	
8	22421-14230	*GRIP	1	
9	64012-64250	THROTTLELEVER	1	
10	72431-14600	*BODYSUBASSY	1	
11	72451-14530	*LEVER	1	
12	72451-14540	*LOCKLEVER	1	
13	72451-14550	*BUTTON	1	
14	72451-14560	*CLAMP	1	
15	64012-64310	*THROTTLECABLECOMP	1	
16	72451-14580	*RETURNSPRING	1	
17	72451-14590	*SPRING	1	
18	01020-06200	*BOLT	1	
19	72451-14610	*NUT	1	
20	11203-05350	*SCREWPM	1	
21	72451-14630	*NUT	1	
22	72451-14620	*SCREWTAPPING	1	





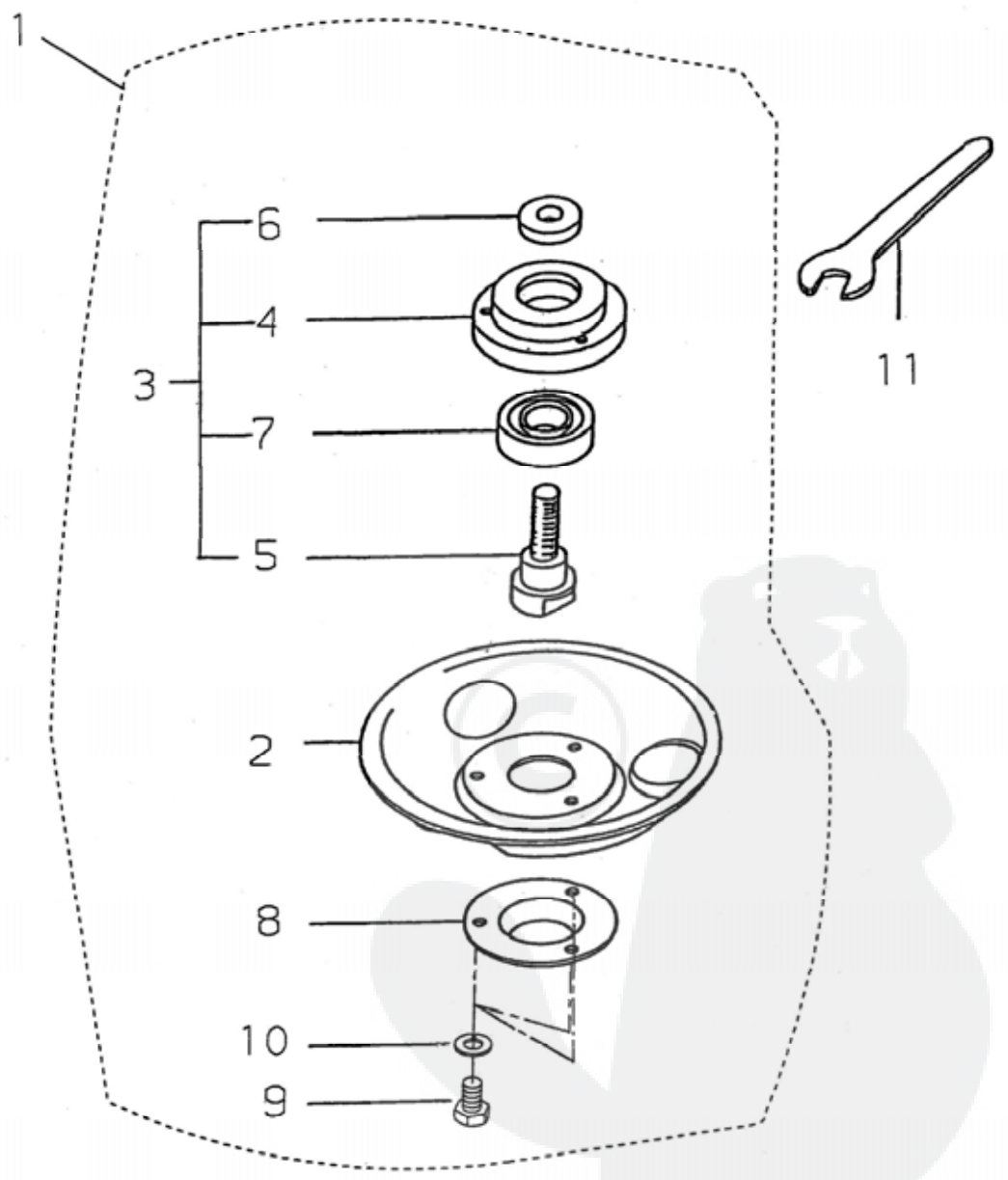
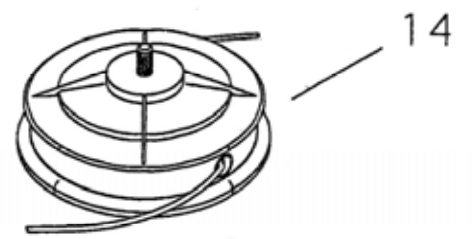
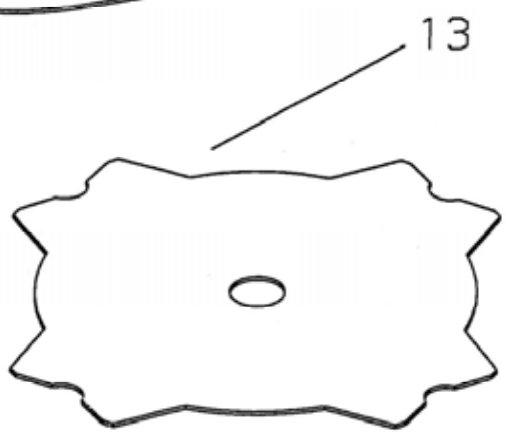
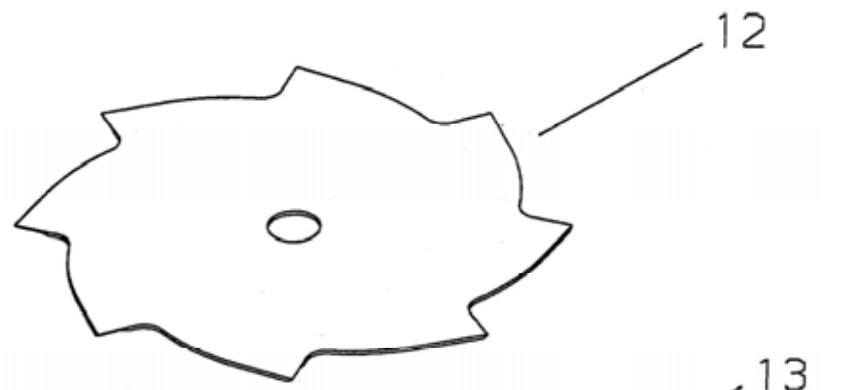
11- 1	62903-66321	GUARDSET	1	
2	62903-66110	*GUARD	1	
3	62903-66331	*SUBGUARDASSY	1	
4	72480-16121	**CUTTER	1	
5	11020-05160	**BOLTSW	2	
6	22420-16120	**NUT	2	
7	72480-16210	*UPPERCLAMP	1	
8	72480-16220	*SPACER	2	
9	11022-05450	*BOLTSPW	4	
10	72474-17201	STRAPASSY	1	
11	22421-17130	*HOOK	1	
12	22007-17220	*PROTECTOR	1	





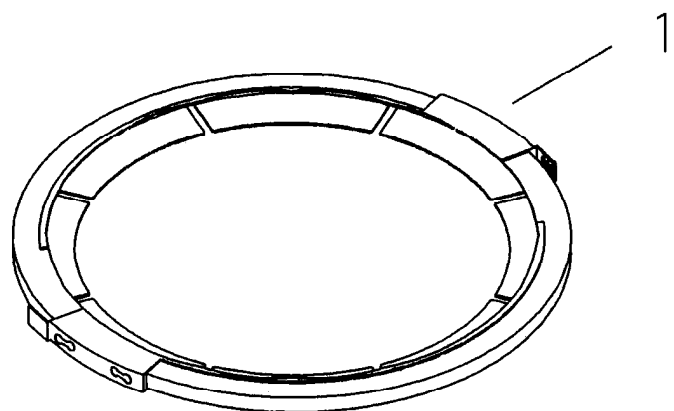
12- 1	62906-92310	TOOLSET	1	
2	22000-91120	*SPANNER	1	
3	22580-91180	*PLUGWRENCH	1	
5	09026-04001	*HEXAWRENCH5MM	1	
6	72431-12190	*BAND	2	
7	19639-01400	*TOOLBAG	1	





13- 1	22036-15300	STABILIZERASSY	1	
2	22013-15310	*STABILIZER	1	
3	22036-15380	*HOLDERCOMP	1	
4	22013-15320	**HOLDER	1	
5	22036-15331	**BEARINGSHAFT	1	
6	22013-15340	**WASHER	1	
7	02002-06001	**BEARING	1	
8	22013-15350	*SHAFTCOVER	1	
9	01010-05105	*BOLT	3	
10	01600-05131	*SPRINGWASHER	3	
11	09011-13006	SPANNER	1	
12	60903-98310	EDDYSAW	1	
13	60903-98320	CROSSSAW	1	
14	67000-65010	TRIMMERHEADASSY	1	





14- 1	22550-92310	BLADECOVER	1	
-------	-------------	------------	---	--

