

shindaiwa

PARTS PRICE LIST

C 2 7

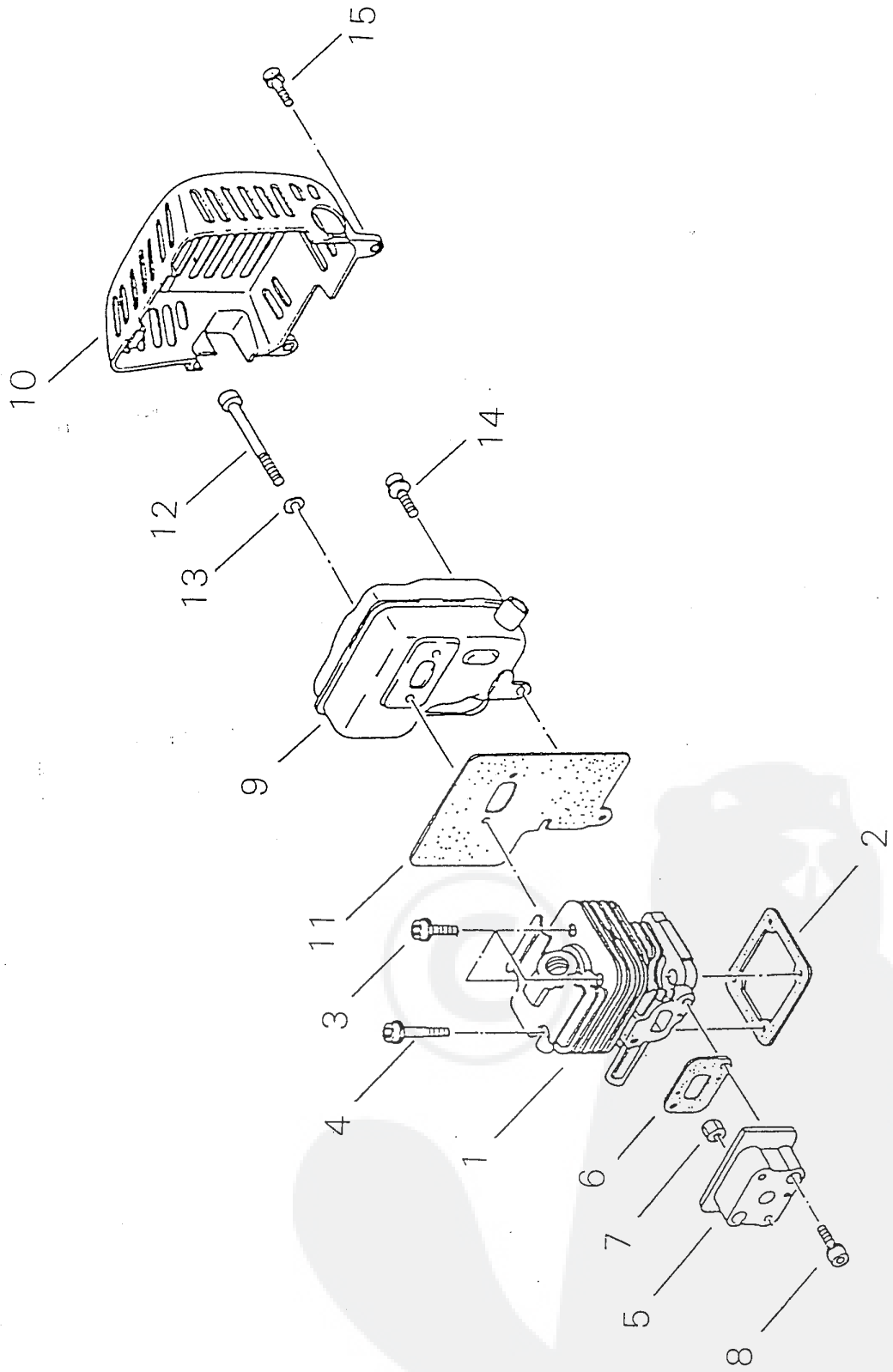
SHIN-DAIWA KOGYO CO., LTD.

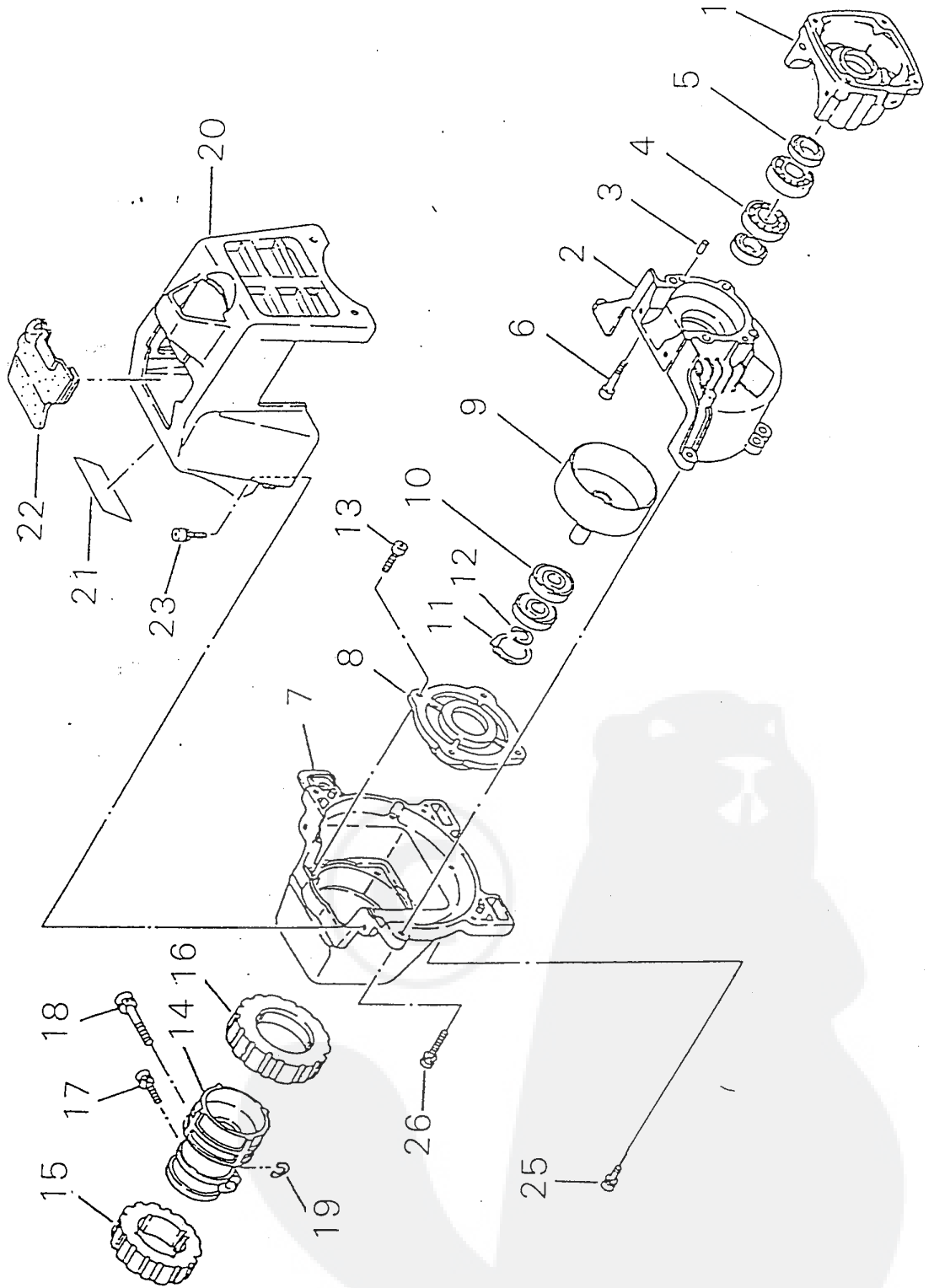
35, Ooaza Shin-Ujigami, Chiyoda-cho Yamagata-gun, Hiroshima, 731-15 Japan

Telephone (082672) 6019 SDKHIR Fax (082672) 7005

C27/CE

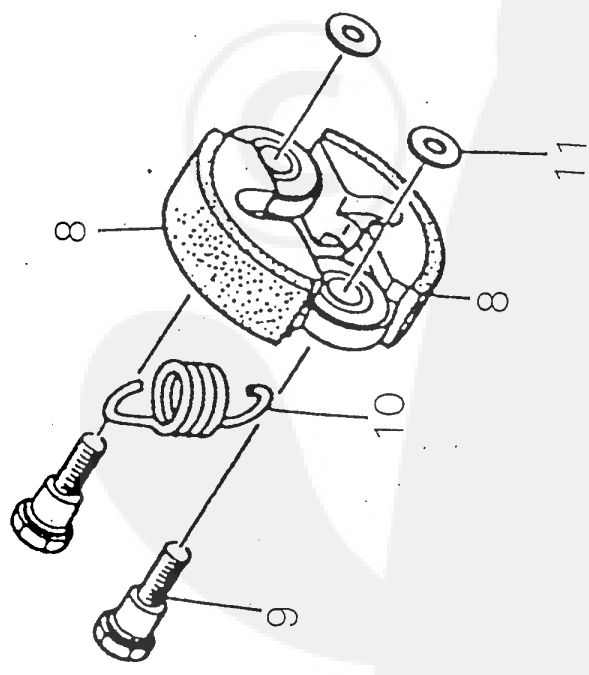
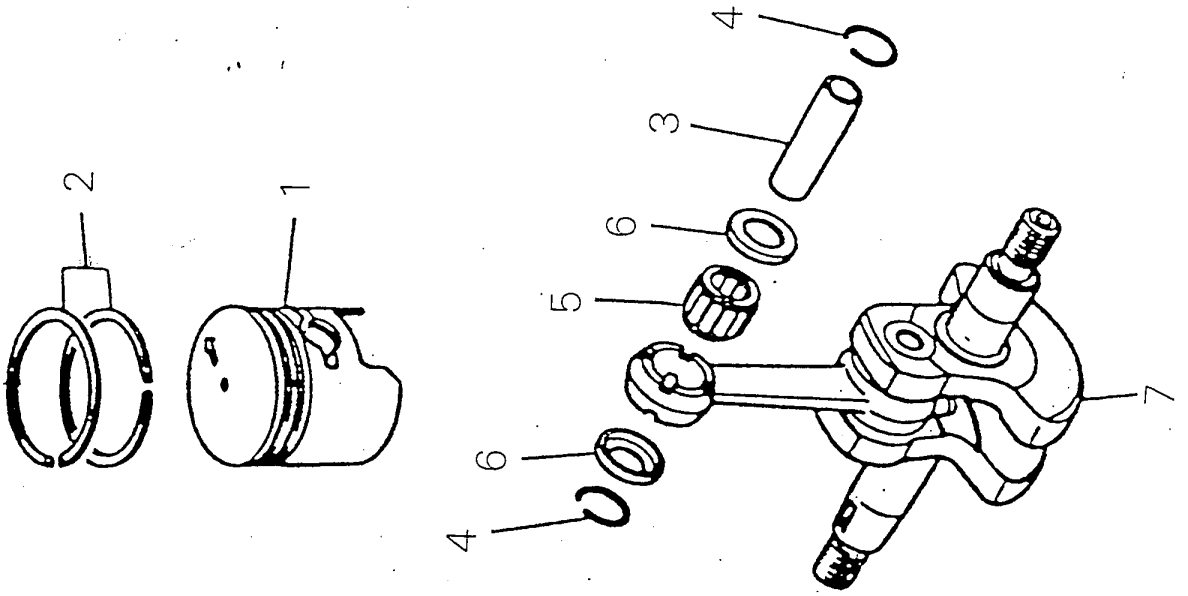
DEC. 22. 1995





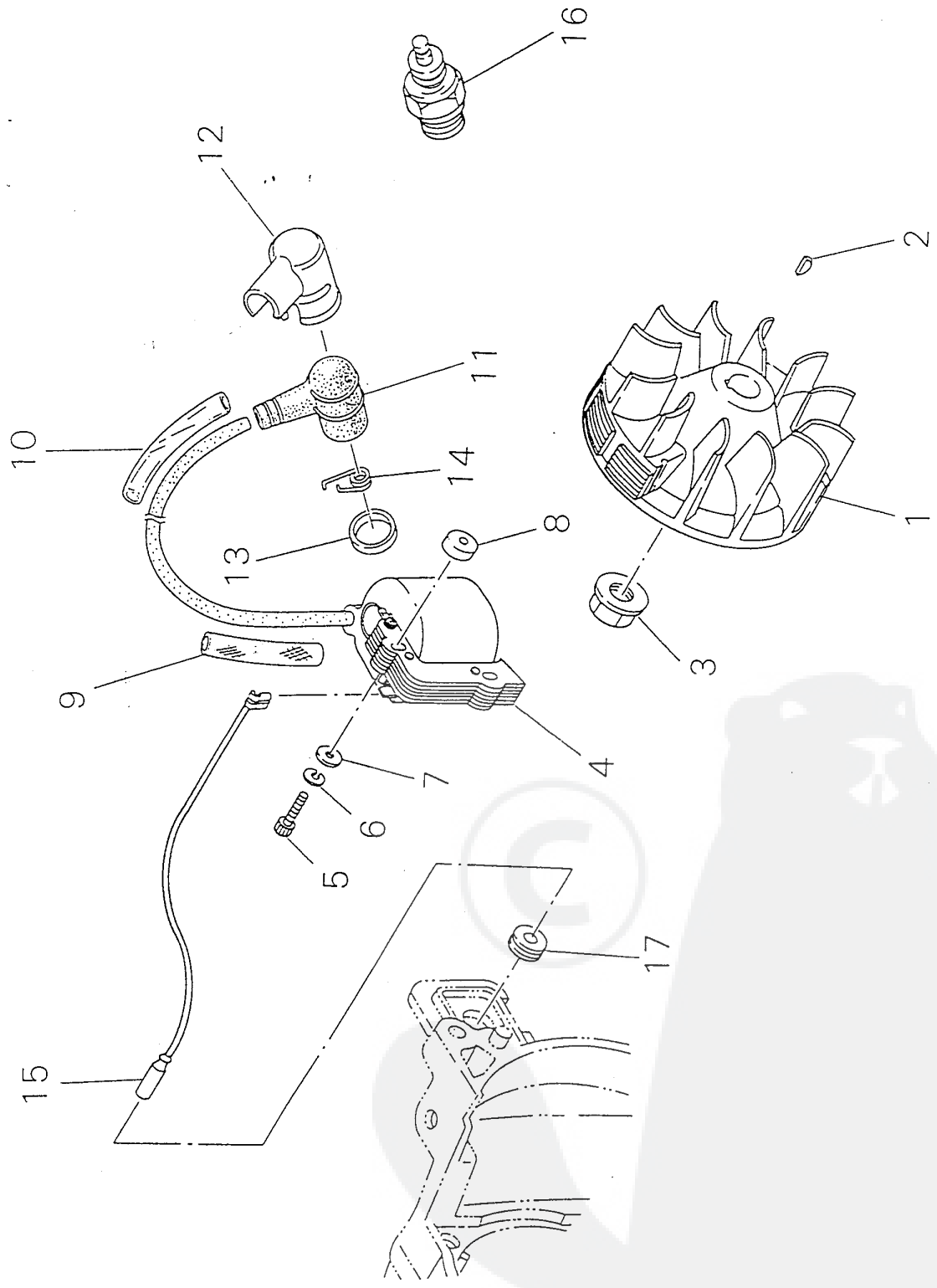
PRICE:(¥)

Ref. No	Part No.	Part Name	Qty	Unit Price	Remarks
2-	20024-21000	CRANK CASE ASSY	1	8,550	
1	20024-21110	CRANK CASE S	1	3,400	
2	20024-21120	CRANK CASE M	1	3,550	
3	20000-21140	DAWEL PIN	2	50	
4	02030-06201	BEARING	2	280	
5	20000-21211	OIL SEAL	2	270	
6	01020-05250	BOLT	4	40	
7	70102-31110	FAN COVER	1	3,210	
8	20024-31130	CLUTCH CASE	1	770	
9	20024-31151	CLUTCH DRUM	1	3,100	
10	02036-06001	BEARING	2	530	
11	02432-28120	SNAP RING	1	40	
12	20000-31140	SNAP RING	1	40	
13	11022-05160	BOLT SPW	4	50	
14	20024-31410	JOINT	1	2,140	
15	20024-31421	FRONT CUSHION	1	270	
16	20024-31431	REAR CUSHION	1	250	
17	11022-05160	BOLT SPW	1	50	
18	11022-06280	BOLT SPW	1	80	
19	20024-31460	SHIM	1	30	
20	70102-31211	CYLINDER COVER	1	2,000	
21	70102-31250	NAME PLATE	1	100	
22	20024-31231	DUST CAP	1	270	
23	11022-05160	BOLT SPW	2	50	
25	11022-05200	BOLT SPW	2	50	
26	11020-05180	BOLT SW	2	50	



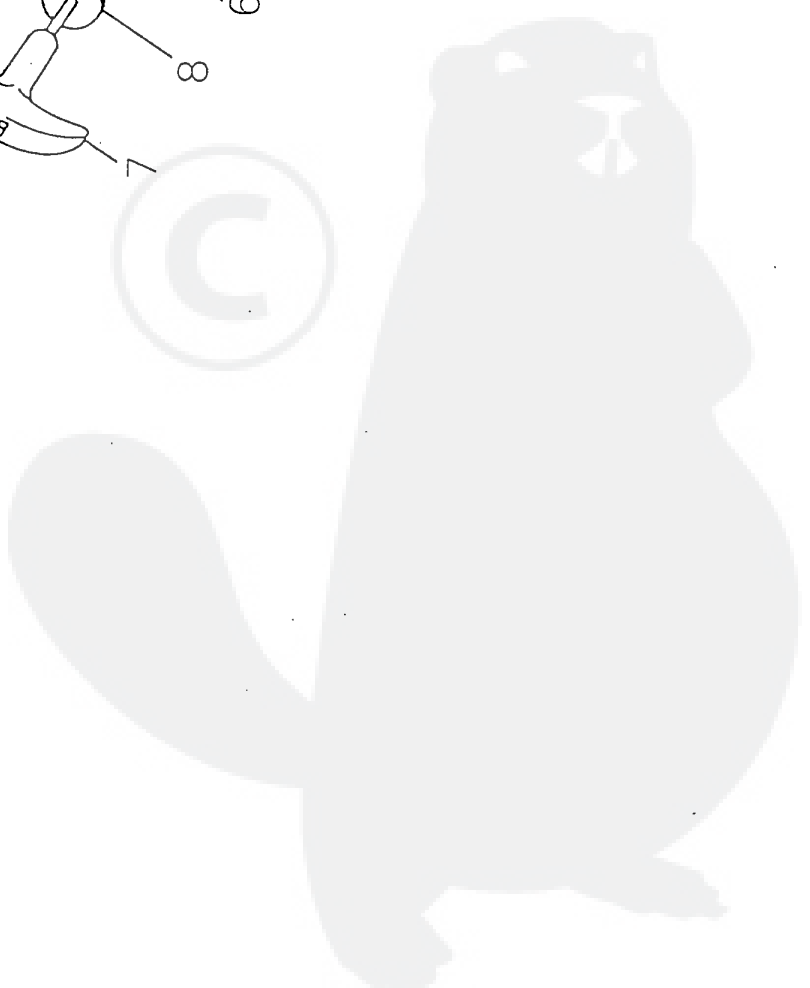
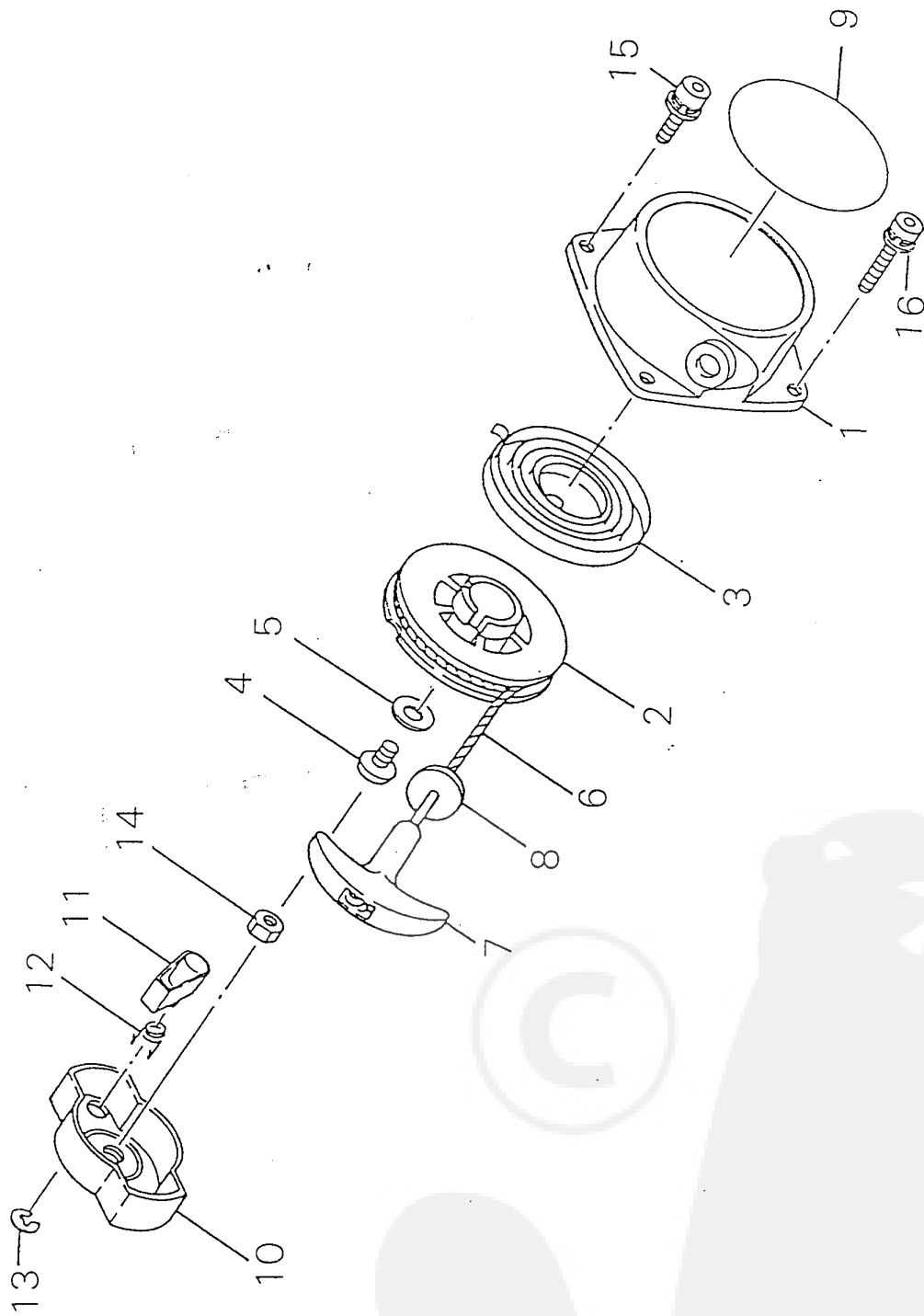
PRICE: (¥)

Ref. No	Part No.	Part Name	Qty	Unit Price	Remarks
3-	1 20024-41110	PISTON	1	2,100	
	2 20024-41210	PISTON RING	2	370	
	3 20024-41311	PISTON PIN	1	270	
	4 20000-41320	SNAP RING	2	20	
	5 20000-41330	NEEDLE BEARING	1	660	
	6 20000-41341	THRUST WASHER	2	170	
	7 20024-42001	CRANK SHAFT ASSY	1	11,000	
	20024-51102	CLUTCH ASSY	1	2,800	
	8 20024-51111	CLUTCH SHOE	2	970	
	9 20024-51210	CLUTCH BOLT	2	210	
	10 20000-51220	CLUTCH SPRING	1	150	
	11 22100-71430	WASHER	2	30	



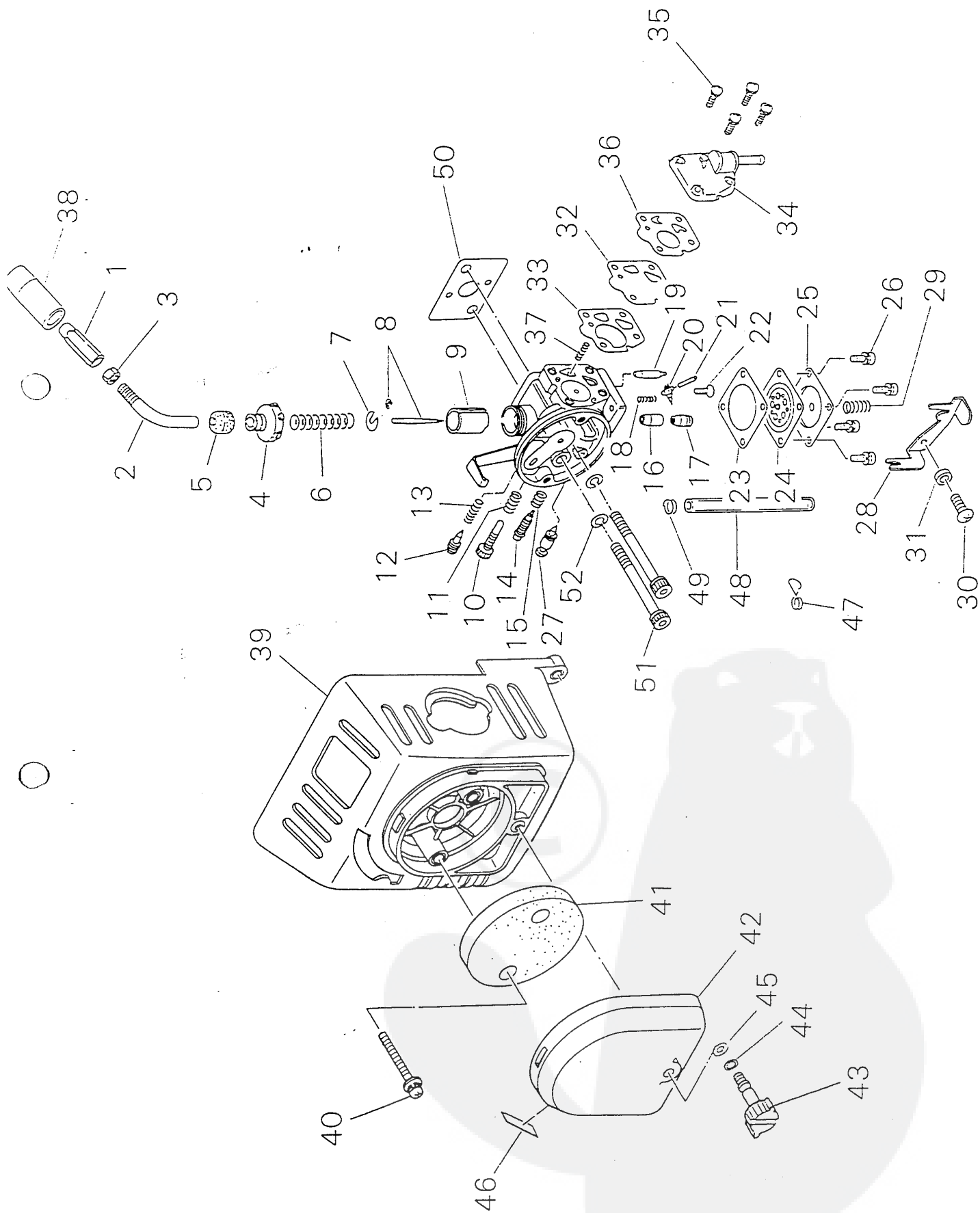
PRICE:(¥)

Ref. No	Part No.	Part Name	Q'ty	Unit Price	Remarks
4- 1	20024-71201	ROTOR	1	6,200	
2	02403-03100	KEY	1	60	
3	20035-71220	NUT	1	40	
4	20024-71610	COIL	1	10,000	
5	01020-04300	BOLT	2	30	
6	01600-04101	SPRING WASHER	2	10	
7	01613-04080	WASHER	2	10	
8	70030-71620.	INSULATOR	2	90	
9	20024-72112	TUBE	1	70	
10	70168-71660	TUBE	1	20	
11	20010-72221	PLUG CAP	1	320	
12	20000-72241	PLUG CAP COVER	1	90	
13	20000-72250	COVER BAND	1	50	
14	20000-72230	SPRING SPARK PLUG	1	110	
15	70102-74130	CORD	1	210	
16	CJ8Y	SPARK PLUG	1	450	
17	70105-31520	GROMMET	1	80	



PRICE:(¥)

Ref. No	Part No.	Part Name	Q'ty	Unit Price	Remarks
5-	70102-75101	RECOIL STARTER SUB ASSY	1	3,640	
1	70102-75110	• STARTER CASE	1	1,180	
2	20024-75120	• REEL	1	530	
3	20024-75130	• RECOIL SPRING	1	620	
4	20035-75170	• SCREW	1	40	
5	20024-75140	• WASHER	1	60	
6	20024-75160	• ROPE	1	320	
7	20024-75190.	• STARTER KNOB	1	440	
8	20024-75180	• DAMPER	1	90	
9	70005-75240	• NAME PLATE	1	150	
	20024-75200	STARTER PULLY SUB ASSY	1	1,020	
10	20024-75210	• STARTER PULLEY	1	720	
11	20024-75220	• RATCHET	1	80	
12	20024-75230	• RETURN SPRING	1	190	
13	20024-75240	• E RING	1	30	
14	20035-43230	NUT	1	30	
15	11022-05160	BOLT SPW	2	50	
16	11022-05250	BOLT SPW	2	50	



PRICE:(¥)

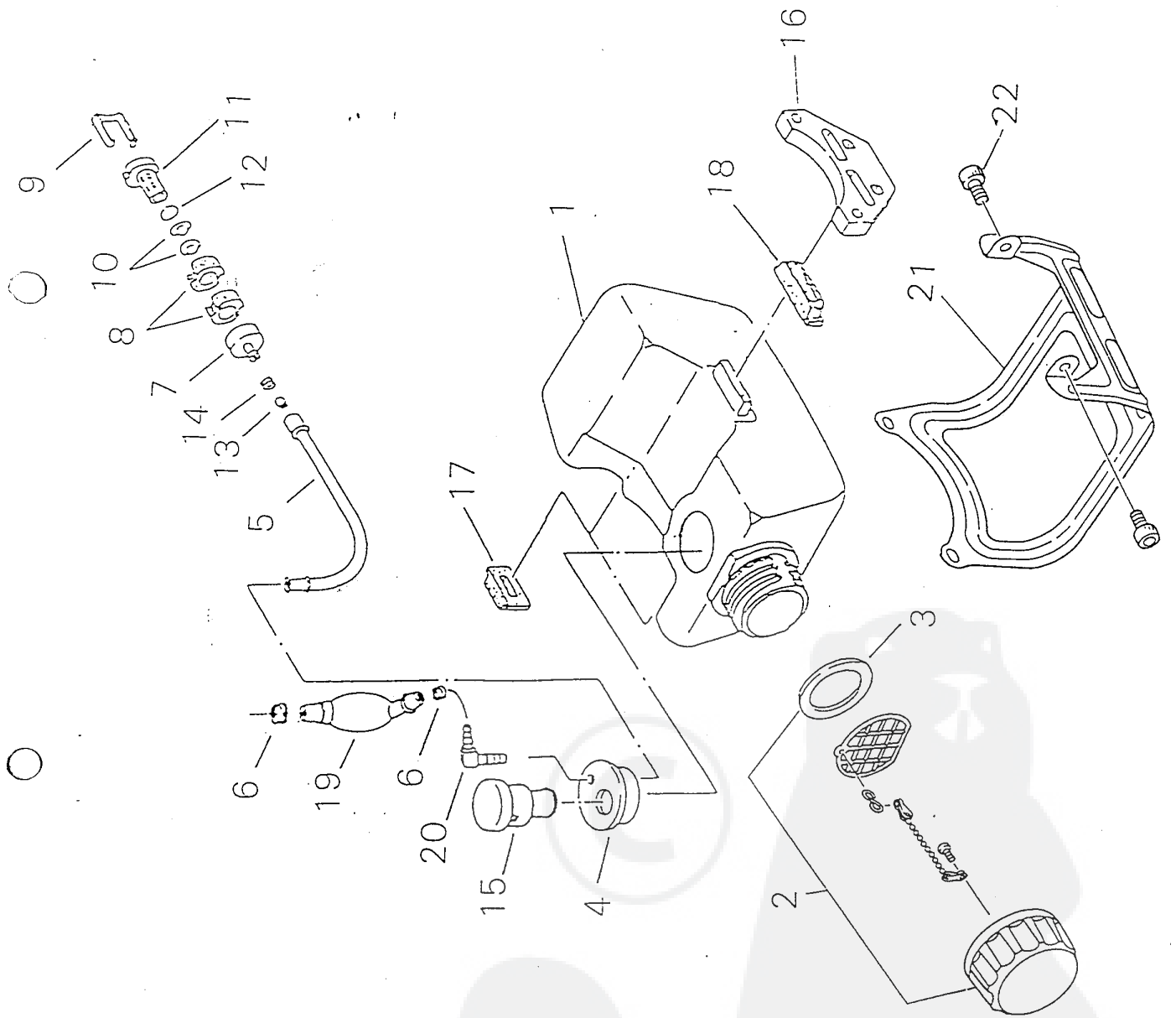
Ref. No	Part No.	Part Name	Q'ty	Unit Price	Remarks
6-	20024-81025	CARBURETOR SUB ASSY	1	7,850	
1	20055-81810	• CABLE ADJUSTER	1	680	
2	70107-81830	• ADJUST PIPE	1	510	
3	20000-81260	• LOCK NUT	1	70	
4	20055-81120	• BODY CAP	1	450	
5	20055-81130	• CAP	1	110	
6	20003-81140	• THROTTLE SPRING	1	130	
7	20000-81150	• SPRING RECEIVE	1	60	
8	20024-81170	• JET NEEDLE	1	580	
9	20024-81180	• THROTTLE VALVE	1	1,050	
10	20000-81310	• SLOW STOP SCREW	1	170	
11	20000-81320	• SPRING	1	50	
12	20000-81330	• SLOW AIR SCREW	1	280	
13	20000-81340	• SPRING	1	50	
14	20011-81351	• ADJUST SCREW	1	380	
15	20011-81360	• SPRING	1	50	
16	20024-81411	• NEEDLE JET	1	830	
17	20011-81420	• HOLDER	1	270	
18	20011-81430	• SPRING	1	140	
19	20000-81441	• NEEDLE VALVE	1	750	
20	20011-81450	• LEVER	1	210	
21	20011-81460	• PIN	1	120	
22	20011-81470	• SCREW	1	40	
23	20011-81510	• GASKET	1	170	
24	20024-81520	• DIAPHRAGM	1	1,090	
25	20011-81530	• COVER DIAPHRAGM	1	330	
26	20000-81540	• SCREW	4	30	
27	20011-81550	• ORVER FLOW VALVE	1	740	
28	20035-81560	• TICKLER LEVER	1	260	
29	20011-81572	• SPRING	1	50	
30	20011-81581	• SCREW	1	50	
31	20011-81590	• COLLAR	1	60	
32	20011-81621	• DIAPHRAGM	1	310	
33	20011-81630	• GASKET	1	110	
34	20011-81641	• PUMP BODY	1	1,070	
35	20000-81650	• SCREW	4	30	
36	20020-81660	• PUMP VALVE	1	790	
37	20040-81680	• SPRING	1	100	

PARTS LIST
SHINDAIWA
(LI38 LIA0380P)

C27/CE

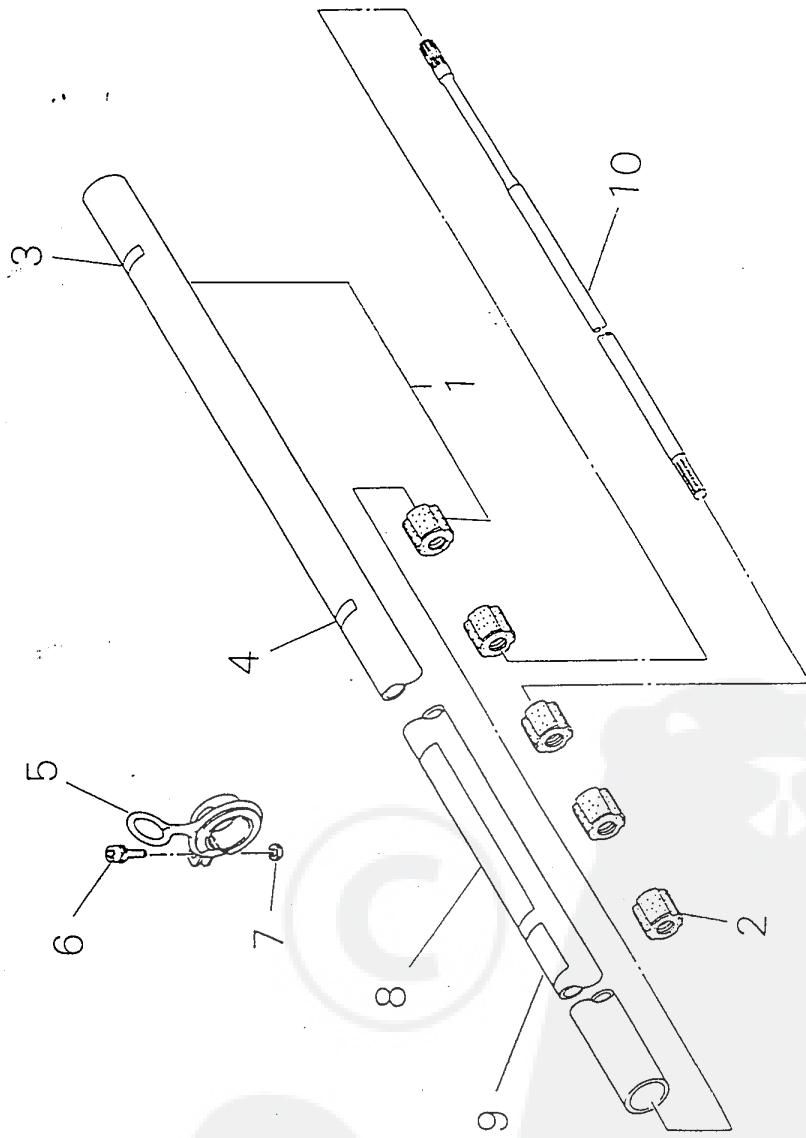
PRICE:(¥)

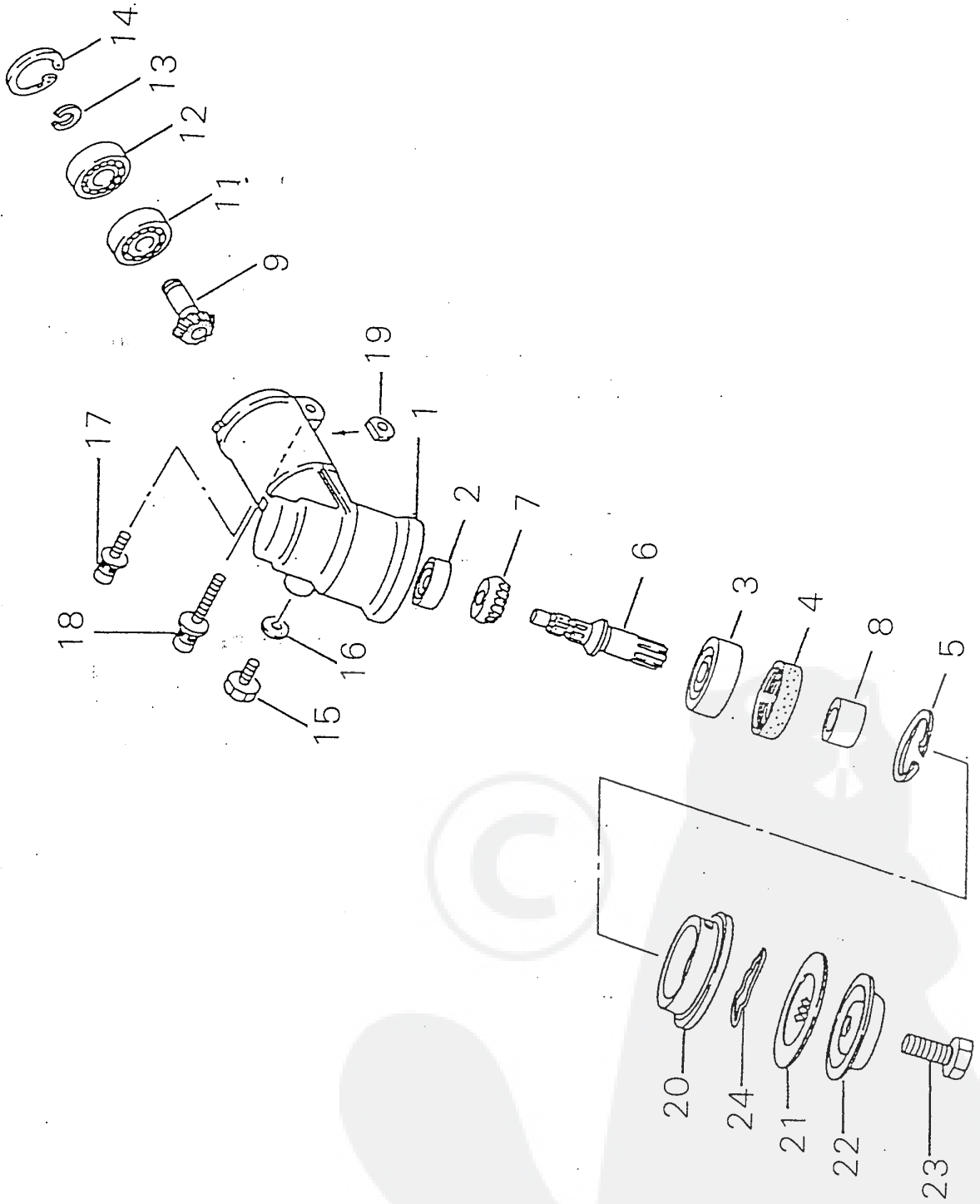
Ref. No	Part No.	P a r t N a m e	Q' ty	Unit Price	Remarks
6- 39	70102-81710	CLEANER BODY	1	720	
40	11207-04250	SCREW PM SLPW	2	20	
41	20056-81740	FILTER	1	130	
42	20024-81770	CLEANER COVER	1	370	
43	20115-81780	KNOB CLEANER	1	200	
44	22100-82430	O RING	1	40	
45	20024-81790	CONE WASHER	1	30	
46	19404-00008.	LABEL CHOKE	1	80	
38	20005-83160	CABLE CAP	1	60	
47	20024-83320	PIPE HOLDER	1	90	
48	20000-83312	PIPE	1	40	
49	20020-85540	CLIP	1	30	
-50	20024-83410	GASKET CARBURETOR	1	60	
51	01020-05650	BOLT	2	70	
52	01600-05130	SPRING WASHER	2	10	
	20011-81910	GASKET KIT	1	270	
23	20011-81510	GASKET	1	170	
34	20011-81630	GASKET	1	110	
	20024-81920	DIAPHRAGM KIT	1	2,200	
24	20024-81520	DIAPHRAGM	1	1,090	
33	20011-81621	DIAPHRAGM	1	310	
32	20020-81660	PUMP VALVE	1	790	
	20024-81931	JET NEEDLE KIT	1	1,330	
7	20024-81170	JET NEEDLE	1	580	
16	20024-81411	NEEDLE JET	1	830	



PRICE:(¥)

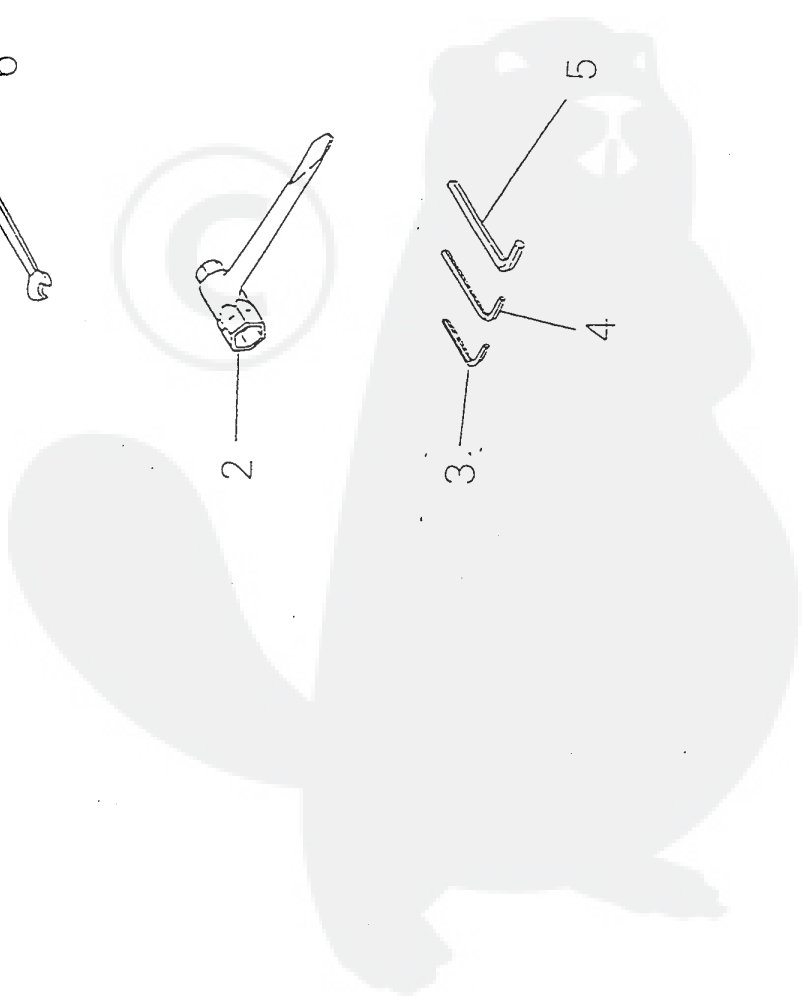
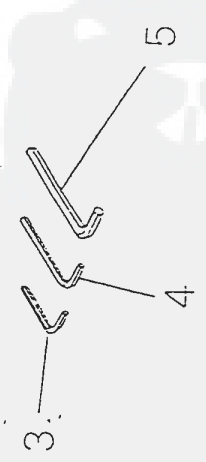
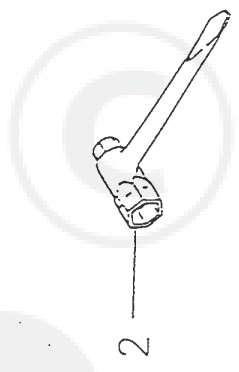
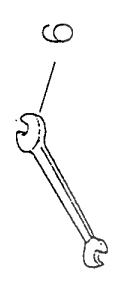
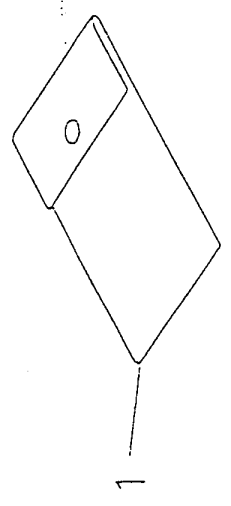
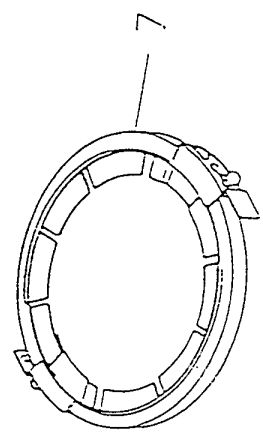
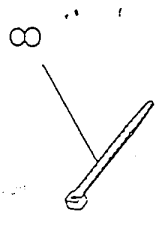
Ref. No	Part No.	Part Name	Q'ty	Unit Price	Remarks
7-	70168-85000	FUEL TANK ASSY	1	5,150	
1	20024-85113	• FUEL TANK	1	1,800	
	70168-85200	• FUEL CAP ASSY	1	400	
3	20000-85220	•• GASKET FUEL	1	60	
4	20024-85571	• GROMMET	1	170	
5	20024-85312	• FUEL PIPE	1	130	
6	20000-85350	• CLAMP B	1	30	
	22115-85401	• FUEL FILTER SUB ASSY	1	1,130	
7	22128-85410	•• WEIGHT FUEL	1	270	
8	22128-85421	•• FILTER	2	110	
9	22128-85440	•• CLIP FILTER	1	100	
10	22118-85460	•• SCREEN	2	170	
11	22128-85470	•• SLEEVE	1	160	
12	22128-85480	•• RING	1	50	
13	20000-85440	• CHECK VALVE	1	540	
14	20000-85350	• CLAMP B	1	30	
15	20024-85008	• BREATHER SUB ASSY	1	900	
	20024-85350	PUMP ASSY	1	600	
19	20024-85360	• PUMP	1	240	
20	22155-33930	• JOINT	1	300	
6	20000-85350	• CLAMP B	2	30	
16	20024-86112	TANK HOLDER	1	330	
17	20024-86120	TANK CUSHION	2	100	
18	20024-86130	TANK CUSHION	1	100	
21	70103-86130	TANK GUARD	1	1,400	
22	11022-05120	BOLT SPW	2	40	





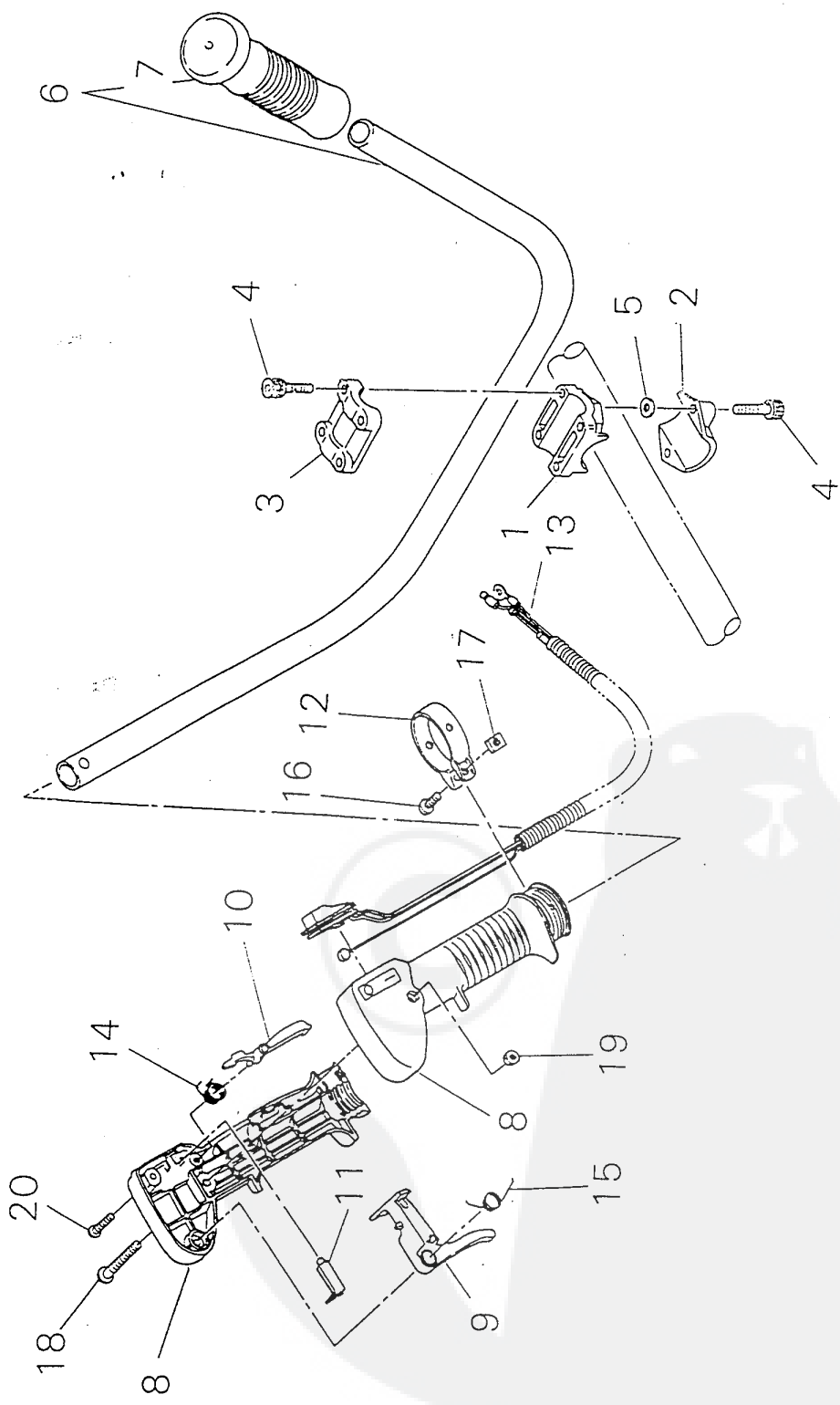
PRICE:(¥)

Ref. No	Part No.	Part Name	Qty	Unit Price	Remarks
9-	72435-13013	GEAR CASE SUB ASSY	1	13,700	
1	72435-13112	• GEAR CASE	1	3,350	
2	02046-00609	• BEARING	1	480	
3	02000-06201	• BEARING	1	300	
4	22024-13121	• OIL SEAL	1	290	
5	02432-32120	• SNAP RING	1	40	
6	72435-13210	• GEAR SHAFT	1	2,460	
7	22024-13220	• BEVEL GEAR	1	1,980	
8	22000-13230	• COLLAR	1	270	
9	22024-13391	• PINION SET	1	2,570	
11	02000-06901	• BEARING	1	580	
12	02002-06901	• BEARING	1	1,150	
13	20000-31140	• SNAP RING	1	40	
14	02432-24120	• SNAP RING	1	40	
15	22015-13410	• BOLT	1	60	
16	22015-13420	• GASKET	1	30	
17	11022-05160	• BOLT SPW	1	50	
18	11022-06280	• BOLT SPW	1	80	
19	22011-13450	• SHIM	1	20	
20	22024-13912	HOLDER A	1	1,600	
21	72435-13920	HOLDER B	1	1,380	
22	22024-13291	BOLT GUARD	1	280	
23	22000-13512	BOLT	1	140	
24	22000-13530	SLIDE PIN	1	130	



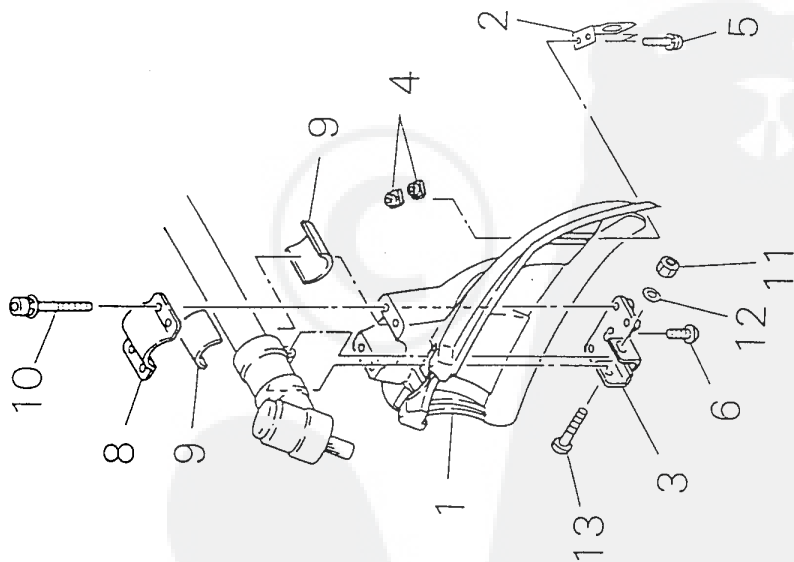
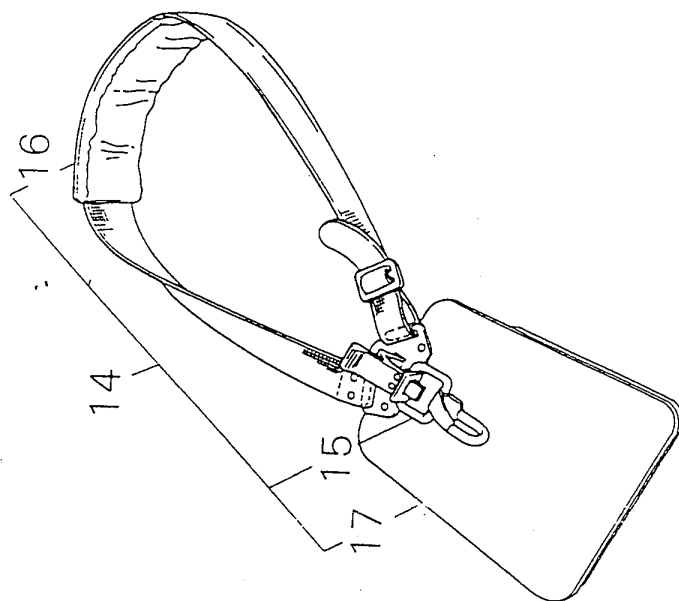
PRICE:(¥)

Ref. No	Part No.	Part Name	Q'ty	Unit Price	Remarks
10-	72055-91000	TOOL SET	1	930	
1	19610-02100	· TOOL BAG	1	140	
2	22000-91181	· PLUG WRENCH	1	530	
3	09026-03001	· HEXA WRENCH	1	80	
4	09026-04001	· HEXA WRENCH	1	90	
5	09026-05001	· HEXA WRENCH	1	100	
6	22000-91120	· SPANNER	1	110	
7	19601-00300	· BLADE COVER	1	490	
8	72431-12190	BAND	2	50	



PRICE:(¥)

Ref. No	Part No.	Part Name	Q'ty	Unit Price	Remarks
11-	72091-14100	BRACKET SUB ASSY	1	2,050	
1	72051-14110	• HANDLE BRACKET	1	750	
2	72051-14120	• LOWER CAP	1	430	
3	72051-14131	• UPPER CAP	1	490	
4	11022-05250	• BOLT SPW	6	50	
5	01610-05080	• WASHER	1	10	
6	72431-14200	HANDLE SUB ASSY	1	1,800	
7	22421-14230	• GRIP	1	630	
	72431-14500	THROTTLE LEVER ASSY	1	6,750	
8	72431-14600	• BODY SUB ASSY	1	2,250	
9	72451-14530	• LEVER	1	450	
10	72451-14540	• LOCK LEVER	1	270	
11	72451-14550	• BUTTON	1	180	
12	72451-14560	• CLAMP	1	160	
13	72451-14570	• THROTTLE CABLE COMP	1	3,600	
14	72451-14580	• RETURN SPRING	1	90	
15	72451-14590	• SPRING	1	130	
16	11203-06200	• SCREW	1	90	
17	01501-05030	• NUT	1	20	
18	11203-05350	• SCREW PM	1	10	
19	01501-05030	• NUT	1	20	
20	72451-14620	• SCREW TAPPING	1	20	



PRICE:(¥)

Ref. No	Part No.	Part Name	Qty	Unit Price	Remarks
12- 1	72480-16112	GUARD	1	350	
2	72480-16120	CUTTER	1	400	
3	72441-16130	LOWER CLAMP	1	170	
4	72030-16150	NUT	2	30	
5	11204-04160	SCREW PM SW	2	10	
6	11202-40100	SCREW HILO	1	30	
8	72480-16210	UPPER CLAMP	1	60	
9	72441-16220	SPACER	2	50	
10	11022-05450	BOLT SPW	4	80	
11	01500-06051	NUT	1	10	
12	01613-06100	WASHER	1	70	
13	11022-06400	BOLT SPW	1	100	
14	72474-17201	STRAP ASSY	1	4,860	
15	22020-17130	HOOK	1	510	
16	22007-17220	PROTECTOR	1	310	
17	72451-17262	PAD	1	1,980	