

shindaiwa

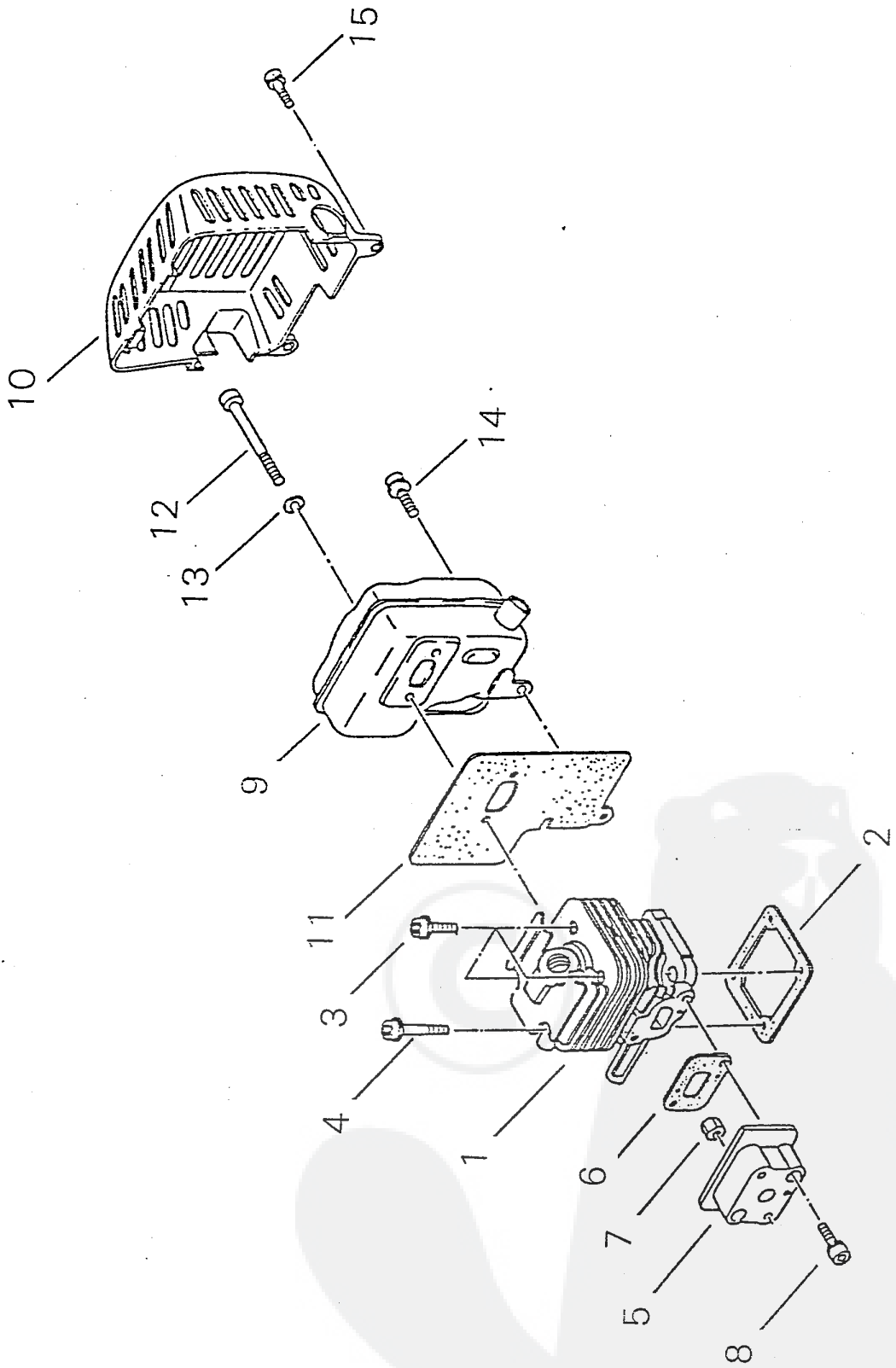
PARTS PRICE LIST

C 2 7

SHIN-DAIWA KOGYO CO. LTD.

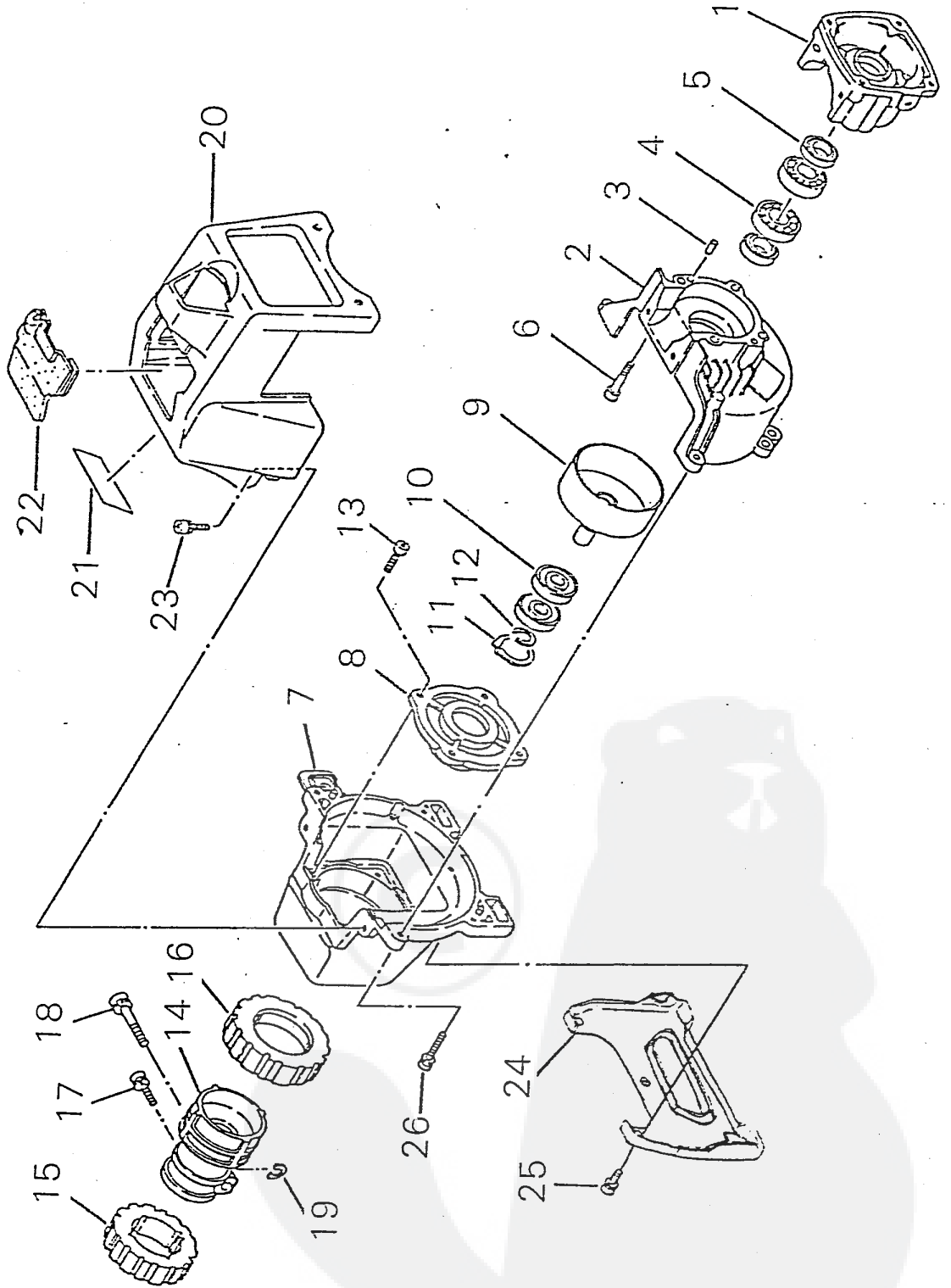
35, Oaza Shin-Ujigami, Chiyoda-cho Yamagata-gun, Hiroshima, 731-14 Japan
Telephone (082672) 6011 Telex 655871 SDKHIR Fax (082672) 6001, 6002
Cable Address SHINDAIWA-HIROSHIMA

JUN. 13. 1991



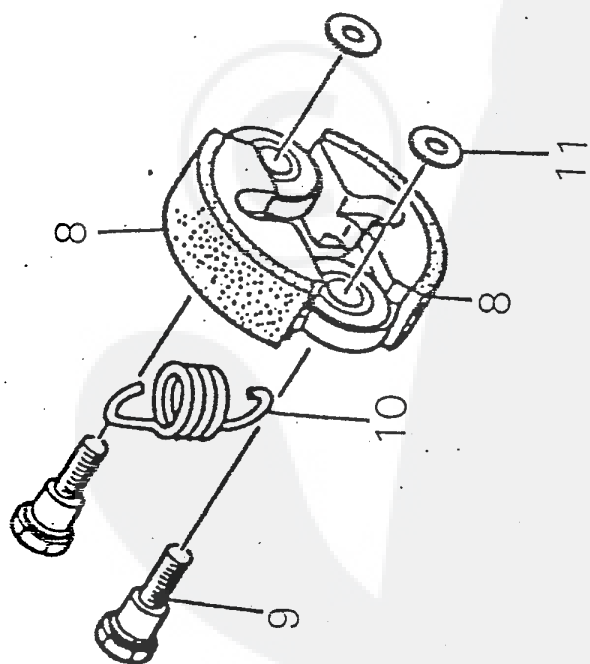
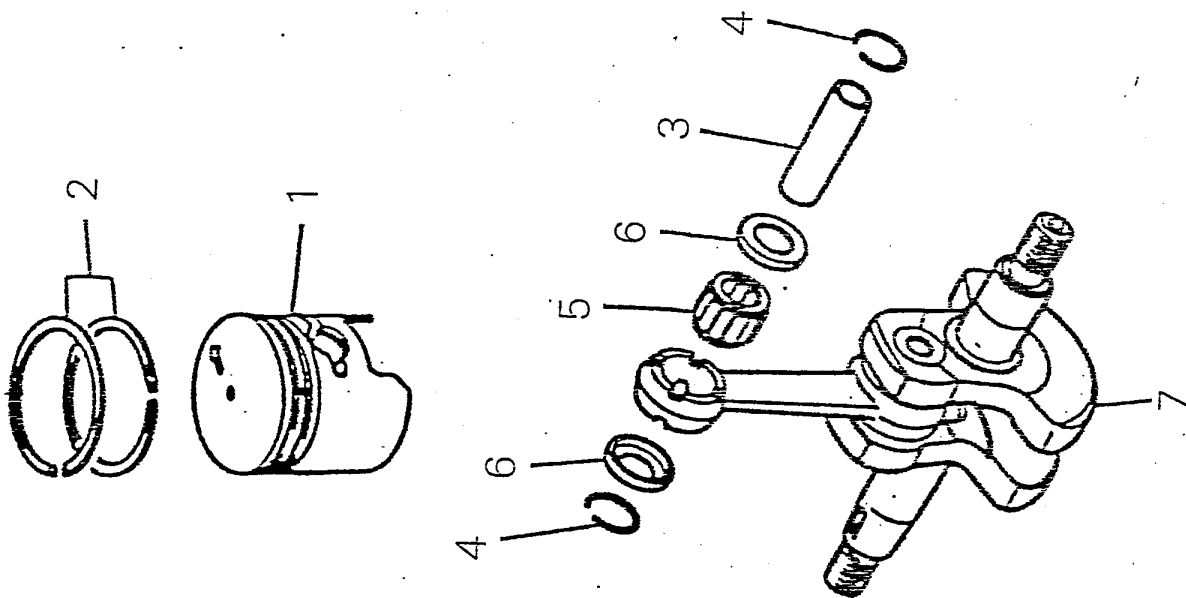
PRICE: (ST)

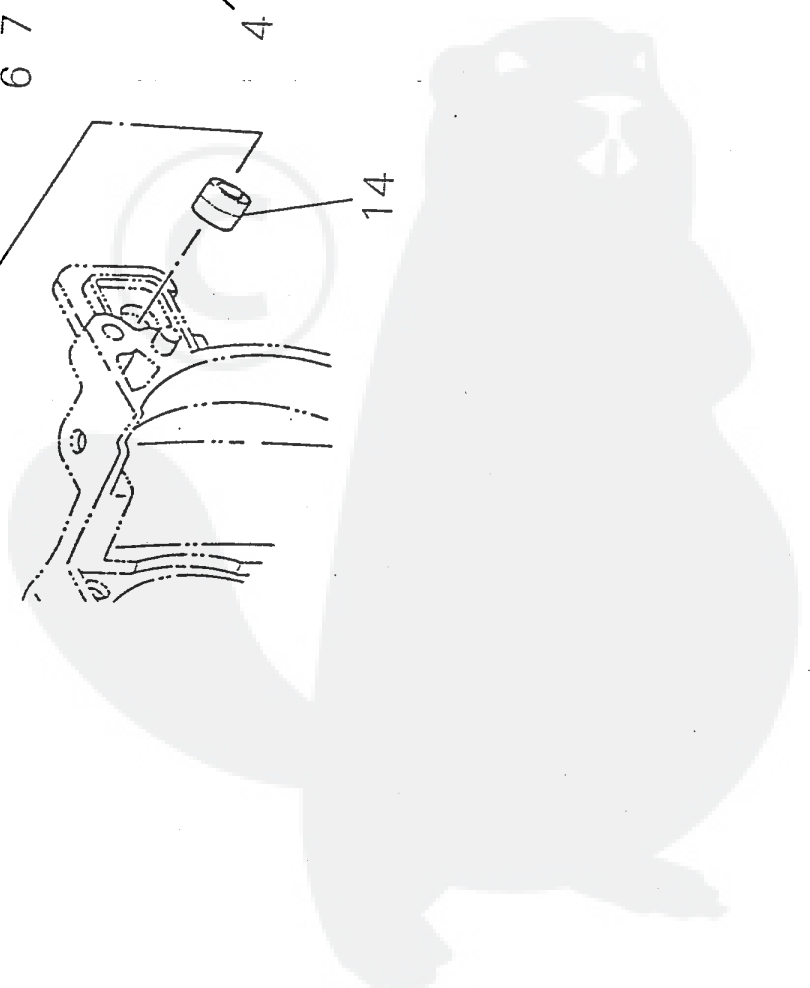
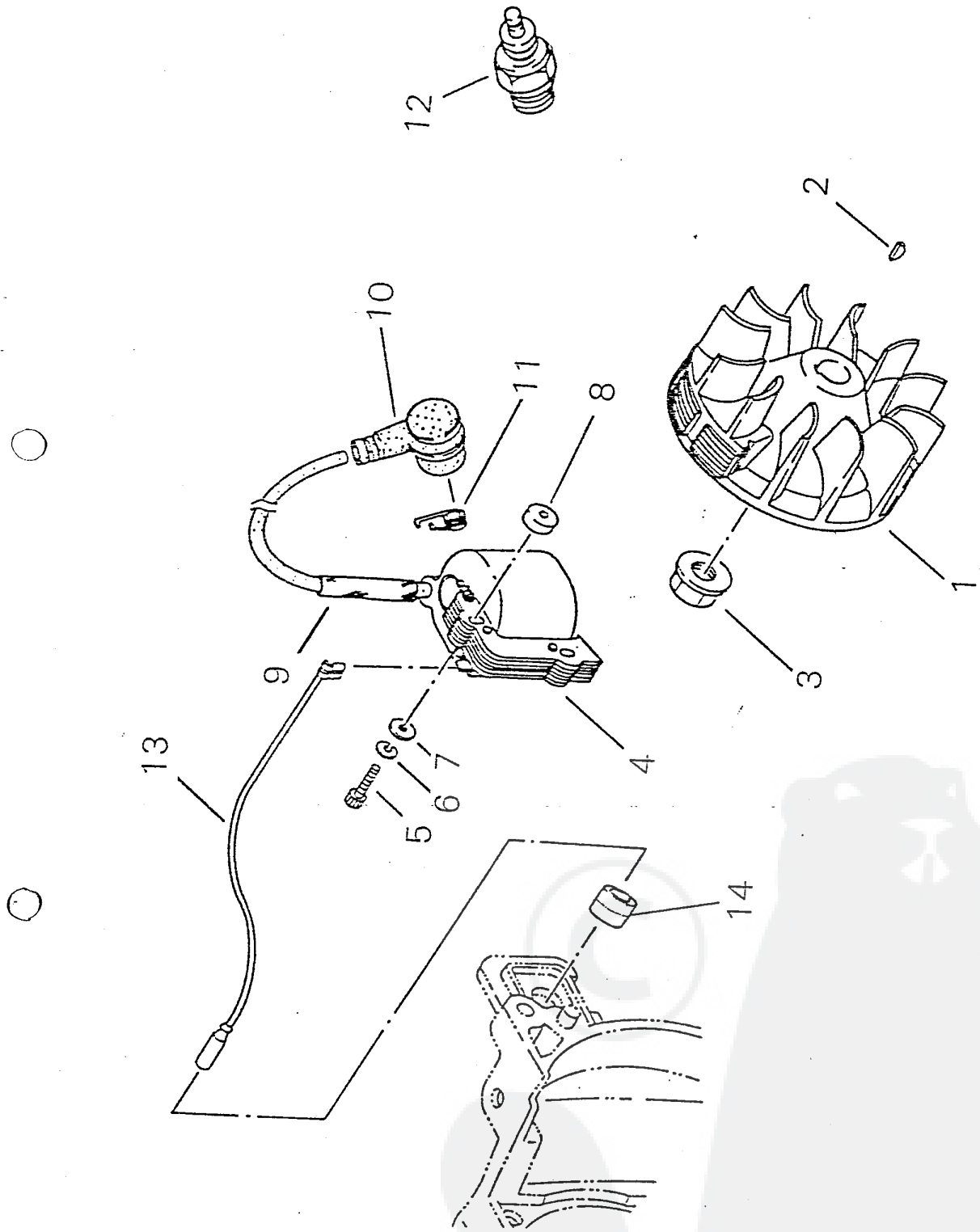
Ref. No	Part No.	Part Name	Q'ty	Unit Price	Remarks
1-	1	20024-12110	CYLINDER	1	
	2	20024-12120	GASKET CYLINDER	1	
	3	11020-05160	BOLT SW	3	
	4	11020-05300	BOLT SW	1	
	5	20024-12212	INSULATOR	1	
	6	20024-12220	GASKET INSULATOR	1	
	7	20024-12260	NUT	2	
	8	11022-05200	BOLT SPW	2	
		70102-15000	MUFFLER ASSY	1	
	9	20024-15116	• MUFFLER	1	
	10	70102-15180	• MUFFLER GUARD	1	
	11	20024-15210	• GASKET MUFFLER	1	
	12	01020-05550	• BOLT	2	
	13	01610-05080	• WASHER	2	
	14	11022-05120	• BOLT SPW	1	
	15	11022-05160	• BOLT SPW	2	

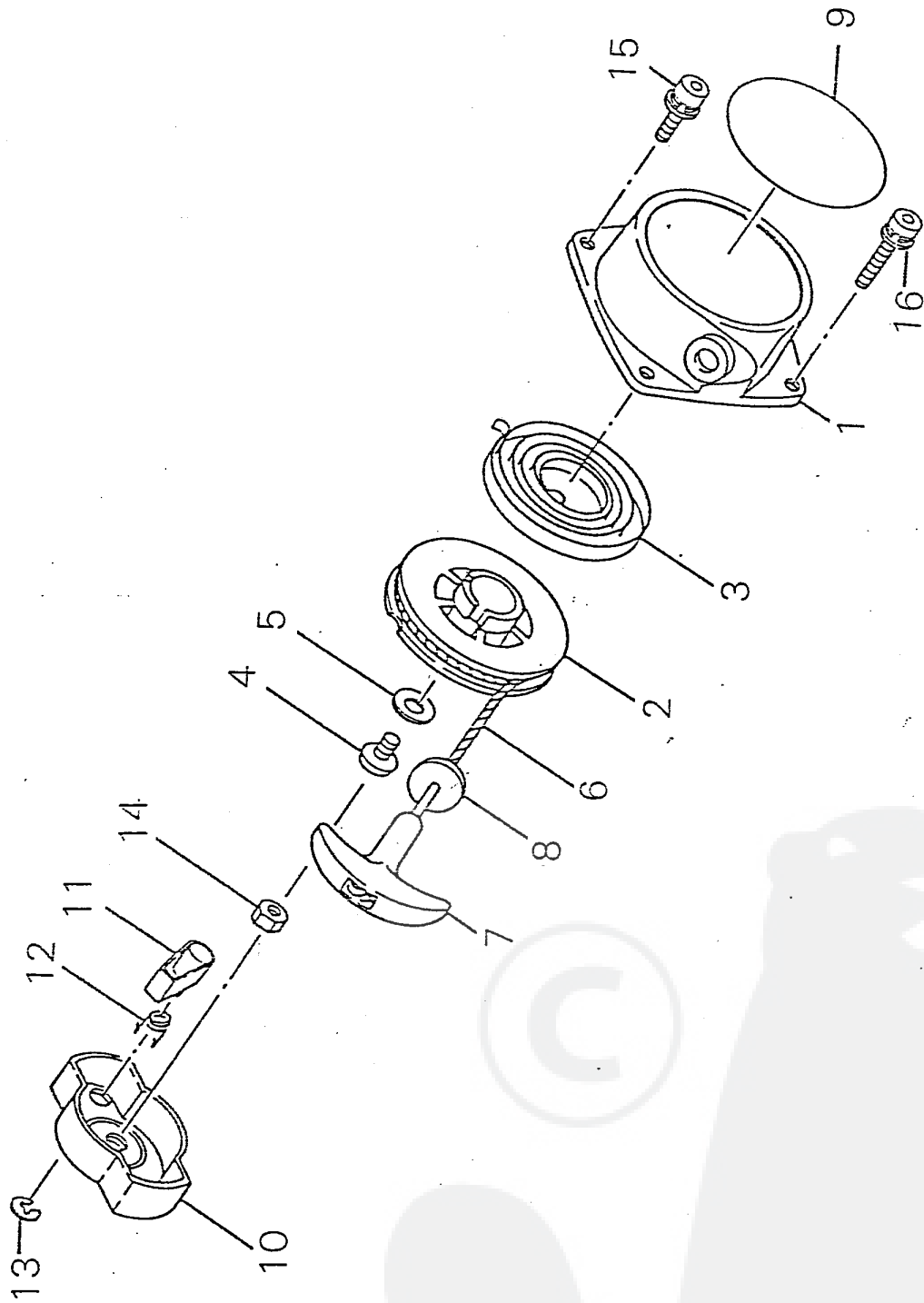


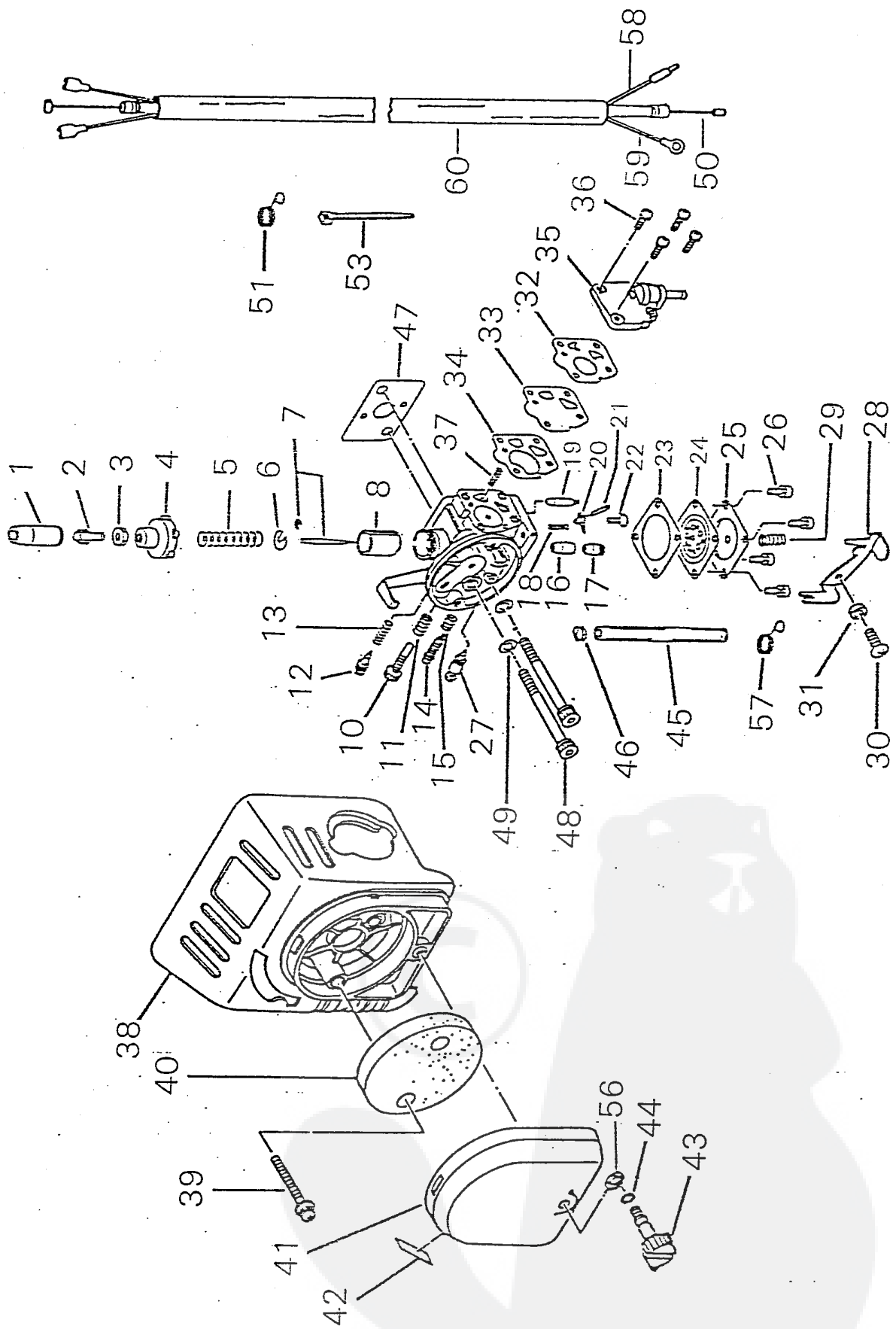
PRICE: (ST)

Ref. No	Part No.	Part Name	Qty	Unit Price	Remarks
2-	20024-21000	CRANK CASE ASSY	1		
1	20024-21110	• CRANK CASE S	1		
2	20024-21120	• CRANK CASE M	1		
3	20000-21140	• DAWEL PIN	2		
4	02030-06201	• BEARING	2		
5	20000-21211	• OIL SEAL	2		
6	01020-05250	• BOLT	4		
7	70102-31110	FAN COVER	1		
	20024-31137	CLUTCH CASE SUB ASSY #	1		
8	20024-31130	• CLUTCH CASE	1		
9	20024-31151	• CLUTCH DRUM	1		
10	02036-06001	• BEARING	2		
11	02432-28120	• SNAP RING	1		
12	20000-31140	• SNAP RING	1		
13	11022-05160	• BOLT SPW	4		
	20024-31418	JOINT SUB ASSY #	1		
14	20024-31410	• JOINT	1		
15	20024-31421	• FRONT CUSHION	1		
16	20024-31431	• REAR CUSHION	1		
17	11022-05160	• BOLT SPW	1		
18	11022-06280	• BOLT SPW	1		
19	20024-31460	• SHIM	1		
	70106-31200	CYLINDER COVER SUB ASSY #	1		
20	70102-31210	• CYLINDER COVER	1		
21	70106-31250	• NAME PLATE	1		
22	20024-31231	DUST CAP	1		
23	11022-05160	BOLT SPW	2		
24	20024-33112	STAND	1		
25	11022-05120	BOLT SPW	3		
26	11020-05180	BOLT SW	4		









PRICE:(ST)

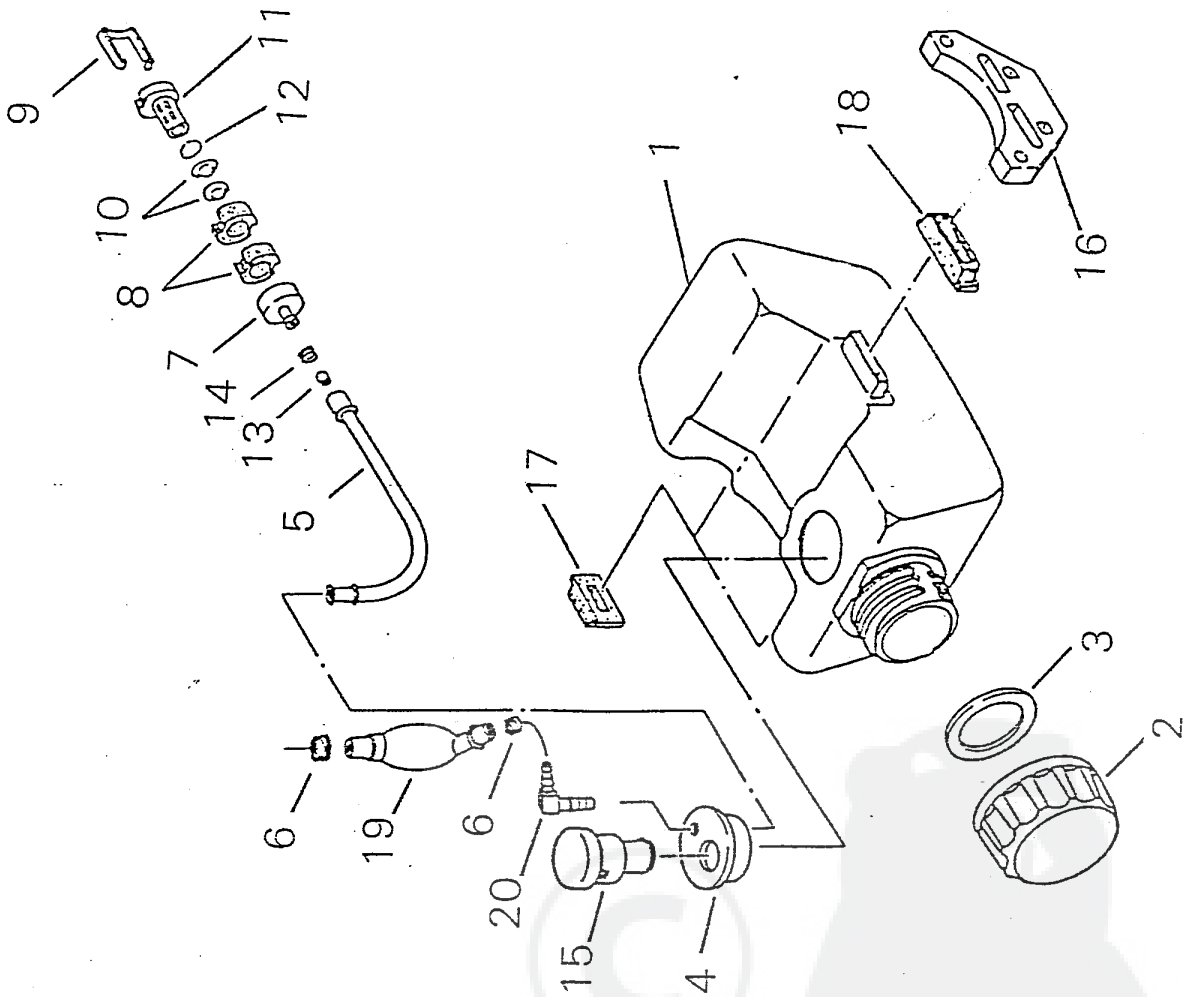
Ref. No	Part No.	Part Name	Q'ty	Unit Price	Remarks
6-	70102-81000	CARBURETOR ASSY	1		
	20024-81024	* CARBURETOR SUB ASSY	1		
1	72920-81130	** ADJUSTER CAP	1		
2	72920-81140	** CABLE ADJUSTER	1		
3	20000-81260	** LOCK NUT	1		
4	72920-81120	** BODY CAP	1		
5	20011-81140	** SPRING	1		
6	20000-81150	** SPRING RECEIVE	1		
7	20024-81170	** JET NEEDLE	1		
8	20024-81180	** THROTTLE VALVE	1		
10	20000-81310	** SLOW STOP SCREW	1		
11	20000-81320	** SPRING	1		
12	20000-81330	** SLOW AIR SCREW	1		
13	20000-81340	** SPRING	1		
14	20011-81351	** ADJUST SCREW	1		
15	20011-81360	** SPRING	1		
16	20024-81411	** NEEDLE JET	1		
17	20011-81420	** HOLDER	1		
18	20011-81430	** SPRING	1		
19	20000-81441	** NEEDLE VALVE	1		
20	20011-81450	** LEVER	1		
21	20011-81460	** PIN	1		
22	20011-81470	** SCREW	1		
23	20011-81510	** GASKET	1		
24	20024-81520	** DIAPHRAGM	1		
25	20011-81530	** COVER DIAPHRAGM	1		
26	20000-81540	** SCREW	4		
27	20011-81550	** ORVER FLOW VALVE	1		
28	20035-81560	** TICKLER LEVER	1		
29	20011-81572	** SPRING	1		
30	20011-81581	** SCREW	1		
31	20011-81590	** COLLAR	1		
32	20020-81660	** PUMP VALVE	1		
33	20011-81621	** DIAPHRAGM	1		
34	20011-81630	** GASKET	1		
35	20011-81641	** PUMP BODY	1		
36	20000-81650	** SCREW	4		
37	20040-81680	** SPRING	1		

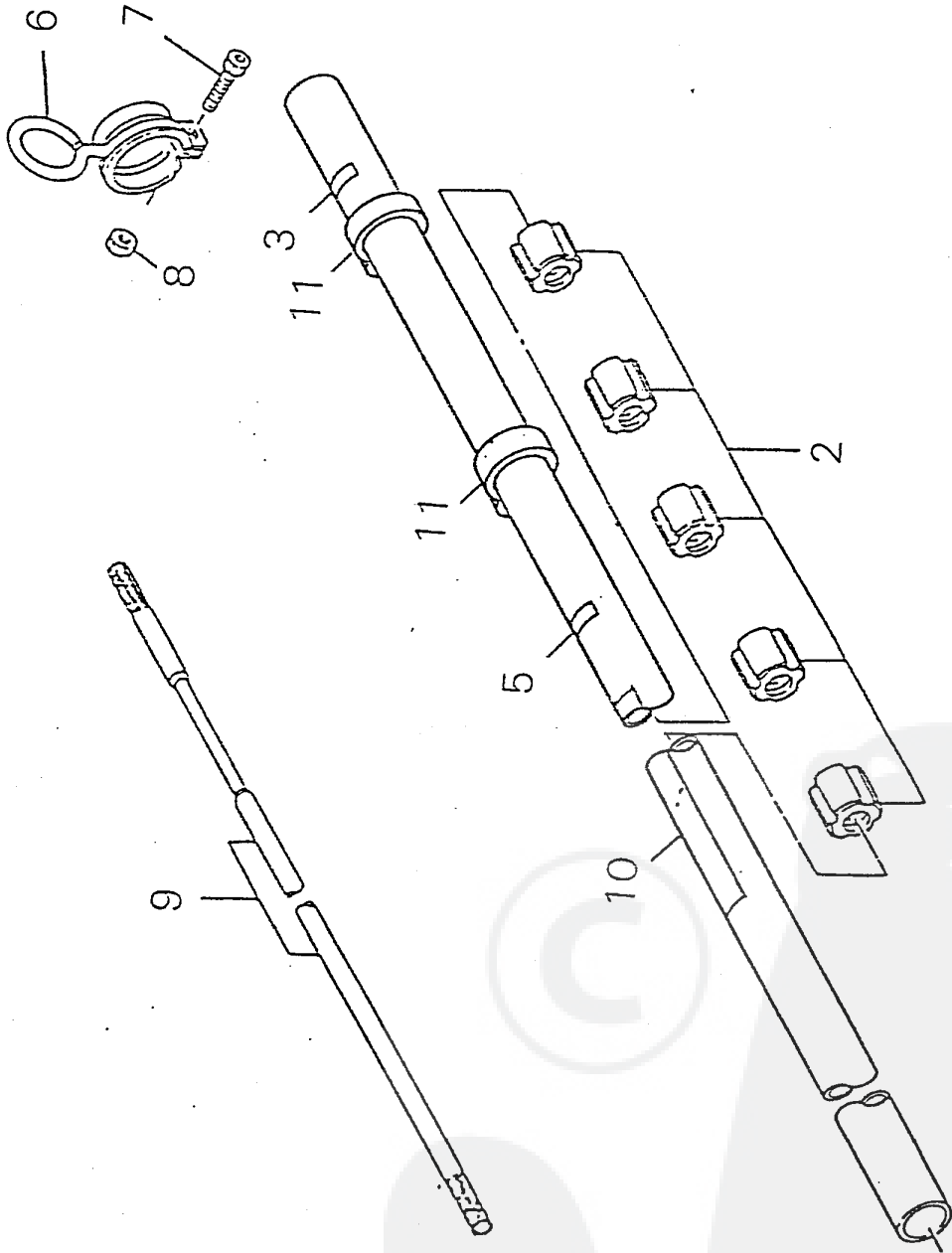
PARTS LIST
SHINDAIWA
(LI38 LIA0380P)

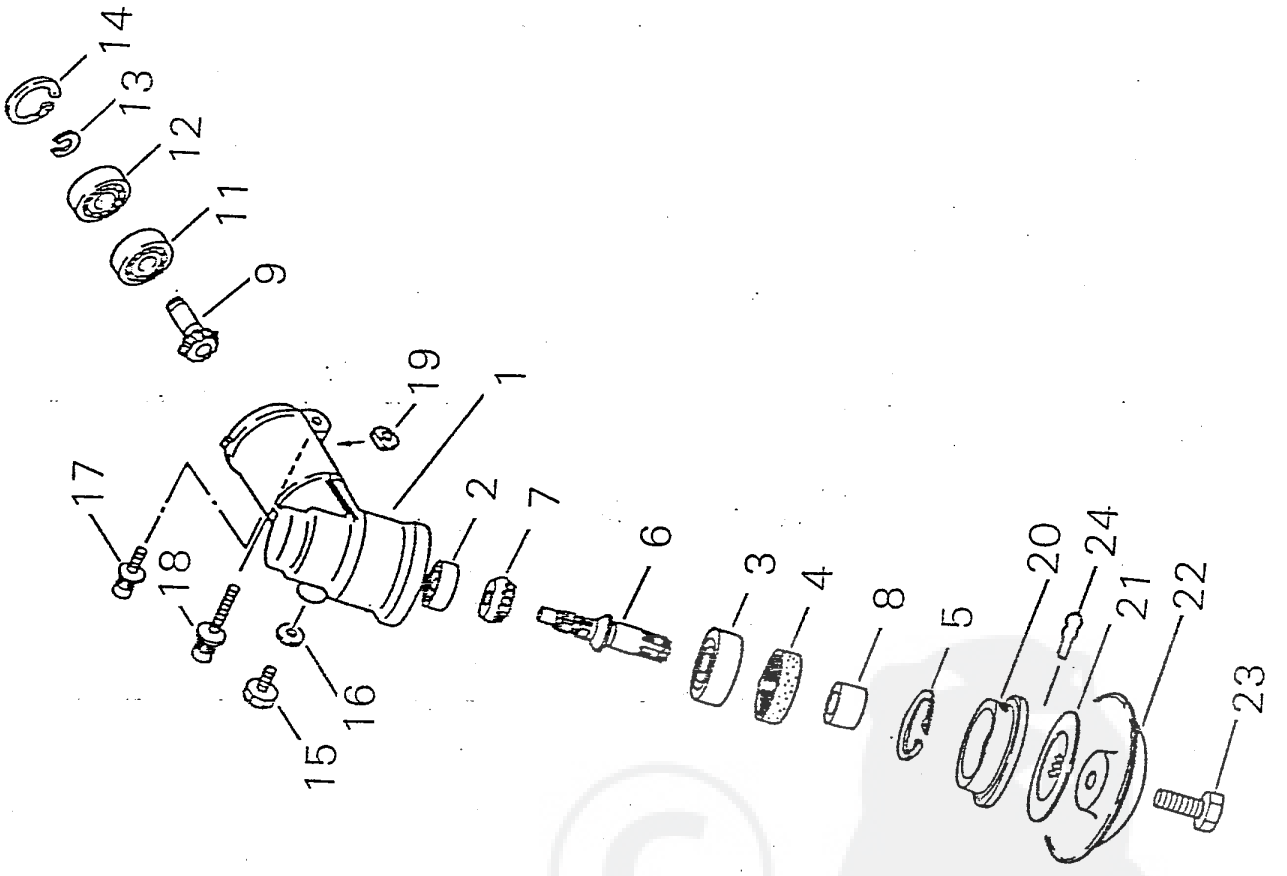
C27/VK

PRICE:(ST)

Ref. No	Part No.	Part Name	Q'ty	Unit Price	Remarks
6-	20024-81701	• CLEANER SUB ASSY	1		
38	20024-81711	•• CLEANER BODY	1		
39	11207-04250	•• SCREW PM SLPW	2		
40	20056-81740	•• FILTER	1		
	20024-81778	•• CLEANER COVER COMP	1		
41	20024-81770	∴ CLEANER COVER	1		
42	19404-00008	∴ LABEL CHORKE	1		
43	20024-81781	∴ KNOB CLEANER	1		
44	22100-82430	∴ O RING	1		
56	20024-81790	∴ COEN WASHER	1		
57	20024-83320	PIPE HOLDER	1		
45	20000-83312	PIPE	1		
46	20020-85540	CLIP	1		
47	20024-83410	GASKET CARBURETOR	1		
48	01020-05650	CAP BOLT	2		
49	01600-05130	SPRING WASHER	2		
	70105-83100	THROTTLE CABLE SUB ASSY	1		
50	20026-83111	• THROTTLE CABLE	1		
	70106-83109	• CORD ASSY	1		
58	70105-83120	•• CORD	1		
59	70105-83130	•• CORD	1		
60	70105-83140	•• TUBE	1		
51	20024-83151	CABLE HOLDER	1		
	20011-81910	GASKET KIT	1		
23	20011-81510	• GASKET	1		
34	20011-81630	• GASKET	1		
	20024-81920	DIAPHRAGM KIT	1		
24	20024-81520	• DIAPHRAGM	1		
33	20011-81621	• DIAPHRAGM	1		
32	20020-81660	• PUMP VALVE	1		
	20024-81931	JET NEEDLE KIT	1		
7	20024-81170	• JET NEEDLE	1		
16	20024-81411	• NEEDLE JET	1		

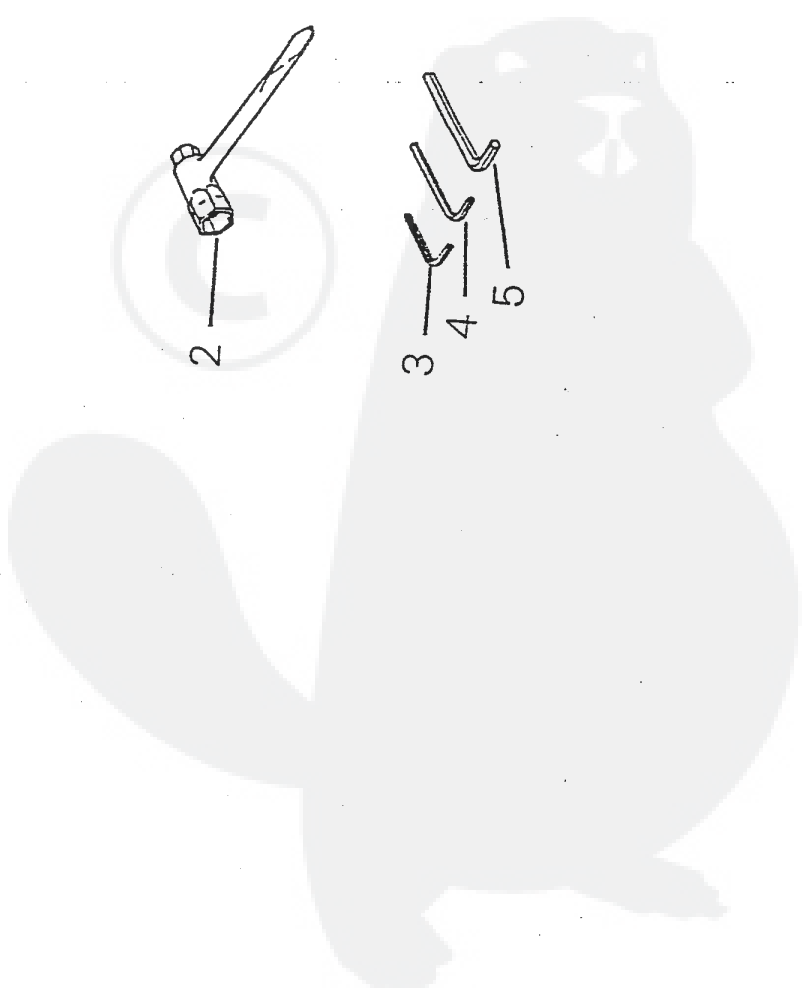
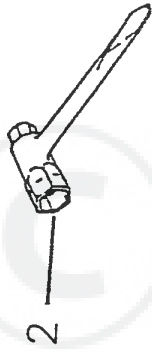
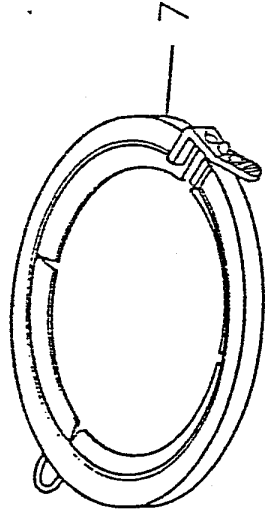
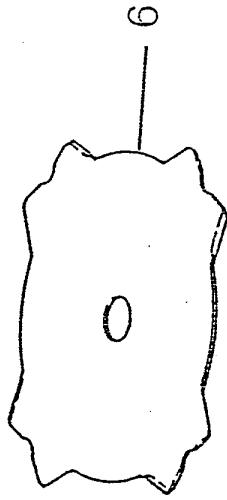
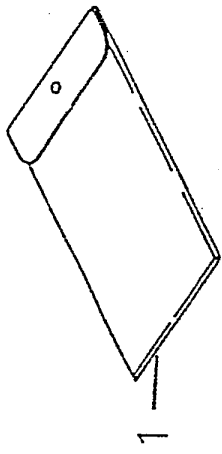






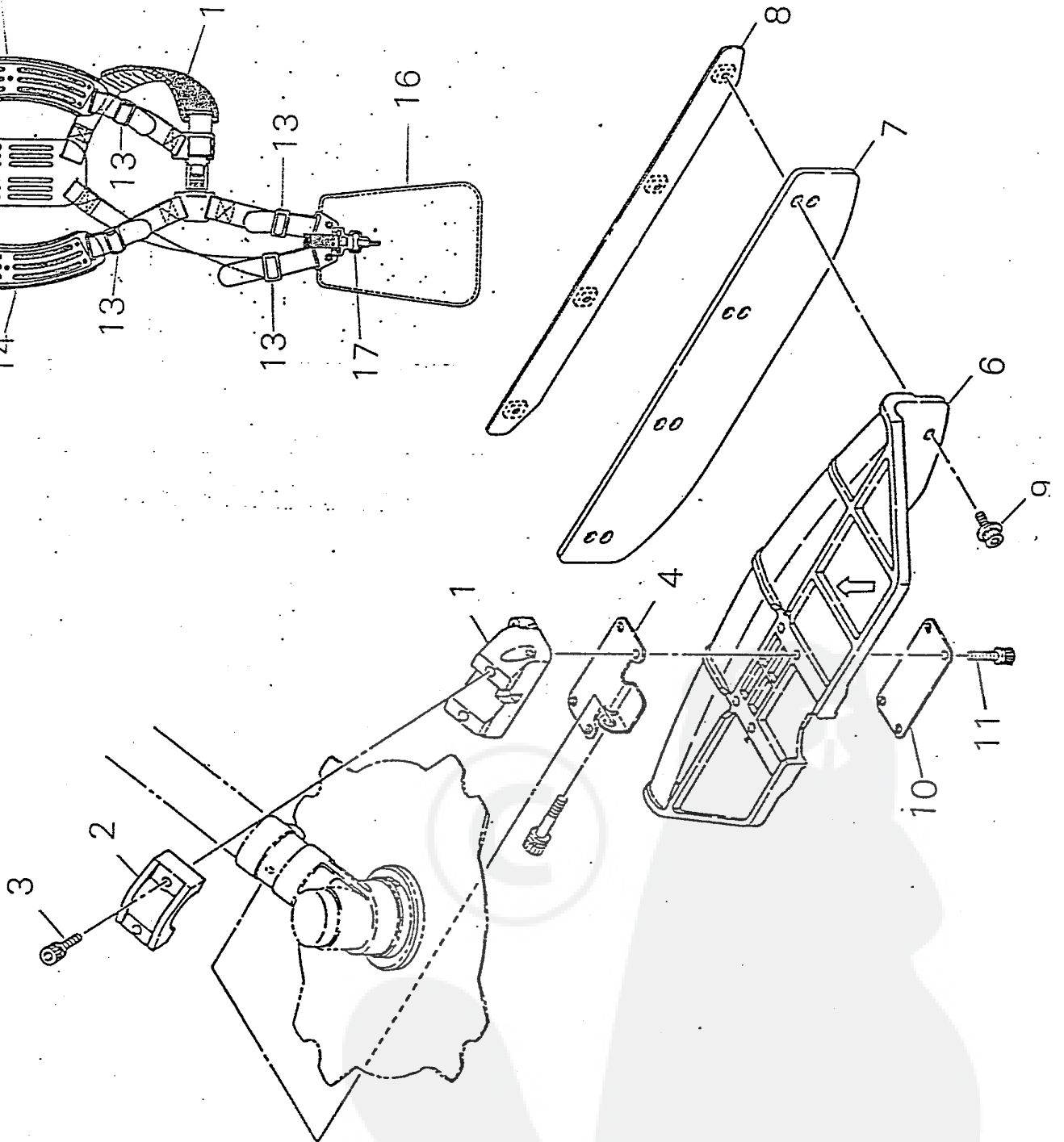
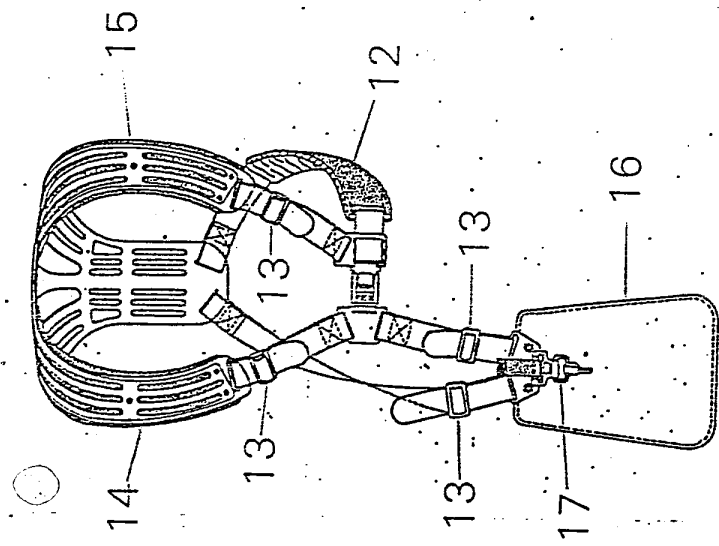
PRICE: (ST)

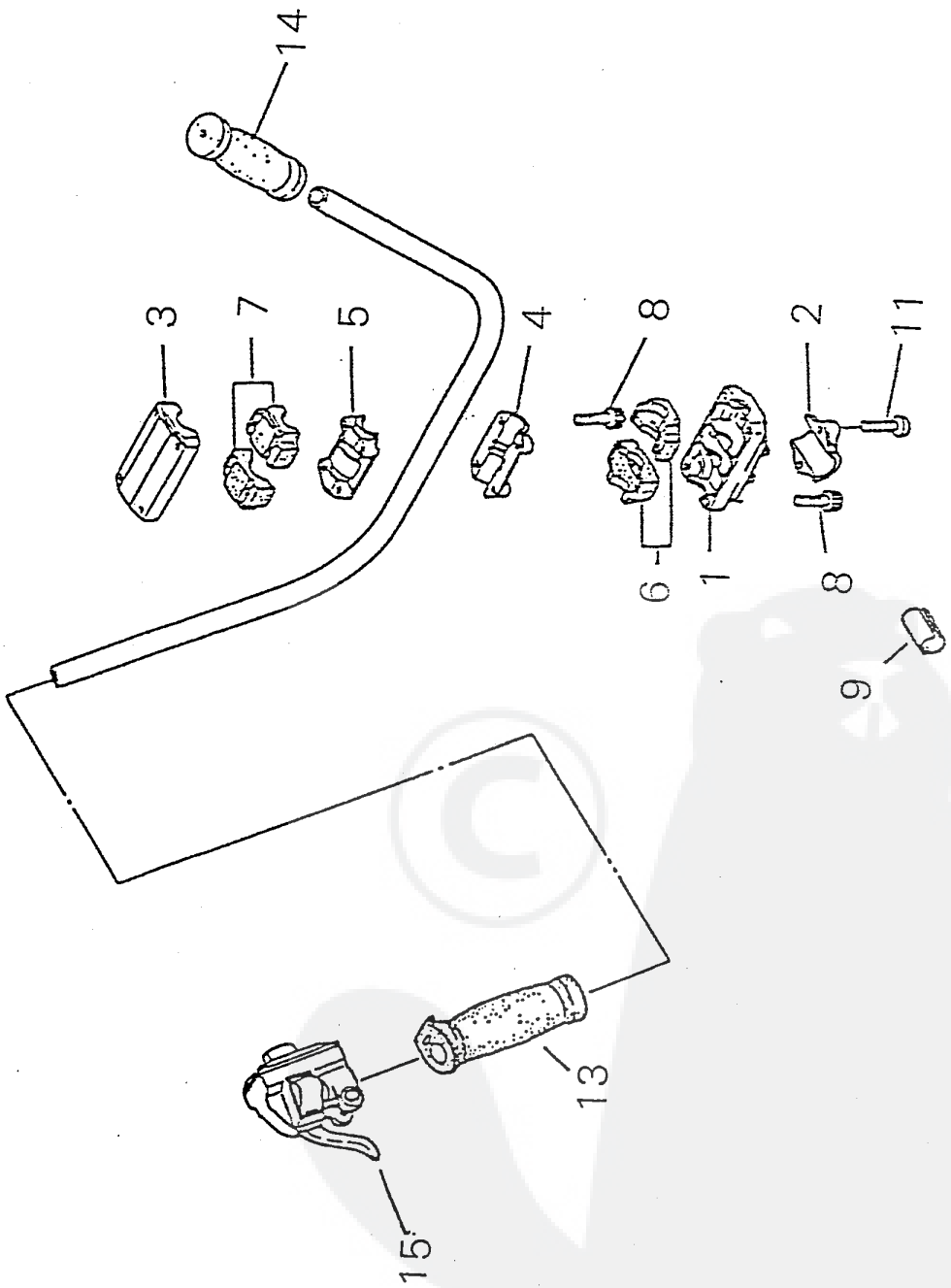
Ref. No	Part No.	Part Name	Q'ty	Unit Price	Remarks
9-	72445-13003	GEAR CASE ASSY	1		
1	72435-13112	• GEAR CASE	1		
2	02006-00609	• BEARING	1		
3	02000-06201	• BEARING	1		
4	22024-13120	• OIL SEAL	1		
5	02432-32120	• SNAP RING	1		
6	72435-13210	• GEAR SHAFT	1		
7	22024-13220	• BEVEL GEAR	1		
8	22000-13230	• COLLAR	1		
9	22024-13390	• PINION SET	1		
11	02000-06901	• BEARING	1		
12	02002-06901	• BEARING	1		
13	20000-31140	• SNAP RING	1		
14	02432-24120	• SNAP RING	1		
15	22015-13410	• BOLT	1		
16	22015-13420	• GASKET	1		
17	11022-05160	• BOLT SPW	1		
18	11022-06280	• BOLT SPW	1		
19	22011-13450	• SHIM	1		
20	22024-13912	• HOLDER A	1		
21	72435-13920	• HOLDER B	1		
22	72444-13290	• STABILIZER	1		
23	22000-13512	• BOLT	1		
24	22000-13530	• SLIDE PIN	1		



PRICE: (ST)

Ref. No	Part No.	Part Name	Q'ty	Unit Price	Remarks
10-	72444-91000	TOOL SET	1		
1	72444-91110	• TOOL BAG	1		
2	22000-91181	• PLUG WRENCH	1		
3	22100-91551	• WRENCH 3	1		
4	22100-91561	• WRENCH 4	5		
5	22011-91570	• WRENCH 5	1		
6	22035-92710	SAW COVER	1		
7	22055-92165	CROSS SAW	1		





PRICE:(ST)

Ref. No	Part No.	Part Name	Q'ty	Unit Price	Remarks
12-	72445-14000	HANDLE ASSY #	1		
	72017-14100	• BRACKET COMP	1		
1	72017-14110	•• HANDLE BRACKET	1		
2	72017-14120	•• LOWER CAP	1		
3	72017-14130	•• UPPER CAP	1		
4	22015-14140	•• LOWER CLAMP	1		
5	22015-14150	•• UPPER CLAMP	1		
6	22015-14160	•• LOWER CUSHION	2		
7	22015-14170	•• UPPER CUSHION	2		
8	11022-05250	•• BOLT SPW	8		
9	72445-14190	• SPACER	2		
11	11210-06250	•• SCREW BUTTON	2		
	72447-14200	• HANDLE SUB ASSY	1		
13	72447-14220	•• RIGHT GRIP	1		
14	22015-14230	•• LEFT GRIP	1		
15	72447-14300	• LEVER COMP	1		