

# Shindaiwa Illustrated Parts List

## C300 EC1 Brushcutter

---

CYLINDER / MUFFLER .....	2
CRANKCASE .....	3
PISTON / CLUTCH SHOE .....	4
ROTOR .....	5
CARBURETOR / CLEANER BODY .....	6 - 7
RECOIL STARTER / STARTER PULLEY .....	8
FUEL TANK .....	9
OUTER PIPE .....	10
GEAR CASE .....	11
THROTTLE LEVER / HANDLE .....	12
GUARD SET / STRAP .....	13
BLADE COVER .....	14
TOOL SET .....	14

[www.shindaiwa.com](http://www.shindaiwa.com)

11975 SW Herman Road

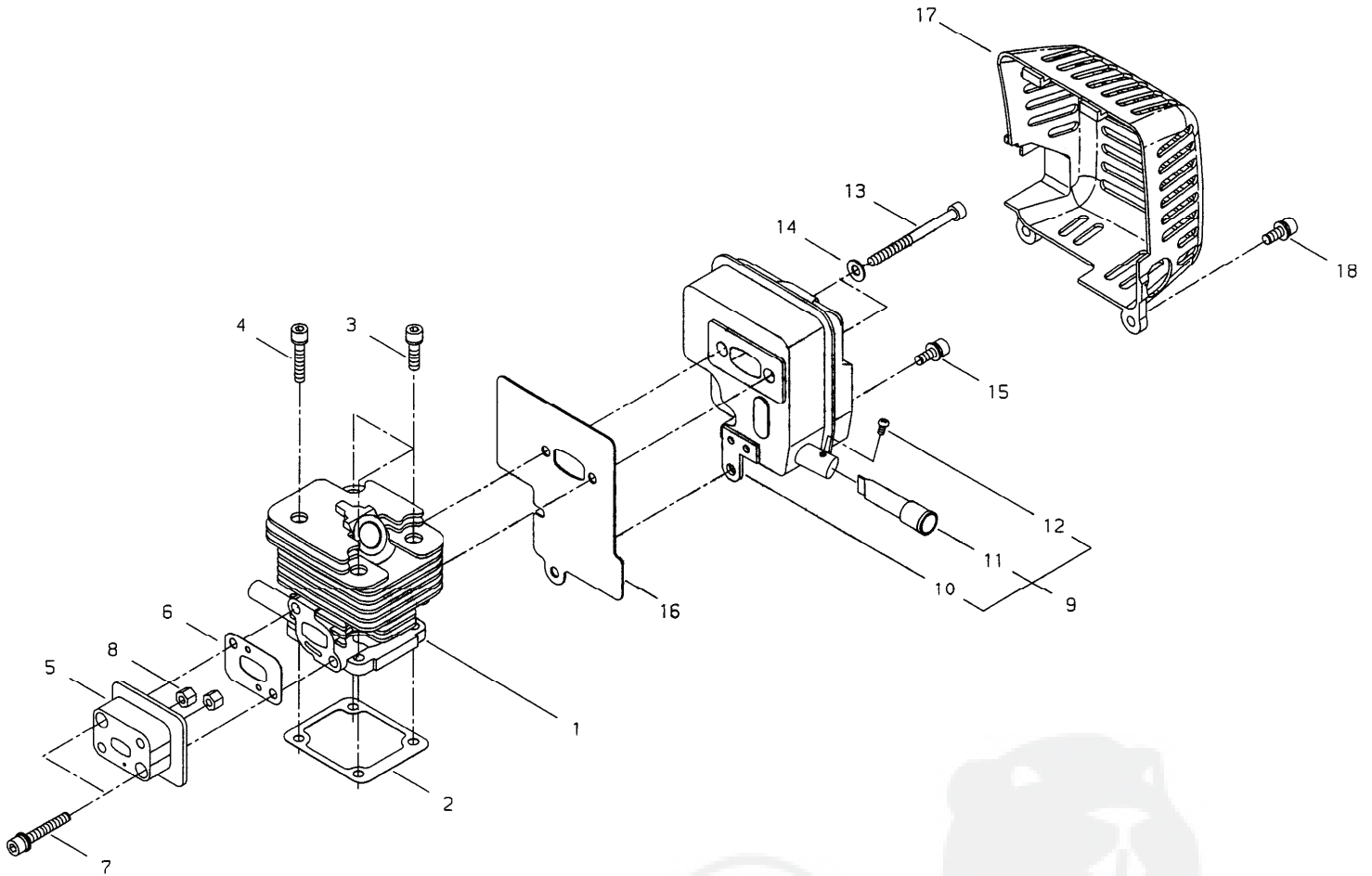
Tualatin, Oregon 97062, U.S.A.

1 + 503.692.3070 • fax 1 + 503.692.6696 •

**shindaiwa**

## CYLINDER / MUFFLER

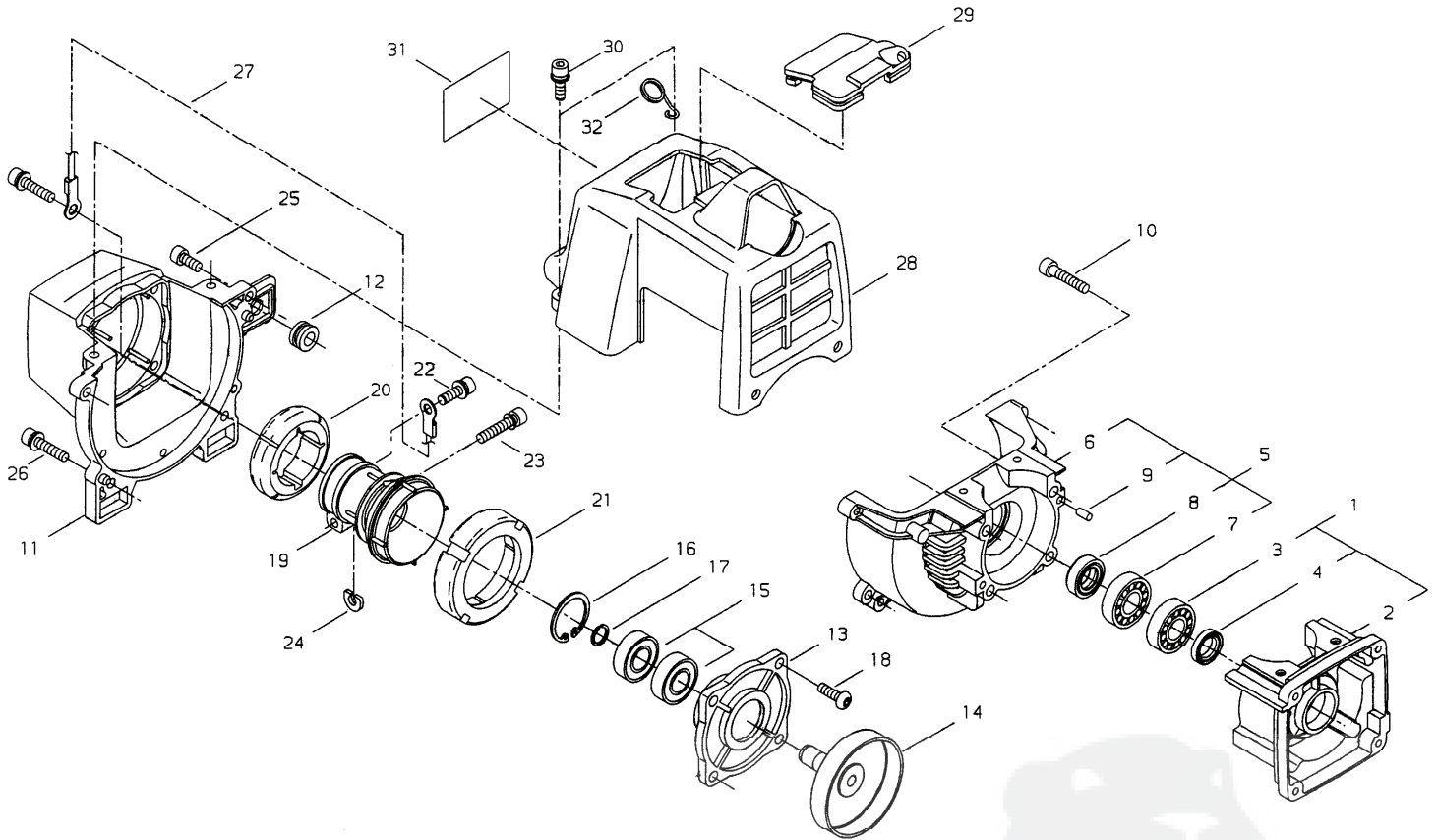
ILLUSTRATION 1 - REV 11/04



Ref. No	Part No.	Part Name	Q'ty
1- 1	20024-12110	CYLINDER	1
2	62074-12120	GASKET CYLINDER	1
3	11020-05160	BOLT SW	3
4	11020-05300	BOLT SW	1
5	70244-12210	INSULATOR	1
6	20024-12221	GASKET INSULATOR	1
7	11022-05200	BOLT SPW	2
8	20024-12260	NUT	2
9	70103-15100	MUFFLER SUB ASSEMBLY	1
10	70103-15110	*MUFFLER	1
11	70103-15150	*SPARK ARRESTER	1
12	01270-03062	*SCREW TAPPING	1
13	01020-05550	BOLT	2
14	01610-05080	WASHER	2
15	11022-05120	BOLT SPW	1
16	20024-15210	GASKET MUFFLER	1
17	70102-15180	MUFFLER GUARD	1
18	11022-05160	BOLT SPW	2

CRANKCASE

ILLUSTRATION 2 - REV 11/04



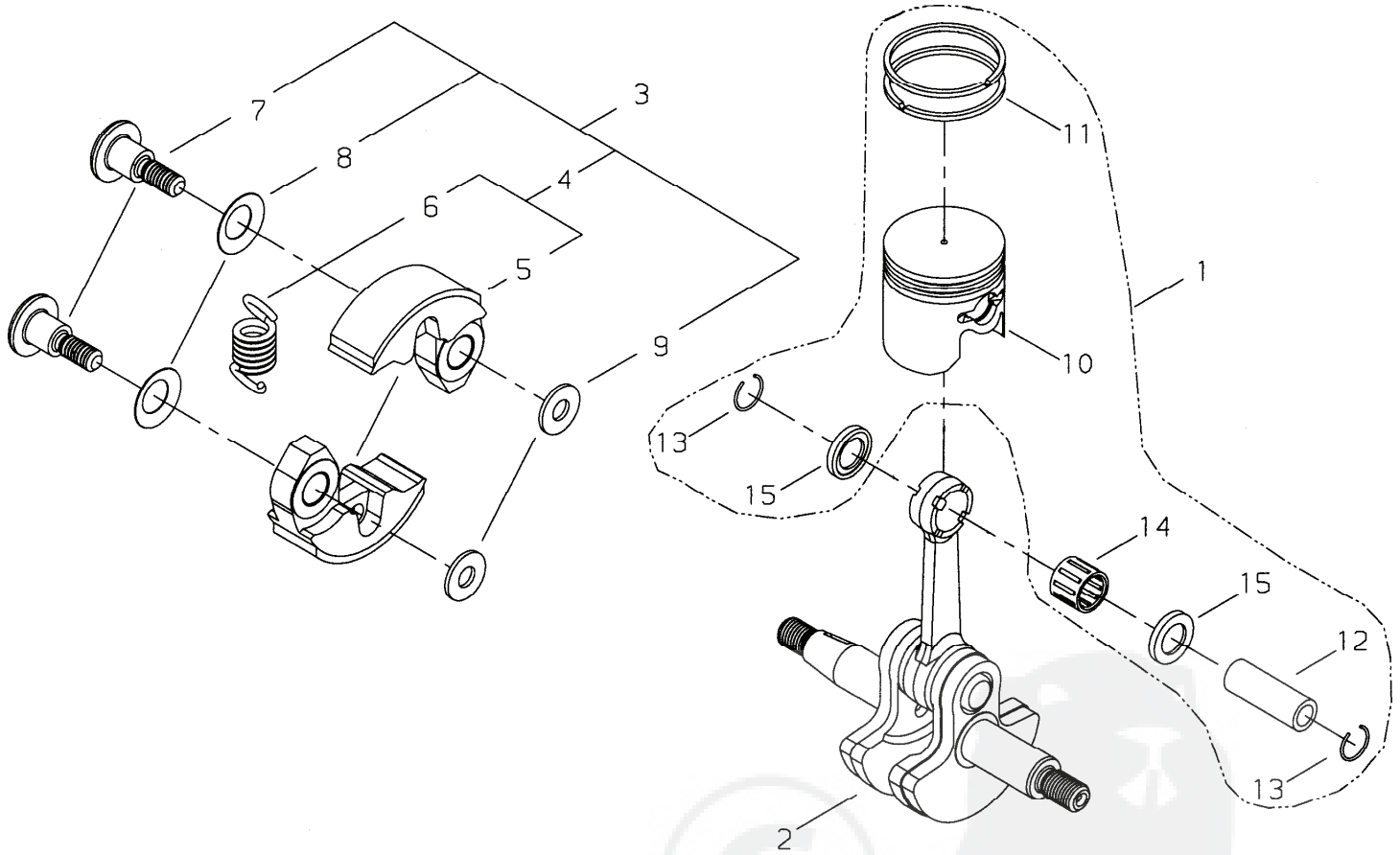
Ref. No	Part No.	Part Name	Q'ty
2-1	62073-21010	CRANKCASE S COMP	1
2	20024-21110	*CRANKCASES	1
3	12900-62010	*BEARING	1
4	20000-21211	*OIL SEAL	1
5	62073-21020	CRANKCASE M COMP	1
6	20024-21120	*CRANKCASE M	1
7	12900-62010	*BEARING	1
8	20000-21211	*OIL SEAL	1
9	12492-50100	*DOWEL PIN	2
10	01020-05250	BOLT	4
11	70102-31110	FAN COVER	1
12	70105-31520	GROMMET	1
13	20024-31130	CLUTCH CASE	1
14	72575-98021	CLUTCH DRUM	1
15	02036-06001	BEARING	2
16	02432-28120	SNAP RING	1

Ref. No	Part No.	Part Name	Q'ty
17	20000-31140	SNAP RING	1
18	11210-05160	SCREW BUTTON	4
19	20024-31410	JOINT	1
20	20024-31421	FRONT CUSHION	1
21	20024-31421	FRONT CUSHION	1
22	11022-05160	BOLT SPW	1
23	11022-06280	BOLT SPW	1
24	20024-31460	SHIM	1
25	11020-05180	BOLT SW	2
26	11022-05300	BOLT SW	2
27	70192-31510	EARTH CORD	1
28	70102-31211	CYLINDER COVER	1
29	20024-31231	DUST CAP	1
30	11022-05160	BOLT SPW	2
31	62098-91320	LABEL TRADE	1
32	20024-83152	CABLE HOLDER	1

\* Denotes item is part of an assembly \*\* Denotes item is part of a sub-assembly

## PISTON / CLUTCH SHOE

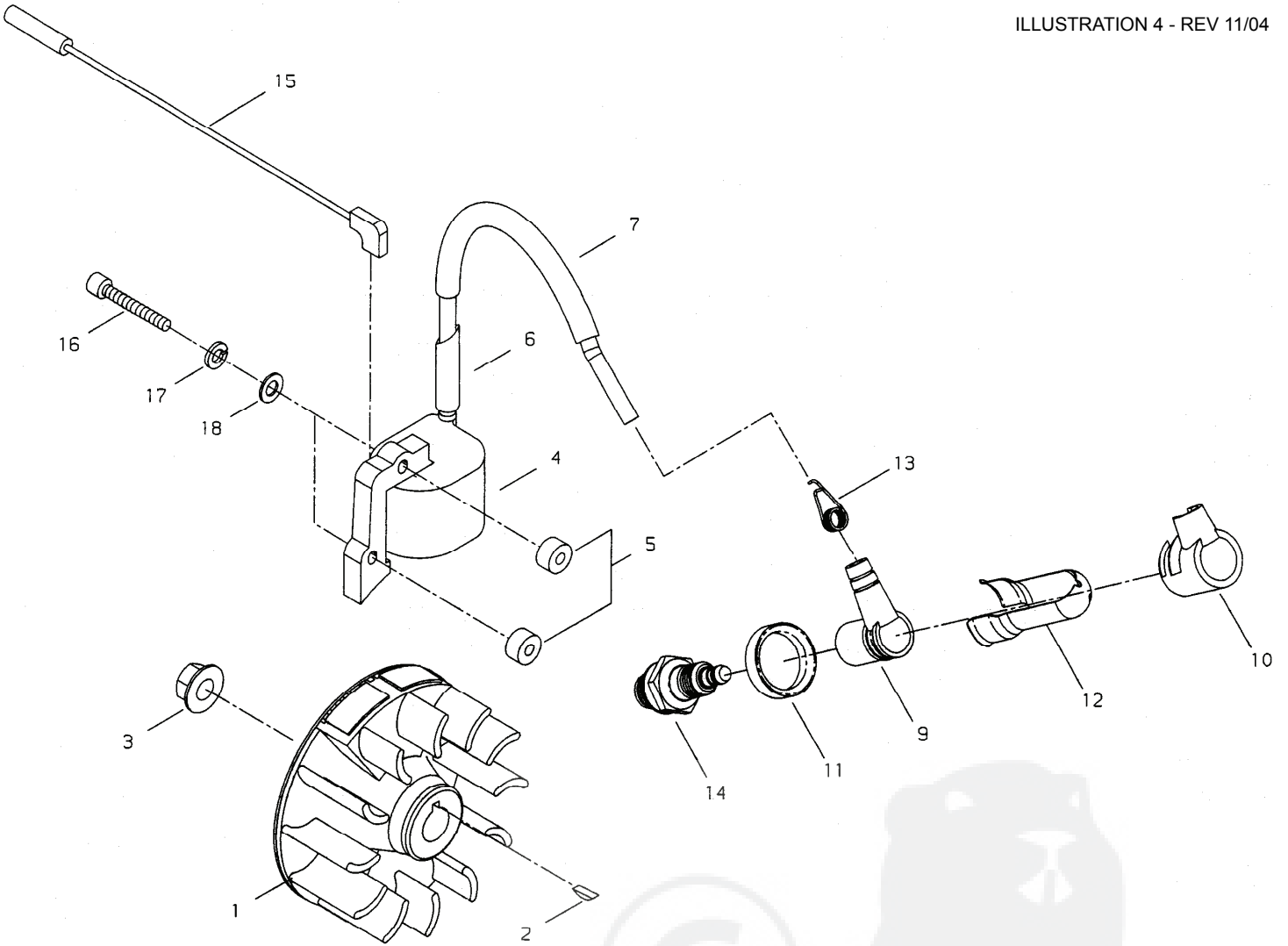
ILLUSTRATION 3 - REV 11/04



Ref. No	Part No.	Part Name	Q'ty
3-1	20024-41000	PISTON ASSEMBLY	1
10	20024-41110	*PISTON	1
11	20024-41210	*PISTON RING	2
12	20024-41311	*PISTON PIN	1
13	20000-41320	*SNAP RING	2
14	37019-41230	*NEEDLE BEARING	1
15	37019-41240	*THRUST WASHER	2
2	20024-42001	CRANKSHAFT ASSEMBLY	1
3	72575-98031	CLUTCH SHOE ASSEMBLY	1
4	72575-98040	*CLUTCH SHOE SUB ASSEMBLY	1
5	72575-98050	**CLUTCH SHOE	2
6	72575-98060	**SPRING	1
7	72575-98071	*CLUTCH BOLT	2
8	20087-51231	*SPRING PLATE	2
9	22100-71430	*WASHER	2

**ROTOR**

ILLUSTRATION 4 - REV 11/04

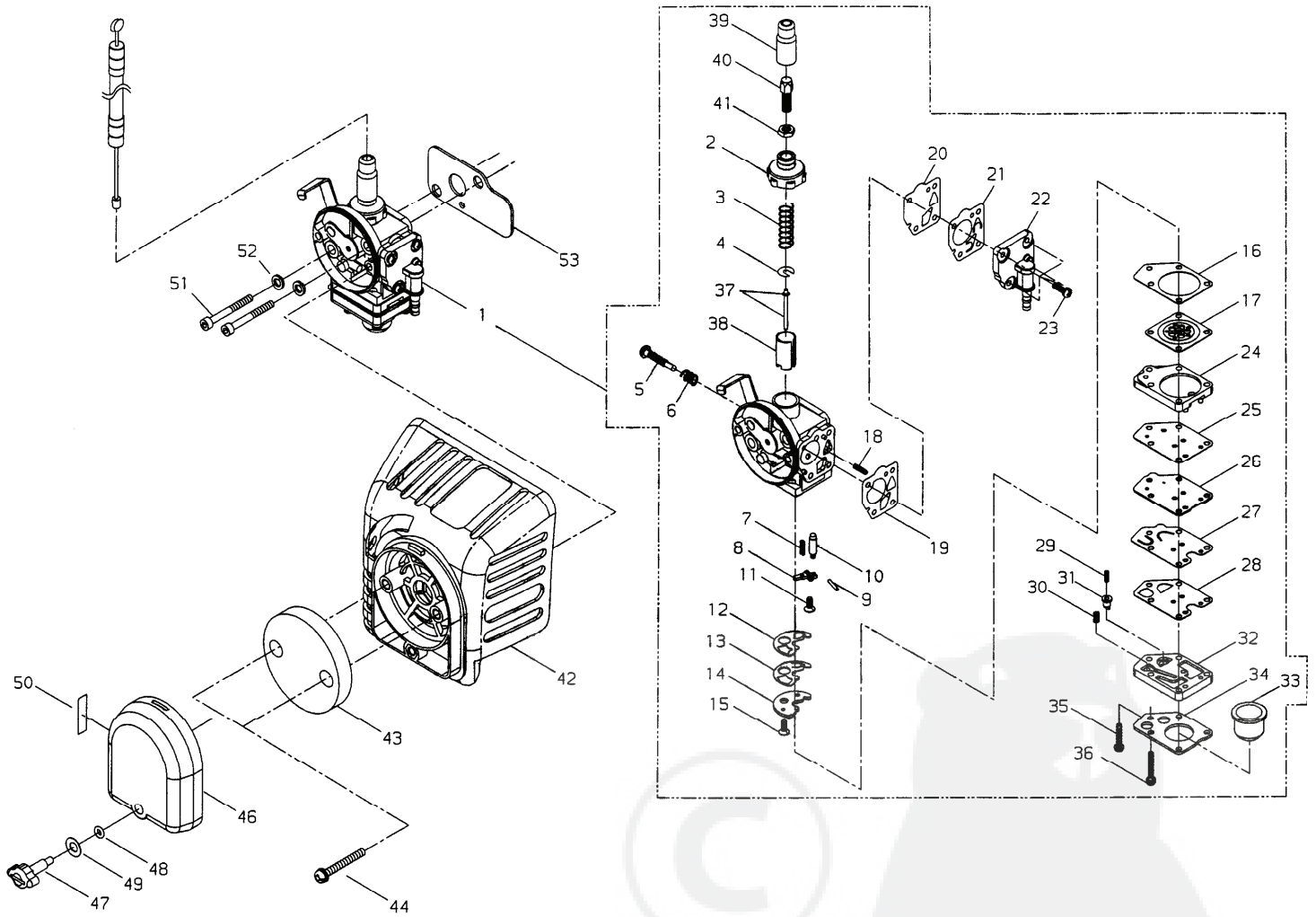


Ref. No	Part No.	Part Name	Q'ty
4-1	20024-71201	ROTOR	1
2	02403-03100	KEY	1
3	20035-71220	NUT	1
4	20024-71610	COIL	1
5	70030-71620	INSULATOR	2
6	20024-72112	TUBE	1
7	70168-71660	TUBE	1
9	20010-72221	PLUG CAP	1
10	20000-72241	PLUG CAP COVER	1
11	20000-72250	COVER BAND	1
12	70180-72260	SHIELD	1
13	20000-72230	SPRING SPARKPLUG	1
14	13000-13506	SPARKPLUG BPMR6A	1
15	70102-74130	CORD	1
16	01020-04300	BOLT	2
17	01600-04101	SPRING WASHER	2
18	01613-04080	WASHER	2

\* Denotes item is part of an assembly \*\* Denotes item is part of a sub-assembly

## CARBURETOR / CLEANER BODY

ILLUSTRATION 6 - REV 11/04



## CARBURETOR / CLEANER BODY

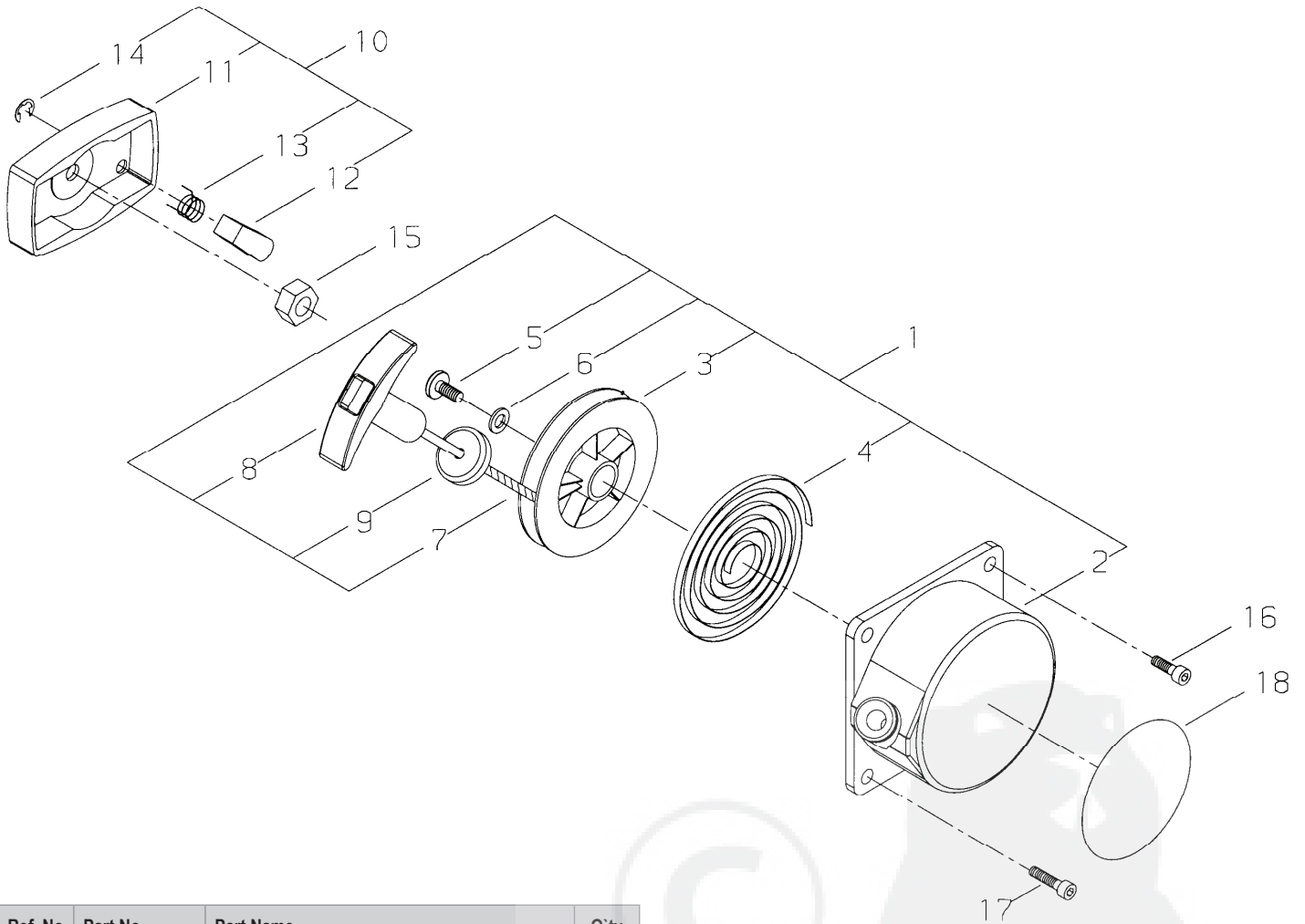
ILLUSTRATION 6 - REV 11/04

Ref. No	Part No.	Part Name	Q'ty
6-1	70170-81020	CARBURETOR SUB ASSEMBLY	1
2	72920-81120	*BODY CAP	1
3	20011-81140	*SPRING	1
4	20000-81150	*SPRING RECEIVE	1
5	20000-81310	*SLOW STOP SCREW	1
6	72920-81820	*SPRING	1
7	20087-81480	*SPRING	1
8	20019-81450	*CONTROL LEVER	1
9	20011-81460	*PIN	1
10	20000-81441	*NEEDLE VALVE	1
11	20011-81470	*SCREW	1
12	20087-81420	*PACKING	1
13	20087-81411	*CHECK VALVE	1
14	20087-81430	*PLATE	1
15	20011-81470	*SCREW	1
16	20087-81510	*GASKET	1
17	20087-81520	*DIAPHRAGM	1
18	20011-81680	*SPRING	1
19	20011-81630	*GASKET	1
20	20011-81621	*DIAPHRAGM	1
21	20087-81660	*PUMP VALVE	1
22	20087-81640	*PUMP BODY	1
23	20000-81650	*SCREW	1
24	20087-81531	*COVER SUB ASSEMBLY	1
25	20087-81890	*PACKING	1
26	20087-81540	*GASKET	1

Ref. No	Part No.	Part Name	Q'ty
27	20087-81560	*PLATE	1
28	20087-81571	*CHECK VALVE	1
29	20087-81851	*SPRING	1
30	20087-81870	*SPRING	1
31	20087-81861	*VALVE	1
32	20087-81811	*PUMP BASE	1
33	20087-81820	*PUMP	1
34	20087-81830	*PLATE	1
35	20087-81840	*SCREW	1
36	20087-81880	*SCREW	4
37	70170-81170	*JET NEEDLE	1
38	70170-81180	*THROTTLE VALVE	1
39	72920-81130	*ADJUSTER CAP	1
40	72920-81140	*CABLE ADJUSTER	1
41	20000-81260	*LOCKNUT	1
42	70102-81710	CLEANER BODY	1
43	20056-81740	FILTER	1
44	11207-04250	SCREW PM SLPW	2
46	20024-81770	CLEANER COVER	1
47	20115-81780	KNOB CLEANER COVER	1
48	22100-82430	O-RING	1
49	20024-81790	CONE WASHER	1
50	19404-00008	LABEL CHOKE	1
51	01020-05650	BOLT	2
52	01600-05131	SPRING WASHER	2
53	70244-83410	GASKET CARBURETOR	1

## RECOIL STARTER / STARTER PULLEY

ILLUSTRATION 5 - REV 11/04

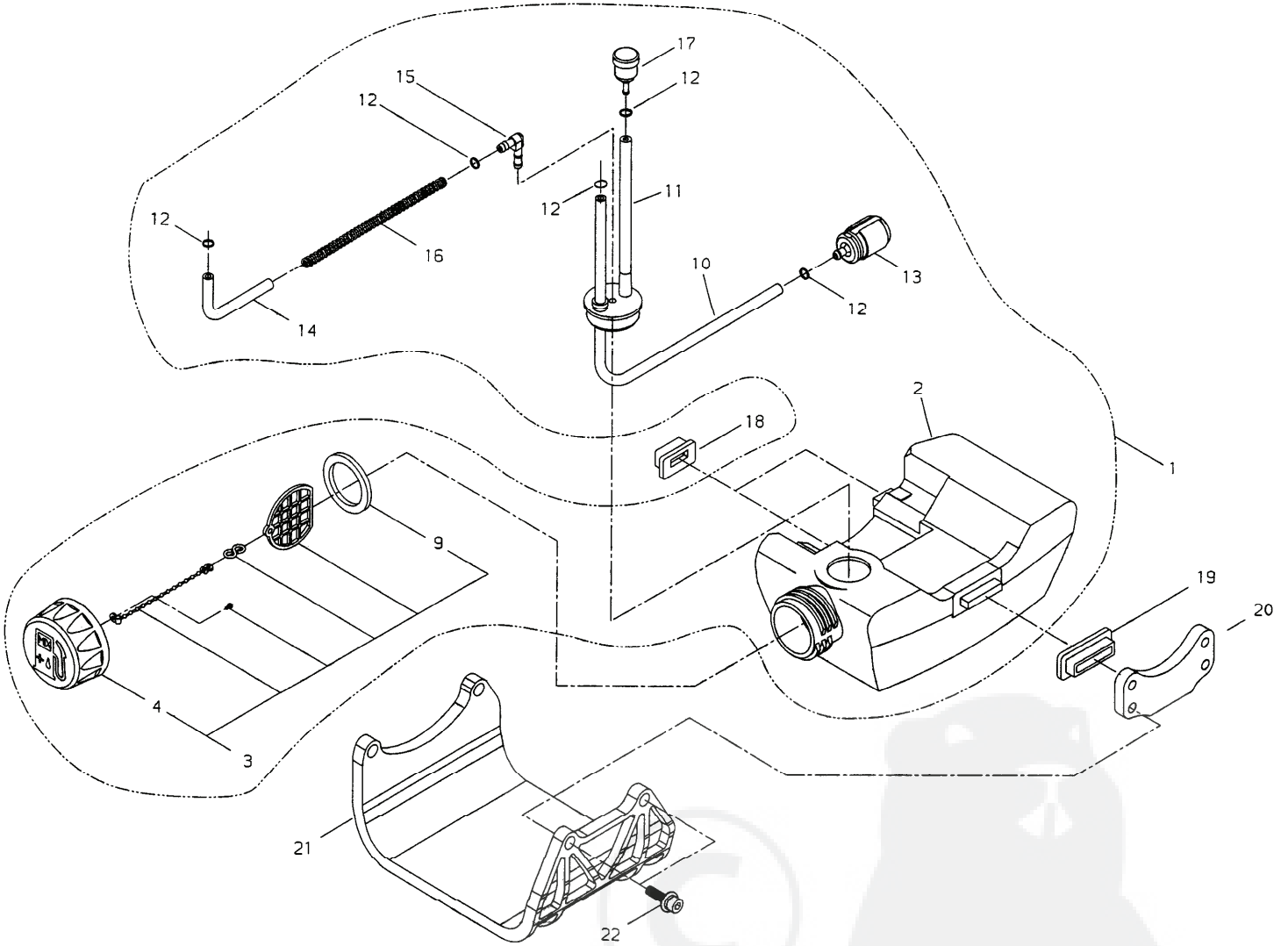


Ref. No	Part No.	Part Name	Q'ty
5-1	70102-75101	RECOIL STARTER SUB ASSEMBLY	1
2	70102-75111	*STARTER CASE	1
3	20024-75120	*REEL	1
4	20024-75130	*RECOIL SPRING	1
5	20035-75170	*SCREW	1
6	20024-75140	*WASHER	1
7	20024-75160	*ROPE	1
8	20024-75190	*STARTER KNOB	1
9	20024-75180	*DAMPER	1
10	20024-75200	STARTER PULLEY SUB ASSEMBLY	1
11	20024-75210	*STARTER PULLEY	1
12	20024-75220	*RATCHET	1
13	20024-75230	*RETURN SPRING	1
14	20035-43230	*NUT	1
15	20035-43230	NUT	1
16	11022-05160	BOLT SPW	2
17	11022-05250	BOLT SPW	2
18	70005-75240	NAMEPLATE	1



FUEL TANK

ILLUSTRATION 7 - REV 11/04



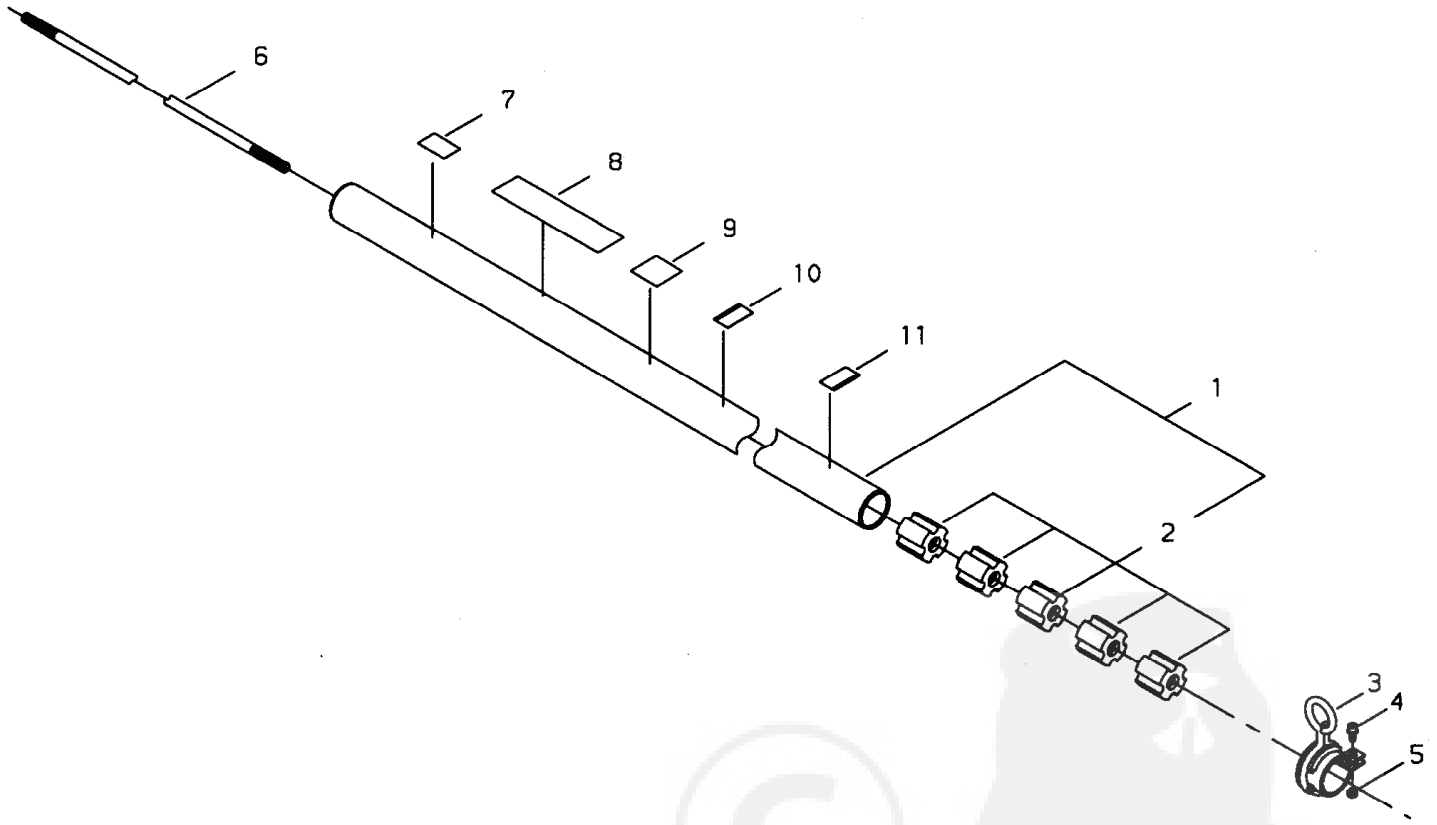
Ref. No	Part No.	Part Name	Q'ty
7-1	70168-85001	FUEL TANK ASSEMBLY	1
2	70244-85110	*FUEL TANK	1
3	70168-85201	*FUEL CAP ASSEMBLY	1
4	70168-85210	**FUEL CAP	1
9	20000-85221	**GASKET	1
10	70170-85310	**FUEL PIPE	1
11	20089-85350	*GROMMET	1
12	20020-85540	*CLIP	5
13	22115-85401	*FUEL FILTER SUB ASSEMBLY	1

Ref. No	Part No.	Part Name	Q'ty
14	70170-83311	*PIPE	1
15	20087-85340	*JOINT	1
16	20019-83320	*SPRING	1
17	22197-33960	*VALVE	1
18	20024-86120	TANK CUSHION	2
19	20024-86130	TANK CUSHION	1
20	62074-85210	TANK BRACKET	1
21	62074-85310	TANK GUARD	1
22	11022-05200	BOLT SPW	2

\* Denotes item is part of an assembly \*\* Denotes item is part of a sub-assembly

## OUTER PIPE

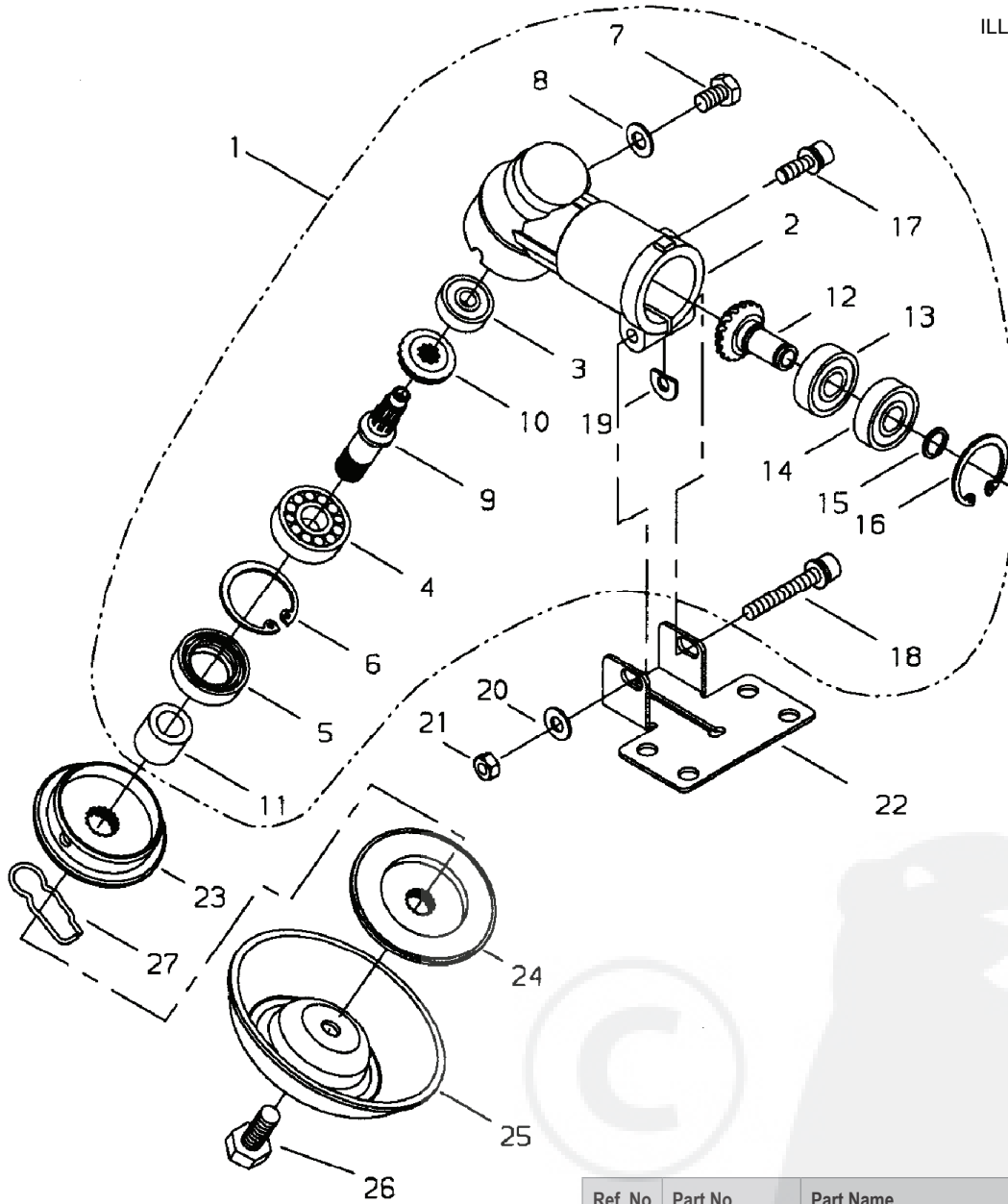
ILLUSTRATION 8 - REV 11/04



Ref. No	Part No.	Part Name	Q'ty
8-1	22024-12102	OUTER PIPE SUB ASSEMBLY	1
2	22024-12120	*BUSH	5
3	22009-12210	HANGER	1
4	11022-05120	BOLT SPW	1
5	01500-05041	NUT	1
6	22000-12413	MAINSHAFT	1
7	19402-00223	LABEL CAUTION	1
8	19422-00010	LABEL CAUTION	1
9	19404-00038	LABEL DECIBEL	1
10	72017-12150	HANDLE LABEL	1
11	72005-12140	CAUTION PLATE	1

GEAR CASE

ILLUSTRATION 9 - REV 11/04



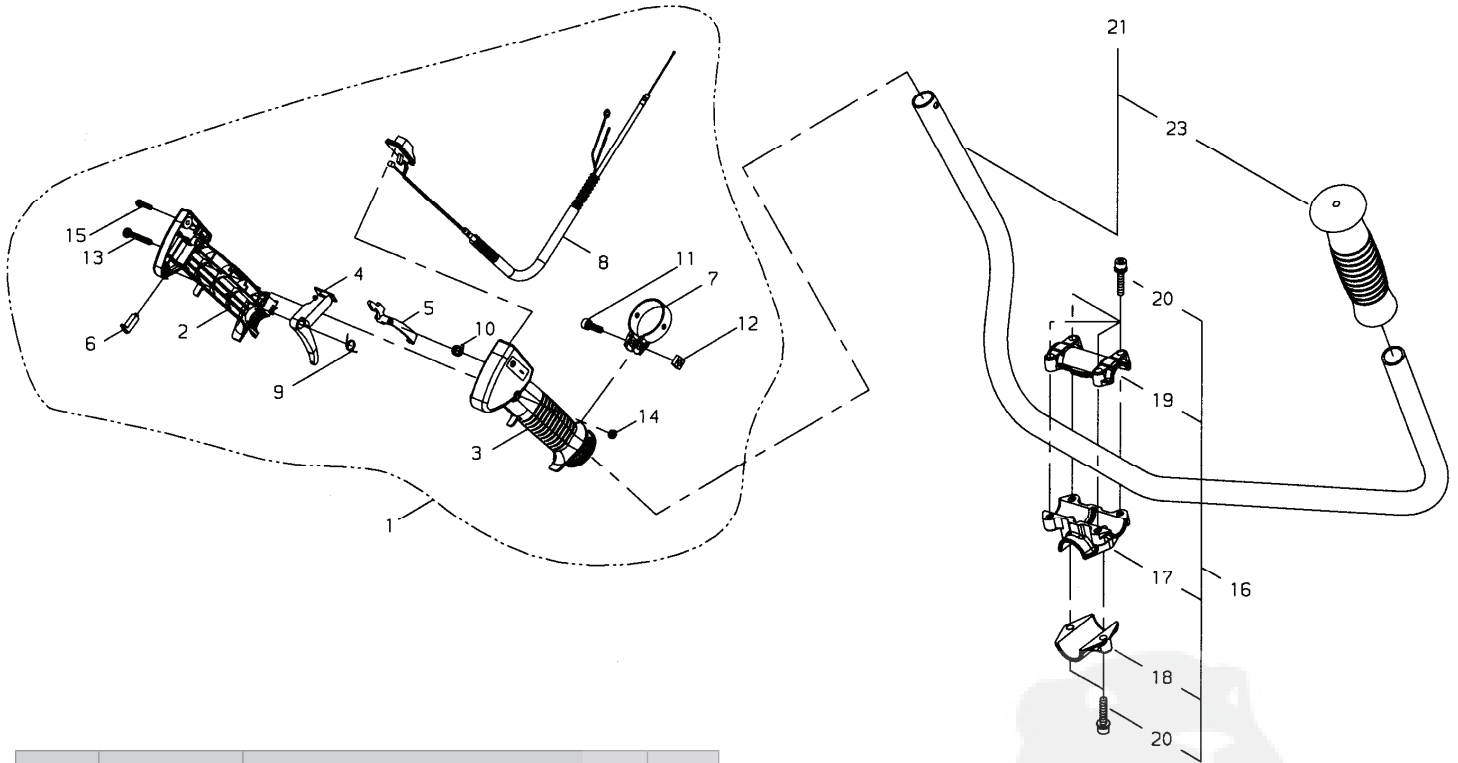
Ref. No	Part No.	Part Name	Q'ty
9-1	63000-63020	GEAR CASE COMP	1
2	22024-13112	*GEAR CASE	1
3	02046-00609	*BEARING	1
4	02000-06201	*BEARING	1
5	22024-13121	*OIL SEAL	1
6	02432-32120	*SNAP RING	1
7	22015-13410	*BOLT	1
8	22015-13420	*GASKET	1
9	72435-13210	*GEARSHAFT	1
10	22024-13220	*BEVEL GEAR	1
11	22000-13230	*COLLAR	1
12	22024-13391	*PINION SET	1

Ref. No	Part No.	Part Name	Q'ty
13	02000-06901	*BEARING	1
14	02002-06901	*BEARING	1
15	20000-31140	*SNAP RING	1
16	02432-32120	*SNAP RING	1
17	11022-05160	*BOLT SPW	1
18	11022-06400	*BOLT SPW	1
19	22011-13450	*SHIM	1
20	01500-06051	NUT	1
21	01613-06100	WASHER	1
22	72441-16130	LOWER CLAMP	1
23	22024-13912	HOLDER A	1
24	63000-63170	HOLDER	1
25	72444-13290	STABILIZER	1
26	22000-13512	BOLT	1
27	22000-13530	SLIDE PIN	1

\* Denotes item is part of an assembly \*\* Denotes item is part of a sub-assembly

## THROTTLE LEVER / HANDLE

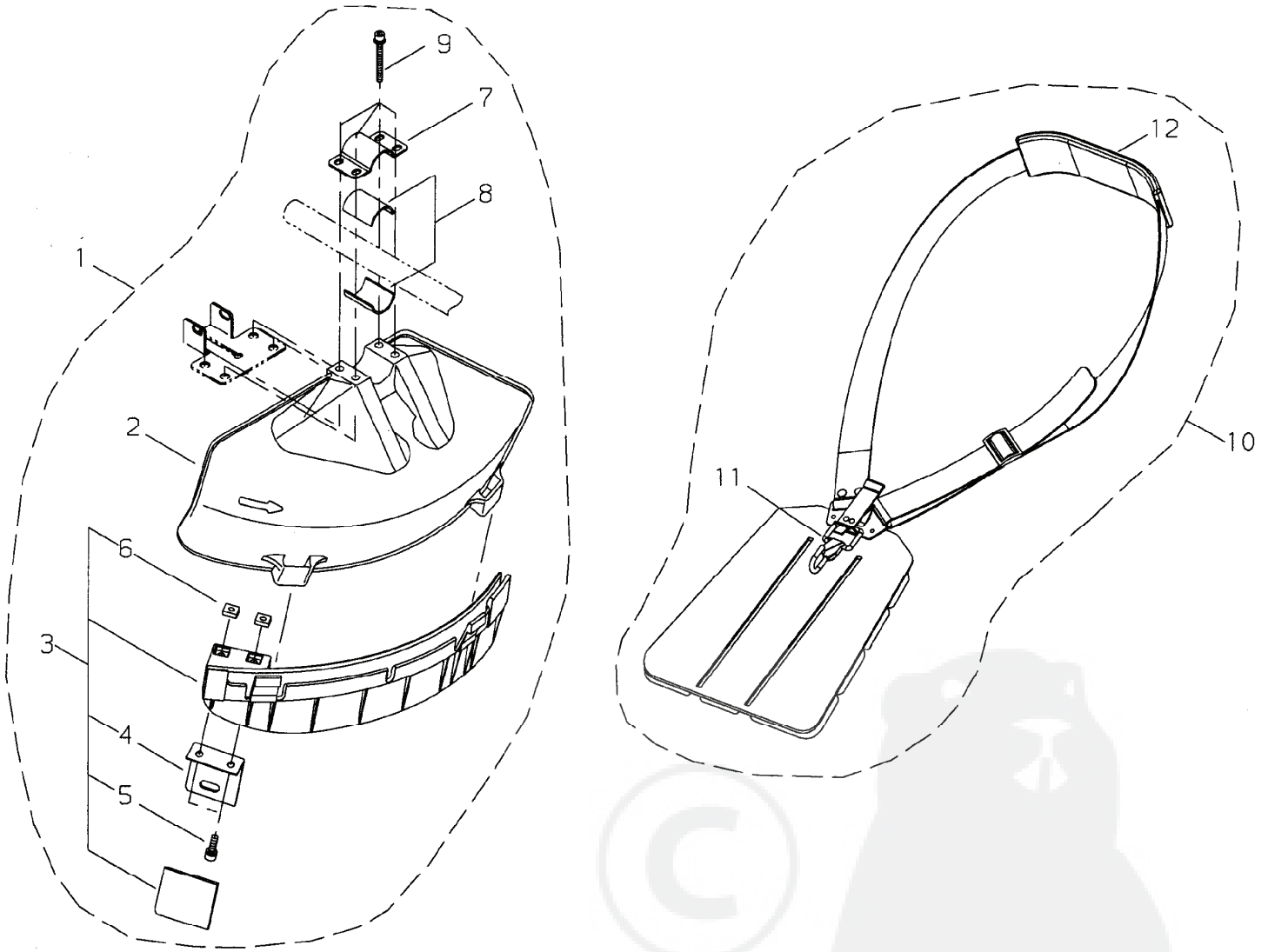
ILLUSTRATION 10 - REV 11/04



Ref. No	Part No.	Part Name	Q'ty
10- 1	62098-64250	THROTTLE LEVER ASSEMBLY	1
2	72431-14510	*BODY RIGHT	1
3	72431-14520	*BODY LEFT	1
4	72451-14530	*LEVER	1
5	72451-14540	*LOCK LEVER	1
6	72451-14550	*BUTTON	1
7	72451-14560	*CLAMP	1
8	62098-64310	*THROTTLE CABLE COMP	1
9	72451-14580	*RETURN SPRING	1
10	72451-14590	*SPRING	1
11	01020-06200	*BOLT	1
12	72451-14610	*NUT	1
13	11203-05350	*SCREW PM	1
14	72451-14630	*NUT	1
15	72451-14620	*SCREW TAPPING	1
21	72529-14200	HANDLE SUB ASSEMBLY	1
23	22421-14230	*GRIP	1
16	34000-64020	BRACKET ASSEMBLY	1
17	34000-64110	*BRACKET	1
18	34000-64120	*LOWER CAP	1
19	34004-64130	*UPPER CAP	1
20	11022-05250	*BOLT SPW	6

**GUARD SET / STRAP**

ILLUSTRATION 11 - REV 11/04

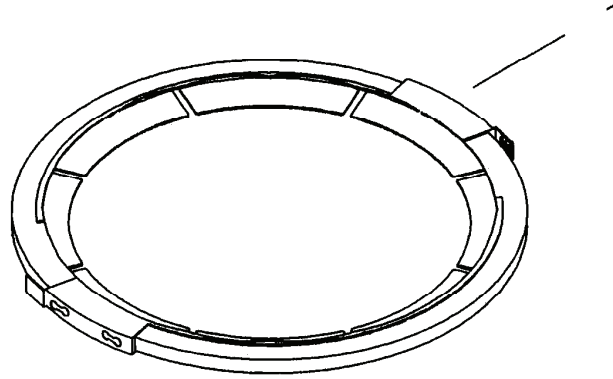


Ref. No	Part No.	Part Name	Q'ty
11- 1	62903-66321	GUARD SET	1
2	62903-66110	*GUARD	1
3	62903-66331	*SUB GUARD ASSEMBLY	1
4	72480-16121	**CUTTER	1
5	11020-05160	**BOLT SW	2
6	22420-16120	**NUT	2
7	72480-16210	*UPPER CLAMP	1
8	72480-16220	*SPACER	2
9	11022-05450	*BOLT SPW	4
10	72474-17201	STRAP ASSEMBLY	1
11	22421-17130	*HOOK	1
12	22007-17220	*PROTECTOR	1

\* Denotes item is part of an assembly \*\* Denotes item is part of a sub-assembly

## BLADE COVER

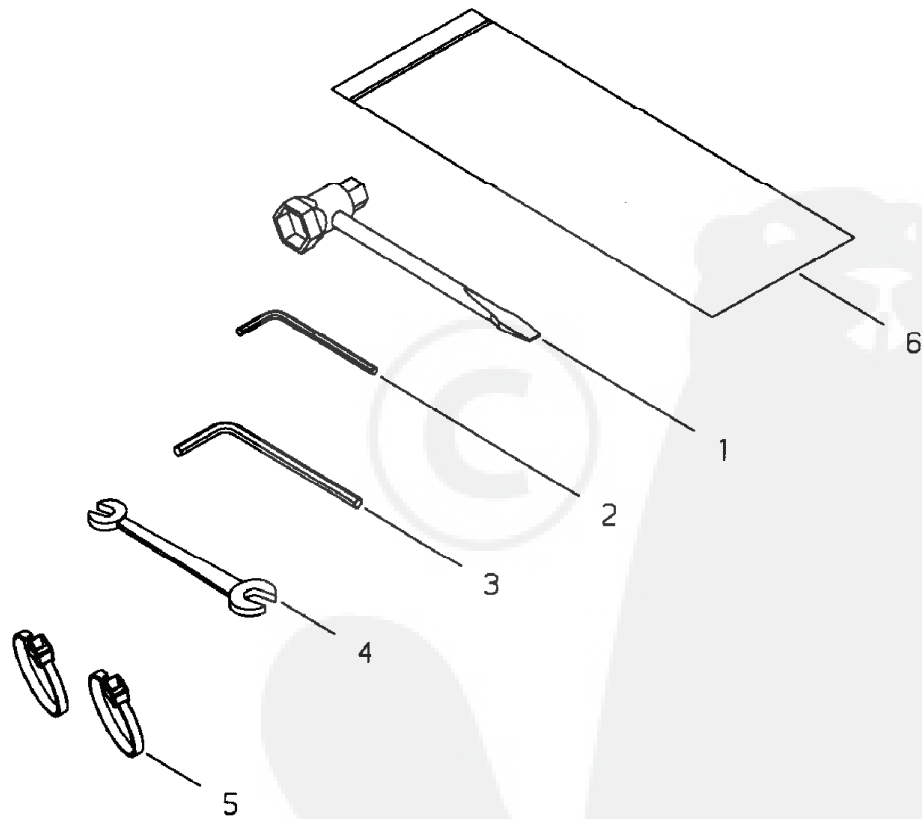
ILLUSTRATION 13 - REV 11/04



Ref. No	Part No.	Part Name	Q'ty
13- 1	22550-92310	BLADE COVER	1

## TOOL SET

ILLUSTRATION 12 - REV 11/04



Ref. No	Part No.	Part Name	Q'ty
12- 1	22000-91181	PLUG WRENCH	1
2	09026-04001	HEXA WRENCH	1
3	09026-05001	HEXA WRENCH	1
4	22000-91120	SPANNER	1
5	72431-12190	BAND	2
6	19639-01400	TOOLBAG	1





**shindaiwa**

[www.shindaiwa.com](http://www.shindaiwa.com)

11975 SW Herman Road, Tualatin, Oregon 97062, U.S.A.

1 + 503.692.3070 • fax 1 + 503.692.6696 •

Item #xxxx Effective 11/04