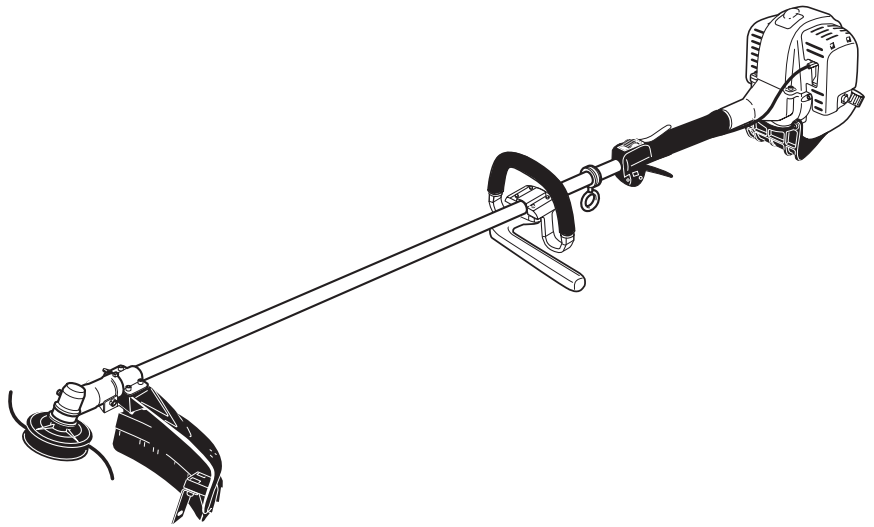


®

shindaiwa

Illustrated Parts List

C3410 Brushcutter



European Emission Standards Compliant

CYLINDER / MUFFLER	2
REED VALVE / FAN COVER / CYLINDER COVER	3
PISTON / CLUTCH SHOE / CAM GEAR / ROCKER ARM	4
ROTOR / COIL ASSEMBLY	5
CARBURETOR	6
CLEANER ASSY BEFORE S/N 7032961	7
CLEANER ASSY AFTER S/N 7032961	7
RECOIL STARTER	8
FUEL TANK	9
OUTER PIPE	10
THROTTLE LEVER	11
HANDLE / BRACKET	12
GEARCASE	13
CUTTER / GUARD SET	14
SAWS / TRIMMER HEAD / SHAFT COVER	15
PLIERS	16
BLADE COVER / HARNESS	16
TOOL SET	17

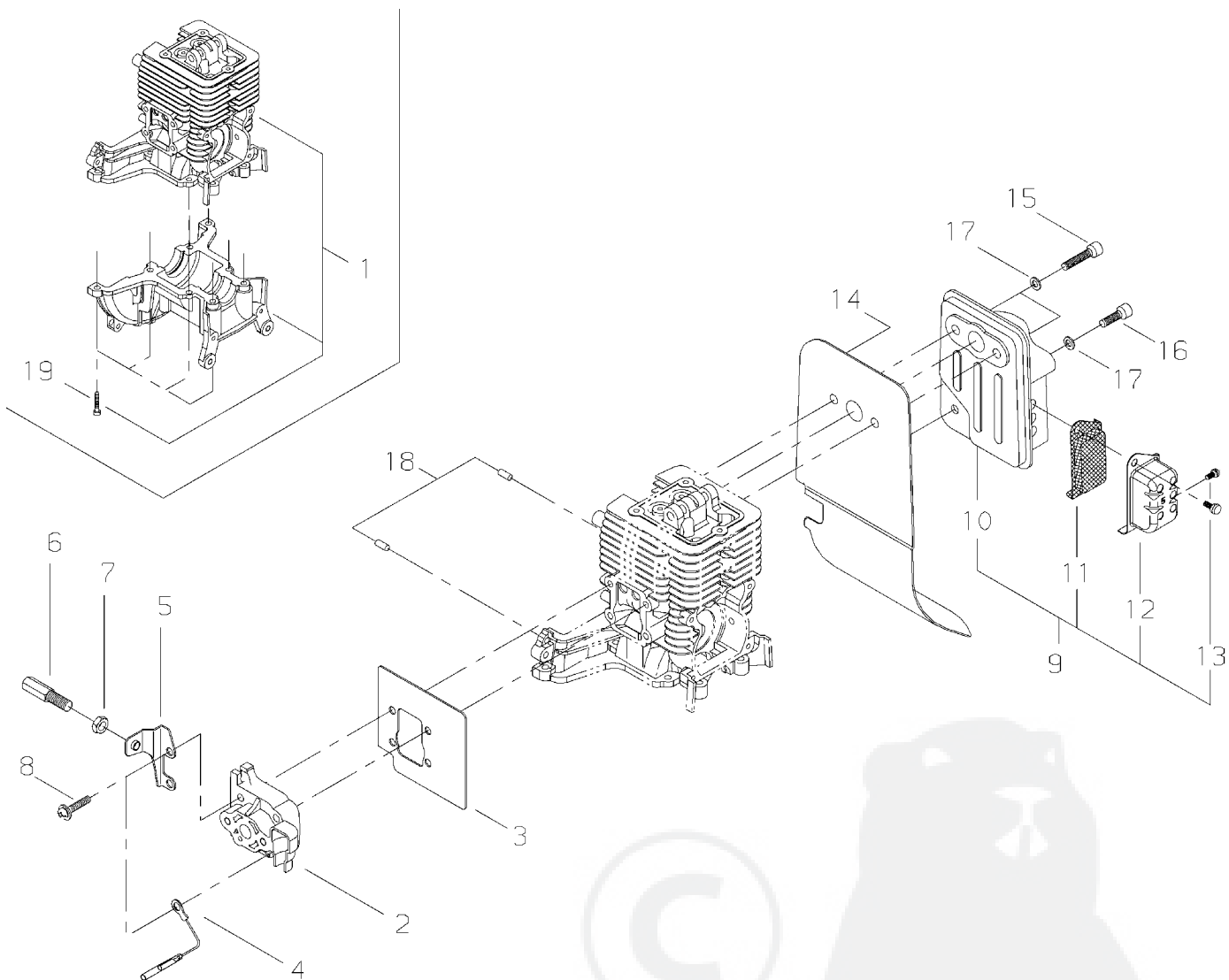
shindaiwa®

www.shindaiwa.com

Part Number C3410EC2_IPL_xxxx_02JP Effective 07/07

CYLINDER / MUFFLER

ILLUSTRATION 1 - REV 10/05

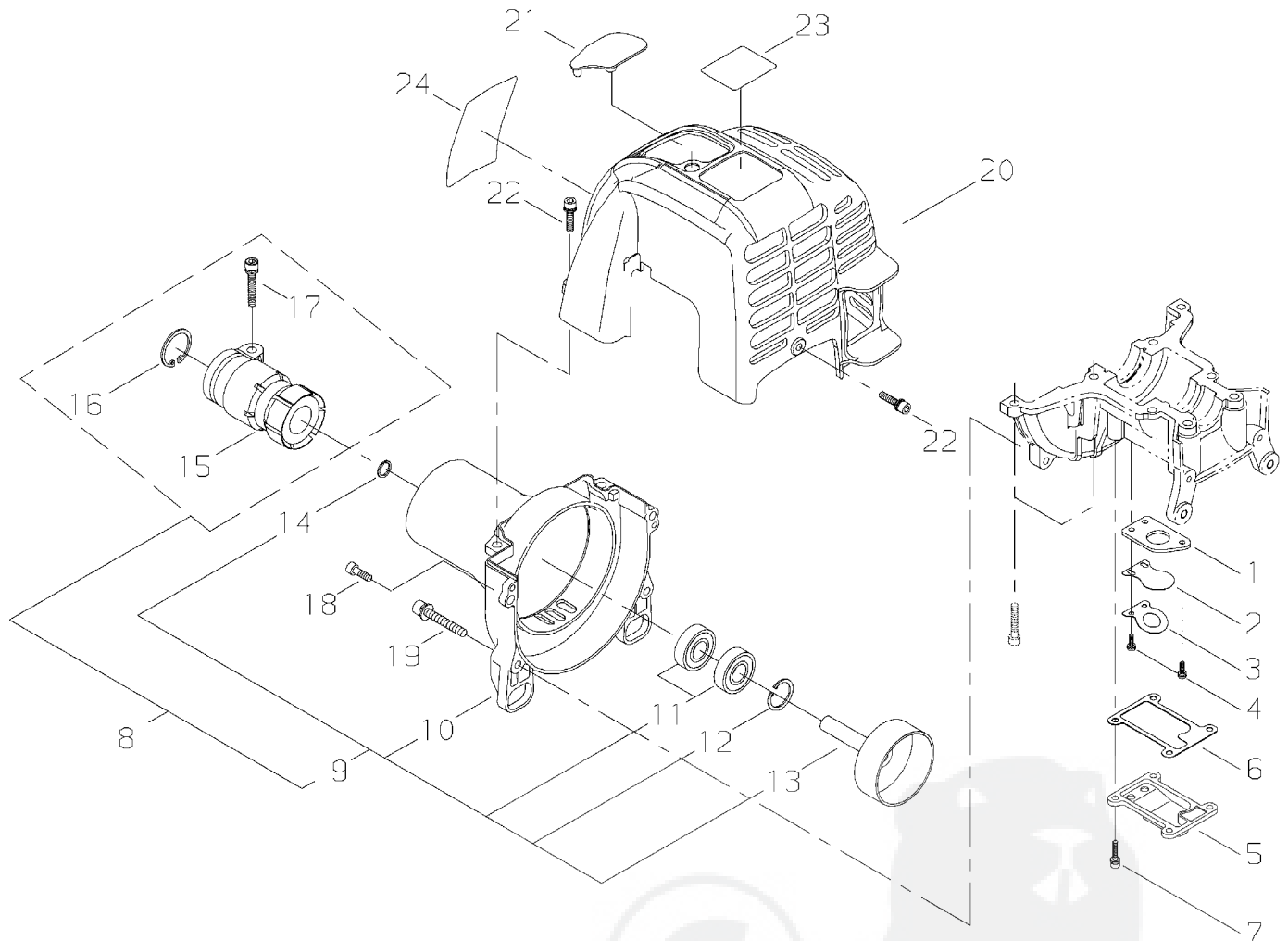


Ref. No	Part No.	Part Name	Q'ty
1-1	60907-98330	CYLINDER BLOCKSET	1
19	01020-05160	*BOLT	8
2	62907-12311	LEAD VALVE	1
3	62907-12220	GASKET	1
4	14350-01101	LEAD WIRE	1
5	62901-83310	BRACKET THROTTLE CABLE	1
6	62902-83310	CABLE ADJUSTER	1
7	01501-06048	NUT	1
8	11206-05255	SCREW PMSPW	4

Ref. No	Part No.	Part Name	Q'ty
9	62907-15011	MUFFLER ASSEMBLY	1
10	62907-15111	*MUFFLER	1
11	62902-15131	*SCREEN	1
12	62907-15161	*TAIL PLATE	1
13	11204-04060	*SCREW PM	2
14	62901-15210	GASKET MUFFLER	1
15	62901-15310	BOLT	2
16	01020-05160	BOLT	1
17	01610-05080	WASHER	3
18	12492-40080	ROLLER	2

REED VALVE / FAN COVER / CYLINDER COVER

ILLUSTRATION 2 - REV 10/05



Ref. No	Part No.	Part Name	Q'ty
2-1	62901-21320	INSULATOR	1
2	72320-83121	VALVE	1
3	72320-83132	STOPPER	1
4	01211-03100	SCREW SW	3
5	62901-21120	COVER	1
6	62901-21130	GASKET	1
7	11022-04140	BOLT SPW	4
8	60907-98351	FAN COVER ASSEMBLY	1
9	62907-31011	*FAN COVER COMP	1
10	62907-31110	**FAN COVER	1
11	02036-06001	**BEARING	2
12	02432-28120	**SNAP RING	1

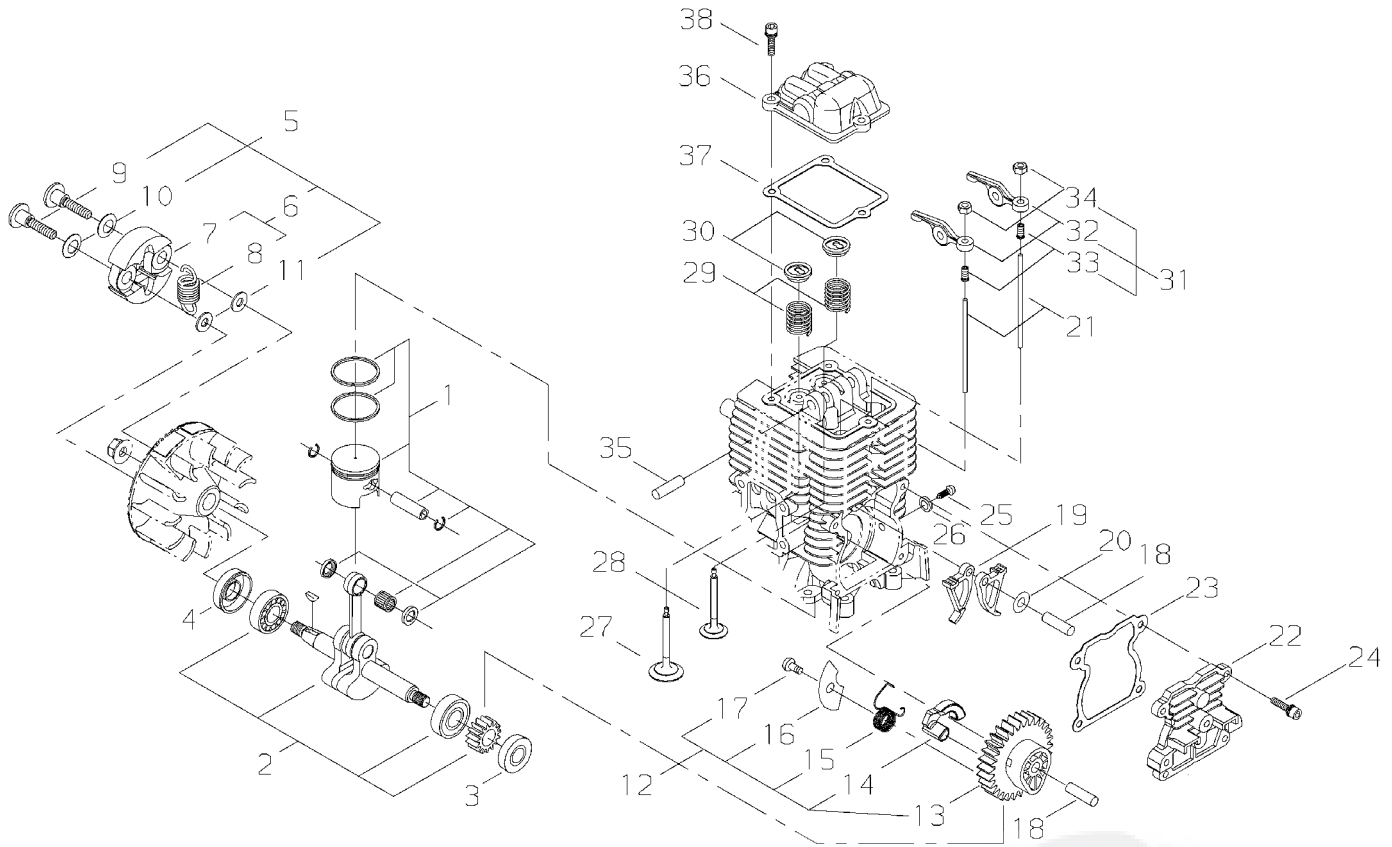
Ref. No	Part No.	Part Name	Q'ty
13	62907-31211	**CLUTCH DRUM	1
14	20000-31140	**SNAP RING	1
15	62907-33110	*JOINT	1
16	02432-42170	*SNAP RING	1
17	11020-05220	*BOLT SW	1
18	01020-05160	BOLT	2
19	11022-05400	BOLT SW	2
20	62907-32110	CYLINDER COVER	1
21	62901-32312	GROMMET	1
22	11022-04140	BOLT SPW	3
23	62914-91320	LABEL TRADE	1
24	19420-00071	LABEL TRADE	1

* Denotes item is part of an assembly

** Denotes item is part of a sub-assembly

PISTON / CLUTCH SHOE / CAM GEAR / ROCKER ARM

ILLUSTRATION 3 - REV 10/05



Ref. No	Part No.	Part Name	Q'ty
3-1	62907-41310	PISTON SET	1
2	62907-42021	CRANKSHAFT COMP	1
3	62901-42260	OIL SEAL	1
4	62907-42270	OIL SEAL	1
5	72575-98031	CLUTCH SHOE ASSEMBLY	1
6	72575-98040	*CLUTCH SHOE SUB ASSEMBLY	1
7	72575-98050	**CLUTCH SHOE	2
8	72575-98060	**SPRING	1
9	72575-98071	*CLUTCH BOLT	2
10	20087-51231	*SPRING PLATE	2
11	22100-71430	*WASHER	2
12	62905-43010	CAM GEAR ASSEMBLY	1
13	62902-43310	*CAM GEAR	1
14	62907-43120	*WEIGHT	1
15	17520-08900	*COIL SPRING	1
16	62905-43130	*PLATE	1
17	01280-04062	*SCREW TAPPING	1
18	12492-50290	ROLLER	2
19	62907-43210	LIFTER	2

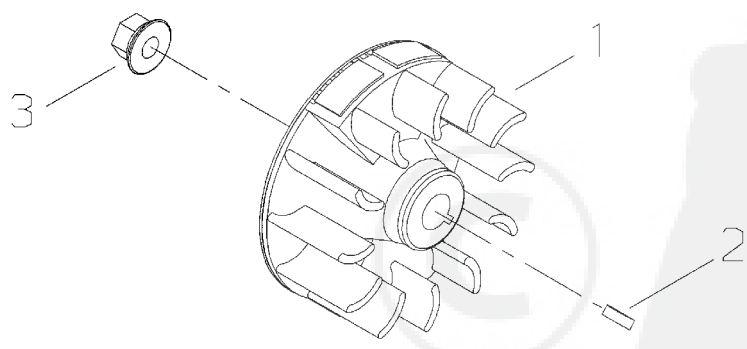
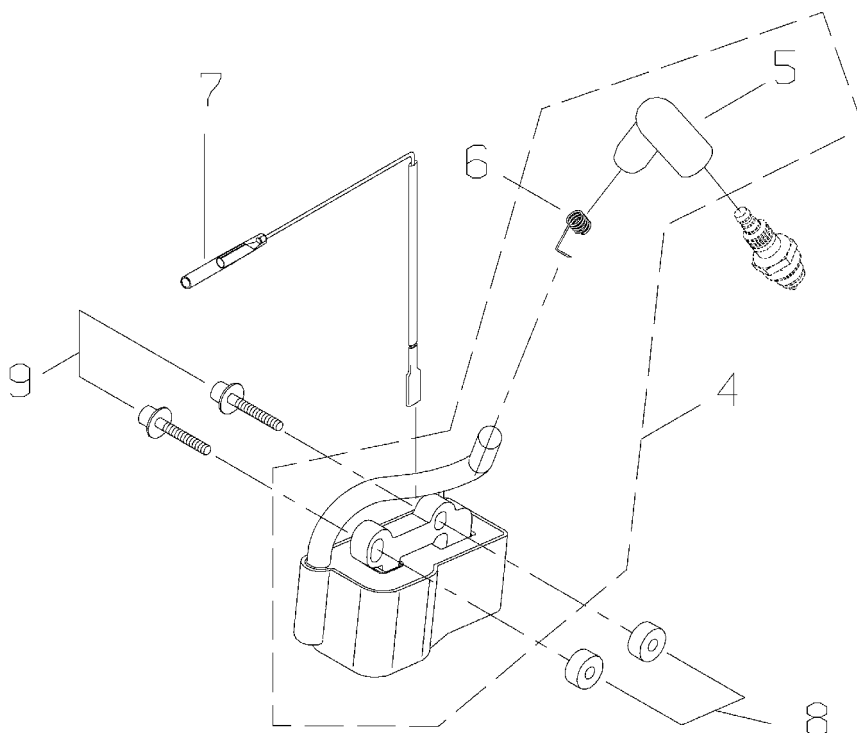
Ref. No	Part No.	Part Name	Q'ty
20	11620-10000	WASHER	1
21	62907-43220	PUSHROD	2
22	62907-43230	CAM GEAR COVER	1
23	62907-43240	GASKET	1
24	11022-04140	BOLT SPW	4
25	62901-43310	SCREW	1
26	15401-10028	COLLAR	1
27	62907-44110	INTAKE VALVE	1
28	62907-44120	EXHAUST VALVE	1
29	62901-44130	VALVE SPRING	2
30	62901-44140	RETAINER	2
31	62907-44010	ROCKER ARM ASSEMBLY	2
32	62901-44210	*ROCKER ARM	1
33	62907-44220	*ADJUST SCREW	1
34	62901-44231	*NUT	1
35	12492-50370	*ROLLER	1
36	62907-44240	ROCKER ARM COVER	1
37	62907-44250	GASKET	1
38	11022-04140	BOLT SPW	3

* Denotes item is part of an assembly

** Denotes item is part of a sub-assembly

ROTOR / COIL ASSEMBLY

ILLUSTRATION 4 - REV 10/05



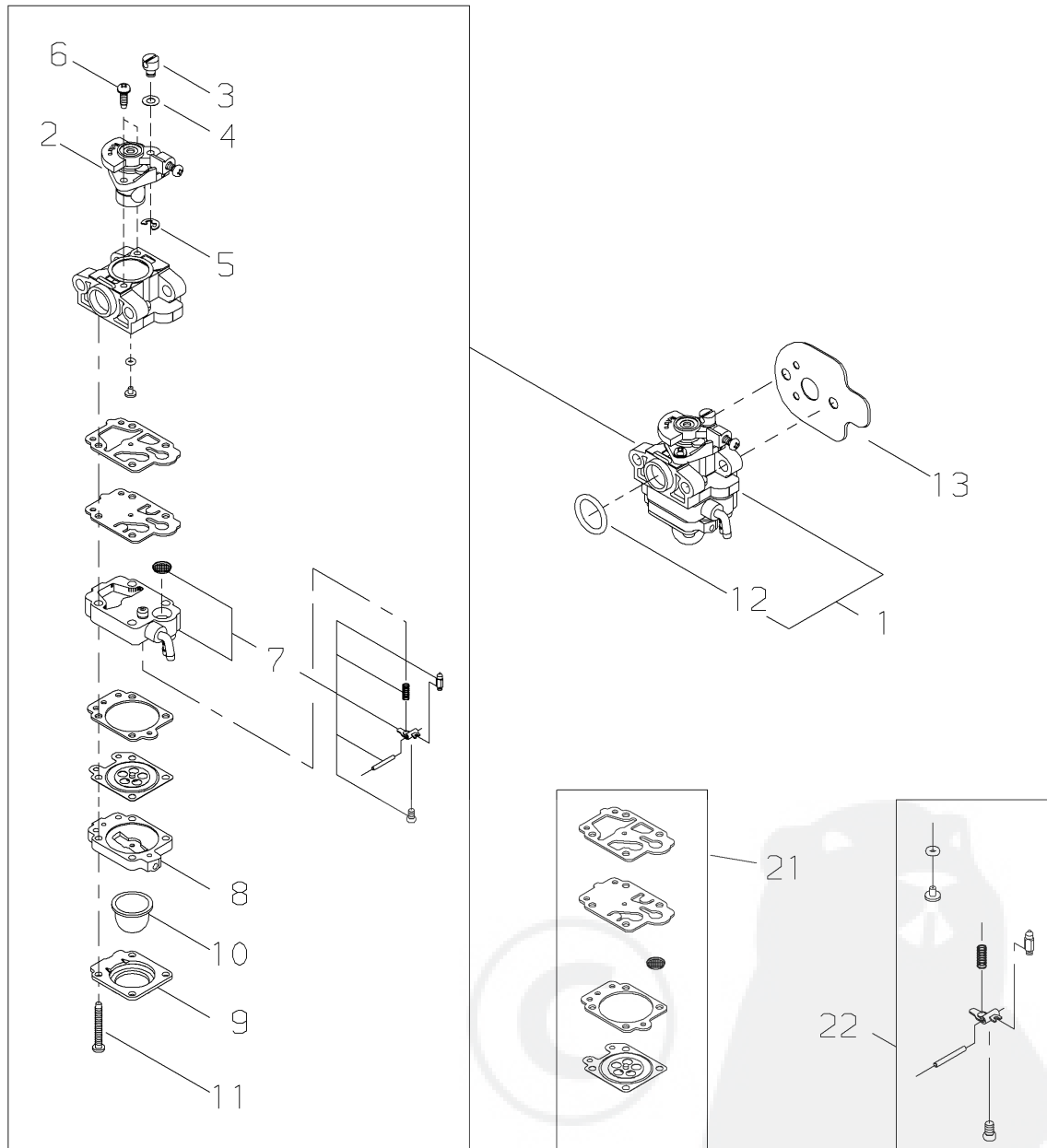
Ref. No	Part No.	Part Name	Q'ty
4-1	62907-71110	ROTOR	1
2	02403-03100	KEY	1
3	20035-71220	NUT	1
4	62907-71310	COIL ASSEMBLY	1
5	62905-71250	*PLUG CAP	1
6	62905-71320	*SPRING PLUG	1
7	14350-02200	LEAD WIRE	1
8	70030-71620	INSULATOR	2
9	11024-04265	BOLT SW	2

* Denotes item is part of an assembly

** Denotes item is part of a sub-assembly

CARBURETOR

ILLUSTRATION 6 - REV 10/05



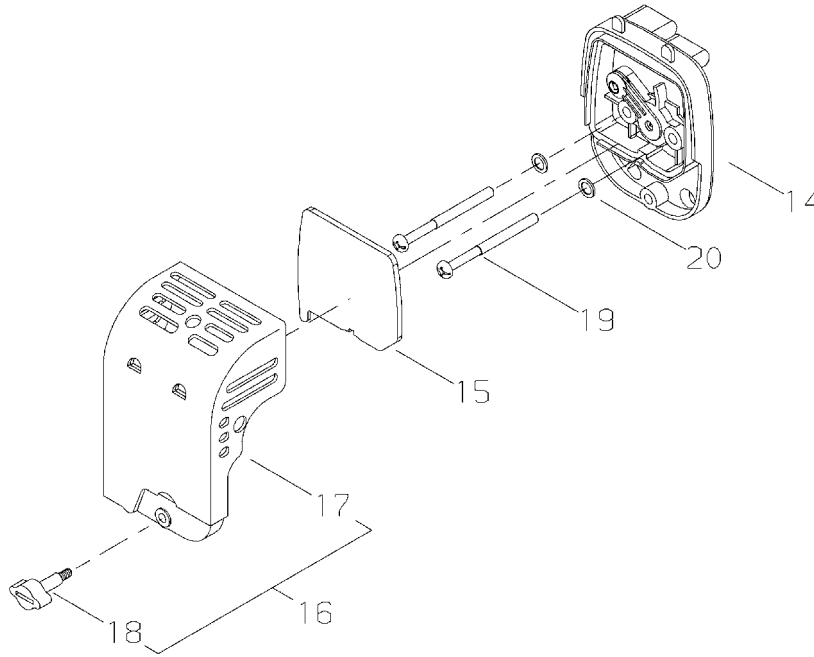
Ref. No	Part No.	Part Name	Q'ty
6-1	62907-81011	CARBURETOR ASSEMBLY	1
2	62907-81321	*VALVE	1
3	72933-81450	*SWIVEL	1
4	20089-81185	*WASHER	1
5	20036-81195	*E-RING	1
6	70064-81290	*SCREW	2
7	37013-81350	*PUMP BODY ASSEMBLY	1
8	20016-81420	*PUMP BASE COMP	1

Ref. No	Part No.	Part Name	Q'ty
9	20016-81510	*PUMP COVER	1
10	20036-81670	*PRIMER PUMP	1
11	20016-81140	*SCREW	4
12	20016-81250	*O-RING	1
13	62907-81210	GASKET	1
21	60902-98030	*GASKET SET	1
22	60907-98341	*VALVE SET	1

← BEFORE S/N 7032961

CLEANER ASSY

ILLUSTRATION 16 - REV 10/05



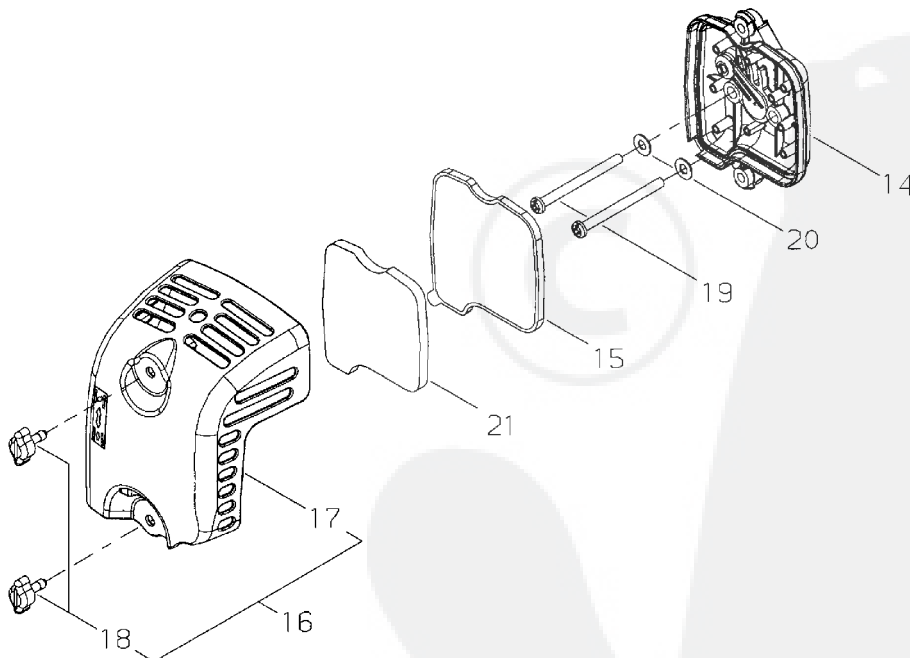
Ref. No	Part No.	Part Name	Q'ty
14	62905-82010	AIR FILTER BASE ASSEMBLY	1
15	62902-82120	FILTER	1
16	62902-82030	CLEANER COVER ASSEMBLY	1
17	62901-82131	*CLEANER COVER	1

Ref. No	Part No.	Part Name	Q'ty
18	62901-82330	*KNOB AIR FILTER COVER	1
19	11203-05605	SCREW PMSW	2
20	01613-05080	WASHER	2

S/N 7032961 → AFTER

CLEANER ASSY

ILLUSTRATION 17 - REV 7/07



Ref. No	Part No.	Part Name	Q'ty
14	62908-82010	AIR FILTER BASE ASSEMBLY	1
15	62908-82120	FILTER	1
16	62908-82030	CLEANER COVER ASSEMBLY	1
17	62908-82130	*CLEANER COVER	1

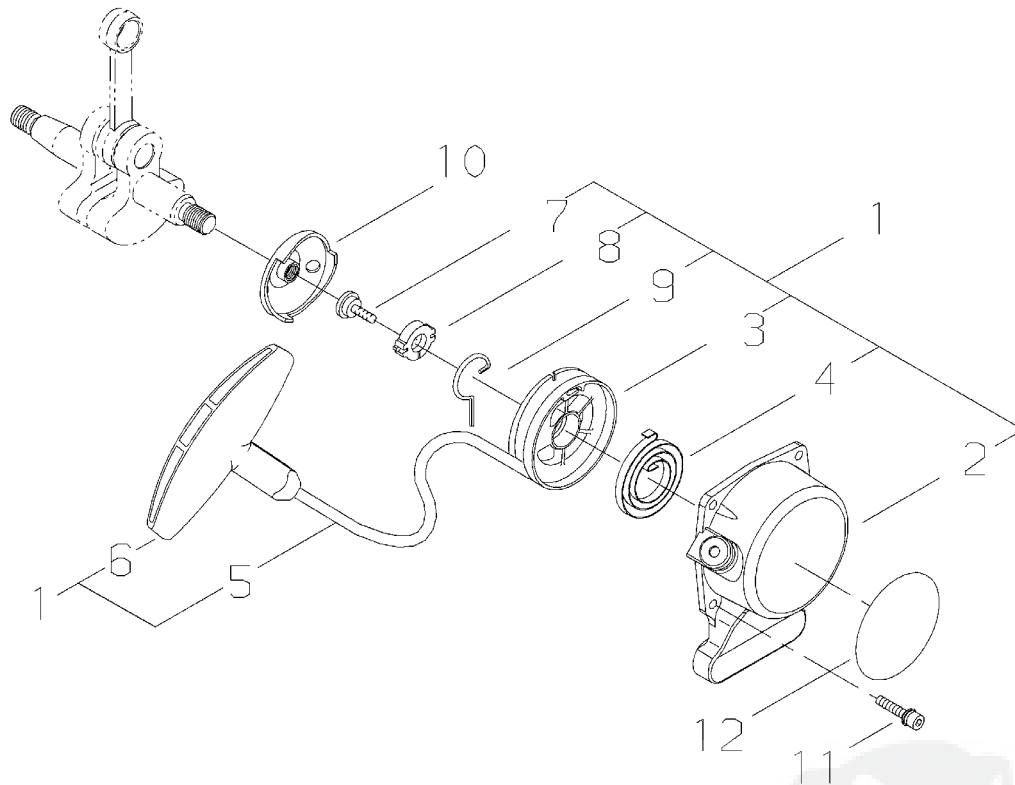
Ref. No	Part No.	Part Name	Q'ty
18	62901-82330	*KNOB AIR FILTER COVER	2
19	11203-05605	SCREW PM	2
20	01613-05080	WASHER	2
21	62908-82310	PRE-FILTER	1

* Denotes item is part of an assembly

** Denotes item is part of a sub-assembly

RECOIL STARTER

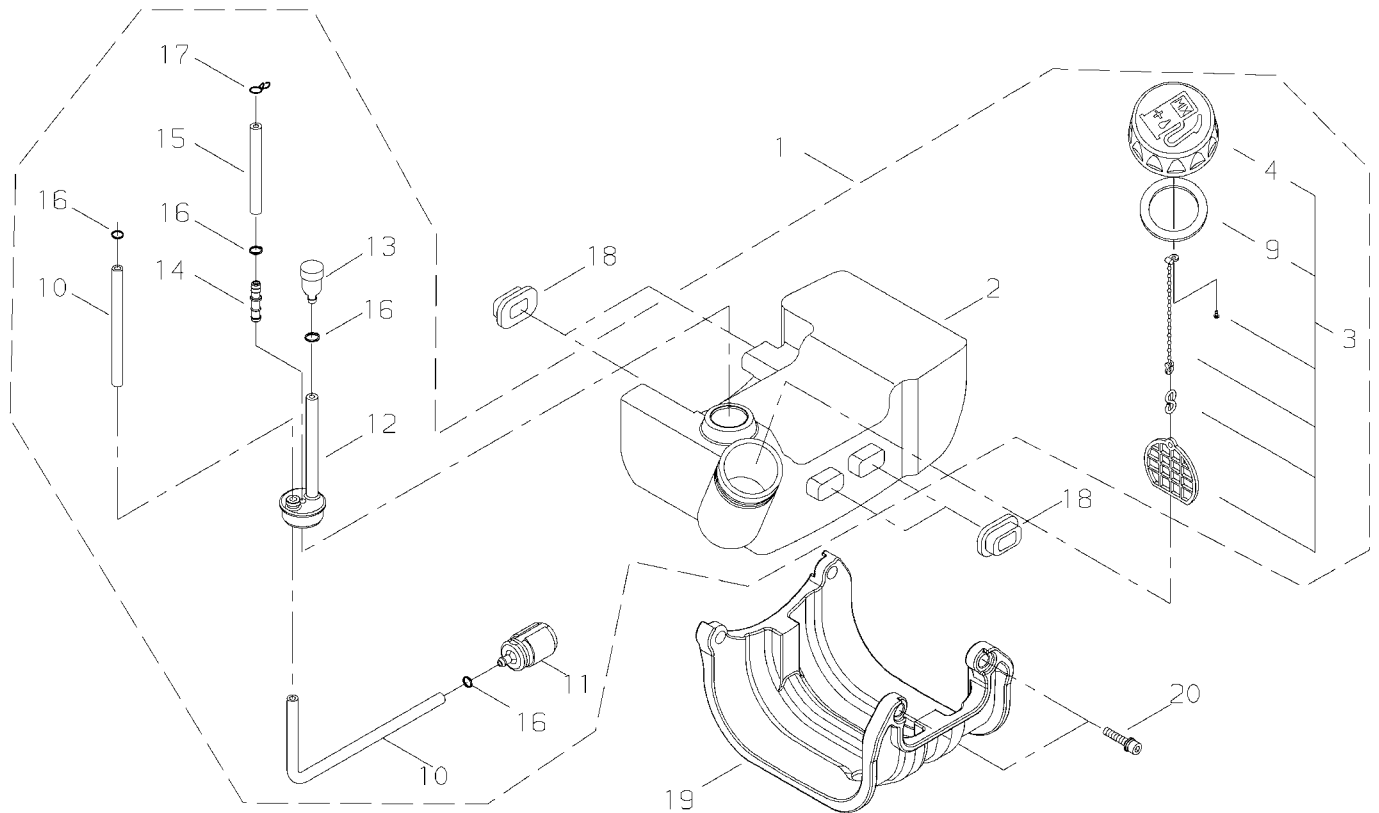
ILLUSTRATION 5 - REV 10/05



Ref. No	Part No.	Part Name	Q'ty
5-1	62907-75010	RECOIL STARTER ASSEMBLY	1
2	62907-75110	*STARTER CASE	1
3	62907-75120	*REEL	1
4	70030-75130	*RECOIL SPRING	1
5	62907-75140	*ROPE	1
6	62907-75150	*KNOB	1
7	37013-75310	*SCREW	1
8	37013-75320	*COLLAR	1
9	37013-75330	*SWING ARM	1
10	37013-75210	STARTER PULLEY	1
11	11022-04140	BOLT SPW	4
12	19420-00070	LABEL TRADE	1

* Denotes item is part of an assembly

** Denotes item is part of a sub-assembly



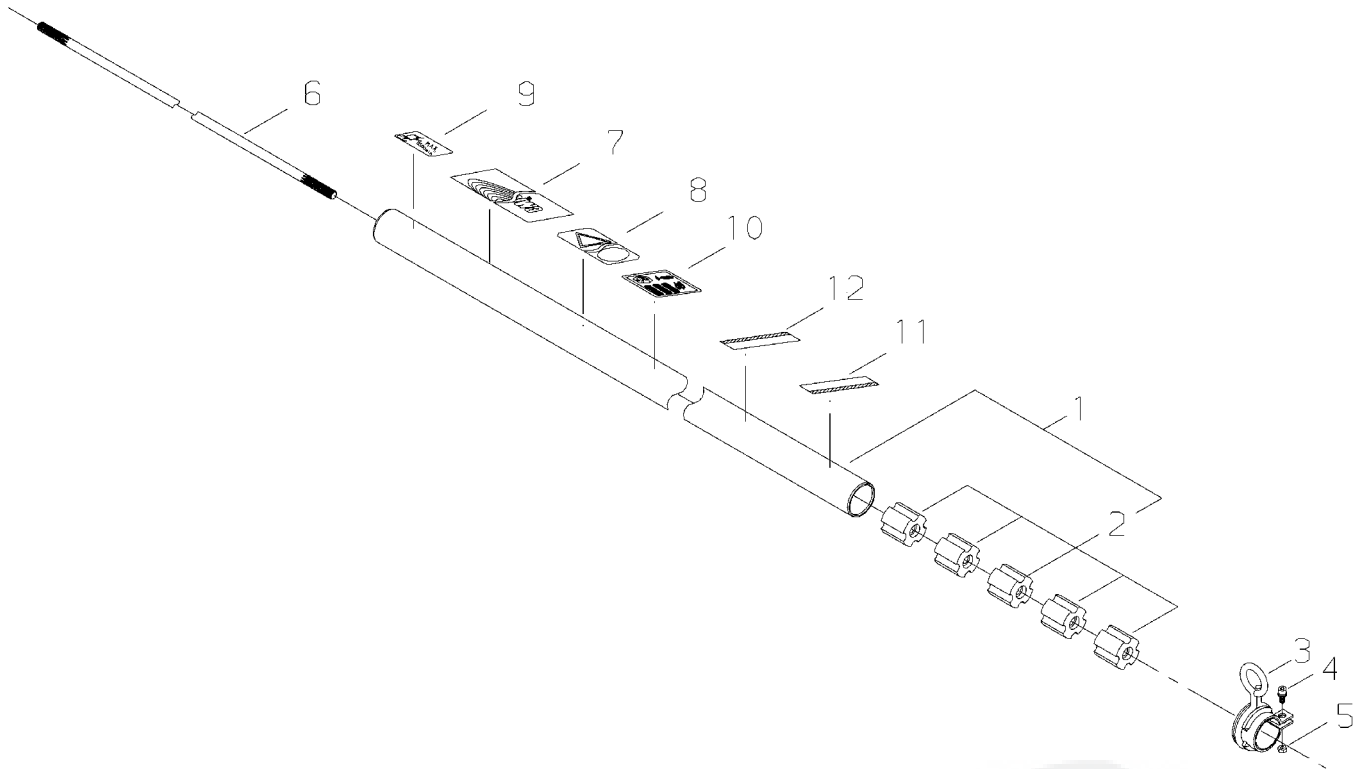
Ref. No	Part No.	Part Name	Q'ty
7-1	62907-85310	FUEL TANK ASSEMBLY	1
2	62907-85110	*FUEL TANK	1
3	70168-85201	*FUEL CAP ASSEMBLY	1
4	70168-85210	**FUEL CAP	1
9	20000-85221	**GASKET	1
10	70170-85310	*FUEL PIPE	1
11	20016-85400	*FUEL FILTER	1
12	20112-85351	*GROMMET	1
13	22197-33960	*VALVE	1
14	72933-85620	*JOINT	1
15	32003-85330	*PIPE	1
16	20020-85540	*CLIP	4
17	37013-85310	*CLIP	1
18	62901-85220	TANK CUSHION	4
19	62902-85320	TANK GUARD	1
20	11022-05200	BOLT SPW	2

* Denotes item is part of an assembly

** Denotes item is part of a sub-assembly

OUTER PIPE

ILLUSTRATION 8 - REV 10/05



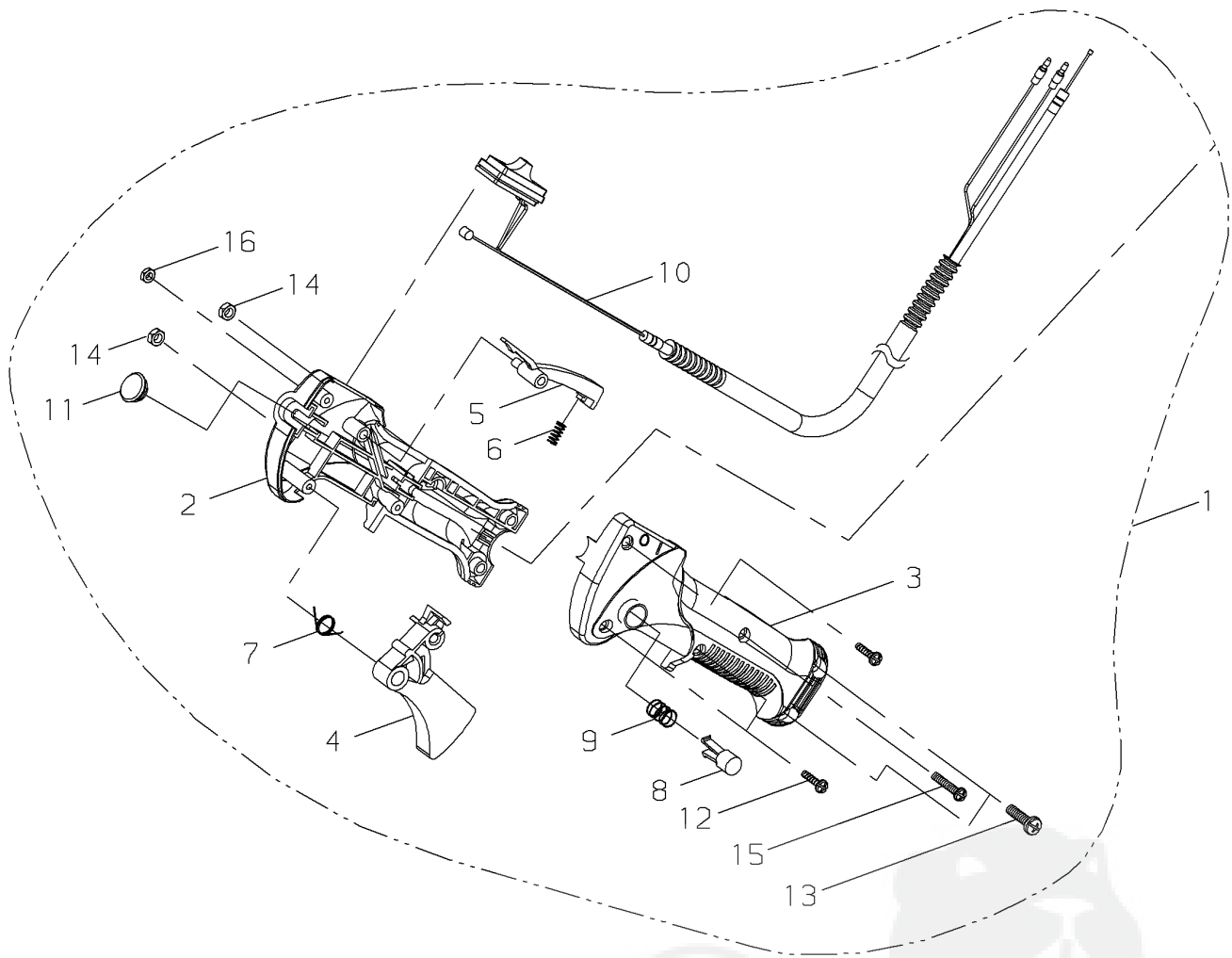
Ref. No	Part No.	Part Name	Q'ty
8-1	60907-98380	OUTER PIPE COMP	1
2	22000-12120	*BUSHING	5
3	22009-12210	HANGER	1
4	11022-05120	BOLT SPW	1
5	01500-05041	NUT	1
6	63907-62210	MAINSHAFT	1
7	19420-00084	LABEL TRADE	1
8	19402-00090	LABEL CAUTION	1
9	19402-00223	LABEL CAUTION	1
10	19404-00033	LABEL DECIBEL	1
11	72005-12140	CAUTION PLATE	1
12	72017-12150	HANDLE LABEL	1

* Denotes item is part of an assembly

** Denotes item is part of a sub-assembly

THROTTLE LEVER

ILLUSTRATION 10 - REV 10/05



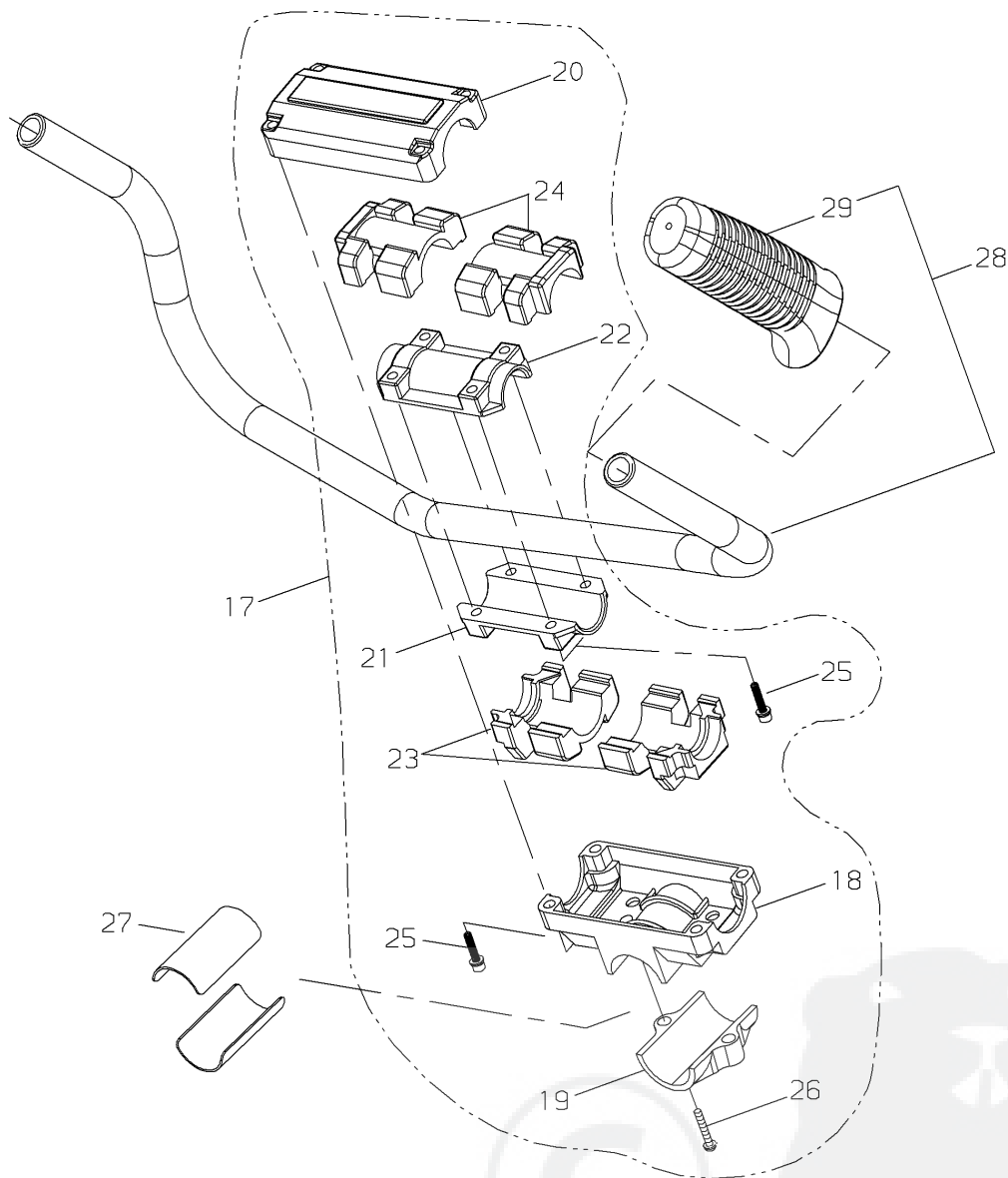
Ref. No	Part No.	Part Name	Q'ty
10- 1	64022-64060	THROTTLE LEVER ASSEMBLY	1
2	72550-14511	*BODY RIGHT	1
3	72550-14521	*BODY LEFT	1
4	70871-65130	*LEVER	1
5	70871-65140	*LOCK LEVER	1
6	70871-65150	*COIL SPRING	1
7	70871-65160	*COIL SPRING	1
8	70871-65170	*BUTTON	1
9	70871-65180	*COIL SPRING	1
10	64022-64310	*THROTTLE CABLE ASSEMBLY	1
11	22150-33630	*PLUG	1
12	70871-65311	*SCREW TAPPING	3
13	70871-65320	*SCREW PM	2
14	01501-05030	*NUT	2
15	70871-65330	*SCREW	1
16	70871-65340	*NUT	1

* Denotes item is part of an assembly

** Denotes item is part of a sub-assembly

HANDLE / BRACKET

ILLUSTRATION 10 - REV 10/05



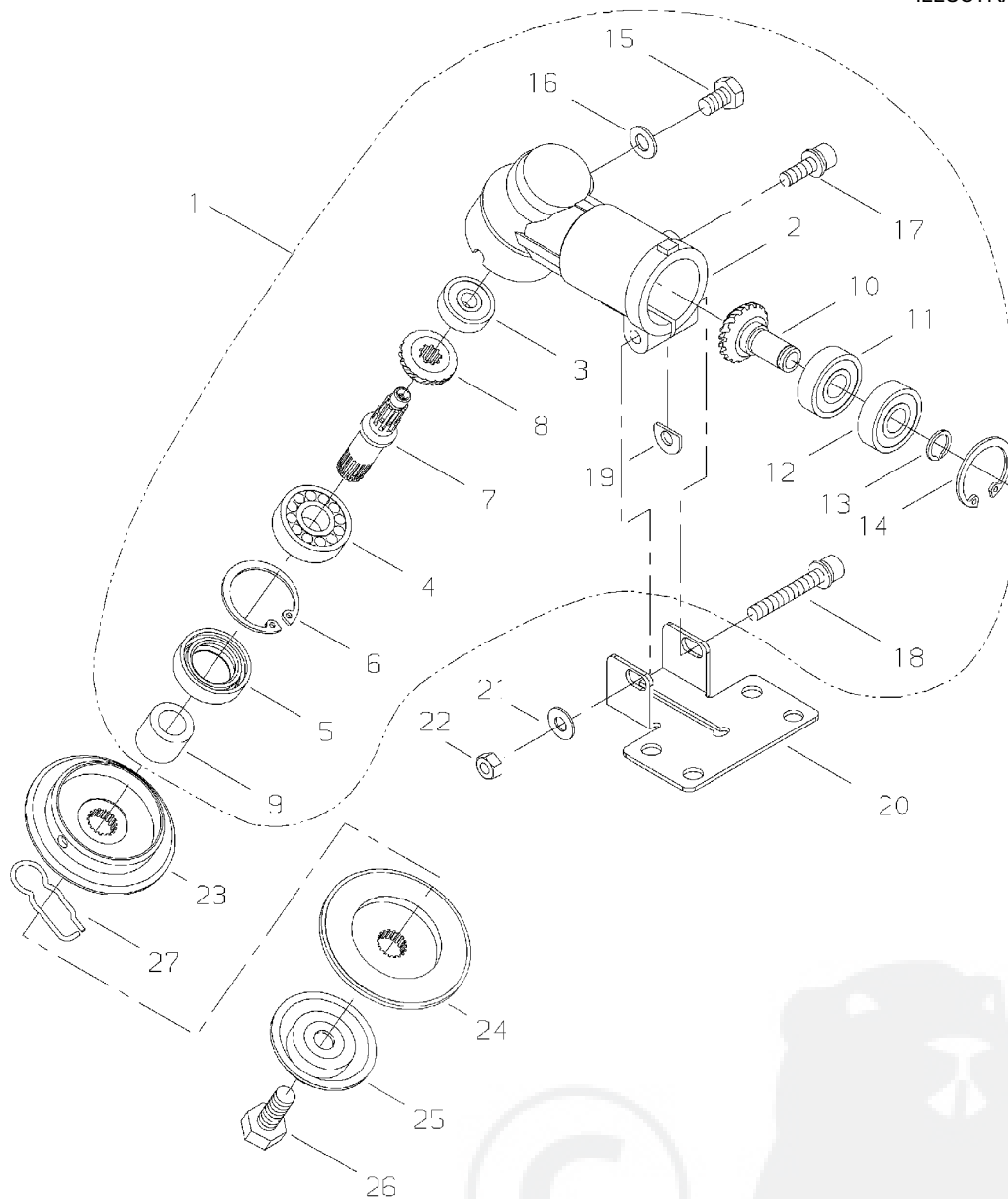
Ref. No	Part No.	Part Name	Q'ty
10-17	72555-14100	BRACKET COMP	1
18	72555-14110	*HANDLE BRACKET	1
19	72555-14120	*LOWER CAP	1
20	72555-14130	*UPPER CAP	1
21	22015-14140	*LOWER CLAMP	1
22	22015-14150	*UPPER CLAMP	1
23	22015-14160	*LOWER CUSHION	2
24	22015-14170	*UPPER CUSHION	2
25	11022-05250	*BOLT SPW	8
26	11210-06250	*SCREW BUTTON	2
27	72445-14190	SPACER	2
28	72550-14200	HANDLE SUB ASSEMBLY	1
29	72451-14320	*GRIP	1

* Denotes item is part of an assembly

** Denotes item is part of a sub-assembly

GEARCASE

ILLUSTRATION 9 - REV 10/05



Ref. No	Part No.	Part Name	Q'ty
9-1	63000-63020	GEARCASE COMP	1
2	22024-13112	*GEARCASE	1
3	02046-00609	*BEARING	1
4	02000-06201	*BEARING	1
5	22024-13121	*OIL SEAL	1
6	02432-32120	*SNAP RING	1
7	72435-13210	*GEARSHAFT	1
8	22024-13220	*BEVEL GEAR	1
9	22000-13230	*COLLAR	1
10	22024-13391	*PINION SET	1
11	02000-06901	*BEARING	1
12	02002-06901	*BEARING	1
13	20000-31140	*SNAP RING	1

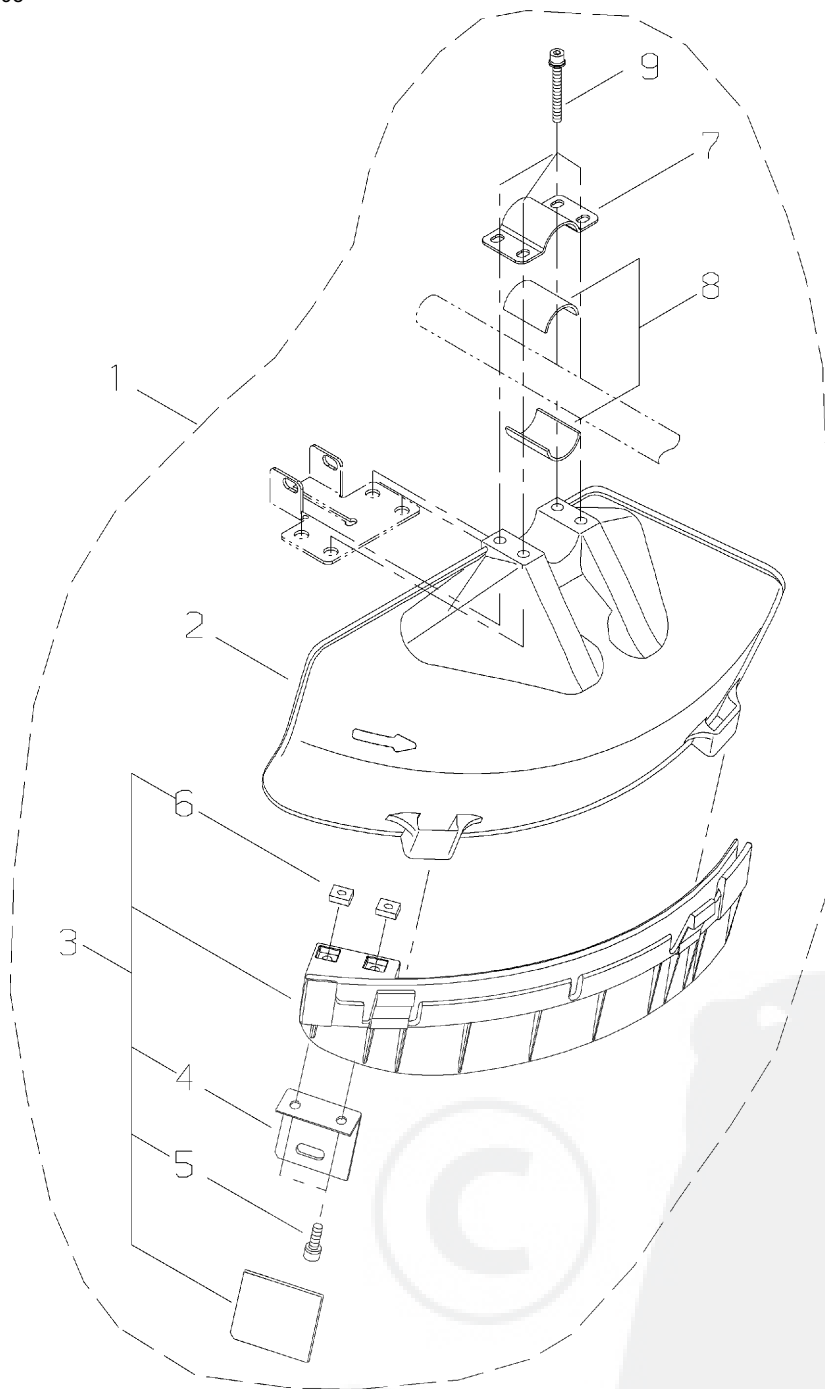
Ref. No	Part No.	Part Name	Q'ty
14	02432-24120	*SNAP RING	1
15	22015-13410	*BOLT	1
16	22015-13420	*GASKET	1
17	11022-05160	*BOLT SPW	1
18	11022-06400	*BOLT SPW	1
19	22011-13450	*SHIM	1
20	72441-16130	LOWER CLAMP	1
21	01613-06100	WASHER	1
22	01500-06051	NUT	1
23	22024-13912	HOLDER A	1
24	63000-63170	HOLDER	1
25	22024-13291	BOLT GUARD	1
26	22000-13512	BOLT	1
27	22000-13530	SLIDE PIN	1

* Denotes item is part of an assembly

** Denotes item is part of a sub-assembly

CUTTER / GUARD SET

ILLUSTRATION 11 - REV 10/05



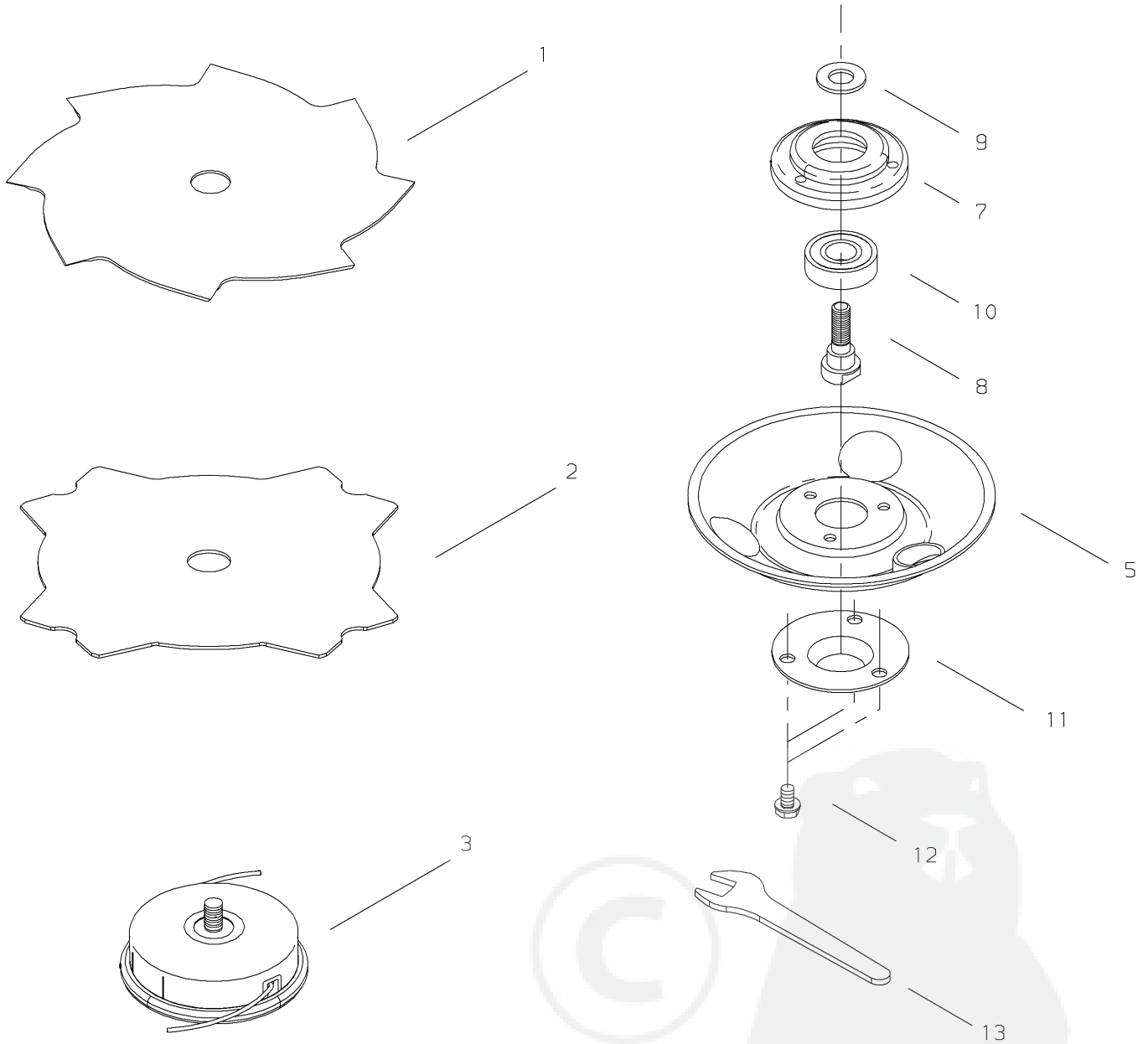
Ref. No	Part No.	Part Name	Q'ty
11- 1	64000-66310	GUARD SET	1
2	62903-66110	*GUARD	1
3	62903-66331	*SUB GUARD ASSEMBLY	1
4	72480-16121	**CUTTER	1
5	11020-05160	**BOLT SW	2
6	22420-16120	**NUT	2
7	72480-16210	*UPPER CLAMP	1
8	72441-16220	*SPACER	2
9	11022-05450	*BOLT SPW	4

* Denotes item is part of an assembly

** Denotes item is part of a sub-assembly

SAWS / TRIMMER HEAD / SHAFT COVER

ILLUSTRATION 13 - REV 10/05



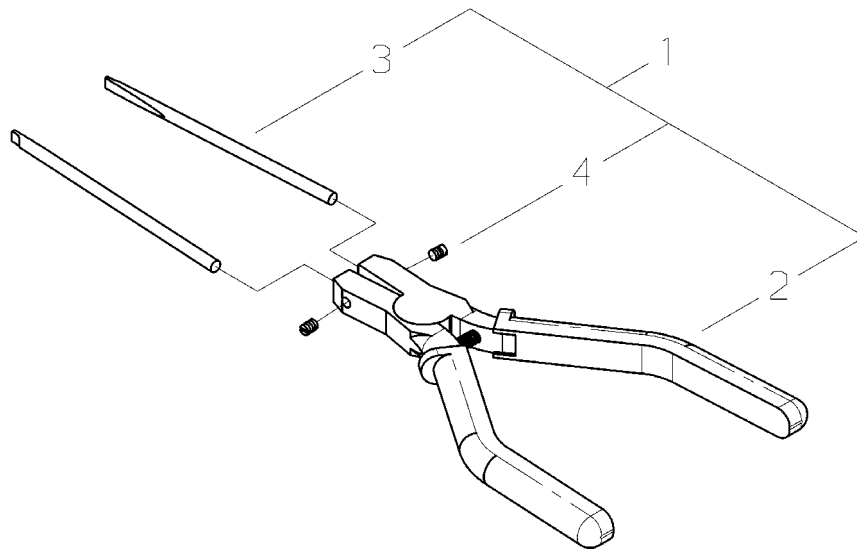
Ref. No	Part No.	Part Name	Q'ty
13- 1	60903-98310	EDDY SAW	1
2	60903-98320	CROSS SAW	1
3	78820-15000	TRIMMER HEAD ASSEMBLY	1
5	22013-15310	STABILIZER	1
7	22013-15320	HOLDER	1
8	22013-15330	BEARING SHAFT	1
9	22013-15340	WASHER	1
10	02002-06001	BEARING	1
11	22013-15350	SHAFT COVER	1
12	01015-05100	BOLT SW	3
13	09011-13006	SPANNER	1

* Denotes item is part of an assembly

** Denotes item is part of a sub-assembly

PLIERS

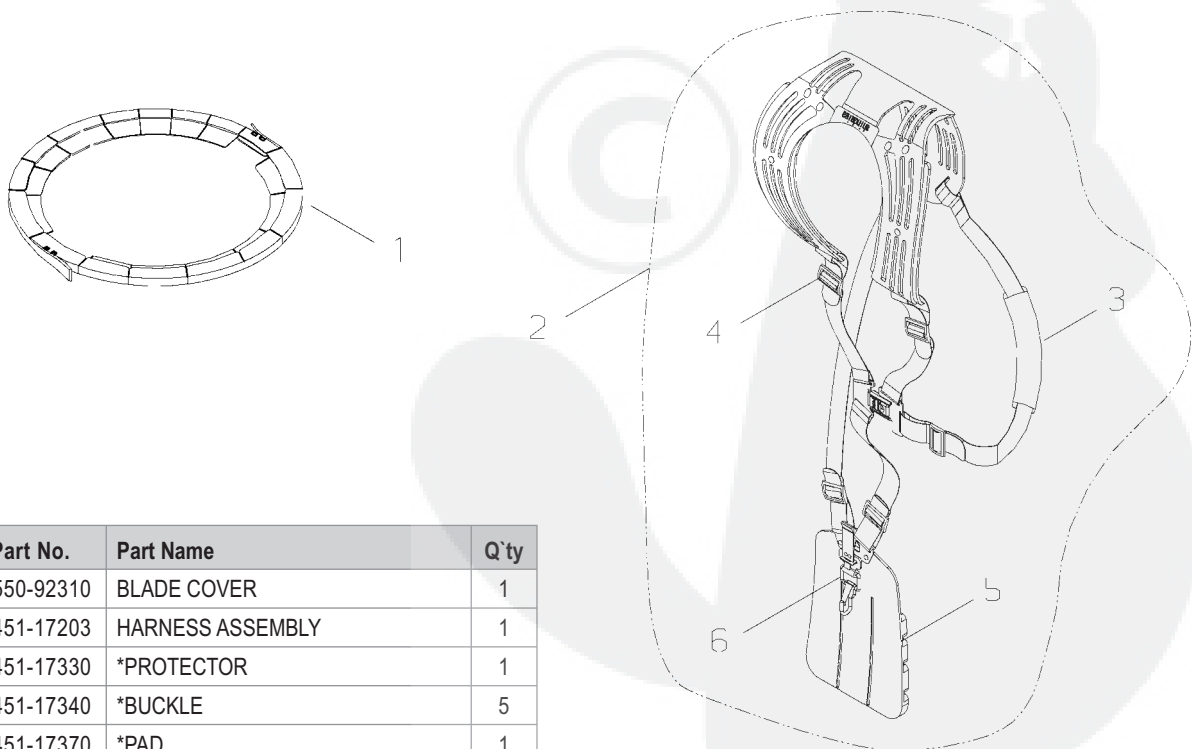
ILLUSTRATION 14 - REV 10/05



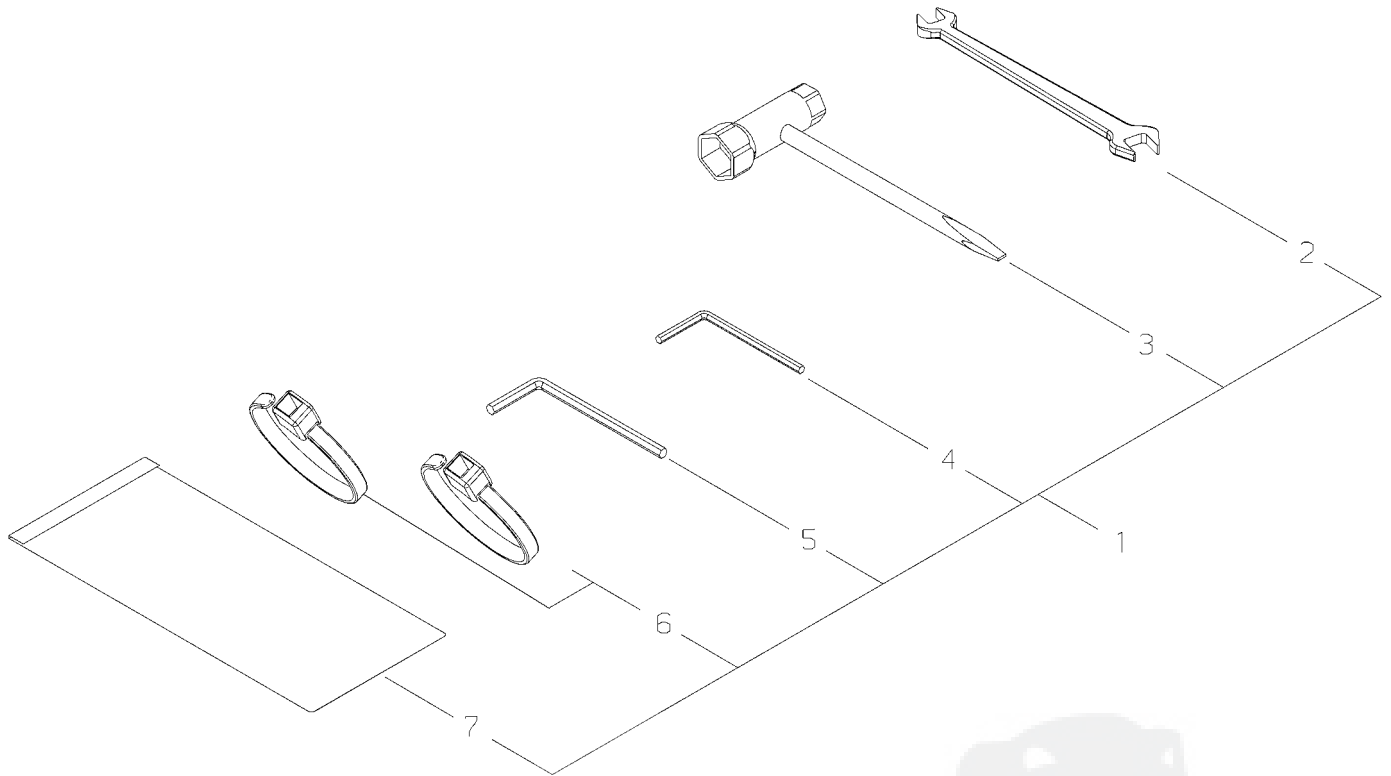
Ref. No	Part No.	Part Name	Q'ty
14- 1	60907-98360	PLIERS	1
2	22440-97030	*PLIERS	1
3	60907-98370	*ROD	2
4	01236-03040	*SETSCREW	2

BLADE COVER / HARNESS

ILLUSTRATION 15 - REV 10/05



Ref. No	Part No.	Part Name	Q'ty
15- 1	22550-92310	BLADE COVER	1
2	72451-17203	HARNESS ASSEMBLY	1
3	72451-17330	*PROTECTOR	1
4	72451-17340	*BUCKLE	5
5	72451-17370	*PAD	1
6	72451-17380	*HOOK	1



Ref. No	Part No.	Part Name	Q'ty
12- 1	62914-92310	TOOLSET	1
2	22000-91120	*SPANNER	1
3	22580-91180	*PLUG WRENCH	1
4	09026-04001	*HEX A WRENCH 5MM	1
5	09026-05001	*HEX A WRENCH 6MM	1
6	72431-12190	*BAND	2
7	19639-01400	*TOOLBAG	1

* Denotes item is part of an assembly

** Denotes item is part of a sub-assembly



shindaiwa[®]

www.shindaiwa.com

11975 SW Herman Road, Tualatin, Oregon 97062, U.S.A.
1 + 503.692.3070 • fax 1 + 503.692.6696

Item #xxxxx Effective 7/07