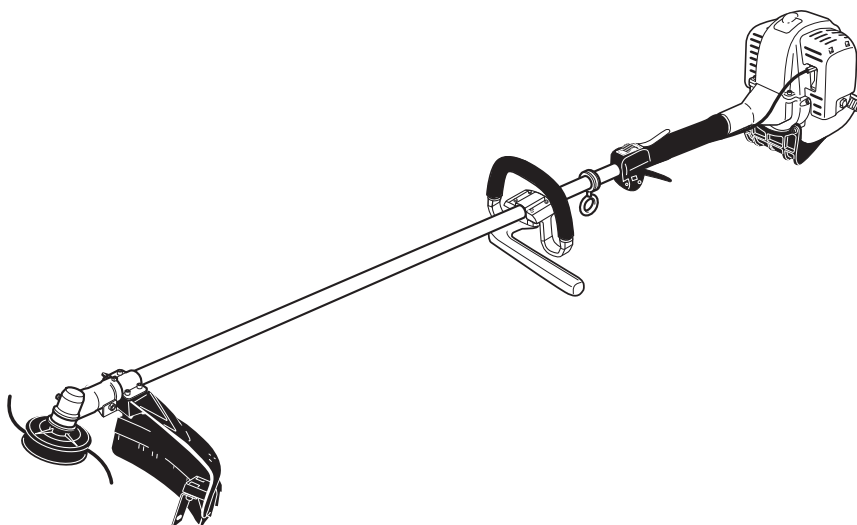


# Shindaiwa Illustrated Parts List

## C3410X EC2 Brushcutter



---

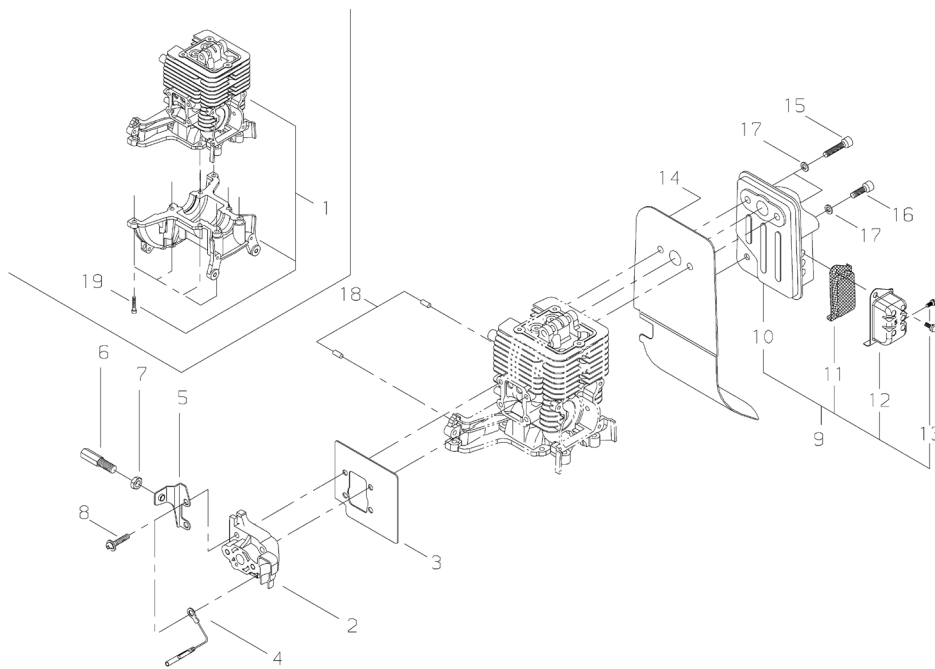
CYLINDER/MUFFLER/REED VALVE, CILINDRO/SILENCIADOR/VALVULA REED, CYLINDRE/SILENCIEUX/SOUPAPE DE PLAQUE .....	2
CYLINDER COVER/FAN COVER/REED VALVE, CUBIERTA DEL CILINDRO/ CUBIERTA, VENTILADOR/VALVULA REED, COUVERCLE DE CYLINDRE/ CAGE DU VENTILATEUR/SOUPAPE DE PLAQUE .....	3
VALVE TRAIN/PISTON/CLUTCH/CRANKSHAFT, VALVUVA/PISTON/EMBRAGUE, SOUPAPE/PISTON/EBRAYAGE .....	4, 5
COIL, BOBINA, BOBINE D' ALLUMAGE .....	6
RECOIL STARTER,ARRANCADOR, DÉMARREUR .....	7
CARBURETOR/AIR FILTER, FILTRO DE AIRE/CARBURADOR, FILTRE À AIR/CARBURATEUR .....	8
FUEL TANK, TANQUE DE COMBUSTIBLE, RÉSERVOIR À ESSENCE .....	9
THROTTLE LEVER/OUTER TUBE, PALANCA, ACELERADOR/TUBO PRINCIPAL, LEVIER D' ACCÉLÉRATEUR/TUBE EXTÉRIEUR.....	10
GEAR CASE, CAJA DE ENGRANAJES, BOÎTIER D' ENGRANAGE .....	11
HANDLE, MANGO, POIGNÉE .....	12
DEBRIS SHIELD, PROTECTOR, PROTECTEUR .....	13
TOOL KIT/SPECIAL TOOL, JUEGO DE HERRAMIENTAS/ALICATES, JEU D' OUTILS/PINCES .....	14
HARNESS, CINTO COLGADOR, CEINTURON .....	15

CYLINDER/MUFFLER

CILINDRO/SILENCIADOR

CYLINDRE/SILENCIEUX

1-REV 9/05



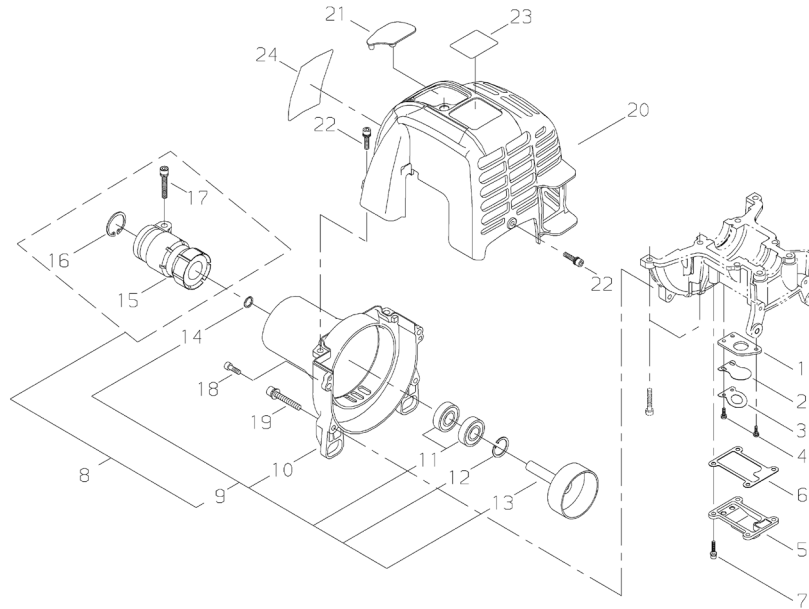
REF. NO	PART NO.	PART NAME	Q'TY
1-1	60907-98330	CYLINDERBLOCKSET	1
19	01020-05160	*BOLT	8
2	62907-12311	LEADVALVE	1
3	62907-12220	GASKET	1
4	14350-01101	LEADWIRE	1
5	62901-83310	BRACKETTHROTTLECABLE	1
6	62902-83310	CABLEADJUSTER	1
7	01501-06048	NUT	1
8	11206-05255	SCREWPMSPW	4
9	62907-15011	MUFFLERASSY	1
10	62907-15111	*MUFFLER	1
11	62902-15131	*SCREEN	1
12	62907-15161	*TAILPLATE	1
13	11204-04060	*SCREWPM	2
14	62901-15210	GASKETMUFFLER	1
15	62901-15310	BOLT	2
16	01020-05160	BOLT	1
17	01610-05080	WASHER	3
18	12492-40080	ROLLER	2

ENGINE COVER/REED VALVE

CUBIERTA DEL MOTOR/VALVULA DE LAMINA

COUVERCLE/SOUPAPE DE PLAQUE

2-REV 9/05



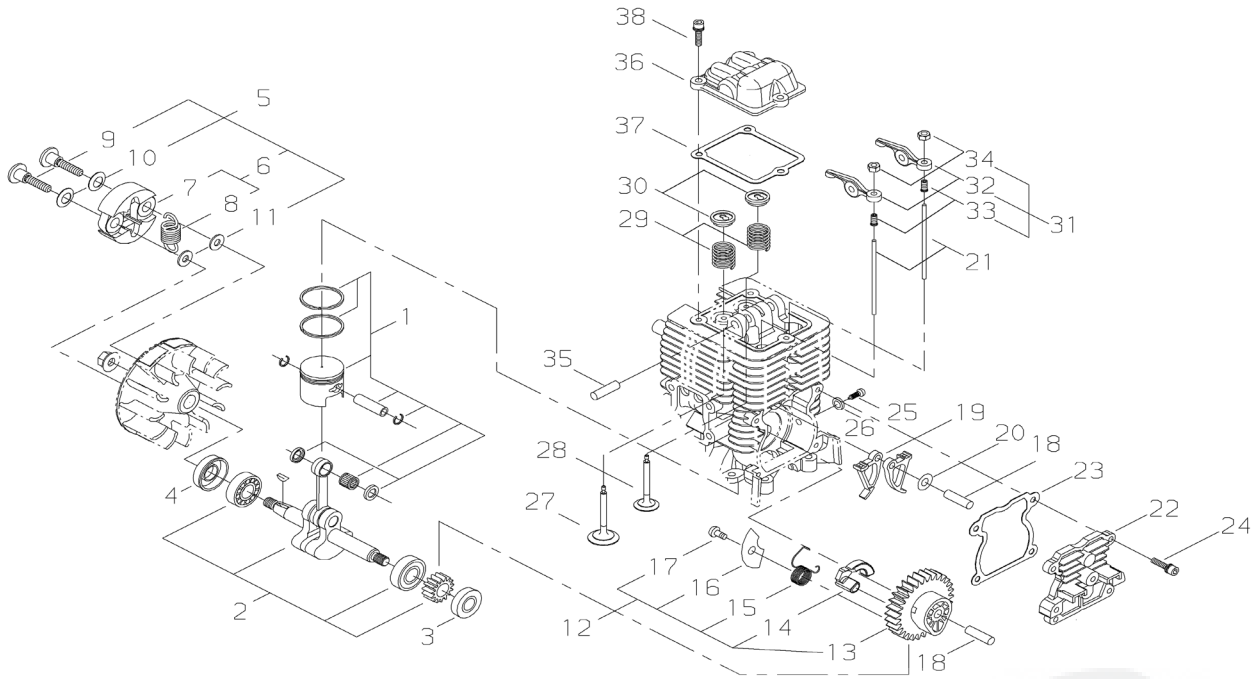
2-1	62901-21320	INSULATOR	1	
2	72320-83121	VALVE	1	
3	72320-83132	STOPPER	1	
4	01211-03100	SCREWSW	3	
5	62901-21120	COVER	1	
6	62901-21130	GASKET	1	
7	11022-04140	BOLTSPW	4	
8	60907-98351	FANCOVERASSY	1	
9	62907-31011	*FANCOVERCOMP	1	
10	62907-31110	**FANCOVER	1	
11	02036-06001	**BEARING	2	
12	02432-28120	**SNAPRING	1	
13	62907-31211	**CLUTCHDRUM	1	
14	20000-31140	**SNAPRING	1	
15	62907-33110	*JOINT	1	
16	02432-42170	*SNAPRING	1	
17	11020-05220	*BOLTSW	1	
18	01020-05160	BOLT	2	
19	11022-05400	BOLTSW	2	
20	62907-32110	CYLINDERCOVER	1	
21	62901-32312	GROMMET	1	
22	11022-04140	BOLTSPW	3	
23	62914-91320	LABELTRADE	1	
24	19420-00071	LABELTRADE	1	

VALVE TRAIN/PISTON/CLUTCH

VALVULA/PISTON/EMBRAGUE

SOUPAPE/PISTON/EMBAYAGE

3-REV 9/05



3-1	62907-41310	PISTONSET	1	
2	62907-42021	CRANKSHAFTCOMP	1	
3	62901-42260	OILSEAL	1	
4	62907-42270	OILSEAL	1	
5	72575-98031	CLUTCHSHOEASSY	1	
6	72575-98040	*CLUTCHSHOESUBASSY	1	
7	72575-98050	**CLUTCHSHOE	2	
8	72575-98060	**SPRING	1	
9	72575-98071	*CLUTCHBOLT	2	
10	20087-51231	*SPRINGPLATE	2	
11	22100-71430	*WASHER	2	
12	62905-43010	CAMGEARASSY	1	
13	62902-43310	*CAMGEAR	1	
14	62907-43120	*WEIGHT	1	
15	17520-08900	*COILSPRING	1	
16	62905-43130	*PLATE	1	
17	01280-04062	*SCREW TAPPING	1	
18	12492-50290	ROLLER	2	
19	62907-43210	LIFTER	2	

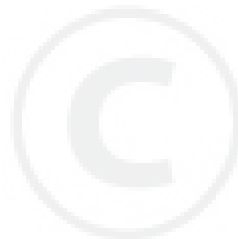
VALVE TRAIN/PISTON/CLUTCH

VALVULA/PISTON/EMBRAGUE

SOUPAPE/PISTON/EMBAYAGE

3-REV 9/05

20	11620-10000	WASHER	1	
21	62907-43220	PUSHROD	2	
22	62907-43230	CAMGEARCOVER	1	
23	62907-43240	GASKET	1	
24	11022-04140	BOLTSPW	4	
25	62901-43310	SCREW	1	
26	15401-10028	COLLAR	1	
27	62907-44110	INTAKEVALVE	1	
28	62907-44120	EXHAUSTVALVE	1	
29	62901-44130	VALVESPRING	2	
30	62901-44140	RETAINER	2	
31	62907-44010	ROCKERARMSSY	2	
32	62901-44210	*ROCKERARM	1	
33	62907-44220	*ADJUSTSCREW	1	
34	62901-44231	*NUT	1	
35	12492-50370	*ROLLER	1	
36	62907-44240	ROCKERARMCOVER	1	
37	62907-44250	GASKET	1	
38	11022-04140	BOLTSPW	3	

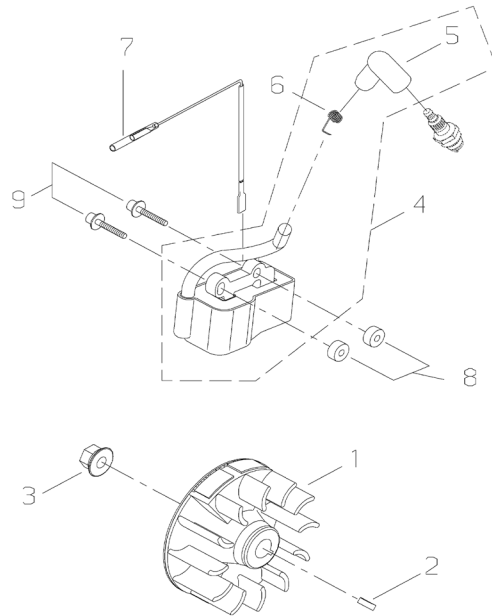


IGNITION COIL/FLYWHEEL

BOBINA/VOLANTE

BOBINE D' ALLUMAGE/ ROTOR

4-REV 9/05



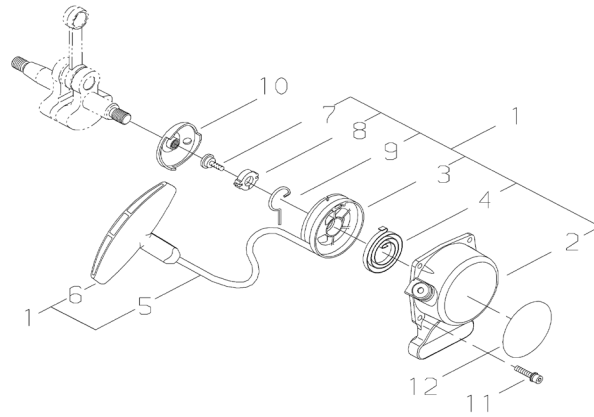
4-1	62907-71110	ROTOR	1	
2	02403-03100	KEY	1	
3	20035-71220	NUT	1	
4	62907-71310	COILASSY	1	
5	62905-71250	*PLUGCAP	1	
6	62905-71320	*SPRINGPLUG	1	
7	14350-02200	LEADWIRE	1	
8	70030-71620	INSULATOR	2	
9	11024-04265	BOLTSW	2	

RECOIL STARTER

ARRANCADOR

DÉMARREUR

5-REV 9/05



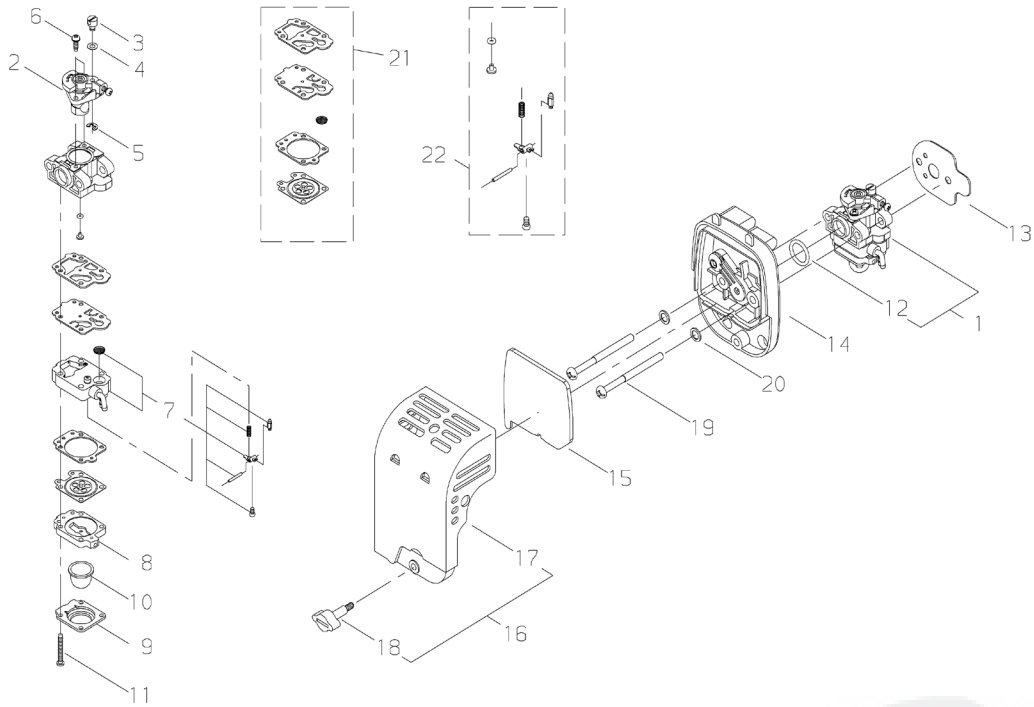
5- 1	62907-75010	RECOILSTARTERASSY	1	
2	62907-75110	*STARTERCASE	1	
3	62907-75120	*REEL	1	
4	70030-75130	*RECOILSPRING	1	
5	62907-75140	*ROPE	1	
6	62907-75150	*KNOB	1	
7	37013-75310	*SCREW	1	
8	37013-75320	*COLLAR	1	
9	37013-75330	*SWINGARM	1	
10	37013-75210	STARTERPULLEY	1	
11	11022-04140	BOLTSPW	4	
12	19420-00070	LABELTRADE	1	

AIR CLEANER/CARBURETOR

FILTRO DE AIRE/CARBURADOR

FILTRE À AIR/CARBURATEUR

6-REV 9/05



6- 1	62907-81011	CABURETORASSY	1	
2	62907-81321	*VALVE	1	
3	72933-81450	*SWIVEL	1	
4	20089-81185	*WASHER	1	
5	20036-81195	*ERING	1	
6	70064-81290	*SCREW	2	
7	37013-81350	*PUMPBODYASSY	1	
8	20016-81420	*PUMPBASECOMP	1	
9	20016-81510	*PUMPCOVER	1	
10	20036-81670	*PRIMERPUMP	1	
11	20016-81140	*SCREW	4	
12	20016-81250	*ORING	1	
21	60902-98030	*GASKETSET	1	
22	60907-98341	*VALVESET	1	
13	62907-81210	GASKET	1	
14	62905-82010	AIRFILTERBASEASSY	1	
15	62902-82120	FILTER	1	
16	62902-82030	CLEANERCOVERASSY	1	
17	62901-82131	*CLEANERCOVER	1	
18	62901-82330	*KNOBAIRFILTERCOVER	1	
19	11203-05605	SCREWPMWSW	2	
20	01613-05080	WASHER	2	

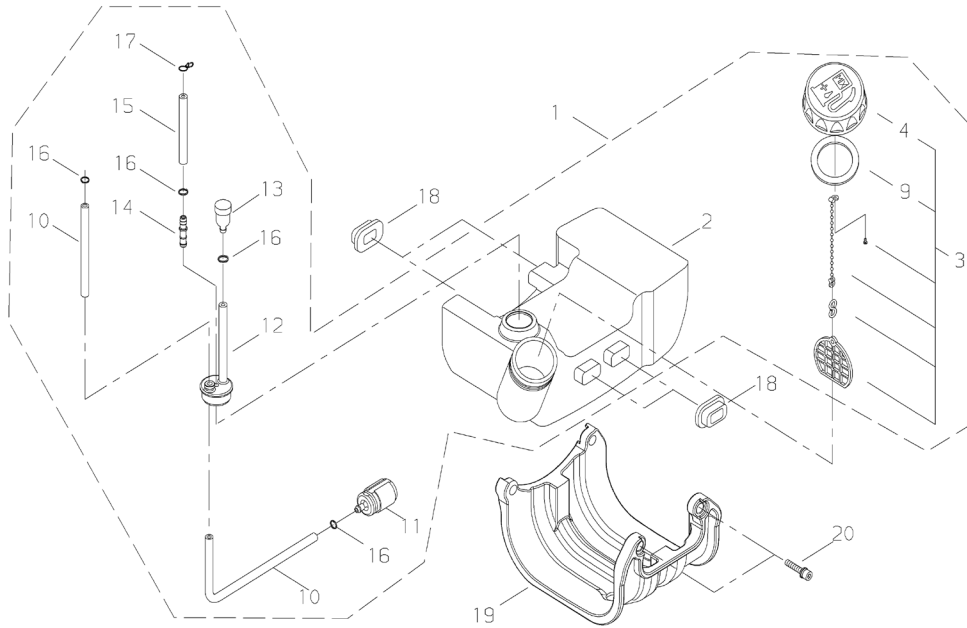


FUEL TANK

TANQUE DEL COMBUSTIBLE

RÉSERVOIR À ESSENCE

7-REV 9/05



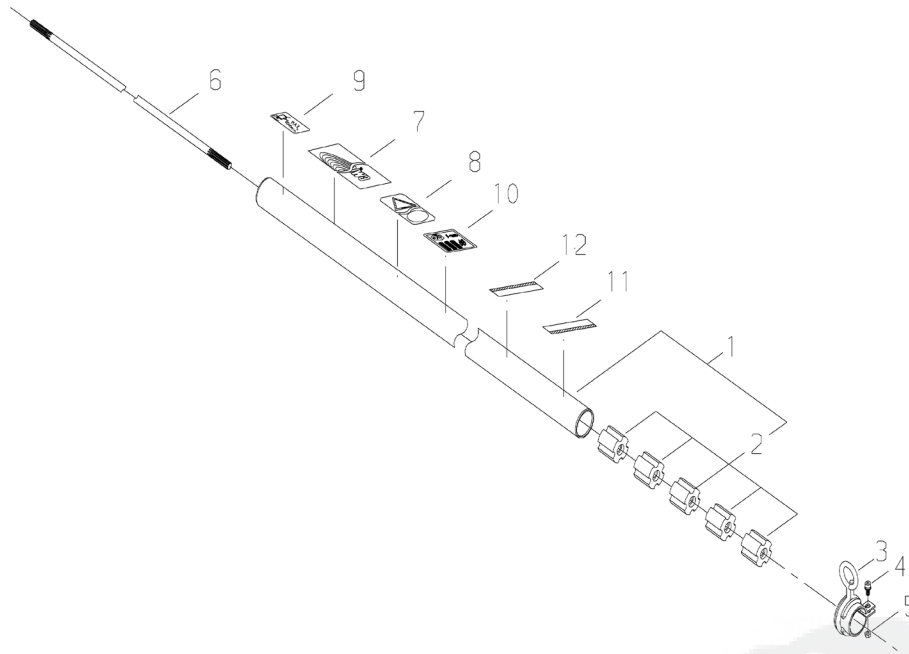
7- 1	62907-85310	FUELTANKASSY	1	
2	62907-85110	*FUELTANK	1	
3	70168-85201	*FUELCAPASSY	1	
4	70168-85210	**FUELCAAP	1	
9	20000-85221	**GASKET	1	
10	70170-85310	*FUELPIPE	1	
11	20016-85400	*FUELFILTER	1	
12	20112-85351	*GROMMET	1	
13	22197-33960	*VALVE	1	
14	72933-85620	*JOINT	1	
15	32003-85330	*PIPE	1	
16	20020-85540	*CLIP	4	
17	37013-85310	*CLIP	1	
18	62901-85220	TANKCUSHION	4	
19	62902-85320	TANKGUARD	1	
20	11022-05200	BOLTSPW	2	

THROTTLE LEVER/OUTER TUBE

ACELERADOR/TUBO

LEVIER D'ACCÉLÉRATEUR/TUBE EXTÉRIEUR

8-REV 9/05



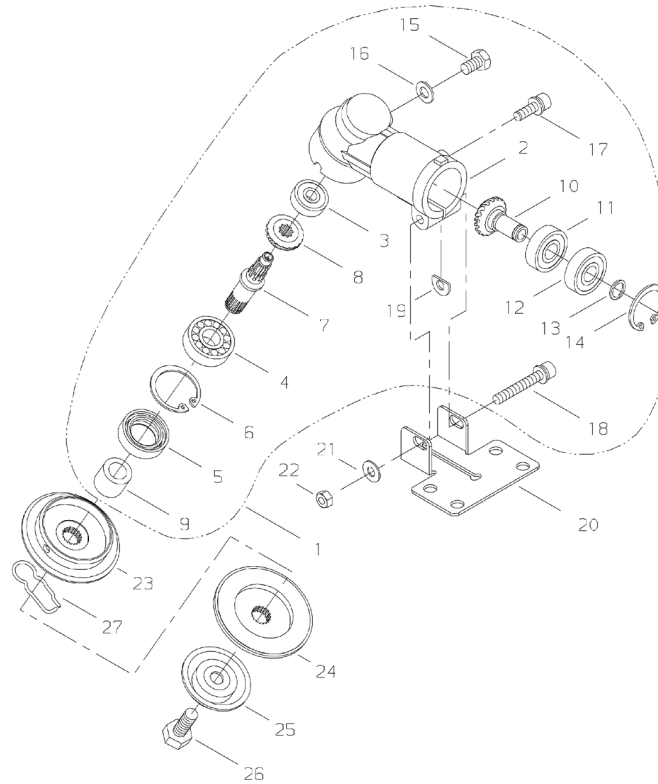
8- 1	60907-98380	OUTERPIPECOMP	1	
2	22000-12120	*BUSHING	5	
3	22009-12210	HANGER	1	
4	11022-05120	BOLTSPW	1	
5	01500-05041	NUT	1	
6	63907-62210	MAINSHAFT	1	
7	19420-00084	LABELTRADE	1	
8	19402-00090	LABELCAUTION	1	
9	19402-00223	LABELCAUTION	1	
10	19404-00033	LABELDECIBEL	1	
11	72005-12140	CAUTIONPLATE	1	
12	72017-12150	HANDLELABEL	1	

GEAR CASE

CAJA DE ENGRANAJES

BOÎTIER D'ENGRENAGE

9-REV 9/05



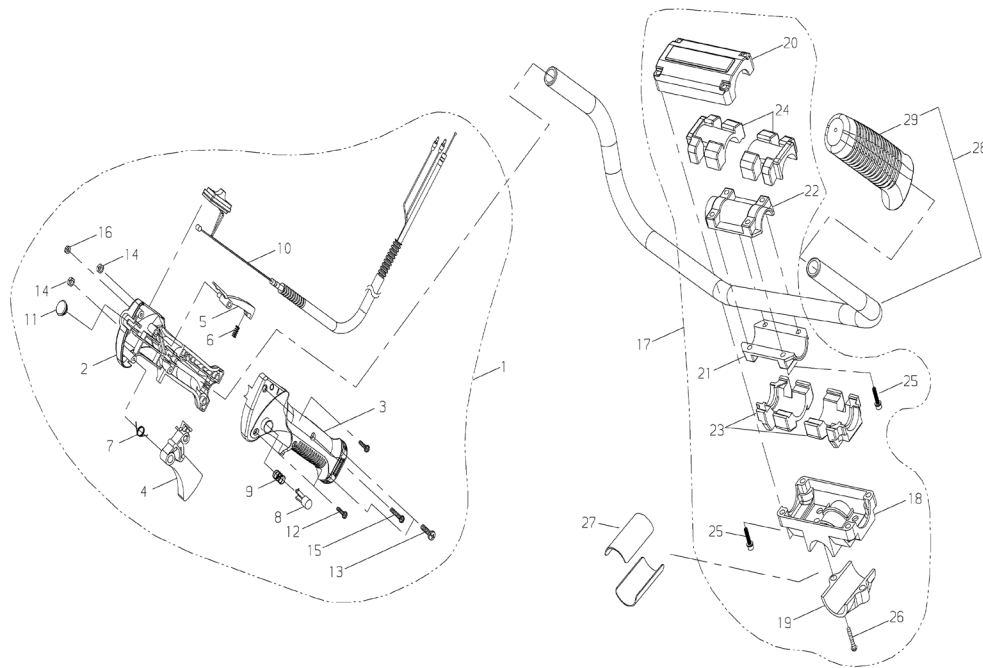
9- 1	63000-63020	GEARCASECOMP	1	
2	22024-13112	*GEARCASE	1	
3	02046-00609	*BEARING	1	
4	02000-06201	*BEARING	1	
5	22024-13121	*OILSEAL	1	
6	02432-32120	*SNAPRING	1	
7	72435-13210	*GEARSHAFT	1	
8	22024-13220	*BEVELGEAR	1	
9	22000-13230	*COLLAR	1	
10	22024-13391	*PINIONSET	1	
11	02000-06901	*BEARING	1	
12	02002-06901	*BEARING	1	
13	20000-31140	*SNAPRING	1	
14	02432-24120	*SNAPRING	1	
15	22015-13410	*BOLT	1	
16	22015-13420	*GASKET	1	
17	11022-05160	*BOLTSPW	1	
18	11022-06400	*BOLTSPW	1	
19	22011-13450	*SHIM	1	
20	72441-16130	LOWERCLAMP	1	
21	01613-06100	WASHER	1	
22	01500-06051	NUT	1	
23	22024-13912	HOLDERA	1	
24	63000-63170	HOLDER	1	
25	22024-13291	BOLTGUARD	1	
26	22000-13512	BOLT	1	
27	22000-13530	SLIDEPIN	1	

HANDLE

MANGO

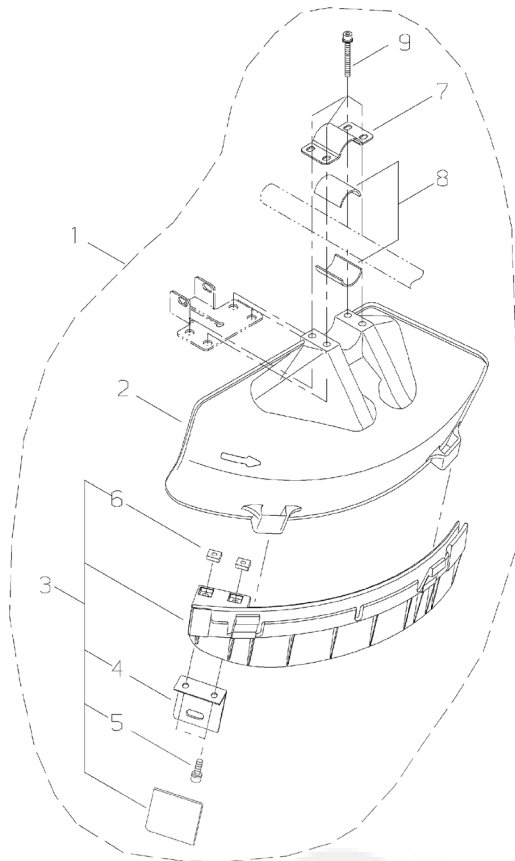
POIGNÉE

10-REV 9/05



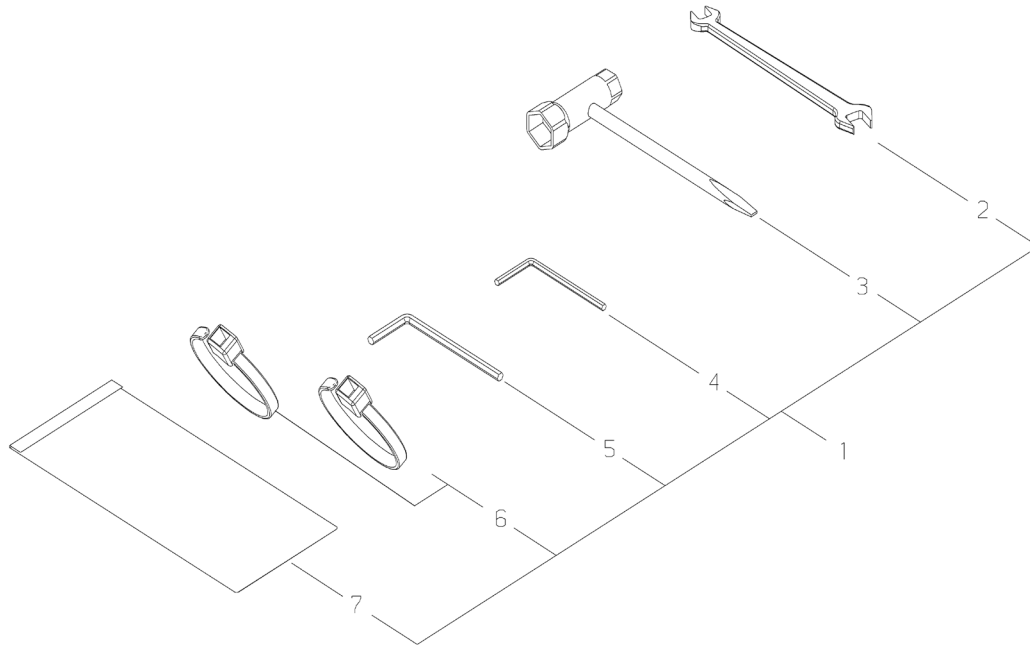
10- 1	64022-64060	THROTTLELEVERASSY	1	
2	72550-14511	*BODYRIGHT	1	
3	72550-14521	*BODYLEFT	1	
4	70871-65130	*LEVER	1	
5	70871-65140	*LOCKLEVER	1	
6	70871-65150	*COILSPRING	1	
7	70871-65160	*COILSPRING	1	
8	70871-65170	*BUTTON	1	
9	70871-65180	*COILSPRING	1	
10	64022-64310	*THROTTLECABLEASSY	1	
11	22150-33630	*PLUG	1	
12	70871-65311	*SCREWTAPPING	3	
13	70871-65320	*SCREWPM	2	
14	01501-05030	*NUT	2	
15	70871-65330	*SCREW	1	
16	70871-65340	*NUT	1	
17	72555-14100	BRACKETCOMP	1	
18	72555-14110	*HANDLEBRACKET	1	
19	72555-14120	*LOWERCAP	1	
20	72555-14130	*UPPERCAP	1	
21	22015-14140	*LOWERCLAMP	1	
22	22015-14150	*UPPERCLAMP	1	
23	22015-14160	*LOWERCUSHION	2	
24	22015-14170	*UPPERCUSHION	2	
25	11022-05250	*BOLTSPW	8	
26	11210-06250	*SCREWBUTTON	2	
27	72445-14190	SPACER	2	
28	72550-14200	HANDLESUBASSY	1	
29	72451-14320	*GRIP	1	

DEBRIS SHIELD  
 PROTECTOR  
 PROTECTEUR  
 11-REV 9/05



11-1	64000-66310	GUARDSET	1	
2	62903-66110	*GUARD	1	
3	62903-66331	*SUBGUARDASSY	1	
4	72480-16121	**CUTTER	1	
5	11020-05160	**BOLTSW	2	
6	22420-16120	**NUT	2	
7	72480-16210	*UPPERCLAMP	1	
8	72441-16220	*SPACER	2	
9	11022-05450	*BOLTSPW	4	

TOOL SET/SPECIAL TOOL  
 JUEGO DE HERRAMIENTOS  
 JEU D' OUTILS  
 12,13-REV 9/05



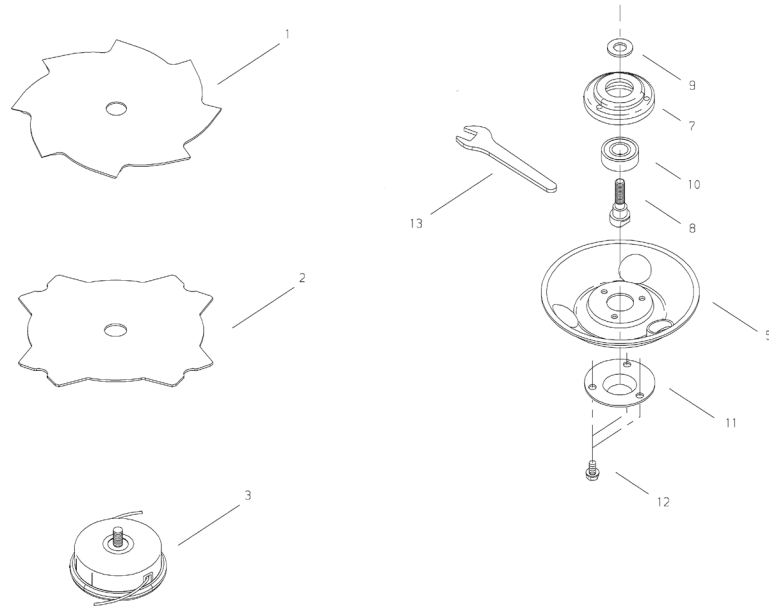
12- 1	62914-92310	TOOLSET	1	
2	22000-91120	*SPANNER	1	
3	22580-91180	*PLUGWRENCH	1	
4	09026-04001	*HEXAWRENCH5MM	1	
5	09026-05001	*HEXAWRENCH6MM	1	
6	72431-12190	*BAND	2	
7	19639-01400	*TOOLBAG	1	

HARNESS

JUEGO DE HERRAMIENTOS

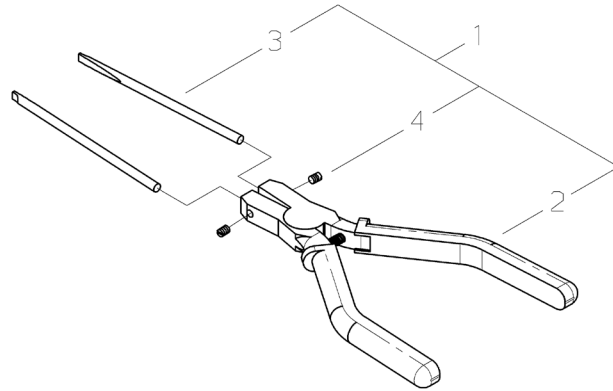
JEU D' OUTILS

14-REV 9/05



13- 1	60903-98310	EDDYSAW	1	
2	60903-98320	CROSSSAW	1	
3	78820-15000	TRIMMERHEADASSY	1	
5	22013-15310	STABILIZER	1	
7	22013-15320	HOLDER	1	
8	22013-15330	BEARINGSHAFT	1	
9	22013-15340	WASHER	1	
10	02002-06001	BEARING	1	
11	22013-15350	SHAFTCOVER	1	
12	01015-05100	BOLT SW	3	
13	09011-13006	SPANNER	1	

TOOL SET/SPECIAL TOOL  
JUEGO DE HERRAMIENTOS  
JEU D' OUTILS  
12,13-REV 9/05



14- 1	60907-98360	PLIERS	1	
2	22440-97030	*PLIERS	1	
3	60907-98370	*ROD	2	
4	01236-03040	*SETSCREW	2	

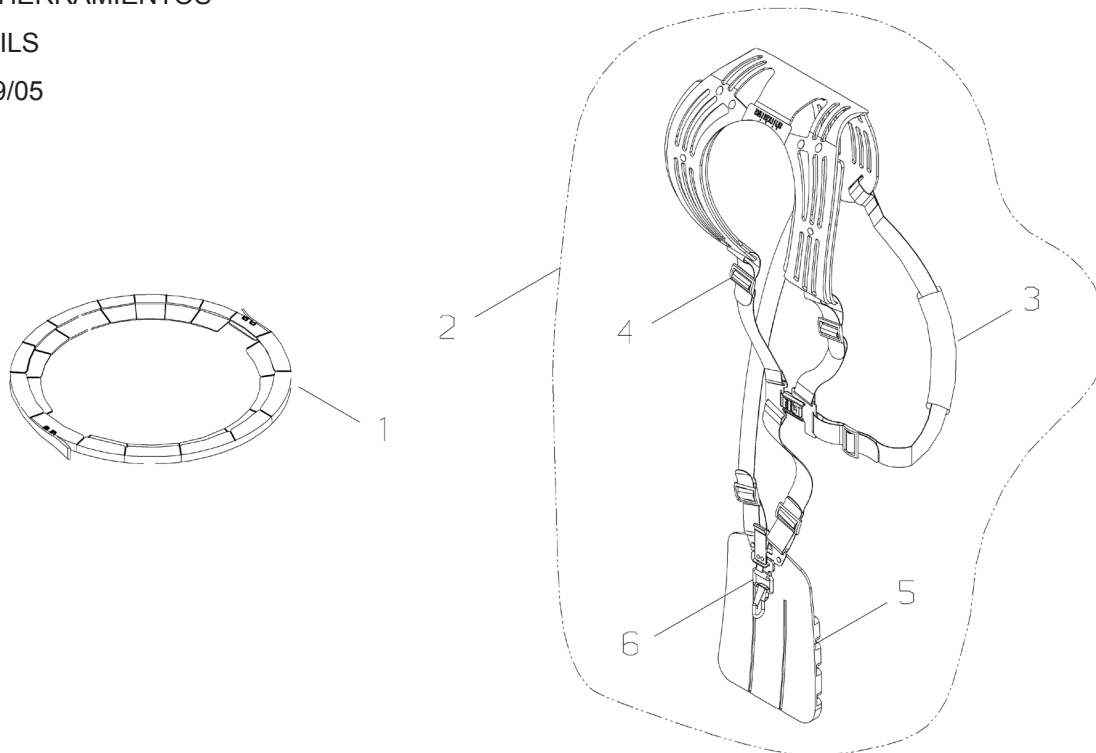


TOOL SET/SPECIAL TOOL

JUEGO DE HERRAMIENTOS

JEU D' OUTILS

12,13-REV 9/05



15-1	22550-92310	BLADECOVER	1	
2	72451-17203	HARNESSASSY	1	
3	72451-17330	*PROTECTOR	1	
4	72451-17340	*BUCKLE	5	
5	72451-17370	*PAD	1	
6	72451-17380	*HOOK	1	

**shindaiwa**

11975 SW Herman Rd, Tualatin OR 97062 Item# XXXXX Effective 10/05

