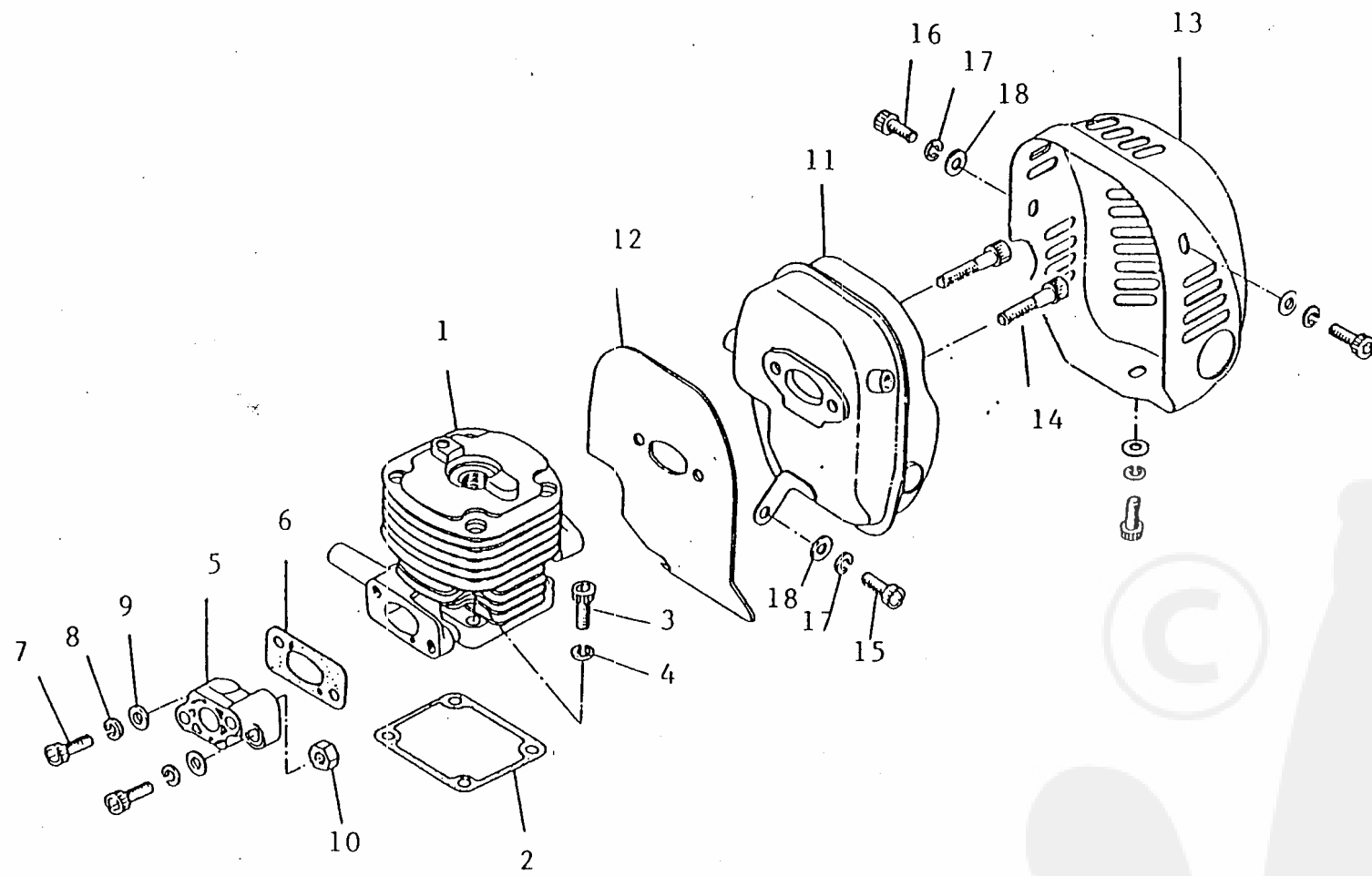
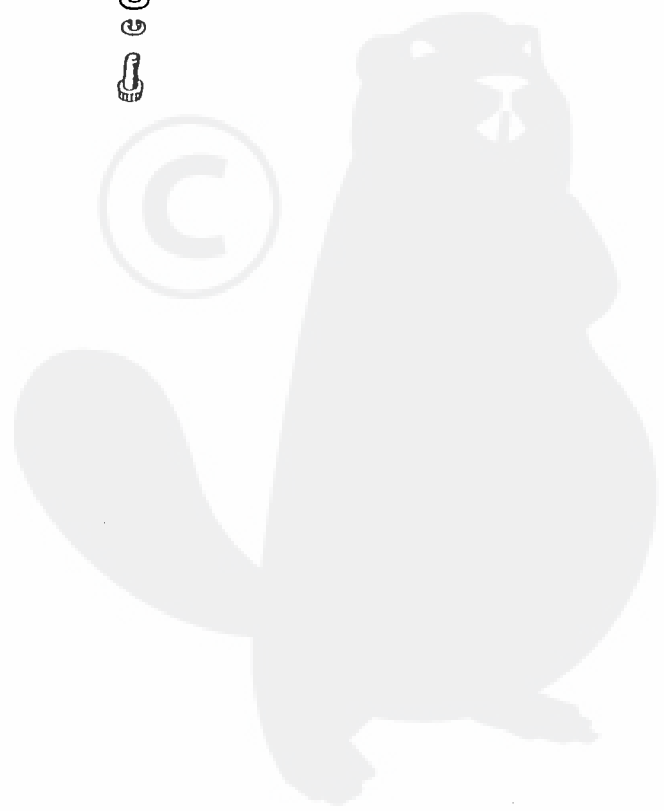


Re: Cylinder , Muffler



- 1 -

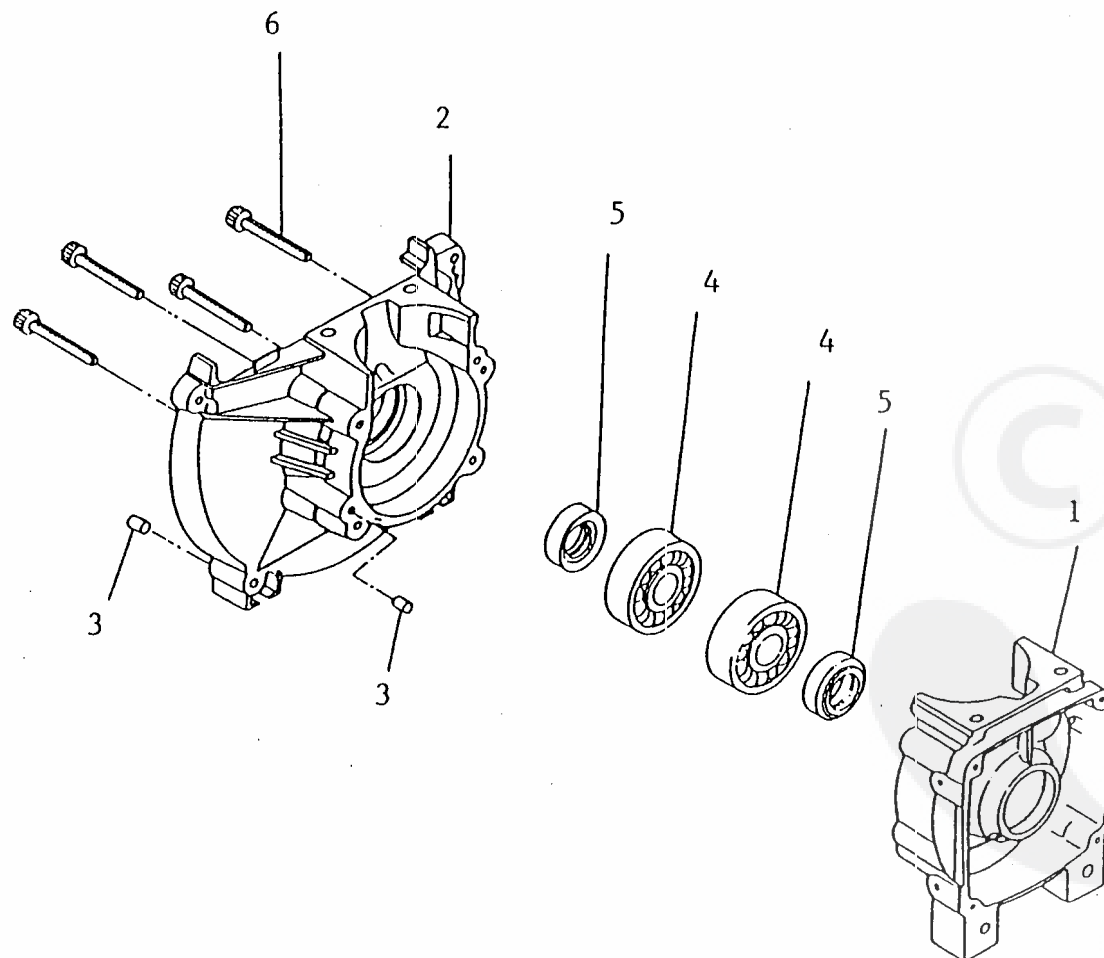


1. CYLINDER
MUFFLER

Ref No	Part Name	Part No	Qty
1- 1	CYLINDER	20011-12111	1
1- 2	GASKET, cylinder	20010-12120	1
1- 3	BOLT	01020-05250	4
1- 4	SPRING WASHER	01600-05131	4
1- 5	INSULATOR	20011-12212	1
1- 6	GASKET, insulator	20011-12220	1
1- 7	BOLT	01020-05250	2
1- 8	SPRING WASHER	01600-05131	2
1- 9	WASHER	01610-05080	2
1-10	NUT	20011-12260	2
	MUFFLER ASSY	70016-15002	1
1-11 *	MUFFLER	20021-15111	1
1-12 *	GASKET, muffler	20011-15211	1
1-13 *	GUARD, muffler	70016-15310	1
1-14 *	BOLT	01020-06250	2
1-15 *	BOLT	01020-05120	1
1-16 *	BOLT	01020-05100	3
1-17 *	SPRING WASHER	01600-05131	4
1-18 *	WASHER	20010-15320	4

Re: Crankcase

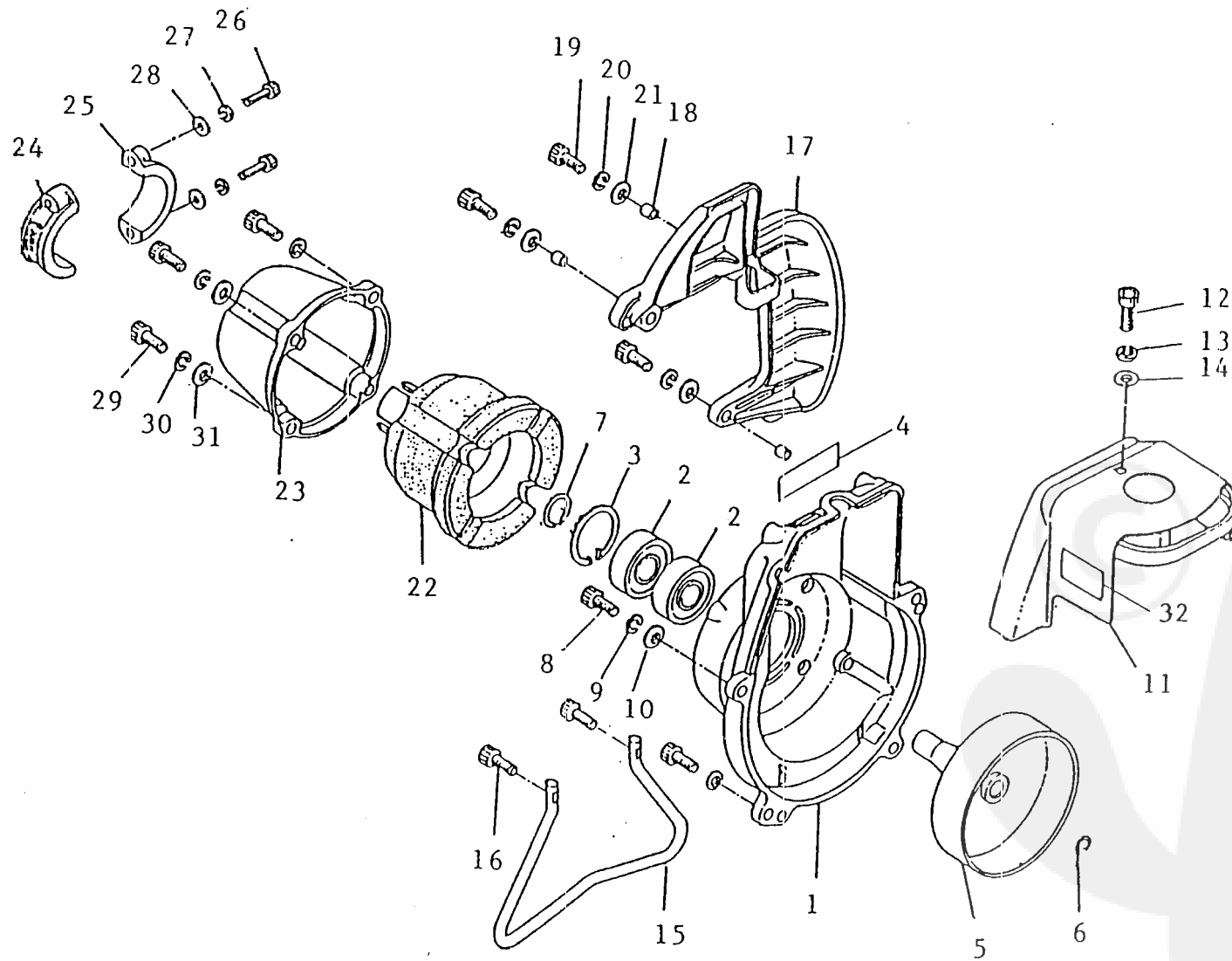
- 3 -



2 . C R A N K C A S E

Ref No		Part Name	Part No	Q'ty
		CRANKCASE ASSSY	70012-21000	1
2- 1	*	CRANKCASE-S	70012-21110	1
2- 2	*	CRANKCASE-M	70012-21120	1
2- 3	*	DOWEL PIN	20000-21140	4
2- 4	*	BEARING	02030-06202	2
2- 5	*	OIL SEAL	20010-21211	2
2- 6	*	BOLT	01020-05300	4

Re: Fan cover



3. FAN COVER

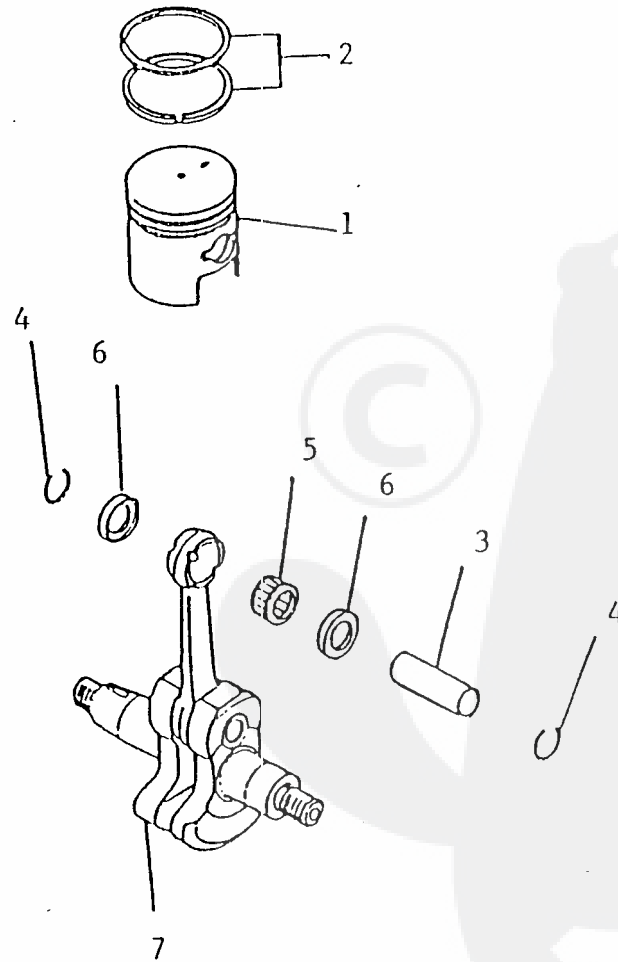
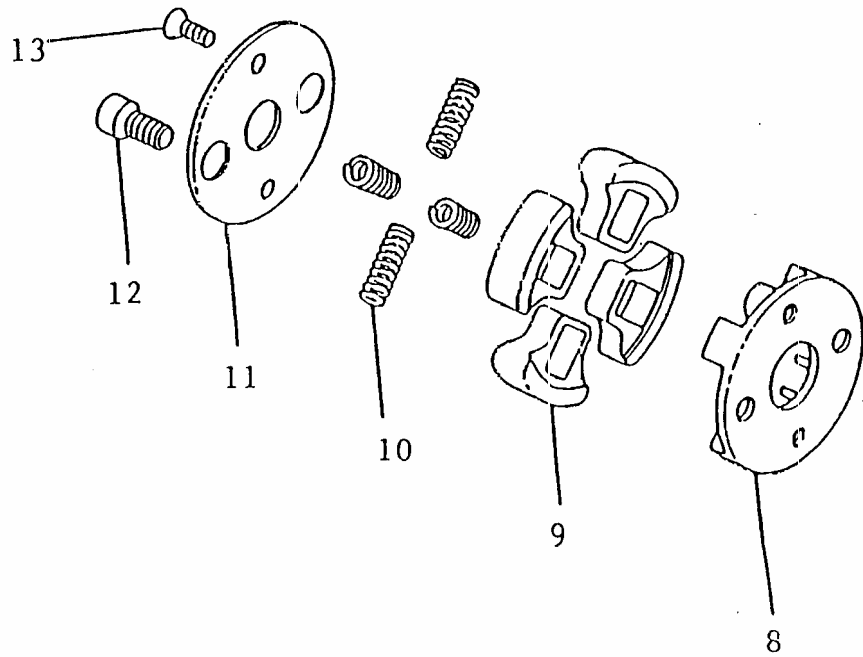
Ref No	Part Name	Part No	Q'ty
	FAN COVER ASSY	70012-31000	1
3- 1 *	FAN COVER	70012-31110	1
3- 2 *	BEARING	02006-06002	2
3- 3 *	SNAP RING	02432-32120	1
3- 4 *	NAME PLATE	70012-31151	1
	* CLUTCH DRUM SET	20011-31200	1
3- 5 **	CLUTCH DRUM	20011-31210	1
3- 6 **	SNAP RING	20011-31220	1
3- 7 *	SNAP RING	20011-31230	1
3- 8 *	BOLT	01020-05200	4
3- 9 *	SPRING WASHER	01600-05131	4
3-10 *	WASHER	01610-05080	2
3-11	CYLINDER COVER	70012-32110	1
3-12	BOLT	01020-05140	1
3-13	SPRING WASHER	01600-05131	1
3-14	WASHER	20010-15320	1
3-15	STAND	20011-33110	1
3-16	BOLT	01020-05120	2
	PROTECTOR SUB ASSY	20011-34100	1
3-17 *	PROTECTOR	20011-34110	1
3-18 *	COLLAR	20000-31320	3
3-19	BOLT	01020-04160	3
3-20	SPRING WASHER	01600-04101	3
3-21	WASHER	20010-71650	3
	JOINT ASSY	70012-35100	1

<<BELGIUM-C35.000031>>

Ref No		Part Name	Part No	Q'ty
3-22	*	JOINT	20011-35110	1
3-23	*	CAP, joint	70012-35130	1
3-24	*	CLAMP-A	20011-35141	1
3-25	*	CLAMP-B	20011-35151	1
3-26	*	BOLT	01020-05250	2
3-27	*	SPRING WASHER	01600-05131	2
3-28	*	WASHER	01610-05080	2
3-29	*	BOLT	01020-05200	4
3-30	*	SPRING WASHER	01600-05131	4
3-31	*	WASHER	01610-05080	3

Re: Piston , Crankshaft

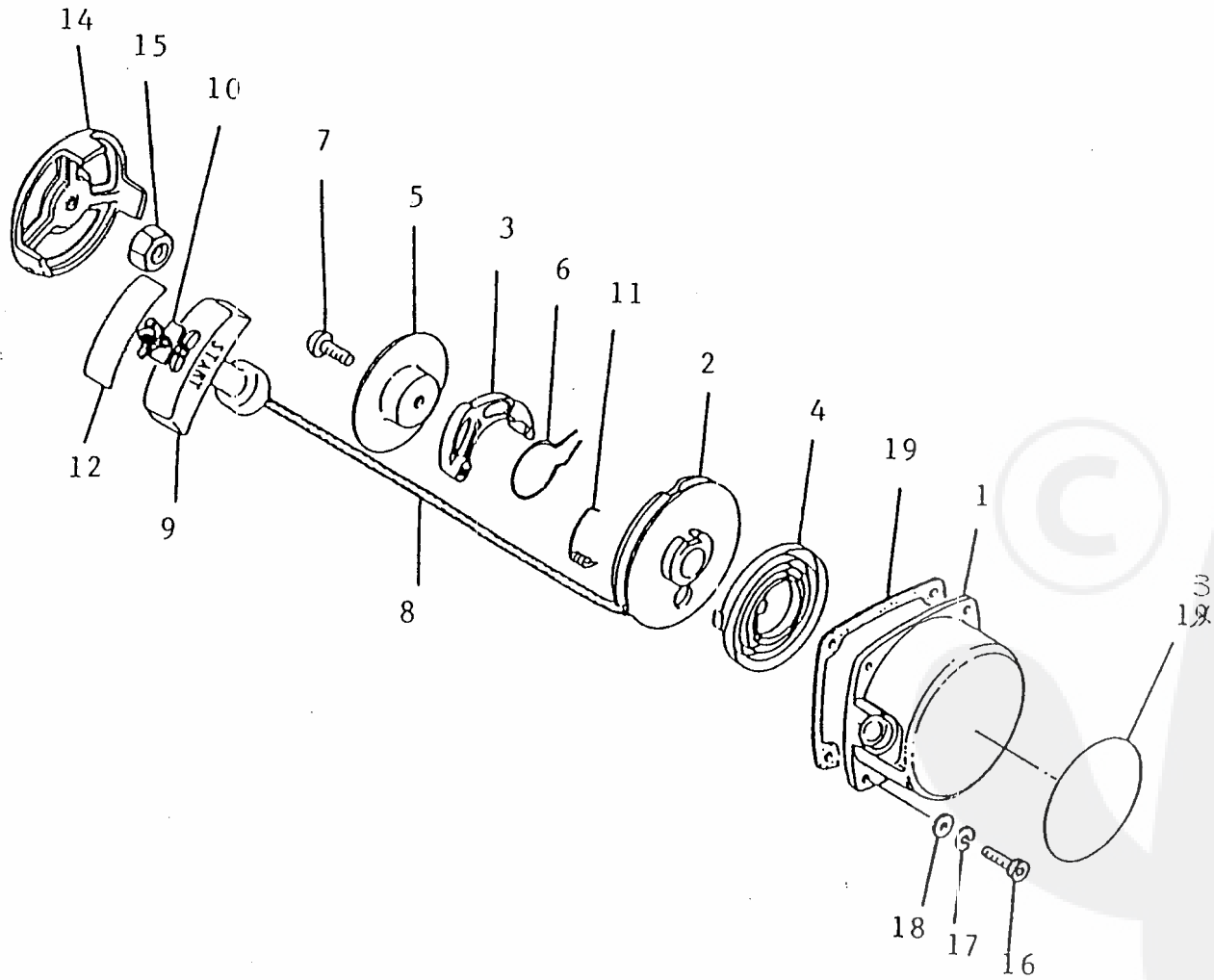
- 8 -



5. MAGNETO

Ref No	Part Name	Part No	Q'ty
5- 1	ROTOR	20010-71200	1
5- 2	WOODRUFF KEY	22100-43210	1
5- 3	NUT	01511-10061	1
5- 4	SPRING WASHER	01600-10251	1
5- 5	COIL	20011-71611	1
5- 6	SPACER, coil	20010-71631	2
5- 7	BOLT	01020-04260	2
5- 8	SPRING WASHER	01600-04101	2
5- 9	WASHER	20010-71650	2
5-10	TUBE	20011-71660	1
5-11	UNIT	70000-71710	1
5-12	INSULATOR	20010-71830	2
5-13	BOLT	01020-04160	2
5-14	SPRING WASHER	01600-04101	2
5-15	WASHER	20010-71650	2
5-16	GROMMET	20011-72110	1
5-17	GROMMET	20011-72120	1
5-18	PLUG CAP	22102-72220	1
5-19	SPRING, spark plug	20000-72230	1
5-20	SPARK PLUG	20000-73111	1
5-21	SWITCH	72011-11410	1
5-22	BRACKET	70014-74120	1

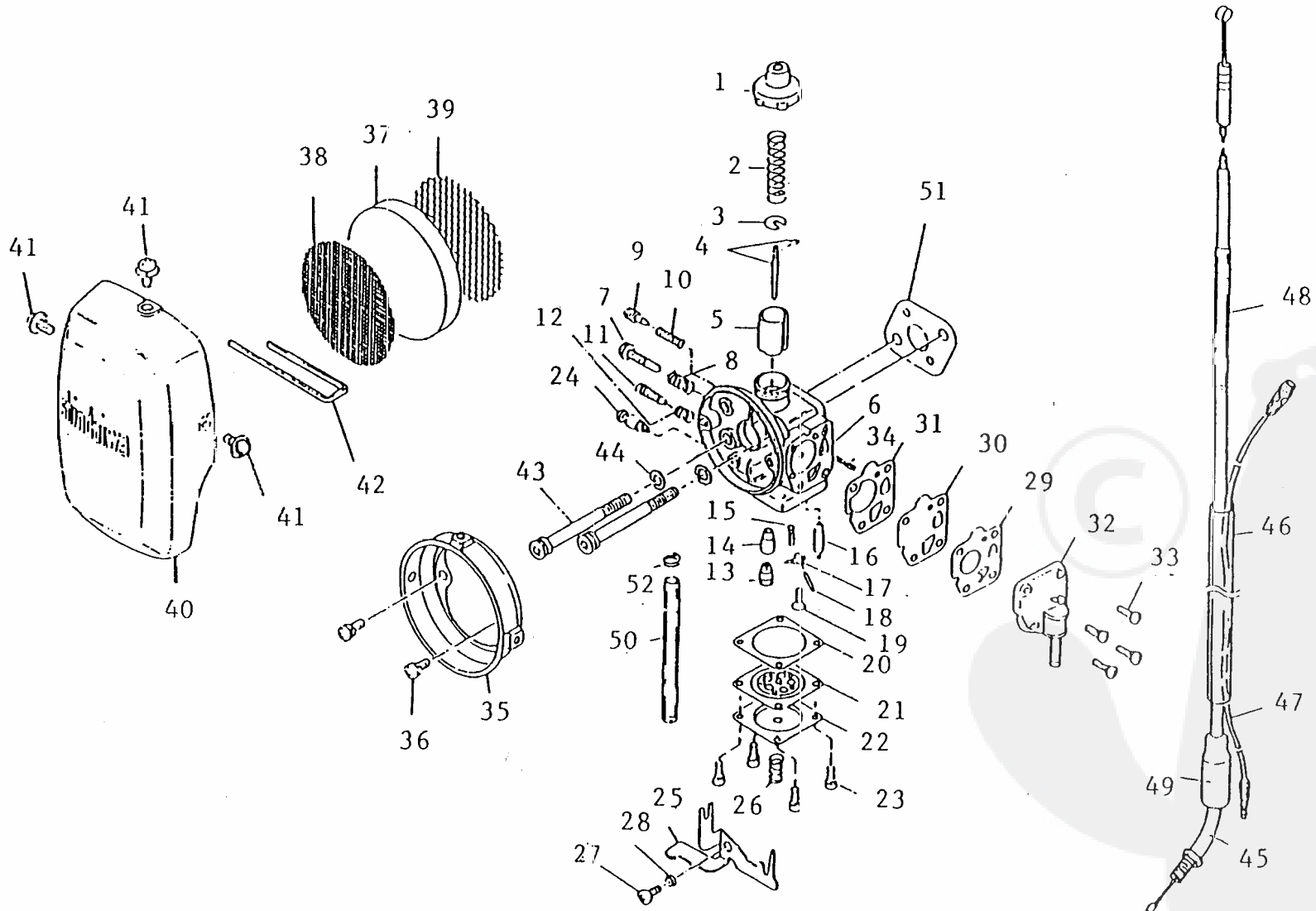
Re: Recoil starter



6. RECOIL STARTER

Ref No		Part Name	Part No	Q'ty
		RECOIL STARTER ASSY	70012-75000	1
	*	RECOIL STARTER SUB ASSY	70012-75100	1
6- 1	**	STARTER CASE	70012-75110	1
6- 2	**	REEL	20000-75120	1
6- 3	**	RATCHET	20000-75130	1
6- 4	**	RECOIL SPRING	20000-75140	1
6- 5	**	FRICTION PLATE	20000-75150	1
6- 6	**	FRICTION SPRING	20000-75160	1
6- 7	**	SCREW	20000-75170	1
6- 8	**	ROPE	20000-75180	1
6- 9	**	KNOB, starter	20010-75190	1
6-10	**	STOPPER	20010-75210	1
6-11	**	RETURN SPRING	20000-75220	1
6-12	**	TAPE, knob	20010-75230	1
6-13	**	NAME PLATE	70005-75240	1
6-14	*	STARTER PULLEY	70000-75230	1
6-15		NUT	20000-76210	1
6-16		BOLT	01020-04160	4
6-17		SPRING WASHER	01000-04101	4
6-18		WASHER	01610-04050	2
6-19		GASKET, recoil starter	20010-76110	1

Re: Carburetor



7. CARBURETOR

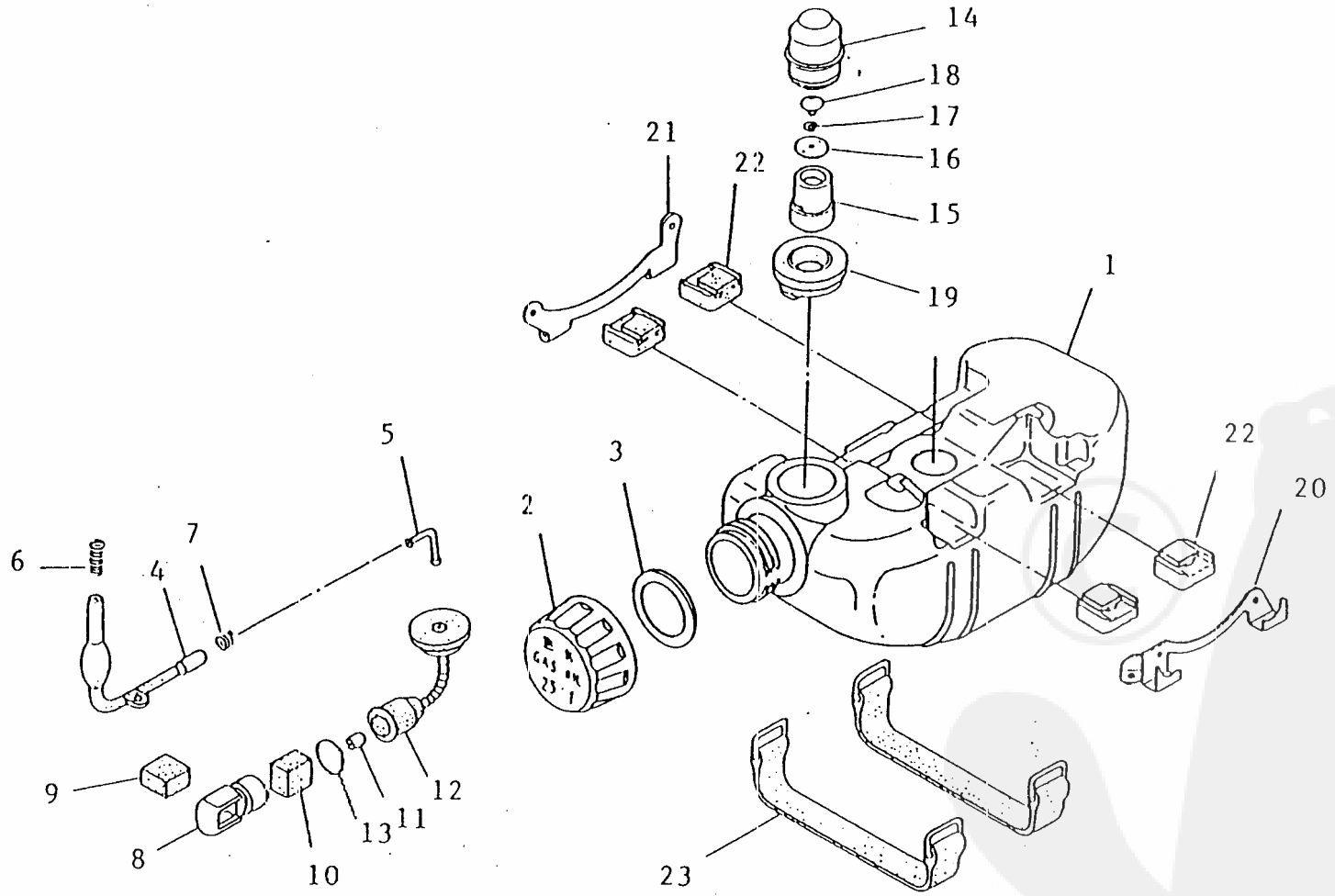
Ref No		Part Name	Part No	Q'ty
		CARBURETOR ASSY	20011-81002	1
	*	CARBURETOR BODY SUB ASSY	20011-81020	1
7- 1	**	BODY CAP	20000-81130	1
7- 2	**	SPRING	20011-81140	1
7- 3	**	SPRING RECEIVE	20000-81150	1
7- 4	**	JET NEEDLE	20000-81170	1
7- 5	**	THROTTLE VALVE	20011-81182	1
7- 6	**	BODY, carburetor	20011-81211	1
7- 7	**	SLOW STOP SCREW	20000-81310	1
7- 8	**	SPRING	20000-81320	1
7- 9	**	SLOW AIR SCREW	20000-81330	1
7-10	**	SPRING	20000-81340	1
7-11	**	MAIN ADJUST SCREW	20011-81350	1
7-12	**	SPRING, adjust	20011-81360	1
7-13	**	NEEDLE JET	20011-81410	1
7-14	**	HOLDER	20011-81420	1
7-15	**	SPRING	20011-81430	1
7-16	**	NEEDLE VALVE	20000-81441	1
7-17	**	LEVER	20011-81450	1
7-18	**	PIN	20011-81460	1
7-19	**	SCREW	20011-81470	1
7-20	**	GASKET	20011-81510	1
7-21	**	DIAPHRAGM	20011-81520	1
7-22	**	COVER, diaphragm	20011-81530	1
7-23	**	SCREW	20000-81540	4

Ref No		Part Name	Part No	Q'ty
7-24	**	OVER FLOW VALVE	20011-81550	1
7-25	**	TICKLER LEVER	20011-81562	1
7-26	**	SPRING	20011-81573	1
7-27	**	SCREW	20011-81581	1
7-28	**	COLLAR	20011-81590	1
7-29	**	PUMP VALVE	20020-81660	1
7-30	**	DIAPHRAGM	20011-81621	1
7-31	**	GASKET	20011-81630	1
7-32	**	PUMP BODY	20011-81641	1
7-33	**	SCREW	20000-81650	4
7-34	**	SPRING	20011-81680	1
	*	AIR CLEANER ASSY	20010-81701	1
7-35	**	CLEANER BODY	20010-81711	1
7-36	**	SCREW	20000-81730	2
7-37	**	FILTER	20000-81740	1
7-38	**	NET-A	20000-81750	1
7-39	**	NET-B	20010-81760	1
7-40	**	CLEANER COVER	20010-81771	1
7-41	**	SCREW	20000-81735	3
7-42	**	SPRING, net	20010-81781	1
7-43		BOLT	01020-05500	2
7-44		SPRING WASHER	01600-05131	2
		THROTTLE CABLE COMP.	20011-83100	1
7-45	*	THROTTLE CABLE	20011-83110	1
7-46	*	PIPE	20011-83120	1

<<BELGIUM-C35.000072>>

Ref No		Part Name	Part No	Q'ty
7-47	*	EARTH CORD	20011-83130	1
7-48	*	PIPE	20011-83140	1
7-49	*	CABLE CAP	20005-83160	1
7-50		PIPE	20000-83311	1
7-51		GASKET, carburetor	20011-83410	1
7-52		CLIP	20020-85540	1

Re: Fuel tank.

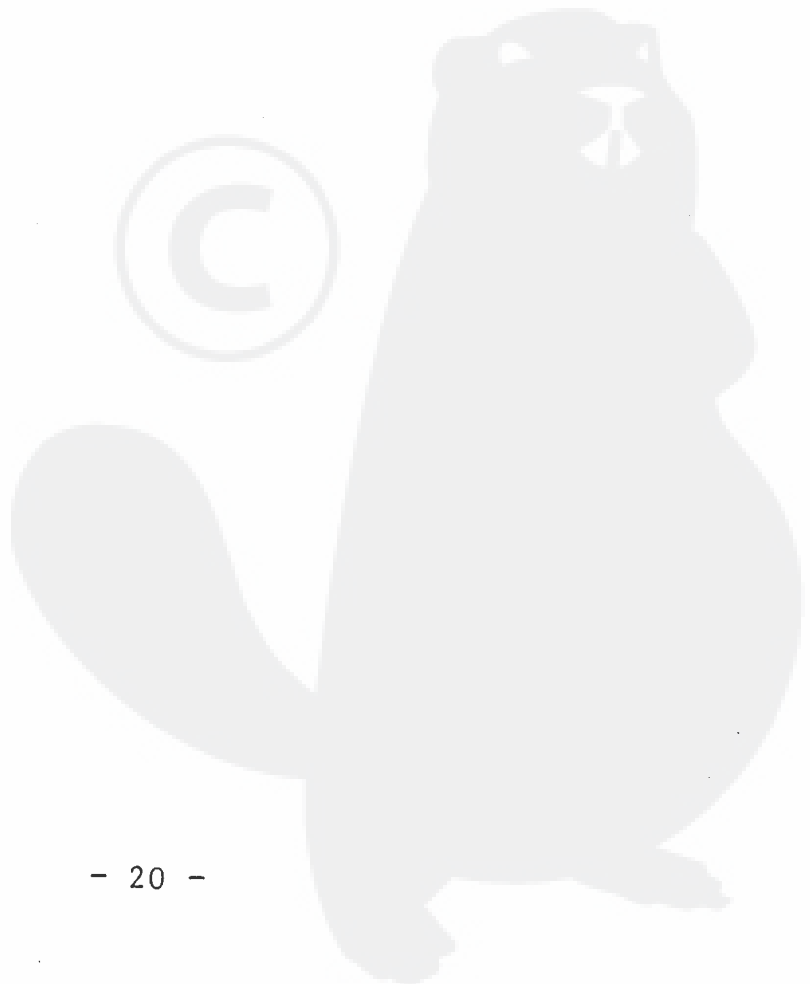


8 . F U E L T A N K

Ref No		Part Name	Part No	Q'ty
		FUEL TANK ASSY	20011-85000	1
8- 1	*	FUEL TANK	20011-85111	1
	*	FUEL CAP SUB ASSY	20000-85200	1
8- 2	**	FUEL CAP	20000-85210	1
8- 3	**	GASKET, fuel cap	20000-85220	1
	*	FUEL PIPE SUB ASSY	20000-85303	1
8- 4	**	FUEL PIPE	20000-85313	1
8- 5	**	JOINT PIPE	20000-85321	1
8- 6	**	CLAMP-A	20000-85340	1
8- 7	**	CLAMP-B	20000-85350	1
	*	FUEL FILTER SUB ASSY	20011-85400	1
8- 8	**	WEIGHT, fuel	22100-85411	1
8- 9	**	FILTER-A	22100-85420	1
8-10	**	FILTER-B	22100-85431	1
8-11	**	CHECK VALVE	20000-85440	1
8-12	**	SUCTION PIPE	20011-85450	1
8-13	**	CLIP	22102-85440	1
	*	BREATHER SUB ASSY	20000-85500	1
8-14	**	CAP, breather	20000-85511	1
8-15	**	HOLDER, valve	20000-85521	1
8-16	**	RETAINER, fuel cap	22100-85240	1
8-17	**	WASHER, fuel cap	22100-85250	1
8-18	**	VALVE, fuel cap	22100-85260	1
8-19	*	GROMMET, breather	20000-85579	1
8-20		BRACKET-S	20021-86110	1

<<BELGIUM-C35.000081>>

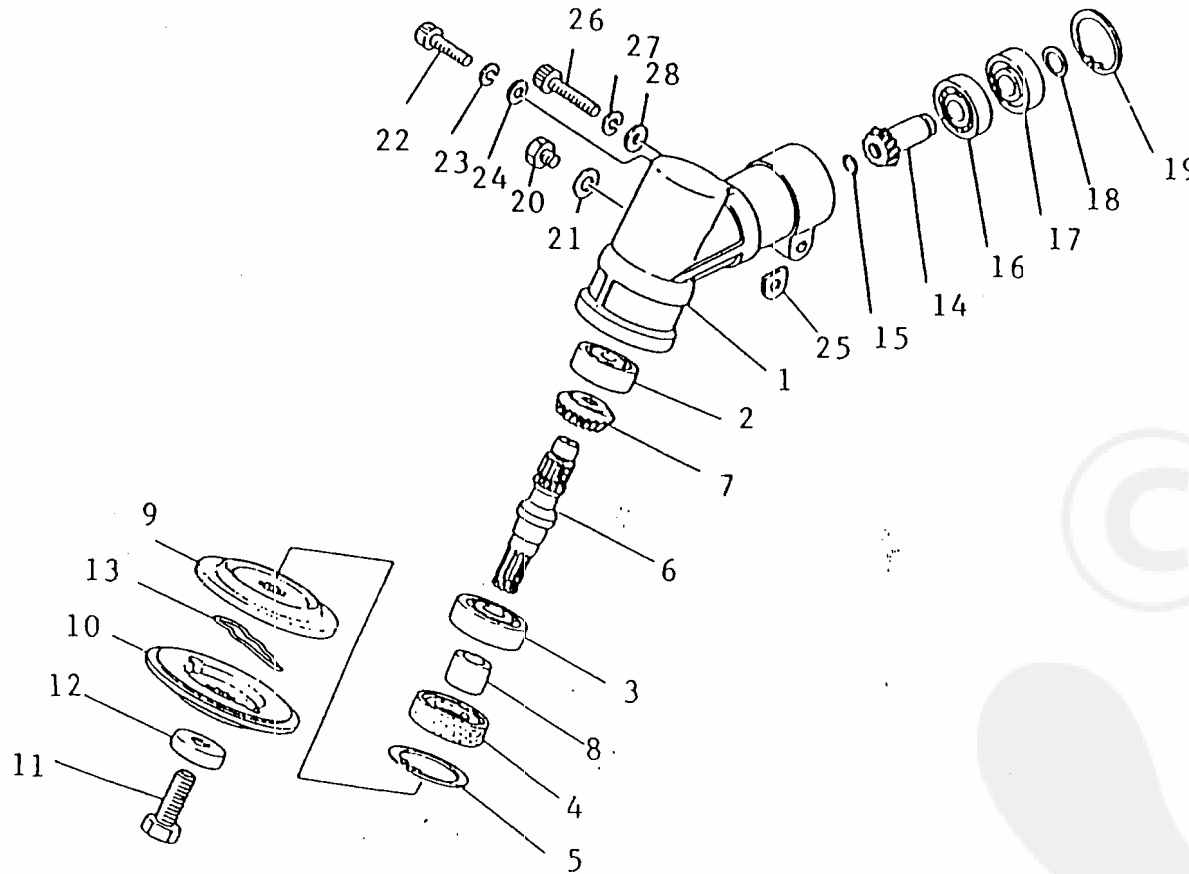
Ref No	Part Name	Part No	Qty
8-21	BRACKET-M	20011-86120	1
8-22	CUSHION	20010-86130	4
8-23	BAND	20010-86140	2



9. OUTER PIPE

Ref No	Part Name	Part No	Qty
	OUTER PIPE ASSY	22017-12100	1
9- 1 *	OUTER PIPE	22017-12110	1
9- 2 *	BUSHING	22015-12120	5
9- 3	SWIVEL HANGER	22017-12210	1
9- 4	BOLT	01020-05120	1
9- 5	SPRING WASHER	01600-05131	1
9- 6	NUT	01500-05041	1
9- 7	MAIN SHAFT	22017-12410	1
9- 8	LABEL, caution	19402-00024	1
9- 9	NAME PLATE	72005-12510	1
9-10	CAUTION PLATE	72017-12520	1
9-11	CAUTION PLATE	72005-12140	1
9-12	HANDLE LABEL	72017-12150	1

Re: Gear case

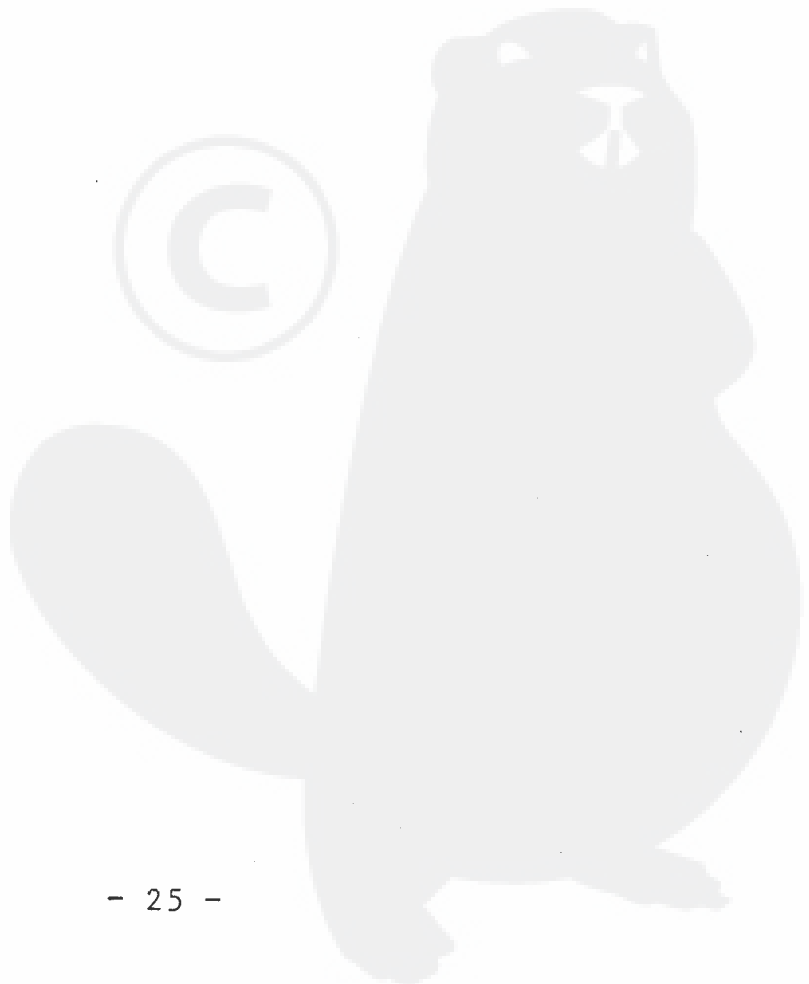


<<BELGIUM-C35.00u100>>

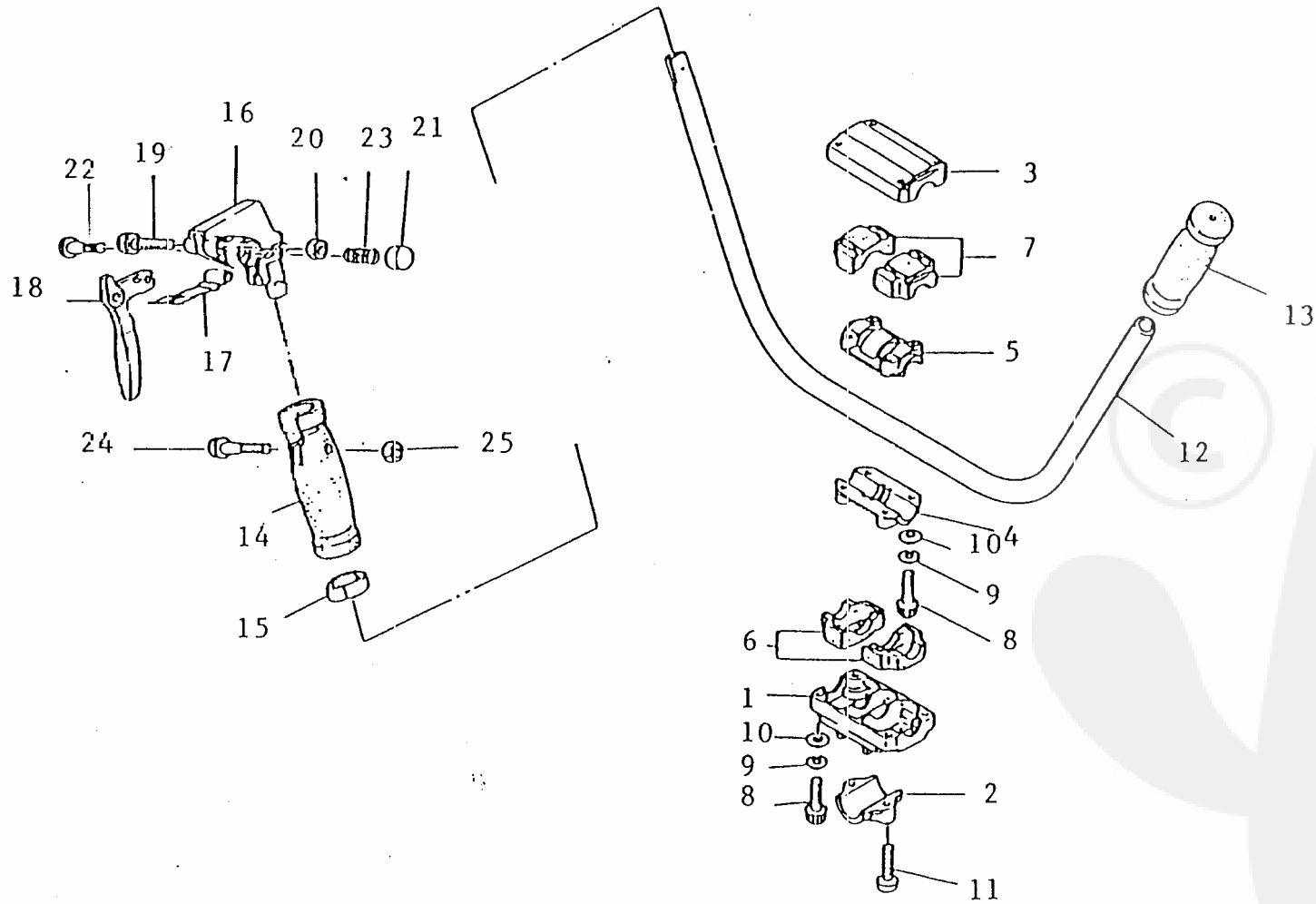
1 0 . G E A R C A S E

Ref No		Part Name	Part No	Q'ty
		GEAR CASE ASSY	72017-13000	1
10- 1	*	GEAR CASE	72017-13110	1
10- 2	*	BEARING	02006-06000	1
10- 3	*	BEARING	02000-06202	1
10- 4	*	OIL SEAL	22015-13120	1
10- 5	*	SNAP RING	02432-35150	1
10- 6	*	GEAR SHAFT	22015-13210	1
10- 7	*	BEVEL GEAR	22015-13220	1
10- 8	*	COLLAR	22015-13230	1
10- 9	*	HOLDER-A	22015-13240	1
10-10	*	HOLDER-B	22015-13250	1
10-11	*	BOLT	22015-13260	1
10-12	*	BOLT GUARD	22015-13270	1
10-13	*	SLIDE PIN	22015-13290	1
	*	BEVEL PINION SET	22015-13390	1
10-14	**	BEVEL PINION	22015-13310	1
10-15	**	SNAP RING	20011-31220	1
10-16	*	BEARING	02000-06001	1
10-17	*	BEARING	02002-06001	1
10-18	*	SNAP RING	20000-31140	1
10-19	*	SNAP RING	02432-28120	1
10-20	*	BOLT	22015-13410	1
10-21	*	GASKET	22015-13420	1
10-22	*	BOLT	01020-06120	1
10-23	*	SPRING WASHER	01600-06151	1

Ref No		Part Name	Part No	Qty
10-24	*	WASHER	01610-06080	1
10-25	*	SHIM	22011-13450	1
10-26	*	BOLT	01020-06280	1
10-27	*	SPRING WASHER	01600-06151	1
10-28	*	WASHER	01610-06080	1



Re: Handle



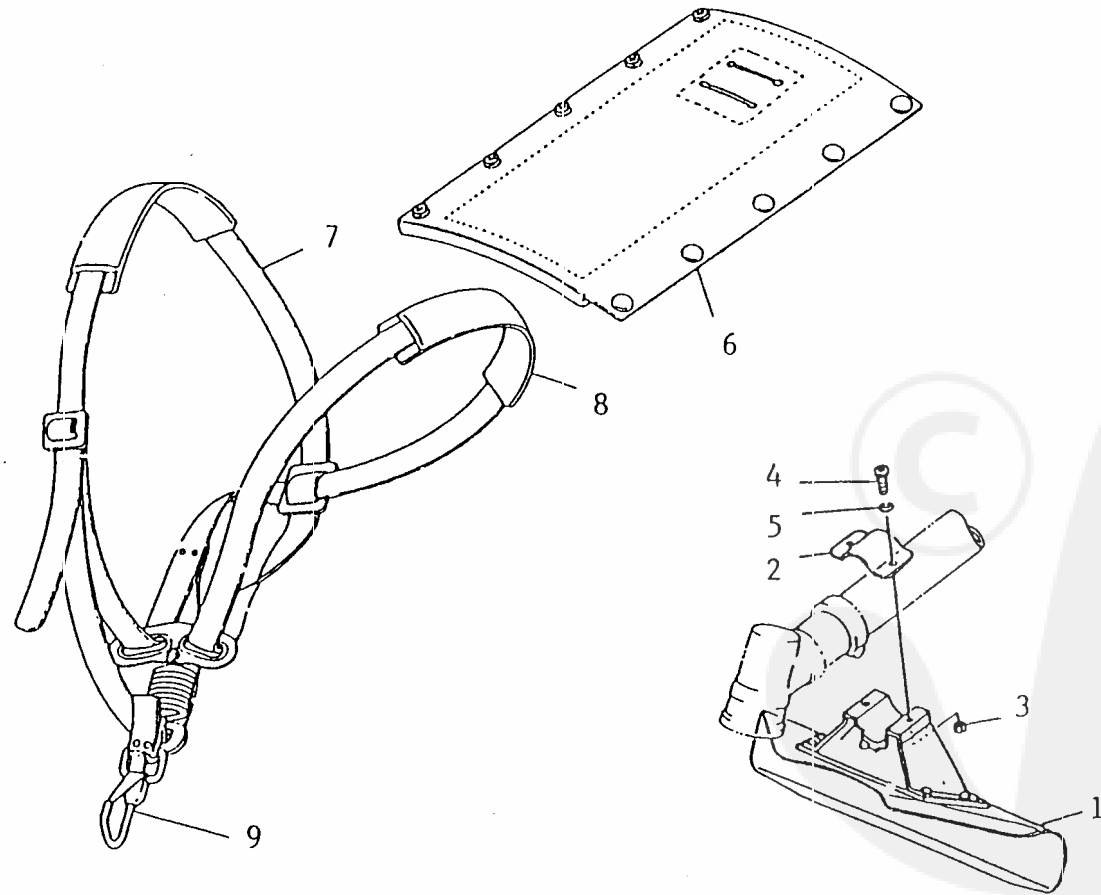
1 1 . H A N D L E

Ref No		Part Name	Part No	Q'ty
		HANDLE ASSY	72020-14000	1
	*	BRACKET COMP.	72017-14100	1
11- 1	**	BRACKET, handle	72017-14110	1
11- 2	**	LOWER CAP	72017-14120	1
11- 3	**	UPPER CAP	72017-14130	1
11- 4	**	LOWER CLAMP	22015-14140	1
11- 5	**	UPPER CLAMP	22015-14150	1
11- 6	**	LOWER CUSHION	22015-14160	2
11- 7	**	UPPER CUSHION	22015-14170	2
11- 8	**	BOLT	01020-05250	8
11- 9	**	SPRING WASHER	01600-05131	8
11-10	**	WASHER	01610-05080	8
11-11	**	SCREW	11210-06250	2
	*	HANDLE COMP.	22020-14200	1
11-12	**	HANDLE	22020-14210	1
11-13	**	RIGHT GRIP	22015-14220	1
11-14	**	LEFT GRIP	22015-14230	1
11-15	**	CABLE HOLDER	22015-14290	1
	*	LEVER COMP.	22015-14301	1
11-16	**	THROTTLE BODY	22015-14311	1
11-17	**	LEVER STOPPER	22015-14321	1
11-18	**	LEVER	22015-14331	1
11-19	**	BOLT	22015-14340	1
11-20	**	LOCK NUT	22015-14350	1
11-21	**	LOCK KNOB	22015-14360	1

Ref No		Part Name	Part No	Q'ty
11-22	**	LOCK PIN	22015-14370	1
11-23	**	LOCK SPRING	22015-14380	1
11-24	**	BOLT	01020-04240	1
11-25	**	NYLON NUT	22015-14390	1

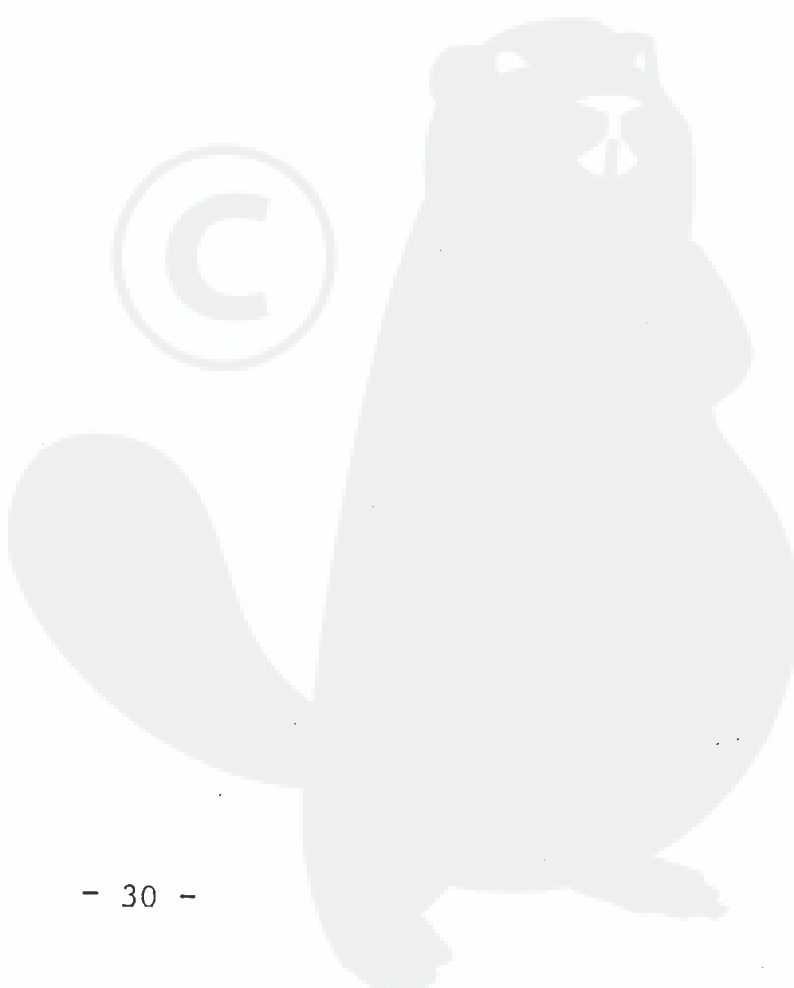


Re: Guard, Harness

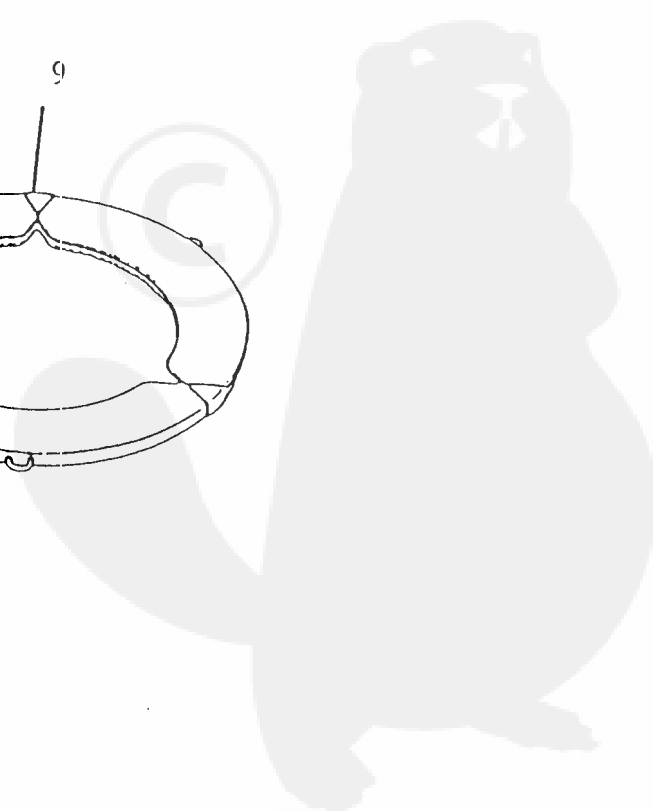
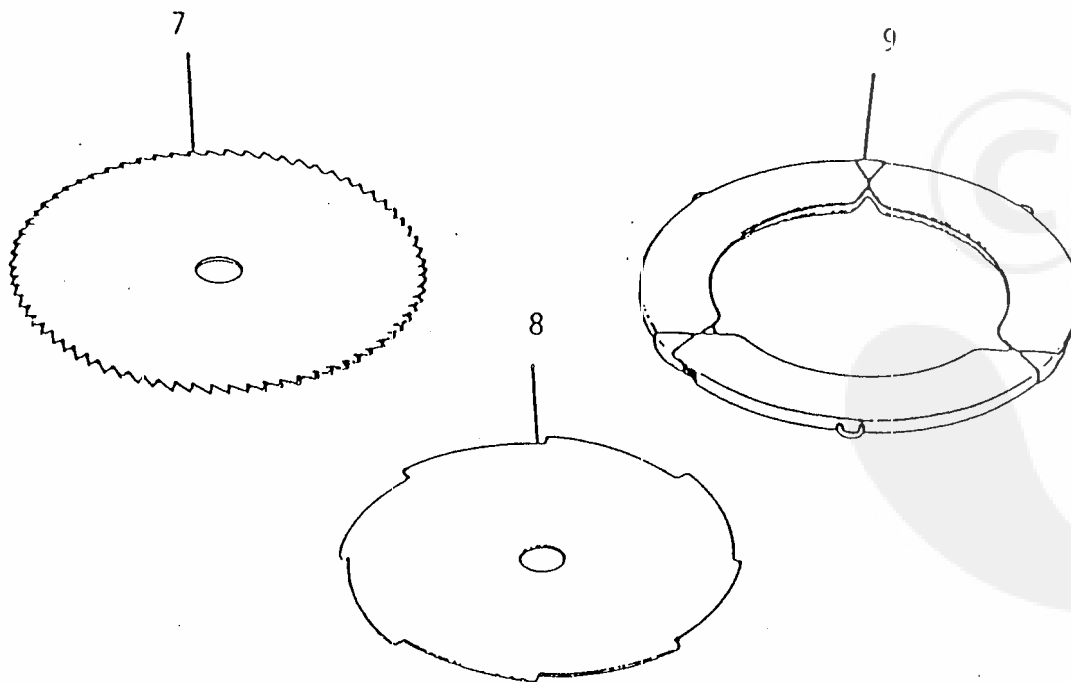
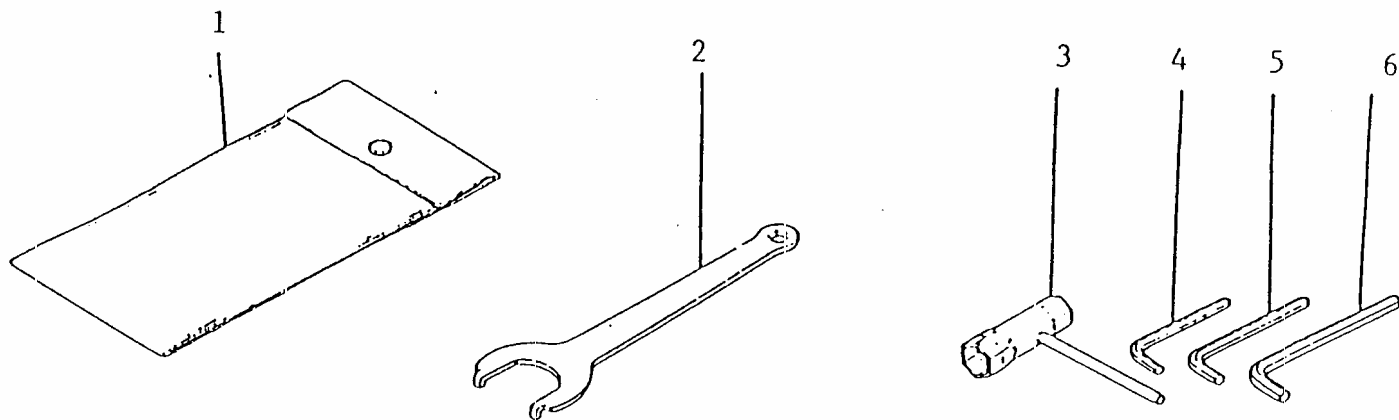


1 2 . G U A R D
H A R N E S S

Ref No	Part Name	Part No	q'ty
	GUARD ASSY	22011-16109	1
12- 1 *	GUARD	22011-16119	1
12- 2 *	GUARD CLAMP	22000-16129	1
12- 3 *	NUT	01500-05041	2
12- 4 *	BOLT	01020-05160	2
12- 5 *	SPRING WASHER	01600-05131	2
12- 6	PROTECTOR	22017-17110	1
12- 7	HARNES ASSY	72017-17200	1
12- 8 *	PROTECTOR	22011-17220	2
12- 9 *	HOOK	22020-17130	1



Re: Tool set



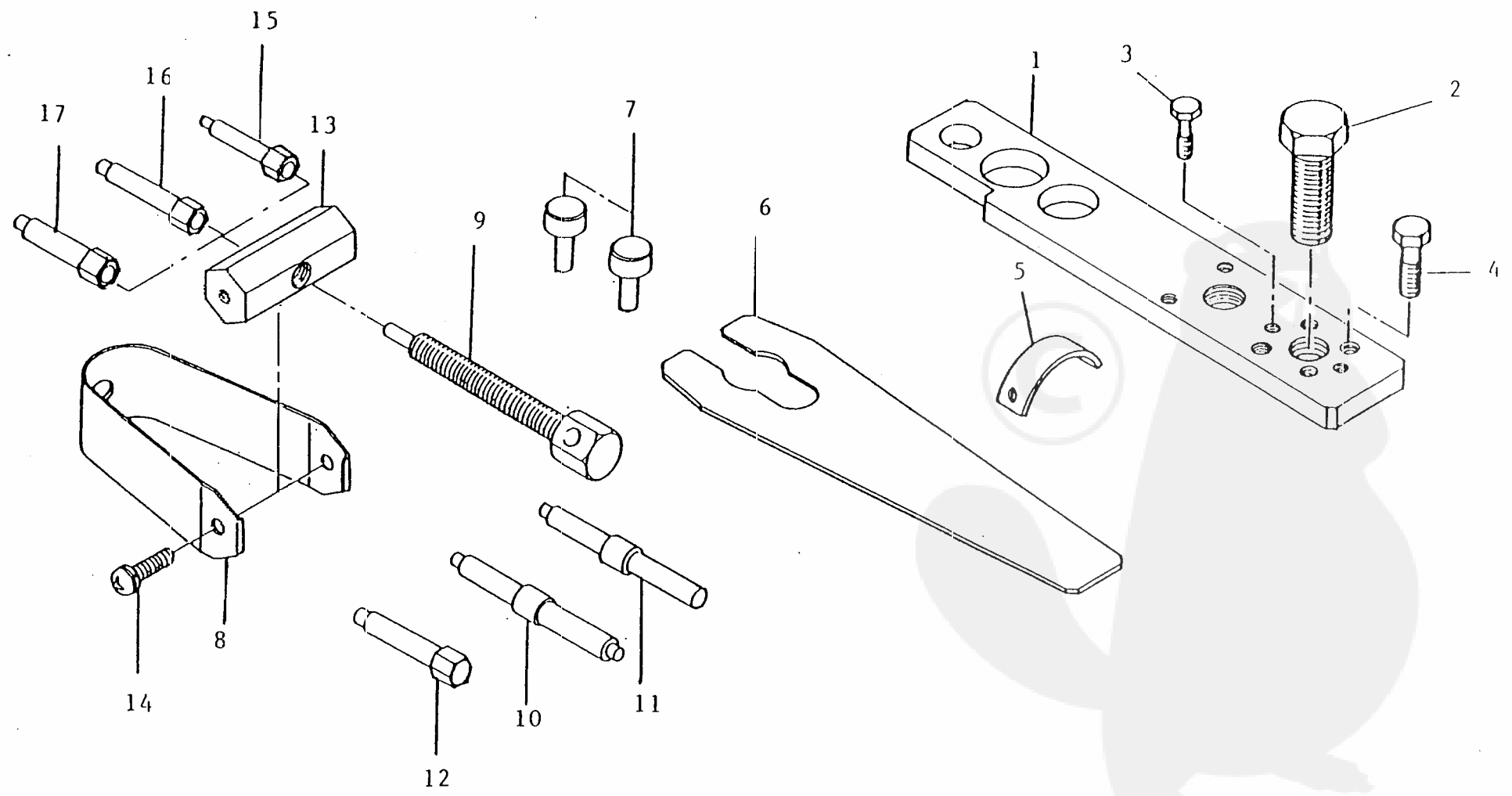
<<BELGIUM-C35.000. J>>

13. TOOL SET

Ref No		Part Name	Part No	Q'ty
		TOOL SET	72017-91000	1
13- 1	*	TOOL BAG	72017-91110	1
13- 2	*	SPANNER-D	22011-97130	1
13- 3	*	PLUG WRENCH	22015-91180	1
13- 4	*	WRENCH 3	22100-91551	1
13- 5	*	WRENCH 4	22100-91561	1
13- 6	*	WRENCH 5	22011-91570	1
13- 7		CIRCULAR SAW ϕ 255	72001-92135	1
13- 8		EDDY SAW ϕ 255	22000-92145	1
13- 9		COVER	22000-92610	1

Re: Option tool set

- 33 -



14. OPTIONAL TOOL SET

Ref No		Part Name	Part No	Q'ty
		OPTION TOOL SET	20021-96000	1
	*	PULLER ASSY	20000-96103	1
14- 1	**	LEVER	20000-96113	1
14- 2	**	CENTER BOLT	22100-96121	1
14- 3	**	BOLT	20000-96130	3
14- 4	**	BOLT	20000-96140	2
14- 5	*	AIR GAP GAUGE	20000-96210	1
14- 6	*	ROTOR SPANNER	20000-96411	1
14- 7	*	STOPPER	20021-96420	2
	*	PULLER ASSY	20021-96600	1
14- 8	**	PULLER	20021-96610	1
14- 9	**	BOLT	20021-96620	1
14-10	**	GUIDE PIN	20000-96631	1
14-11	**	GUIDE PIN	20035-96630	1
14-12	**	GUIDE PIN	20021-96630	1
14-13	**	BOSS	20000-96640	1
14-14	**	SCREW	01211-06120	2
14-15	**	PIN ADAPTER	20021-96650	1
14-16	**	PIN ADAPTER	20021-96660	1
14-17	**	PIN ADAPTER	20021-96670	1

Re: Option tool set

- 35 -

