

shindaiwa

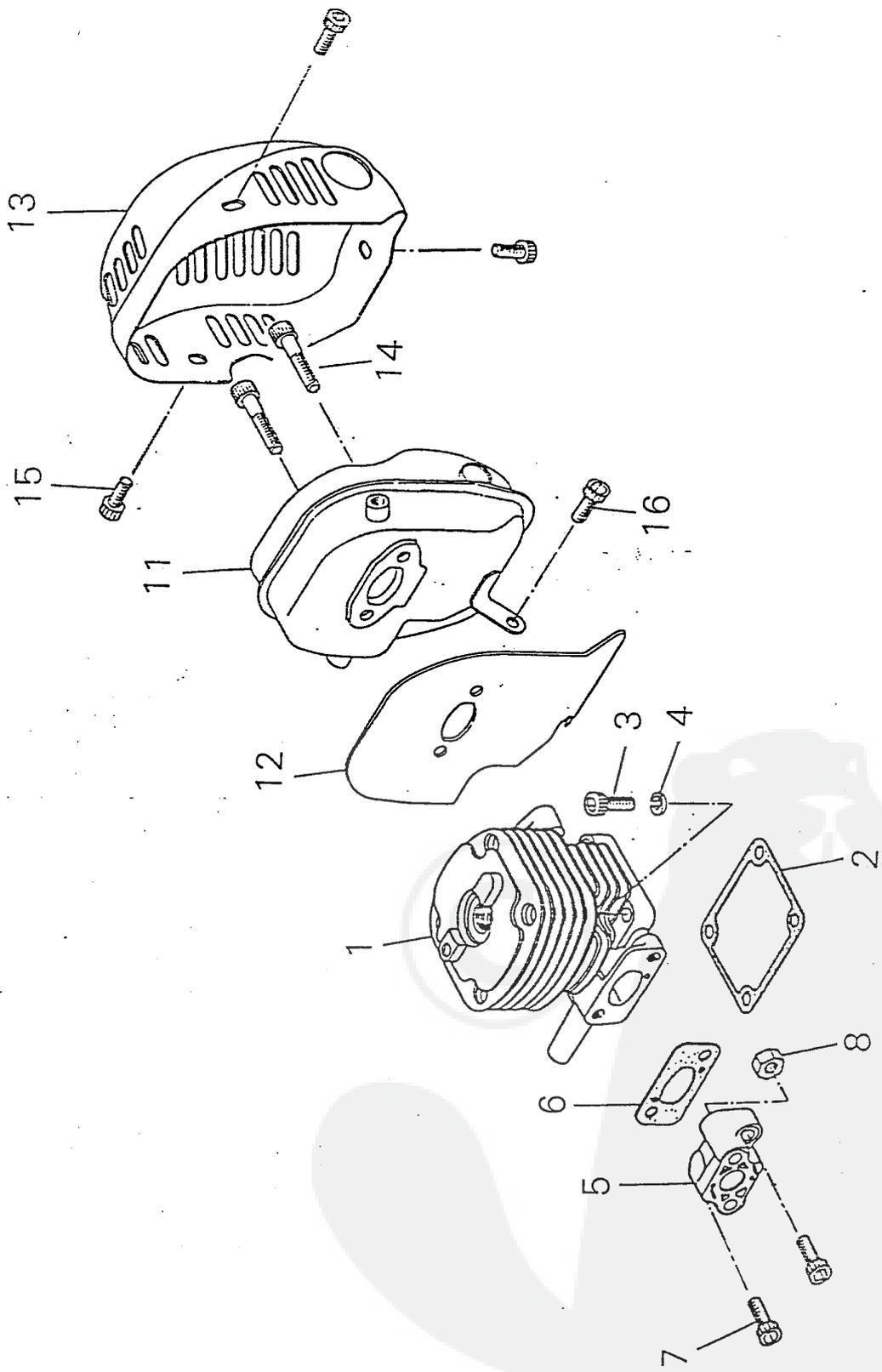
PARTS PRICE LIST

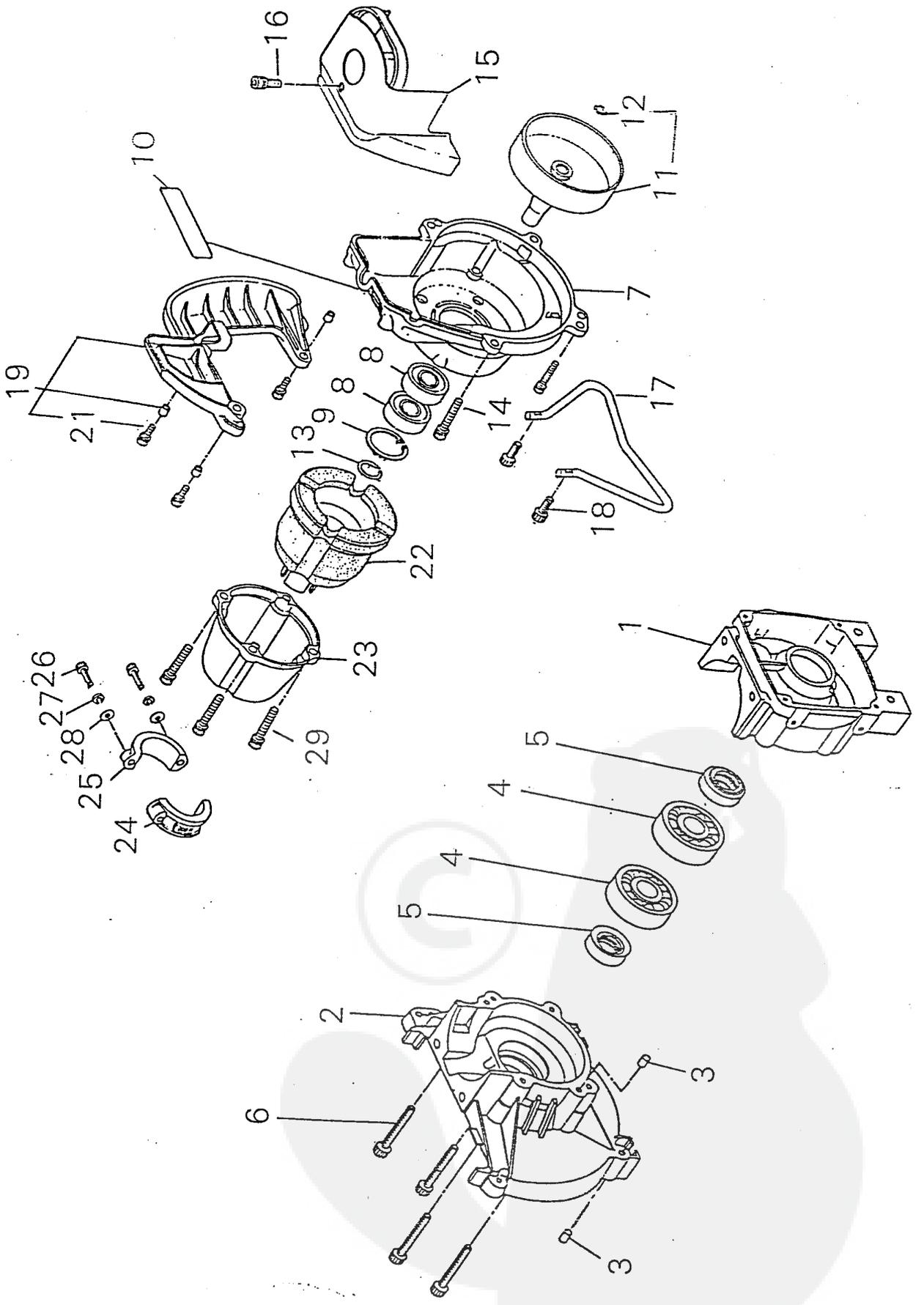
C 3 5

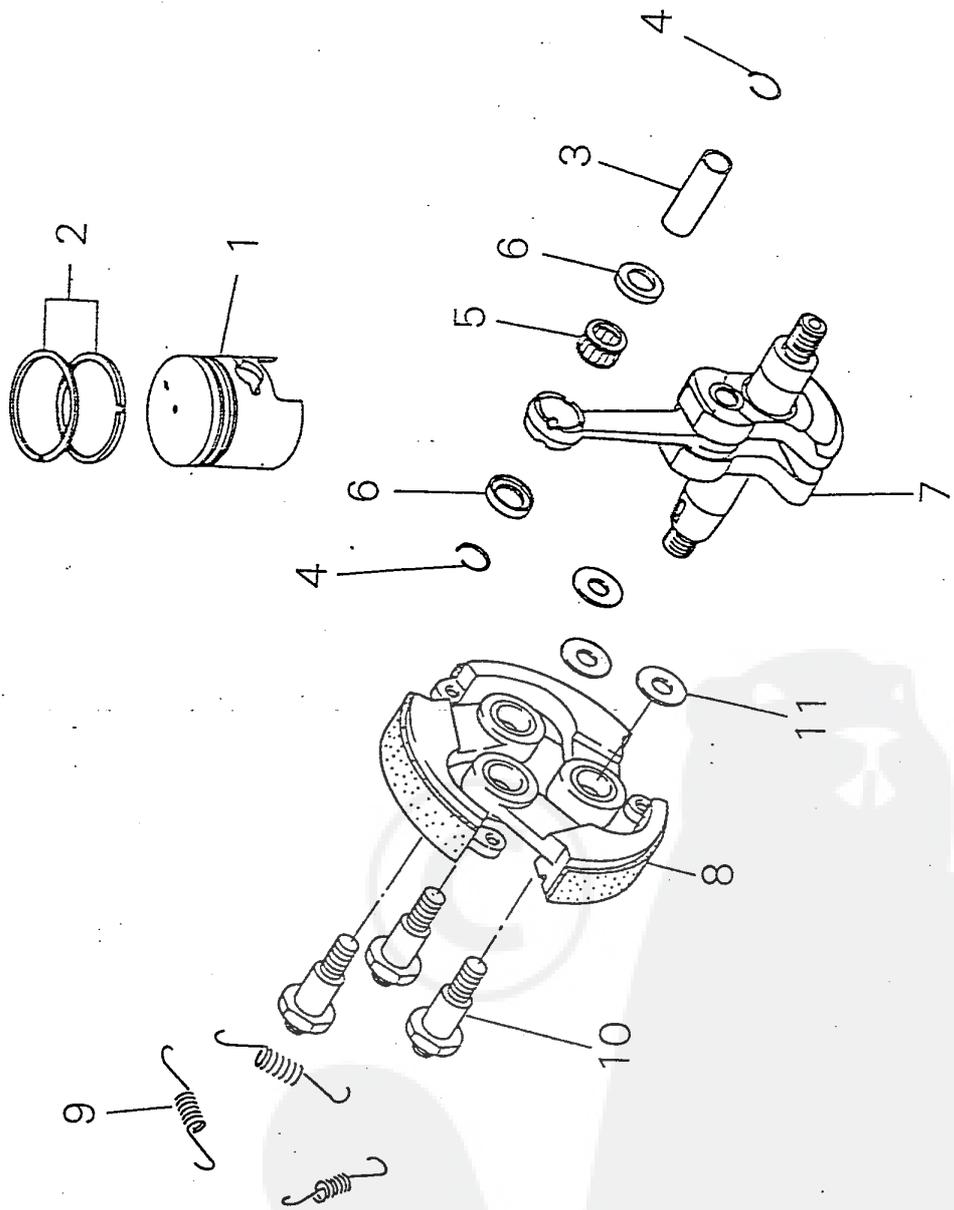
SHIN-DAIWA KOGYO CO., LTD.

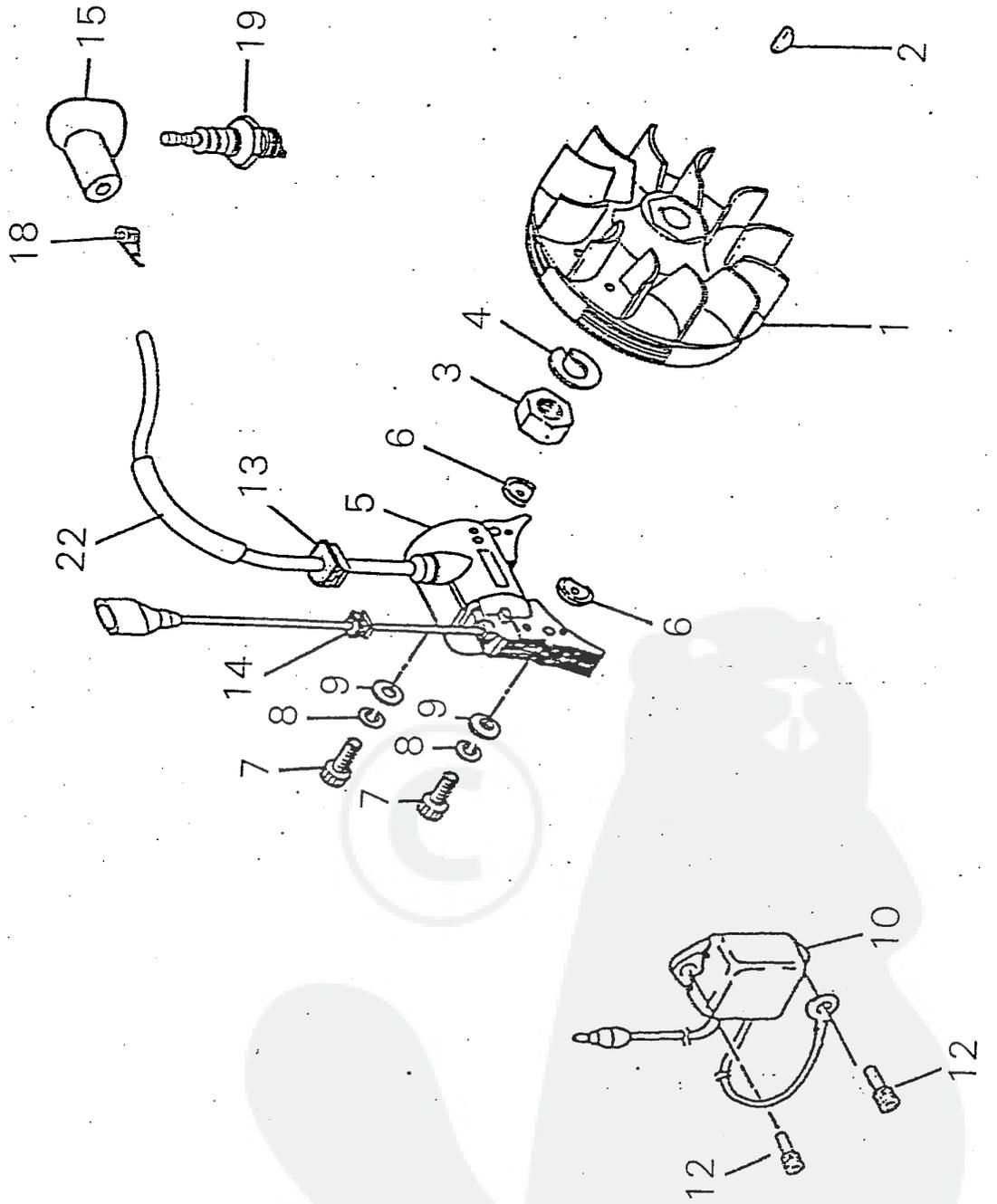
35, Ooaza Shin-Ujigami, Chiyoda-cho Yamagata-gun, Hiroshima, 731-14 Japan
Telephone (082672) 6011 Telex 665871 SDKHIR Fax (082672) 6001, 6002
Cable Address SHINDAIWA HIROSHIMA

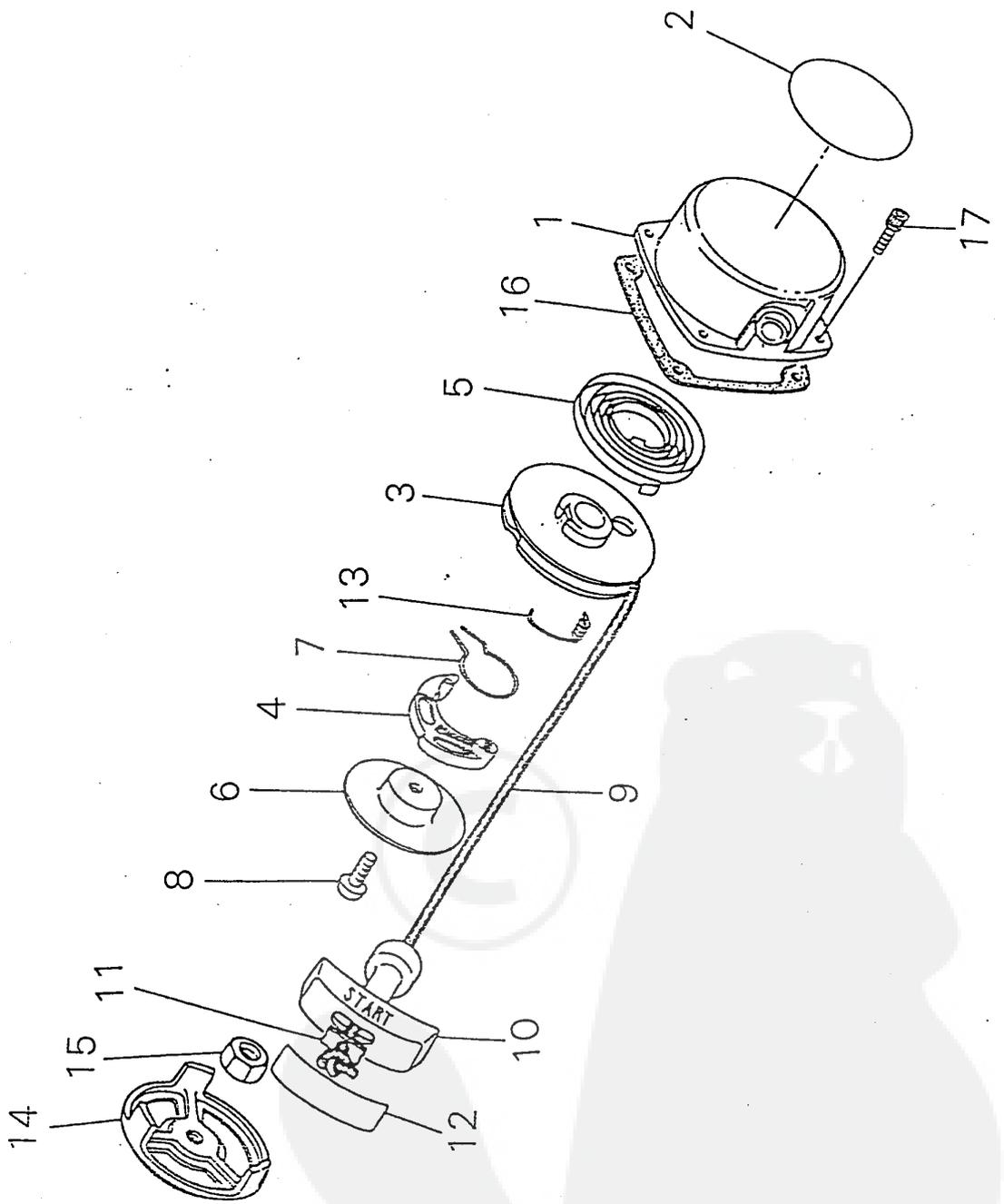
JUN. 19. 1991

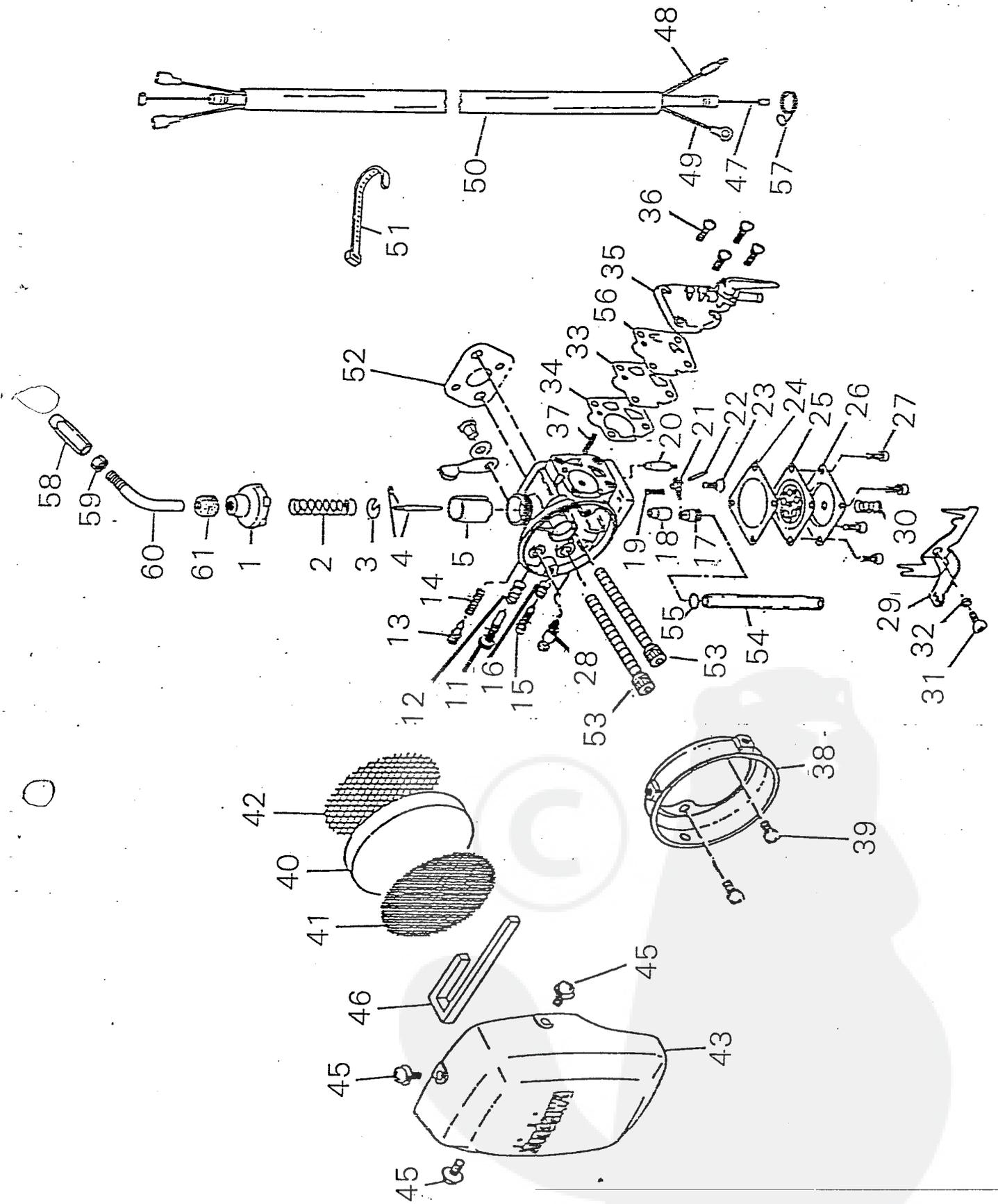












PRICE:(ST)

Ref. No	Part No.	Part Name	Q'ty	Unit Price	Remarks
6-	70107-81000	CARBURETOR ASSY	1		
	70107-81010	• CARBURETOR SUB ASSY	1		
58	20055-81810	•• CABLE ADJUSTER	1		
59	20000-81260	•• LOCK NUT	1		
60	70107-81830	•• ADJUST PIPE	1		
1	20055-81120	•• BODY CAP	1		
61	20055-81130	•• CAP	1		
2	20011-81140	•• SPRING	1		
3	20000-81150	•• SPRING RECEIVE	1		
4	20000-81170	•• JET NEEDLE	1		
5	20011-81182	•• THROTTLE VALVE	1		
11	20000-81310	•• SLOW STOP SCREW	1		
12	20000-81320	•• SPRING	1		
13	20000-81330	•• SLOW AIR SCREW	1		
14	20000-81340	•• SPRING	1		
15	20011-81351	•• ADJUST SCREW	1		
16	20011-81360	•• SPRING	1		
17	20011-81410	•• NEEDLE JET	1		
18	20011-81420	•• HOLDER	1		
19	20011-81430	•• SPRING	1		
20	20000-81441	•• NEEDLE VALVE	1		
21	20011-81450	•• LEVER	1		
22	20011-81460	•• PIN	1		
23	20011-81470	•• SCREW	1		
24	20011-81510	•• GASKET	1		
25	20011-81520	•• DIAPHRAGM	1		
26	20011-81530	•• COVER DIAPHRAGM	1		
27	20000-81540	•• SCREW	4		
28	20011-81550	•• ORVER FLOW VALVE	1		
29	20011-81563	•• TICKLER LEVER	1		
30	20011-81573	•• SPRING	1		
31	20011-81581	•• SCREW	1		
32	20011-81590	•• COLLAR	1		
56	20020-81660	•• PUMP VALVE	1		
33	20011-81621	•• DIAPHRAGM	1		
34	20011-81630	•• GASKET	1		
35	20011-81641	•• PUMP BODY	1		
36	20000-81650	•• SCREW	4		

PARTS LIST
SHINDAIWA
(LI38 LIA0380P)

/VK

