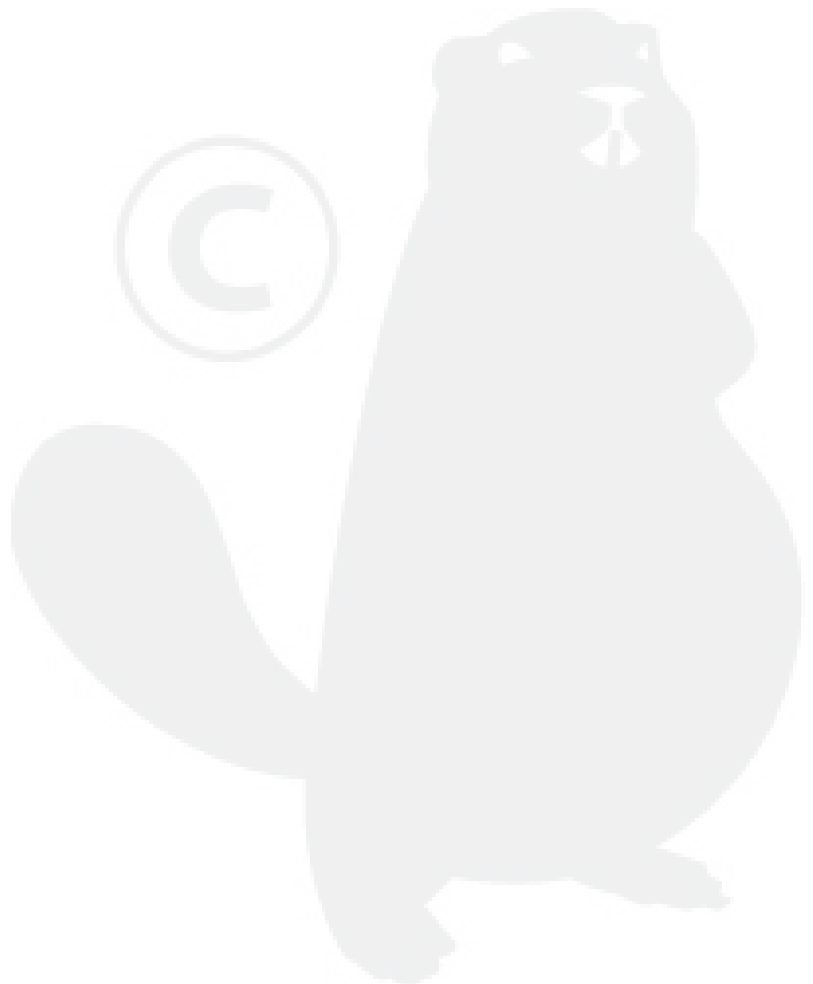
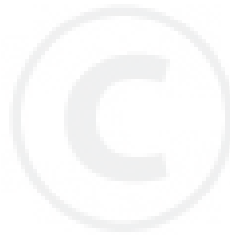
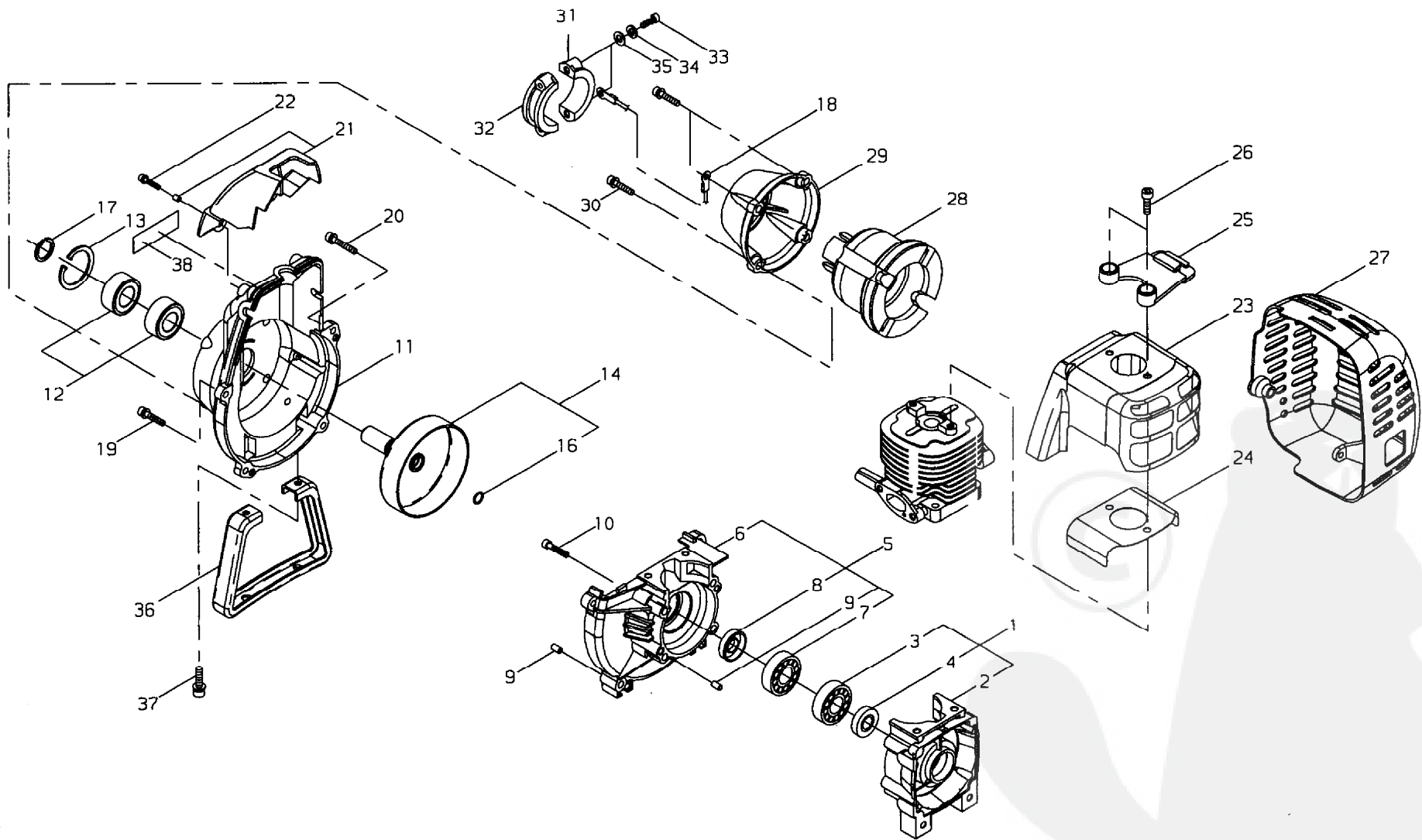
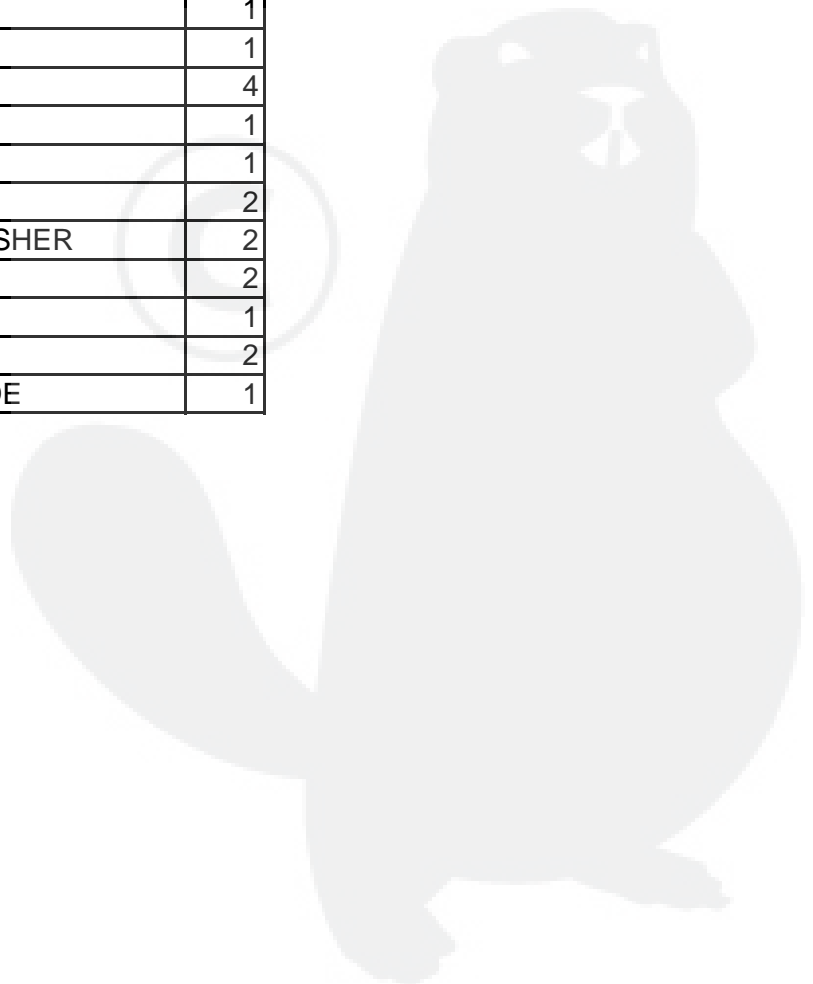


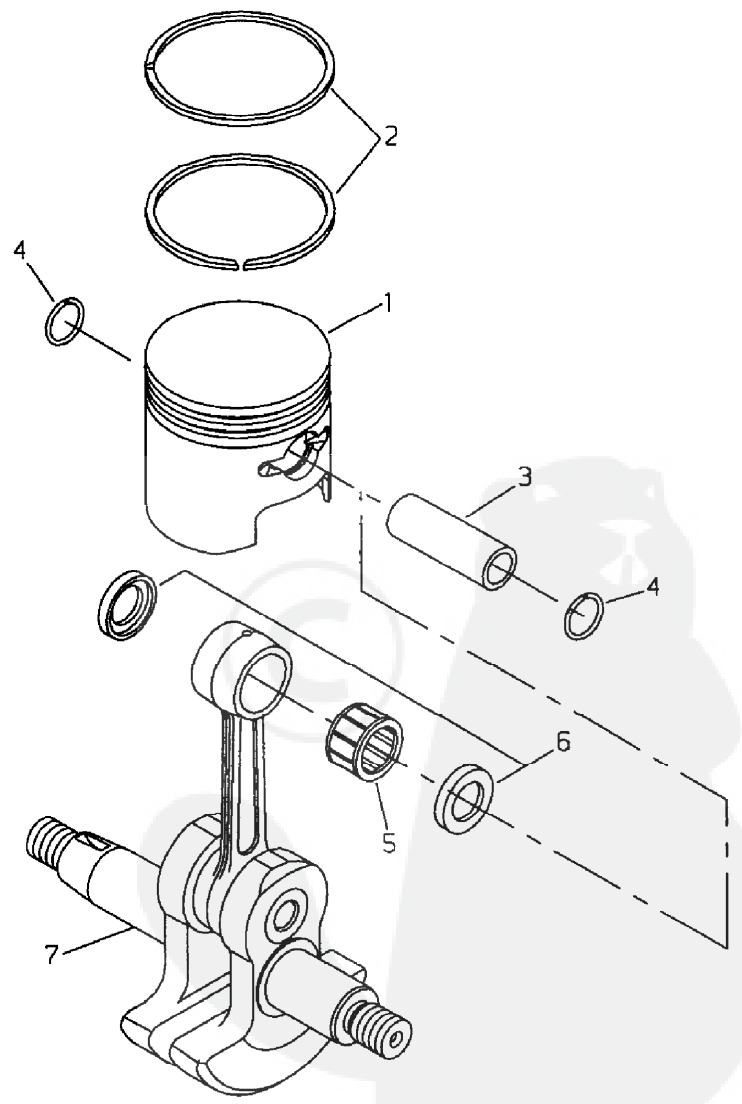
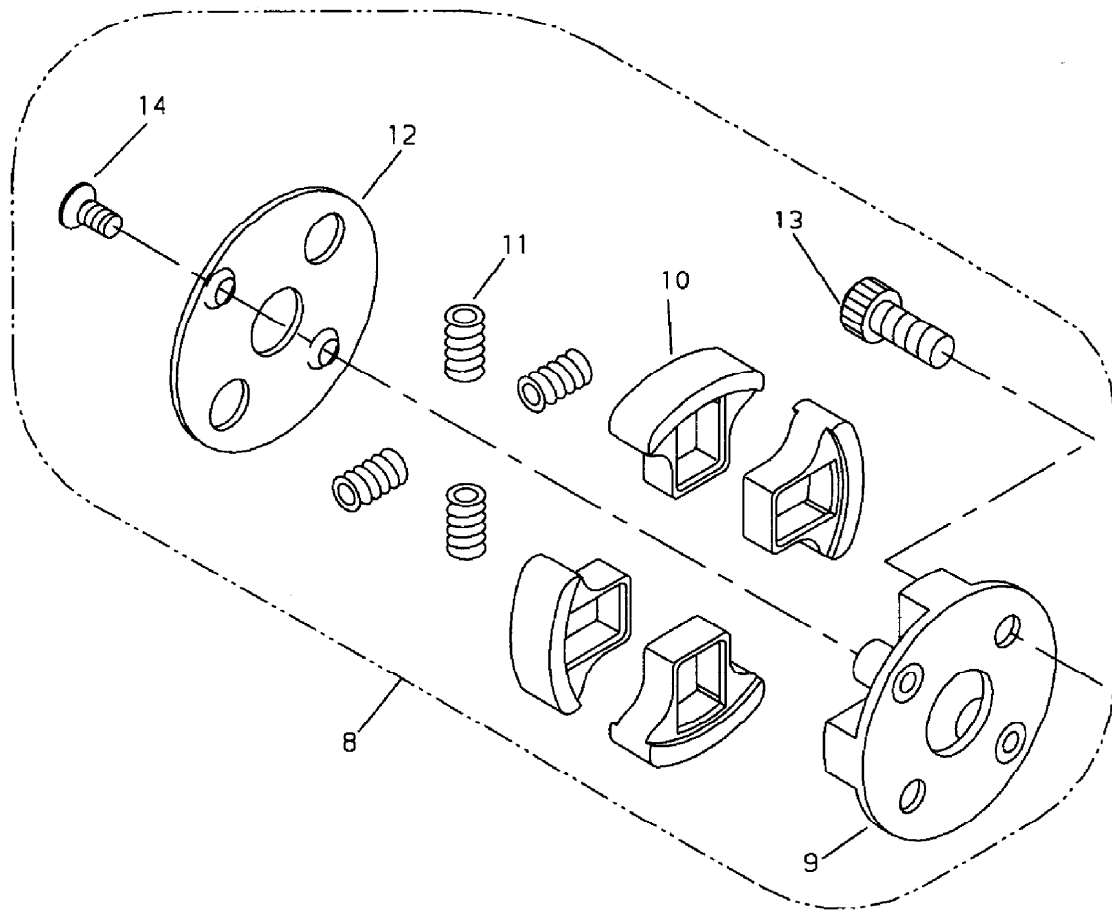
Ref. No	Part No.	Part Name	Q`ty
1- 1	70196-12110	CYLINDER	1
2	20010-12121	GASKETCYLINDER	1
3	01020-05250	BOLT	4
4	01600-05131	SPRINGWASHER	4
5	20060-12210	INSULATOR	1
6	20011-12221	GASKET	1
7	11022-05250	BOLTSPW	2
8	20024-12260	NUT	2
9	62102-15010	MUFFLERASSY	1
10	62104-15110	*MUFFLER	1
11	70200-15151	*SPARKARRESTER	1
12	62104-15210	GASKET	1
13	01020-06250	BOLT	2



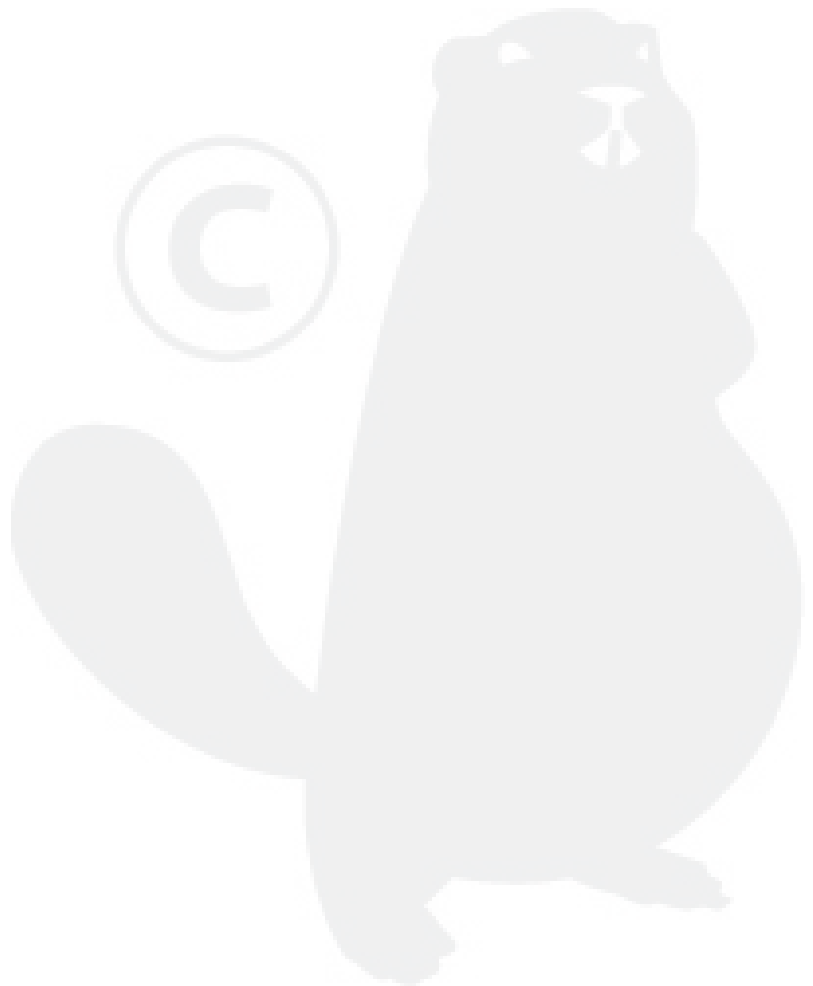


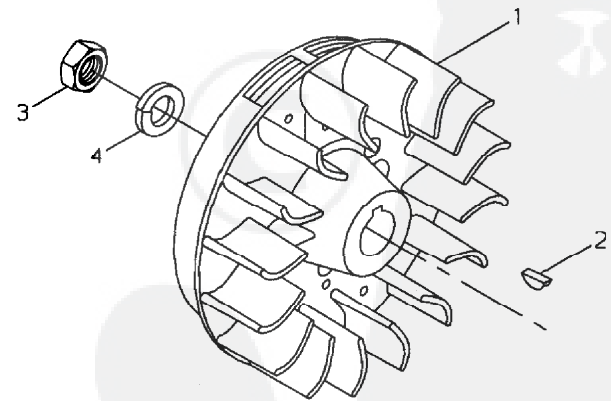
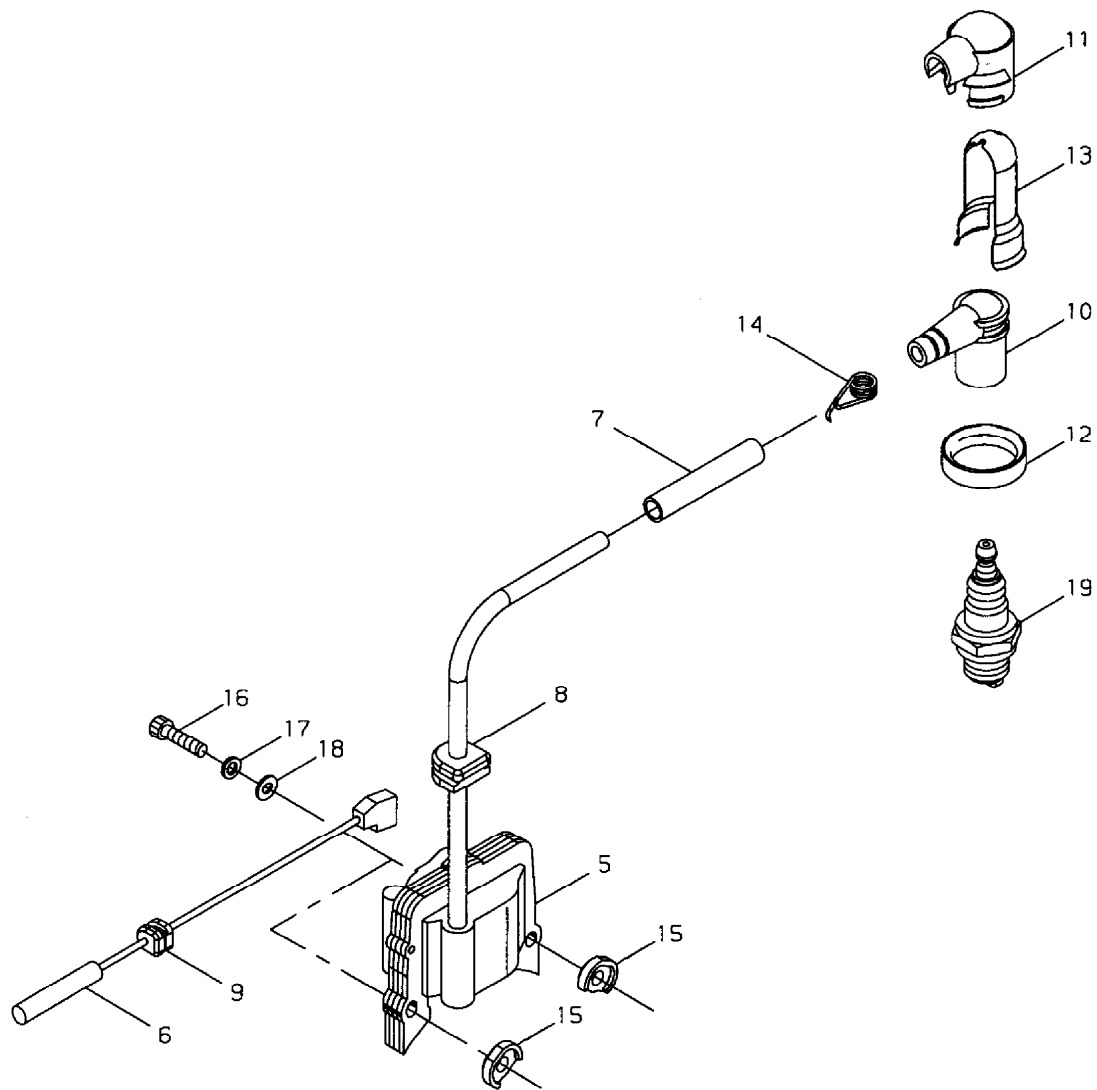
2- 1	72935-21101	CRANKCASESCOMP	1
2	72935-21111	*CRANKCASES	1
3	12900-62020	*BEARING	1
4	20010-21211	*OILSEAL	1
5	70062-21200	CRANKCASEMCOMP	1
6	72921-21121	*CRANKCASEM	1
7	12900-62020	*BEARING	1
8	20010-21211	*OILSEAL	1
9	12492-50100	*DOWELPIN	4
10	01020-05300	BOLT	4
11	70012-31111	FANCOVER	1
12	02006-06002	BEARING	2
13	02432-32120	SNAPRING	1
14	20011-31200	CLUTCHDRUMSET	1
16	20011-31220	*SNAPRING	1
17	20011-31230	SNAPRING	1
18	70192-31510	EARTHCORD	1
19	11022-05200	BOLTSPW	3
20	11022-05300	BOLTSPW	1
21	70131-34100	PROTECTORCOMP	1
22	11024-04160	BOLTSLPW	2
23	70196-32110	CYLINDERCOVER	1
24	70196-32141	GASKET	1
25	62104-32310	STAY	1
26	11022-05180	BOLTSPW	2
27	62104-32320	MUFFLERCOVER	1
28	20011-35110	JOINT	1
29	70012-35130	CAPJOINT	1
30	11022-05200	BOLTSPW	4
31	20011-35141	CLAMPA	1
32	20011-35151	CLAMPB	1
33	01020-05250	BOLT	2
34	01600-05131	SPRINGWASHER	2
35	01610-05080	WASHER	2
36	70200-33112	STAND	1
37	11022-05160	BOLTSPW	2
38	70200-31151	LABELTRADE	1





3- 1	20010-41110	PISTON	1
2	20010-41210	PISTONRING	2
3	20010-41310	PISTONPIN	1
4	22100-41230	SNAPRING	2
5	20010-41330	NEEDLEBEARING	1
6	70200-41340	THRUSTWASHER	2
7	20010-42002	CRANKSHAFTASSY	1
8	70210-51100	CLUTCHSHOEASSY	1
9	20020-51112	*CLUTCHBOSS	1
10	20020-51121	*CLUTCHSHOE	4
11	20020-51131	*SPRING	4
12	20020-51140	*PLATE	1
13	20020-51150	*CLUTCHBOLT	2
14	70210-51160	*SCREWFLAT	2

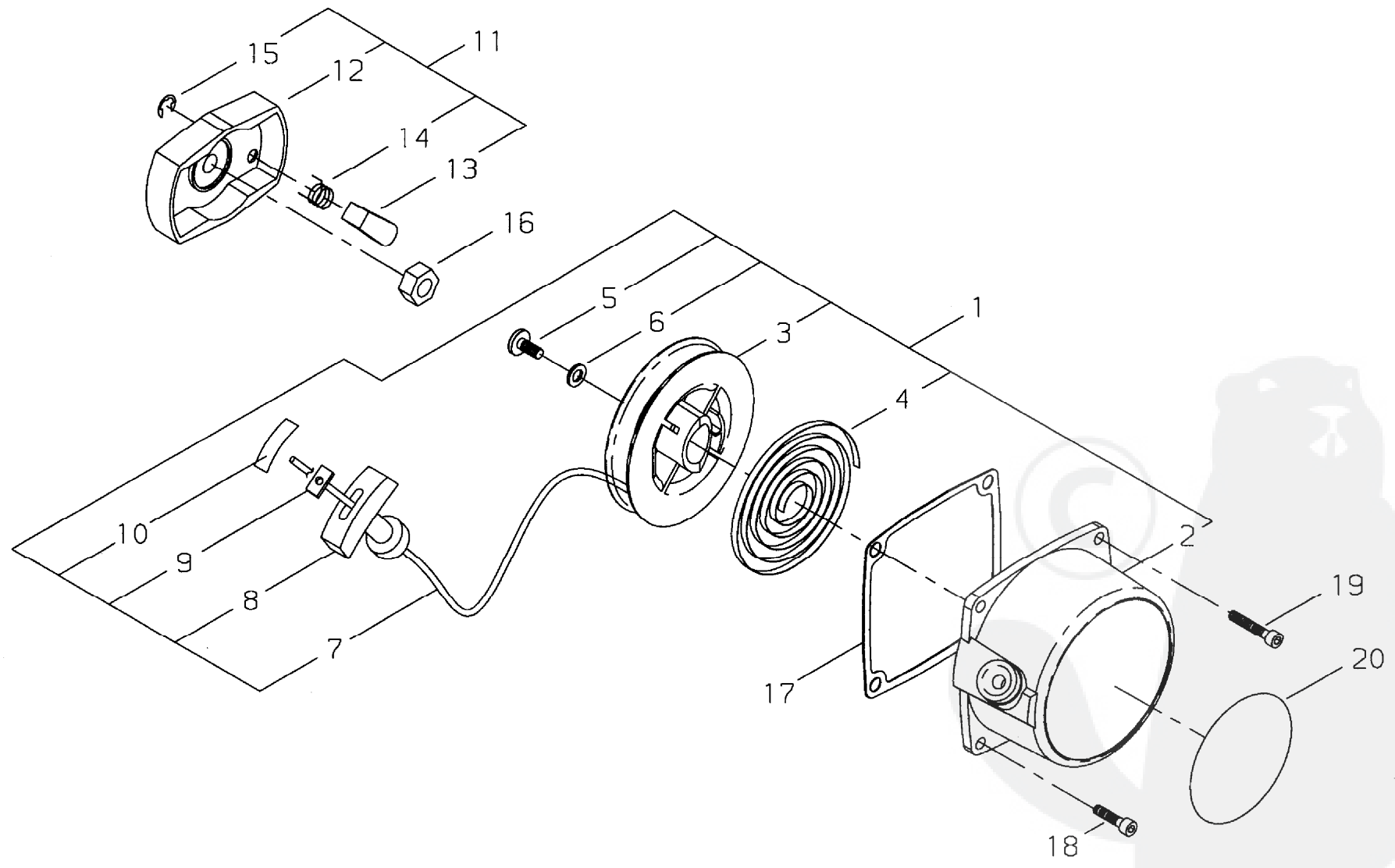




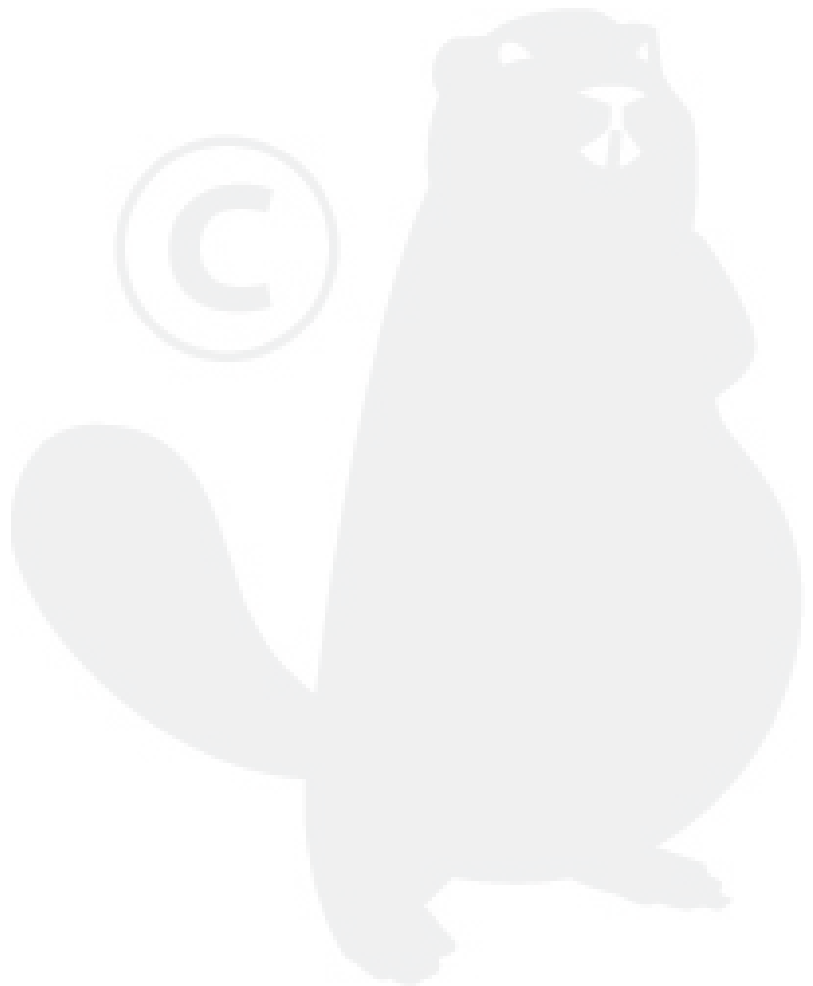
4- 1	70200-71200	ROTOR	1
2	02403-03100	KEY	1
3	01511-10061	NUT	1
4	01600-10251	SPRINGWASHER	1
5	70200-71610	COIL	1
6	70200-71640	CORD	1
7	20011-71660	TUBE	1
8	20011-72110	GROMMET	1
9	20011-72120	GROMMET	1
10	20010-72221	PLUGCAP	1
11	20000-72241	PLUGCAPCOVER	1
12	20000-72250	COVERBAND	1
13	70180-72260	SHIELD	1
14	20000-72230	SPRINGSPARKPLUG	1
15	20010-71631	SPACERCOIL	2
16	01020-04240	BOLT	2
17	01600-04101	SPRINGWASHER	2
18	20010-71650	WASHER	2
19	13000-13406	SPARKPLUGBMR6A	1

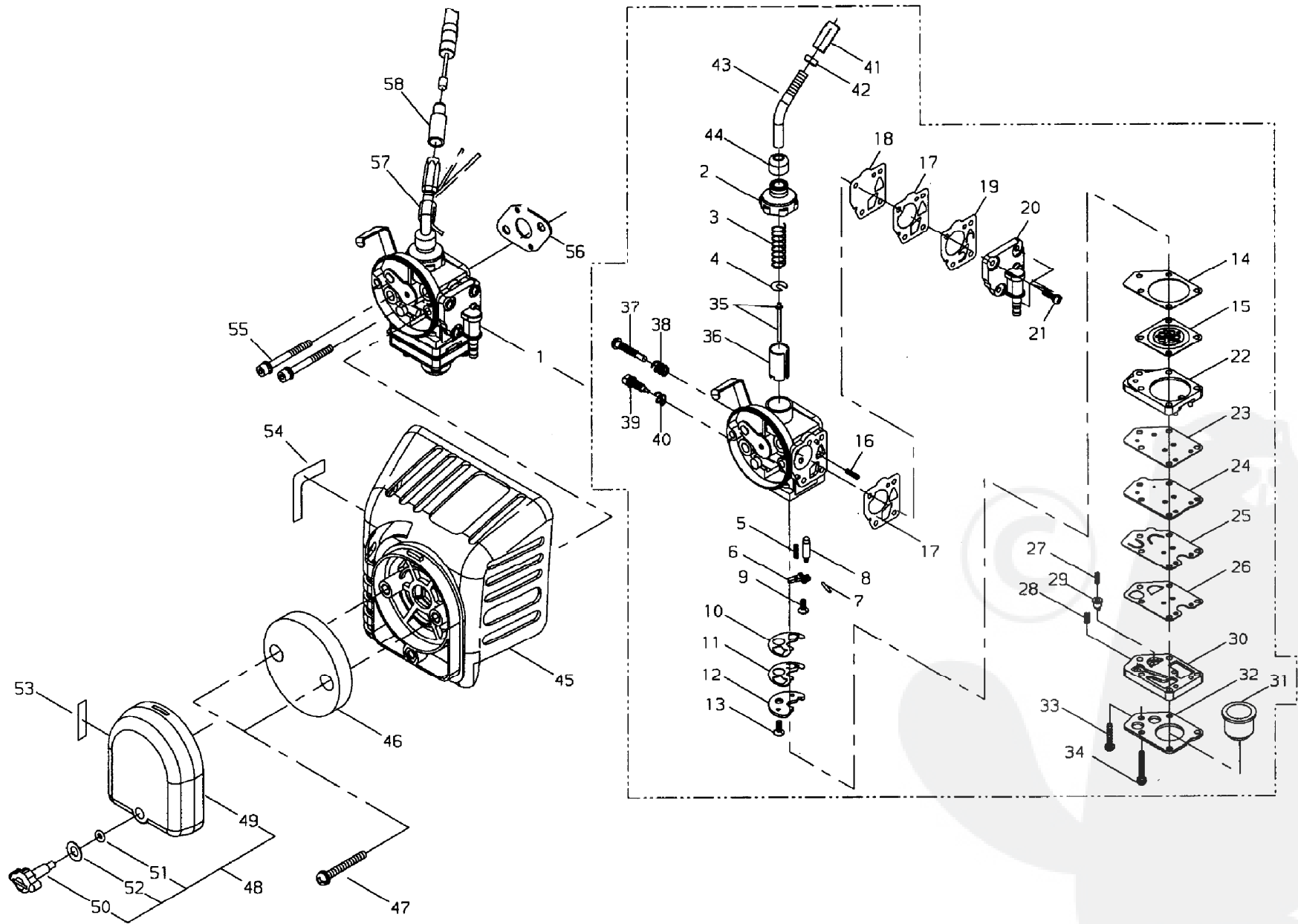






5- 1	70131-75100	RECOILSTARTERSUBASS	1
2	70131-75110	*STARTERCASE	1
3	70131-75120	*REEL	1
4	20024-75130	*RECOILSPRING	1
5	20035-75170	*SCREW	1
6	70131-75140	*WASHER	1
7	20020-75180	*ROPE	1
8	20010-75190	*STARTERKNOB	1
9	20010-75210	*STOPPER	1
10	20010-75230	*TAPE	1
11	70131-75200	STARTERPULLYASSY	1
12	70131-75211	*STARTERPULLEY	1
13	20024-75220	*RATCHET	1
14	20024-75230	*RETURNSPRING	1
15	20024-75240	*ERING	1
16	20000-76210	NUT	1
17	20020-76111	GASKETSTARTER	1
18	11022-04160	BOLTSPW	3
19	11022-04200	BOLTSPW	1
20	19420-00027	LABELTRADE	1



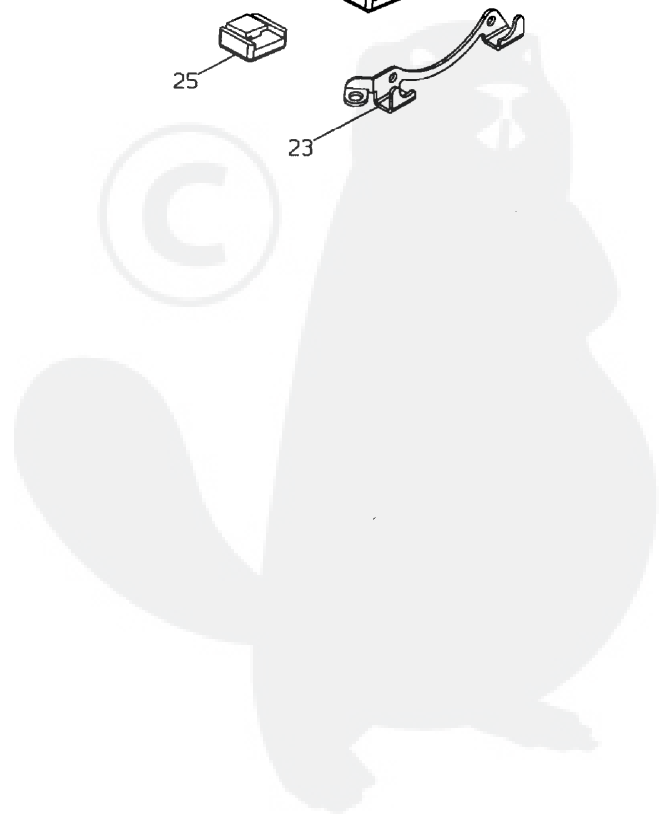
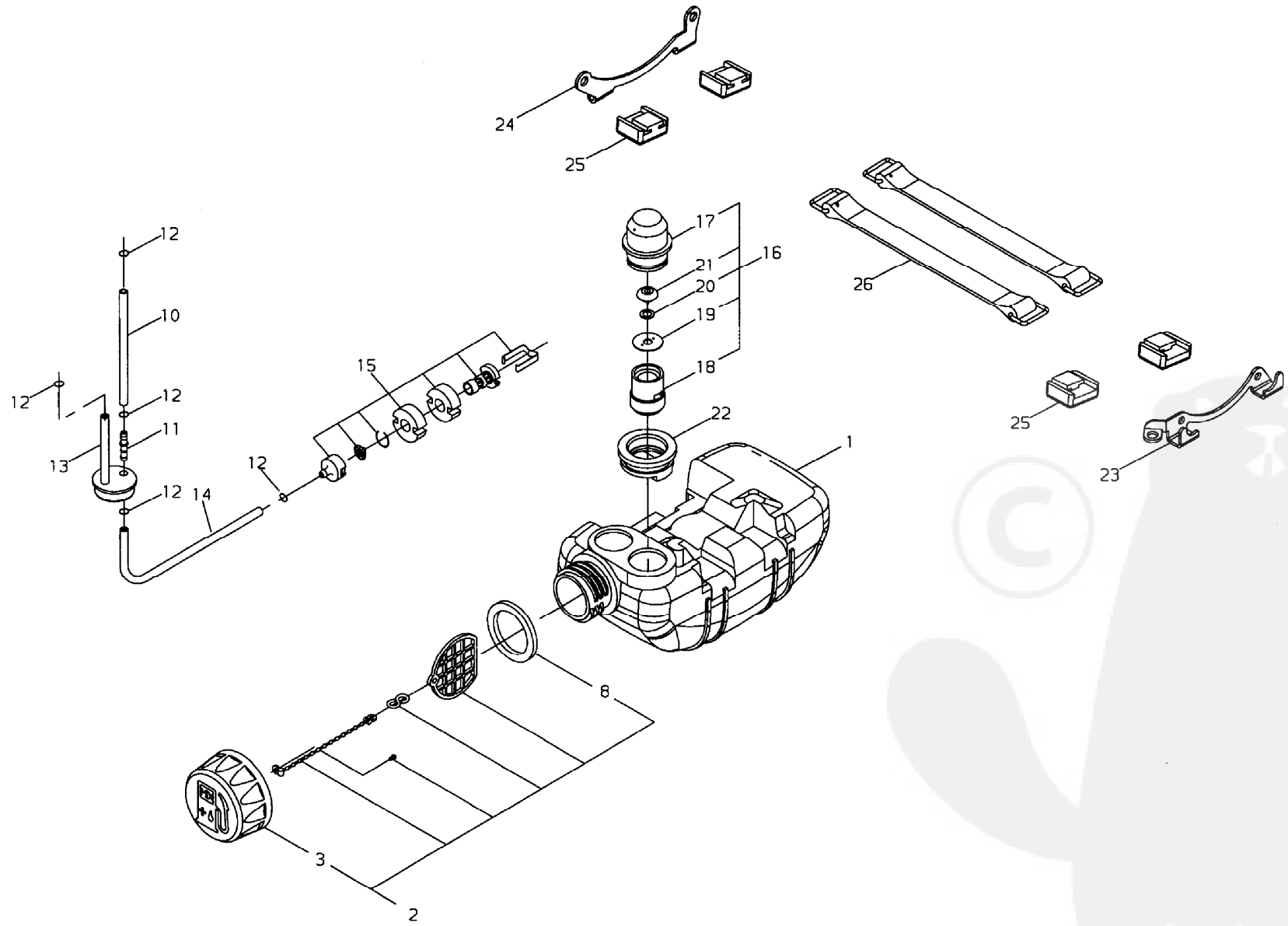


6- 1	62102-81010	CABURETORASSY	1
2	20055-81120	*BODYCAP	1
3	20003-81140	*THROTTLESPRING	1
4	20000-81150	*SPRINGRECEIVE	1
5	20040-81430	*SPRING	1
6	20011-81451	*LEVER	1
7	20011-81460	*PIN	1
8	20000-81441	*NEEDLEVALVE	1
9	20011-81470	*SCREW	1
10	20087-81420	*PACKING	1
11	20087-81411	*CHECKVALVE	1
12	70200-81430	*PLATE	1
13	20011-81470	*SCREW	1
14	20087-81510	*GASKET	1
15	20087-81520	*DIAPHRAGM	1
16	20040-81680	*SPRING	2
17	20011-81630	*GASKET	2
18	20011-81621	*DIAPHRAGM	1
19	20087-81660	*PUMPVALVE	1
20	20087-81640	*PUMPBODY	1
21	20000-81650	*SCREW	4
22	20087-81550	*COVER	1
23	20087-81890	*PACKING	1
24	20087-81560	*PLATE	1
25	20087-81571	*CHECKVALVE	1
26	20087-81540	*GASKET	1
27	20087-81851	*SPRING	1
28	20087-81870	*SPRING	1
29	20087-81861	*VALVE	1
30	20087-81811	*PUMPBASE	1
31	20087-81820	*PUMP	1
32	20087-81830	*PLATE	1
33	20087-81840	*SCREW	1
34	20087-81880	*SCREW	4
35	62102-81320	*JETNEEDLE	1
36	70131-81180	*THROTTLEVALVE	1
37	20000-81310	*SLOWSTOPSCREW	1
38	72920-81820	*SPRING	1
39	62102-81330	*MAINADJSCREW	1
40	20011-81360	*SPRING	1
41	20055-81810	*CABLEADJUSTER	1
42	20000-81260	*LOCKNUT	1
43	70107-81830	*ADJUSTPIPE	1
44	20055-81130	*CAP	1
45	70102-81710	CLEANERBODY	1
46	20056-81740	FILTER	1
47	11207-04250	SCREWPMPLPW	2
48	20060-81761	CLEANERCOVERCOMP	1

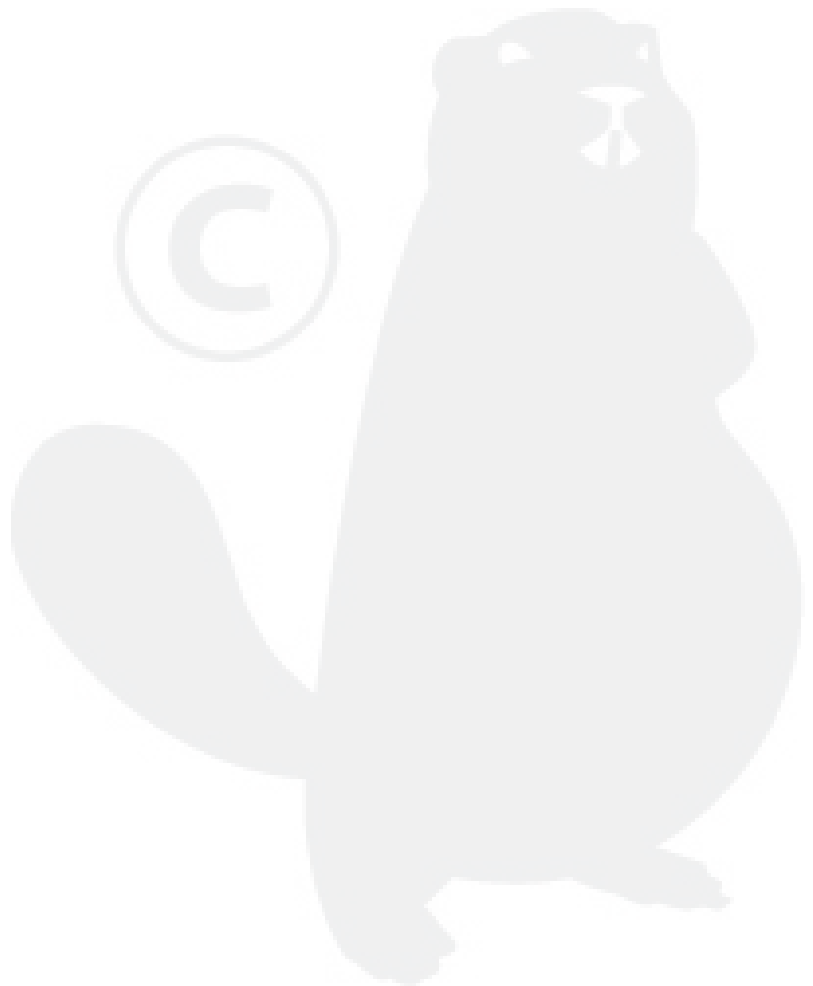


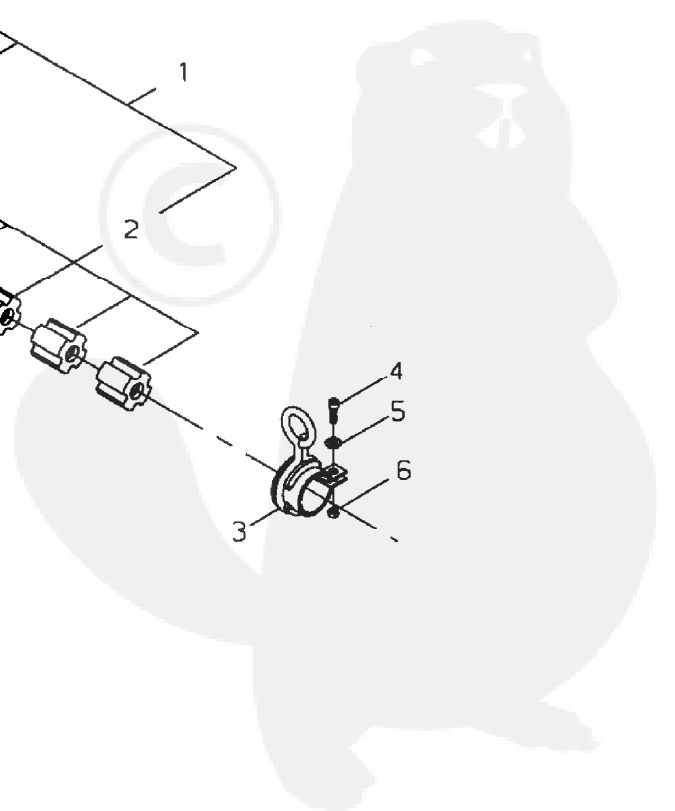
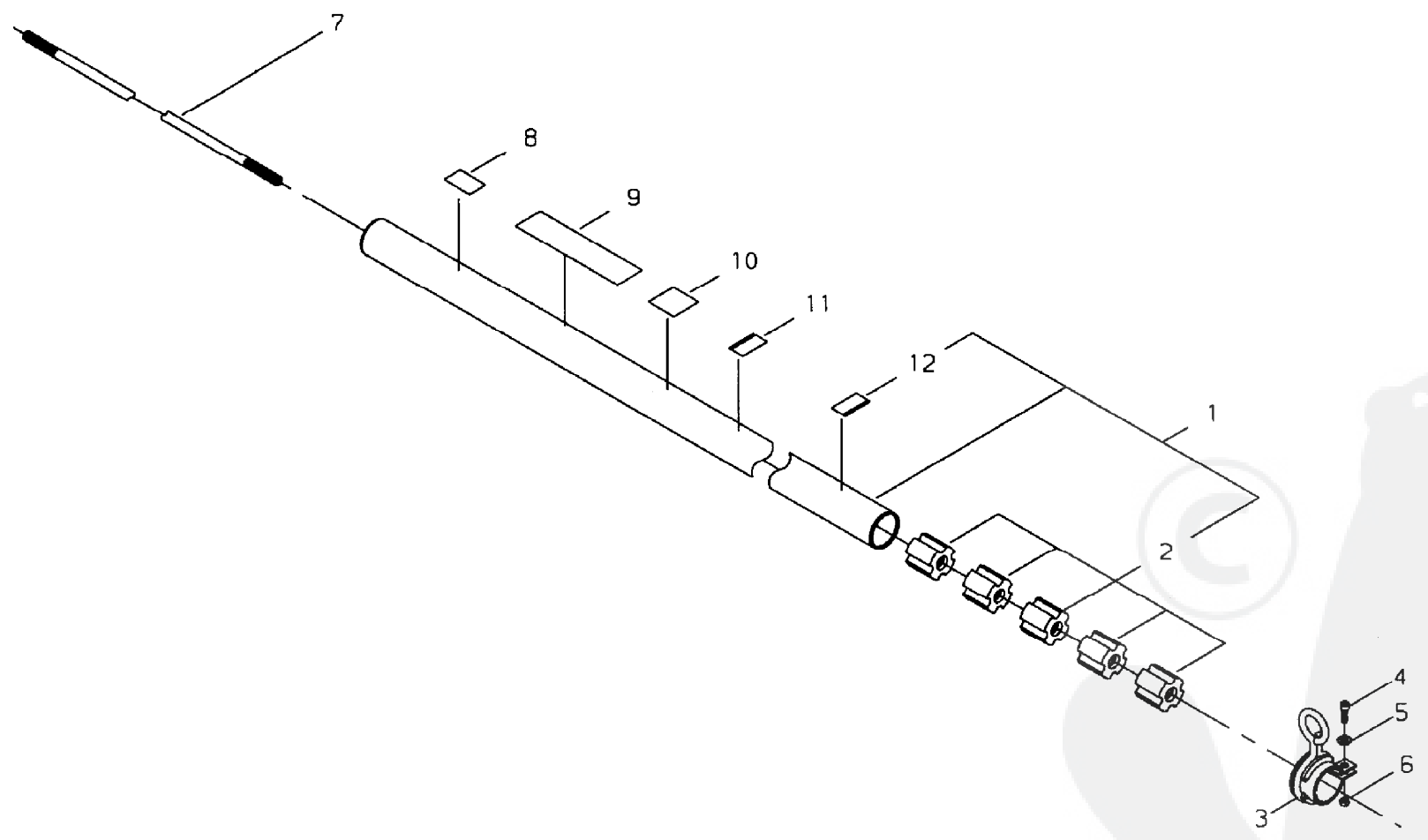
49	20060-81770	*CLEANERCOVER	1
50	20060-81781	*KNOBCLEANERCOVER	1
51	22100-82430	*ORING	1
52	20024-81790	*CONEWASHER	1
53	19404-00008	LABELCHOKE	1
54	19404-00010	LABELCARBURETOR	1
55	11022-05550	BOLTSW	2
56	20011-83411	GASKETCARBURETOR	1
57	20060-83180	PIPE	1
58	20005-83160	CABLECAP	1





7- 1	70200-85110	FUELTANK	1
2	70168-85201	FUELCAPASSY	1
3	70168-85210	*FUELCAP	1
8	20000-85221	*GASKET	1
10	70200-85310	FUELPIPE	1
11	72935-85330	JOINT	1
12	20020-85540	CLIP	5
13	70200-85350	GROMMET	1
14	70200-85320	FUELPIPE	1
15	22169-35400	FUELFILTERSUBASSY	1
16	20000-85500	BREATHERSUBASSY	1
17	20000-85511	*CAPBREATHER	1
18	20000-85521	*HOLDERVERVALVE	1
19	22100-85240	*RETAINERFUEL	1
20	22100-85250	*WASHERFUEL	1
21	22100-85260	*VALVEFUEL	1
22	20000-85579	GROMMETBREATHER	1
23	20021-86110	BRACKETS	1
24	20011-86120	BRACKETM	1
25	20010-86130	CUSHION	4
26	20010-86140	BAND	2

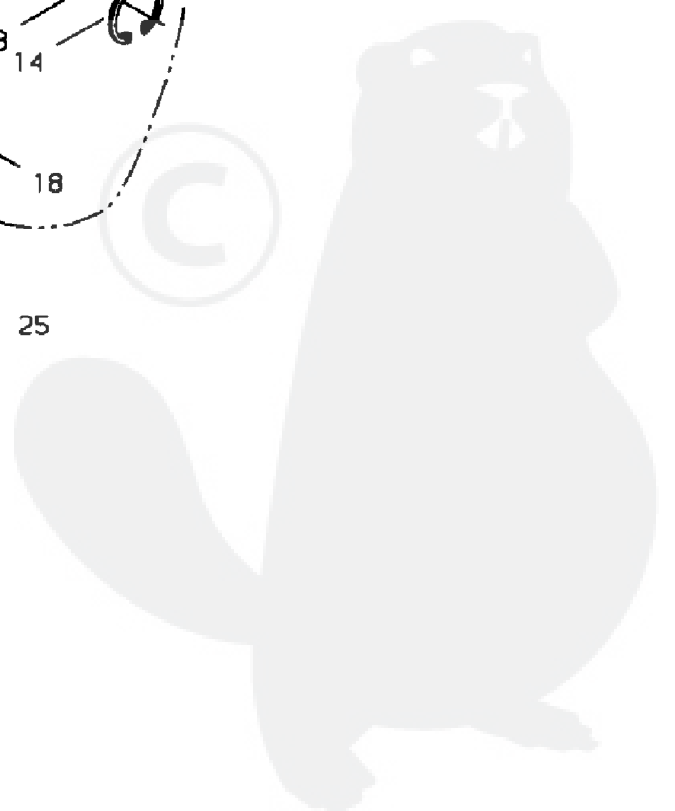
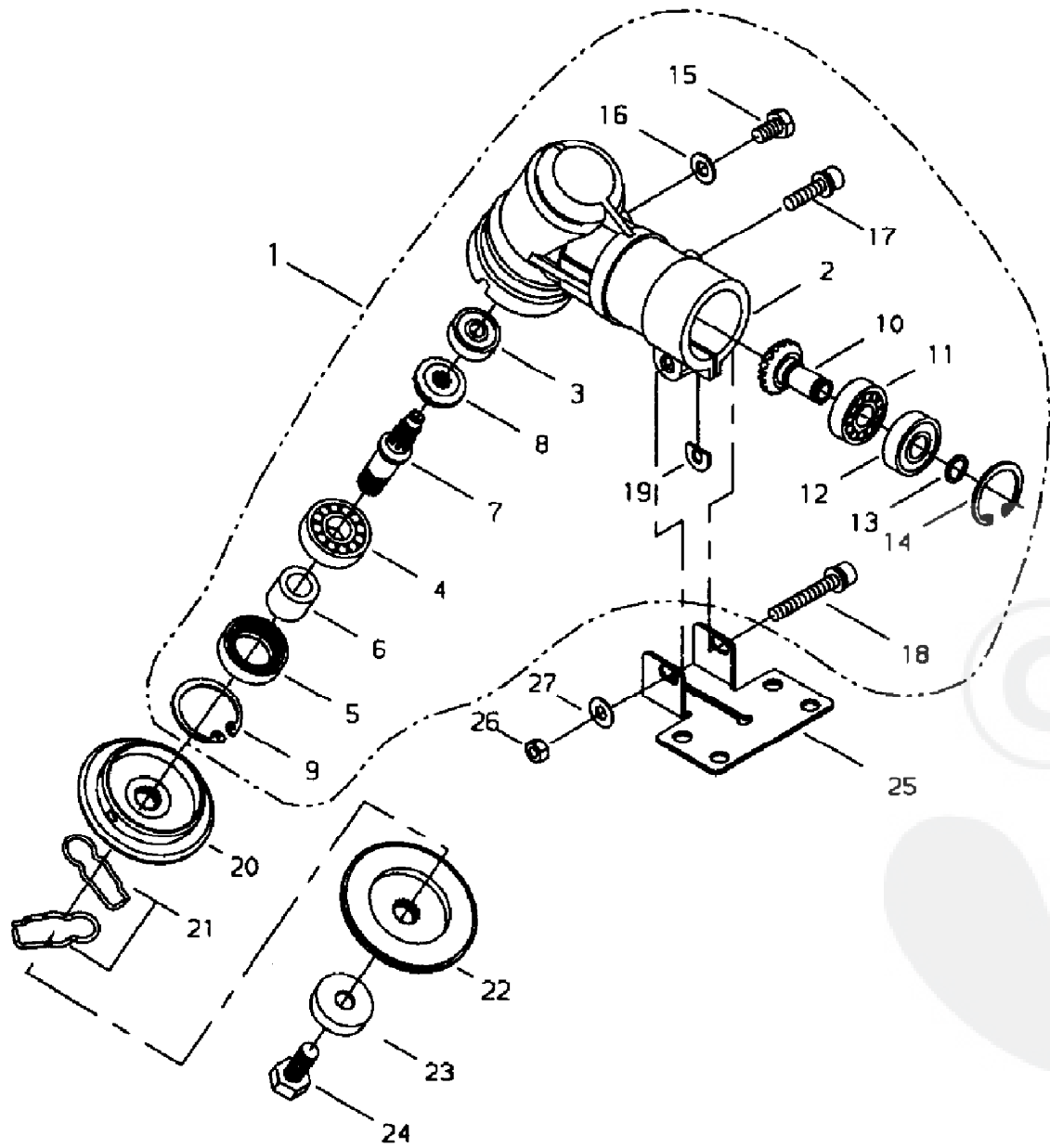




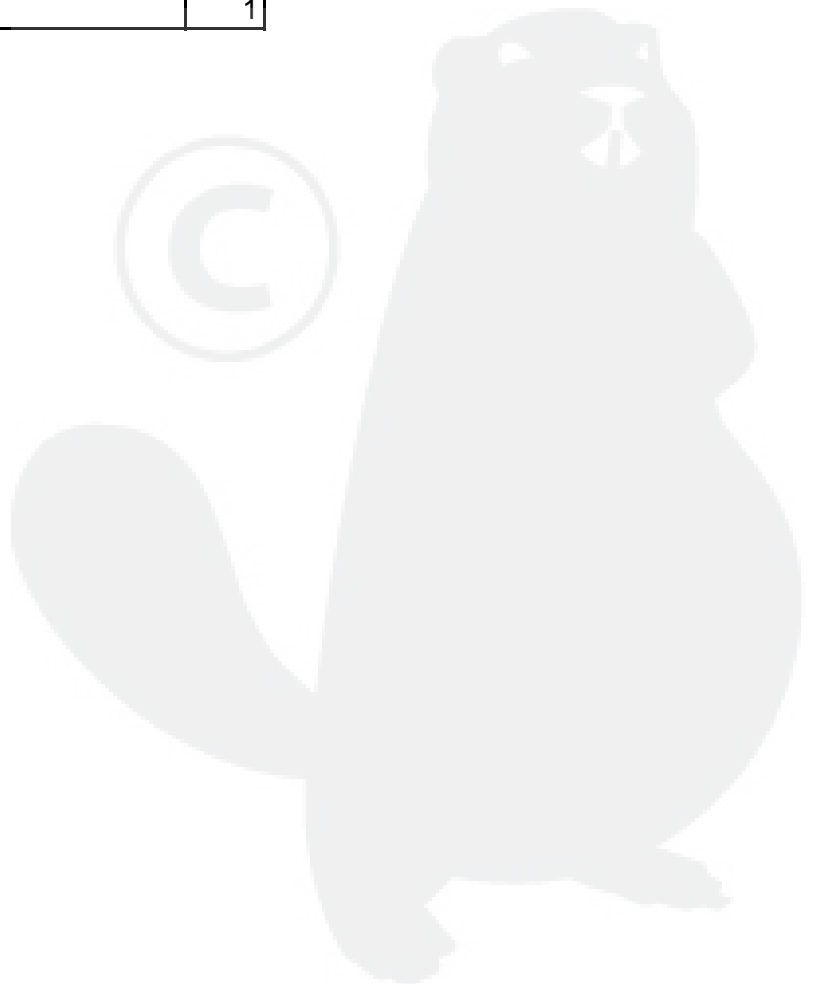
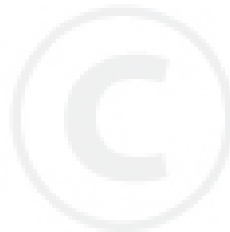


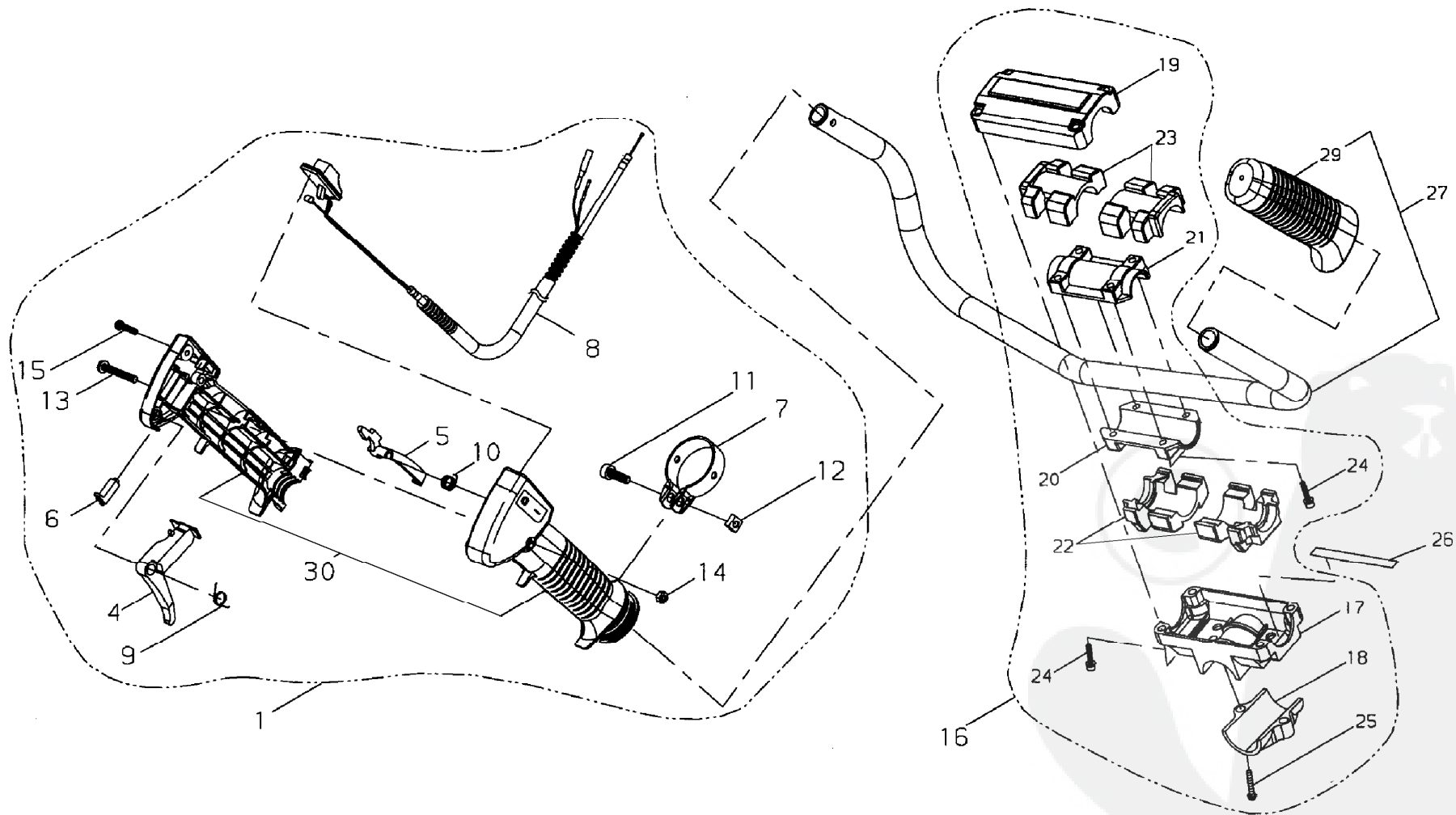
8- 1	72540-12102	OUTERPIPESUBASSY	1
2	22015-12120	*BUSHING	5
12	72005-12140	*CAUTIONPLATE	1
3	22017-12210	HANGER	1
4	01020-05120	BOLT	1
5	01600-05131	SPRINGWASHER	1
6	01500-05041	NUT	1
7	72540-12410	MAINSHAFT	1
8	19402-00223	LABELCAUTION	1
9	19422-00010	LABELCAUTION	1
10	19404-00040	LABELDECIBEL	1
11	72017-12150	HANDLELABEL	1



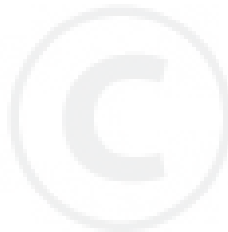


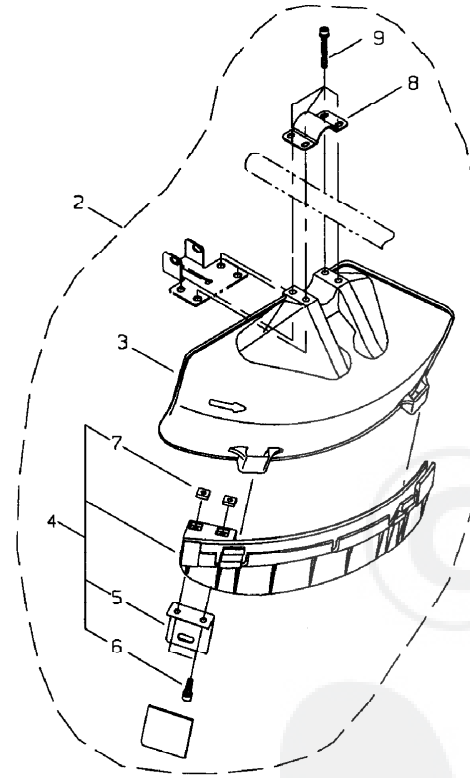
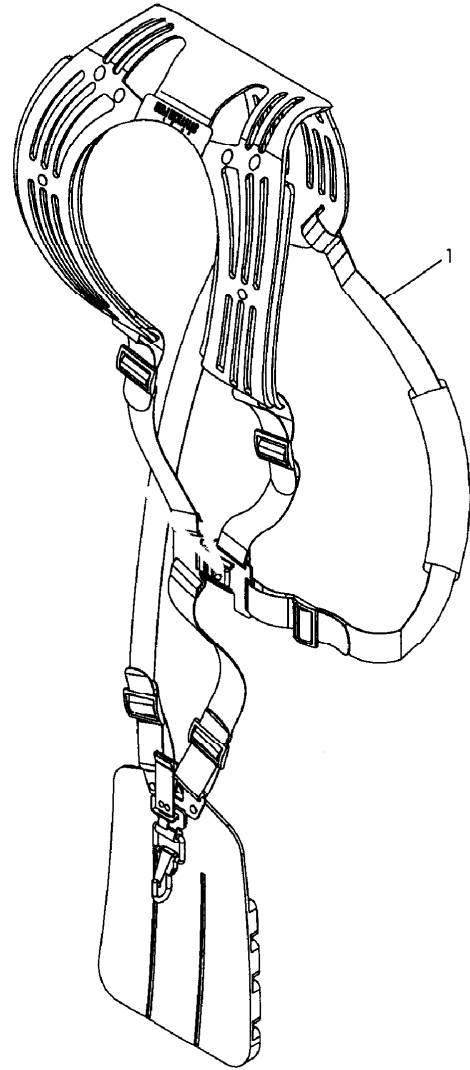
9- 1	63020-63020	GEARCASESUBASSY	1
2	63020-63110	*GEARCASE	1
3	02006-06000	*BEARING	1
4	02000-06202	*BEARING	1
5	72447-13121	*OILSEAL	1
6	22015-13230	*COLLAR	1
7	63019-63130	*GEARSHAFT	1
8	22015-13220	*BEVELGEAR	1
9	02432-35150	*SNAPRING	1
10	22021-13390	*PINIONSET	1
11	02000-06001	*BEARING	1
12	02002-06001	*BEARING	1
13	20000-31140	*SNAPRING	1
14	02432-28120	*SNAPRING	1
15	22015-13410	*BOLT	1
16	22015-13420	*GASKET	1
17	11022-06140	*BOLTSPW	1
18	11022-06400	*BOLTSPW	1
19	22011-13450	*SHIM	1
20	72447-13240	HOLDERA	1
21	22015-13290	SLIDEPIN	2
22	63020-63171	HOLDER	1
23	22015-13270	BOLTGUARD	1
24	63019-63310	BOLT	1
25	72017-16130	LOWERCLAMP	1
26	01500-06051	NUT	1
27	01613-06100	WASHER	1





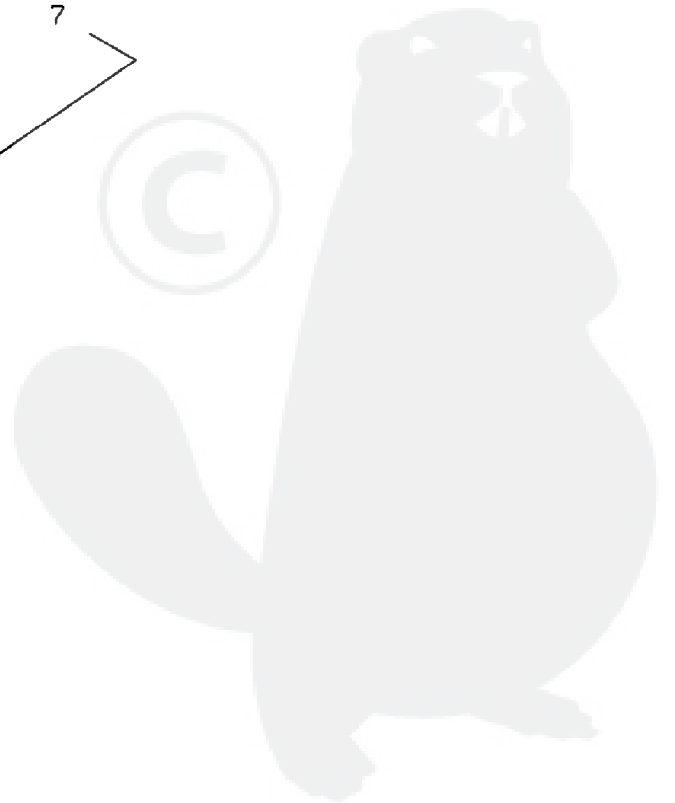
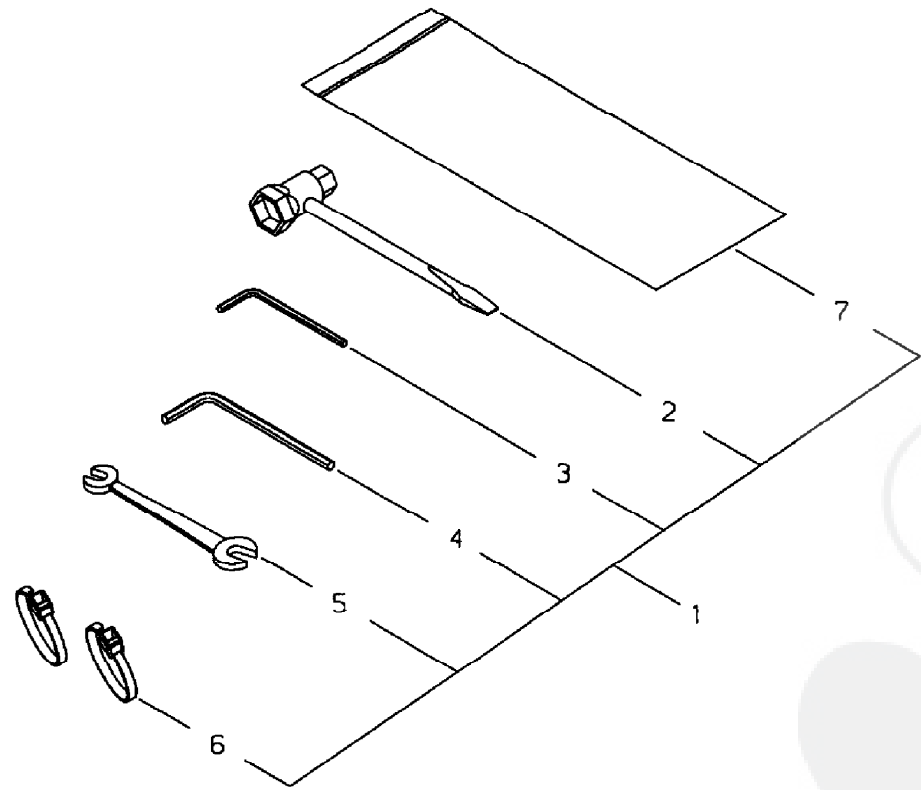
10- 1	72451-14502	THROTTLELEVERASSY	1
30	72451-14600	*BODYSUBASSY	1
4	72451-14530	*LEVER	1
5	72451-14540	*LOCKLEVER	1
6	72451-14550	*BUTTON	1
7	72451-14560	*CLAMP	1
8	72451-14570	*THROTTLECABLECOMP	1
9	72451-14580	*RETURNSPRING	1
10	72451-14590	*SPRING	1
11	01020-06200	*BOLT	1
12	72451-14610	*NUT	1
13	11203-05351	*SCREWPM	1
14	72451-14630	*NUT	1
15	72451-14620	*SCREWTAPPING	1
16	72555-14100	BRACKETCOMP	1
17	72555-14110	*HANDLEBRACKET	1
18	72555-14120	*LOWERCAP	1
19	72555-14130	*UPPERCAP	1
20	22015-14140	*LOWERCLAMP	1
21	22015-14150	*UPPERCLAMP	1
22	22015-14160	*LOWERCUSHION	2
23	22015-14170	*UPPERCUSHION	2
24	11022-05250	*BOLTSPW	8
25	11210-06250	*SCREWBUTTON	2
26	72514-14190	EARTHCORD	1
27	72540-14201	HANDLESUBASSY	1
29	72451-14320	*GRIP	1





11- 1	72451-17203	HARNESSASSY	1
2	64008-66310	GUARDSET	1
3	62903-66110	*GUARD	1
4	62903-66331	*SUBGUARDASSY	1
5	72480-16121	**CUTTER	1
6	11020-05160	**BOLTSW	2
7	22420-16120	**NUT	2
8	72480-16210	*UPPERCLAMP	1
9	11022-05450	*BOLTSPW	4







12- 1	72528-91001	TOOLSET	1
2	22000-91181	*PLUGWRENCH	1
3	09026-04001	*HEXAWRENCH5MM	1
4	09026-05001	*HEXAWRENCH6MM	1
5	22000-91120	*SPANNER	1
6	72431-12190	*BAND	2
7	19639-01400	*TOOLBAG	1



